

INTERCONNECTS

Connectors

AC Power Connectors

Power Cords, Power Entry Modules, Power Filters, Power Outlets and Inlets	
Kobiconn	1145
Qualtek Electronics	1146, 1147
Corcom / TE Connectivity	1148, 1149, 1150
Schaffner	1151
Schurter	1152, 1153

DC Power Connectors

Kycon	1154
Switchcraft	1155, 1156

Audio / Video Connectors

Audio Connectors, Adapters, Banana, DIN, Phone, Phono, and XLR	
Deltron	1157
Johnson Components / Emerson	1158, 1159
Kycon	1160, 1161
Switchcraft	1162, 1163, 1164, 1165

RF Connectors

AMP / TE Connectivity	1166, 1167, 1168
Amphenol	1169, 1170, 1171, 1172, 1173, 1174, 1175
Bomar Interconnect	1176
Hirose Connector	1177, 1178
Johnson Components/ Emerson	1179, 1180, 1181, 1182, 1183

Data / Network / Telecom Connectors

Modular, SFP+, DisplayPort, USB, HDMI and Fiber	
AMP / TE Connectivity	1184, 1185, 1198, 1202, 1207, 1213
Amphenol	1186, 1200, 1209, 1210, 1211, 1212
Corcom / TE Connectivity	1187
Molex	1188, 1191, 1196, 1197, 1203, 1204, 1205, 1206, 1216
ADAM TECH	1189
EDAC	1189
Mill-Max	1189
Kycon	1190
3M	1192
Hirose Connectors	1193, 1194
JAE Electronics	1195
Spectrum Control	1199
Fujitsu	1201
HARTING	1208
CONEC	1214, 1215, 1218

Phoenix Contact	1217, 1218
Aim-Cambridge / Emerson	1218

Photovoltaic (Solar)

Molex	1219
TE Connectivity	1220, 1221

"D" Connectors

D Sub Connectors, Adapters and Hoods	
AMP / TE Connectivity	1222, 1223, 1224, 1225, 1226, 1227, 1228
Amphenol	1229, 1230
CONEC	1231, 1232
FCI	1233
FCT Electronics	1234, 1235, 1236
Kycon	1237
NorComp	1238, 1239, 1240, 1241, 1242, 1243
Spectrum Control	1244

Circular Connectors

AMP / TE Connectivity	1245, 1246, 1247, 1248
Amphenol	1249, 1250, 1251, 1252
Bulgin	1253, 1254
Harwin	1255
CONXALL	1256
Hirose Connector	1257, 1258, 1259, 1260
Kycon	1261
Phoenix Contact	1262, 1263, 1264
Souriau	1265
Switchcraft	1266

Lighting Connectors

AVX	1267, 1268
TE Connectivity	1269, 1270, 1271

Memory Card Connectors

ALPS	1272
JAE Electronics	1273
Hirose Connector	1274
Molex	1275

Backplane / Card Edge

AMP / TE Connectivity	1276, 1277, 1278, 1279
EDAC	1280
FCI	1281, 1282, 1283
HARTING	1284, 1285, 1286, 1287
Molex	1288, 1289, 1290

Automotive Connectors

Amphenol	1291
FCI	1292
JAE Electronics	1293

Molex	1294
-------	------

Power Connectors

Amphenol	1295
Anderson Power Products	1296, 1297, 1298
HARTING	1299

Rectangular Connectors

Headers/Receptacles, Housings, Pin and Socket

3M	1300, 1301, 1302, 1303, 1304, 1305, 1306
AMP / TE Connectivity	1307, 1308, 1309, 1310, 1311, 1312, 1313, 1314, 1315, 1316, 1317, 1318, 1319, 1320, 1321, 1322, 1323, 1324, 1325, 1326, 1327, 1328
FCI	1329, 1330, 1331, 1332, 1333, 1334, 1335, 1336
Harwin	1337, 1338, 1339, 1340, 1341, 1342
Hirose Connector	1343, 1344, 1345, 1346, 1347, 1348, 1349, 1350, 1351, 1352, 1353, 1354
JAE Electronics	1355, 1356, 1357, 1358
Molex	1359, 1360, 1361, 1362, 1363, 1364, 1365, 1366, 1367, 1368, 1369, 1370, 1371, 1372, 1373, 1374, 1375, 1376, 1377, 1378, 1379, 1380, 1381, 1382, 1383, 1384, 1385, 1386, 1387, 1388, 1389, 1390, 1391, 1392, 1393, 1394

Sockets

Component and Test Sockets

3M	1395
Aries	1396, 1397
AMP / TE Connectivity	1398
Harwin	1399
Mill-Max	1400, 1401, 1402, 1403

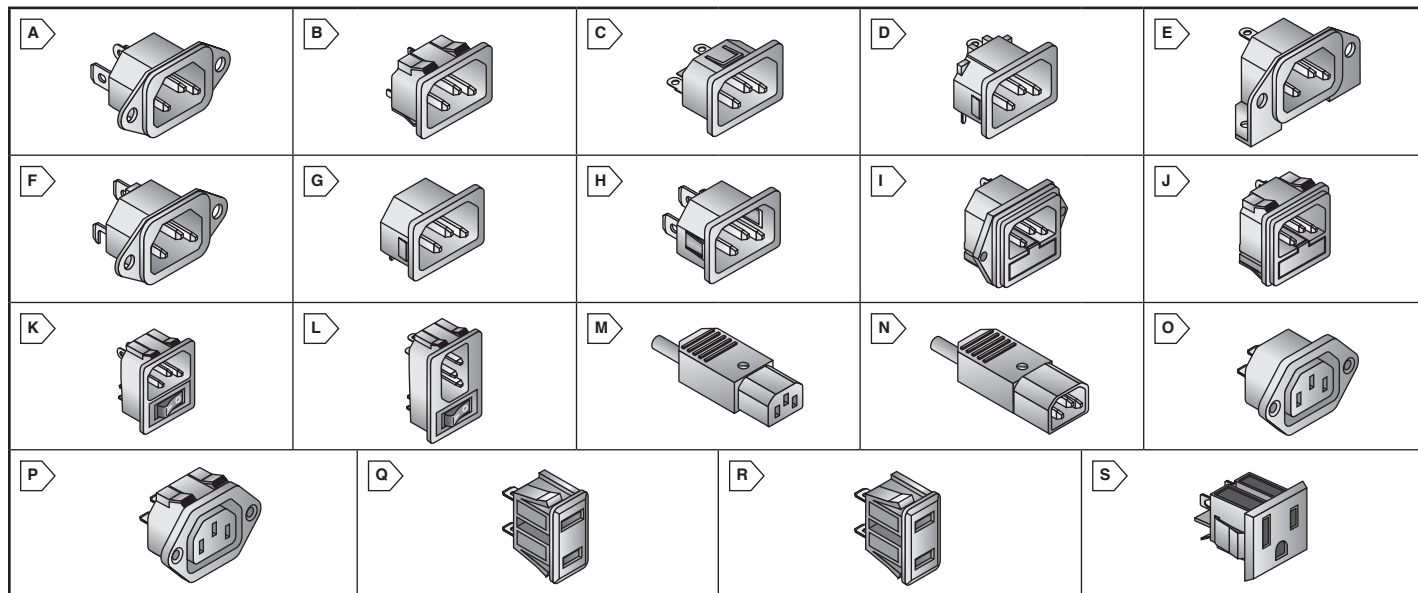
Terminals

AMP / TE Connectivity	1404, 1405, 1406
Keystone Electronics	1407, 1408
Molex	1409, 1410, 1411, 1412
Phoenix Contact	1413

Terminal Blocks

Pluggable, Barrier, PCB, and DIN Rail

AMP / TE Connectivity	1414
Phoenix Contact	1415, 1416, 1417, 1418, 1419, 1420, 1421, 1422, 1423, 1424, 1425, 1426, 1427, 1428, 1429, 1430, 1431, 1432, 1433, 1434, 1435



Common Features:

- Fuse Not Included
- RoHS Compliant



RoHS Compliant

IEC 60320 C14 INLETS

For quantities greater than listed, call for quote.

MOUSER STOCK NO.	Kobiconn Part No.	Fig.	Rating	Insulation Resistance	Mounting Type	Body Material	Price Each			
							1	10	100	500
161-R30148-E	R-301(48)	A	10A 250VAC	Over 100MΩ at 500VDC	Screw/Solder	Black Glass-Fiber Thermoplastic	1,61	1,46	1,33	1,21
161-R301SN-E	R-301SN(00)	B	15A 250VAC	Over 100MΩ at 500VDC	Screw/Solder	Nylon 66	0,55	0,502	0,458	0,414
161-R301SN01-E	R-301SN(01)	C	10A 250VAC	Over 100MΩ at 500VDC	Screw/Solder	Nylon 66	0,68	0,616	0,563	0,51
161-R301SN13-E	R-301SN(13)	D	10A 250VAC	Over 100MΩ at 500VDC	Snap On/PCB	Nylon 66	0,71	0,651	0,59	0,537
161-R3019013-E	R-30190(13)	E	10A 250VAC	Over 100MΩ at 500VDC	Screw/Solder	Black Glass-Fiber Thermoplastic	0,85	0,774	0,704	0,642
161-R301B07-E	R-301(B07)	F	10A 250VAC	Over 100MΩ at 500VDC	Snap On/PCB	Black Glass-Fiber Thermoplastic	0,98	0,889	0,686	0,528
161-R301SNC01-E	R-301SN(C01)	G	10A 250VAC	Over 100MΩ at 500VDC	Snap On/PCB	Black Glass-Fiber Nylon 66	0,71	0,651	0,59	0,537
161-R301SNC04-E	R-301SN(C04)	H	10A 250VAC	Over 100MΩ at 500VDC	Screw/Solder	Black Glass-Fiber Nylon 66	0,84	0,757	0,581	0,449

INLETS WITH FUSE HOLDERS

• Suitable for 5x20mm Fuse

For quantities greater than listed, call for quote.

MOUSER STOCK NO.	Kobiconn Part No.	Fig.	Rating	Insulation Resistance	Mounting Type	Body Material	Price Each			
							1	10	100	500
161-R3013-E	R-3013	I	10A 250VAC	Over 100MΩ at 500VDC	Screw/Solder	P.B.T.	1,76	1,60	1,45	1,32
161-R3014-E	R-3014	J	10A 250VAC	Over 100MΩ at 500VDC	Snap On/Solder	Nylon 66	1,76	1,60	1,45	1,32

INLETS / OUTLETS

For quantities greater than listed, call for quote.

MOUSER STOCK NO.	Kobiconn Part No.	Fig.	Rating	Insulation Resistance	Mounting Type	Body Material	Price Each			
							1	10	100	500
161-R30161-E	R-301SN(61)	K	15A 250VAC	Over 100MΩ at 500VDC	Solder/Snap on Panel	Thermoplastic	2,02	1,83	1,66	1,51
161-R301B12-E	R-301SN(B12)	L	10A 250VAC	Over 100MΩ at 500VDC	Solder/Snap on Panel	Black Glass Fiber Thermoplastic	1,78	1,62	1,47	1,34

CABLE CONNECTORS

For quantities greater than listed, call for quote.

MOUSER STOCK NO.	Kobiconn Part No.	Fig.	Rating	Insulation Resistance	Mounting Type	Body Material	Price Each			
							1	10	100	500
Outlet										
161-R332-E	R-332	M	10A 250VAC	Over 100MΩ at 500VDC	3 Wire Plug	Thermoplastic	2,49	2,26	2,06	1,87
Inlet										
161-R331-E	R-331	N	10A 250VAC	Over 100MΩ at 500VDC	3 Wire Plug	Thermoplastic	2,49	2,26	2,06	1,87

IEC 60320 C13 OUTLETS

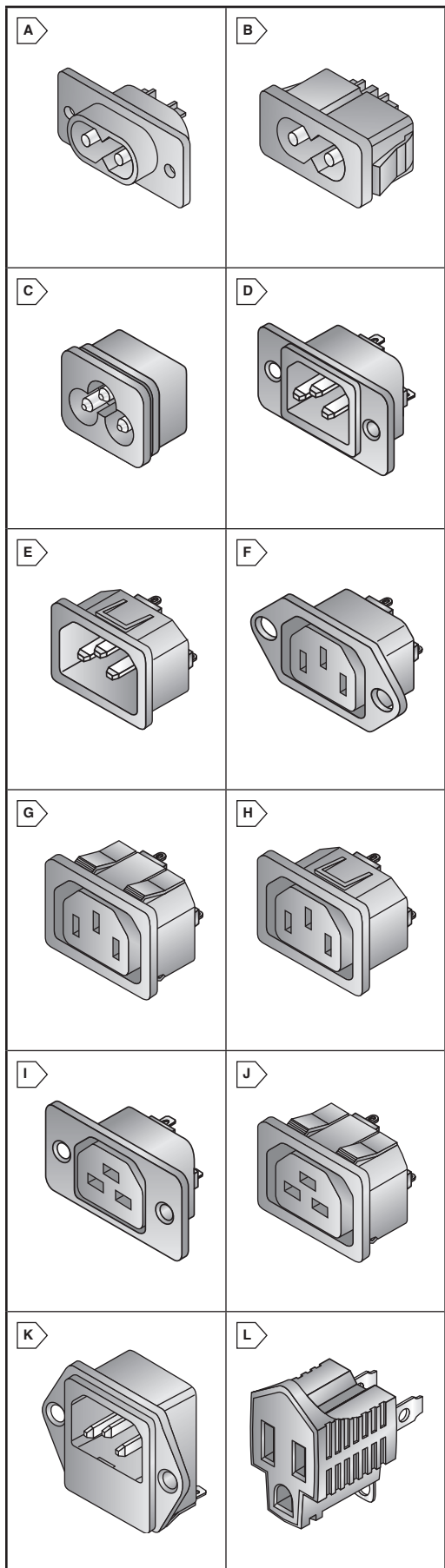
For quantities greater than listed, call for quote.

MOUSER STOCK NO.	Kobiconn Part No.	Fig.	Rating	Insulation Resistance	Mounting Type	Body Material	Price Each			
							1	10	100	500
161-R30200-E	R-302(00)	O	10A 250VAC	Over 100MΩ at 500VDC	Screw/Solder	P.B.T.	0,55	0,493	0,449	0,405
161-R302SN-E	R-302SN(00)	P	10A 250VAC	Over 100MΩ at 500VDC	Snap/Solder	Nylon 66	0,77	0,695	0,634	0,572

NEMA OUTLETS

For quantities greater than listed, call for quote.

MOUSER STOCK NO.	Kobiconn Part No.	Fig.	Rating	Insulation Resistance	Mounting Type	Body Material	Price Each			
							1	10	100	500
161-RU0298-E	RU-02(98)	Q	15A 125VAC	Over 100MΩ at 500VDC	Snap/Solder	Nylon 66	0,48	0,44	0,396	0,361
161-RU0299-E	RU-02(99)	R	15A 125VAC	Over 100MΩ at 500VDC	Snap/Solder	Nylon 66	0,48	0,44	0,396	0,361
161-RU0200-E	RU-02(00)	S	15A 125VAC	Over 100MΩ at 500VDC	Snap/Solder	Nylon 66	0,55	0,493	0,449	0,405



LOW CURRENT INLET IEC 320-C6/C8

Male low current inlet with snap-in and screw mount version.

Features:

- Max Rating: 2.5A/250VAC

* Universal snap-in feature to fit 0.6mm; 1.5mm panel thickness



For quantities greater than listed, call for quote.

MOUSER STOCK NO.	Qualtek Part No.	Fig.	Description	Terminals	Price Each			
					1	10	25	50
562-77001	770W-00/01	A	Screw Mount	Solder Tab	0,69	0,603	0,554	0,512
562-77101	771W-X2/01	B	Snap-in Mount *	Solder Tab	0,54	0,479	0,421	0,371
562-77102	771W-X2/02	B	Snap-in Mount *	PCB Mount	0,81	0,701	0,644	0,601
562-771W-CX2/01	771W-CX2/01	C	Snap-in Mount *	Solder Tab	0,89	0,817	0,754	0,70

AC POWER INLETS IEC 320-C20

Male power outlets include snap-in and screw mount types.

Features:

- Max Rating: UL & CSA 20A/250VAC - VDE 16A/250VAC

† Panel thickness: 1.5mm (1.0, 2.0, 2.5, & 3.0 are also available)



For quantities greater than listed, call for quote.

MOUSER STOCK NO.	Qualtek Part No.	Fig.	Description	Terminals	Price Each			
					1	10	25	50
562-744W-001	744W-00/01	D	Screw Mount	Solder Tab	0,64	0,578	0,528	0,503
562-744W-003	744W-00/03	D	Screw Mount	.187 QD/Solder	0,67	0,609	0,557	0,53
562-744W-00/04	744W-00/04	D	Screw Mount	.250 Q.D.	0,73	0,685	0,638	0,611
562-745W-1505	745W-15/05	E	Snap-in Mount †	Solder Tab	0,62	0,586	0,553	0,528
562-745W-1507	745W-15/07	E	Snap-in Mount †	.187 QD/Solder	0,66	0,639	0,575	0,521
562-745W-1508	745W-15/08	E	Snap-in Mount †	.250 QD/Solder	0,66	0,611	0,578	0,512

AC POWER OUTLETS IEC 320-C13

Female power outlets available in screw or snap-in mounting.

Features:

- Max Rating: UL & CSA 15A/250VAC - VDE 10A/250VAC

* Universal snap-in feature to fit 0.8mm; 2.0mm panel thickness

† Panel thickness: 1.5mm (1.0, 2.0, 2.5, & 3.0 are also available)



For quantities greater than listed, call for quote.

MOUSER STOCK NO.	Qualtek Part No.	Fig.	Description	Terminals	Price Each			
					1	10	25	50
562-710W-00/01	710W-00/01	F	Screw Mount	Solder Tab	0,45	0,38	0,357	0,309
562-710W-00/02	710W-00/02	F	Screw Mount	.187 QD/Solder	0,83	0,701	0,66	0,594
562-710W-00/03	710W-00/03	F	Screw Mount	.250 Q.D.	0,36	0,347	0,338	0,33
562-716W-X2/02	716W-X2/02	G	Snap-in Mount **	.187 QD/Solder	0,68	0,634	0,585	0,527
562-716W-X2/03	716W-X2/03	G	Snap-in Mount **	.250 Q.D.	0,83	0,747	0,666	0,603
562-716W-1505	716W-15/05	H	Snap-in Mount †	Solder Tab	0,72	0,644	0,594	0,561
562-716W-1510	716W-15/10	H	Snap-in Mount †	.187 QD/Solder	0,75	0,718	0,701	0,66
562-716W-1515	716W-15/15	H	Snap-in Mount †	.250 Q.D.	0,75	0,677	0,627	0,586

LOW CURRENT OUTLET IEC 320-C19

Female power outlets available in screw or snap-in mounting.

Features:

- Max Rating: UL & CSA 20A/250VAC - VDE 16A/250VAC

† Panel thickness: 1.5mm (1.0, 2.0, 2.5, & 3.0 are also available)



For quantities greater than listed, call for quote.

MOUSER STOCK NO.	Qualtek Part No.	Fig.	Description	Terminals	Price Each			
					1	10	25	50
562-743W-00/02	743W-00/02	I	Screw Mount	.187 QD/Solder	0,96	0,875	0,809	0,757
562-743W-00/03	743W-00/03	I	Screw Mount	.250 Q.D.	0,99	0,891	0,825	0,759
562-746W-1508	746W-15/08	J	Snap-in Mount †	.250 Q.D.	1,10	0,998	0,842	0,795

INLET W/VOLTAGE SELECTOR & FUSEHOLDER IEC 320-C14

Male power inlet with fuseholder and voltage selector switch. (Accepts 5 x 20mm fuse)

Features:

- Voltage selector switch adapts to 110V or 240V.



For quantities greater than listed, call for quote.

MOUSER STOCK NO.	Qualtek Part No.	Fig.	Description	Terminals	Price Each			
					1	10	25	50
562-755-00/28	755-00/28	K	Screw Mount	Solder Tab	3,21	2,87	2,64	2,41

AC ADAPTER

Features:

- NEMA 5-15R



For quantities greater than listed, call for quote.

MOUSER STOCK NO.	Qualtek Part No.	Fig.	Description	Price Each			
				1	10	25	50
562-738W-E-01	738W-E-01	L	3 Prong / 2 Prong - Wall Plug	0,96	0,866	0,71	0,627

QUALTEK AC Power Receptacles

AC POWER INLETS IEC 320 - C14

Male low current inlet with snap-in and screw mount version.

• Max. Rating: UL & CSA 15A/250VAC - VDE 10A/250VAC

* Universal snap-in feature to fit .08mm - 2.0mm panel thickness.

** Panel thickness 1.5mm

† Do not have countersunk holes

†† Have countersunk holes



RoHS Compliant

For quantities greater than listed, call for quote.

MOUSER STOCK NO.	Qualtek Part No.	Fig.	Description	Terminals	Price Each			
					1	10	25	50
* 562-701W-X2/02	701W-X2/02	A	Snap-In Mount	Solder Tab	0,51	0,495	0,479	0,462
* 562-701W-X2/03	701W-X2/03	A	Snap-In Mount	.187 Q.D./Solder	0,54	0,446	0,421	0,396
* 562-701W-X2/04	701W-X2/04	A	Snap-In Mount	.250 Q.D.	0,51	0,446	0,421	0,396
** 562-701W-15/21	701W-15/21	B	Snap-In Mount	Solder Tab	0,52	0,495	0,454	0,437
** 562-701W-15/26	701W-15/26	B	Snap-In Mount	.187 Q.D./Solder	0,62	0,561	0,446	0,38
** 562-701W-15/31	701W-15/31	B	Snap-In Mount	.250 Q.D.	0,64	0,602	0,569	0,536
† 562-703W-00/02	703W-00/02	C	Screw Mount	Solder Tab	0,66	0,602	0,586	0,536
† 562-703W-00/03	703W-00/03	C	Screw Mount	.187 Q.D./Solder	0,56	0,536	0,52	0,495
† 562-703W-00/04	703W-00/04	C	Screw Mount	.250 Q.D.	0,64	0,627	0,611	0,594
†† 562-703W-00/06	703W-00/06	C	Screw Mount	Solder Tab	0,74	0,619	0,594	0,561
†† 562-703W-00/07	703W-00/07	C	Screw Mount	.187 Q.D./Solder	0,62	0,594	0,578	0,561
†† 562-703W-00/08	703W-00/08	C	Screw Mount	.250 Q.D.	0,59	0,528	0,495	0,454

ANGLED INLET PCB MOUNT IEC 320 - C14

Male right angled PCB mount power inlet with 40mm mounting centers.

• Max. Rating: UL & CSA 15A/250VAC - VDE 10A/250VAC



RoHS Compliant

For quantities greater than listed, call for quote.

MOUSER STOCK NO.	Qualtek Part No.	Fig.	Description	Terminals	Price Each			
					1	10	25	50
562-703W-00/52	703W-00/52	D	PCB Mount - Round Pins	7 mm	1,05	0,998	0,965	0,916
562-703W-00/53	703W-00/53	E	PCB Mount - Flat Pins	7 mm	0,68	0,611	0,503	0,437
562-703W-00/54	703W-00/54	F	PCB Mount - Flat Pins	9 mm	0,62	0,569	0,503	0,479

POWER INLET WITH FUSEHOLDER IEC 320 - C14

Male power inlets with a fuseholder for single fuse.

• Max. Rating: UL & CSA 10A/250VAC - VDE 10A/250VAC



RoHS Compliant

For quantities greater than listed, call for quote.

MOUSER STOCK NO.	Qualtek Part No.	Fig.	Description	Terminals	Price Each			
					1	10	25	50
562-719W-00/02	719W-00/02	G	Screw Mount	Solder Tab	0,95	0,899	0,85	0,809
562-719W-00/03	719W-00/03	G	Screw Mount	.187 Q.D./Solder	1,44	1,35	1,30	1,27
562-719W-00/04	719W-00/04	G	Screw Mount	.250 Q.D.	0,85	0,80	0,759	0,726
562-723W-X2/02	723W-X2/02	H	Snap-In Mount	Solder Tab	1,44	1,35	1,30	1,26
562-723W-X2/03	723W-X2/03	H	Snap-In Mount	.187 Q.D./Solder	1,51	1,45	1,39	1,30
562-723W-X2/04	723W-X2/04	H	Snap-In Mount	.250 Q.D.	1,65	1,58	1,53	1,49

NEMA 1-15R, 5-15R, 5-20R POWER OUTLET

Snap-in outlets with quick disconnect and IDC terminals.

* Recommended for use with 12 or 14 AWG wire

◆ RoHS, CSA and UR approvals only

** Recommended for use with 16 or 18 AWG wire



RoHS Compliant

For quantities greater than listed, call for quote.

MOUSER STOCK NO.	Qualtek Part No.	Fig.	Description	Nema Type	Terminals	Max. Rating	Price Each			
							1	10	25	50
◆ 562-738W-CX2-01	738W-CX2/01	I	Snap-In Mount	1-15R	Q.D./Solder	15A/125VAC	0,79	0,701	0,578	0,512
* 562-738W-X2/03	738W-X2/03	J	Snap-In Mount	5-15R	Q.D./Solder	15A/125VAC	0,59	0,536	0,495	0,462
* 562-739W-X2/03	739W-X2/03	K	Snap-In Mount	5-15R	IDC	15A/125VAC	0,79	0,751	0,718	0,677
** 562-739W-X2/04	739W-X2/04	K	Snap-In Mount	5-15R	IDC	10A/125VAC	0,63	0,603	0,586	0,569
562-739W-X2/20	739W-X2/20	L	Snap-In Mount	1-15R	IDC	20A/125VAC	0,74	0,701	0,677	0,66

AC POWER PLUG ASSEMBLIES

Male and female rewirable plug connectors with straight and 90° angle cable entry.

Easily converts a power cord into a detachable power cordset.

• Max. Rating: UL, CSA, VDE 10A/250VAC

◆ UL, CSA approvals only



RoHS Compliant

For quantities greater than listed, call for quote.

MOUSER STOCK NO.	Qualtek Part No.	Fig.	Description	Terminals	Price Each			
					1	10	25	50
562-704-00/00	704-00/00	M	Straight Entry	Screw	2,85	2,73	2,62	2,53
562-705-00/00	705-00/00	N	Angled Entry	Screw	3,71	3,59	3,51	3,30
◆ 562-711-00/00	711-00/00	O	Angled Entry/Adjustable	Screw	5,59	5,42	5,25	5,09
562-712-00/00	712-00/00	P	Straight Entry	Screw	5,28	5,12	4,95	4,51
562-709-00/00	709-00/00	Q	Straight Entry	Screw	4,70	4,47	4,24	4,03

MULTI-FUNCTION MODULES IEC 320 - C14

Both snap-in and screw mount incorporates an IEC male power inlet, fuseholder and optional voltage selector and power switch.

• Max. Rating: UL & CSA 6A/250VAC; VDE 10A/250VAC

* Panel Thickness: 1.0-1.8mm

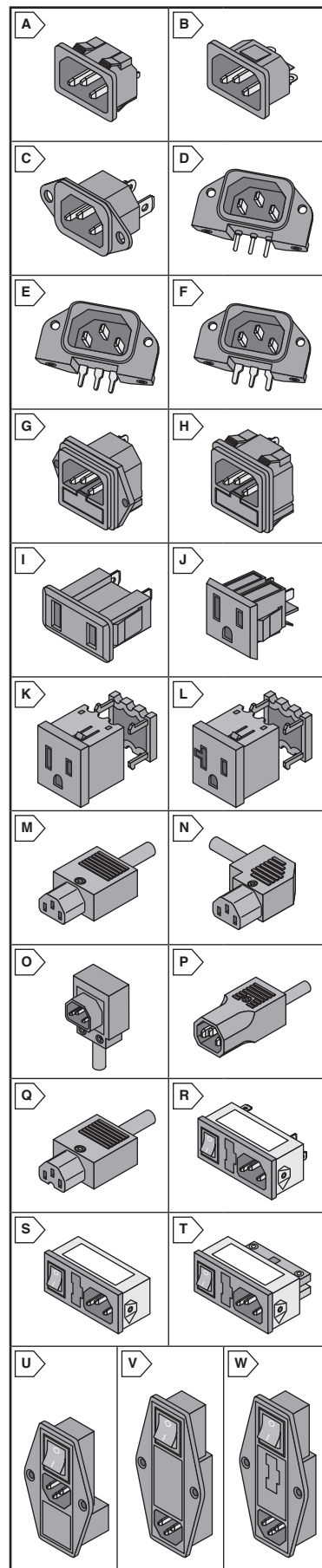
** Fuseholder for 5 x 20 (EURO) or 6.3 x 32mm (North American Type)



RoHS Compliant

For quantities greater than listed, call for quote.

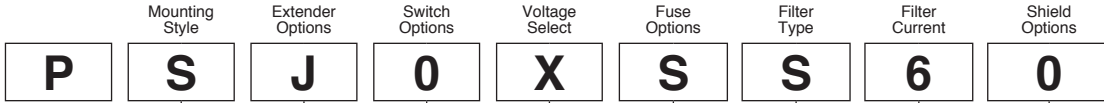
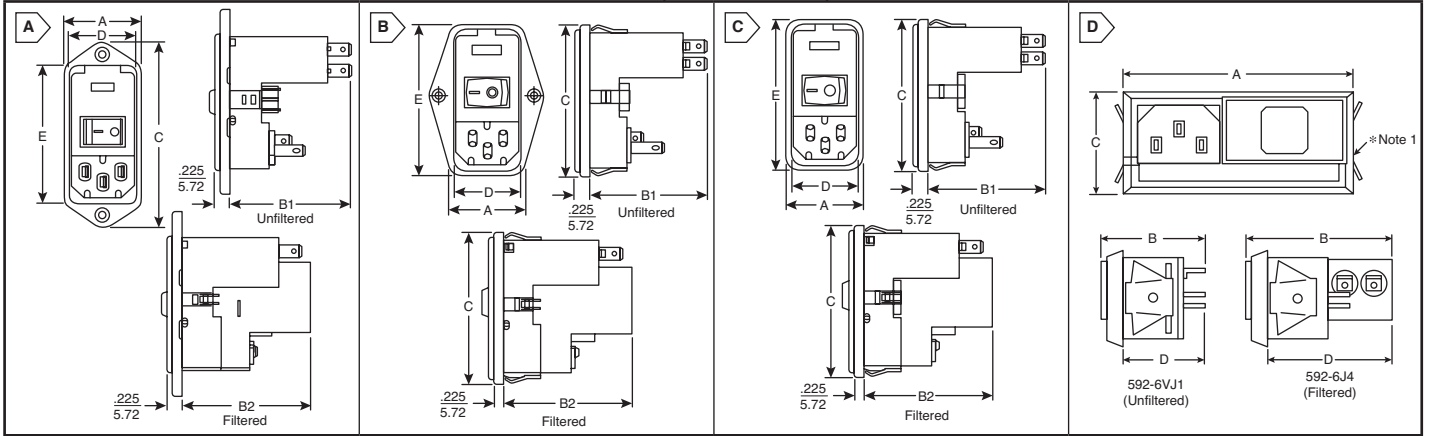
MOUSER STOCK NO.	Qualtek Part No.	Fig.	Description	Housing	Terminals	Fuseholder Switch	Power Selector	Volt.	Price Each			
									1	10	25	50
* 562-761-18/003	761-18/003	R	Snap-In Mnt	Plastic	Solder Tab	Single 5x20	SPST	-	5,36	4,94	4,66	4,54
* 562-761-18/004	761-18/004	R	Snap-In Mnt	Plastic	Solder Tab	Single 5x20	DPST	-	8,45	8,25	8,04	7,89
* 562-762-18/002	762-18/002	S	Snap-In Mnt	Metal	.250 Q.D.	Single 5x20	SPST	-	7,09	6,92	6,75	6,61
* 562-762-18/3	762-18/003	S	Snap-In Mnt	Metal	.250 Q.D.	Single 5x20	DPST	-	10,63	10,31	9,92	9,55
* 562-762-18/004	762-18/004	T	Snap-In Mnt	Metal	.250 Q.D.	Single 5x20	SPST	Rear	11,38	11,05	10,62	10,02
* 562-762-18/005	762-18/005	T	Snap-In Mnt	Metal	.250 Q.D.	Single 5x20	DPST	Rear	16,46	16,07	15,53	14,97
** 562-763-00/001	763-00/001	U	Screw Mount	Plastic	Solder Tab	Double ††	DPST	Front	5,41	5,32	5,16	5,00
562-764-00/002	764-00/002	V	Screw Mount	Plastic	Solder Tab	Double 5x20	DPST	Front	6,84	6,15	5,68	5,56
562-764-00/003	764-00/003	W	Screw Mount	Plastic	Solder Tab	Double 5x20	DPST	Front	7,41	7,22	7,01	6,91



AC Power Connectors Qualtek

CORCOM Power Entry Modules

RoHS Compliant This product is RoHS compliant.



Mounting Style
E = Mounting Ears (Horizontal)
S = Snap-in
M = Mounting Ears (Vertical)

Switch Option
O = Blank
S = Double Pole Single Throw (DPST)

Fuse Options
D = Dual Fuse
S = Single Fuse

Filter Current
0 = No Filter
3 = 3 Amps
6 = 6 Amps
X = 10 Amps

Extender Option
O = None
C = FN260
J = J Series
L = L Series

Input Voltage Select
0 = Single Voltage
S = Dual Voltage Select (SMPS)
X = Dual Voltage Select (Series/Parallel)

Filter Type
0 = No Filter
B = Interconnection Block
H = Medical Filter
L = High Performance Medical
S = General Purpose
Z = High Performance

Shield Options
0 = No Shield
A = Filter Shield
B = Complete Shield
C = Complete can (for L & Z models)

P SERIES ADAPTABLE POWER ENTRY MODULES

- IEC power line connector
- Both North American and European fusing capabilities
- Optional DPST on/off switch
- Snap in mounting ears, horizontal or vertical

• 5 x 20mm fuse not included

For quantities greater than listed, call for quote.

MOUSER STOCK NO.		Fig.	Amps	Filtered	Dimensions: in. (mm)					Price Each				
Mfr.	Mfr. Part No.				A (Max.)	B1 (Max.)	B2 (Max.)	C (Max.)	D (±.008)	E (±.008)	1	10	25	50
Mounting Ears - Vertical - High Performance / Shield Options: Complete Can														
592	PM0S0DZ6C	A	6	Yes	1.23 (31.20)	4.40 (112.27)	---	2.88 (73.10)	1.12 (28.50)	2.20 (55.91)	30,65	29,08	28,29	26,09
592	PM0S0SZ6C	A	6	Yes	1.23 (31.20)	4.40 (112.27)	---	2.88 (73.10)	1.12 (28.50)	2.20 (55.91)	30,65	29,08	28,29	26,09
592	PM0S0DZXC	A	10	Yes	1.23 (31.20)	4.40 (112.27)	---	2.88 (73.10)	1.12 (28.50)	2.20 (55.91)	30,67	29,10	28,31	26,11
592	PM0S0SZXC	A	10	Yes	1.23 (31.20)	4.40 (112.27)	---	2.88 (73.10)	1.12 (28.50)	2.20 (55.91)	30,64	29,07	28,28	26,10
Medical - Mounting Ears - Vertical - High Performance / Shield Options: Complete Can														
592	PM0S0DL6C	A	6	Yes	1.23 (31.20)	4.40 (112.27)	---	2.88 (73.10)	1.12 (28.50)	2.20 (55.91)	30,65	29,08	28,29	26,09
592	PM0S0SL6C	A	6	Yes	1.23 (31.20)	4.40 (112.27)	---	2.88 (73.10)	1.12 (28.50)	2.20 (55.91)	30,66	29,09	28,31	26,10
592	PM0S0DLXC	A	10	Yes	1.23 (31.20)	4.40 (112.27)	---	2.88 (73.10)	1.12 (28.50)	2.20 (55.91)	30,67	29,10	28,31	26,11
592	PM0S0SLXC	A	10	Yes	1.23 (31.20)	4.40 (112.27)	---	2.88 (73.10)	1.12 (28.50)	2.20 (55.91)	30,67	29,10	28,31	26,11
Mounting Ears - Horizontal														
592	PE0S0SS30	B	3	Yes	1.98 (50.29)	1.93 (49.02)	2.31 (54.10)	2.31 (58.67)	1.12 (28.50)	2.20 (55.91)	15,03	13,79	12,69	11,78
592	PE0S0SS6A	B	6	Yes	1.98 (50.29)	1.93 (49.02)	2.31 (54.10)	2.31 (58.67)	1.12 (28.50)	2.20 (55.91)	20,64	20,61	20,07	18,58
592	PE0SSSX0	B	10	Yes	1.98 (50.29)	1.93 (49.02)	2.31 (54.10)	2.31 (58.67)	1.12 (28.50)	2.20 (55.91)	15,53	14,66	13,55	12,55
592	PE0S0DSXB	B	10	Yes	1.98 (50.29)	1.93 (49.02)	2.31 (54.10)	2.31 (58.67)	1.12 (28.50)	2.20 (55.91)	23,56	20,40	19,48	17,46
592	PE0S0SZXC	B	10	Yes	1.98 (50.29)	---	4.42 (112.27)	2.31 (58.67)	1.12 (28.50)	2.20 (55.91)	32,00	29,96	27,35	25,99
592	PE0SXSSX0	B	10	Yes	1.98 (50.29)	1.93 (49.02)	2.31 (54.10)	2.31 (58.67)	1.12 (28.50)	2.20 (55.91)	18,98	16,40	15,43	14,12
Medical - Mounting Ears - Horizontal														
592	PE0S0SH3B	B	3	Yes	1.98 (50.29)	1.93 (49.02)	2.31 (54.10)	2.31 (58.67)	1.12 (28.50)	2.20 (55.91)	20,57	17,96	15,85	14,08
592	PE0S0SHXB	B	10	Yes	1.98 (50.29)	1.93 (49.02)	2.31 (54.10)	2.31 (58.67)	1.12 (28.50)	2.20 (55.91)	22,91	20,02	17,30	15,57
Snap-In														
592	PS0SXSS30	C	3	Yes	1.24 (31.49)	1.93 (49.02)	2.13 (54.10)	2.31 (58.67)	1.06 (26.93)	2.20 (55.91)	13,99	12,81	11,79	10,96
592	PS0SXSS60	C	6	Yes	1.24 (31.49)	1.93 (49.02)	2.13 (54.10)	2.31 (58.67)	1.06 (26.93)	2.20 (55.91)	14,36	13,18	12,16	11,30
592	PS0SXSS60	C	6	Yes	1.24 (31.49)	1.93 (49.02)	2.13 (54.10)	2.31 (58.67)	1.06 (26.93)	2.20 (55.91)	14,78	14,03	13,32	12,40
592	PS0SXDS6B	C	6	Yes	1.24 (31.49)	1.93 (49.02)	2.13 (54.10)	2.31 (58.67)	1.06 (26.93)	2.20 (55.91)	20,79	18,10	17,41	16,84
592	PS000SSXB	C	10	Yes	1.24 (31.49)	1.93 (49.02)	2.13 (54.10)	2.31 (58.67)	1.06 (26.93)	2.20 (55.91)	17,26	16,24	15,68	14,40
592	PS000SD000	C	10	No	1.24 (31.49)	1.93 (49.02)	2.13 (54.10)	2.31 (58.67)	1.06 (26.93)	2.20 (55.91)	10,12	8,96	8,58	8,18
592	PS0S0S000	C	10	No	1.24 (31.49)	1.93 (49.02)	2.13 (54.10)	2.31 (58.67)	1.06 (26.93)	2.20 (55.91)	9,74	8,94	8,25	7,66
592	PS0S0DSXB0	C	10	Yes	1.24 (31.49)	1.93 (49.02)	2.13 (54.10)	2.31 (58.67)	1.06 (26.93)	2.20 (55.91)	11,98	10,98	10,14	9,41
592	PS0S0DBX0	C	10	Yes	1.24 (31.49)	1.93 (49.02)	2.13 (54.10)	2.31 (58.67)	1.06 (26.93)	2.20 (55.91)	11,96	10,96	10,12	9,40
592	PS0S0DSXB	C	10	Yes	1.24 (31.49)	1.93 (49.02)	2.13 (54.10)	2.31 (58.67)	1.06 (26.93)	2.20 (55.91)	19,70	18,65	17,93	16,35
592	PS0S0SSXB	C	10	Yes	1.24 (31.49)	1.93 (49.02)	2.13 (54.10)	2.31 (58.67)	1.06 (26.93)	2.20 (55.91)	18,46	17,71	16,52	15,36
592	PS0S0SD000	C	10	No	1.24 (31.49)	1.93 (49.02)	2.13 (54.10)	2.31 (58.67)	1.06 (26.93)	2.20 (55.91)	13,89	13,20	12,54	11,91
592	PS0SXSS000	C	10	No	1.24 (31.49)	1.93 (49.02)	2.13 (54.10)	2.31 (58.67)	1.06 (26.93)	2.20 (55.91)	10,02	9,19	8,50	7,88

J SERIES - VOLTAGE SELECTING AND FUSED CONNECTOR

6 Amps; 120 - 250 Volts AC; 50-60 Hz

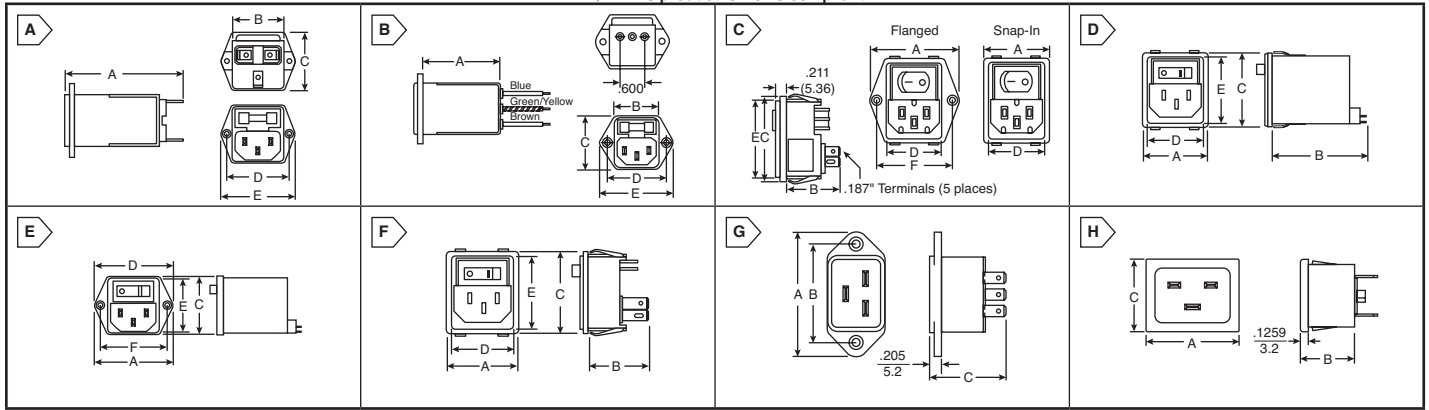
• 5 x 20mm fuse not included

For quantities greater than listed, call for quote.

MOUSER STOCK NO.		Fig.	Amps	Filtered	Dimensions: in. (mm)				Price Each			
Mfr.	Mfr. Part No.				A (Max.)	B (Max.)	C (Max.)	D (Max.)	1	10	25	50
592	6VJ1	D	6	No	2.68 (68.10)	1.52 (38.60)	1.17 (29.70)	1.23 (31.20)	16,85	16,01	15,21	14,45
592	6J4	D	6	Yes	2.75 (69.90)	1.87 (47.50)	1.17 (29.70)	1.58 (40.10)	29,87	28,38	26,96	25,61

CORCOM Power Entry Modules

ReHS Compliant This product is RoHS compliant.



POWER-ENTRY MODULES WITH METRIC FUSE HOLDERS (GG SERIES)

• 5 x 20mm fuse not included

For quantities greater than listed, call for quote.

MOUSER STOCK NO.		Fig.	Amps	No. of Fuse Holders	Dimensions: in. (mm)					Price Each			
Mfr.	Mfr. Part No.				A	B	C	D	E	1	10	25	50
592	—1EGG1-2	A	1	2	1.66 (51.10)	1.13 (28.70)	1.29 (32.77)	1.41 (33.30)	1.76 (44.70)	19,12	15,48	13,44	11,71
592	—6EGG1-1	A	6	1	1.66 (51.10)	1.13 (28.70)	1.29 (32.77)	1.41 (33.30)	1.76 (44.70)	12,84	12,20	11,59	11,01
592	—6EGG1-2	A	6	2	1.66 (51.10)	1.13 (28.70)	1.29 (32.77)	1.41 (33.30)	1.76 (44.70)	19,12	15,48	13,44	11,71
592	—6EGG8-2	B	6	2	2.02 (51.10)	1.13 (28.70)	1.29 (32.80)	1.42 (36.00)	1.76 (44.70)	15,05	14,44	13,69	12,56
592	—10EGG1-1	A	10	1	2.15 (54.61)	1.13 (28.70)	1.29 (32.76)	1.42 (36.06)	1.76 (44.70)	12,23	11,67	10,70	9,78
592	—10EGG1-2	A	10	2	2.15 (54.61)	1.13 (28.70)	1.29 (32.76)	1.42 (36.06)	1.76 (44.70)	12,57	12,01	11,01	10,07

C SERIES - POWER ENTRY MODULE WITH IEC CONNECTOR

* Pre-Connected Terminals

For quantities greater than listed, call for quote.

MOUSER STOCK NO.		Fig.	Amps	Mount Type	Filtered	Dimensions: in. (mm)					Price Each				
Mfr.	Mfr. Part No.					A (Max.)	B (Max.)	C (Max.)	D	E	F	1	10	25	50
592	—3CFE1	C	3	Flange	Yes	1.74 (44.20)	2.53 (64.26)	1.62 (41.17)	1.12 (28.50)	1.54 (39.12)	1.42 (36.00)	21,30	20,24	19,23	18,26
592	—3CFS1	C	3	Snap-in	Yes	1.23 (31.24)	2.53 (64.26)	1.62 (41.17)	1.12 (28.50)	1.54 (39.12)	---	21,30	20,24	19,23	18,26
592	—6CFE1	C	6	Flange	Yes	1.74 (44.20)	2.53 (64.26)	1.62 (41.17)	1.12 (28.50)	1.54 (39.12)	1.42 (36.00)	20,40	19,38	18,41	17,49
592	—6CFS1	C	6	Snap-in	Yes	1.23 (31.24)	2.53 (64.26)	1.62 (41.17)	1.12 (28.50)	1.54 (39.12)	---	19,91	18,92	17,97	17,07
592	—10CE1	C	10	Flange	No	1.74 (44.20)	0.97 (24.64)	1.62 (41.17)	1.06 (26.92)	1.54 (39.12)	1.42 (36.00)	7,19	6,83	6,49	6,16
592	—10CFE1	C	10	Flange	Yes	1.74 (44.20)	2.53 (64.26)	1.62 (41.17)	1.12 (28.50)	1.54 (39.12)	1.42 (36.00)	22,96	21,81	20,72	19,68
592	—10CFS1	C	10	Snap-in	Yes	1.23 (31.24)	2.53 (64.26)	1.62 (41.17)	1.12 (28.50)	1.54 (39.12)	---	22,12	21,01	19,96	18,96
592	—10CS1	C	10	Snap-in	No	1.23 (31.24)	0.97 (24.64)	1.62 (41.17)	1.06 (26.92)	1.54 (39.12)	---	7,19	6,83	6,49	6,16
592	—15CS1	C	15	Snap-in	No	1.23 (31.24)	0.97 (24.64)	1.62 (41.17)	1.06 (26.92)	1.54 (39.12)	---	5,64	5,29	4,91	4,56
592	—15CBS1	C	15	Snap-in	No	1.23 (31.24)	0.97 (24.64)	1.62 (41.17)	1.06 (26.92)	1.54 (39.12)	---	6,83	6,28	5,89	5,54
592	—15CE1	C	15	Flange	No	1.74 (44.20)	0.97 (24.64)	1.62 (41.17)	1.06 (26.92)	1.54 (39.12)	1.42 (36.00)	5,87	5,49	5,11	4,74
592	—15CBE1	C	15	Flange	No	1.74 (44.20)	0.97 (24.64)	1.62 (41.17)	1.06 (26.92)	1.54 (39.12)	1.42 (36.00)	6,83	6,28	5,89	5,54

CU SERIES

Specifications:

- Filling the need for smaller versions of Corcom's Switched inlet filters.
- Compact 1U height (1 3/4")
- Provides complete shielding, shrouded quick connect terminals and basic filtering for 1A-15A applications

* Pre-Connected Terminals

For quantities greater than listed, call for quote.

MOUSER STOCK NO.		Fig.	Amps	Mount Type	Filtered	Dimensions: in. (mm)					Price Each				
Mfr.	Mfr. Part No.					A (Max.)	B (Max.)	C (Max.)	D	E	F	1	10	25	50
592	—1CUFS1	D	1	Snap-In	Yes	1.20 (30.60)	1.80 (45.00)	1.34 (34.10)	1.11 (28.10)	1.26 (32.00)	---	18,73	17,93	17,04	15,64
592	—1CUFF1	E	1	Flange	Yes	1.70 (43.10)	1.80 (45.00)	1.34 (34.10)	1.21 (30.80)	1.35 (34.30)	1.45 (36.80)	18,72	17,92	17,03	15,63
592	—1CUFE1	E	1	Flange	Yes	1.73 (43.90)	1.75 (44.50)	1.34 (34.10)	1.11 (28.10)	1.26 (31.90)	1.45 (36.80)	18,72	17,92	17,03	15,63
592	—3CUFS1	D	3	Snap-In	Yes	1.20 (30.60)	1.80 (45.00)	1.34 (34.10)	1.11 (28.10)	1.26 (32.00)	---	17,35	15,75	14,45	13,59
592	—3CUFF1	E	3	Flange	Yes	1.70 (43.10)	1.80 (45.00)	1.34 (34.10)	1.21 (30.80)	1.35 (34.30)	1.45 (36.80)	17,37	15,77	14,46	13,62
592	—3CUFE1	E	3	Flange	Yes	1.73 (43.90)	1.75 (44.50)	1.34 (34.10)	1.11 (28.10)	1.26 (31.90)	1.45 (36.80)	17,11	15,53	14,25	13,40
592	—6CUFS1	D	6	Snap-In	Yes	1.20 (30.60)	1.80 (45.00)	1.34 (34.10)	1.11 (28.10)	1.26 (32.00)	---	17,26	15,68	14,37	13,53
592	—6CUFF1	E	6	Flange	Yes	1.70 (43.10)	1.80 (45.00)	1.34 (34.10)	1.21 (30.80)	1.35 (34.30)	1.45 (36.80)	18,73	17,36	15,91	14,98
592	—6CUFE1	E	6	Flange	Yes	1.73 (43.90)	1.75 (44.50)	1.34 (34.10)	1.11 (28.10)	1.26 (31.90)	1.45 (36.80)	15,15	13,93	12,76	11,91
592	—10CUFS1	D	10	Snap-In	Yes	1.20 (30.60)	1.80 (45.00)	1.34 (34.10)	1.11 (28.10)	1.26 (32.00)	---	15,15	13,93	12,76	11,91
592	—10CUFF1	E	10	Flange	Yes	1.70 (43.10)	1.80 (45.00)	1.34 (34.10)	1.21 (30.80)	1.35 (34.30)	1.45 (36.80)	18,86	17,35	15,67	14,63
592	—10CUFE1	E	10	Flange	Yes	1.73 (43.90)	1.75 (44.50)	1.34 (34.10)	1.11 (28.10)	1.26 (31.90)	1.45 (36.80)	18,47	16,97	15,57	14,54
592	—15CUS1	E	15	Flange	No	1.20 (30.60)	0.97 (24.64)	1.34 (34.10)	1.04 (26.40)	1.26 (32.00)	---	5,86	5,31	4,88	4,59
592	—15CUS1	D	15	Snap-In	Yes	1.20 (30.60)	1.80 (45.00)	1.34 (34.10)	1.11 (28.10)	1.26 (32.00)	---	20,21	18,68	17,13	16,13
592	—15CUFF1	E	15	Flange	Yes	1.70 (43.10)	1.80 (45.00)	1.34 (34.10)	1.21 (30.80)	1.35 (34.30)	1.45 (36.80)	20,27	18,73	17,18	16,16
592	—15CUFE1	E	15	Flange	Yes	1.73 (43.90)	1.75 (44.50)	1.34 (34.10)	1.11 (28.10)	1.26 (31.90)	1.45 (36.80)	18,70	16,98	15,58	14,65
592	—15CUE1	F	15	Snap-In	No	1.73 (43.90)	0.96 (24.60)	1.34 (34.10)	1.06 (26.90)	1.09 (27.60)	---	9,02	8,37	7,57	7,33
592	—15CUBS1	D	15	Snap-In	No	1.20 (30.60)	0.97 (24.60)	1.34 (34.10)	1.04 (26.40)	1.26 (32.00)	---	6,62	6,02	5,52	5,20
592	—15CUBE1	E	15	Flange	No	1.73 (43.90)	0.96 (24.60)	1.34 (34.10)	1.06 (26.90)	1.09 (27.60)	1.45 (36.80)	9,45	8,59	7,87	7,42
592	—15CU15S1	F	15	Snap-In	No	1.20 (30.60)	0.97 (24.60)	1.34 (34.10)	1.05 (26.70)	1.24 (31.60)	---	8,70	8,08	7,30	7,07
592	—15CU15BS1	D	15	Snap-In	No	1.20 (30.60)	0.97 (24.60)	1.34 (34.10)	1.05 (26.70)	1.24 (31.60)	---	6,62	6,02	5,52	5,20
592	—15CU10S1	F	15	Snap-In	No	1.20 (30.60)	0.97 (24.60)	1.34 (34.10)	1.05 (26.70)	1.24 (31.60)	---	6,32	5,44	4,98	4,69
592	—15CU10BS1	D	15	Snap-In	No	1.20 (30.60)	0.97 (24.60)	1.34 (34.10)	1.05 (26.70)	1.24 (31.60)	---	7,16	6,62	6,07	5,72

SR SERIES 20A POWER INLET CONNECTORS

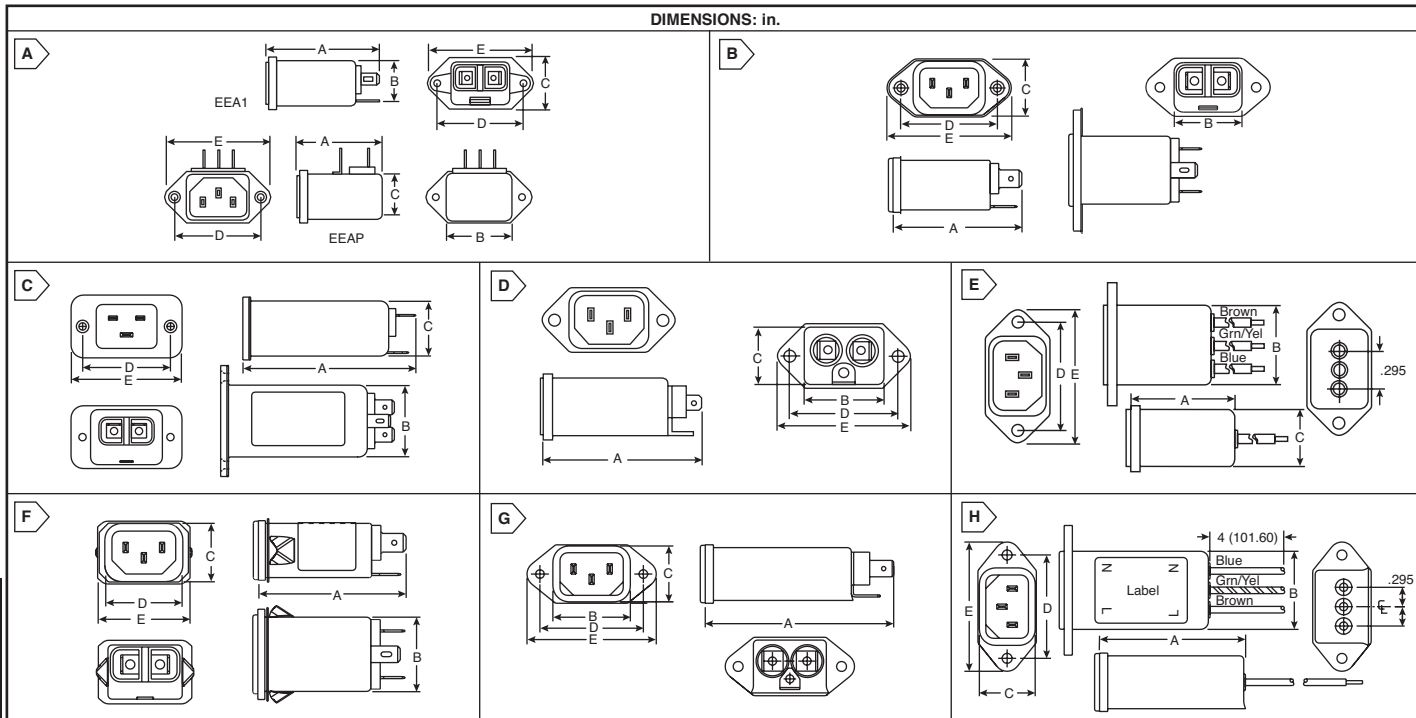
20 Amps; 120 - 250 Volts AC



For quantities greater than listed, call for quote.

MOUSER STOCK NO.		Fig.	Amps	Mount Type	Dimensions: in. (mm)					Price Each				
Mfr.	Mfr. Part No.				A (Max.)	B (Max.)	C (Max.)	D	E	F	1	10	25	50
592	—20ESRM-3	G	20	Flange	2.087 (53.00)	1.653 (42.00)	.999 (25.40)	-	1.318 (33.5)	-	2,31	2,10	1,93	1,82
592	—20ESRM-2	H	20	Snap-In	1.377 (35.00)	.921 (23.40)	1.06 (27.00)	-	-	-	2,31	2,10	1,93	1,82

DIMENSIONS: in.



TE Connectivity AC Power Connectors

EEA SERIES FILTERS

• 1 to 10 Amps; 120/250 Volts AC; 50/60 Hz



For quantities greater than listed, call for quote.

MOUSER STOCK NO.	TE Part No.	Fig.	Amps	Dimensions: in. (mm)					Price Each			
				A	B	C	D	E	1	10	25	50
592-3EEA1	3EEA1	A	3	2.15 (53.8)	1.11 (28.2)	0.81 (20.6)	1.575 (40.01)	1.98 (50.3)	7,61	7,15	6,58	6,12
592-6EEA1	6EEA1	A	6	2.15 (53.8)	1.11 (28.2)	0.81 (20.6)	1.575 (40.01)	1.98 (50.3)	6,78	6,39	5,81	5,45
592-6EEAP	6EEAP	A	6	1.54 (39.2)	1.11 (28.2)	0.81 (20.6)	1.575 (40.01)	1.98 (50.3)	8,33	7,87	7,21	6,69
592-10EEA1	10EEA1	A	10	2.15 (53.8)	1.11 (28.2)	0.81 (20.6)	1.575 (40.01)	1.98 (50.3)	7,74	7,29	6,72	6,20

EEJ SERIES Enhanced Performance Compact RFI Filter IEC Connector Package

• 3 to 20 Amps; 120/250 Volts AC; 50/60 Hz



For quantities greater than listed, call for quote.

MOUSER STOCK NO.	TE Part No.	Fig.	Amps	Dimensions: in. (mm)					Price Each			
				A	B	C	D	E	1	10	25	50
592-3EEJ1	3EEJ1	B	3	2.15 (54.61)	1.13 (28.7)	0.96 (24.38)	1.58 (40.00)	2.04 (51.76)	5,76	5,49	5,18	4,84
592-6EEJ1	6EEJ1	B	6	2.15 (54.61)	1.13 (28.7)	0.96 (24.38)	1.58 (40.00)	2.04 (51.76)	7,81	7,58	6,73	5,08
592-15EEJ1	15EEJ1	B	15	2.15 (54.61)	1.13 (28.7)	0.96 (24.38)	1.58 (40.00)	2.04 (51.76)	15,60	15,15	13,44	10,14
592-20EEJ1	20EEJ1	C	20	3.13 (79.38)	1.37 (34.79)	1.18 (29.99)	1.65 (42.01)	2.09 (53.00)	15,60	15,15	13,44	10,14

EF SERIES Compact RFI Filter with IEC Connectors

• 1 to 10 Amps; 120/250 Volts AC; 50-60 Hz



For quantities greater than listed, call for quote.

MOUSER STOCK NO.	TE Part No.	Fig.	Amps	Dimensions: in. (mm)					Price Each			
				A	B	C	D	E	1	10	25	50
592-1EF1F	1EF1F	D	1	2.20 (55.9)	1.19 (30.2)	0.81 (20.6)	1.575 (40.01)	1.98 (50.3)	9,09	8,64	8,27	7,57
592-3EF1F	3EF1F	D	3	2.20 (55.9)	1.19 (30.2)	0.81 (20.6)	1.575 (40.01)	1.98 (50.3)	8,86	8,77	8,23	7,62
592-6EF1	6EF1	D	6	2.20 (55.9)	1.19 (30.2)	0.81 (20.6)	1.575 (40.01)	1.98 (50.3)	11,66	11,15	10,60	9,73
592-6EF1F	6EF1F	D	6	2.20 (55.9)	1.19 (30.2)	0.81 (20.6)	1.575 (40.01)	1.98 (50.3)	11,82	11,23	10,67	10,13
592-6EF8	6EF8	E	6	1.55 (39.4)	1.19 (30.2)	0.81 (20.6)	1.575 (40.01)	1.98 (50.3)	9,10	8,48	8,26	7,66
592-10EF1F	10EF1F	D	10	2.62 (66.5)	1.19 (30.2)	0.81 (20.6)	1.575 (40.01)	1.98 (50.3)	9,14	9,08	8,37	7,76

EJS SERIES Enhanced Performance Snap-In Compact RFI Filter IEC Connector Package

• 3 to 15 Amps; 120/250 Volts AC; 50-60 Hz



For quantities greater than listed, call for quote.

MOUSER STOCK NO.	TE Part No.	Fig.	Amps	Dimensions: in. (mm)					Price Each			
				A	B	C	D	E	1	10	25	50
592-6EJS1	6EJS1	F	6	2.20 (55.88)	1.10 (27.94)	0.96 (24.38)	1.19 (30.10)	1.35 (34.21)	5,96	5,64	4,79	4,69
592-15EJS1	15EJS1	F	15	2.20 (55.88)	1.10 (27.94)	0.96 (24.38)	1.19 (30.10)	1.35 (34.21)	6,15	5,69	5,32	4,95

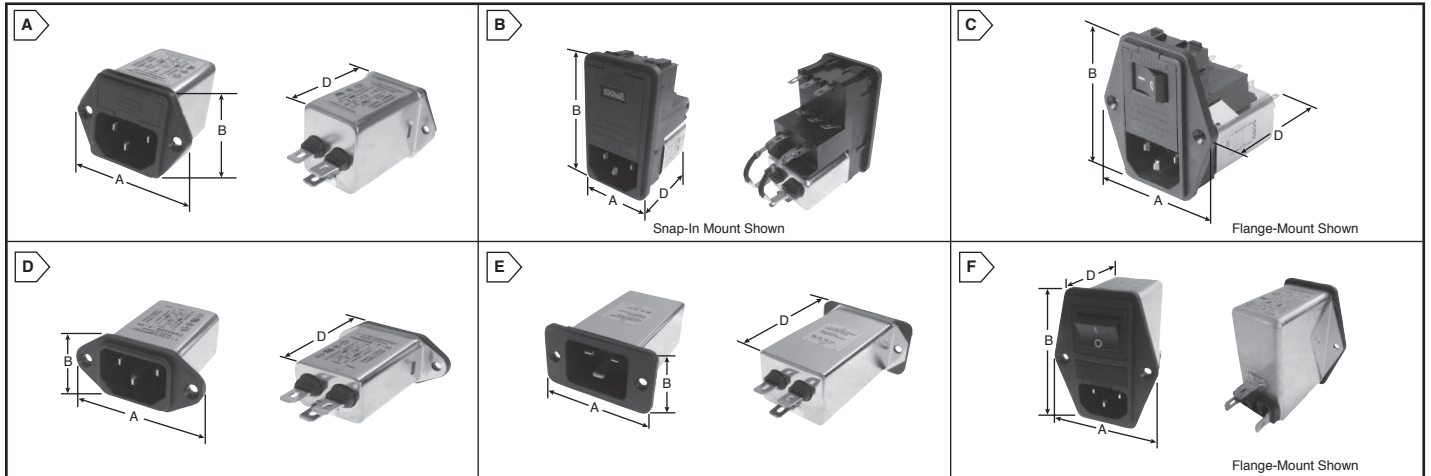
EJT SERIES Compact RFI Filters with IEC Connector for Higher Frequency Applications

• 3 to 15 Amps; 120/250 Volts AC; 50-60 Hz * Wire leads



For quantities greater than listed, call for quote.

MOUSER STOCK NO.	TE Part No.	Fig.	Amps	Dimensions: in. (mm)					Price Each			
				A	B	C	D	E	1	10	25	50
592-3EJT1	3EJT1	G	3	2.87 (72.9)	1.19 (30.2)	0.875 (22.2)	1.575 (40.0)	1.98 (50.3)	11,52	10,75	10,07	9,43
592-6EJT1	6EJT1	G	6	2.87 (72.9)	1.19 (30.2)	0.875 (22.2)	1.575 (40.0)	1.98 (50.3)	10,04	9,39	8,88	8,13
592-10EJT1	10EJT1	G	10	2.87 (72.9)	1.19 (30.2)	0.875 (22.2)	1.575 (40.0)	1.98 (50.3)	11,72	11,36	10,77	9,88
592-15EJT1	15EJT1	G	15	2.87 (72.9)	1.19 (30.2)	0.875 (22.2)	1.575 (40.0)	1.98 (50.3)	11,44	10,66	9,92	9,30
* 592-15EJT8	15EJT8	H	15	2.23 (56.6)	1.19 (30.2)	0.875 (22.2)	1.575 (40.0)	1.98 (50.3)	9,90	9,61	9,32	9,04



GENERAL PURPOSE POWER ENTRY MODULES WITH FUSES

- Specifications:**
- Up to 6A current ratings
 - IEC 950-compliant
 - One or two fuses (5 x 20mm)
 - Lightweight construction
 - General-purpose application
 - Optional medical version (B type)
 - Fuse sold separately



For quantities greater than listed, call for quote.

MOUSER STOCK NO.	Schaffner Part No.	Fig.	Amps	L (mH)	Capacitance (nF)		Resistance R k(Ω)	Dimensions: mm			Price Each								
					Cx	Cy		A	B	D	1	25	50	100	250				
Dual Fuse																			
631-FN9260-2/06	FN9260-2-06	A	2	2.7	0.1	2.2	1000	46	35	41	14,29	11,79	11,59	11,05	9,85				
631-FN9260-4/06	FN9260-4-06	A	4	1.0	0.1	2.2	1000	46	35	41	14,29	11,79	11,59	11,05	9,85				
631-FN9260-6/06	FN9260-6-06	A	6	0.3	0.1	2.2	1000	46	35	41	14,29	11,79	11,59	11,05	9,85				
631-FN9260B-2/06	FN9260B-2-06	A	2	2.7	0.1	-	1000	46	35	41	14,29	11,79	11,59	11,05	9,85				
631-FN9260B-4/06	FN9260B-4-06	A	4	1.0	0.1	-	1000	46	35	41	14,29	11,79	11,59	11,05	9,85				
631-FN9260B-6/06	FN9260B-6-06	A	6	0.3	0.1	-	1000	46	35	41	11,20	9,31	8,42	7,61	7,34				
Single Fuse																			
631-FN261-4-06	FN261-4-06	A	4	1.0	0.1	2.2	1000	46	35	41	11,33	10,48	9,80	8,51	8,22				
631-FN261-6-06	FN261-6-06	A	6	0.3	0.1	2.2	1000	46	35	41	11,33	10,48	9,80	8,51	8,22				

FUSED INLETS

- Specifications:**
- Up to 6A current ratings
 - IEC 950-compliant (twin fuse configurations only)
 - One or two fuses (5 x 20 or 6.3 x 32mm)
 - Easy-access fuse compartment
 - Voltage selector
 - Snap-in or flange-mount versions
 - General-purpose application
 - Fuse sold separately



For quantities greater than listed, call for quote.

MOUSER STOCK NO.	Schaffner Part No.	Fig.	Amps	L (mH)	Cx	Cy	Resistance R k(Ω)	A	B	D	Price Each				
											1	25	50	100	250
631-FN372-2/22	FN372-2-22	B	2	0.70	47	2.2	---	32	58	54	25,79	21,72	20,77	19,45	18,09
631-FN372-6/22	FN372-6-22	B	6	0.18	47	2.2	---	32	58	54	26,79	25,45	24,18	22,97	21,24
631-FN382-4/22	FN382-4-22	C	4	0.30	47	2.2	---	32	58	51	25,79	24,50	23,28	22,11	20,90
631-FN388-6/22	FN388-6-22	C	6	0.18	47	2.2	---	50	58	51	26,71	25,37	24,10	22,90	20,76
631-FN389B-6/22	FN389B-6-22	C	6	0.50	47	---	1000	50	58	61	28,84	27,40	26,03	24,72	22,01

GENERAL PERFORMANCE IEC INLET FILTERS

- Specifications:**
- Up to 20A current ratings
 - Standard housing with mounting flanges
 - IEC 950-Compliant
 - Bleed resistor



For quantities greater than listed, call for quote.

MOUSER STOCK NO.	Schaffner Part No.	Fig.	Amps	L (mH)	Capacitance (nF)		Resistance R k(Ω)	Dimensions: mm			Price Each				
					Cx	Cy		A	B	D	1	25	50	100	250
631-FN9222R-3/06	FN9222R-3-06	D	3	2.50	0.1	2.2	1000	48	22.5	38.4	12,02	10,36	7,81	6,17	5,13
631-FN9222R-6/06	FN9222R-6-06	D	6	0.78	0.1	2.2	1000	48	22.5	38.4	12,02	10,36	7,81	6,17	5,08
631-FN9222R-10/06	FN9222R-10-06	D	10	0.225	0.1	2.2	1000	48	22.5	38.4	12,02	10,36	7,81	6,17	5,08
631-FN9222R-12/06	FN9222R-12-06	D	12	0.11	0.1	2.2	1000	48	22.5	38.4	12,02	10,36	7,81	6,17	5,08
631-FN9222R-15/06	FN9222R-15-06	D	15	0.075	0.1	2.2	1000	48	22.5	38.4	12,02	10,36	7,81	6,17	5,08
631-FN9222R-16/06	FN9222R-16-06	E	16	0.54	0.33	2.2	1000	53	30	66	6,60	5,78	5,57	5,16	4,83
631-FN9222R-20/06	FN9222R-20-06	E	20	0.40	0.33	2.2	1000	53	30	66	7,82	7,24	6,44	5,64	5,35

MEDICAL HIGH PERFORMANCE MODULES

- Specifications:**
- Up to 20A current ratings
 - Medical version (with bleed resistor and without Y2-capacitor)
 - IEC 950-Compliant



For quantities greater than listed, call for quote.

MOUSER STOCK NO.	Schaffner Part No.	Fig.	Amps	L (mH)	Cx	Cy	Resistance R k(Ω)	A	B	D	Price Each				
											1	25	50	100	250
631-FN9222B-3/06	FN9222B-3-06	D	3	2.50	0.1	--	1000	48	22.5	38.4	3,89	3,70	2,98	2,56	2,36
631-FN9222B-6/06	FN9222B-6-06	D	6	0.78	0.1	--	1000	48	22.5	38.4	3,80	3,42	3,14	2,57	2,54
631-FN9222B-10/06	FN9222B-10-06	D	10	0.225	0.1	--	1000	48	22.5	38.4	3,89	3,70	2,98	2,56	2,36

COMPACT FILTERED POWER ENTRY MODULES

- Specifications:**
- Current rating from 1 to 10A
 - IEC 950-compliant
 - General-purpose application
 - Flange mounting version left/right, single fuse
 - Fuse sold separately
 - † Medical version: B Type



For quantities greater than listed, call for quote.

MOUSER STOCK NO.	Schaffner Part No.	Fig.	Amps	L (mH)	Cx	Cy	Resistance R k(Ω)	A	B	D	Price Each						
											1	25	50	100	250		
Single Fuse																	
631-FN283-1/06	FN283-1-06	F	1	7.5	220	2.2	1000	50	65	43.1	20,21	19,49	17,37	16,33	15,26		
631-FN283-2/06	FN283-2-06	F	2	2.0	220	2.2	1000	50	65	43.1	19,00	17,09	15,65	14,05	13,68		
631-FN283-4/06	FN283-4-06	F	4	1.0	220	2.2	1000	50	65	43.1	19,00	16,34	14,64	14,05	13,68		
631-FN283-6/06	FN283-6-06	F	6	0.45	220	2.2	1000	50	65	43.1	19,00	17,09	15,65	14,05	13,68		
Dual Fuse																	
631-FN284-1-06	FN284-1-06	F	1	7.5	220	2.2	1000	50	65	43.1	21,27	19,87	18,79	16,64	15,25		
631-FN284-2-06	FN284-2-06	F	2	2.0	220	2.2	1000	50	65	43.1	20,69	20,36	16,18	14,92	14,08		
631-FN284-4-06	FN284-4-06	F	4	1.0	220	2.2	1000	50	65	43.1	17,43	16,89	16,09	15,91	15,74		
631-FN284-6-06	FN284-6-06	F	6	0.45	220	2.2	1000	50	65	43.1	22,77	20,36	16,18	14,92	14,08		
631-FN284-10/06	FN284-10-06	F	10	0.34	220	2.2	1000	50	65	43.1	22,77	20,36	16,18	14,92	14,08		
† 631-FN284B-4-06	FN284B-4-06	F	4	1.0	220	-	1000	50	65	43.1	21,68	20,05	17,07	15,72	14,91		
631-FN286-2-06	FN286-2-06	F	2	2.0	220	2.2	1000	32	65	43.6	18,32	16,81	15,92	14,92	14,08		
631-FN286-4-06	FN286-4-06	F	4	1.0	220	2.2	1000	32	65	43.6	18,32	16,81	15,92	14,92	14,08		
631-FN286-6/06	FN286-6-06	F	6	0.45	220	2.2	1000	32	65	43.6	23,50	22,50	21,17	18,88	18,88		

SCHURTER GSP1 / GSP2 SERIES: IEC320 AC INLETS FOR PCB MOUNTING

- For "cold" connections 70° C.
- Class I level of protection (with ground terminal); IEC320/C14
- Ground terminal is solder/quick connect .187", 90° to connector axis

- Housing material: Black thermoplastic UL 94V-0
- Rating: UL/CSA - 15A/250V; VDE 10A/250V
- 2 screws included with GSP2. Screws for GSP1 not included.



For quantities greater than listed, call for quote.

MOUSER STOCK NO.	Schurter Part No.	Fig.	Terminal Spacing	Mounting Type	Price Each			
					1	25	50	100
Without Insulation Cover								
693-GSP1.8101.1	GSP1.8101.1	A	9.05/9.7mm	Flange with holes for M3 screws	1,61	1,31	1,18	1,05
693-GSP2.8101.13	GSP2.8101.13	B	9.05/9.7mm	Screw-on with self-tapping M3 screws	2,21	1,95	1,77	1,67
693-GSP2.8201.13	GSP2.8201.13	C	9.05/9.7mm	With snap-in feet for PCB 1.6mm	1,86	1,64	1,49	1,39
With Insulation Cover								
693-GSP1.9113.1	GSP1.9113.1	A	7/7.3mm	Flange with holes for M3 screws	1,66	1,51	1,40	1,29
693-GSP2.9113.13	GSP2.9113.13	B	7/7.3mm	Screw-on with self-tapping M3 screws	2,58	2,26	2,04	1,94
693-GSP2.9213.13	GSP2.9213.13	C	7/7.3mm	With snap-in feet for PCB 1.6mm	1,48	1,41	1,36	1,29

SCHURTER 6100 SERIES: PANEL MOUNT IEC320 AC INLETS

- For "cold" connections 70° C.
- Class I level of protection (with ground terminal); IEC320/C14

- Rating: UL/CSA - 15A/250V; VDE 10A/250V
- 6100 housing material: Black thermoplastic, PA 6.6



For quantities greater than listed, call for quote.

MOUSER STOCK NO.	Schurter Part No.	Fig.	Mounting Type	Price Each				
				1	25	50	100	
693-6100.3100	6100.3100	D	Screw-on, solder .138"	1,07	0,957	0,858	0,809	
693-6100.3200	6100.3200	D	Screw-on, quick connect .187"	1,07	0,957	0,858	0,809	
693-6100.3300	6100.3300	D	Screw-on, quick connect .250"	1,07	0,957	0,858	0,809	
693-6100.4115	6100.4115	E	Snap-in, solder .138", panel thickness 1.5mm	1,48	1,20	1,08	0,971	
693-6100.4215	6100.4215	E	Snap-in, quick connect .187", panel thickness 1.5mm	1,12	0,99	0,891	0,85	
693-6100.4310	6100.4310	E	Snap-in, quick connect .250", panel thickness 1.0mm	1,12	0,99	0,891	0,85	
693-6100.4315	6100.4315	E	Snap-in, quick connect .250", panel thickness 1.5mm	1,11	0,85	0,776	0,67	
Insulation Cover for 6100 Series								
693-0859.0048	0859.0048	-	Flexible plastic PVC, UL 94V-0 rated	1,63	1,15	0,99	0,916	

SCHURTER 4300 SERIES: LOW CURRENT AC INLETS

- For "cold" connections 70° C.
- Rating: UL/CSA/VE - 2.5A/250V
- Housing material: Black thermoplastic, PBT

- Class I level of protection (with ground terminal) is IEC320/C6 3-pin
- Class II level of protection (without ground terminal) is IEC320/C8 2-pin



For quantities greater than listed, call for quote.

MOUSER STOCK NO.	Schurter Part No.	Fig.	Protection Level	Terminal Type	Mounting Type	Price Each			
						1	25	50	100
693-4300.0096	4300.0096	F	Class II	Solder	Screw-on	0,76	0,62	0,553	0,503
693-4300.0097	4300.0097	F	Class II	PCB	Screw-on	0,76	0,62	0,553	0,503
693-4300.0098	4300.0098	G	Class II	Solder	Snap-in	0,76	0,62	0,553	0,503
693-4300.0099	4300.0099	G	Class II	PCB	Snap-in	0,76	0,62	0,553	0,503
693-4300.0100	4300.0100	H	Class I	Solder	Screw-on	0,90	0,809	0,718	0,685
693-4300.0101	4300.0101	H	Class I	PCB	Screw-on	0,90	0,809	0,718	0,685

SCHURTER 6600/4721 SERIES: AC OUTLETS FOR PANEL MOUNTING

Shuttered outlets have mechanical covers over the L and N contacts which slide aside like a camera shutter when a plug is inserted and then spring back when the plug is removed. This offers protections against ingress of dust and against electrical shock.

- Class I level of protection (with ground terminal); IEC320/F
- Ratings: 6600 - UL/CSA 15A/250V, VDE 10A/250V
- 4721 - UL/CSA/VE 10A/250V

- For "cold" connections 70° C.
- Housing materials: 6600 - Thermoplastic, Polyamid 6.6
- 4721 - Modified PPO UL94V-0



For quantities greater than listed, call for quote.

MOUSER STOCK NO.	Schurter Part No.	Fig.	Protection Level	Terminal Type	Mounting Type	Price Each			
						1	25	50	100
693-6600.4115	6600.4115	I	Class I	.138" Solder	Snap-in, 1.5mm panel thickness	1,04	0,98	0,952	0,882
693-6600.4315	6600.4315	I	Class I	.250" QC	Snap-in, 1.5mm panel thickness	1,63	1,45	1,31	1,24
693-6600.3100	6600.3100	J	Class I	.138" Solder	Screw-on	1,08	1,02	0,987	0,917
693-6600.3300	6600.3300	J	Class I	.250" QC	Screw-on	1,68	1,33	1,21	1,01
693-4721.0000	4721.0000	K	Class I	.250" QC	Screw-on, shuttered	2,57	2,48	2,42	2,32
693-4721.0300	4721.0300	K	Class I	.138" Solder	Screw-on, shuttered	2,57	2,48	2,42	2,32

Accessories for 6600 Series

693-0859.0047	0859.0047	-	Insulation cover, flexible plastic PVC, UL 94V-0 rated	1,24	1,15	1,04	0,977
693-0888.0017	0888.0017	-	Cord retaining clamp for screw-on 6600	6,23	5,54	4,99	4,71

SCHURTER 4300 SERIES: NEMA 5-15R OUTLETS

Specifications:

- 4300.0701, 0702, 0703 have Class I level of protection (with ground terminal).
- 4300.0705 has Class II level of protection (without ground terminal).
- Ratings: UL/CSA 15A/125V

- Housing material: Black thermoplastic, Nylon 66
- Snap-in panel mount from front



For quantities greater than listed, call for quote.

MOUSER STOCK NO.	Schurter Part No.	Fig.	Panel Thickness	Terminal Type	Price Each			
					1	25	50	100
693-4300.0701	4300.0701	L	0.8-1.6mm	Solder/.187" quick connect	0,97	0,78	0,71	0,635
693-4300.0702	4300.0702	M	0.8-1.6mm	V-slotted (14 AWG)	1,02	0,82	0,74	0,665
693-4300.0703	4300.0703	N	0.8-2.0mm	Sockets for .205" tabs, solid wires (12-14 AWG)	1,25	0,92	0,911	0,815
693-4300.0705	4300.0705	O	0.8-1.5mm	Solder/.187" quick connect	0,68	0,55	0,50	0,449

*Use terminals 534-1213 or 534-1286

SCHURTER HIGH CURRENT CORD CONNECTORS

These new power cord connectors are rated for use with cordage up to 16/21A. Two types, 4789 and 4790 (plug or connector), are angled for closer placement of the equipment to the wall, consuming less space and minimizing the potential for tangling or tripping.

Specifications:

- Ratings IEC: 16A / 250VAC; 50Hz
- Ratings UL/CSA: 21A / 250VAC; 60Hz
- Dielectric Strength: 2kVAC between L-N and L/N-PE
- Operation Temp: -25°C to 70°C

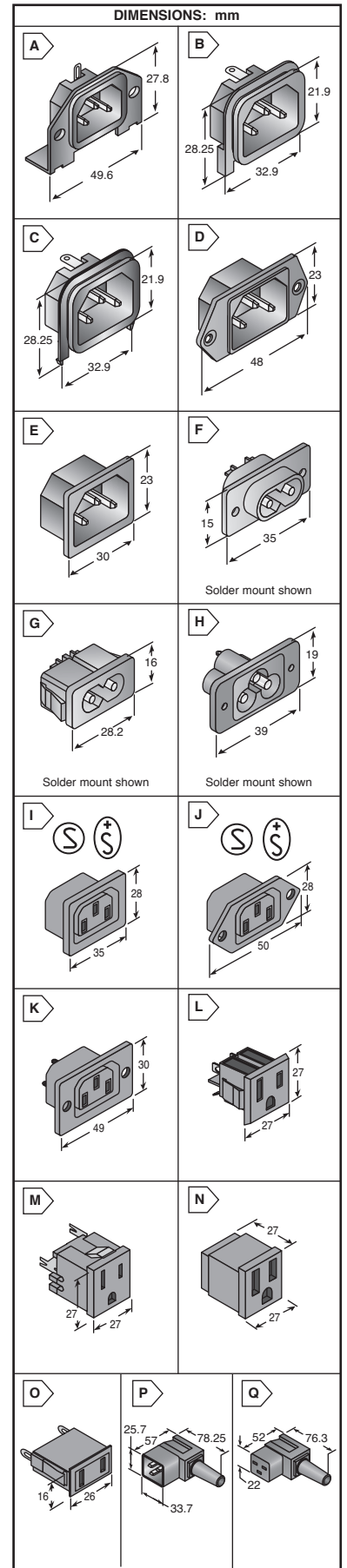
Features:

- Screw Terminals
- Rewireable plug/connector
- Housing material: Thermoplastic, Black UL 94V-0



For quantities greater than listed, call for quote.

MOUSER STOCK NO.	Schurter Part No.	Fig.	Description	Max Cable Dia..	Max. Wire Size	Price Each			
						1	10	25	50
693-4789.12	4789.1200	P	Plug for cable 90° Entry	10.00mm	3 x 2mm ² / 3 x 14 AWG	6,90	6,28	5,74	5,31
693-4790.11	4790.1100	Q	Connector for cable 90° Entry	8.7mm	3 x 1.5mm ² / 3x16 AWG	6,07	5,52	5,06	4,68
693-4790.12	4790.1200	Q	Connector for cable 90° Entry	10.00mm	3 x 2mm ² / 3 x 14 AWG	6,07	5,52	5,06	4,68



SCHURTER AC Inlets, AC Outlets and DC Power Entry Modules

SCHURTER AC INLETS/OUTLETS

ELECTRONIC COMPONENTS



• Rating: 250VAC@15A UL/CSA, 10A VDE/SEMKO

For quantities greater than listed, call for quote.

MOUSER STOCK NO.	Schurter Part No.	Fig.	Mounting	Terminals	Price Each			
					1	25	50	100
693-4300.0301	4300.0301	A	Snap-in	4.8x0.8mm Q.C.	3,23	2,88	2,60	2,46
693-4304.6001	4304.6001	B	Vertical Screw-on	Solder	4,87	4,48	4,12	3,86
693-4304.6002	4304.6002	B	Vertical Screw-on	6.3x0.8mm Q.C.	3,34	2,92	2,52	2,32
693-4304.6003	4304.6003	C	Horizontal Screw-on	Solder	3,75	3,28	2,83	2,61
693-4304.6004	4304.6004	C	Horizontal Screw-on	6.3x0.8mm Q.C.	3,34	2,92	2,52	2,32

SCHURTER INLET WITH SWITCH, FUSEHOLDER

ELECTRONIC COMPONENTS



• Rating: 250VAC@1-10A cURus, ENEC10

For quantities greater than listed, call for quote.

MOUSER STOCK NO.	Schurter Part No.	Fig.	Mounting	Terminals	Price Each			
					1	25	50	100
693-4304.6090	4304.6090	D	Horizontal Screw-on	4.8x0.8mm Q.C.	8,54	7,59	7,03	6,08

SCHURTER INLET WITH SWITCH, FUSEHOLDER, 1- OR 2-STAGE EMI FILTER

ELECTRONIC COMPONENTS



• Rating: 250VAC@1-10A cURus, ENEC10

For quantities greater than listed, call for quote.

MOUSER STOCK NO.	Schurter Part No.	Fig.	I _N (A)	Stages	Mounting	Terminals	Price Each			
							1	25	50	100
693-4304.4022	4304.4022	E	2	1	Horizontal Screw-on	6.3x0.8mm Q.C.	58,73	48,36	43,21	40,70
693-4304.4024	4304.4024	E	6	1	Horizontal Screw-on	6.3x0.8mm Q.C.	58,73	48,36	43,21	40,70
693-4304.4025	4304.4025	E	10	1	Horizontal Screw-on	6.3x0.8mm Q.C.	58,73	48,36	43,21	40,70
693-4304.5021	4304.5021	F	1	2	Horizontal Screw-on	6.3x0.8mm Q.C.	71,68	58,93	50,97	49,94
693-4304.5023	4304.5023	F	4	2	Horizontal Screw-on	6.3x0.8mm Q.C.	71,68	58,93	50,97	49,94
693-4304.5024	4304.5024	F	6	2	Horizontal Screw-on	6.3x0.8mm Q.C.	63,71	52,39	45,31	44,39

SCHURTER BACKPLANE OUTLETS

ELECTRONIC COMPONENTS



• Rating: 250VAC@15A UL/CSA, 10A VDE

For quantities greater than listed, call for quote.

MOUSER STOCK NO.	Schurter Part No.	Fig.	Mounting	Terminals	Price Each			
					1	25	50	100
693-4787.1000	4787.1000	G	Screw-on	6.3x0.8mm Q.C.	1,59	1,56	1,49	1,47
693-4788.8000	4788.8000	H	Snap-in, 1.2mm	6.3x0.8mm Q.C.	2,10	1,87	1,74	1,50
693-4788.4000	4788.4000	H	Snap-in, 1.5mm	6.3x0.8mm Q.C.	2,51	1,76	1,63	1,61
693-4788.5000	4788.5000	H	Snap-in, 2.0mm	6.3x0.8mm Q.C.	2,10	1,87	1,74	1,50
693-4788.6000	4788.6000	H	Snap-in, 2.5mm	6.3x0.8mm Q.C.	2,51	1,76	1,63	1,61

SCHURTER HIGH CURRENT AC CONNECTORS

ELECTRONIC COMPONENTS



• Rating: 250VAC@21A UL/CSA, 16A VDE/ENEC05

For quantities greater than listed, call for quote.

MOUSER STOCK NO.	Schurter Part No.	Fig.	Mounting	Terminals	Price Each			
					1	25	50	100
693-6183.0004	6183.0004	I	Screw-on	6.3x0.8mm Q.C.	4,61	4,18	3,93	3,72
693-6183.0018	6183.0018	J	PCB	PCB+6.3x0.8mm	1,91	1,73	1,59	1,47

SCHURTER DC FILTERED POWER ENTRY MODULES

ELECTRONIC COMPONENTS

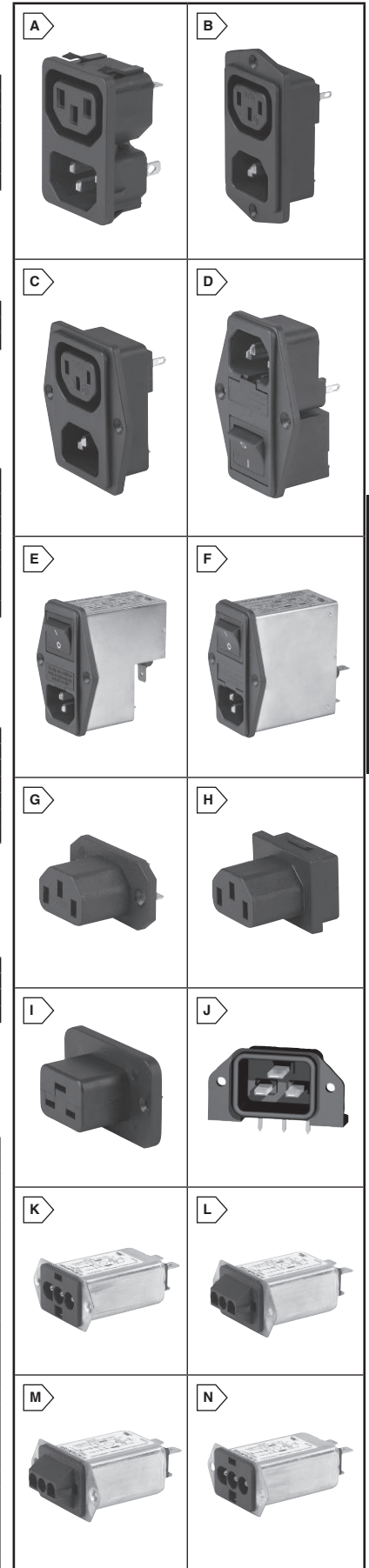


• Rating: 125VDC@3-15A • Terminals: 6.3x0.8mm QC

* Mounting holes are pre-threaded

For quantities greater than listed, call for quote.

MOUSER STOCK NO.	Schurter Part No.	Fig.	I _N (A)	Mounting Type	Housing	Female Terminal	Price Each			
							1	25	50	100
* 693-5003.0121.1	5003.0121.1	K	3	Rear Screw-on	538-03-12-1036	538-18-12-1222	8,55	7,37	6,89	6,58
* 693-5003.0221.1	5003.0221.1	K	6	Rear Screw-on	538-03-12-1036	538-18-12-1222	8,55	7,37	6,89	6,58
* 693-5003.0321.1	5003.0321.1	K	10	Rear Screw-on	538-03-12-1036	538-18-12-1222	8,55	7,37	6,89	6,58
* 693-5003.0421.1	5003.0421.1	K	15	Rear Screw-on	538-03-12-1036	538-18-12-1222	8,55	7,37	6,89	6,58
693-5003.1111.1	5003.1111.1	L	3	Front/Rear Screw-on	571-1-480700-0	538-02-08-1002	8,95	7,72	7,22	6,89
693-5003.1211.1	5003.1211.1	L	6	Front/Rear Screw-on	571-1-480700-0	538-02-08-1002	8,95	7,72	7,22	6,89
693-5003.1311.1	5003.1311.1	L	10	Front/Rear Screw-on	571-1-480700-0	538-02-08-1002	8,95	7,72	7,22	6,89
693-5003.1411.1	5003.1411.1	L	15	Front/Rear Screw-on	571-1-480700-0	538-02-08-1002	8,95	7,72	7,22	6,89
* 693-5003.1121.1	5003.1121.1	M	3	Rear Screw-on	571-1-480700-0	538-02-08-1002	8,95	7,72	7,22	6,89
* 693-5003.1221.1	5003.1221.1	M	6	Rear Screw-on	571-1-480700-0	538-02-08-1002	8,95	7,72	7,22	6,89
* 693-5003.1321.1	5003.1321.1	M	10	Rear Screw-on	571-1-480700-0	538-02-08-1002	8,95	7,72	7,22	6,89
* 693-5003.1421.1	5003.1421.1	M	15	Rear Screw-on	571-1-480700-0	538-02-08-1002	8,95	7,72	7,22	6,89
693-5003.0111.1	5003.0111.1	N	3	Front/Rear Screw-on	538-03-12-1036	538-18-12-1222	8,55	7,37	6,89	6,58
693-5003.0211.1	5003.0211.1	N	6	Front/Rear Screw-on	538-03-12-1036	538-18-12-1222	8,55	7,37	6,89	6,58
693-5003.0311.1	5003.0311.1	N	10	Front/Rear Screw-on	538-03-12-1036	538-18-12-1222	8,55	7,37	6,89	6,58
693-5003.0411.1	5003.0411.1	N	15	Front/Rear Screw-on	538-03-12-1036	538-18-12-1222	8,55	7,37	6,89	6,58
693-5003.0131.1	5003.0131.1	K	3	Front-Side	538-03-12-1036	538-18-12-1222	8,55	7,37	6,89	6,58
693-5003.0231.1	5003.0231.1	K	6	Front-Side	538-03-12-1036	538-18-12-1222	8,55	7,37	6,89	6,58
693-5003.0331.1	5003.0331.1	K	10	Front-Side	538-03-12-1036	538-18-12-1222	8,55	7,37	6,89	6,58
693-5003.0431.1	5003.0431.1	K	15	Front-Side	538-03-12-1036	538-18-12-1222	8,55	7,37	6,89	6,58
693-5003.1131.1	5003.1131.1	M	3	Front-Side	571-1-480700-0	538-02-08-1002	8,95	7,72	7,22	6,89
693-5003.1231.1	5003.1231.1	M	6	Front-Side	571-1-480700-0	538-02-08-1002	8,95	7,72	7,22	6,89
693-5003.1331.1	5003.1331.1	M	10	Front-Side	571-1-480700-0	538-02-08-1002	8,95	7,72	7,22	6,89
693-5003.1431.1	5003.1431.1	M	15	Front-Side	571-1-480700-0	538-02-08-1002	8,95	7,72	7,22	6,89



AC Power Connectors Schurter

KYCON DC Power Connectors



RoHS Compliant This product is RoHS compliant

STANDARD DC POWER JACKS AND PLUGS (2.0MM AND 2.5MM)

- Built in DC On/Off Switch
- Screw machine contact center pin
- Housing: PBT Thermoplastic, UL94V-0 Rated
- Color: Black
- RoHS Compliance per Kycon Documentation
- Durability: 5000 Cycles
- Operating Temperature: -25°C to +85°C
- Rated Current: 3.5 Amps, 3 Amps - Locking Jacks
- Rated Voltage: 24VDC, 16VDC - Vertical SMT and Locking Jacks



* High Temperature Thermoplastic UL94V-0 Rated

For quantities greater than listed, call for quote.

MOUSER STOCK NO.	Kycon Part No.	Fig.	Inner Pin (mm)	Price Each			
				1	25	100	500
Right Angle PCB Jacks							
806-KLDX-0202-A	KLDX-0202-A	A	2.0	0,43	0,399	0,291	0,214
806-KLDX-0202-B	KLDX-0202-B	A	2.5	0,42	0,399	0,291	0,224
Right Angle PCB Jacks - 1 and 2 Pins Crimped							
806-KLDX-0202-AC	KLDX-0202-AC	A	2.0	0,49	0,476	0,35	0,262
806-KLDX-0202-BC	KLDX-0202-BC	A	2.5	0,46	0,437	0,321	0,253
Right Angle High Temperature PCB Jacks							
* 806-KLDX-0202-AHT	KLDX-0202-AHT	A	2.0	0,72	0,697	0,648	0,484
* 806-KLDX-0202-BHT	KLDX-0202-BHT	A	2.5	0,72	0,697	0,574	0,484
Right Angle Locking Type PCB Jacks - without Center Peg							
806-KLDX-0202-A-LT	KLDX-0202-A-LT	A	2.0	0,69	0,672	0,615	0,459
806-KLDX-0202-B-LT	KLDX-0202-B-LT	A	2.5	0,72	0,697	0,648	0,476
Right Angle Locking Type PCB Jacks - with Center Peg							
806-KLDX-0202-AP-LT	KLDX-0202-AP-LT	A	2.0	0,69	0,672	0,615	0,459
806-KLDX-0202-BP-LT	KLDX-0202-BP-LT	A	2.5	0,72	0,697	0,648	0,476
Locking Plugs							
806-KLDX-P-0202-A-LT	KLDX-P-0202-A-LT	B	2.1	0,72	0,697	0,648	0,476
806-KLDX-P-0202-B-LT	KLDX-P-0202-B-LT	B	2.5	0,72	0,697	0,648	0,476
Vertical PCB Jacks							
806-KLDVX-0202-A	KLDVX-0202-A	C	2.0	0,62	0,598	0,501	0,357
806-KLDVX-0202-B	KLDVX-0202-B	C	2.5	0,75	0,684	0,501	0,357
Vertical High Temperature SMT Jacks							
806-KLDVX-SMT02ATR	KLDVX-SMT-02-ATR	D	2.0	1,31	1,08	0,801	0,763
806-KLDVX-SMT02BTR	KLDVX-SMT-02-BTR	D	2.5	1,31	1,08	0,801	0,763
Right Angle High Temperature Hybrid SMT Jacks - without Center Peg							
* 806-KLDX-SMT-0202A	KLDX-SMT-0202-A	E	2.0	1,12	1,11	0,809	0,646
* 806-KLDX-SMT-0202B	KLDX-SMT-0202-B	E	2.5	0,92	0,91	0,664	0,533
Right Angle High Temperature Hybrid SMT Jacks - with Center Peg							
* 806-KLDX-SMT0202AP	KLDX-SMT-0202-AP	E	2.0	0,92	0,902	0,664	0,525
* 806-KLDX-SMT0202BP	KLDX-SMT-0202-BP	E	2.5	0,96	0,943	0,69	0,552
Right Angle High Temperature SMT Jacks							
* 806-KLDX-SMT20202A	KLDX-SMT2-0202-A	F	2.0	-	-	-	-
* 806-KLDX-SMT20202B	KLDX-SMT2-0202-B	F	2.5	-	-	-	-
Panel Mount Jacks - Solder Eyelets							
806-KLDPX-0207-A	KLDPX-0207-A	G	2.0	0,74	0,696	0,521	0,415
806-KLDPX-0207-B	KLDPX-0207-B	G	2.5	0,72	0,706	0,521	0,405

MINI DC POWER JACKS (1.0MM AND 1.3MM)

- Built in DC On/Off Switch
- Screw machine contact center pin
- Housing: PBT Thermoplastic, UL94V-0 Rated
- Color: Black
- RoHS Compliance per Kycon Documentation
- Rated Current: 2.5 Amps
- Durability: 5000 Cycles
- Operating Temperature: -25°C to +85°C
- Rated Voltage: 24VDC



* High Temperature Thermoplastic UL94V-0 Rated

For quantities greater than listed, call for quote.

MOUSER STOCK NO.	Kycon Part No.	Fig.	Inner Pin (mm)	Price Each			
				1	25	100	500
Right Angle PCB Jacks							
806-KLDX-0201-A	KLDX-0201-A	H	1.0	0,55	0,467	0,345	0,319
806-KLDX-0201-B	KLDX-0201-B	H	1.3	0,71	0,617	0,482	0,376
Right Angle PCB Jacks - 1 and 2 Pins Crimped							
806-KLDX-0201-AC	KLDX-0201-AC	H	1.0	0,39	0,353	0,312	0,295
806-KLDX-0201-BC	KLDX-0201-BC	H	1.3	0,54	0,443	0,361	0,287
Right Angle High Temperature PCB Jacks							
* 806-KLDX-0201-AHT	KLDX-0201-AHT	H	1.0	0,55	0,492	0,443	0,41
* 806-KLDX-0201-BHT	KLDX-0201-BHT	H	1.3	0,99	0,828	0,569	0,521
Right Angle High Temperature SMT Jacks							
* 806-KLDX-SMT0201LA	KLDX-SMT-0201-LA	I	1.0	-	-	-	-
* 806-KLDX-SMT0201LB	KLDX-SMT-0201-LB	I	1.3	1,46	1,30	0,959	0,845

SNAP AND LOCK DC POWER CONNECTORS

- RoHS Compliance per Kycon Documentation
- Snap lock features prevents accidental disconnects
- 3 Position Contact Rating: Pin 1 & Pin 2: 20VDC at 7.5A max.; Pin 3: 20VDC at 1.0A max.
- 4 Position Contact Rating: 20VDC at 7.5A max. for all pins
- Color: Black



* Shielded

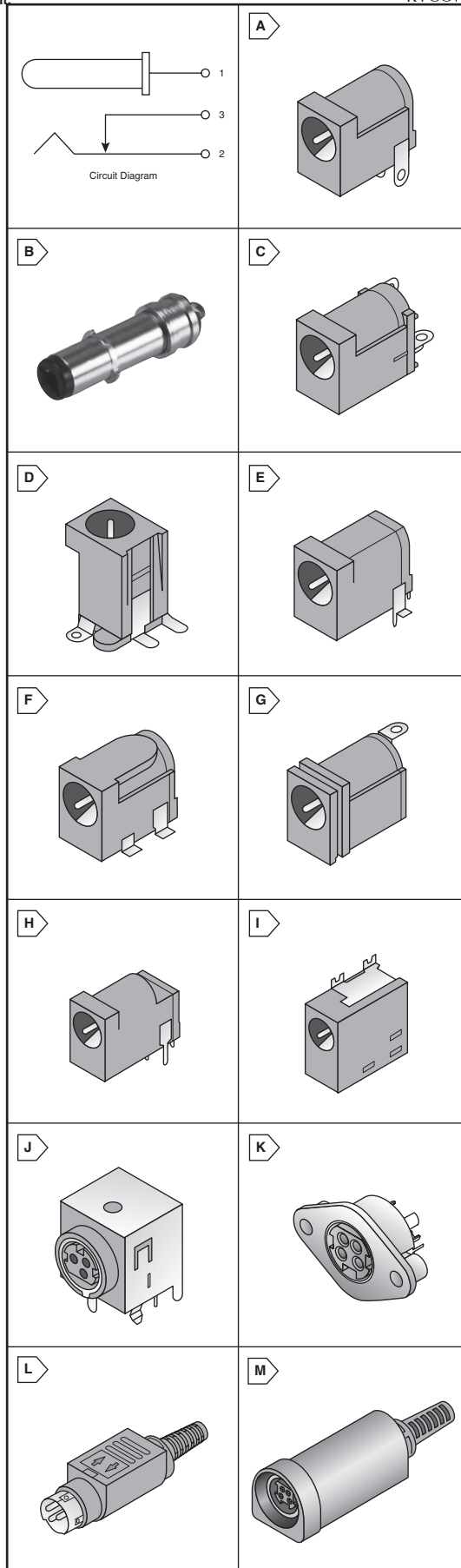
For quantities greater than listed, call for quote.

MOUSER STOCK NO.	Kycon Part No.	Fig.	No. of Contacts	Price Each			
				1	25	100	500
Right Angle PCB Jacks- Open Frame							
806-KPJX-3S	KPJX-3S	J	3	1,75	1,64	1,20	1,00
* 806-KPJX-3S-S	KPJX-3S-S	J	3	2,57	2,50	1,36	1,08
806-KPJX-4S	KPJX-4S	J	4	2,57	2,50	1,43	1,10
* 806-KPJX-4S-S	KPJX-4S-S	J	4	2,79	2,72	1,53	1,19
Panel Mount							
806-KPJX-PM-3S	KPJX-PM-3S	K	3	1,59	1,50	1,30	1,21
* 806-KPJX-PM-3S-S	KPJX-PM-3S-S	K	3	2,98	2,31	2,08	1,89
806-KPJX-PM-4S	KPJX-PM-4S	K	4	1,75	1,64	1,42	1,32
* 806-KPJX-PM-4S-S	KPJX-PM-4S-S	K	4	5,38	4,75	3,42	2,73
Cable Mount Plugs							
806-KPPX-3P	KPPX-3P	L	3	3,24	3,00	2,20	1,85
806-KPPX-4P	KPPX-4P	L	4	3,73	2,52	2,04	1,82
Cable Mount Socket							
806-KPJX-CM-3S	KPJX-CM-3S	M	3	3,71	3,30	2,97	2,70
806-KPJX-CM-4S	KPJX-CM-4S	M	4	3,90	3,43	3,08	2,79

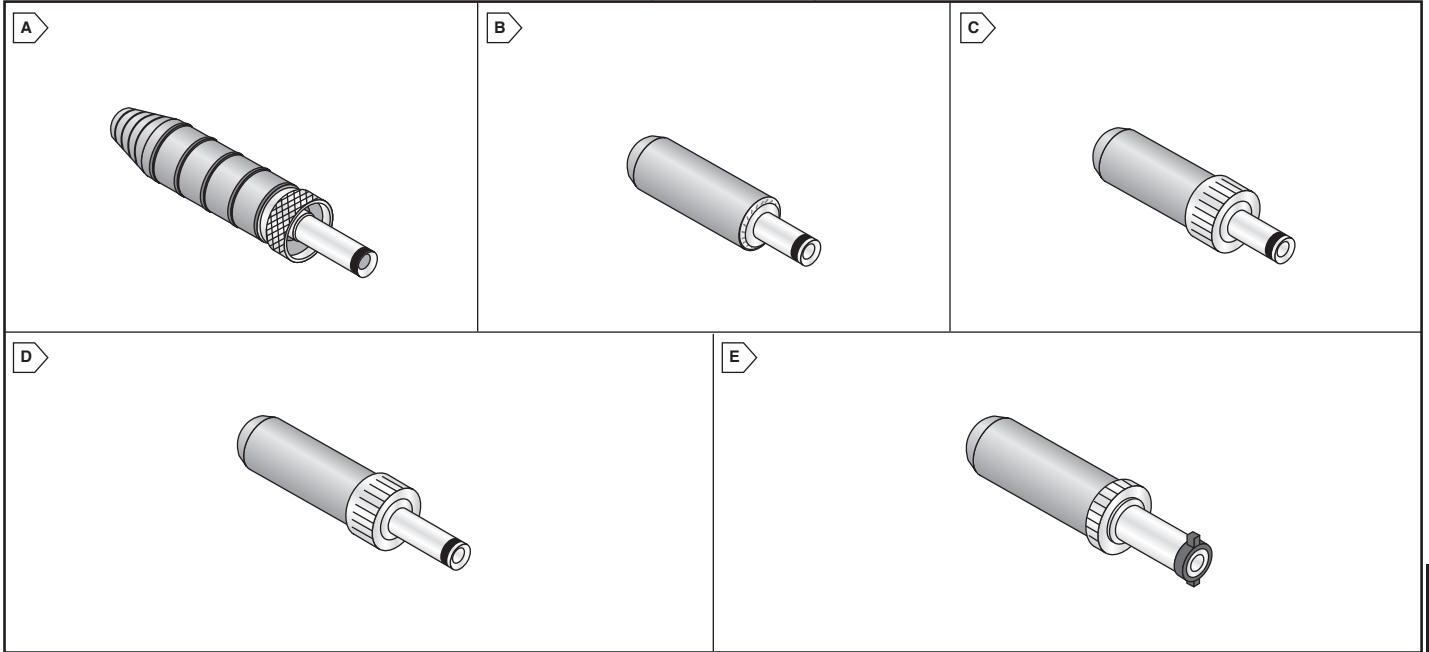
© Copyright 2012 Mouser Electronics

All Prices
In EURO

© Copyright 2012 Mouser Electronics



 **This product is RoHS compliant.**



MINIATURE SEALED POWER PLUGS

- IP rating of IP66,IP67,IP68/Nema 250 (6P) when mated
- Locking ring provides security in critical applications
- Sleeve terminal serves as cord clamp
- Handle/Boot with cable strain relief
- Plug sleeve and pin: Plated copper alloy
- Handle: Rigid thermoplastic overmolded with thermoplastic elastomer
- Lock ring: Plated copper alloy
- Lock ring thread size: 7/16-32 UN2B
- Handle thread size: 5/16-24 UNF 2A
- Rated current: 5 Amps
- Rated Voltage: Up to 30VDC



RoHS Compliant

For quantities greater than listed, call for quote.

MOUSER STOCK NO.	Switchcraft Part No.	Fig.	Pin Size (In./mm)	Mating Jack	Description	Price Each			
						1	5	10	50
502-761KS12	761KS12	A	.100"/2.5	L712AS, L712RAS, PCL712S	Black Tip, .125-.150" Cable O.D.	4,63	3,49	3,18	3,04
502-761KS15	761KS15	A	.100"/2.5	L712AS, L712RAS, PCL712S	Black Tip, .150-.175" Cable O.D.	4,63	3,49	3,18	3,04
502-761KS17	761KS17	A	.100"/2.5	L712AS, L712RAS, PCL712S	Black Tip, .175-.200" Cable O.D.	4,63	3,49	3,18	3,04
502-S761KS12	S761KS12	A	.08"/2.0	L722AS, L722RAS, PCL722S	White Tip, .125-.150" Cable O.D.	4,63	3,49	3,18	3,04
502-S761KS15	S761KS15	A	.08"/2.0	L722AS, L722RAS, PCL722S	White Tip, .150-.175" Cable O.D.	4,63	3,49	3,18	3,04
502-S761KS17	S761KS17	A	.08"/2.0	L722AS, L722RAS, PCL722S	White Tip, .175-.200" Cable O.D.	4,63	3,49	3,18	3,04
502-767KS12	767KS12	A	.084"/2.1	L722AS, L722RAS, PCL722S	Red Tip, .125-.150" Cable O.D.	5,09	3,84	3,50	3,35
502-767KS15	767KS15	A	.084"/2.1	L722AS, L722RAS, PCL722S	Red Tip, .150-.175" Cable O.D.	5,09	3,84	3,50	3,35
502-767KS17	767KS17	A	.084"/2.1	L722AS, L722RAS, PCL722S	Red Tip, .175-.200" Cable O.D.	5,09	3,84	3,50	3,35

MINIATURE POWER PLUGS

- Plug Sleeve and pin: Nickel-plated copper alloy
- Locking: Nickel-plated copper alloy
- Lockring Thread Size: 5/16 - 32 UNEF 2B
- Rated Current: 5 Amps
- Pin Length: 0.375"/ 9.5mm
- Molded Plastic Handle



RoHS Compliant

For quantities greater than listed, call for quote.

MOUSER STOCK NO.	Switchcraft Part No.	Fig.	Pin Size (In./mm)	Mating Jack	Description	Price Each			
						1	10	25	50
502-S-760	S760	B	.080"/2.0	722A, RAPC722X, PC722A	White Tip, Black Handle	1,60	1,55	1,53	1,44
502-762	762	B	.084"/2.1	Any 2.1 mm Jack and 722A, 722RA, PC722A	Red Tip, Black Handle	3,56	3,20	2,91	2,66
502-763	763	B	.084"/2.1	Any 2.1 mm Jack and 722A, 722RA, PC722A	Red Tip, Red Handle	4,13	3,56	3,12	2,78
502-760	760	B	.100"/2.5	712A, RAPC712X, RASH712X, RASM712X, PC712A	Black Tip, Black Handle	2,23	2,12	2,01	1,91
502-765	765	B	.100"/2.5	712A, RAPC712X, RASH712X, RASM712X, PC712A	Black tip, Red Handle	2,36	2,29	2,22	2,18

Locking Plugs

For quantities greater than listed, call for quote.

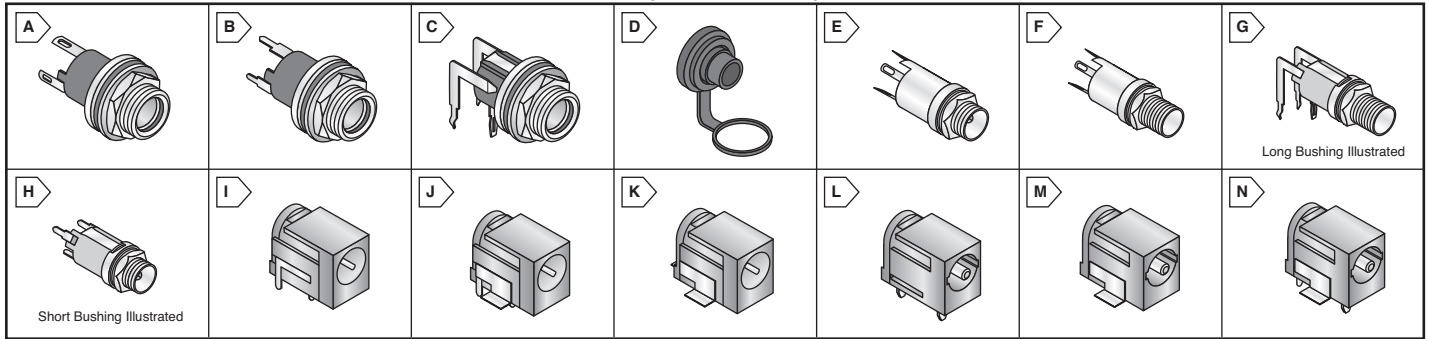
MOUSER STOCK NO.	Switchcraft Part No.	Fig.	Pin Size (In./mm)	Mating Jack	Description	Price Each			
						1	10	25	50
502-S760K	S760K	C	.080"/2.0	722A, PC722A, L722A	Black Tip, Black Handle	3,68	3,17	2,90	2,75
* 502-S761K	S761K	D	.080"/2.0	722A, PC722A, L722A	Black Tip, Black Handle	3,63	3,09	2,84	2,72
502-S760BK	S760BK	E	.080"/2.0	RAPC722BK, RASH722BK	White Locking Tip, Black Handle	3,60	3,42	3,25	3,17
502-762K	762K	C	.084"/2.1	Only 722A, 722RA, PC722A	Red Tip, Black Handle	5,15	4,64	4,22	3,86
502-763K	763K	C	.084"/2.1	Only 722A, 722RA, PC722A	Red Tip, Red Handle	5,15	4,64	4,22	3,86
* 502-767K	767K	D	.084"/2.1	Only L722A, L722RA, PCL722A	Red Tip, Black Handle	3,46	3,31	3,18	3,04
* 502-768K	768K	D	.084"/2.1	Only L722A, L722RA, PCL722A	Red Tip, Red Handle	5,15	4,64	4,22	3,86
502-760K	760K	C	.100"/2.5	712A, PC712A	Black Tip, Black Handle	3,45	3,00	2,76	2,60
502-760BK	760BK	E	.100"/2.5	RAPC712BK, RASH722BK	Black Locking Tip, Black Handle	3,60	3,42	3,25	3,17
* 502-761K	761K	D	.100"/2.5	L712A, L712PA, PCL712A	Black Tip, Black Handle	3,84	2,95	2,68	2,58

*Pin Length: 0.475"/12.1mm

© Copyright 2012 Mouser Electronics

© Copyright 2012 Mouser Electronics

RoHS Compliant This product is RoHS compliant.



MINIATURE SEALED POWER JACKS

- IP rating of IP66,IP67,IP68/Nema 250 (6P) when mated
- Automatic switch over from AC to DC permitted by sleeve shunt spring
- Split center pin shaped to hold mating plug firmly
- Optional IP rated cap (JCAP) protects jack when not in use
- Housing Material: Rigid Thermoplastic
- Bushing material: Plated copper alloy
- Jack Hardware: Supplied with one nickel plated copper alloy hex nut (P1489), one nickel plated steel flat washer (P3031) and one o-ring for sealing jack to panel
- Terminals: Plated copper alloy
- Insulators: Rigid thermoplastic
- Rated current: 5 Amps
- Rated Voltage: Up to 30VDC
- JCAP Material: Thermoplastic elastomer

For quantities greater than listed, call for quote.

MOUSER STOCK NO.	Switchcraft Part No.	Fig.	Pin Size (In./mm)	Mating Plug	Description	Price Each			
						1	10	25	50
502-L712AS	L712AS	A	.100"/2.5	761KS12, 761KS15, 761KS18	Solder Lug	3,52	3,26	2,98	2,85
502-PCL712AS	PCL712AS	B	.100"/2.5	761KS12, 761KS15, 761KS18	Straight PC Terminal	4,49	4,15	3,87	3,67
502-L712RAS	L712RAS	C	.100"/2.5	761KS12, 761KS15, 761KS18	Right Angle PC Terminal	3,98	3,45	3,14	3,04
502-L722AS	L722AS	A	.080"/2.0	S761KS12, S761KS15, S761KS18, 767KS12, 767KS15, 767KS18	Solder Lug	4,08	3,26	2,98	2,84
502-PCL722AS	PCL722AS	B	.080"/2.0	S761KS12, S761KS15, S761KS18, 767KS12, 767KS15, 767KS18	Straight PC Terminal	4,49	4,15	3,87	3,67
502-L722RAS	L722RAS	C	.080"/2.0	S761KS12, S761KS15, S761KS18, 767KS12, 767KS15, 767KS18	Right Angle PC Terminal	4,31	3,45	3,14	2,99
502-JCAP	JCAP	D	-	-	Power Jack Seal Cap	1,06	0,883	0,809	0,784

STRAIGHT MINIATURE POWER JACKS

For quantities greater than listed, call for quote.

MOUSER STOCK NO.	Switchcraft Part No.	Fig.	Pin Size (In./mm)	Mating Plug	Description	Price Each			
						1	10	25	50
502-712A	712A	E	.100"/2.5	760	Solder lug	2,14	2,03	1,93	1,83
502-L712A	L712A	F	.100"/2.5	761K	Solder lug, long bushing	3,55	2,82	2,59	2,48
502-712RA	712RA	G	.100"/2.5	760	Right angle, pc terminal	2,52	2,36	2,15	1,96
502-L712RA	L712RA	G	.100"/2.5	761K	Right angle, pc terminal, long bushing	3,40	3,23	3,07	2,91
502-PC712A	PC712A	H	.100"/2.5	760	Straight pc terminal	2,89	2,74	2,60	2,53
502-PCL712A	PCL712A	H	.100"/2.5	761K	PC Terminal, long bushing	3,72	3,51	3,32	3,14
502-722A	722A	E	.080"/2.0	S760	Solder lug	2,14	2,03	1,93	1,83
502-L722A	L722A	F	.080"/2.0	S761K	Solder lug, long bushing	3,76	2,82	2,59	2,47
502-722RA	722RA	G	.080"/2.0	S760	Right angle, pc terminal	2,66	2,53	2,40	2,34
502-L722RA	L722RA	G	.080"/2.0	S761K	Right angle, pc terminal, long bushing	3,81	3,04	2,79	2,54
502-PC722A	PC722A	H	.080"/2.0	S760	Straight pc terminal	2,86	2,72	2,58	2,51
502-PCL722A	PCL722A	H	.080"/2.0	S761K	PC Terminal, long bushing	3,38	3,19	2,82	2,70
502-732A	732A	E	.050"/1.25	860	Solder lug	2,93	2,51	2,30	2,09
502-2C1072	2C1072	-	-	-	Jack Cover for 712A and 722A	6,50	6,18	5,87	5,72

RIGHT ANGLE MINIATURE POWER JACKS

For quantities greater than listed, call for quote.

MOUSER STOCK NO.	Switchcraft Part No.	Fig.	Pin Size (In./mm)	Mating Plug	Description	Price Each			
						1	10	25	50
502-RAPC712X	RAPC712X	J	.100"/2.5	760, 765	PC mount	0,91	0,86	0,823	0,782
502-RASH712X	RASH712X	J	.100"/2.5	760, 765	Hybrid mount (PC & SMT)	1,27	0,965	0,883	0,842
502-RAPC722X	RAPC722X	I	.080"/2.0	S760	PC mount	1,01	0,891	0,817	0,784
502-RASH722X	RASH722X	J	.080"/2.0	S760	Hybrid mount (PC & SMT)	1,26	0,965	0,883	0,851
502-RASM712X	RASM712X	K	.100"/2.5	760, 765	Surface Mount (SMT)	1,24	1,17	1,11	1,08
502-RASM-712PX	RASM712PX	J	.100"/2.5	760, 765	Surface Mount, Locating Post (SMT)	2,02	1,52	1,43	1,32
502-RASM722X	RASM722X	K	.080"/2.0	S760	Surface Mount (SMT)	1,30	1,01	0,932	0,883
502-RASM722PX	RASM722PX	K	.080"/2.0	S760	Surface Mount, Locating Post (SMT)	1,63	1,49	1,41	1,17

LOCKING RIGHT ANGLE JACKS

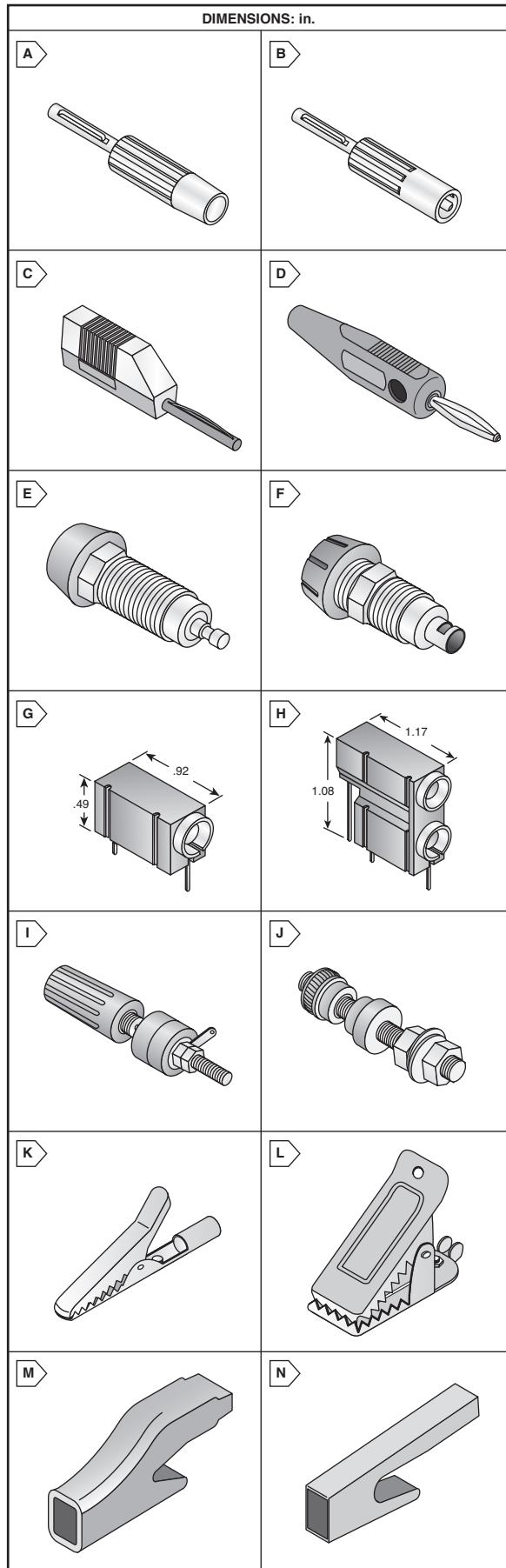
For quantities greater than listed, call for quote.

MOUSER STOCK NO.	Switchcraft Part No.	Fig.	Pin Size (In./mm)	Mating Plug	Description	Price Each			
						1	10	25	50
502-RAPC712BK	RAPC712BK	L	.100"/2.5	760BK	PC mount	1,50	1,43	1,36	1,32
502-RAPC722BK	RAPC722BK	L	.080"/2.0	S760BK	PC mount	1,50	1,43	1,36	1,32
502-RASM712BK	RASM712BK	M	.100"/2.5	760BK	Surface mount (SMT)	1,60	1,52	1,44	1,40
502-RASM722BK	RASM722BK	M	.080"/2.0	S760BK	Surface mount (SMT)	1,63	1,58	1,54	1,51
502-RASH712BK	RASH712BK	N	.100"/2.5	760BK	Hybrid mount (PC & SMT)	1,63	1,58	1,54	1,51
502-RASH722BK	RASH722BK	N	.080"/2.0	S760BK	Hybrid mount (PC & SMT)	1,63	1,58	1,54	1,51

MOUNTING HARDWARE

For quantities greater than listed, call for quote.

MOUSER STOCK NO.	Switchcraft Part No.	Description	Size (in.)	Price Each			
				1	10	25	50
502-P2439	P2439	Hex Nut, Nickel Plated	5/16-32	0,11	0,09	0,08	0,075
502-P1489	P1489	Hex Nut, Nickel Plated	7/16-32	0,55	0,503	0,462	0,413
502-P2441	P2441	Washer, Flat Nickel Plated	13/32 x 5/16	0,14	0,124	0,116	0,107
502-P3031	P3031	Washer, Flat Nickel Plated	5/8 x 7/16	0,41	0,371	0,347	0,314
502-P2442	P2442	Washer, Phenolic w/ Shoulder	1/2 x 5/16	0,13	0,11	0,088	0,087
502-S4263	S4263	Washer, Insulating w/ Shoulder	1/2 x 5/16	0,29	0,23	0,224	0,213
502-S-1029	S1029	Washer, Fiber w/ Shoulder	5/8 x 3/8	0,31	0,30	0,288	0,273
502-S-1028	S1028	Washer, Rigid Plastic (Brown)	5/8 x 3/8	0,15	0,13	0,125	0,119
502-S2207	S2207	Washer, Rigid Plastic	7/16 x 9/32	0,41	0,371	0,305	0,289



DELTRON BANANA PLUGS

These banana plugs fit all standard banana jacks and are interchangeable with all standard banana plugs. These plugs are available in a variety of styles and sizes to meet all kinds of industrial, OEM, and consumer applications.



RoHS Compliant

For quantities greater than listed, call for quote.

MOUSER STOCK NO.	Fig.	Description	Dimensions: in.		Price Each			
			H	Dia.	1	10	100	500
17HR549	A	Red, mates with 164-6217	1.72	.31	0,95	0,861	0,787	0,72
17HR550	A	Black, mates with 164-6216	1.72	.31	0,81	0,713	0,648	0,591
174-5791	B	Black, 7.1mm cable max	1.92	.39	1,66	1,39	1,26	1,15
174-5795	B	Red, 7.1mm cable max	1.92	.39	1,66	1,39	1,26	1,15
174-5801	B	Black, 7.1mm cable max, gold plated	1.92	.39	4,94	4,41	3,53	3,26
174-5805	B	Red, 7.1mm cable max, gold plated	1.92	.39	4,94	4,41	4,07	3,58
164-5310	C	Black, stackable	1.97	.45	1,49	1,34	1,21	1,00
164-5350	C	Red, stackable	1.97	.45	1,30	1,18	1,05	0,877
164-5501	D	Black, side stackable	2.36	.39	2,96	2,64	2,28	1,98
164-5505	D	Red, side stackable	2.36	.39	2,96	2,64	2,28	1,98

DELTRON BANANA JACKS



RoHS Compliant

For quantities greater than listed, call for quote.

MOUSER STOCK NO.	Fig.	Description	Dimensions: in.		Price Each			
			H	Dia.	1	10	100	500
164-6216	E	Banana jack, black	1.15	.46	1,08	0,951	0,869	0,792
164-6217	E	Banana jack, red	1.15	.46	1,07	0,943	0,861	0,779
164-6310	F	Banana jack, black, panel mount, solder bucket	1.12	.46	0,94	0,836	0,766	0,692
164-6350	F	Banana jack, red, panel mount, solder bucket	1.12	.46	0,94	0,836	0,766	0,692

DELTRON PCB INSULATED BANANA PLUG SOCKETS

These new sockets mount directly onto printed circuit boards and accept standard banana plugs. They incorporate alignment grooves in the outer housing which allows close mounting. A double height socket permits two test or feed points to be mounted to a PCB. Both single and double sockets are constructed of durable acetal plastic and are rated at 10 amps. Available in red or black.



RoHS Compliant

For quantities greater than listed, call for quote.

MOUSER STOCK NO.	Fig.	Description	Price Each			
			1	10	100	500
164-6218	G	Single printed circuit board socket, black	1,43	1,19	0,894	0,743
164-6219	G	Single printed circuit board socket, red	1,69	1,41	1,29	1,16
164-7140	G	Single printed circuit board, green	1,75	1,46	1,33	1,21
† 164-6220	H	Double printed circuit board socket, black	2,64	2,12	1,98	1,81
† 164-6221	H	Double printed circuit board socket, red	2,73	2,18	2,04	1,87

† For use with single banana plugs only. Dual banana plugs will not fit.

DELTRON INSULATED BINDING POSTS

For quantities greater than listed, call for quote.

MOUSER STOCK NO.	Fig.	Description	Dimensions: in.		Price Each			
			H	Dia.	1	10	100	500
164-4201	I	Insulated binding post, black	1.84	.50	1,62	1,36	1,23	1,13
164-4205	I	Insulated binding post, red	1.84	.50	1,80	1,49	1,36	1,24
164-4202	I	Insulated binding post, blue	1.84	.50	1,69	1,41	1,28	1,16
164-4204	I	Insulated binding post, green	1.84	.50	1,69	1,41	1,28	1,16
164-4206	I	Insulated binding post, white	1.84	.50	1,69	1,41	1,28	1,16
164-4207	I	Insulated binding post, yellow	1.84	.50	1,69	1,41	1,28	1,16

DELTRON NON-INSULATED BINDING POST

• Nickel Plated Finish • 30A Rating



RoHS Compliant

For quantities greater than listed, call for quote.

MOUSER STOCK NO.	Fig.	Description	Dimensions: in.		Price Each			
			H	Dia.	1	10	100	500
164-4200	J	Non-insulated terminal binding post	1.50	.47	2,07	1,87	1,72	1,57

DELTRON CROCODILE CLIPS

• Nickel Plated Finish



RoHS Compliant

For quantities greater than listed, call for quote.

MOUSER STOCK NO.	Fig.	Description	Dimensions: in.		Price Each			
			H	Dia.	1	10	100	500
131-3000	K	Alligator clip, 5 amp, rear banana plug entry	2.01	.32	0,56	0,508	0,459	0,418
131-4000	L	Alligator clip, 25 amp	2.95	.63	1,30	1,18	1,07	0,976

DELTRON CROCODILE CLIP INSULATORS



RoHS Compliant

For quantities greater than listed, call for quote.

MOUSER STOCK NO.	Fig.	Description	Price Each			
			1	10	100	500
131-2010	M	Black insulator for 131-3000	0,44	0,418	0,402	0,385
131-2050	M	Red insulator for 131-3000	0,44	0,418	0,402	0,385
131-0010	N	Black insulator for 131-4000	0,53	0,484	0,443	0,402
131-0050	N	Red insulator for 131-4000	1,06	1,03	0,992	0,968

JOHNSON Banana Plugs and Jacks, Binding Posts Johnson®

RoHS Compliant This product is RoHS compliant.

BANANA PLUGS

For quantities greater than listed, call for quote.

MOUSER STOCK NO.	Johnson Components Part No.	Fig.	Color	Amps	Max. Wire	Price Each					
						1	10	25	100	500	1000
Insulated Side Set Screw Solderless											
530-108-1702-101	108-1702-101	A	Red	15	16AWG	1,99	1,69	1,56	1,46	1,41	1,34
530-108-1703-101	108-1703-101	A	Black	15	16AWG	1,99	1,69	1,56	1,46	1,41	1,34
Insulated Solderless Tapered Handle											
530-108-0302-1	108-0302-001	B	Red	15	16AWG	0,98	0,88	0,794	0,754	0,696	0,662
530-108-0303-1	108-0303-001	B	Black	15	16AWG	0,98	0,88	0,795	0,755	0,696	0,663
530-108-0301-1	108-0301-001	B	White	15	16AWG	0,98	0,88	0,795	0,755	0,696	0,663
530-10803041	108-0304-001	B	Green	15	16AWG	0,98	0,88	0,794	0,754	0,696	0,662
530-108-0306-1	108-0306-001	B	Orange	15	16AWG	0,98	0,88	0,794	0,754	0,696	0,662
530-108-0307-1	108-0307-001	B	Yellow	15	16AWG	3,37	3,02	2,81	2,38	1,87	1,77
530-108-0308-1	108-0308-001	B	Brown	15	16AWG	0,98	0,88	0,794	0,754	0,696	0,662
530-108-0310-1	108-0310-001	B	Blue	15	16AWG	0,98	0,88	0,794	0,754	0,696	0,662
530-108-0312-1	108-0312-001	B	Violet	15	16AWG	0,98	0,88	0,794	0,754	0,696	0,662
530-108-0313-1	108-0313-001	B	Gray	15	16AWG	1,07	0,96	0,871	0,827	0,78	0,78
Insulated Hex Body Solder Long Handle											
530-108-0752-2	108-0752-002	C	Red	15	16AWG	1,73	1,55	1,41	1,33	1,27	1,09
530-108-0752-1	108-0752-001	C	Black	15	16AWG	1,41	1,27	1,15	1,09	0,983	0,921
Insulated Round Body Solder Stud											
530-108-1723-101	108-1723-101	D	Black	15	16AWG	2,44	2,17	1,95	1,85	1,85	1,85
530-108-1722-101	108-1722-101	D	Red	15	16AWG	2,44	2,17	1,95	1,85	1,85	1,85
530-108-1722-103	108-1722-103	D	Red	15	16AWG	1,80	1,62	1,46	1,39	1,39	1,39
Insulated Stacking Single											
530-108-1082-1	108-1082-001	E	Red	15	16AWG	1,63	1,46	1,32	1,25	1,13	1,04
530-108-1083-1	108-1083-001	E	Black	15	16AWG	1,63	1,46	1,32	1,25	1,13	1,04
530-108-1081-1	108-1081-001	E	White	15	16AWG	1,63	1,46	1,32	1,25	1,13	1,04
Dual-Insulated Stacking Set Screw											
530-108-0252-1	108-0252-001	F	Red	15	14AWG	5,41	4,87	4,38	4,16	3,81	3,71
530-108-0253-1	108-0253-001	F	Black	15	14AWG	6,69	5,95	4,94	4,70	4,30	4,19
Uninsulated Panel .375" Threaded Stud											
530-108-0750-1	108-0750-001	G	Nickel	15	14AWG	1,23	1,11	0,99	0,945	0,865	0,815
Uninsulated Panel Screw Type											
530-108-0753-1	108-0753-001	H	Silver	15	14AWG	0,97	0,87	0,783	0,744	0,649	0,60
Miniature-Insulated Solder Type											
530-108-1002-1	108-1002-001	I	Red	10	18AWG	1,78	1,60	1,44	1,37	1,29	1,19
530-108-1003-1	108-1003-001	I	Black	10	18AWG	1,78	1,60	1,44	1,37	1,29	1,19

BANANA JACKS

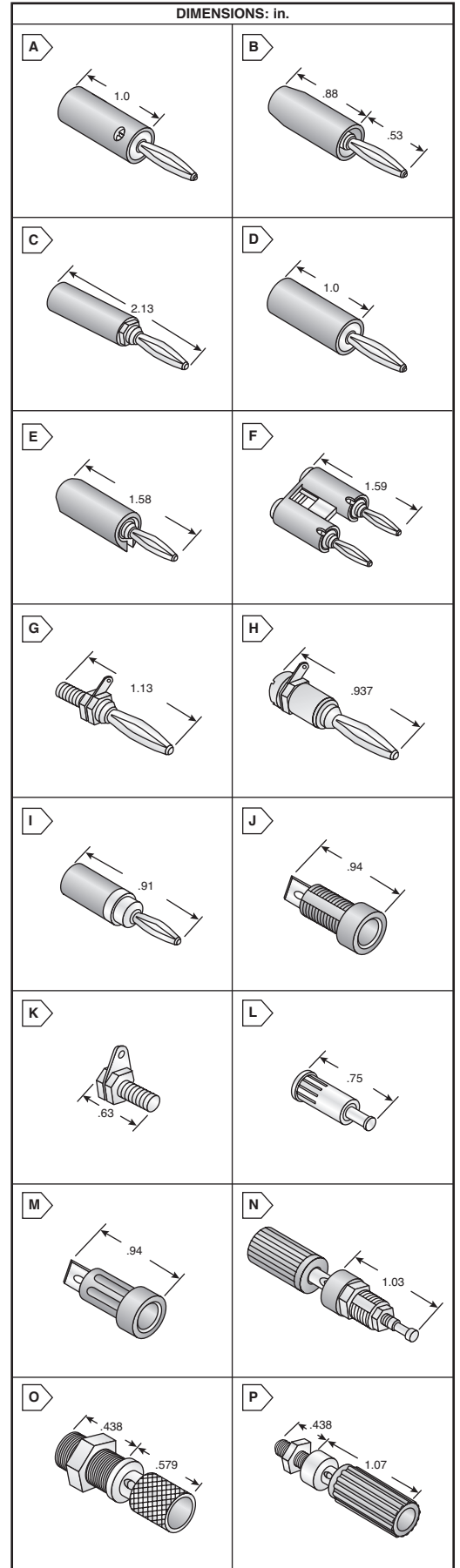
For quantities greater than listed, call for quote.

MOUSER STOCK NO.	Johnson Components Part No.	Fig.	Color	Amps	Max. Wire	Price Each					
						1	10	25	100	500	1000
Insulated Solder Terminal											
530-108-0902-1	108-0902-001	J	Red	15	16AWG	0,46	0,42	0,376	0,357	0,304	0,304
530-108-0903-1	108-0903-001	J	Black	15	16AWG	0,46	0,42	0,376	0,357	0,304	0,304
530-108-0901-1	108-0901-001	J	White	15	16AWG	0,46	0,42	0,376	0,357	0,304	0,304
530-1080904-1	108-0904-001	J	White	15	16AWG	0,49	0,44	0,393	0,374	0,352	0,33
530-108-0906-1	108-0906-001	J	Orange	15	16AWG	0,46	0,42	0,376	0,357	0,333	0,31
530-108-0907-1	108-0907-001	J	Yellow	15	16AWG	0,46	0,42	0,376	0,357	0,333	0,31
530-108-0908-1	108-0908-001	J	Brown	15	16AWG	0,49	0,44	0,393	0,374	0,352	0,33
530-108-0910-1	108-0910-001	J	Blue	15	16AWG	0,46	0,42	0,376	0,357	0,333	0,31
530-108-0912-1	108-0912-001	J	Violet	15	16AWG	0,49	0,44	0,393	0,374	0,352	0,33
530-108-0913-1	108-0913-001	J	Grey	15	16AWG	0,46	0,42	0,376	0,357	0,333	0,31
Insulated Pierced Lug Terminal											
530-108-0745-001	108-0745-001	K	Nickel	15	12AWG	5,36	5,02	4,37	3,98	3,72	3,47
Uninsulated Solder Terminal											
530-108-0740-1	108-0740-001	K	Nickel	15	12AWG	1,16	1,04	0,94	0,893	0,778	0,713
Miniature-Insulated Rib-Loc® Turret Terminal											
530-108-1102-1	108-1102-001	L	Red	10	- - -	1,13	0,912	0,817	0,707	0,644	0,613
Insulated Rib-Loc® Solder Terminal											
530-108-2301-1	108-2301-801	M	White	15	16AWG	0,50	0,45	0,41	0,39	0,39	0,39
530-108-2302-1	108-2302-801	M	Red	15	16AWG	0,46	0,41	0,371	0,353	0,336	0,329

BINDING POSTS

For quantities greater than listed, call for quote.

MOUSER STOCK NO.	Johnson Components Part No.	Fig.	Color	Amps	Panel Thickness	Price Each					
						1	10	25	100	500	1000
Insulated Standard											
530-111-0102-1	111-0102-001	N	Red	15	up to .281	1,88	1,69	1,52	1,45	1,28	1,28
530-111-0103-1	111-0103-001	N	Black	15	up to .281	1,88	1,69	1,52	1,45	1,36	1,23
530-111-0101-1	111-0101-001	N	White	15	up to .281	1,88	1,69	1,52	1,45	1,36	1,32
530-111-0104-1	111-0104-001	N	Green	15	up to .281	2,46	2,22	1,99	1,89	1,79	1,71
530-111-0107-1	111-0107-001	N	Yellow	15	up to .281	2,51	2,40	2,29	2,23	2,04	1,89
530-111-0110-1	111-0110-001	N	Blue	15	up to .281	2,74	2,47	2,21	2,10	1,91	1,91
Uninsulated Grounded Type											
530-111-2223-001	111-2223-001	O	Nickel	15	up to .281	2,24	2,02	1,82	1,72	1,56	1,53
Insulated Grounded Type											
530-111-0702-001	111-0702-001	P	Red	15	up to .313	2,28	2,05	1,85	1,75	1,66	1,57
530-111-0703-001	111-0703-001	P	Black	15	up to .313	2,28	2,05	1,85	1,75	1,66	1,57



RoHS Compliant This product is RoHS compliant.

TIP PLUGS

Insulated Solderless Type

For quantities greater than listed, call for quote.

MOUSER STOCK NO.	Johnson Components Part No.	Fig.	Amp	Max Wire	Color	Price Each					
						1	10	25	100	500	1000
530-105-0302-1	105-0302-001	A	10	16AWG	Red	0,72	0,65	0,587	0,558	0,535	0,487
530-105-0303-1	105-0303-001	A	10	16AWG	Black	0,72	0,65	0,587	0,558	0,535	0,487
530-105-0301-1	105-0301-001	A	10	16AWG	White	0,72	0,65	0,587	0,558	0,535	0,487
530-105-0304-1	105-0304-001	A	10	16AWG	Green	0,72	0,65	0,587	0,558	0,535	0,487
530-105-0310-1	105-0310-001	A	10	16AWG	Blue	0,72	0,65	0,587	0,558	0,535	0,487

Insulated Small Handle Type

For quantities greater than listed, call for quote.

530-105-0772-1	105-0772-001	B	10	16AWG	Red	0,84	0,75	0,677	0,644	0,609	0,575
530-105-0773-1	105-0773-001	B	10	16AWG	Black	0,84	0,75	0,677	0,644	0,609	0,575

TIP JACKS

Insulated Metal Clad Standard Type

For quantities greater than listed, call for quote.

MOUSER STOCK NO.	Johnson Components Part No.	Fig.	Amp	Panel Thickness	Color	Price Each					
						1	10	25	100	500	1000
530-105-0251-1	105-0251-001	C	10	Up to .281"	White	1,11	0,99	0,89	0,86	-	-
530-105-0252-1	105-0252-001	C	10	Up to .281"	Red	0,98	0,89	0,80	0,76	0,70	0,64
530-105-0253-1	105-0253-001	C	10	Up to .281"	Black	0,98	0,89	0,80	0,76	0,70	0,64
530-105-0201-200	105-0201-200	C	10	Up to .281"	White	2,59	2,52	2,48	2,44	-	-
530-105-0202-200	105-0202-200	C	10	Up to .281"	Red	2,59	2,52	2,48	2,44	-	-
530-105-0203-200	105-0203-200	C	10	Up to .281"	Black	2,59	2,52	2,48	2,44	-	-
530-105-0204-200	105-0204-200	C	10	Up to .281"	Green	2,59	2,52	2,48	2,44	-	-

Insulated Standard

For quantities greater than listed, call for quote.

530-105-0802-1	105-0802-001	D	10	Up to .437"	Red	0,60	0,54	0,489	0,464	0,43	0,383
530-105-0803-1	105-0803-001	D	10	Up to .437"	Black	0,60	0,54	0,489	0,464	0,43	0,383
530-105-0801-1	105-0801-001	D	10	Up to .437"	White	0,60	0,54	0,489	0,464	0,43	-
530-105-0804-1	105-0804-001	D	10	Up to .437"	Green	0,60	0,54	0,489	0,464	0,43	0,383
530-105-0807-1	105-0807-001	D	10	Up to .437"	Yellow	0,60	0,54	0,489	0,464	0,43	0,383
530-105-0810-1	105-0810-001	D	10	Up to .437"	Blue	0,60	0,54	0,489	0,464	0,43	-

Insulated Standard Rib-Loc®

For quantities greater than listed, call for quote.

530-105-1042-1	105-1042-001	E	5	Up to .375"	Red	1,00	0,90	0,81	0,77	0,689	0,645
530-105-1043-1	105-1043-001	E	5	Up to .375"	Black	1,00	0,90	0,81	0,77	0,689	0,645
530-105-1041-1	105-1041-001	E	5	Up to .375"	White	1,00	0,90	0,81	0,77	0,689	0,645
530-105-1044-1	105-1044-001	E	5	Up to .375"	Green	0,95	0,90	0,81	0,77	-	-
530-105-1047-1	105-1047-001	E	5	Up to .375"	Yellow	1,00	0,90	0,81	0,77	0,689	0,645
530-105-1050-1	105-1050-001	E	5	Up to .375"	Blue	1,15	1,02	0,815	0,718	0,695	-

Insulated Deluxe

For quantities greater than listed, call for quote.

530-105-0602-1	105-0602-001	F	10	Up to .437"	Red	1,05	0,94	0,848	0,805	0,736	0,679
530-105-0603-1	105-0603-001	F	10	Up to .437"	Black	1,05	0,94	0,848	0,805	0,736	0,679
530-105-0601-1	105-0601-001	F	10	Up to .437"	White	1,05	0,94	0,848	0,805	0,736	0,679
530-105-0604-1	105-0604-001	F	10	Up to .437"	Green	1,26	1,12	0,94	0,89	0,83	-
530-105-0607-1	105-0607-001	F	10	Up to .437"	Yellow	1,05	0,94	0,848	0,805	0,747	-
530-105-0610-1	105-0610-001	F	10	Up to .437"	Blue	1,05	0,94	0,848	0,805	0,736	0,679

TEST JACKS

Horizontal Insulated Standard

For quantities greater than listed, call for quote.

MOUSER STOCK NO.	Johnson Components Part No.	Fig.	Amp	Pin Spacing	Color	Price Each					
						1	10	25	100	500	1000
530-105-0751-1	105-0751-001	G	5	.400"	White	0,38	0,34	0,31	0,29	0,27	0,265
530-105-0752-1	105-0752-001	G	5	.400"	Red	0,38	0,34	0,31	0,29	0,27	0,265
530-10507531	105-0753-001	G	5	.400"	Black	0,38	0,34	0,314	0,298	0,272	0,265
530-105-0754-1	105-0754-001	G	5	.400"	Green	0,43	0,39	0,354	0,336	0,293	-
530-105-0757-1	105-0757-001	G	5	.400"	Yellow	0,63	0,56	0,51	0,48	0,42	-
530-105-0756-1	105-0756-001	G	5	.400"	Orange	0,59	0,53	0,48	0,455	0,416	-
530-105-0758-1	105-0758-001	G	5	.400"	Brown	0,59	0,53	0,48	0,455	0,416	-
530-105-0760-1	105-0760-001	G	5	.400"	Blue	0,63	0,56	0,51	0,48	0,42	-
530-105-0762-1	105-0762-001	G	5	.400"	Violet	0,59	0,53	0,48	0,455	0,416	-
530-105-0763-1	105-0763-001	G	5	.400"	Gray	0,56	0,528	0,513	0,484	0,473	-

Horizontal Insulated Miniature

For quantities greater than listed, call for quote.

530-105-1101-1	105-1101-001	H	5	.200"	White	0,36	0,32	0,291	0,276	0,252	0,24
530-105-1102-1	105-1102-001	H	5	.200"	Red	0,36	0,32	0,291	0,276	0,252	0,24
530-105-1103-1	105-1103-001	H	5	.200"	Black	0,36	0,32	0,291	0,276	0,252	0,24
530-105-1104-1	105-1104-001	H	5	.200"	Green	0,44	0,39	0,36	0,342	0,312	0,297
530-105-1107-1	105-1107-001	H	5	.200"	Yellow	0,36	0,32	0,291	0,276	0,252	0,24
530-105-1110-1	105-1110-001	H	5	.200"	Blue	0,36	0,32	0,291	0,276	0,252	0,24

Vertical Insulated - Machined Contact

For quantities greater than listed, call for quote.

530-105-0851-1	105-0851-001	I	5	---	White	0,90	0,82	0,73	0,70	0,64	-
530-105-0852-1	105-0852-001	I	5	---	Red	0,81	0,72	0,68	0,65	0,64	-
530-105-0853-1	105-0853-001	I	5	---	Black	0,76	0,73	0,69	0,64	-	-

Vertical Insulated - Formed Contact

For quantities greater than listed, call for quote.

530-105-2201-1	105-2201-201	J	5	---	White	0,49	0,44	0,397	0,377	0,331	0,309
530-105-2202-1	105-2202-201	J	5	---	Red	0,49	0,44	0,397	0,377	0,331	0,309
530-105-2203-1	105-2203-201	J	5	---	Black	0,49	0,44	0,397	0,377	0,331	0,309

DIMENSIONS: in.

Audio/Video Connectors Johnson Components

KYCON Stereo Audio Jacks



This product is RoHS compliant.



2.5MM STEREO AUDIO JACKS

- Used in devices such as audio equipment, cell phones, or digital still camera
- Housing: High Temperature Thermoplastic, UL94V-0 Rated
- Durability: 5000 Mating Cycles
- Complies with EIA standards
- RoHS Compliance per Kycon Documentation
- Operating Temperature: -25°C to +80°C
- Terminals: Copper Alloy, Silver or Gold plating
- Color: Black
- Non-threaded



* Housing: PBT Thermoplastic, UL94V-0 Rated

For quantities greater than listed, call for quote.

MOUSER STOCK NO.	Kycon Part No.	Fig.	Description	Circuit Diagram	Price Each		
					1	25	100
* 806-STX-2000-3N	STX-2000-3N	A	3P, Thru-Hole	1	0,71	0,562	0,415
806-STX-2500-3N	STX-2500-3N	B	3P, Surface Mount	1	0,65	0,533	0,385
806-STX-25406-4N-TR	STX-25406-4N-TR	C	4P, Surface Mount, Silver terminals	2	0,91	0,828	0,771
806-STX-25406-5N-TR	STX-25406-5N-TR	3	5P, Surface Mount, Silver terminals	3	0,87	0,787	0,738
806-STX-25427-6N-TR	STX-25427-6N-TR	D	6P, Surface Mount, Gold terminals	4	1,12	1,03	0,951
806-STX-25441-6N-TR	STX-25441-6N-TR	E	6P, Surface Mount, Gold terminals	4	1,03	0,943	0,869
806-STX-25443-7N-TR	STX-25443-7N-TR	F	7P, Surface Mount, Gold terminals	5	1,16	1,06	0,976

3.5MM STEREO AUDIO JACKS – PCB MOUNT, ALL PLASTIC

- Housing: PBT Thermoplastic, UL94V-0 Rated
- Durability: 5000 Mating Cycles
- Operating Temperature: -25°C to +80°C
- Non-threaded
- RoHS Compliance per Kycon Documentation
- All Plastic
- Color: Black



For quantities greater than listed, call for quote.

MOUSER STOCK NO.	Kycon Part No.	Fig.	Description	Circuit Diagram	Price Each		
					1	25	100
806-STX-3000	STX-3000	G	3P, Thru-Hole	1	0,72	0,657	0,483
806-STX-3120-3B	STX-3120-3B	H	3P, Thru-Hole	6	0,58	0,533	0,395
With Switch (DPST)							
806-STX-3120-5B	STX-3120-5B	H	5P, Thru-Hole, Black	7	0,73	0,636	0,462
806-STX-31205B577C	STX-3120-5B-577C	H	5P, Thru-Hole, Green	7	0,57	0,533	0,385

3.5MM STEREO AUDIO JACKS – PCB MOUNT, THRU-HOLE

- Housing: PBT Thermoplastic, UL94V-0 Rated
- Durability: 5000 Mating Cycles
- Switch Spring: SWP Steel
- Clip: P.B.S.
- Sleeve: SPCC, Nickel plated
- TIP and Ring: P.B.S., Tin plated
- Color: Black
- Terminals: Copper Alloy, Tin plated
- Thru-Hole
- Operating Temperature: -25°C to +80°C
- Sleeve Spring: Phosphor Bronze
- Clip Housing: Polyacetal
- RoHS Compliance per Kycon Documentation
- Terminals: Brass Silver plated
- Bushing: Copper Alloy, Nickel plated
- Contact Rating: 16VDC @ 0.3 Amps



* w/ Back Plate

For quantities greater than listed, call for quote.

MOUSER STOCK NO.	Kycon Part No.	Fig.	Description	Circuit Diagram	Price Each		
					1	25	100
806-STX-3100-3C	STX-3100-3C	I	3P, Threaded	6	0,95	0,853	0,631
806-STX-3100-3N	STX-3100-3N	I	3P, Non-Threaded	6	0,76	0,73	0,533
* 806-STX-3100-3NB	STX-3100-3NB	I	3P, Non-Threaded	6	0,82	0,771	0,539
806-STX-3100-5C	STX-3100-5C	I	5P, Threaded	7	1,07	0,959	0,705
806-STX-3100-5N	STX-3100-5N	I	5P, Non-Threaded	7	0,97	0,91	0,664
* 806-STX-3100-5NB	STX-3100-5NB	I	5P, Non-Threaded	7	1,01	0,959	0,705
806-STX-3100-9N	STX-3100-9N	I	9P, Non-Threaded	8	0,98	0,943	0,693
806-STX-3100-9C	STX-3100-9C	I	9P, Threaded	8	0,97	0,877	0,763

3.5MM STEREO AUDIO JACKS – PCB MOUNT, SLIM DESIGN

- Housing: PBT Thermoplastic, UL94V-0 Rated
- Terminals & Contacts: Phosphor Bronze, Tin plated
- Straight leads
- Contact rating: 16VDC @ 0.3 Amps
- Durability: 5000 Mating Cycles
- Operating Temperature: -25°C to +80°C
- Thru-Hole
- Color: Black
- RoHS Compliance per Kycon Documentation
- Bushing: Brass, Nickel plated



For quantities greater than listed, call for quote.

MOUSER STOCK NO.	Kycon Part No.	Fig.	Description	Circuit Diagram	Price Each		
					1	25	100
806-STX-3150-3C	STX-3150-3C	J	3P, Threaded	9	0,83	0,689	0,517
806-STX-3150-3N	STX-3150-3N	J	3P, Non-Threaded	1	0,97	0,803	0,59
With Switch (DPST)							
806-STX-3150-5C	STX-3150-5C	J	5P, Threaded	10	0,86	0,746	0,549
806-STX-3150-5N	STX-3150-5N	J	5P, Non-Threaded	10	1,09	0,935	0,685
806-STX-31505N577C	STX-3150-5N-577C	J	5P, Non-Threaded, Green	10	0,98	0,845	0,622
806-STX-31505N701C	STX-3150-5N-701C	J	5P, Non-Threaded, Pink	10	0,84	0,717	0,526

3.5MM STEREO AUDIO JACKS – ALL PLASTIC

- Housing: PBT Thermoplastic, UL94V-0 Rated
- Terminals: Copper Alloy, Silver over Nickel plated
- Contact rating: 16VDC @ 0.3 Amps
- Durability: 5000 Mating Cycles
- Operating Temperature: -25°C to +80°C
- Non-Threaded
- All Plastic
- RoHS Compliance per Kycon Documentation
- Color: Black



* High Temperature Thermoplastic UL94V-0 Rated

For quantities greater than listed, call for quote.

MOUSER STOCK NO.	Kycon Part No.	Fig.	Description	Circuit Diagram	Price Each		
					1	25	100
* 806-STX-3500-3NTR	STX-3500-3NTR	K	3P, Surface Mount	11	0,99	0,894	0,665
806-STX-3501-3N	STX-3501-3N	K	3P, Thru-Hole	11	1,21	1,09	0,795
806-STX-3500-4NTR	STX-3500-4NTR	K	4P, Surface Mount	12	0,99	0,91	0,672

Circuit Diagrams

Audio Jacks

KYCON 3.5mm Stereo Audio Jacks



3.5MM STEREO AUDIO JACKS - MID-MOUNT

RoHS Compliant This product is RoHS compliant.

- Housing: High Temp, Plastic
- Terminals: Copper Alloy, Silver Plated
- Contact Resistance: Before Durability Test: 50 milliohms max. After Durability Test: 100 milliohms max.

- Rated Voltage: 16V DC
- Rated Current: 0.3A
- Insulation Resistance: 100 megohms min. at 500V DC
- Dielectric Strength: 500V AC RMS for 1 minute
- Operating Temperature: -25°C to +85°C



For quantities greater than listed, call for quote.

MOUSER STOCK NO.	Kycon Part No.	Fig.	Description	Circuit Diagram	Price Each		
					1	25	100
806-STX-35398A-5N-TR	STX-35398A-5N-TR	A	5P, Thru hole and SMT contacts with barrel	1	1,02	0,927	0,828
806-STX-35398E-5N-TR	STX-35398E-5N-TR	B	Thru hole contacts without barrel	1	1,19	1,08	0,968

3.5MM STEREO AUDIO JACKS – PCB MOUNT, LOW PROFILE THRU-HOLE

- Housing: PBT Thermoplastic 15% Glass Filled, UL94V-0 Rated
- Durability: 5000 Mating Cycles
- Operating Temperature: -25°C to +80°C
- RoHS Compliance per Kycon Documentation
- Color: Clear



For quantities greater than listed, call for quote.

MOUSER STOCK NO.	Kycon Part No.	Fig.	Description	Circuit Diagram	Price Each		
					1	25	100
806-STX-3081-3N	STX-3081-3N	C	3P, Non-Threaded	2	0,59	0,549	0,412
806-STX-3081-3C	STX-3081-3C	C	3P, Threaded	2	0,89	0,812	0,59
With Switch (DPST)							
806-STX-3081-5N	STX-3081-5N	C	5P, Non-Threaded	3	0,61	0,574	0,428
806-STX-3081-5C	STX-3081-5C	C	5P, Threaded	3	0,95	0,853	0,672

3.5MM STEREO AUDIO JACKS – STACKED THRU-HOLE

- Housing: Nylon 66 Thermoplastic 15% Glass Filled, UL94V-0 Rated
- Durability: 5000 Mating Cycles
- Operating Temperature: -25°C to +80°C
- Switch Terminals: Copper Alloy, Silver plated
- Contact Rating: 16VDC @ 0.3 Amps
- RoHS Compliance per Kycon Documentation
- Terminals: Copper Alloy, Tin over Nickel plating
- Switch Housing: PBT Thermoplastic
- Switch Slide Knob: POM
- Non-Threaded



*PC99 Color Barrels

For quantities greater than listed, call for quote.

MOUSER STOCK NO.	Kycon Part No.	Fig.	Description	Circuit Diagram	Price Each		
					1	25	100
806-STX-4235-3/3-N	STX-4235-3/3-N	D	3/3 Pin, Black/Black	5	2,09	1,90	1,39
806-STX-4235-3/9-N	STX-4235-3/9-N	D	3/9 Pin, Black/Black	-	2,73	2,44	1,78
*806-STX-43355BGPS1	STX-4335-5BGP-S1	E	5/5/5 Pin, Blue/Green/Pink	4	2,44	2,39	1,63

3.5MM STEREO AUDIO JACKS – PCB MOUNT, VERTICAL

- Housing: Thermoplastic, UL94V-0 Rated
- Terminals: Copper Alloy, Tin plating
- Complies with EIA standards
- Used in devices such as car audio and navigation equipment, etc.
- Meets the accelerated market needs for higher performance and smaller size portable devices
- RoHS Compliance per Kycon Documentation



For quantities greater than listed, call for quote.

MOUSER STOCK NO.	Kycon Part No.	Fig.	Description	Circuit Diagram	Price Each		
					1	25	100
806-STX-3680-5CB	STX-3680-5CB	F	5P, Threaded w/ Back Plate	6	1,16	1,06	0,976
806-STX-3680-5NB	STX-3680-5NB	G	5P, Non-Threaded w/ Back Plate	6	1,35	1,24	1,14
806-STX-3680-5NB577C	STX-3680-5NB-577C	G	5P, Non-Threaded w/ Back Plate, Green	6	1,21	1,11	1,03
806-STX-3680-5NB701C	STX-3680-5NB-701C	G	5P, Non-Threaded w/ Back Plate, Pink	6	1,21	1,11	1,03
806-STX-3680-6CB	STX-3680-6CB	F	6P, Threaded w/ Back Plate	7	1,25	1,14	1,05
806-STX-3790-5N	STX-3790-5N	H	5P, Non-Threaded	6	1,46	1,34	1,23
806-STX-3790-5N-157C	STX-3790-5N-157C	H	5P, Non-Threaded, Orange	6	1,38	1,26	1,16
806-STX-3790-5N-284C	STX-3790-5N-284C	H	5P, Non-Threaded, Blue	6	1,38	1,26	1,16
806-STX-3790-5N-577C	STX-3790-5N-577C	H	5P, Non-Threaded, Green	6	1,38	1,26	1,16
806-STX-3790-5N-701C	STX-3790-5N-701C	H	5P, Non-Threaded, Pink	6	1,38	1,26	1,16

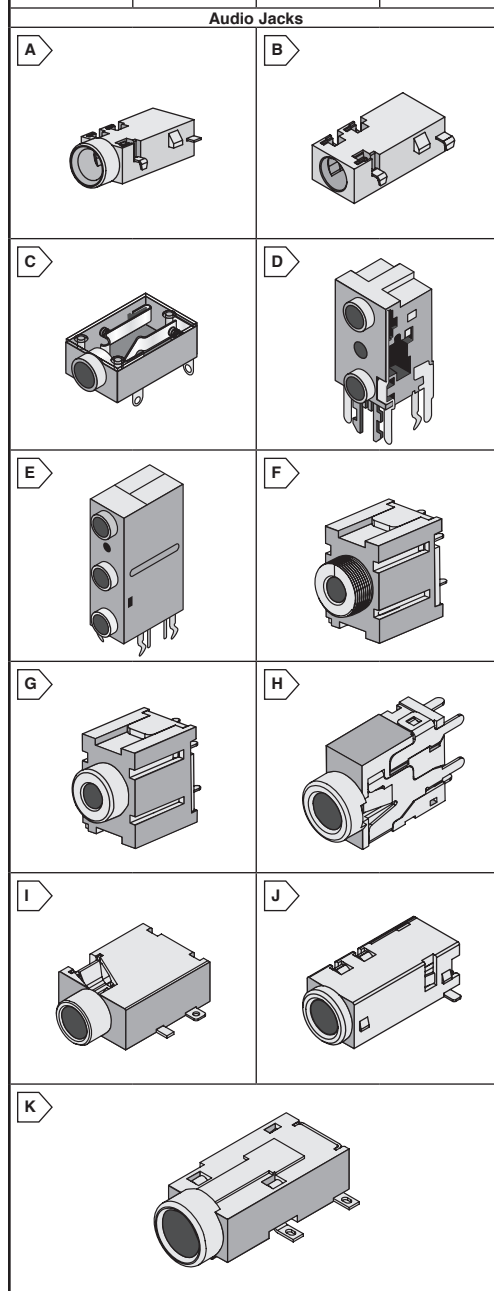
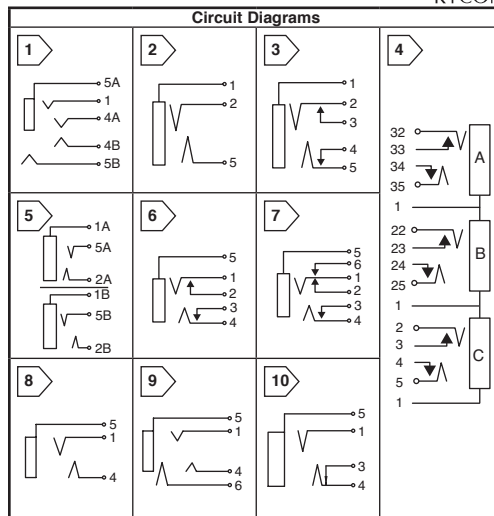
3.5MM STEREO AUDIO JACKS – SURFACE MOUNT

- Housing: High Temp, UL94V-0 Rated
- Complies with EIA standards
- Rated Voltage: 16V DC
- Rated Current: 0.3A
- Insulation Resistance: 100 Megohms min. at 500V DC
- Dielectric Strength: 500V AC RMS for 1 minute
- RoHS Compliance per Kycon Documentation



For quantities greater than listed, call for quote.

MOUSER STOCK NO.	Kycon Part No.	Fig.	Description	Circuit Diagram	Price Each		
					1	25	100
806-STX-35332-3N-TR	STX-35332-3N-TR	I	3P, Non-Threaded	8	1,15	1,06	0,976
806-STX-35331-4N-TR	STX-35331-4N-TR	J	4P, Non-Threaded	9	1,37	1,25	1,16
806-STX-35332-4N-TR	STX-35332-4N-TR	I	4P, Non-Threaded	10	0,98	0,894	0,828
806-STX-35382-4N-TR	STX-35382-4N-TR	K	4P, Non-Threaded	10	0,86	0,787	0,73
806-STX-35332-5N-TR	STX-35332-5N-TR	I	5P, Non-Threaded	6	0,98	0,894	0,828



Audio/Video Connectors
Kycon

SWITCHCRAFT Phone Jacks and Accessories **Switchcraft**



This product is RoHS compliant.

LITTEL-JAX® 1/4" COMMERCIAL PHONE JACKS

Phone jacks mount in single .375" hole in panels up to .150" thick, except stock numbers 502-L-11 and 502-L-12 which mounts in panels up to .25" thick.

For quantities greater than listed, call for quote.

MOUSER STOCK NO.	Switchcraft Part No.	Fig. *	Circuit Dia.	Typical Mating Type	Description	Price Each		
						1	10	25
2-Conductor Standard 1/4" I.D. Types								
502-11	11	A	1	250	Open tip	1.73	1.64	1.56
502-C11X	C11X	A	1	440X	Open tip with locating pin	2.91	2.76	2.62
502-L-11	L11	A	1	250	Open tip with .375" bushing	1.95	1.85	1.76
502-FAL11	FAL11	A	1	250	Open tip, .375" bushing, .205 Faston	2.70	2.39	2.19
502-12A	12A	A	2	250	Closed tip	1.61	1.58	1.56
502-C12AX	C12AX	A	2	440X	Closed tip with locating pin	5.03	4.78	4.54
502-L-12A	L12A	A	2	250	Closed tip with .375" bushing	2.28	2.03	1.86
502-13	13	A	-	250	Isolated "Make" Circuit	6.19	5.00	4.73
502-13A	13A	A	3	250	Transfer circuit	5.26	4.28	3.99
502-13E	13E	A	4	250	Isolated "break" circuit	5.66	5.38	5.11
3-Conductor Standard 1/4" I.D. Types								
502-12B	12B	A	5	267	Open tip, open ring	1.68	1.60	1.52
502-C12BX	C12BX	A	5	480X	Open tip, open ring with locator pin mil 0.25/0.21	5.22	4.46	4.29
502-L-12B	L12B	A	5	267	Open tip, open ring with .375" bushing	2.59	2.46	2.34
502-13B	13B	A	6	267	Closed tip, open ring	5.47	5.20	4.94
502-14B	14B	A	7	267	Closed tip, closed ring	4.86	4.55	4.54
2-Conductor .210" I.D. Type for Polarized Connections								
502-S-11	S11	A	1	S-250	Open tip	2.85	2.40	1.83
3-Conductor .210" I.D. Type for Polarized Connections								
502-S-12B	S12B	A	5	S-260	Open tip, open ring	3.56	3.39	3.22

*502-C11X is shown

1/4" EXTENSION JACKS (IN-LINE)

For quantities greater than listed, call for quote.

MOUSER STOCK NO.	Switchcraft Part No.	Fig.	Mating Plug	Description	Price Each		
					1	10	25
2-Conductor							
502-120	120	B	250	Shielded handle, screw terminal	7.80	7.56	7.34
502-121	121	C	250	Shielded handle, solder lugs, and cable clamp	8.05	7.81	7.57
502-88	88	D	250	Black handle, solder lugs	9.26	6.95	6.67
3-Conductor							
502-1230	1230	B	267	Shielded handle, screw terminals	7.67	7.52	7.37
502-131	131	C	267	Shielded handle, solder lug	9.77	9.28	8.81
502-S-830	S830	D	480X	Black handle, screw terminals, .21" I.D. Sleeve	9.97	9.67	9.38
502-838	838	D	267	Black handle, solder lugs	10.13	7.61	7.38

JACK COVERS - SPRING LOADED

For quantities greater than listed, call for quote.

MOUSER STOCK NO.	Switchcraft Part No.	Fig.	Mating Plug	Description	1	10	25
502-515X	515X	-	N/A	Black, jack cover	8.73	6.88	6.30

HI-D JAX, 1/4" ENCLOSED PHONE JACKS

Small, compact phone jacks mate with standard .25" (6.35mm) phone plugs. The molded body protects the integral silver plated contacts. They feature low contact resistance, low electrical leakage and low capacity between contacts. Mounts in single .375" hole in panels up to .156" thick.

For quantities greater than listed, call for quote.

MOUSER STOCK NO.	Switchcraft Part No.	Fig.	Circuit Dia.	Typ. Mating Type	Description	Price Each		
						1	10	25
2-Conductor-Solder Type								
502-111X	111X	E	1	250	Open tip	1.91	1.82	1.73
502-N111X	N111X	E	1	250	Open tip, nylon bushing	1.91	1.82	1.73
502-112AX	112AX	E	2	250	Closed tip	1.94	1.84	1.75
502-N112AX	N112AX	E	2	250	Closed tip, nylon bushing	2.17	2.06	1.96
502-113X	113X	E	8	250	Open tip, isolated "Make" Circuit	3.51	3.19	3.03
3-Conductor-Solder Type								
502-112BX	112BX	E	5	267	Open tip, open ring	1.84	1.75	1.66
502-N112BX	N112BX	E	5	267	Open tip, open ring, nylon bushing	2.23	2.12	2.01
502-N113BX	N113BX	E	6	267	Closed Tip, Open ring, Nylon Bushing	4.97	4.31	3.91
502-113BX	113BX	E	6	267	Closed tip, open ring	2.91	2.76	2.62
502-114BX	114BX	E	7	267	Closed tip, closed ring	3.03	2.87	2.73
502-L-114BX	L114BX	E	7	267	Closed tip, closed ring, .375" bushing	4.07	3.32	2.70
502-N114BX	N114BX	E	7	267	Closed tip, closed ring, nylon bushing	4.45	4.23	4.02
2-Conductor-PC Terminals								
502-111PCX	111PCX	E	1	250	Open tip	2.33	2.14	2.10
502-N111PCX	N111PCX	E	1	250	Open tip, nylon bushing	2.07	1.88	1.80
502-112APCX	112APCX	E	2	250	Closed tip	4.29	4.10	3.89
502-RN111PC	RN111PC	F	1	250	Open tip, right angle	1.97	1.48	1.35
502-RN-112APC	RN112APC	F	2	250	Closed tip, right angle	1.73	1.64	1.56
3-Conductor-PC Terminals								
502-112BPCX	112BPCX	E	5	267	Open tip, open ring	2.12	1.93	1.84
502-N112BPCX	N112BPCX	E	5	267	Open tip, open ring, nylon bushing	2.52	2.29	2.18
502-113BPCX	113BPCX	E	6	267	Closed tip, open ring	3.77	3.15	2.85
* 502-N114BPCX	N114BPCX	E	7	267	Closed tip, closed ring	3.75	3.40	3.23
* 502-RN112BPC	RN112BPC	F	5	267	Open tip, open ring	2.45	1.83	1.68
* 502-RN-113BPC	RN113BPC	F	6	267	Closed tip, open ring	2.33	2.14	2.05
* 502-RN114BPC	RN114BPC	F	7	267	Closed tip, closed ring	3.33	3.09	2.66

* Right Angle

1/4" THICK PANEL PHONE JACKS

Extra shielded length eliminates microphone hum. • 1.25" panel size • .469" mounting hole

For quantities greater than listed, call for quote.

MOUSER STOCK NO.	Switchcraft Part No.	Fig.	Circuit Diagram	Mating Plug	Description	Price Each		
						1	10	25
502-151	151	G	1	280	2 Conductor, open circuit, nickel finish	6.01	5.60	5.49
502-152B	152B	G	5	297	3 Conductor, double open circuit, nickel finish	7.55	7.18	6.82

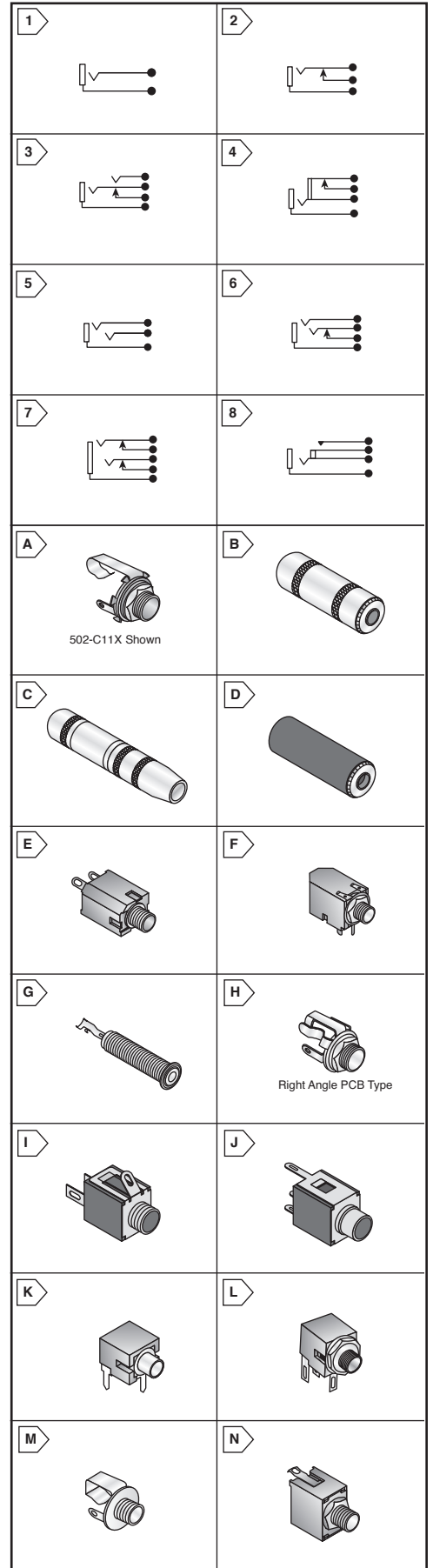
MICRO-JAX® .101" SUBMINIATURE PHONE JACKS

MOUSER STOCK NO.	Switchcraft Part No.	Fig.	Cir. Dia.	Mating Plug	Contact	Price Each		
						1	10	25
502-TR-2A	TR2A	H	2	850X	Open	2.85	2.58	2.54
502-MDSL2A	MDSL2A	I	2	850X	Enclosed	2.35	2.18	2.09
502-MDPC2A	MDPC2A	J	2	850X	Enclosed	2.33	1.84	1.64
502-MDPC-2A-RA	MDPC2ARA	K	2	850X	Enclosed	2.02	1.92	1.82
502-MDSL-2A-RA	MDSL-2A-RA	L	2	850X	Enclosed	2.41	2.00	1.83

TINI-JAX® .141" MINIATURE PHONE JACKS

For Insulated Mount, order two washers separately, number S1564 and S2207

MOUSER STOCK NO.	Switchcraft Part No.	Fig.	Mating Plug	Description	1	10	25	
502-41	41	M	1	750	Open	1.47	1.40	1.33
502-42A	42A	M	2	750	Open	1.91	1.59	1.47
502-142AX	142AX	N	2	750	Enclosed	2.31	2.20	2.09



Switchcraft AudioVideo Connectors



This page of product is compliant.

MICRO-PLUG® .097" SUBMINIATURE PHONE PLUGS

2-conductor phone plugs for use with Micro-Jax® phone jacks, accommodates cables up to .125" (3.18mm)

For quantities greater than listed, call for quote.

MOUSER STOCK NO.	Switchcraft Part No.	Fig.	Mating Jack	Description	Price Each			
					1	10	25	100
502-850X	850X	A	TR2A	Black handle, solder lug	2,93	2,79	2,65	2,51
502-855X	855X	A	TR2A	Red handle, solder lug	3,15	2,66	2,30	2,18
502-880X	880X	A	TR2A	Natural handle, solder lug	4,08	2,92	2,68	2,43
502-851X	851X	B	TR2A	Black handle, solder lug (Locking feature)	5,21	4,30	3,63	2,76

TINI-PLUG® .141" MINIATURE PHONE PLUGS

2-conductor phone plugs for use with Tini-Jax® phone jacks 1/3 the size of standard phone plugs. Maximum cable O.D. is .218" (5.54 mm).

For quantities greater than listed, call for quote.

MOUSER STOCK NO.	Switchcraft Part No.	Fig.	Mating Jack	Description	Price Each			
					1	10	25	100
502-740	740	C	41	Black handle, screw terminals	3,19	2,75	2,52	2,29
502-745	745	C	41	Red handle, screw terminals	5,38	4,03	3,66	3,23
502-750	750	C	41	Black handle, solder lug, and cable clamp	2,71	2,57	2,45	2,32
502-755	755	C	41	Red handle, solder lug, and cable clamp	3,21	3,11	3,02	2,93
502-780	780	A	41	Shielded handle, solder lug, and cable clamp	3,85	3,77	3,69	3,41

LITTEL PLUG® 1/4" COMMERCIAL PHONE PLUGS

Solder terminals include built-in cable clamps. Shielded metal handles are nickel plated brass. Maximum cable diameter is .297" (7.54mm)

For quantities greater than listed, call for quote.

MOUSER STOCK NO.	Switchcraft Part No.	Fig.	Mating Jack	Description	Price Each			
					1	10	25	100
2 Conductor								
502-240	240	D	11	Black handle, screw terminal	3,53	3,35	3,18	3,02
502-250	250	D	11	Black handle, solder lug, and cable clamp	2,77	2,63	2,50	2,21
502-255X	255X	D	11	Red handle, solder lug, and cable clamp	4,75	4,37	3,75	3,47
502-270	270	E	11	Shielded handle, screw terminal	5,12	4,51	4,19	3,66
502-280	280	E	11	Shielded handle, solder lug, and cable clamp	2,25	2,08	1,99	1,83
502-440X	440X	D	C-11X	Shield. handle, screw term., MIL-TYPE PJ-055B	9,86	8,96	8,78	8,31
3 Conductor								
502-260	260	D	12B	Black handle, screw terminal	6,11	5,93	5,75	5,58
502-267	267	D	12B	Black handle, solder lug, and cable clamp	4,13	3,92	3,72	3,33
502-269X	269X	D	12B	Red handle, solder lug, and cable clamp	6,59	5,78	5,11	4,55
502-297	297	E	12B	Shielded handle, solder lug, and cable clamp	5,45	4,52	4,15	3,77
502-480X	480X	D	S830	Shield. handle, screw term., MIL-TYPE PJ-068	17,42	15,63	14,64	13,23

.206" COMMERCIAL PHONE PLUGS FOR POLARIZED CONNECTIONS

Designed for applications requiring polarization to prevent insertion of incorrect equipment.

For quantities greater than listed, call for quote.

MOUSER STOCK NO.	Switchcraft Part No.	Fig.	Mating Jack	Description	Price Each			
					1	10	25	100
2 Conductor								
502-S-250	S250	D	S11	Black handled, solder lug, and cable clamp	4,16	3,68	3,36	3,14
502-S-280	S280	E	S11	Shielded handle, solder lug, and cable clamp	5,26	4,64	4,31	3,74
3 Conductor								
502-S-260	S260	D	S12B	Black handle and screw terminal	8,13	7,46	6,35	5,38
502-S267	S267	D	S12B	Black handle, solder lug, and cable clamp	7,84	7,13	6,77	6,10

1/4" COMMERCIAL PHONE PLUGS

- Rugged reliability for stable, long term, trouble-free operation
- All essential conducting members are brass with external parts nickel plated

For quantities greater than listed, call for quote.

MOUSER STOCK NO.	Switchcraft Part No.	Fig.	Conductors	Handle	Description	Price Each			
						1	10	25	100
502-60	60	D	3	Black	Solder Lug	5,84	5,15	4,79	4,36
502-70	70	E	2	Nickel	Screw Terminal	8,46	8,03	7,63	6,82
502-170	170	F	2	Nickel	Screw Terminal	9,94	9,44	8,97	8,52
502-188	188	E	2	Nickel	Solder Lug	5,79	5,50	5,22	4,66
502-220	220	G	2	Black	Screw Terminal, Right Angle	5,24	5,08	4,93	4,47
502-226	226	H	2	Nickel	Screw Terminal, Right Angle	4,14	3,50	3,42	3,21
502-227	227	G	2	Black	Solder Lug, Right Angle	3,20	3,04	2,89	2,58
502-228	228	I	2	Nickel	Solder Lug, Right Angle	4,13	3,92	3,72	3,54
502-236	236	H	3	Nickel	Screw Terminal, Right Angle	5,03	4,67	4,34	4,04
502-238X	238X	I	3	Nickel	Solder Lug, Right Angle	8,12	7,71	7,32	6,96

3.5MM STEREO PHONE PLUGS

- .250" Max Cable O.D.
- Metal Knurled Handle: Copper Alloy or Nickel
- Working Voltage: 250VAC, 140VDC
- Current @Working Voltage: 4A
- Solder lug

For quantities greater than listed, call for quote.

MOUSER STOCK NO.	Switchcraft Part No.	Fig.	Contact Plating	Handle	Description	Price Each			
						1	10	25	100
502-35HDBAU	35HDBAU	J	Gold	Black	Straight	6,34	5,14	4,99	4,56
502-35HDRABAU	35HDRABAU	K	Gold	Black	Right Angle	13,51	12,75	12,28	11,26
502-35HDBN	35HDBN	J	Tin	Black	Straight	4,52	4,39	4,26	4,13
502-35HDNN	35HDNN	J	Tin	Nickel	Straight	4,09	3,97	3,85	3,74
502-35HDLBAU	35HDLBAU	L	Gold	Black	Straight, Locking Feature	10,10	9,52	9,18	8,42
* 502-35HDLBAUS	35HDLBAUS	L	Gold	Black	Straight, Locking Feature	11,32	10,68	9,92	8,70
502-35HDLBN	35HDLBN	L	Tin	Black	Straight, Locking Feature	9,14	8,63	8,31	7,61
502-35HDLNN	35HDLNN	L	Tin	Nickel	Straight, Locking Feature	8,70	8,21	7,90	7,24

*.175 Max. Cable O.D.

3.5MM INLINE JACKS

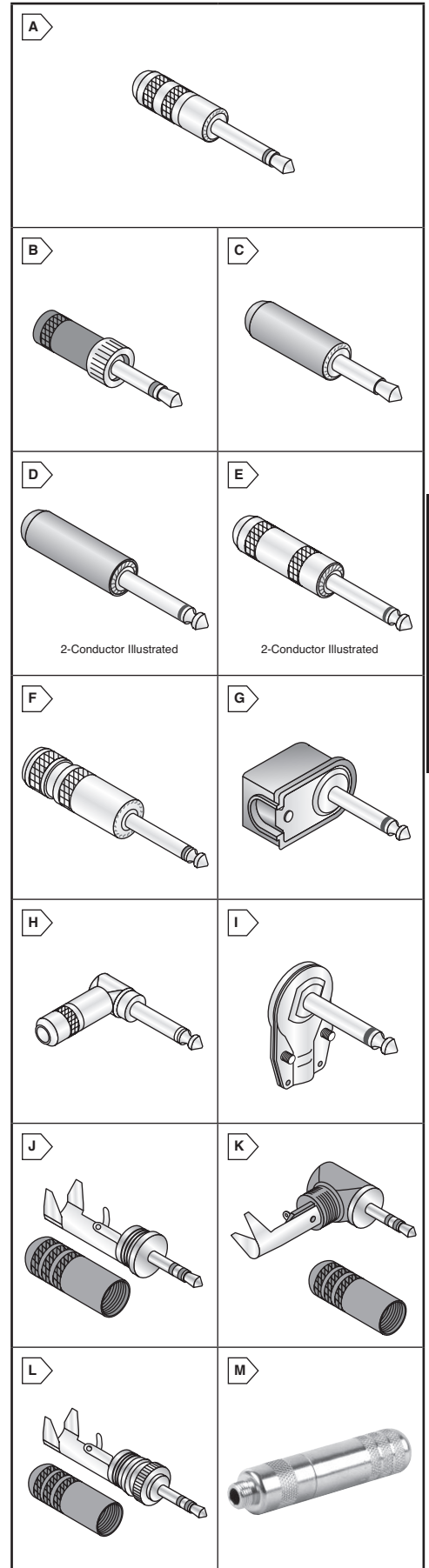


For quantities greater than listed, call for quote.

MOUSER STOCK NO.	Switchcraft Part No.	Fig.	Contact Plating	Cable Opening	Price Each			
					1	10	25	100
502-35LJNS	35LJNS	M	Silver	.175"	8,22	7,47	6,85	6,32
502-35LJNAUS	35LJNAUS	M	Gold	.175"	9,21	8,37	7,67	7,09
502-35LJN	35LJN	M	Silver	.29"	8,22	7,47	6,85	6,32
502-35LJNAU	35LJNAU	M	Gold	.29"	9,21	8,37	7,67	7,09

© Copyright 2012 Mouser Electronics

All Prices
In EURO



Audio/Video Connectors
Switchcraft

© Copyright 2012 Mouser Electronics

SWITCHCRAFT Audio and Circular DIN Connectors **Switchcraft®**

RoHS Compliant This product is RoHS compliant.

BULKHEAD PHONO JACKS

- Durable plated machined brass construction
 - All mounting hardware is included
 - Contact: nickel-plated brass
 - ROHS compliant per Switchcraft Documentation
- RoHS Compliant
For quantities greater than listed, call for quote.

MOUSER STOCK NO.	Switchcraft Part No.	Fig.	Description	Price Each		
				1	10	25
502-BPJF01AUX	BPJF01AUX	A	Front mount, black insulator, gold plated	2,00	1,82	1,74
502-BPJF02AUX	BPJF02AUX	A	Front mount, red insulator, gold plated	1,96	1,83	1,74
502-BPJF03AUX	BPJF03AUX	A	Front mount, white insulator, gold plated	2,37	2,00	1,72
502-BPJF04AUX	BPJF04AUX	A	Front mount yellow insulator gold plated	2,38	2,00	1,72
502-BPJF02X	BPJF02X	A	Front mount red insulator	1,49	1,35	1,06
502-BPJF03X	BPJF03X	A	Front mount, white insulator	1,49	1,35	1,06
502-BPJF04X	BPJF04X	A	Front mount, yellow insulator	1,41	1,28	1,22
502-BPJJ01X	BPJJ01X	B	Feed through black insulator	3,29	3,13	2,97
502-BPJJ02X	BPJJ02X	B	Feed through red insulator	4,03	3,49	3,09
502-BPJJ03X	BPJJ03X	B	Feed through white insulator	4,16	3,58	2,67
502-BPJJ04X	BPJJ04X	B	Feed through yellow insulator	4,41	4,08	3,48
502-3501FPX	3501FPX	C	Front mount, natural insulator	1,32	1,25	1,18
502-3501FRX	3501FRX	D	Rear Mount, natural insulator	1,61	1,53	1,45
502-3503X	3503X	E	Extension Jack, Shielded handle	4,02	3,82	3,63
502-3505FX	3505FX	F	Front mount, RF-JAX	2,62	1,98	1,82

MOUNTING HARDWARE - INSULATING WASHERS

- For the 3501FRX use S1028 and S1029
 - For the 3501FPX use S2207 and S1564
- RoHS Compliant
For quantities greater than listed, call for quote.

MOUSER STOCK NO.	Switchcraft Part No.	Fig.	Description	1	10	25
502-S2207	S2207	--	Rigid plastic washer	0,41	0,371	0,305
502-S1564	S1564	--	Swedged gray fiber washer	0,41	0,305	0,279
502-S-1028	S1028	--	Rigid plastic washer (Brown)	0,15	0,13	0,125
502-S-1029	S1029	--	Swedged fiber washer	0,31	0,30	0,288

PHONO PLUGS

- Nickel Plated pins
 - Current carry @ Working voltage: 6A
 - Working voltage: 250VAC, 140VDC
 - ROHS compliant per Switchcraft Documentation
- RoHS Compliant
For quantities greater than listed, call for quote.

MOUSER STOCK NO.	Switchcraft Part No.	Fig.	Description	Price Each		
				1	10	25
502-3501MX	3501MX	G	Nickel handle	0,54	0,404	0,37
502-3501MCX	3501MCX	H	Nickel handle with cable clamp	1,25	0,932	0,858
502-3502	3502	I	Nickel handle (0.688" handle)	1,66	1,57	1,49
502-3502A	3502A	I	Nickel handle, long (1.08" handle)	1,69	1,61	1,53
502-3502RA	3502RA	J	Nickel handle, right angle	5,14	4,65	3,98
502-35581X	35581X	K	Red plastic handle	1,68	1,26	1,25
502-35582X	35582X	K	Black plastic handle	1,69	1,27	1,21

CIRCULAR DIN CONNECTORS

Designed for low level circuitry in computer, commercial, industrial, consumer, and military applications. They are exact replacements for many foreign built products. They are used extensively for computer keyboard, I/O, and peripheral applications.

RoHS Compliant
For quantities greater than listed, call for quote.

MOUSER STOCK NO.	Switchcraft Part No.	Fig.	No. of Contacts	Description	Price Each		
					1	10	25
DIN Cord End Plugs							
502-05CL3MX	05CL3MX	L	3	180° w/lock ring	7,60	7,22	6,86
502-05CL5MX	05CL5MX	L	5	180° w/lock ring	8,62	8,19	7,78
502-12CL5MX	12CL5MX	L	5	240° w/lock ring	8,72	8,29	7,87
502-05GM3MX	05GM3MX	M	3	180° w/shielded barrel	5,14	4,89	4,64
502-05GM5MX	05GM5MX	M	5	180° w/shielded barrel	5,17	5,01	4,86
502-12GM5MX	12GM5MX	M	5	240° w/shielded barrel	4,68	4,44	4,22
502-05BL3MX	05BL3MX	N	3	180° w/extended barrel	4,32	4,11	3,90
502-05BL5MX	05BL5MX	N	5	180° w/extended barrel	4,97	4,72	4,48
502-12BL5MX	12BL5MX	N	5	240° w/extended barrel	4,78	4,54	4,31
Panel Mount DIN Receptacles							
502-57HB5FX	57HB5FX	O	5	180° for lock ring plug	4,43	4,21	4,00
502-61HA5FX	61HA5FX	O	5	240° for lock ring plug	3,86	3,66	3,48
502-57GB3FX	57GB3FX	P	3	180° for shielded/extended barrel plug	2,74	2,61	2,48
502-57GB5FX	57GB5FX	P	5	180° for shielded/extended barrel plug	2,77	2,63	2,50
502-61GB5FX	61GB5FX	P	5	240° for shielded/extended barrel plug	3,98	3,53	3,23

MICROPHONE CONNECTOR

Designed with 5/8-27 threads for use with single conductor microphones with cable O.D. No greater than .281". The coupling ring is removable for fast change from female to male type.

RoHS Compliant

MOUSER STOCK NO.	Switchcraft Part No.	Fig.	Description	Price Each		
				1	10	25
502-2501F	2501F	Q	Female microphone connector	3,65	3,54	3,44
502-2501MP	2501MP	--	Panel Mount	4,62	4,20	3,99

AAA SERIES XLR CONNECTORS

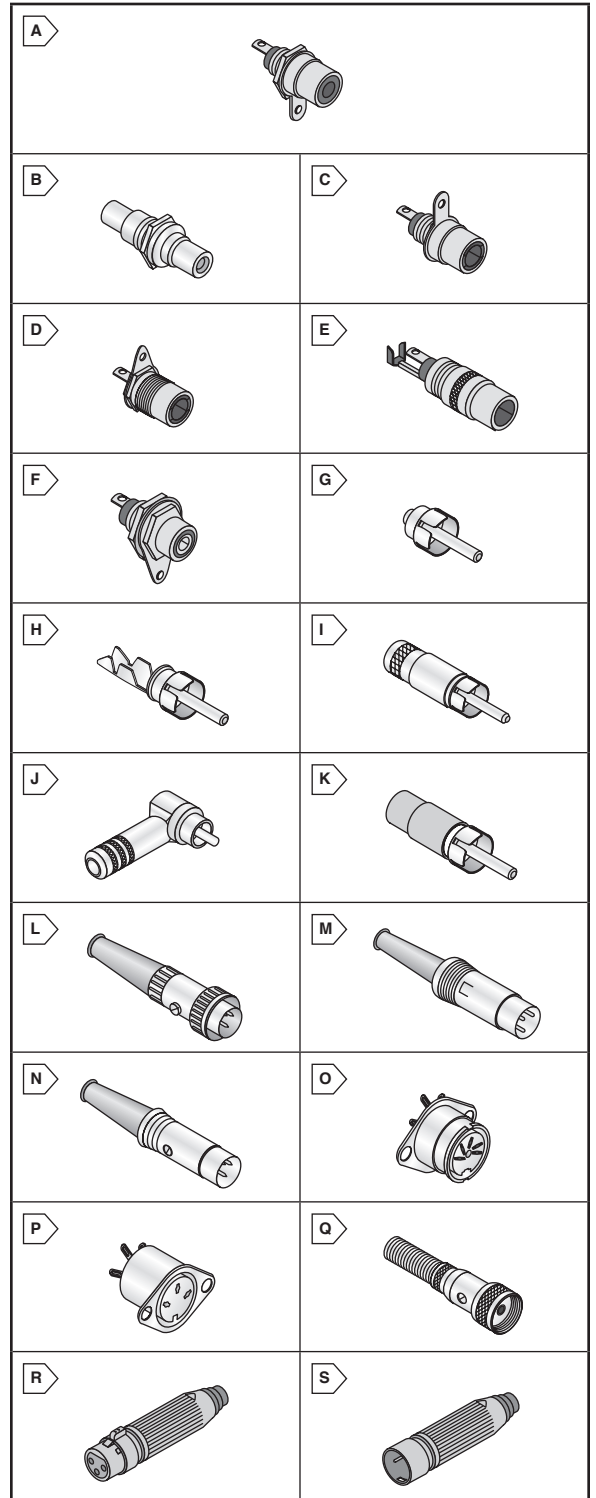
Features easy twist on combination handle/strain relief, and reduced number of parts to assemble.

Specifications:

- Current rating per contact: 3 pole=15 A
- Max Wire Size: 3 contact = 14 AWG

RoHS Compliant per Switchcraft documentation.

MOUSER STOCK NO.	Switchcraft Part No.	Fig.	No. of Contacts	Contact Type/Plating	Gender	Shell Finish	Handle Type	Handle Color	Price Each		
									1	10	25
502-AAA3FZ	AAA3FZ	R	3	Silver	Female	Nickel	Metal	Nickel	2,58	2,32	2,28
502-AAA3FBZ	AAA3FBZ	R	3	Silver	Female	Black	Metal	Black	2,96	2,69	2,31
502-AAA3FBAUZ	AAA3FBAUZ	R	3	Gold	Female	Black	Metal	Black	3,59	3,41	3,23
502-AAA3FPZ	AAA3FPZ	R	3	Silver	Female	Nickel	Plastic	Black	2,37	2,14	2,09
502-AAA3MZ	AAA3MZ	S	3	Silver	Male	Nickel	Metal	Nickel	2,37	2,14	2,13
502-AAA3MBZ	AAA3MBZ	S	3	Silver	Male	Black	Metal	Black	2,78	2,52	2,27
502-AAA3MBAUZ	AAA3MBAUZ	S	3	Gold	Male	Black	Metal	Black	3,37	3,00	2,78
502-AAA3MPZ	AAA3MPZ	S	3	Silver	Male	Nickel	Plastic	Black	2,15	1,93	1,89
502-AAA3MPBZ	AAA3MPBZ	S	3	Silver	Male	Black	Plastic	Black	2,62	2,15	2,11



SWITCHCRAFT Audio (XLR) DIN Connectors **Switchcraft**[®]



This product is RoHS compliant.

"Q-G" QUICK GROUND XLR AUDIO CONNECTORS

Specifications:

- Current Rating: 3C = 15A, 4C = 10A, 5C = 7.5A
- Cable Size: .21" to .30" O.D.
- RoHS compliance per Switchcraft documentation
- Pin and Socket Contact: Silver-plated copper alloy

- Wire Size: 3 contact-12 AWG solid, 14 AWG stranded; 4 contact-14 AWG solid, 16 AWG stranded; 5 contact-18 AWG solid, 20 AWG stranded
- Housing Material: Die-Cast zinc with satin nickel or black velvet finish

Cord End Plugs

For quantities greater than listed, call for quote.

MOUSER STOCK NO.	Switchcraft Part No.	Fig.	No. of Contacts	Description	Price Each		
					1	10	25
502-A3F	A3F	A	3	Female plug	4,88	4,10	3,76
502-A3FBX	A3FBX	A	3	Female plug (black)	5,24	4,98	4,73
502-A3M	A3M	B	3	Male plug	4,65	3,78	3,51
502-A3MB	A3MB	B	3	Male plug (black)	4,97	4,72	4,48
502-A4F	A4F	A	4	Female plug	6,10	5,80	5,51
502-A4M	A4M	B	4	Male plug	4,97	4,72	4,48
502-A5F	A5F	A	5	Female plug	12,50	11,88	11,28
502-A5M	A5M	B	5	Male plug	9,91	9,41	8,94
502-A6F	A6F	A	6	Female plug	13,90	13,49	13,08
502-A6M	A6M	B	6	Male plug	11,08	10,75	10,43
502-R3FZ	R3FZ	C	3	F rt. angle plug w/strain relief	7,31	6,59	6,47
502-R3MZ	R3MZ	D	3	M rt. angle plug w/strain relief	6,34	5,72	5,59

Panel Mount Receptacles

For quantities greater than listed, call for quote.

MOUSER STOCK NO.	Switchcraft Part No.	Fig.	No. of Contacts	Description	Price Each		
					1	10	25
502-B3F	B3F	E	3	Female receptacle	19,89	18,89	17,95
502-B3FBX	B3FBX	E	3	Female receptacle (black)	18,46	16,78	15,94
502-B3M	B3M	F	3	Male receptacle	9,71	9,22	8,76
502-B3MB	B3MB	F	3	Male receptacle (black)	9,71	9,22	8,76
502-B4M	B4M	F	4	Male receptacle	10,32	8,01	7,43
502-C3F	C3F	G	3	Female receptacle	6,13	6,00	5,88
502-C3M	C3M	H	3	Male receptacle	6,59	6,26	5,95
502-C4F	C4F	G	4	Female receptacle	13,91	13,21	12,55
502-C4M	C4M	H	4	Male receptacle	7,05	6,70	6,36
502-C5F	C5F	G	5	Female receptacle	18,00	17,46	16,94
502-C5M	C5M	H	5	Male receptacle	15,20	14,44	13,71
502-D3F	D3F	I	3	Female receptacle	4,89	4,64	4,41
502-D3FBXAU	D3FBXAU	I	3	F recept., black w/gold contacts	10,03	9,11	8,75
502-D3M	D3M	J	3	Male receptacle, nickel	4,23	4,02	3,82
502-D3MB	D3MB	J	3	Male receptacle, black	6,28	4,97	3,56
502-D3MBAU	D3MBAU	J	3	M recept., black w/gold contacts	7,38	6,49	5,87
502-D4F	D4F	I	4	Female receptacle, nickel	8,67	8,23	7,82
502-D4M	D4M	J	4	Male receptacle, nickel	5,60	5,32	5,05
502-D5F	D5F	I	5	Female receptacle, nickel	14,64	14,20	13,78

TINI "Q-G" QUICK GROUND XLR AUDIO CONNECTORS

Specifications:

- Current Rating: Plug or Panel 3-4C = 5A, 5C = 4A; PCB Receptacle 3-5C = 5A
- Maximum Cable: .115" O.D. for flex relief versions; .170" O.D. for "L" version (omitted flex relief)
- Wire Size: 22 AWG solid; 24 AWG stranded
- Contacts: Pin and Socket-Silver-plated copper alloy; PCB Receptacle-Tin-plated brass
- Housing Material: Plugs and Male Receptacle-Nickel-plated copper alloy, Female Receptacle-Nickel-plated die cast zinc; PCB Receptacle-Thermoplastic

Cord End Plugs

For quantities greater than listed, call for quote.

MOUSER STOCK NO.	Switchcraft Part No.	Fig.	No. of Contacts	Description	Price Each		
					1	10	25
502-TA3FX	TA3FX	K	3	Female plug	6,82	6,36	6,25
502-TA3MX	TA3MX	L	3	Male plug	5,90	5,48	5,38
502-TA3FLX	TA3FLX	M	3	Female plug for larger cable	6,50	6,18	5,87
502-TA3MLX	TA3MLX	N	3	Male plug for larger cable	5,95	5,65	5,37
502-TA4FX	TA4FX	K	4	Female plug	7,37	6,94	6,84
502-TA4MX	TA4MX	L	4	Male plug	6,43	5,94	5,83
502-TA4FLX	TA4FLX	M	4	Female for larger cable	9,44	8,97	8,52
502-TA4MLX	TA4MLX	N	4	Male for larger cable	9,53	9,06	8,60
502-TA5FX	TA5FX	K	5	Female plug	8,34	7,73	7,59
502-TA5MX	TA5MX	L	5	Male plug	7,55	7,00	6,53
502-TA5FLX	TA5FLX	M	5	Female plug for larger cable	9,78	9,29	8,82
502-TA5MLX	TA5MLX	N	5	Male plug for larger cable	7,01	6,31	5,26
502-TA6FLX	TA6FLX	M	6	Female plug for larger cable	9,13	8,93	8,70

Panel Mount Receptacles

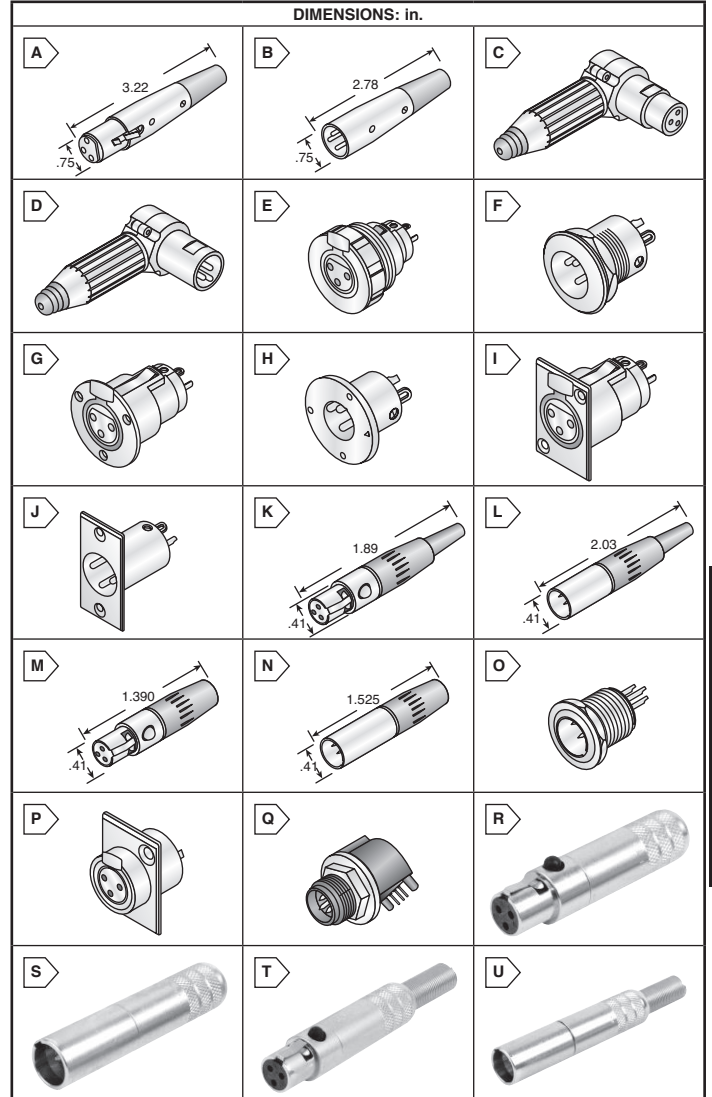
For quantities greater than listed, call for quote.

MOUSER STOCK NO.	Switchcraft Part No.	Fig.	No. of Contacts	Description	Price Each		
					1	10	25
502-TB3M	TB3M	O	3	Male receptacle	7,19	6,45	5,69
502-TY3F	TY3F	P	3	Female receptacle	10,27	9,51	8,88
502-TB4M	TB4M	O	4	Male receptacle	7,50	6,38	5,25
502-TY4F	TY4F	P	4	Female receptacle	10,51	9,48	9,30
502-TB5M	TB5M	O	5	Male receptacle	7,73	7,15	6,66
502-TY5F	TY5F	P	5	Female receptacle	8,68	6,57	6,12

PC Board Mount Receptacles

For quantities greater than listed, call for quote.

MOUSER STOCK NO.	Switchcraft Part No.	Fig.	No. of Contacts	Description	Price Each		
					1	10	25
502-TRAPC3MX	TRAPC3MX	Q	3	Male thru hole	7,52	6,83	6,49
502-TRAPC4MX	TRAPC4MX	Q	4	Male thru hole	9,69	7,39	6,95
502-TRASM5MX	TRASM5MX	Q	5	Male surface mount	11,67	8,75	8,29
502-TRAPC5MX	TRAPC5MX	Q	5	Male thru hole	8,27	7,52	6,34



Audio/Video Connectors Switchcraft

TINI "Q-G" SHIELDED MINI XLR AUDIO CONNECTORS

Specifications:

- Current Rating: 3-5C = 5A; 6-8C = 1.5A
- Pin and Socket Contacts: Copper Alloy, silver plated
- Housing: Copper Alloy, nickel-plated
- Wire Size: 3-5C #22 AWG solid, #24 AWG stranded; 6-8C #28 AWG stranded



For quantities greater than listed, call for quote.

MOUSER STOCK NO.	Switchcraft Part No.	Fig.	No. of Contacts	Description	Price Each		
					1	10	25
502-TA3FSH	TA3FSH	R	3	Female plug	10,50	9,63	8,72
502-TA3MSH	TA3MSH	S	3	Male plug	8,98	8,23	7,46
502-TA4FSH	TA4FSH	R	4	Female plug	12,07	11,07	10,02
502-TA4MSH	TA4MSH	S	4	Male plug	10,12	9,28	8,40
502-TA5FSH	TA5FSH	R	5	Female plug	12,85	11,78	10,67
502-TA5MSH	TA5MSH	S	5	Male plug	10,76	9,86	8,93
502-TA6FSH	TA6FSH	R	6	Female plug	13,25	12,15	11,00
502-TA6MSH	TA6MSH	S	6	Male plug	11,14	10,21	9,25
502-TA7FSH	TA7FSH	R	7	Female plug	13,41	12,30	11,14
502-TA7MSH	TA7MSH	S	7	Male plug	11,94	10,95	9,91
502-TA8FSH	TA8FSH	R	8	Female plug	14,13	12,95	11,73
502-TA8MSH	TA8MSH	S	8	Male plug	12,61	11,57	10,47

With Flex Relief

For quantities greater than listed, call for quote.

MOUSER STOCK NO.	Switchcraft Part No.	Fig.	No. of Contacts	Description	Price Each		
					1	10	25
502-TA3FSHF	TA3FSHF	T	3	Female plug	10,76	9,86	8,93
502-TA3MSHF	TA3MSHF	U	3	Male plug	9,24	8,47	7,67
502-TA4FSHF	TA4FSHF	T	4	Female plug	11,73	10,75	9,74
502-TA4MSHF	TA4MSHF	U	4	Male plug	9,88	9,05	8,19
502-TA5FSHF	TA5FSHF	T	5	Female plug	12,49	11,45	10,37
502-TA5MSHF	TA5MSHF	U	5	Male plug	11,01	10,09	9,14
502-TA6FSHF	TA6FSHF	T	6	Female plug	13,54	12,41	11,24
502-TA6MSHF	TA6MSHF	U	6	Male plug	11,39	10,44	9,45
502-TA7FSHF	TA7FSHF	T	7	Female plug	14,38	13,18	11,93
502-TA7MSHF	TA7MSHF	U	7	Male plug	12,19	11,18	10,12
502-TA8FSHF	TA8FSHF	T	8	Female plug	14,39	13,18	11,95
502-TA8MSHF	TA8MSHF	U	8	Male plug	12,87	11,80	10,68

TE BNC Connectors



This product is RoHS compliant.



BNC PLUGS

- Bayonet lock coupling for quick connect/disconnect
- Fully interchangeable with comparable BNC UG/U connectors
- Single crimp connectors offer one crimping operation
- UL approved: File No. E81956
- CSA approved: File No. LR 7189

Dielectric: is either polyethylene (PE), polymethylpentene (PM), polypropylene (PP), or TEFLON (T).

* Silver Center Contact Plating

Specifications:

- Center contact plating: Gold

For quantities greater than listed, call for quote.

MOUSER STOCK NO.	TE Part No.	Fig.	Description	Body Plating	Dielectric	Cable Type RG/U	Price Each		
							1	10	25
50 Ohm									
571-5330876	5330876	A	Mil, Single Crimp	Silver	T	178, 178A, 178B, 196, 196A	11,20	10,97	10,86
571-2-5221128-1	2-5221128-1	B	Commercial, Hex Crimp	Nickel	PE	174, 188, 188A, 316	2,35	2,27	2,12
571-1-5227079-6	1-5227079-6	C	Commercial, Dual Crimp	Nickel	PE	174, 188, 188A, 316	1,83	1,74	1,65
571-52253957	5225395-7	D	Mil, Dual Crimp	Nickel	T	174, 188, 188A, 316	3,10	2,94	2,80
571-2-5221128-3	2-5221128-3	B	Commercial, Hex Crimp	Nickel	PE	179, 179A, 179B, 161, 187, 187A, Belden 9221	4,48	3,84	3,40
571-652270797	6-5227079-7	C	Commercial, Dual Crimp	Nickel	PE	Belden 8219	4,00	3,44	3,04
571-6-5227079-8	6-5227079-8	C	Commercial, Dual Crimp	Nickel	PE	Belden 9907, 89907 Comm/Scope 2104	20,95	18,01	15,92
571-5227079-5	5227079-5	C	Commercial, Dual Crimp	Nickel	PE	58, 58A, 58B, 58C	2,29	2,09	1,87
* 571-5227079-9	5227079-9	C	Commercial, Dual Crimp	Nickel	PE	58, 58A, 58B, 58C	3,32	3,05	2,73
571-5225395-1	5225395-1	D	Mil, Dual Crimp	Nickel	T	58, 58A, 58B, 58C	6,35	5,46	4,82
571-5227079-6	5227079-6	C	Commercial, Dual Crimp	Nickel	PE	223, 55, 55A, 55B	4,03	3,46	3,05
571-5225395-3	5225395-3	D	Mil, Dual Crimp	Nickel	T	223, 55, 55A, 55B	6,15	5,28	4,67
571-5225395-6	5225395-6	D	Mil, Dual Crimp	Nickel	T	142, 142A, 142B, 400	6,60	5,67	5,01
571-1-5221128-1	1-5221128-1	B	Commercial, Hex Crimp	Nickel	PE	124, 140, 210, 62, 62A, 62B, 59, 59A, 59B, Belden 9291, 9209, 9269	3,18	3,08	2,86
571-5227079-7	5227079-7	C	Commercial, Dual Crimp	Nickel	PE	124, 140, 210, 62, 62A, 62B, 59, 59A, 59B,	2,71	2,47	2,38
571-5225395-2	5225395-2	D	Mil, Dual Crimp	Nickel	T	124, 140, 210, 62, 62A, 62B, 59, 59A, 59B, Belden 9291, 9209, 9269	5,03	4,77	4,68
75 Ohm									
571-5413589-8	5413589-8	E	Hex Crimp	Nickel	PE	179, 179A, 179B, 187, 187A, 161, Belden 9221	3,77	3,58	3,40
571-5221185-8	5221185-8	E	Dual Crimp	Nickel	PE	179, 179A, 179B, 187, 187A, 161, Belden 9221	4,07	3,87	3,67
571-5221185-3	5221185-3	E	Dual Crimp	Nickel	PE	Belden 8218	2,68	2,55	2,42
571-5221185-2	5221185-2	E	Dual Crimp	Nickel	PE	140, 210, 62, 62A, 62B, 59, 59A, 59B, Belden 9291, 9209, 9269	2,44	2,32	2,20
571-5221185-9	5221185-9	E	Dual Crimp	Nickel	PE	Belden 8212, 9104, 9112, 9167, 9240, 9259, 9266, Times FM-59, (RG-59 Type with 20 AWG C.C.)	2,84	2,68	2,55
571-5221185-1	5221185-1	E	Dual Crimp	Nickel	PE	Belden 9248, 9114	3,46	2,97	2,63
571-5221185-7	5221185-7	E	Dual Crimp	Nickel	PE	6, 6A	4,75	3,95	3,79

BNC TWIST-ON PLUG

Twist-on connectors require no special tooling for application to the cable. Must be used with cable that has a solid conductor. These plugs are not recommended for applications where the cable frequently moves or flexes.

For quantities greater than listed, call for quote.

MOUSER STOCK NO.	TE Part No.	Fig.	Description	Body Plating	Dielectric	Cable Type	Price Each
571-5414265-3	5414265-3	F	Commercial	Nickel	PM	59, 59A, 59B	35,65 30,65 27,08

BNC RIGHT ANGLE PLUGS

• Center contact plating: Gold

For quantities greater than listed, call for quote.

MOUSER STOCK NO.	TE Part No.	Fig.	Description	Body Plating	Dielectric	Cable Type	Price Each
571-5413959-3	5413959-3	G	Commercial, Hex Crimp	Nickel	PM	174, 188, 188A, 316	13,38 12,97 12,08
571-5225973-4	5225973-4	H	Mil, Dual Crimp	Silver	T	142, 142A, 142B, 400	28,35 27,78 26,93

BNC JACKS

• Center contact plating: Gold

For quantities greater than listed, call for quote.

50 Ohm									
MOUSER STOCK NO.	TE Part No.	Fig.	Description	Body Plating	Dielectric	Cable Type	Price Each		
571-5413779-3	5413779-3	I	Commercial, Hex Crimp	Nickel	PM	174, 188, 188A, 316	4,11 4,05 3,91		
571-5225396-1	5225396-1	J	Mil, Dual Crimp	Nickel	T	58, 58A, 58B, 58C	7,78 7,62 7,39		
571-5225396-7	5225396-7	J	Mil, Dual Crimp	Nickel	T	174, 188, 188A, 316	7,63 7,25 6,89		
75 Ohm									
571-5413760-3	5413760-3	K	Hex Crimp	Nickel	---	Belden 8218	4,63 3,97 3,51		

BNC BULKHEAD JACKS

• Center contact plating: Gold

For quantities greater than listed, call for quote.

50 Ohm									
MOUSER STOCK NO.	TE Part No.	Fig.	Description	Body Plating	Dielectric	Cable Type	Price Each		
571-1-5225398-5	1-5225398-5	L	Mil, Dual Crimp	Nickel	T	Times RD316	10,25 8,81 7,79		
571-5225398-1	5225398-1	L	Mil, Dual Crimp	Nickel	T	58, 58A, 58B, 58C	9,77 8,65 7,85		
571-5225398-7	5225398-7	L	Mil, Dual Crimp	Nickel	T	174, 188, 188A, 316	5,41 4,90 4,82		
75 Ohm									
571-5413590-8	5413590-8	M	Hex Crimp	Nickel	---	179, 179A, 179B, 161, 187, 187A, Belden 9221	7,18 6,82 6,48		
571-5221221-5	5221221-5	M	Dual Crimp	Nickel	---	179, 179A, 179B, 161, 187, 187A, Belden 9221	6,25 5,94 5,64		
Front Mount with Solder Terminal									
571-5221244-1	5221244-1	N	--	Nickel	PE	----	4,65 4,55 4,42		
Rear Mount									
571-5414217-1	5414217-1	O	--	Nickel	PE	----	8,03 7,86 7,63		

RIGHT ANGLE METALLIZED JACK CONNECTORS

• 50 Ohm • PC board mount

For quantities greater than listed, call for quote.

MOUSER STOCK NO.	TE Part No.	Fig.	Body Plating	Center Contact Length: in. (mm)	Mounting Height: in. (mm)	Price Each			
						1	10	25	100
571-5413631-1	5413631-1	P	Nickel	.171 (4.34)	.432 (10.97)	6,10	5,80	5,51	5,23

BNC JACK CONNECTORS

• 75 Ohm • Mounting Post • PC board/panel mount

For quantities greater than listed, call for quote.

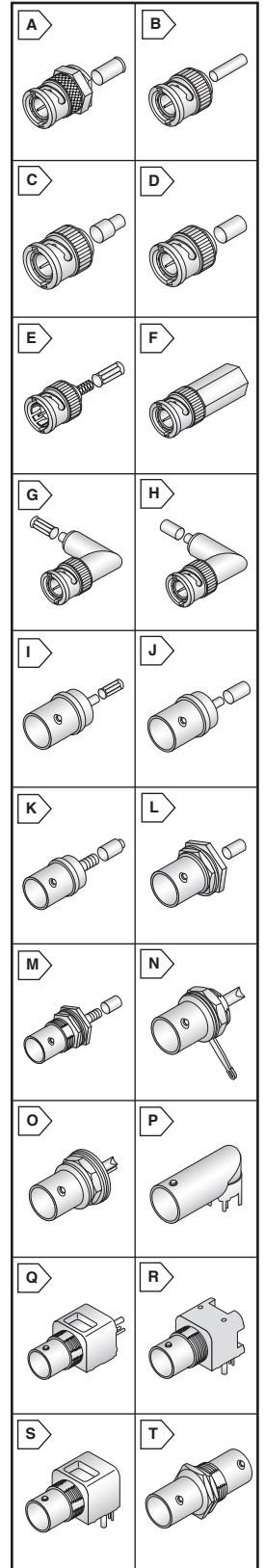
MOUSER STOCK NO.	TE Part No.	Fig.	Description	Contact Finish	Mounting Height: mm (in.)	Price Each			
						1	10	25	100
571-5222132-1	5222132-1	Q	Vertical, Metal	Gold 30µ"m	34.93 (1.375)	6,42	6,10	5,79	5,50
571-5413194-1	5413194-1	R	Right Angle, VALOX, White	Gold 30µ"m	13.88 (.519)	7,30	6,94	6,59	6,26
571-5413194-2	5413194-2	R	Right Angle, VALOX, Black	Gold 30µ"m	13.88 (.519)	7,30	6,94	6,59	6,26
571-5222092-1	5222092-1	S	Right Angle, Metal	Gold 30µ"m	15.88 (.625)	6,29	5,96	5,67	5,38

BNC METALLIZED JACK CONNECTORS

• 75 Ohm • PC board mount

For quantities greater than listed, call for quote.

MOUSER STOCK NO.	TE Part No.	Fig.	Description	Center Contact	Price Each			
					1	10	25	100
571-5222117-1	5222117-1	T	Bulkhead Jack-Jack Adapter, Nickel	Gold	8,62	8,19	7,78	7,39

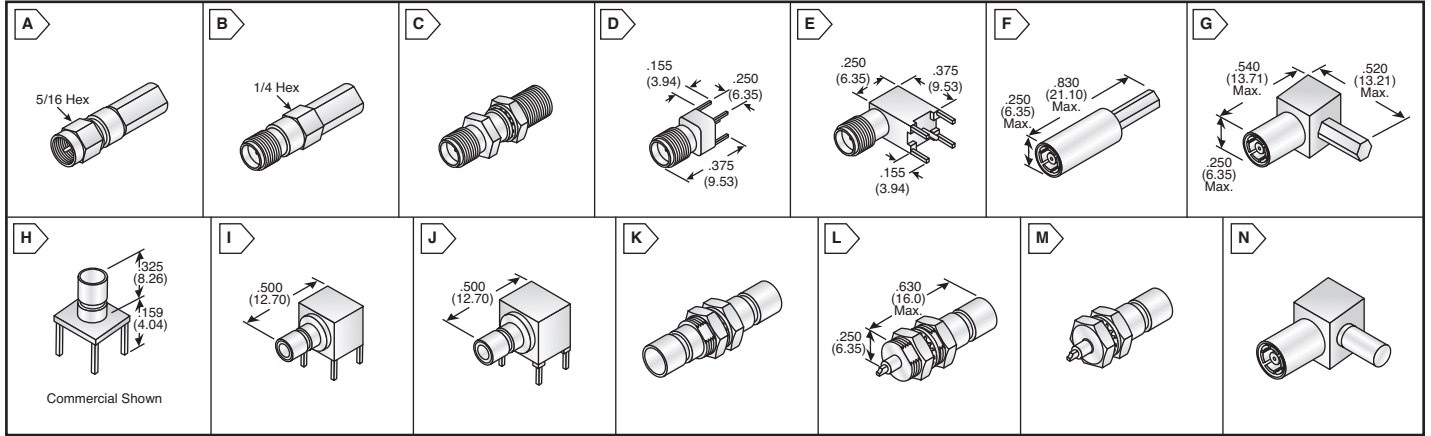


ACCESSORIES

MOUSER STOCK NO.	TE Part No.	Price Each
571-13296322	1-329632-2	0,31
Lockwasher		
Jam Nut		
571-13296312	1-329631-2	0,24

TE SMA and SMB Connectors

RoHS Compliant This product is RoHS compliant.



DIMENSIONS: mm (in.)

SMA CONNECTORS

Crimp Connectors

Features:
 • Center Contacts • Body Material: Brass • Body Finish: Nickel
 For quantities greater than listed, call for quote.

MOUSER STOCK NO.	TE Part No.	Fig.	Description	Cable Type RG/U	Price Each			
					1	10	25	100
571-5447647-2	5447647-2	A	Plug, Hex Crimp	142, 142A, 142B	4,37	4,23	4,15	3,74
571-5447647-3	5447647-3	A	Plug, Hex Crimp	174, 174A, 188, 188A, 316	14,90	14,45	13,44	12,77
571-5447648-3	5447648-3	B	Jack, Hex Crimp	174, 174A, 188, 188A, 316	6,90	5,93	5,24	4,99

Bulkhead Jack & Adapter

Features:
 • Body Material: Stainless Steel • Body Finish: Passivated • Center Contact Material: Beryllium Copper • Center Contact Plating: Gold
 For quantities greater than listed, call for quote.

MOUSER STOCK NO.	TE Part No.	Fig.	Description	Price Each
571-2216431	221643-1	C	Bulkhead Jack Adapter (Jack-Jack), front and rear mount	20,25 19,64 18,28 17,36

PC Board Jacks

Features:
 • Center Contact Material: Beryllium Copper • Center Contact Plating: Gold • Dielectric: Teflon • Gasket Material: Silicone Rubber
 For quantities greater than listed, call for quote.

MOUSER STOCK NO.	TE Part No.	Fig.	Description	Material and Finish	Price Each			
					1	10	25	100
571-221789-1	221789-1	D	Vertical	Brass and Gold	7,59	6,77	6,39	6,07
571-221790-1	221790-1	E	Right Angle	Stainless Steel and Gold	16,68	15,85	15,06	14,30

SMB PLUGS - 50 OHM

Specifications:
 • Center Contact: Gold • 50 Ohm • TEFLON • Outer Contact: Gold • Other Metal Parts: Listed Below
 For quantities greater than listed, call for quote.

MOUSER STOCK NO.	TE Part No.	Fig.	Description	Style	Cable Type RG/U	Price Each			
						1	10	25	100
571-4139856	413985-6	F	Nickel	Mil	178, 178A, 178B, 196, 196A	6,51	5,87	5,16	4,44
571-4139851	413985-1	F	Gold	Mil	174, 316, 188, 188A	6,31	6,12	5,93	5,76
571-4139853	413985-3	F	Nickel	Mil	174, 316, 188, 188A	5,36	5,20	5,04	4,89
571-4140021	414002-1	G	Right Angle, Gold	Mil	174, 316, 188, 188A, 179, 179A, 179B, 161, 187, 187A, Belden 9221	9,66	9,18	8,72	8,28
571-4140023	414002-3	G	Right Angle, Nickel	Mil	174, 316, 188, 188A, 179, 179A, 179B, 161, 187, 187A, Belden 9221	9,33	8,86	8,42	8,00
571-5414363-3	5414363-3	G	Right Angle, Gold	Diecast	174, 316, 188, 188A, 179, 179A, 179B, 161, 187, 187A, Belden 9221	4,55	4,41	4,28	4,15

SMB JACKS - 50 OHM

Specifications:
 • Center Contact: Gold • 50 Ohm • TEFLON • Outer Contact: Gold • Other Metal Parts: Listed Below
 For quantities greater than listed, call for quote.

MOUSER STOCK NO.	TE Part No.	Fig.	Description	Body Plating	Dielectric	Style	Price Each
571-5221111-1	5221111-1	H	PCB, Vertical, Nickel	Comm.	----	----	2,76 2,70 2,68 2,52
571-4139901	413990-1	H	PCB, Vertical, Gold	Mil	----	----	4,45 4,23 4,02 3,82
571-4139902	413990-2	H	PCB, Vertical, Nickel	Mil	----	----	3,59 3,41 3,24 3,07
571-4139962	413996-2	I	Bulkhead, Right Angle, Low Profile, Gold	Mil	----	----	21,72 19,12 16,89 16,10
571-4140262	414026-2	J	Bulkhead, Right Angle, w/standoff pads, Gold	Mil	----	----	8,73 8,29 7,88 7,48
571-2285531	228553-1	K	Bulkhead Adapter (Jack-Jack) Nickel	Mil	----	----	7,68 7,30 6,93 6,58

BULKHEAD PCB JACK, SOLDER RECEPTACLE KITS

Kit includes lockwasher and jam nut.

For quantities greater than listed, call for quote.

MOUSER STOCK NO.	TE Part No.	Fig.	Description	Body Plating	Dielectric	Style	Price Each
571-2282161	228216-1	L	Front Mount	Nickel	TEFLON	Mil	7,35 6,98 6,63 6,30
571-2282151	228215-1	M	Rear Mount	Nickel	TEFLON	Mil	24,13 20,74 16,40 15,70

SMB CONNECTORS - 75 OHM

Specifications:
 • Dielectric: TEFLON • Center Contact: Gold
 For quantities greater than listed, call for quote.

MOUSER STOCK NO.	TE Part No.	Fig.	Description	Style	Cable Type RG/U	Price Each
571-4140486	414048-6	N	Plug, Right Angle, Nickel	Comm.	179, 179A, 179B, 161, 187, 187A, Belden 9221	29,21 25,11 22,20 19,86

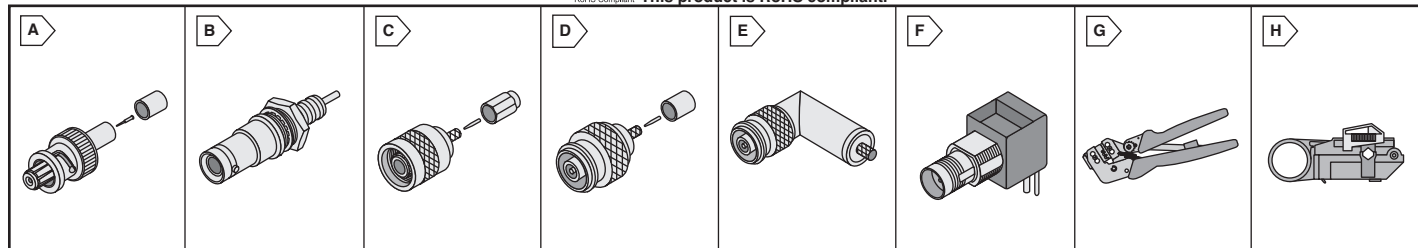
TOOLS

For quantities greater than listed, call for quote.

MOUSER STOCK NO.	TE Part No.	Description	Cable Type RG/U	Price Each
571-585001	58500-1	Crimp Tool, 50 Ohm, Hex/Comm with Die Set	174, 316, 188, 179, 161, 187, RD 316, 188 Double Braid	368,34
571-3549401	354940-1	Pro Crimper III Hand Tool without Die	----	65,80
571-584891	58489-1	Die Set, Hex/Commercial	174, 179, 187	306,40
571-584831	58483-1	Die Set, Mil Type Crimp	----	173,84

TE RF Connectors and Tools

RoHS Compliant This product is RoHS compliant.



SHV CONNECTORS

- Center contact : Gold
- Dual crimp
- SHV: Safe High Voltage

For quantities greater than listed, call for quote.

MOUSER STOCK NO.	TE Part No.	Fig.	Description	Cable Type RG/U	Price Each		
					1	10	25
571-5051426-4	5051426-4	A	Plug, Nickel, Teflon	58, 58A, 58B, 58C	45,12	42,87	40,72
571-5051426-2	5051426-2	A	Plug, Silver, Teflon	124, 140, 210, 62, 62A, 62B, 59, 59A, 59B, Belden 9291, 9209, 9269	50,79	48,25	45,84
571-514942	51494-2	B	Bulkhead Solder Jack, Nickel	-----	17,56	16,68	15,85

TNC PLUGS

- 50Ω
- Center contacts: Gold

For quantities greater than listed, call for quote.

MOUSER STOCK NO.	TE Part No.	Fig.	Description	Cable Type RG/U	Price Each		
					1	10	25
Hex Crimp							
571-5222506-5	5222506-5	C	Nickel, Polypropylene	174, 188, 188A, 316	5,89	5,51	5,29
571-5222506-1	5222506-1	C	Nickel, Polypropylene	58, 58A, 58B, 58C	3,87	3,67	3,49
Dual Crimp - Weatherproof - Mil Type							
571-5225555-6	5225555-6	D	Nickel, Teflon	142, 142A, 142B, 400	17,91	17,37	16,16
571-5225559-2	5225559-2	E	Right Angle, Nickel, Teflon	58, 58A, 58B, 58C	33,48	32,47	30,22
571-5225554-6	5225554-6	E	Right Angle, Silver, Teflon	142, 142A, 142B, 400	44,19	40,09	38,17

TNC JACK

- Right Angle
- 50Ω
- Center contact plating: Gold
- Body material: Metal
- PC Board/Panel Mount
- 1/2-28 Thread
- Mounting Height: 15.88 (.625)
- For Panel Mount: lockwasher (571-13296322) and jam nut (571-13296312) required, sold separately

For quantities greater than listed, call for quote.

MOUSER STOCK NO.	TE Part No.	Fig.	Description	Cable Type RG/U	Price Each		
					1	10	25
571-5227839-1	5227839-1	F	With mounting posts	-----	9,06	8,62	8,18

TOOLS AND DIES FOR RF CONNECTORS

For quantities greater than listed, call for quote.

MOUSER STOCK NO.	TE Part No.	Fig.	Description	Termination Type	Cable Type RG/U	Price Each
50 Ohm						
571-584331	58433-1	G	PRO-CRIMPER III w/die	BNC Dual "O" Crimp Comm.	---	178,70
571-3549401	354940-1	G	PRO-CRIMPER III (Frame only)	O Crimp Commercial	210, 62, 62A, 62B, 59, 59A, 59B, Belden 9169, 9209, 9291, 89269	65,80
571-584332	58433-2	G	PRO-CRIMPER III w/die	BNC Hex Crimp	---	219,41
571-584363	58436-3	-	Die for PRO-CRIMPER	BNC Hex Crimp	161, 174, 179, 179A, 179B, 180, 180A, 187, 187A, 188, 188A, 195, 195A, 316, Belden 9221, C1180B	117,00
571-584362	58436-2	-	Die for PRO-CRIMPER	BNC Hex Crimp Comm.	Belden 8281, 9141, 9231, Western Electric, 724, 728, 3049	86,78
571-584351	58435-1	-	Die for PRO-CRIMPER	BNC "O" Crimp Comm.	---	151,82
571-3184502	318450-2	-	Die for PRO-CRIMPER	"O" Crimp Comm.	---	391,52
571-3184522	318452-2	-	Die for PRO-CRIMPER	BNC "O" Crimp Comm.	---	1013,39
571-2201893	220189-3	-	Die for PRO-CRIMPER	O Crimp Mil Type	55, 55A, 55B, 58, 58A, 58B, 58C, 141, 141A, 142, 142A, 142B, 223, 303, 400, Belden 88240, Berk-Tek BTDC-58, Comm/Scope 2135	275,79
571-2201891	220189-1	-	Die for PRO-CRIMPER	O Crimp Comm.	55, 55A, 55B, 58, 58A, 58B, 58C, 141, 141A, 142, 142A, 142B, 223, 303, 400	190,03
571-585371	58537-1	-	Die for PRO-CRIMPER	O Crimp Mil Type	59, 59A, 59B, 62, 62A, 62B, 124, 140, 210, 302, Belden 9104, 9112, 9167, 9209, 9240, 9259, 9266, 9291, 9269, 88241, 89269, Hi-Temp 59 & 62A, Times PL59, PL62, PLF59, FM-59, Berk-Tek, BTDC-59, BTDC-62	379,29
571-584361	58436-1	-	Die Set	---	RG58/59 Hex IS9159	117,00
75 Ohm						
571-584252	58425-2	-	Die for PRO-CRIMPER	TNC Hex Crimp Comm.	179, 179A, 179B, 187, 187A, Belden 9221	117,00
571-584251	58425-1	-	Die for PRO-CRIMPER	TNC Hex Crimp Comm.	210, 62, 62A, 62B, 59, 59A, 59B, 302, Belden 9104, 9112, 9167, 9209, 9240, 9259, 9209, 9240, 9259, 9266, 9269, 9291, 88241, 89269, Hi-Temp 62A, Times PL62, FM-59, Berk-Tek BTDC-59, BTDC-62	117,00
571-585312	58531-2	-	PRO-CRIMPER w/ Die	---	---	137,90
571-585381	58538-1	-	Die for PRO-CRIMPER	TNC "O" Crimp Comm.	Belden 8281, 9141, 9231	779,28
571-581741	58174-1	-	Die for PRO-CRIMPER	TNC "O" Crimp Comm.	AT&T 735A	573,89
571-580861	58086-1	-	Die for PRO-CRIMPER	---	---	917,95
N Type						
571-585011	58501-1	-	PRO-CRIMPER w/ Die	---	---	328,73
571-584851	58485-1	-	Die Set for PRO-CRIMPER	Hex Crimp	8, 9, 213, 214, Belden 9880	275,81
571-91902-1	91902-1	-	Die Set for 225361-1 & 225361-4	---	RG141	362,16
Cable Stripper						
571-603995-1	603995-1	H	Coax Cable Stripper	BNC Single Crimp	---	109,10

AMPHENOL RF Connectors and Adapters Amphenol®

RoHS Compliant This page of product is compliant.

AMPHENOL NON-MAGNETIC COAXIAL CONNECTORS

Designed to carry 50Ω signals within the magnetic imaging field of MRI equipment where a high signal-to-noise ratio (SNR) is required. Product is manufactured under strict quality procedures throughout the entire production process to ensure that each connector will not produce image artifacts during MRI scans. All product is 100% tested for magnetism prior to shipping.

* Contact and body plating: Gold over white bronze

For quantities greater than listed, call for quote.

MOUSER STOCK NO.	Amphenol Part No.	Fig.	Description	Cable Type	Price Each			
					1	10	25	100
Type MMCX								
523-908-NM43200	908-NM43200	A	Right Angle Plug	RG-178	8,64	7,86	7,21	6,52
523-908-NM43300	908-NM43300	A	Right Angle Plug	RG-316	9,98	9,05	8,08	7,29
523-908-NM22106	908-NM22106	B	Straight PCB Jack	---	4,52	4,11	3,57	3,22
523-908-NM24100	908-NM24100	C	Right Angle PCB Jack	---	11,40	10,31	9,53	8,74
Type MCX								
523-919-NM122P-51A	919-NM122P-51A	D	Right Angle Plug	RG-178	7,83	7,11	6,52	6,01
523-919-NM104P-51A	919-NM104P-51A	D	Right Angle Plug	RG-316	7,80	7,07	6,47	5,84
523-919-NM101P-51S	919-NM101P-51S	E	Straight Plug	RG-316	7,99	7,27	6,31	5,71
523-919-NM109J-51P	919-NM109J-51P	F	Straight PCB Jack	---	5,08	4,62	4,23	3,91
523-919-NM119J-51A	919-NM119J-51A	G	Right Angle PCB Jack	---	8,03	7,44	6,67	6,20
Type SMB								
523-903-NM291P-51A	903-NM291P-51A	H	Right Angle Plug	RG-178	10,74	9,92	8,95	8,06
523-903-NM289P-51A	903-NM289P-51A	H	Right Angle Plug	RG-316	8,12	7,27	6,24	5,96
523-903-NM285P-51S	903-NM285P-51S	I	Straight Plug	RG-316	8,36	7,50	6,44	5,91

AMPHENOL IN SERIES ADAPTERS

Amphenol's standard, in-line In-Series Adapters offer an attractive, seamless solution to all of your in-series interconnect needs.

For quantities greater than listed, call for quote.

MOUSER STOCK NO.	Amphenol Part No.	Fig.	Description	Price Each			
				1	10	25	100
523-132168	132168	I	SMA Straight Plug to Plug 50Ω	6,19	5,63	5,15	4,75
523-132168RP	132168RP	I	SMA Straight Plug to Plug; Reverse Polarity 50Ω	12,23	11,02	10,10	9,34
523-132169	132169	J	SMA Straight Jack to Jack 50Ω	4,76	4,37	3,95	3,58
523-132170	132170	K	SMA Straight Bulkhead Jack to Jack 50Ω	7,39	6,68	6,13	5,65
523-132170RP	132170RP	K	SMA Straight Bulkhead Jack to Jack; Reverse Polarity 50Ω	12,11	10,91	10,01	9,24
523-132171	132171	L	SMA Straight Plug to Jack 50Ω	6,95	6,32	5,95	5,41
523-132171RP	132171RP	L	SMA Straight Plug to Reverse Polarity Jack; 50Ω	6,42	5,89	4,90	4,50
523-132171RP-10	132171RP-10	L	SMA Straight Reverse Polarity Plug to Jack, 50Ω	6,73	5,95	5,33	4,66
523-132171RP-RP	132171RP-RP	M	SMA Straight Reverse Polarity Plug to Reverse Polarity Jack, 50Ω	8,71	7,94	7,31	6,85
523-132172	132172	N	SMA Right Angle Plug to Jack 50Ω	8,29	8,05	7,36	6,77
523-132172RP	132172RP	N	SMA Right Angle Plug to Jack; Reverse Polarity 50Ω	9,56	8,45	7,73	7,22
523-132216	132216	O	SMA Jack to Jack to Jack Tee 50Ω	13,32	11,99	11,05	10,26
523-132217	132217	P	SMA Jack to Plug to Jack Tee 50Ω	13,56	12,42	11,47	9,59
523-132274	132274	Q	SMA Right Angle Jack to Jack 50Ω	8,52	7,78	7,10	6,44
523-132339	132339	R	SMA Right Angle Plug to Plug, 50Ω	9,50	8,65	7,69	7,14
523-112437	112437	-	BNC Straight Bulkhead Jack to Jack 50Ω	4,00	3,66	3,40	3,11
523-112438	112438	-	BNC Straight Bulkhead Jack to Jack 75Ω	4,00	3,66	3,40	3,11
523-112439	112439	-	BNC Straight Bulkhead Isolated Jack to Jack 50Ω	5,64	5,16	4,70	4,37
523-112440	112440	-	BNC Straight Bulkhead Isolated Jack to Jack 75Ω	6,05	5,58	4,92	4,67
523-112443	112443	-	BNC Straight Jack to Jack 50Ω Isolated	4,96	4,73	4,31	3,90
523-112445	112445	-	BNC Straight Jack to Jack 50Ω	2,24	2,04	1,88	1,66
523-112447	112447	-	BNC Straight Plug to Plug 50Ω; Brass	4,19	3,84	3,55	3,30
523-112455	112455	-	BNC Straight Jack to Jack to Jack Tee 50Ω	7,00	6,40	5,94	5,64
523-112461	112461	-	BNC Straight Jack to Plug to Jack Tee 50Ω	2,95	2,62	2,45	2,27
523-122352	122352	-	TNC Right Angle Plug to Jack 50Ω	5,40	4,93	4,36	4,04
523-172124	172124	S	N Straight Jack to Jack 50Ω	7,55	6,90	6,35	5,88
523-172212RP	172212RP	T	N Plug to N Jack; Reverse Polarity	11,58	10,37	9,56	8,93
523-172213RP	172213RP	T	N Jack to N Plug; Reverse Polarity	21,42	20,02	18,26	18,00

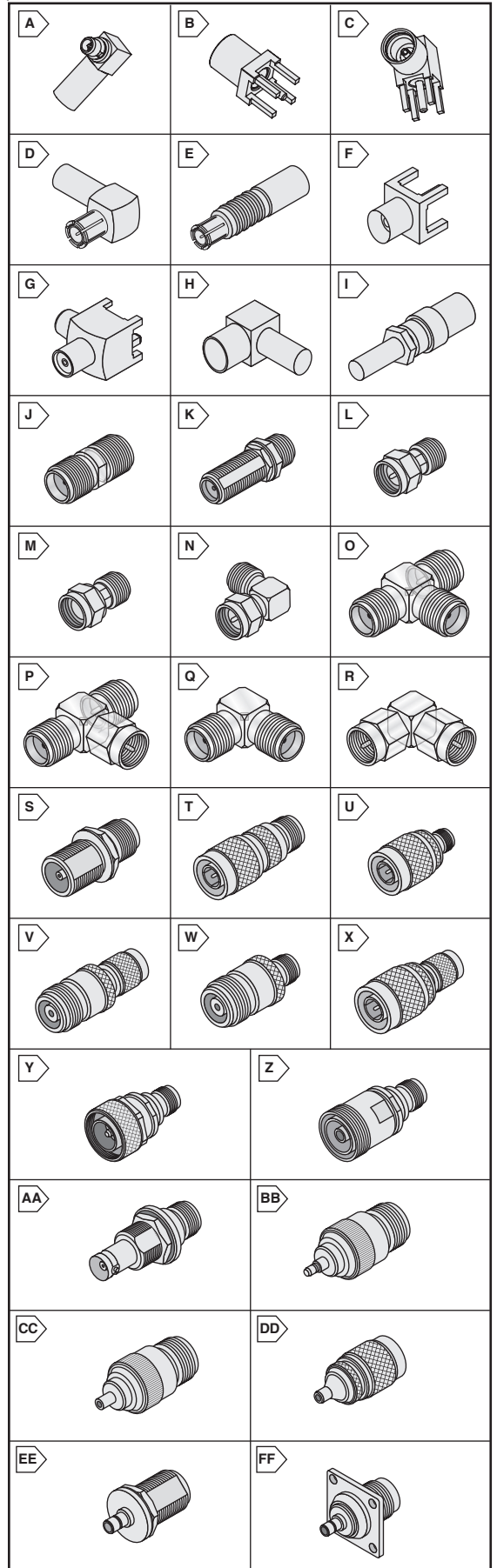
AMPHENOL BETWEEN SERIES ADAPTERS

Amphenol's standard, in-line Between-Series Adapters offer an attractive, low-VSWR solution to all of your between-series interconnect needs.

Type N

For quantities greater than listed, call for quote.

MOUSER STOCK NO.	Amphenol Part No.	Fig.	Description	Price Each			
				1	10	25	100
523-242120	242120	-	N Jack to F Jack	20,80	19,01	16,38	15,01
523-242130	242130	U	N Plug to TNC Jack	15,61	14,12	13,46	11,93
523-242130RP	242130RP	U	N Plug to TNC Jack; Reverse Polarity	15,61	14,27	13,31	11,93
523-242131	242131	V	N Jack to TNC Plug	12,24	11,23	10,03	8,26
523-242131RP	242131RP	V	N Jack to TNC Plug; Reverse Polarity	15,61	14,27	13,31	11,93
523-242132	242132	W	N Jack to TNC Jack	18,72	17,11	14,04	13,96
523-242132RP	242132RP	W	N Jack to TNC Jack; Reverse Polarity	15,61	14,27	13,31	11,93
523-242133	242133	-	N Plug to TNC Plug	20,03	18,30	15,01	13,86
523-242133RP	242133RP	-	N Plug to TNC Plug; Reverse Polarity	19,80	18,41	15,60	14,40
523-242136	242136	X	N Jack to 7/16 Plug	65,30	60,61	53,21	49,69
523-242137	242137	Z	N Jack to 7/16 Jack	65,30	60,61	53,21	49,69
523-242152	242152	-	N Jack to F Plug	21,13	19,32	15,85	14,63
523-242156	242156	-	N Plug to F Jack	12,24	10,70	10,15	8,26
523-242162	242162	AA	N Jack to BNC Bulkhead Jack	22,93	21,40	20,63	19,49
523-242167	242167	BB	N Jack to MMCX Plug	24,50	22,62	21,00	19,60
523-242168	242168	CC	N Jack to MMCX Jack	24,50	22,62	21,00	19,60
523-242170	242170	DD	N Plug to MCX Jack	26,21	24,19	22,46	20,96
523-242183	242183	EE	N Jack to SMB Bulkhead Jack	19,72	18,46	15,91	14,46
523-242198	242198	FF	N Jack to SMB Jack	28,46	25,73	22,07	20,54



RF Connectors

Amphenol

AMPHENOL RF Between Series Adapters Amphenol®

RoHS Compliant This product is RoHS compliant.

AMPHENOL BETWEEN SERIES ADAPTERS (CONT.)

Amphenol's standard, in-line Between Series Adapter line offers an attractive, low-VSWR solution for all of your between series interconnect needs. All gender combinations, reverse polarity, bulkhead and panel mount options are available.

Type BNC

For quantities greater than listed, call for quote.

MOUSER STOCK NO.	Amphenol Part No.	Fig.	Description	Price Each			
				1	10	25	100
523-242184	242184	A	BNC Plug to SMB Jack	15,61	14,70	13,31	11,93
523-242185	242185	B	BNC Jack to SMB Plug	11,99	10,64	9,73	8,96
523-242186	242186	C	BNC Plug to SMB Jack	15,61	14,12	13,46	11,93
523-242187	242187	D	BNC Plug to SMB Plug	17,95	16,37	15,11	13,82
523-242148	242148	E	BNC Plug to TNC Jack	15,61	14,12	13,46	11,93
523-242149	242149	F	BNC Jack to TNC Plug	7,48	6,76	6,18	5,52
523-242150	242150	G	BNC Jack to TNC Jack	15,61	14,12	13,46	11,93
523-242151	242151	H	BNC Plug to TNC Plug	20,38	18,67	17,24	16,01
523-242121	242121	I	BNC Jack to N Plug	15,61	14,70	13,31	11,93
523-242101	242101	J	BNC Plug to N Jack	15,61	14,12	13,46	11,93
523-242100	242100	K	BNC Jack to N Jack	17,04	15,62	14,42	13,39
523-242122	242122	L	BNC Plug to N Plug	17,04	15,62	14,42	14,14
523-242134	242134	M	BNC Plug to UHF Jack	17,95	16,62	15,62	14,27
523-242154	242154	N	BNC Plug to F Jack	15,61	14,27	13,31	11,93
523-242159	242159	O	BNC Jack to F Plug	18,85	17,46	16,42	13,63
523-242160	242160	P	BNC Plug to F Plug	13,31	12,16	10,62	10,19
523-242199	242199	--	BNC Jack to F Plug	13,88	12,68	11,09	9,85

Type SMA

For quantities greater than listed, call for quote.

MOUSER STOCK NO.	Amphenol Part No.	Fig.	Description	Price Each			
				1	10	25	100
523-242102	242102	Q	SMA Plug to BNC Jack	6,10	4,74	4,36	4,04
523-242103	242103	R	SMA Jack to BNC Plug	11,89	10,56	9,66	8,89
523-242123	242123	S	SMA Jack to BNC Jack	11,21	10,15	9,25	8,40
523-242104	242104	T	SMA Plug to BNC Plug	16,14	15,30	14,12	12,82
523-242181	242181	U	SMA Jack to BNC Bulkhead Jack	15,61	14,70	13,31	11,93
523-242124	242124	V	SMA Plug to TNC Jack	12,24	10,70	10,15	8,26
523-242105	242105	W	SMA Jack to TNC Plug	8,92	8,06	7,36	6,67
523-242105RP	242105RP	X	SMA Jack to TNC Plug; Rev. Polarity	15,61	14,27	13,31	11,93
523-242106	242106	Y	SMA Plug to TNC Plug	15,61	14,27	13,31	11,93
523-242107	242107	Y	SMA Jack to TNC Jack	17,04	15,62	14,42	14,14
523-242107RP	242107RP	Y	SMA Jack to TNC Jack; Rev. Polarity	15,61	14,12	13,46	11,93
523-242109	242109	Z	SMA Jack to UHF Plug	22,25	20,33	17,52	16,06
523-242178	242178	AA	SMA Jack to TNC Bulkhead Jack	16,90	15,38	14,21	13,00
523-242144	242144	BB	SMA Plug to SMB Jack	15,61	14,27	13,31	11,93
523-242145	242145	AA	SMA Jack to SMB Plug	15,24	14,60	13,31	11,93
523-242146	242146	BB	SMA Plug to SMB Plug	15,61	14,27	13,31	11,93
523-242147	242147	CC	SMA Jack to SMB Jack	15,61	14,12	13,46	11,93
523-242174	242174	DD	SMA Plug to SMC Jack	20,03	18,30	15,01	13,86
523-242175	242175	EE	SMA Jack to SMC Plug	18,72	17,11	14,04	12,96
523-242176	242176	FF	SMA Jack to SMC Jack	18,72	17,11	14,04	13,96
523-242177	242177	GG	SMA Bulkhead Jack to SMB Jack	20,03	18,30	15,01	13,86
523-242182	242182	HH	SMA Jack to SMB Bulkhead Jack	15,61	14,27	13,31	11,93
523-242112	242112	II	SMA Plug to N Jack	11,89	10,79	9,89	8,26
523-242112RP	242112RP	II	SMA Plug to N Jack; Rev. Polarity	12,24	10,70	10,15	8,26
523-242113	242113	JJ	SMA Jack to N Plug	9,00	8,15	7,48	6,90
523-242113RP	242113RP	JJ	SMA Jack to SMA Plug; Rev Polarity	20,80	19,01	15,60	14,40
523-242114	242114	KK	SMA Plug to N Plug	13,24	12,00	10,99	10,15
523-242115	242115	LL	SMA Jack to N Jack	11,89	10,79	9,89	8,26
523-242125	242125	MM	SMA Jack to N Bulkhead Jack	9,08	8,56	7,85	7,24
523-242163	242163	NN	SMA Jack to N Panel Jack	10,94	9,98	9,18	8,26
523-242126	242126	OO	SMA Plug to MCX Jack	17,68	16,15	14,93	14,38
523-242127	242127	PP	SMA Jack to MCX Plug	14,14	12,76	11,77	10,93
523-242128	242128	QQ	SMA Plug to MCX Plug	24,30	22,98	21,07	19,26
523-242129	242129	RR	SMA Jack to MCX Jack	16,31	15,44	14,21	13,00
523-242140	242140	SS	SMA Plug to MMCX Jack	15,61	14,12	13,46	11,93
523-242141	242141	TT	SMA Jack to MMCX Plug	14,87	14,21	13,16	12,25
523-242142	242142	UU	SMA Plug to MMCX Plug	15,61	14,12	13,46	11,93
523-242143	242143	VV	SMA Bulkhead Jack to MMCX Plug	15,61	14,12	13,46	11,93
523-242193	242193	WW	SMA Jack to MMCX Bulkhead Plug	22,25	20,33	16,69	15,41
523-242200	242200	XX	SMA Jack to SSMB Jack	22,25	20,33	16,85	15,72
523-242189	242189	YY	SMA Plug to SSMA Jack	22,25	20,33	16,69	15,41
523-242212	242212	ZZ	SMA Plug to AMC/U.FL Jack	15,61	14,12	13,46	11,93

Type F

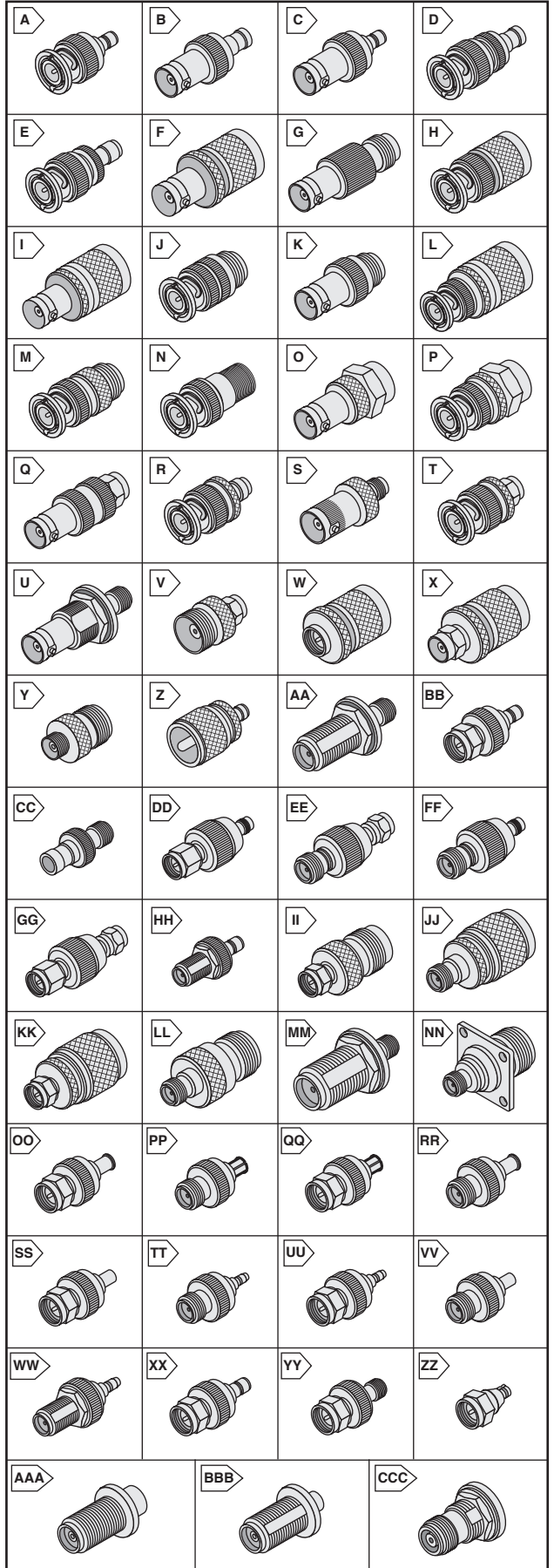
For quantities greater than listed, call for quote.

MOUSER STOCK NO.	Amphenol Part No.	Fig.	Description	Price Each			
				1	10	25	100
523-242223	242223	AAA	F Jack to SMB Plug	15,53	14,63	14,21	13,57
523-242224	242224	BBB	F Jack to SMB Jack	15,61	14,27	13,31	11,93

Type TNC

For quantities greater than listed, call for quote.

MOUSER STOCK NO.	Amphenol Part No.	Fig.	Description	Price Each			
				1	10	25	100
523-242192	242192	CCC	TNC Bulkhead Jack to AMC/U.FL Jack	18,84	17,17	15,86	14,52
523-242192RP	242192RP	CCC	TNC Bulkhead Jack to AMC/U.FL Jack; Reverse Polarity	19,74	18,29	15,47	14,47



SMA SERIES CONNECTORS AND ACCESSORIES

These SMA connectors offer a compact size and mechanically give outstanding durability.

- Impedance: 50Ω
- Body Material: Brass
- Insulation: Teflon
- Finish & Center Contact: Gold
- Frequency Range: 0-18GHz (semi-rigid); 0-12.4GHz (flexible cable)

SMA Coaxial Connectors

For quantities greater than listed, call for quote.

MOUSER STOCK NO.	Amphenol Part No.	Fig.	Description	Cable	Crimp Tool	Price Each			
						1	10	25	100
523-132114	132114	A	Straight Crimp Plug	LMR 100/RG316/U	47-10150	3,65	3,30	3,02	5,10
523-132113	132113	A	Straight Crimp Plug	LMR 195/RG58/U	47-10070	3,68	3,32	3,06	6,06
523-132234	132234	A	Straight Crimp Plug	LMR 200	47-10070	4,06	3,66	3,35	3,35
523-132231	132231	A	Straight Crimp Plug	LMR 240/8X	47-10070	6,17	5,52	5,08	3,52
523-132298	132298	A	Straight Crimp Plug	LMR 400/B9913	47-10210	9,29	8,48	7,51	3,91
523-132178	132178	A	Straight Crimp Plug	RG 316 U Dbl Braid	-	4,27	3,97	3,73	4,06
523-132193	132193	A	Straight Crimp Plug	RG 178/196	47-10150	5,54	5,17	4,74	13,85
523-132195	132195	A	Straight Crimp Plug	RG 223/142	47-10070	3,70	3,58	3,24	3,95
523-132100	132100	B	Straight Solder Plug (no contact)	.141 Semi-Rigid	-	1,90	1,78	1,64	4,46
523-132102	132102	C	Straight Solder Plug (with contact)	.141 Semi-Rigid	-	2,93	2,69	2,46	4,67
523-132101	132101	C	Straight Solder Plug	.085 Semi-Rigid	-	2,93	2,69	2,46	3,60
523-132188	132188	C	Straight Solder Plug w/Torque Nut	.085 Semi-Rigid	-	4,76	4,22	3,90	5,76
523-132249	132249	C	Straight Solder Plug	.047 Semi-Rigid	-	4,66	4,20	3,82	5,11
523-132296	132296	C	Straight Solder Plug	.250 Semi-Rigid	-	5,81	5,29	4,90	4,99
523-132123	132123	D	Right Angle Crimp Plug	LMR 100/RG316/U	47-10150	6,35	6,14	5,50	4,91
523-132122	132122	D	Right Angle Crimp Plug	LMR 195/RG58/U	47-10070	6,36	5,89	5,42	8,56
523-132235	132235	D	Right Angle Crimp Plug	LMR 200	47-10070	8,05	7,39	6,84	7,96
523-132239	132239	D	Right Angle Crimp Plug	LMR 240/8X	47-10070	10,94	9,96	8,86	9,25
523-132173	132173	D	Right Angle Crimp Plug	RG 178/196	47-10150	6,89	6,38	5,80	8,80
523-132194	132194	D	Right Angle Crimp Plug	RG 55/142/223/400	47-10070	8,12	7,36	6,77	16,14
523-132112	132112	E	Right Angle Solder Plug	.141 Semi-Rigid	-	5,84	5,53	5,16	8,11
523-132111	132111	E	Right Angle Solder Plug	.085 Semi-Rigid	-	6,11	5,68	5,08	8,80
523-132117	132117	F	Straight Crimp Jack	LMR 100/RG316/U	47-10150	4,50	4,16	3,73	10,02
523-132116	132116	F	Straight Crimp Jack	LMR 195/RG58/U	47-10070	5,05	4,73	4,36	10,07
523-132240	132240	F	Straight Crimp Jack	LMR 240	47-10070	5,15	4,68	4,15	6,01
523-132236	132236	G	Straight Crimp Jack	LMR 200	47-10070	7,37	6,74	6,25	3,88
523-132104	132104	H	Straight Solder Jack	.141 Semi-Rigid	-	4,25	3,88	3,53	5,81
523-132103	132103	H	Straight Solder Jack	.085 Semi-Rigid	-	3,79	3,38	3,11	5,45
523-132119	132119	I	Bulkhead Crimp Jack	LMR 100/RG316/U	47-10150	5,87	5,38	4,96	3,74
523-132118	132118	I	Bulkhead Crimp Jack	LMR 195/RG58/U	47-10070	6,14	5,52	5,06	3,40
523-132241	132241	I	Bulkhead Crimp Jack	LMR 240/B7808A	47-10070	7,91	7,19	6,40	4,32
523-132106	132106	J	Bulkhead Solder Jack	.141 Semi-Rigid	-	7,15	6,52	5,94	5,35
523-132105	132105	J	Bulkhead Solder Jack	.085 Semi-Rigid	-	6,64	6,18	5,71	5,77
523-132246	132246	K	Right Angle Bulkhead Crimp Jack	LMR 195 / RG 58/U	47-10070	20,66	18,94	17,48	5,62
523-132245	132245	K	Right Angle Bulkhead Crimp Jack	LMR 100 / RG 316/U	47-10150	7,92	7,21	6,41	6,20
523-132120	132120	L	Panel Mount Crimp Jack, 4-hole	LMR 195 / RG58	47-10070	8,62	7,87	6,97	6,04
523-132121	132121	L	Panel Mount Crimp Jack, 4-hole	LMR 100 / RG316	47-10150	9,14	8,39	7,48	5,99
523-132107	132107	M	Panel Mount Solder Jack, 4-hole	.085 Semi-Rigid	-	7,99	7,27	6,65	6,11
523-132108	132108	M	Panel Mount Solder Jack, 4-hole	.141 Semi-Rigid	-	7,42	6,74	6,00	13,36
523-132109	132109	N	Panel Mount Solder Jack, 2-hole	.085 Semi-Rigid	-	7,28	6,64	6,05	7,36
523-132110	132110	N	Panel Mount Solder Jack, 2-hole	.141 Semi-Rigid	-	8,02	7,68	7,02	6,58

SMA Panel Mount and PCB Connectors

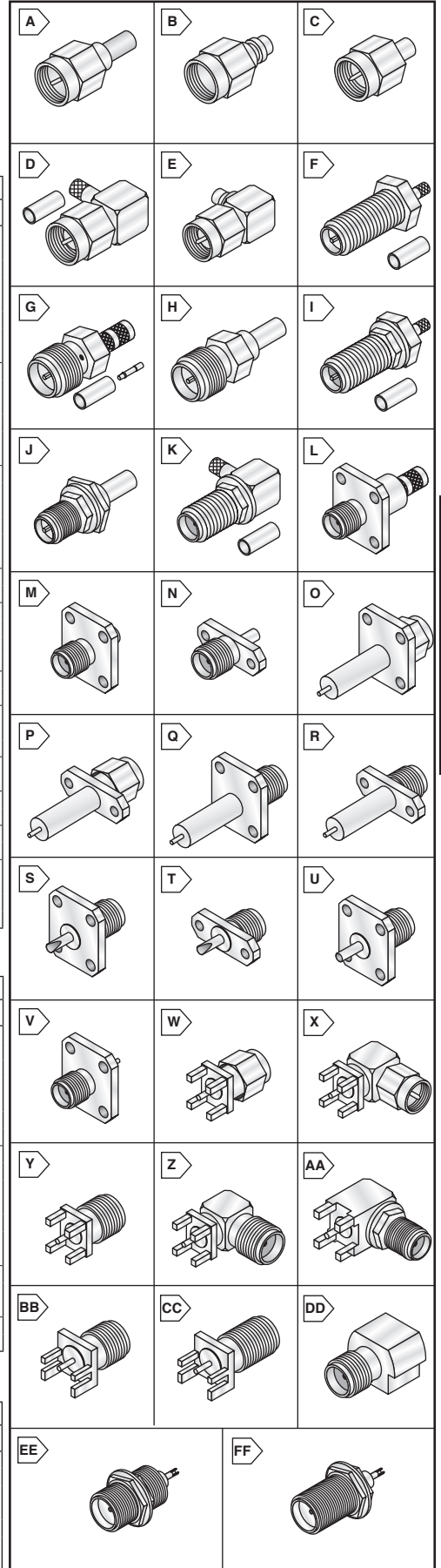
For quantities greater than listed, call for quote.

MOUSER STOCK NO.	Amphenol Part No.	Fig.	Description	Price Each		
				1	10	25
523-132144	132144	O	Panel Mnt Plug, 4-hole, Extend Teflon	8,63	7,85	7,03
523-132145	132145	P	Panel Mnt Plug, 2-hole, Extend Teflon	8,45	7,74	7,12
523-132146	132146	Q	Panel Mnt Jack, 4-hole, Extend Teflon	6,62	6,16	5,53
523-132147	132147	R	Panel Mnt Jack, 2-hole, Extend Teflon	8,35	7,63	7,02
523-132142	132142	S	Panel Mount Jack, 4-hole	7,61	6,92	6,50
523-132143	132143	T	Panel Mount Jack, 2-hole	8,04	7,31	6,56
523-132150	132150	U	Panel Mount Jack, 4-hole, Sq Flange	7,44	6,77	6,02
523-132166	132166	V	Straight Crimp Jack, 4 hole, .500 Sq	11,12	10,13	9,01
523-132133	132133	W	Straight PCB Plug	7,87	7,18	6,37
523-132135	132135	X	Right Angle PCB Plug	10,44	9,50	8,28
523-132134	132134	Y	Straight PCB Jack	3,78	3,50	3,13
523-132136	132136	Z	Right Angle PCB Jack	6,52	6,01	5,58
523-132225	132225	Z	Right Angle PCB Jack Die-Cast	6,32	5,75	5,11
523-132203	132203	AA	Right Angle Bulkhead PCB Jack	11,18	10,42	9,37
523-132255	132255	BB	Straight End Launch Jack	8,00	7,16	6,60
523-132289	132289	CC	Strght End Launch Bulkhead Jack	5,57	5,05	4,69
523-132372	132372	DD	Strght End Launch SMT Jack	11,50	10,45	9,58
523-132137	132137	EE	Bulkhead Jack, Front mount	6,06	5,45	5,00
523-132139	132139	FF	Bulkhead Jack, Rear mount	5,80	5,30	4,69

Accessories - Caps

For quantities greater than listed, call for quote.

MOUSER STOCK NO.	Amphenol Part No.	Fig.	Description	Price Each		
				1	10	25
523-202112	202112	-	Male Cap	1,90	1,70	1,57
523-202112-10	202112-10	-	Male Cap with Chain	2,00	1,88	1,70
523-132348	132348	-	Female Cap with chain	5,35	4,88	4,45
523-132331	132331	-	Male Shorting Cap	3,92	3,58	3,26
523-132360	132360	-	Male 50Ω Resistor Cap	2,57	2,35	2,17
523-132360RP	132360RP	-	Male 50Ω Res. Cap, Rev. Polarity	5,59	5,12	4,67
523-132361	132361	-	Female 50Ω Resistor Cap	5,10	4,66	4,30



RF Connectors

Amphenol

AMPHENOL RF Connectors



This product is RoHS compliant.

Amphenol®

SMA STAINLESS STEEL BODY CONNECTORS

Specifications:

- Freq. Range: 0-18GHz Semi-Rigid cable, 0-12.4GHz Flexible cable
- Insulators: PTFE (ASTM D1547)
- Connector Durability: 500 matings
- Impedance: 50Ω

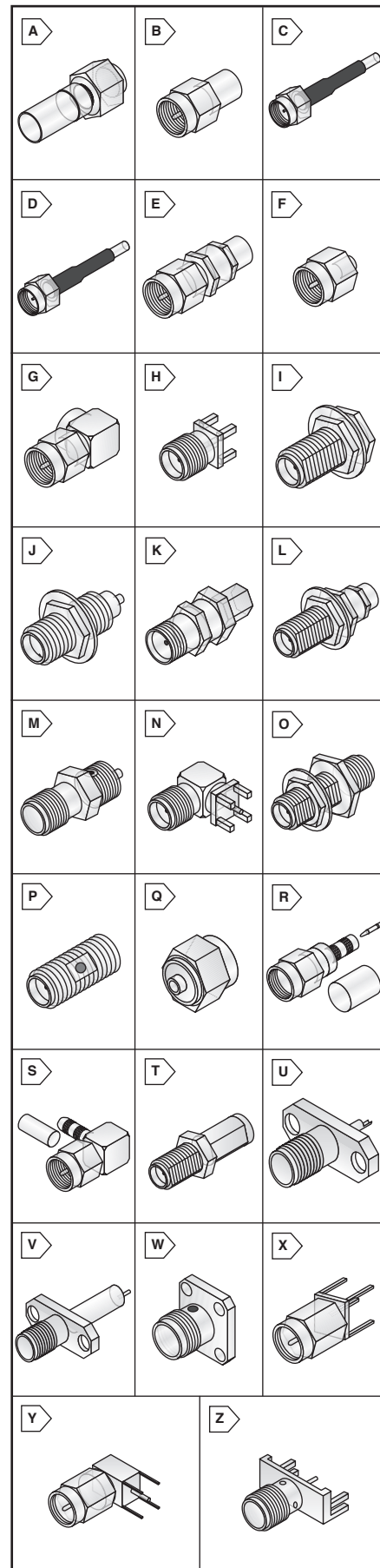
- Center Contact: Gold Plated
- Mating Coupling: 250-36 threaded coupling
- Temperature Range: -65°C to +165°C
- RF Leakage: 100 dB-f minimum @ 3 GHz

Applications:

- Telecom
- Cable assemblies
- PCLAN
- Process controls
- Mil/Aero

For quantities greater than listed, call for quote.

MOUSER STOCK NO.	Amphenol Part No.	Fig.	Cable Attachment Outer-Inner	Body Plating	Cable/ Description	Crimp Tool No.	Price Each		
							1	10	25
Straight Plugs									
523-901-10011	901-10011	A	Crimp-Solder	Passivated	Belden 9258, RG-8X, LMR 240	CTL-1	9,16	8,38	7,77
523-901-9511-1	901-9511-1	B	Solder-Solder	Gold	RG-55, 142, 223, 400	CTL-1	8,06	7,32	6,47
523-901-9511-1SF	901-9511-1SF	B	Crimp-Solder	Passivated	RG-55, 142, 223, 400	CTL-1	7,42	6,03	5,87
523-901-9511-3	901-9511-3	B	Crimp-Solder	Gold	RG-174, 179B, 187A, 188A, 316	CTL-13/9	6,58	6,12	5,72
523-9019513SF	901-9511-3SF	B	Crimp-Solder	Passivated	RG-174, 179B, 187A, 188A, 316	CTL-13/9	5,81	5,00	4,28
523-901-9511-1SFC	901-9511-1SFC	C	Crimp-Solder	Passivated	RG-55B, 58, 141, 142B, 223, 400	CTL-1	13,40	12,90	12,67
523-901-9511-2	901-9511-2	D	Crimp-Solder	Gold	89907, B7806A, RG-141, RG-58, RG-58C	CTL-1	19,72	18,16	16,73
523-901-9511-2SF	901-9511-2SF	D	Crimp-Solder	Gold	89907, B7806A, RG-141, RG-58, RG-58C	CTL-1	14,34	13,11	12,07
523-901-9511-12SF	901-9511-12SF	D	Crimp-Solder	Passivated	RG-174, RG-188A Double Braid 316	CTL-13/9	7,46	6,05	5,74
523-901-9601-1SF	901-9601-1SF	E	Crimp-Solder	Passivated	RG-55, 58, 141, 142, 223, 400	CTL-1	31,29	29,73	28,24
523-901-9601-3	901-9601-3	E	Crimp-Solder	Gold	RG-174, 179, 187, 188A, 316	CTL-13	17,83	16,46	15,34
523-9019723	901-9723	F	Solder-Solder	Gold	085, .087 Semi Rigid	---	5,63	5,12	4,70
523-901-9808	901-9808	F	Solder-Solder	Gold	.141 Semi Rigid	---	5,73	5,44	5,12
Right Angle Plugs									
523-901-9531-1	901-9531-1	G	Crimp-Solder	Gold	RG-55, 142, 223, 400	CTL-1	12,28	10,32	9,55
523-901-9531-2	901-9531-2	G	Solder-Solder	Gold	89907, B7806A, RG-141, RG-58, RG-58C	---	16,10	14,72	13,55
523-901-9531-3	901-9531-3	G	Crimp-Solder	Gold	RG-174, 179, 187, 188A, 316	CTL-9	9,84	8,94	8,01
523-90195313SF	901-9531-3SF	G	Crimp-Solder	Passivated	RG-174, 179, 187, 188A, 316	CTL-9	9,41	8,20	7,25
Straight Jacks									
523-901-144	901-144	H	Blunt Post	Gold	4 Legs, Thru-Hole PCB, .155 Legs & Term.	---	6,90	6,36	5,88
523-901-144-4	901-144-4	H	Blunt Post	Gold	4 Legs, Thru-Hole PCB, .200 Legs & Term. w/Stand-Off Pads	---	15,12	14,67	14,57
523-901-9211	901-9211	I	Solder Cup	Gold	Bulkhead Rear Mount Hex Flange Epoxy Captivated	---	23,71	22,09	20,94
523-9019220	901-9220	J	Blunt Post	Gold	Bulkhead Front or Rear Mount	---	10,69	9,78	9,00
523-9019220SF	901-9220-SF	J	Blunt Post	Passivated	Bulkhead Front or Rear Mount	---	12,61	11,52	10,61
523-901-9602-3SF	901-9602-3SF	K	Crimp-Solder	Passivated	RG-174, 179, 187, 188A 316 Braid Crimp	CTL-13	40,42	34,40	32,14
523-901-9610-3	901-9610-3	L	Crimp-Solder	Gold	RG-174, 179, 187, 188A, 316	CTL-13	15,12	13,92	12,90
523-901-9610-3SF	901-9610-3SF	L	Crimp-Solder	Passivated	RG-174, 179, 187, 188A, 316	CTL-13	15,99	13,09	12,19
523-901-9841	901-9841	M	Post	Gold	Bulkhead Front Mount Hex Flange w/out Nut and Washer	---	9,87	9,20	8,63
Right Angle Jacks									
523-901-143	901-143	N	Blunt Post	Gold	PCB .155 Legs & Term., .025 Stand-Off Pads	---	9,50	8,60	7,48
523-901-143-3	901-143-3	N	Blunt Post	Gold	PCB .155 Solder Dipped Legs & Term., .025 Stand-Off Pads	---	24,02	21,94	20,21
523-901-143-4	901-143-4	N	Blunt Post	Gold	PCB .105 Solder Dipped Legs & Term., .025 Stand-Off Pads	---	21,76	19,88	18,30
In-Series Adapters									
523-901-9209-A	901-9209-A	O	--	Gold	Bulkhead Jack to Jack	---	12,33	10,14	9,61
523-9019209ASF	901-9209-ASF	O	--	Passivated	Bulkhead Jack to Jack	---	11,22	9,60	8,76
523-9019217	901-9217	P	--	Gold	Straight Jack to Jack	---	50,32	45,98	42,45



Amphenol RF Connectors

SMA BRASS BODY CONNECTORS

Lower cost grade which provides approximately 30% cost reduction with 250 mating cycles.

Specifications:

- Freq. Range: 0-18GHz Semi-Rigid cable
- Insulators: PTFE Fluorocarbon
- Impedance: 50Ω
- Center Contact: Gold Plated
- Mating Coupling: 250-36 threaded coupling
- RFX=Commercial

For quantities greater than listed, call for quote.

MOUSER STOCK NO.	Amphenol Part No.	Fig.	Cable Attachment Outer-Inner	Body Plating	Cable/ Description	Crimp Tool No.	Price Each		
							1	10	25
Straight Plugs									
523-901-9867-RFX	901-9867-RFX	Q	Solder-Solder	Gold	.085" S/R, 405 (M17/133)	---	3,08	2,92	2,78
523-901-9870	901-9870	R	Crimp-Solder	Gold	58A/C, 141, 303, LMR 195,7806A	CTL-1	4,36	4,14	3,94
523-901-9871	901-9871	R	Crimp-Solder	Gold	141, 142, 223, 303, 400	CTL-1	6,66	6,32	6,01
523-901-9876-RFX	901-9876-RFX	R	Crimp-Solder	Nickel	58 A/C, 141, 303, LMR 195,7806A	CTL-1	2,34	2,22	2,11
523-901-9877-RFX	901-9877-RFX	R	Crimp-Solder	Nickel	174, 188A, 316, 7805	CTL-9	2,50	2,38	2,26
523-901-9916	901-9916	R	Crimp-Solder	Gold	174, 188A, 316, 7805	CTL-9	4,34	4,12	3,91
Right Angle Plugs									
523-901-9872	901-9872	S	Crimp-Solder	Gold	174, 188A, 316, 7805	CTL-9	7,62	7,24	6,88
523-901-9873	901-9873	S	Crimp-Solder	Gold	58A/C, 141, 303, LMR 195,7806A	CTL-9	10,45	9,92	9,43
523-901-9874	901-9874	S	Crimp-Solder	Gold	141, 142, 223, 303, 400	CTL-1	6,77	6,31	5,68
523-901-9880-RFX	901-9880-RFX	S	Crimp-Solder	Nickel	58A/C, 141, 303, LMR 195,7806A	CTL-1	5,70	5,42	5,15
523-901-9881-RFX	901-9881-RFX	S	Crimp-Solder	Nickel	174, 188A, 316, 7805	CTL-9	4,59	4,36	4,14
Jacks									
523-901-9875	901-9875	T	Crimp-Solder	Gold	174, 188A, 316, 7805	CTL-13	8,85	8,40	7,98
523-901-9879-RFX	901-9879-RFX	T	Crimp-Solder	Nickel	174, 188A, 316, 7805	CTL-13	7,99	7,59	7,21
523-901-9893-RFX	901-9893-RFX	U	Solder Cup	Nickel	2-Hole Panel Receptacle	---	5,66	5,37	5,10
523-901-9891-RFX	901-9891-RFX	V	Blunt Post	Nickel	2-Hole Panel Receptacle	---	6,46	6,13	5,83
523-901-9892-RFX	901-9892-RFX	W	Solder Cup	Nickel	4-Hole Square Panel Flange	---	4,76	4,52	4,30
523-901-9887-RFX	901-9887-RFX	W	Blunt Post	Nickel	4-Hole Square Panel Flange	---	6,28	6,09	5,91
523-901-9889-RFX	901-9889-RFX	I	Solder Cup	Nickel	Bulkhead, Front Mount	---	3,99	3,79	3,60
523-901-9890-RFX	901-9890-RFX	I	Solder Cup	Nickel	Bulkhead, Rear Mount	---	4,50	4,28	4,06
PCB Mount Plugs									
523-901-9895-RFX	901-9895-RFX	X	--	Gold	Vertical, .155" Legs	---	3,38	2,87	2,49
523-901-9894-RFX	901-9894-RFX	Y	--	Gold	Right Angle, .155" Legs	---	7,79	7,40	7,03
PCB Mount Jacks									
523-901-144-8RFX	901-144-8RFX	H	--	Gold	Vertical, .155" Legs	---	2,94	2,79	2,65
523-901-143-6RFX	901-143-6RFX	N	--	Gold	Right Angle, .155" Legs	---	3,78	3,49	3,24
523-901-10003	901-10003	Z	--	Gold	End Launch for .062" Thick PCB	---	15,45	13,10	10,29

AMPHENOL RF Connectors and Tools Amphenol®



This product is RoHS compliant.

SMB RF CONNECTORS

Offers quick connect/disconnect snap on mating, reducing installation time.

- Impedance: 50Ω
- Frequency Range: 0-4GHz
- Center Contacts: Gold Plated
- Crimp Tool: CTL-13
- Insulators: TFE fluorocarbon
- Connector Durability: 500 matings
- Mating: Rapid Snap-on coupling, per MIL-STD-348
- Conforms with MIL-C-39012
- Interface is in compliance w/ MIL STD-348

* Die Cast

For quantities greater than listed, call for quote.

MOUSER STOCK NO.	Amphenol Part No.	Fig.	Cable Attachment Outer-Inner	Plating	Description/ Cable Type	Price Each			
						1	10	25	100
Straight Plugs									
523-903-370P-51S	903-370P-51S	A	Crimp-Solder	Nickel	174, 179, 187, 188, 316, 7805	5,97	5,79	5,62	5,45
523-903-285P51S	903285P51S	A	Crimp-Solder	Gold	174, 179, 187, 188, 316, 7805	8,45	8,02	7,62	7,24
523-903371P51S	903371P51S	A	Crimp-Solder	Nickel	178, 196, (.071" Outer Diameter)	13,00	11,87	10,95	10,13
Right Angle Plugs									
523-903-367P-51A	903-367P-51A	B	Crimp-Solder	Nickel	174, 179, 187, 188, 316, 7805	13,05	12,40	11,78	11,19
523-903-367P-51A2	903-367P-51A2	B	Crimp-Solder	Nickel	174, 179, 187, 188, 316, 7805	5,43	5,16	4,90	4,66
523-903-368P-51A1	903-368P-51A1	B	Crimp-Solder	Nickel	M17/93, 178, 178A, 196	4,84	4,69	4,30	4,19
523-903-369P-51A	903-369P-51A	B	Crimp-Solder	Nickel	M17/152, 315U Dbl. Braid 2x, 188	11,85	11,10	10,17	9,39
523-903-289P51A	903289P51A	B	Crimp-Solder	Gold	174, 179, 187, 188, 316, 7805	9,01	8,32	7,74	7,02
523-903-289P-51A2	903-289P-51A2	B	Crimp-Solder	Gold	174, 179, 187, 188, 316, 7805	3,44	3,15	2,89	2,68
Receptacles									
523-903-415J-51P	903-415J-51P	C	PCB Jack	Gold	Vertical, .155" Legs, .250" Sq. Base	5,09	4,84	4,59	4,36
523-903-406J-51R	903-406J-51R	C	Solder	Gold	Front Mount	6,20	5,89	5,59	5,31
523-903-499J-51P	903-499J-51P	C	PCB Jack	Gold	Vertical Bulkhead, .155" Legs	7,67	6,96	6,46	5,41
523-903-499J-51P2	903-499J-51P2	C	PCB Jack	Gold	Vertical, .155" Legs, .250" Sq. Base	3,44	3,27	3,11	2,95
523-903-373J-51A	903-373J-51A	D	PCB Jack	Gold	Right Angle, .155" Legs, .312" Base	7,28	6,92	6,57	6,24
523-903-413J-51A	903-413J-51A	E	PCB Jack	Gold	Right Angle Bulkhead, .155" Legs	14,57	13,84	13,15	12,49

MINI-UHF CONNECTORS

Designed for use as a coaxial interconnection in cell phones, automotive systems, and similar applications where size, weight, and cost factors are critical.

- Impedance: 50Ω
- Frequency Range: 0-2.5GHz
- Crimp Tool: CTL-5
- Temperature Range: -55° to 85°C (TFE Insulators)
- Voltage Rating: 335 Volts Peak
- Mating: 3/8-24 Threaded Coupling
- Teflon Insulators

For quantities greater than listed, call for quote.

MOUSER STOCK NO.	Amphenol Part No.	Fig.	Cable Attachment Outer-Inner	Plating	Description/ Cable Type	Price Each			
						1	10	25	100
Plug									
523-81-114-RFX	81-114-RFX	F	Crimp-Crimp	Nickel/Gold	RG58, 141, 303, LMR 195, Belden 9258	3,74	3,55	3,37	3,20
523-81-115N-1000	81-115N-1000	G	Crimp-Crimp	Nickel/Gold	58, 58A, 58C, 141, 303, LMR 195, Belden 7806A	2,63	2,46	2,25	2,00
Receptacles									
523-81-116	81-116	H	Crimp-Crimp	Nickel/Tin-Lead	58, 58A, 58C, 141, 303, LMR 195, Belden 7806A	7,43	7,28	7,13	6,99
523-81-120	81-120	I	Solder Cup	Nickel/Gold	Straight Rear Mount Bulkhead .125" Max Panel Thickness	2,82	2,68	2,54	2,42

TWIN-AXIAL WEATHER PROOF CONNECTORS (TWINAX)

Due to improved shielding characteristics, these connectors are used in balanced low level and high sensitivity circuits. Keyway polarization ensures system integrity and prevents signals from being mixed. 5000 V peak with Teflon insulators allows for high temperature applications.

- Frequency Range: 0-200 MHz
- Impedance: 78Ω and 95Ω Cables
- Body Plating: Nickel
- Weatherproof: When mated
- Large thread designed for rugged use
- Contact Plating: Gold

For quantities greater than listed, call for quote.

MOUSER STOCK NO.	Amphenol Part No.	Fig.	Cable Attachment Outer-Inner	Description/ Cable Type	Price Each				
					1	10	25	100	
Plugs									
523-82-5589-RFX	82-5589-RFX	J	Clamp-Solder	Belden 9207, IBM 7362211, Times Types	5,28	4,85	4,14	3,93	
Receptacles									
523-82-5590-RFX	82-5590-RFX	K	Solder Cup	Bulkhead, Front Mount, .295" Panel	9,40	8,93	8,48	8,06	

CRIMP TOOLS WITH DIE SETS

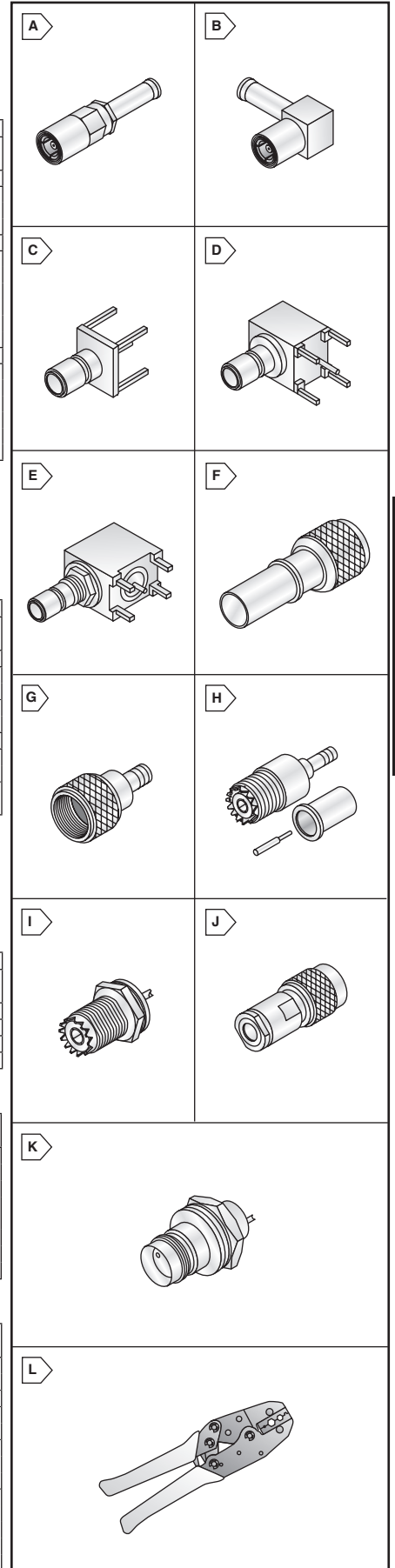
For quantities greater than listed, call for quote.

MOUSER STOCK NO.	Amphenol Part No.	Fig.	Cable Groups	Die Cavities	Price Each
523-47-10070	47-10070	L	RG 55/ 58/ 59/ 62/ 141/ 142/ 223/ 303/ 400	.255 / .213 / .068	83,53
523-47-10180	47-10180	L	5 Cavity RG 58/ 59 N, BNC, TNC, SMA	.255 / .213/ .100/ .068/ .052	91,20
523-47-10090	47-10090	L	RG 8/ 11/ 213/ 214	.429 / .100/ .08	87,20
523-47-10160	47-10160	L	.151 HEX 316/ 179/ Double Braid	.151 / .178 / .213	87,19
523-47-10110	47-10110	L	RG6/ 59/ B8281	.324 / .255 / .068 / .042	87,20
523-47-10210	47-10210	L	LMR 400/ B9913/ B9914/ B7810	.429/ .118	87,20
523-47-10270	47-10270	L	BNC/ TNC, .042 Center Contact, .068 Center Contact	.178/ .128, .068, .042	87,20

CTL CRIMP TOOLS

For quantities greater than listed, call for quote.

MOUSER STOCK NO.	Amphenol Part No.	Fig.	Connector Types	Cable Type	Price Each
523-CTL-2	CTL-2	L	BNC, TNC 3-Piece	6, Plenum 58, 174, 179, 187, 188, 316, Belden 8281	58,60
523-CTL3	CTL3	L	N 3-Piece	8, 11, 55, 58, 141, 142, 149, 213, 214, 223, 225, 303, 393, 400, Ethernet Cables	58,60
523-CTL4	CTL4	L	Twinax Center Contacts	Belden 8227, 9207, 89207, IBM 7362211 Twinax Cable	68,13
523-CTL5	CTL5	L	BNC, TNC, Mini-UHF, N	55, 58, 59, 62, 140, 141, 142, 210, 223, 303, 400, Belden 9258, 9259, 9907, 89907, Plenum 59 and 62	60,30
523-CTL-6	CTL-6	L	BNC, TNC 3-Piece	59, 62, 174, Plenum 59, Plenum 62	91,96
523-CTL-9	CTL-9	L	SMA	174, 188, 180, 360	112,07
523-CTL-11	CTL-11	L	Type N 3-Piece	Belden 9913, 9914, LMR 400, 7810A	196,63
523-CTL13	CTL13	L	MMCX, SMA, SMB	174, 178, 188, 196, 316, RD-316	142,80
523-CTL-15	CTL-15	L	MMCX, 75 ohm	Belden 735A, 821B	264,84



RF Connectors Amphenol

MCX CONNECTORS

Connectors conform to the European CE CC 22220 spec. The MCX uses identical inner contact and insulator dimensions as the SMB yet is 30% smaller.

- Impedance: 50Ω
- Frequency Range: 0-6GHz
- Temperature Range: -65° to 165°C
- Connector Durability: 500 matings
- Mating: Quick snap-on coupling
- Contact Plating: Gold

Straight Plugs

For quantities greater than listed, call for quote.

MOUSER STOCK NO.	Amphenol Part No.	Fig.	Cable Attachment Outer-Inner	Body Plating	RG Cable/ Description	Crimp Tool No.	Price Each		
							1	10	25
523-919-120P-51SX	919-120P-51SX	A	Solder-Solder	Gold	.085" Semi Rigid, 405	-	7,83	7,44	7,07
523-919-121P-51SX	919-121P-51SX	B	Crimp-Solder	Gold	178, 196, .071" Outer Diameter	CTL-13	5,94	5,64	5,36
523-919-101P-51SX	919-101P-51SX	B	Crimp-Solder	Gold	174, 188A, 316, Belden 7805	CTL-13	6,35	6,03	5,73
523-919-101P-51SIX	919-101P-51SIX	B	Crimp-Solder	Nickel	174, 188A, 316, Belden 7805	CTL-13	5,95	5,65	5,37

Right Angle Plugs

For quantities greater than listed, call for quote.

MOUSER STOCK NO.	Amphenol Part No.	Fig.	Cable Attachment Outer-Inner	Body Plating	RG Cable/ Description	Crimp Tool No.	Price Each		
							1	10	25
523-919-114J-51AX	919-114J-51AX	C	Solder-Solder	Gold	.085" Semi Rigid, 405	-	8,10	7,40	6,82
523-919-103P-51AX	919-103P-51AX	C	Solder-Solder	Gold	402, .141" Semi-Rigid	-	9,35	8,55	7,86
523-919-104P-51AX	919-104P-51AX	D	Crimp-Solder	Gold	174, 188A, 316, Belden 7805	CTL-13	6,13	5,82	5,53
523-919-104P-51A1X	919-104P-51A1X	D	Crimp-Solder	Nickel	174, 188A, 316, Belden 7805	CTL-13	6,37	6,06	5,75
523-919-122P-51AX	919-122P-51AX	D	Crimp-Solder	Gold	178, 196, .071" Outer Diameter	CTL-13	9,32	8,52	7,85

Jacks

For quantities greater than listed, call for quote.

MOUSER STOCK NO.	Amphenol Part No.	Fig.	Cable Attachment Outer-Inner	Body Plating	RG Cable/ Description	Crimp Tool No.	Price Each		
							1	10	25
523-919-114J-51SX	919-114J-51SX	E	Solder-Solder	Gold	.085" Semi Rigid, 405	-	6,48	5,92	5,46
523-919-107J-51SX	919-107J-51SX	F	Crimp-Solder	Gold	174, 188A, 316, Belden 7805	CTL-13	5,44	3,95	3,70
523-919-107J-51S1X	919-107J-51S1X	F	Crimp-Solder	Nickel	174, 188A, 316, Belden 7805	CTL-13	4,52	4,14	3,81
523-919-109J-51PX	919-109J-51PX	G	PCB Mount	Gold	Vertical, .155" Legs	-	4,82	4,58	4,35
523-919-119J-51AX	919-119J-51AX	H	PCB Mount	Gold	Right Angle, .155" Legs	-	5,43	4,89	4,44
523-919-118J-51P	919-118J-51P	I	Vertical SMT	Gold	Surface Mount, .232" x .232" Base	-	7,89	7,50	7,12

MICROMATE™ MMCX CONNECTORS

- Impedance: 50Ω
- Frequency Range: 0-6GHz
- Contact Plating: Gold
- Temperature Range: -40° to 90°C
- Connector Durability: 500 matings
- Mating: Quick snap-on coupling
- Conforms to European CFCC 22000 specifications

Straight Plugs

For quantities greater than listed, call for quote.

MOUSER STOCK NO.	Amphenol Part No.	Fig.	Cable Attachment Outer-Inner	Body Plating	RG Cable/ Description	Crimp Tool No.	Price Each		
							1	10	25
523-908-41400	908-41400	J	Solder-Solder	Gold	.085" Semi Rigid, 405	-	21,72	19,84	18,27
523-908-41200	908-41200	K	Crimp-Solder	Gold	178, 196, .071" Outer Diameter	CTL-13	8,81	8,37	7,95
523-908-41300	908-41300	K	Crimp-Solder	Gold	174, 188A, 316, Belden 7805	CTL-13	7,70	7,32	6,95
523-908-21100	908-21100	L	End Launch	Gold	PCB, Machined Construction	-	10,25	9,73	9,25

Right Angle Plugs

For quantities greater than listed, call for quote.

MOUSER STOCK NO.	Amphenol Part No.	Fig.	Cable Attachment Outer-Inner	Body Plating	RG Cable/ Description	Crimp Tool No.	Price Each		
							1	10	25
523-90843200	908-43200	M	Crimp-Solder	Gold	178, 196, .071" Outer Diameter	CTL-13	8,63	8,20	7,79
523-908-43300	908-43300	M	Crimp-Solder	Gold	174, 188A, 316, Belden 7805	CTL-13	5,49	5,38	5,29
523-908-43500	908-43500	N	Crimp-Solder	Gold	316/U, 174, 188A	CTL-13	8,80	8,36	7,94

Jacks

For quantities greater than listed, call for quote.

MOUSER STOCK NO.	Amphenol Part No.	Fig.	Cable Attachment Outer-Inner	Body Plating	RG Cable/ Description	Crimp Tool No.	Price Each		
							1	10	25
523-908-22106	908-22106	O	PCB Mount	Gold	Vertical, Machined Construction	-	12,99	12,34	11,72
523-908-22100	908-22100	P	PCB Mount	Gold	Edgecard, Thru-Hole, Straight	-	7,06	6,46	5,94
523-908-22101	908-22101	Q	Vertical SMT	Gold	Surface Mount, .170" x .170" Base	-	4,15	3,94	3,74
523-908-24100	908-24100	R	PCB Mount	Gold	Right Angle, .020" Mounting Posts	-	12,64	12,00	11,40

MHV HIGH VOLTAGE WEATHER PROOF CONNECTORS

- Body Plating: Brass
- Contact Plating: Brass, unless noted by † Beryllium

Plugs

For quantities greater than listed, call for quote.

MOUSER STOCK NO.	Amphenol Part No.	Fig.	Cable Attachment Outer-Inner	MIL Type	RG Cable/ Description	Price Each		
						1	10	25
523-29100	29100	S	Clamp	---	55, 58, 141, 142	11,41	10,84	10,30
523-28000	28000	S	Clamp	UG-932	59, 62, 71, 140, 210	8,53	8,27	8,02

Receptacles

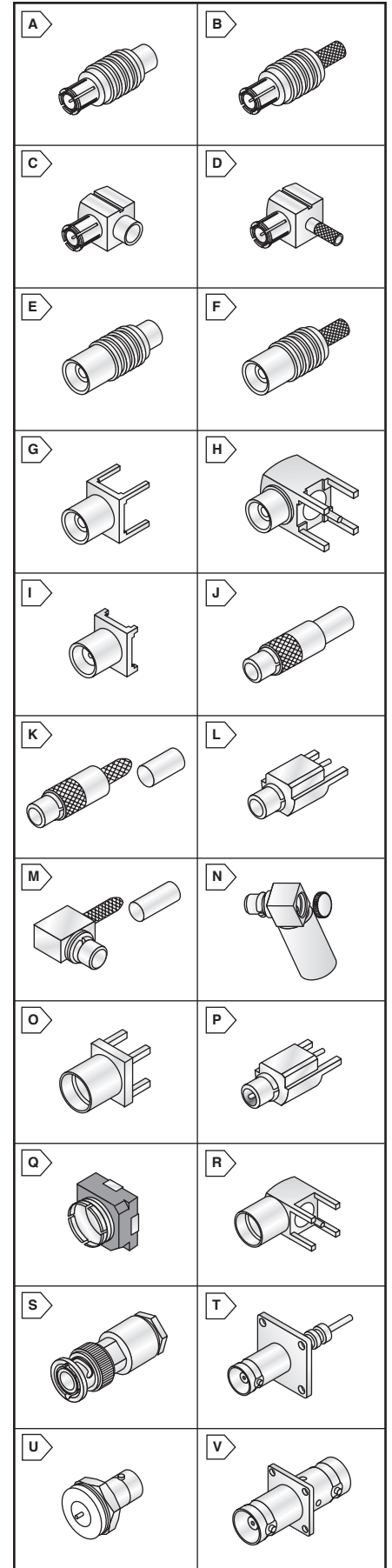
For quantities greater than listed, call for quote.

MOUSER STOCK NO.	Amphenol Part No.	Fig.	Cable Attachment Outer-Inner	MIL Type	RG Cable/ Description	Price Each		
						1	10	25
† 523-27000	27000	T	Solder Cup	UG-931	4-Hole Flange Rear Mount	9,76	9,28	8,81
† 523-27025	27025	U	Turret Contact	---	Bulkhead Receptacle	23,62	22,09	20,11
† 523-27075	27075	-	Clamp	---	59, 62, 71, 140, 210	28,20	26,79	25,45

Adapter

For quantities greater than listed, call for quote.

MOUSER STOCK NO.	Amphenol Part No.	Fig.	Cable Attachment Outer-Inner	MIL Type	RG Cable/ Description	Price Each		
						1	10	25
† 523-12650	12650	V	Jack to Jack	---	Square Flange Feed Through	69,96	66,46	63,14



AMPHENOL N and TNC Series RF Connectors Amphenol®

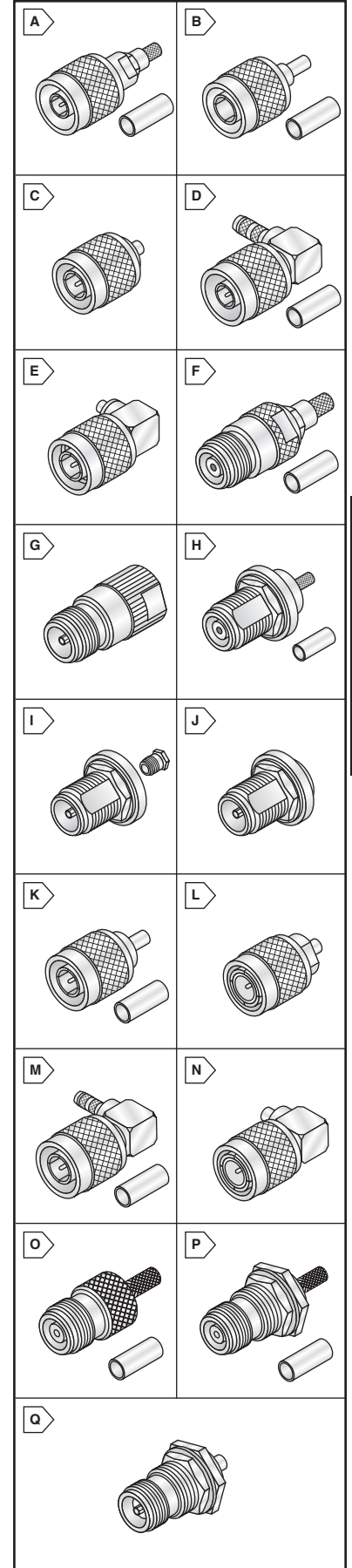
RoHS Compliant This product is RoHS compliant.

N SERIES FOR LMR AND SEMI-RIGID CABLES

- Impedance: 50Ω
- Finish: Nickel
- Frequency Range: 0-11GHz
- Body Material: Brass
- Center Contact: 3μ" Gold
- Insulation: Teflon

For quantities greater than listed, call for quote.

MOUSER STOCK NO.	Amphenol Part No.	Fig.	Description	Cable	Crimp Tool	Price Each			
						1	10	25	100
523-172128	172128	A	Straight Crimp Plug	LMR 100/ RG316/U	47-10150	6,60	6,06	5,59	5,10
523-172171	172171	A	Straight Crimp Plug	316 Double Braid	47-10150	8,80	8,04	7,12	6,06
523-172142	172142	A	Straight Crimp Plug	RG 223/142/400	47-10180	4,49	4,10	3,73	3,35
523-172100	172100	A	Straight Crimp Plug	LMR 195/RG58/U	47-10180	4,62	4,16	3,82	3,52
523-172214	172214	A	Straight Crimp Plug	LMR 200	47-10180	5,14	4,70	4,30	3,91
523-172135	172135	A	Straight Crimp Plug	LMR 240/8X	47-10180	5,26	4,78	4,38	4,06
523-172206	172206	A	Straight Crimp Plug	LMR 600	.610 Hex	18,65	17,05	15,10	13,85
523-172102	172102	A	Straight Crimp Plug	RG 8, 213	47-10090	5,22	4,76	4,27	3,95
523-172166	172166	A	Straight Crimp Plug	RG 214	47-10090	6,20	5,63	5,15	4,46
523-172101	172101	A	Straight Crimp Plug	RG 59	47-10180	6,12	5,47	5,04	4,67
523-172102H243	172102H243	A	Straight Crimp Plug	LMR 400/B9913	47-10210	4,69	4,26	3,91	3,60
523-172113H243	172113H243	B	Straight Clamp Plug	LMR 400/B9913	-	7,75	7,06	6,28	5,76
523-172133	172133	C	Straight Solder Plug	.141 Semi-Rigid	-	7,14	6,56	5,96	5,11
523-172211	172211	C	Straight Solder Plug	.085 Semi-Rigid	-	6,43	5,86	5,21	4,99
523-172139	172139	C	Straight Solder Plug	.250 Semi-Rigid	-	6,65	6,06	5,38	4,91
523-172180	172180	D	Right Angle Crimp Plug	LMR 100/ RG316/U	47-10150	11,42	10,33	9,42	8,56
523-172177	172177	D	Right Angle Crimp Plug	LMR 195/RG58/U	47-10180	10,21	9,34	8,59	7,96
523-172178	172178	D	Right Angle Crimp Plug	RG 223/142/400	47-10070	12,34	11,16	10,16	9,25
523-172176	172176	D	Right Angle Crimp Plug	RG 8/213	47-10210	11,94	10,82	9,88	8,80
523-172215	172215	D	Right Angle Crimp Plug	LMR 200	47-10070	20,66	18,94	17,39	16,14
523-172219	172219	D	Right Angle Crimp Plug	LMR 240/8X	47-10180	10,62	9,58	8,77	8,11
523-172176	172176	D	Right Angle Crimp Plug	LMR 400/B9913	47-10210	11,94	10,82	9,88	8,80
523-172235	172235	E	Right Angle Solder Plug	.085 Semi-Rigid	-	13,34	12,14	10,80	10,02
523-172266	172266	E	Right Angle Solder Plug	.250 Semi-Rigid	-	13,42	12,20	10,86	10,07
523-172204	172204	F	Straight Crimp Jack	LMR 100/ RG316/U	47-10150	8,16	7,46	6,59	6,01
523-172103	172103	F	Straight Crimp Jack	LMR 195/RG58/U	47-10180	5,11	4,67	4,26	3,88
523-172216	172216	F	Straight Crimp Jack	LMR 200	47-10180	7,40	6,79	6,28	5,81
523-172147	172147	F	Straight Crimp Jack	RG55/142/223/400	47-10180	7,20	6,82	6,04	5,45
523-172148	172148	F	Straight Crimp Jack	LMR 240/8X	47-10180	5,15	4,70	4,30	3,74
523-172203	172203	F	Straight Crimp Jack	LMR 400/B9913	47-10210	5,04	4,55	3,78	3,40
523-172238	172238	G	Straight Solder Jack	.141 Semi-Rigid	-	5,46	4,97	4,42	4,32
523-172237	172237	G	Straight Solder Jack	.085 Semi-Rigid	-	5,46	4,97	4,42	4,09
523-172129	172129	H	Bulkhead Crimp Jack	LMR 100/ RG316/U	47-10150	6,98	6,32	5,82	5,35
523-172132	172132	H	Bulkhead Crimp Jack	RG 223/142	47-10180	7,70	6,97	6,36	5,77
523-172217	172217	H	Bulkhead Crimp Jack	LMR 200	47-10180	7,42	6,78	5,96	5,62
523-172108	172108	H	Bulkhead Crimp Jack	RG 8/213	47-10180	8,40	7,69	6,80	6,20
523-172106	172106	H	Bulkhead Crimp Jack	LMR 195/RG58/U	47-10180	8,02	7,49	6,95	6,04
523-172149	172149	H	Bulkhead Crimp Jack	LMR 240/8X	47-10180	7,81	7,08	6,49	5,99
523-172220	172220	H	Bulkhead Crimp Jack	LMR 400/B9913	47-10210	7,88	7,21	6,60	6,11
523-172264	172264	H	Bulkhead Crimp Jack	LMR 600	.610 Hex	16,98	15,48	14,24	13,36
523-172143	172143	I	Bulkhead Clamp Jack	LMR 100/ RG316/U	-	10,81	9,90	8,92	7,36
523-172137	172137	J	Bulkhead Solder Jack	.141 Semi-Rigid	-	8,83	7,96	7,14	6,58
523-172138	172138	J	Bulkhead Solder Jack	.085 Semi-Rigid	-	9,59	8,59	7,90	7,28
523-172153	172153	J	Bulkhead Solder Jack	.250 Semi-Rigid	-	10,42	9,54	8,82	7,33



RF Connectors Amphenol

TNC SERIES FOR LMR AND SEMI-RIGID CABLES

- Impedance: 50Ω
- Body Material: Brass
- Insulation: Delrin (or Teflon *)
- 50Ω & 75Ω intermateable
- Frequency Range: 0-11 GHz
- Finish: Nickel
- Center Contact: 3μ" Gold

For quantities greater than listed, call for quote.

MOUSER STOCK NO.	Amphenol Part No.	Fig.	Description	Cable	Crimp Tool	Price Each			
						1	10	25	100
523-122116	122116	K	Straight Crimp Plug	LMR 100/ RG316/U	47-10070	2,53	2,23	1,91	1,85
523-122117	122117	K	Straight Crimp Plug	RG179/187/139221	47-10150	7,01	6,38	5,68	5,27
523-122108	122108	K	Straight Crimp Plug	LMR 100/ RG58/U	47-10070	1,75	1,57	1,43	1,32
523-122410	122410	K	Straight Crimp Plug	LMR 200	47-10070	2,11	1,93	2,11	1,58
523-122408	122408	K	Straight Crimp Plug	LMR 240/8X	47-10070	2,42	2,20	2,06	1,97
523-122372	122372	K	Straight Crimp Plug	RG55/U/ 142A/U/ 223/U/ 400/U	47-10070	1,99	1,80	1,64	1,51
* 523-122393	122393	K	Straight Crimp Plug	LMR 400/B9913	47-10210	6,46	5,86	5,36	4,97
* 523-122386	122386	L	Straight Solder Plug	.141 Semi-Rigid	-	4,33	3,80	3,50	3,18
* 523-122387	122387	L	Straight Solder Plug	.085 Semi-Rigid	-	18,06	16,49	13,86	12,70
* 523-122484	122484	L	Straight Solder Plug	.250 Semi-Rigid	-	10,22	9,31	8,50	7,70
523-122148	122148	M	Right Angle Crimp/Solder Plug	LMR 100/ RG316/U	47-10150	4,69	4,30	3,68	3,42
523-122140	122140	M	Right Angle Crimp/Solder Plug	LMR 100/ RG58/U	47-10070	3,65	3,48	3,18	2,99
* 523-122414	122414	M	Right Angle Crimp/Solder Plug	LMR 240/8X	47-10070	7,00	6,35	5,80	5,20
523-122416	122416	M	Right Angle Crimp/Solder Plug	LMR 400/B9913	47-10210	7,73	7,03	6,41	5,33
* 523-122422	122422	N	Right Angle Solder Plug	.141 Semi-Rigid	-	8,05	7,37	5,82	5,72
* 523-122420	122420	N	Right Angle Solder Plug	.085 Semi-Rigid	-	6,49	5,90	5,14	4,88
523-122138	122138	O	Straight Crimp Jack	LMR 100/ RG316/U	47-10150	3,16	2,89	2,82	2,40
* 523-122122	122122	O	Straight Crimp Jack	LMR 100/ RG58/U	47-10070	2,75	2,48	2,28	2,11
523-122409	122409	O	Straight Crimp Jack	LMR 240/8X	47-10070	5,42	4,97	4,39	4,07
* 523-122392	122392	O	Straight Crimp Jack	LMR 400/B9913	47-10210	5,56	5,36	4,67	4,39
523-122192	122192	P	Bulkhead Crimp Jack	LMR 100/ RG316/U	47-10150	3,83	3,43	3,13	2,89
* 523-122160	122160	P	Bulkhead Crimp Jack	LMR 100/ RG58/U	47-10070	4,49	4,12	3,55	3,35
* 523-122415	122415	P	Bulkhead Crimp Jack	LMR 240/8X	47-10070	5,65	5,17	4,60	4,26
* 523-122401	122401	Q	Bulkhead Solder Jack	.141 Semi-Rigid	-	4,70	4,30	3,50	3,30
* 523-122400	122400	Q	Bulkhead Solder Jack	.085 Semi-Rigid	-	4,86	4,43	3,94	3,65
* 523-122489	122489	Q	Bulkhead Solder Jack	.250 Semi-Rigid	-	13,38	12,17	10,84	10,04

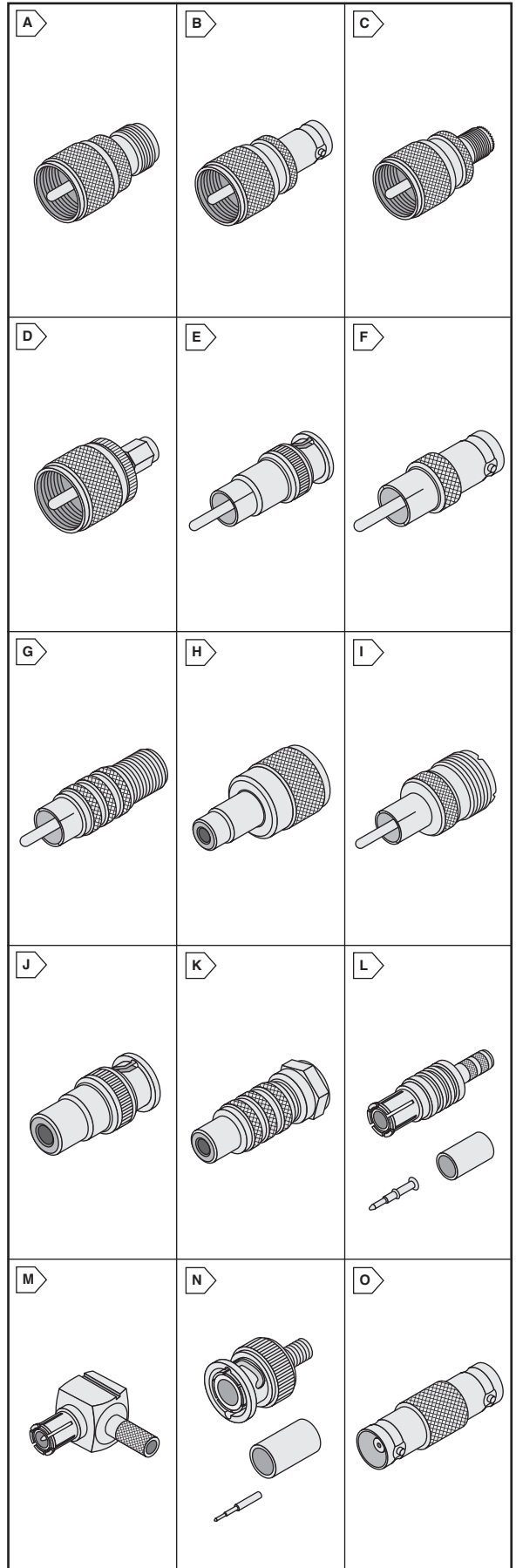
BETWEEN SERIES ADAPTERS

Between series adapters solve a variety of connection problems where connectors of different types could ordinarily not be mated together. Each adapter has a different type coupling at each end allowing for a wide variety of interconnections to fit almost all interconnection situations. All adapters are constructed of machined brass and are nickel plated.

- RoHS Compliant per Bomar documentation

For quantities greater than listed, call for quote.

MOUSER STOCK NO.	Bomar Part No.	Fig.	Description	Price Each			
				1	10	25	50
Type UHF Adapters							
678-7311505	7311505	A	UHF Plug to N Jack	11,57	10,89	10,17	9,53
678-7313505	7313505	B	UHF Plug to BNC Jack	8,98	8,30	7,94	6,70
678-7316505	7316505	C	UHF Plug to Mini-UHF Jack	10,54	9,92	9,60	8,68
678-7309505	7309505	D	UHF Plug to SMA Plug	5,50	4,99	4,68	4,22
Type RCA Adapters							
678-R0842	R0842	E	RCA Plug to BNC Plug	3,75	3,42	3,29	2,89
678-R0844	R0844	F	RCA Plug to BNC Jack	3,28	2,99	2,88	2,52
678-R0849	R0849	G	RCA Plug to F Jack	2,28	2,07	2,00	1,80
678-R0822	R0822	H	RCA Plug to UHF Jack	5,63	5,13	4,95	4,35
678-R0811	R0811	I	RCA Jack to UHF Plug	2,68	2,66	2,65	2,65
678-R0843	R0843	J	RCA Jack to BNC Plug	2,15	1,95	1,88	1,73
678-R0851	R0851	K	RCA Jack to F Plug	2,40	2,19	2,10	1,89



RF ADAPTER KITS

- RoHS Compliant per Bomar documentation

For quantities greater than listed, call for quote.

MOUSER STOCK NO.	Bomar Part No.	Description	Price Each	
			1	10
Type UHF Adapters				
678-ADPT1	ADPT1	2 Male and Female of each: BNC, TNC, N, Mini-UHF, UHF, SMA, and 6 Universal adapters	124,28	124,28
Broadcast Grade Kit-40 pcs				
678-ADPT2	ADPT2	2 Male and Female of each: BNC, TNC, N, Mini-UHF, UHF, SMA, F, RCA, and 8 Universal adapters	211,98	211,98
7/16 Kit-8 pc				
678-ADPT3PA	ADPT3PA	1 Male and Female of each: 7/16 to N, N to N, and 7/16 to 7/16	237,36	223,32
Antenna Kit-42 pcs				
678-ADPT4RP	ADPT4RP	2 Male and Female of each: N, BNC, UHF, TNC, TNC-RT, TNC-RP, SMA, SMA-RP, and 8 Universal adapters	228,52	-

MCX AND MMCX CABLE CONNECTORS

- Brass body parts
- Plating: Gold over Nickel
- RoHS Compliant per Bomar documentation

For quantities greater than listed, call for quote.

MOUSER STOCK NO.	Bomar Part No.	Fig.	Imp. Ω	Description	RG Cable Type	Price Each			
						1	10	25	100
678-1210A204M	1210A204M	L	50	Straight Cable Plug	174/U	3,03	2,75	2,64	2,51
678-1213A204M	1213A204M	M	50	Right Angle Plug	174/U	3,04	2,76	2,66	2,51

BNC COAXIAL CRIMP PLUGS

- High quality machined construction
- Semi-captive contacts that "click" into place assuring perfect installation
- RoHS Compliant per Bomar documentation

For quantities greater than listed, call for quote.

MOUSER STOCK NO.	Bomar Part No.	Fig.	Imp. Ω	Description	RG Cable Type	Price Each			
						1	10	25	100
678-310A205F	310A205F	N	50	3 piece, dual crimp	58/U, 58C/U, 141	2,69	2,45	2,37	2,25
678-310A205G	310A205G	N	50	3 piece, dual crimp	59, 62, 210	2,05	1,86	1,80	1,65
678-310A205MV	310A205MV	N	50	3 piece, dual crimp	174, 179, 196	2,58	2,35	2,33	2,07
678-310A205P	310A205P	N	50	3 piece, dual crimp	223	2,62	2,38	2,23	2,10
678-310B205MV	310B205MV	N	75	3 piece, dual crimp	174, 178, 196	2,94	2,59	2,50	2,31
678-332A705	332A705	O	75	Inline Splice Adapter	-----	2,99	2,71	2,62	2,31
678-332A505	332A505	O	50	Inline Splice Adapter	-----	3,51	3,19	3,08	2,83

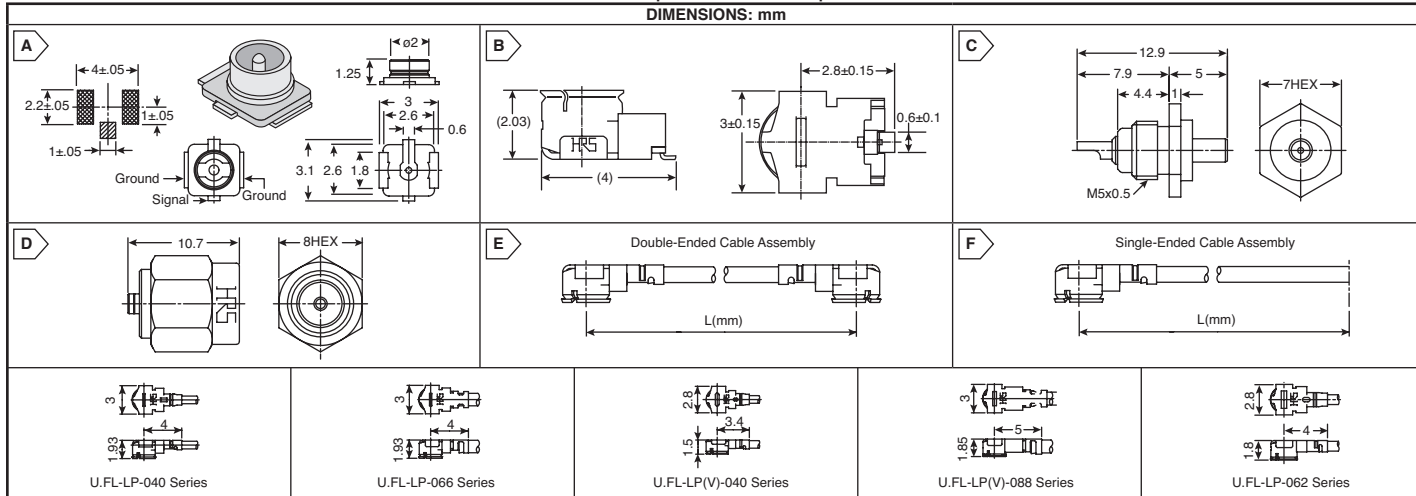
HIROSE Coaxial Connectors



HIROSE ELECTRIC CO., LTD.

RoHS Compliant This product is RoHS compliant.

DIMENSIONS: mm



U.FL SERIES

Receptacles

For quantities greater than listed, call for quote.

MOUSER STOCK NO.	Hirose Part No.	Fig.	Contact Gender	Contact Plating	Body Plating	Termination Type	Packaging	Price Each			
								1	10	50	100
798-U.FL-R-SMT01	U.FL-R-SMT(01)	A	Male	Gold	Silver	SMT	Loose	1,34	1,09	0,891	0,794
798-U.FL-R-SMT10	U.FL-R-SMT(10)	A	Male	Gold	Silver	SMT	Reel	2,11	1,72	1,39	1,25

Plugs



For quantities greater than listed, call for quote.

MOUSER STOCK NO.	Hirose Part No.	Fig.	Contact Gender	Contact Plating	Body Plating	Termination Type	Packaging	Price Each			
								1	10	50	100
798-U.FLPR-SMT2.5110	U.FL-PR-SMT-2.5-1(10)	B	Female	Bronze	Gold	SMT	Reel	3,42	2,83	2,65	2,12

Converter Adapters

For quantities greater than listed, call for quote.

MOUSER STOCK NO.	Hirose Part No.	Fig.	Adapter Type	Contact Plating	Body Plating	Packaging	Price Each			
							1	10	50	100
798-U.FL-R-1	U.FL-R-1	C	Receptacle to Inspection	Gold	Silver	Loose	16,95	16,38	15,25	14,69
798-HRMP-U.FLJ40	HRMP-U.FLJ(40)	D	U.FL Jack/SMA Plug	Gold	Silver	Loose	14,48	13,99	13,03	12,55

Cable Assemblies

For quantities greater than listed, call for quote.

MOUSER STOCK NO.	Hirose Part No.	Fig.	Cable Length (mm)	Cable Type	Cable Diameter (mm)	Mated Height (mm)	Shield	Price Each				
								1	10	50	100	
Plug to Plug (Double-Ended) Cable Assembly - White - Low Profile												
798-U.FL2LPV04N1A100	U.FL-2LP(V)-04N1-A-(100)	E	100	04	0.81	1.9	Single	5,62	4,75	4,00	3,56	
798-U.FL2LPV04N1A200	U.FL-2LP(V)-04N1-A-(200)	E	200	04	0.81	1.9	Single	5,82	4,92	4,13	3,69	
798-U.FL2LPV04N1A500	U.FL-2LP(V)-04N1-A-(500)	E	500	04	0.81	1.9	Single	6,58	5,57	4,68	4,17	
Plug (Single-Ended) Cable Assembly - White												
798-U.FLLP04N1A200	U.FL-LP-04N1-A-(200)	F	200	04	0.81	2.4	Single	5,70	4,54	3,63	3,22	
Plug to Plug (Double-Ended) Cable Assembly - White												
798-U.FL2LP04N1A70	U.FL-2LP-04N1-A-(70)	E	70	04	0.81	2.4	Single	6,20	5,12	4,27	3,84	
798-U.FL2LP04N1A100	U.FL-2LP-04N1-A-(100)	E	100	04	0.81	2.4	Single	5,62	4,75	4,00	3,56	
798-U.FL2LP04N1A200	U.FL-2LP-04N1-A-(200)	E	200	04	0.81	2.4	Single	5,82	4,92	4,13	3,69	
798-U.FL2LP04N1A500	U.FL-2LP-04N1-A-(500)	E	500	04	0.81	2.4	Single	6,58	5,57	4,68	4,17	
798-U.FL2LP04N1A1000	U.FL-2LP-04N1-A-(1000)	E	1000	04	0.81	2.4	Single	7,00	6,09	5,48	4,87	
Plug to Plug (Double-Ended) Cable Assembly - Gray												
798-U.FL2LP066J1A100	U.FL-2LP-066J1-A-(100)	E	100	066	1.32	2.4	Double	5,70	4,83	4,05	3,61	
798-U.FL2LP066J1A200	U.FL-2LP-066J1-A-(200)	E	200	066	1.32	2.4	Double	5,00	4,18	3,73	3,10	
798-U.FL2LP066J1A500	U.FL-2LP-066J1-A-(500)	E	500	066	1.32	2.4	Double	7,14	6,04	5,07	4,52	
798-U.FL2LP066J1A1000	U.FL-2LP-066J1-A-(1000)	E	1000	066	1.32	2.4	Double	7,95	6,91	6,21	5,53	
798-U.FL2LP068N1A100	U.FL-2LP-068N1-A-(100)	E	100	068	1.13	2.4	Single	5,70	4,83	4,05	3,61	
798-U.FL2LP068N1A200	U.FL-2LP-068N1-A-(200)	E	200	068	1.13	2.4	Single	5,86	4,73	3,71	3,09	
798-U.FL2LP068N1A500	U.FL-2LP-068N1-A-(500)	E	500	068	1.13	2.4	Single	5,87	4,93	4,39	3,65	
798-U.FL2LP068N1A1000	U.FL-2LP-068N1-A-(1000)	E	1000	068	1.13	2.4	Single	6,80	6,12	5,45	4,54	
798-U.FL2LP088K1TA60	U.FL-2LP-088K1T-A-(60)	E	60	088	1.37	2.4	Single	6,20	5,12	4,27	3,84	
798-U.FL2LP088K1TA100	U.FL-2LP-088K1T-A-(100)	E	100	088	1.37	2.4	Single	5,66	4,79	4,02	3,59	
798-U.FL2LP088K1TA200	U.FL-2LP-088K1T-A-(200)	E	200	088	1.37	2.4	Single	5,86	4,95	4,16	3,71	
798-U.FL2LP088K1TA500	U.FL-2LP-088K1T-A-(500)	E	500	088	1.37	2.4	Single	6,73	5,69	4,79	4,27	
Plug to Plug (Double-Ended) Cable Assembly - Black - Low Profile												
798-U.FL2LPV04N2A500	U.FL-2LP(V)-04N2-A-(500)	E	500	04	0.81	1.9	Single	6,67	5,64	4,74	4,23	
Plug to Plug (Double-Ended) Cable Assembly - Black												
798-U.FL2LP04N2A100	U.FL-2LP-04N2-A-(100)	E	100	04	0.81	2.4	Single	5,62	4,75	4,00	3,56	
798-U.FL2LP04N2A200	U.FL-2LP-04N2-A-(200)	E	200	04	0.81	2.4	Single	5,82	4,92	4,13	3,69	
798-U.FL2LP068N2A1000	U.FL-2LP-068N2-A-(1000)	E	1000	068	1.32	2.4	Single	7,75	6,73	6,06	5,38	
798-U.FL2LP088K2TA100	U.FL-2LP-088K2T-A-(100)	E	100	088	1.37	2.4	Single	5,66	4,79	4,02	3,59	
798-U.FL2LP088K2TA200	U.FL-2LP-088K2T-A-(200)	E	200	088	1.37	2.4	Single	5,86	4,95	4,16	3,71	
798-U.FL2LP088K2TA500	U.FL-2LP-088K2T-A-(500)	E	500	088	1.37	2.4	Single	6,81	5,77	4,85	4,32	
798-U.FL2LP088K2T1000	U.FL-2LP-088K2T-A-(1000)	E	1000	088	1.37	2.4	Single	7,34	6,39	5,93	5,11	

Tooling

For quantities greater than listed, call for quote.

MOUSER STOCK NO.	Hirose Part No.	Fig.	Description	Price Each			
				1	10	50	100
798-U.FL-LP-N-2	U.FL-LP-N-2	-	Extraction Tool for U.FL-LP-04/066/088	16,09	15,54	14,47	13,94
798-U.FL-LP-N-201	U.FL-LP-N-2(01)	-	Extraction Tool for U.FL-LP-04/066/088	11,70	11,01	9,97	9,64
798-U.FL-LPV-N-2	U.FL-LP(V)-N-2	-	Extraction Tool for U.FL-LP(V)-040/U.FL-LP-062	14,48	13,99	13,03	12,55

© Copyright 2012 Mouser Electronics

© Copyright 2012 Mouser Electronics

HIROSE Coaxial Connectors



This product is RoHS compliant.



HIROSE ELECTRIC CO., LTD.

W.FL SERIES

Receptacle

MOUSER STOCK NO.	Hirose Part No.	Fig.	Contact Gender	Contact Plating	Body Plating	Termination Type	Packaging	Price Each			
								1	10	50	100
798-W.FL-R-SMT-110	W.FL-R-SMT-1(10)	A	Male	Gold	Silver	SMT	Reel	1,38	1,12	0,908	0,817

Cable Assemblies

MOUSER STOCK NO.	Hirose Part No.	Fig.	Cable Length (mm)	Cable Type	Cable Diameter (mm)	Mated Height (mm)	Wire Gauge	Price Each			
								1	10	50	100
Plug to Plug Cable Assembly - White											
798-W.FL2LP04N1A100	W.FL-2LP-04N1-A-(100)	B	100	04N	0.81	1.4	36	6,22	5,14	4,29	3,86
798-W.FL2LP04N1A200	W.FL-2LP-04N1-A-(200)	B	200	04N	0.81	1.4	36	5,73	4,84	4,08	3,63
798-W.FL2LP04N1A500	W.FL-2LP-04N1-A-(500)	B	500	04N	0.81	1.4	36	5,48	4,60	4,10	3,42
798-W.FL2LP04N1A1000	W.FL-2LP-04N1-A-(1000)	B	1000	04N	0.81	1.4	36	7,64	6,45	5,65	4,83
Plug to Plug Cable Assembly - Black											
798-W.FL2LP04N2A100	W.FL-2LP-04N2-A-(100)	B	100	04N	0.81	1.4	36	6,22	5,14	4,29	3,86
798-WFL2LPG062N2DA35	W.FL-2LPG-062N2D-A(35)	B	35	062	1.00	1.4	33	5,49	4,62	3,70	2,98
798-WFL2LPG062N2DA40	W.FL-2LPG-062N2D-A(40)	B	40	062	1.00	1.4	33	5,96	4,62	3,70	2,98
798-WFL2LPG062N2DA70	W.FL-2LPG-062N2D-A(70)	B	70	062	1.00	1.4	33	5,43	4,59	3,86	3,44
798-WFL2LPG062N2D100	W.FL-2LPG-062N2D-A(100)	B	100	062	1.00	1.4	33	5,51	4,66	3,91	3,49

Tooling

MOUSER STOCK NO.	Hirose Part No.	Fig.	Cable Length (mm)	Price Each
798-W.FL-LP-N	W.FL-LP-N	-	Extraction Tool	82,00

H.FL SERIES

Receptacle

MOUSER STOCK NO.	Hirose Part No.	Fig.	Contact Gender	Contact Plating	Body Plating	Termination Type	Price Each			
							1	10	50	100
798-HFLRSMTO1	H.FL-R-SMT(01)	C	Male	Gold	Silver	Thru-Hole	1,47	1,22	1,01	0,908

Converter Adapters

MOUSER STOCK NO.	Hirose Part No.	Fig.	Adapter Type	Contact Plating	Body Plating	Price Each			
						1	10	50	100
798-HRMJ-H.FLP-340	HRMJ-H.FLP-3(40)	D	Adapter Plug/SMA Jack	Gold	Silver	21,29	20,58	19,47	18,45
798-HRMP-H.FLJ40	HRMP-H.FLJ(40)	E	Adapter Jack/SMA Plug	Gold	Silver	18,44	17,83	16,68	15,98

Tooling

MOUSER STOCK NO.	Hirose Part No.	Fig.	Description	Price Each
798-H.FL-LP-N	H.FL-LP-N	-	Extraction Tool	35,48

HRM(V) SERIES Low-Cost SMA Coaxial Connectors

Receptacle

MOUSER STOCK NO.	Hirose Part No.	Fig.	Contact Gender	Contact Plating	Body Plating	Termination Type	Price Each			
							1	25	100	250
798-HRMV-306S	HRM(V)-306S	F	Female	Gold	Steel	Thru-Hole	4,18	3,24	2,59	2,10

MS-147 SERIES Interface RF Connector with Switch

SMA Converter Adapter

MOUSER STOCK NO.	Hirose Part No.	Fig.	Adapter Type	Contact Plating	Body Plating	Price Each			
						1	10	50	100
798-MS-147-HRMJ-1	MS-147-HRMJ-1	G	Adapter Plug/SMA Jack	Gold	Silver	15,96	14,90	13,84	13,56

MS-156C SERIES Subminiature Coaxial Adapters

SMA Converter Adapters

MOUSER STOCK NO.	Hirose Part No.	Fig.	Adapter Type	Contact Plating	Body Plating	Price Each			
						1	25	100	250
798-MS-156-HRMJ-2	MS-156-HRMJ-2	H	Simplified Lock, Straight, Short	Gold	Silver	23,76	22,18	20,59	20,19
798-MS156HRMJ12	MS-156-HRMJ-12	I	Floating (Self Pressing)	Gold	Silver	78,19	72,61	69,81	68,42

MS-162 SERIES Miniature Interface Coaxial Switch

Receptacle

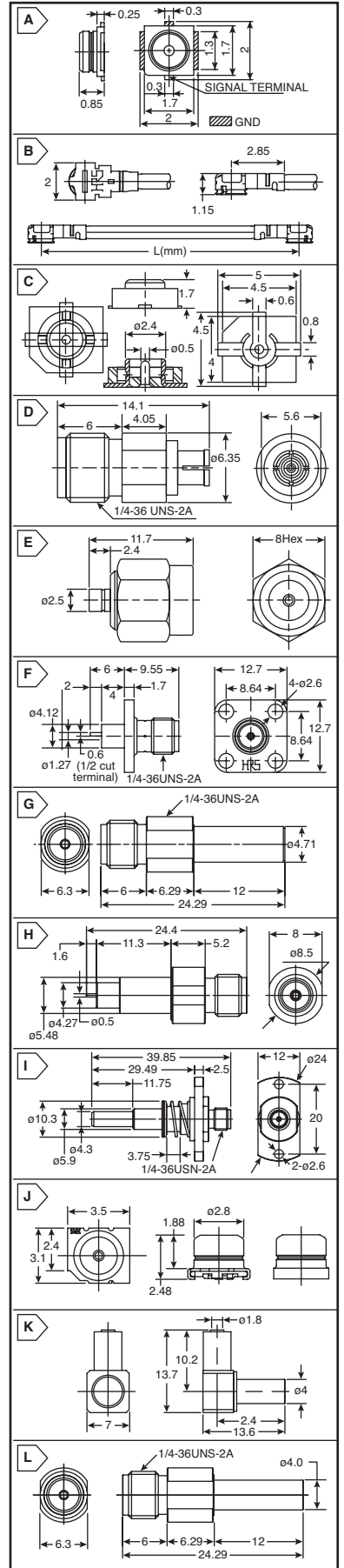
MOUSER STOCK NO.	Hirose Part No.	Fig.	Contact Gender	Contact Plating	Body Plating	Termination Type	Price Each			
							1	25	100	200
798-MS16201	MS-162(01)	J	Female	Gold	Gold	Coaxial	2,68	2,05	1,65	1,36

Plug

MOUSER STOCK NO.	Hirose Part No.	Fig.	Termination Type	Price Each
798-MS-162-CLP-1	MS-162-C(LP)-1	K	Male	15,10 14,09 13,08 12,83

SMA Converter Adapter

MOUSER STOCK NO.	Hirose Part No.	Fig.	Adapter Type	Contact Plating	Body Plating	Price Each			
						1	25	100	200
798-MS-162-HRMJ-1	MS-162-HRMJ-1	L	Adapter Plug/SMA Jack	Gold	Steel	14,59	13,34	12,01	11,15



RF Connectors

Hirose

JOHNSON COMPONENTS RF Connectors

RoHS Compliant This product is RoHS compliant.

Johnson
Connectivity Solutions

EMERSON
Network Power

SMP CONNECTORS

Offers a Micro-Miniature, Slide-on/Snap-on Interconnect System that aids in the design of high-density packaging as well as axial and radial misalignment issues. The SMP interface offers superior performance up to 40GHz and is compatible with all SMP. They offer high electrical reliability where extreme shock and vibration conditions are experienced.

- Shock (specified pulse): MIL-STD-202, Method 213, Condition 1
- Temperature Range: -65°C to +165°C
- Vibration: MIL-STD-202, Condition D
- Phased Arrays
- Communication Equipment
- Satellites
- High Density Modular Packaging
- Axial/Radial Misalignment solutions

For quantities greater than listed, call for quote.

MOUSER STOCK NO.	Johnson Components Part No.	Fig.	Description	Price Each			
				1	10	25	100
Female							
530-127-0692-001	127-0692-001	A	Straight M17/151 (.047 SR)	11,54	10,39	9,35	8,88
530-127-0693-001	127-0693-001	A	Straight RG 405 (.086 SR)	10,82	9,74	8,76	8,32
530-127-0693-101	127-0693-101	B	Right Angle RG 405 (.086 SR)	14,42	12,98	11,68	11,10
Male							
530-127-0701-201	127-0701-201	C	PC Mount Straight .218 OD .100 Legs Full Detent	12,26	11,03	9,93	9,43
530-127-1701-201	127-1701-201	C	PC Mount Straight .218 OD .100 Legs Limited Detent	12,26	11,03	9,93	9,43
530-127-0701-801	127-0701-801	D	End Launch Surface Mount Full Detent	12,26	11,03	9,93	9,43
530-127-1701-801	127-1701-801	D	End Launch Surface Mount Limited Detent	12,26	11,03	9,93	9,43
530-127-2701-801	127-2701-801	D	End Launch Surface Mount Smooth Bore	12,26	11,03	9,93	9,43
530-127-2701-602	127-2701-602	E	Shroud 2 Hole Flange .165 Wide Smooth Bore	5,41	4,87	4,38	4,16
Adapters							
530-127-0901-801	127-0901-801	F	Bullet Female to Female .254	10,82	9,74	8,76	8,32
530-127-0901-811	127-0901-811	G	Female to Female .769	16,59	14,93	13,44	12,77

SMP CONNECTOR TOOLING

For quantities greater than listed, call for quote.

MOUSER STOCK NO.	Johnson Components Part No.	Fig.	Description	Price Each	
				1	5
530-127-0000-900	127-0000-900	H	SMP Bullet Extraction Tool	203,56	193,38
530-127-0000-905	127-0000-905	I	SMP FD Shroud Centering Tool	10,17	9,87
530-127-0000-906	127-0000-906	I	SMP LD Shroud Centering Tool	10,17	9,87
530-127-0000-907	127-0000-907	I	SMP SB Shroud Centering Tool	10,17	9,87

SMA EDGE MOUNT CONNECTORS

This End Launch connector is attached to the circuit board by inserting the board edge between the legs and soldering the legs and center conductor to pads on the board.

- Impedance: 50Ω
- Frequency Range: 0-18GHz
- Temperature Range: -65°C to +165°C
- Contact Plating: Gold
- Body: Brass
- MIL-C-39012
- Round contact

For quantities greater than listed, call for quote.

MOUSER STOCK NO.	Johnson Components Part No.	Fig.	Description	Price Each			
				1	10	25	100
Straight Jack Receptacles							
530-142-0711-811	142-0711-811	J	.062" Board Thickness, Round Contact, .375" Wide, Bulkhead	5,76	5,45	5,13	4,76
530-142-0701-806	142-0701-806	J	.062" Board Thickness, Round Contact, .375" Wide	4,41	3,93	3,81	3,62
530-142-0711-821	142-0711-821	K	.062" Board Thickness, Round Contact, .250" Wide	5,02	4,61	3,78	3,09
530-142-0711-841	142-0711-841	K	.042" Board Thickness, Round Contact, .250" Wide	7,55	5,72	5,47	5,14
530-142-0711-846	142-0711-846	K	.042" Board Thickness, Round Contact, .250" Wide	7,41	6,68	5,86	5,34
530-142-0701-801	142-0701-801	K	.062" Board Thickness, Round Contact, .375" Wide	3,55	3,30	3,04	2,46
530-142-0711-871	142-0711-871	K	.047" Board Thickness, Round Contact, .375" Wide	7,82	6,92	5,54	5,13
530-142-0701-881	142-0701-881	K	.031" Board Thickness, Round Contact, .375" Wide	4,34	3,91	3,52	3,34
530-142-0701-851	142-0701-851	K	.062" Board Thickness, Round Contact, .375" Wide	6,23	5,75	5,50	4,63
530-142-0701-841	142-0701-841	K	.042" Board Thickness, Round Contact, .375" Wide	6,23	5,75	5,50	5,18
530-142-0701-871	142-0701-871	J	.062" Board Thickness, Round Contact, Bulkhead	5,46	4,91	4,42	4,20

SMA FIXED COMMERCIAL ATTENUATORS

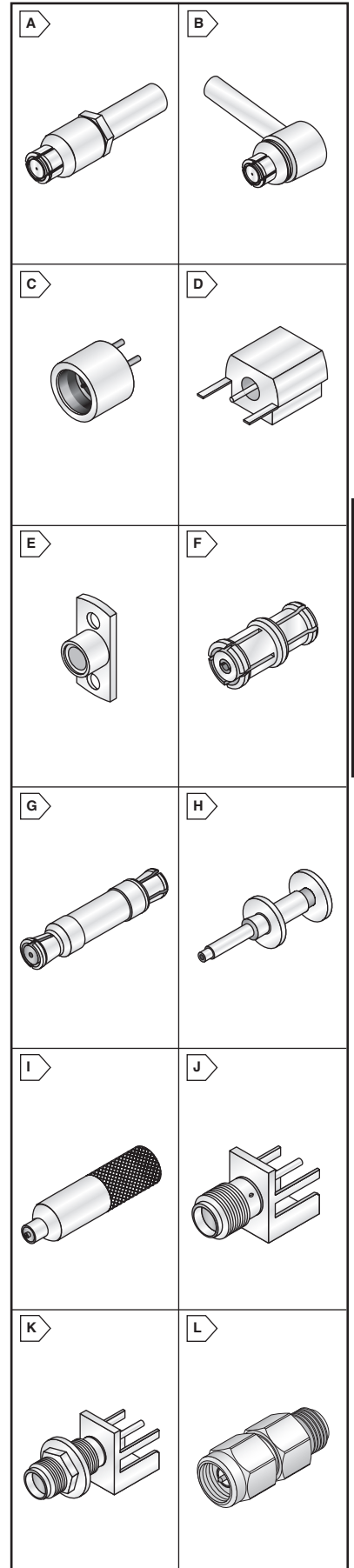
These fixed attenuators offer a rugged stainless steel body, top of the line quality performance and at a competitive price.

Features and Benefits:

- Reduces impedance mismatches in high frequency circuit systems
- Improves impedance match between amplifiers and filters
- Provides isolation needed to stabilize oscillators
- Extends the dynamic range of measuring equipment such as power meters, fixed intensity meters, spectrum analyzers, and amplifiers
- Changes a source or load, which might be reactive, into one which is precisely known and resistive
- Passivated per MIL-F-14-72

For quantities greater than listed, call for quote.

MOUSER STOCK NO.	Johnson Components Part No.	Fig.	Attenuation (dB Normal)	Frequency Range	Price Each			
					1	10	25	100
530-141-3901-801	141-3901-801	L	1	(0-6GHz)	22,10	20,10	18,42	15,79
530-141-3901-802	141-3901-802	L	2	(0-6GHz)	24,78	22,54	20,66	17,70
530-141-3901-803	141-3901-803	L	3	(0-6GHz)	24,78	22,54	20,66	17,70
530-141-3901-806	141-3901-806	L	6	(0-6GHz)	24,78	22,54	20,66	17,70
530-141-3901-810	141-3901-810	L	10	(0-6GHz)	25,07	22,80	20,89	17,91



JOHNSON COMPONENTS RF Connectors

SMA QUICK-CONNECT

The Johnson SMA Quick-Connect plug can quickly mate to a standard, threaded SMA jack receptacle allowing rapid test connections to devices utilizing SMA threaded jacks. Full Mil-C-39012 electrical compatibility is obtained with a push and twist motion. The SMA Quick-Connect plug adapter converts a standard SMA plug test cable into a Quick-Connect cable.

- Coupling Hardware: Nickel plated
- Frequency Range: 0-12.4 GHz Plugs, 0-18GHz Adapter
- VSWR: 1.15 +.02f(GHz) Plugs, 1.05 +.005f(GHz) Adapter
- Contact Plating: Gold

RoHS Compliant

For quantities greater than listed, call for quote.

MOUSER STOCK NO.	Johnson Components Part No.	Fig.	Body Plating	Description	Price Each		
					1	5	10
Plugs							
530-142-1403-001	142-1403-001	A	Gold	RG-161/U, 174, 188, 316	34,03	31,59	29,48
530-142-1407-001	142-1407-001	A	Gold	RG-58/U, 141, 303	41,91	37,07	29,66
Adapter							
530-142-1901-821	142-1901-821	B	Gold	Converts SMA Jack to SMA Plug	34,63	31,17	28,05

SMA JACK RECEPTACLES

- Impedance: 50Ω
- Frequency Range: 0-18GHz
- Temperature Range: -65°C to +165°C
- Contact Plating: Gold
- Engagement design: MIL-C-39012

RoHS Compliant

For quantities greater than listed, call for quote.

MOUSER STOCK NO.	Johnson Components Part No.	Fig.	Body Plating	Description	Price Each		
					1	10	25
Panel Jacks							
530-142-0701-411	142-0701-411	C	Gold	Bulkhead, Front Mount, Solder Cup	9,31	8,38	7,55
530-142-0701-401	142-0701-401	D	Gold	Bulkhead, Rear Mount, Solder Cup	6,03	5,43	4,89
530-142-0701-631	142-0701-631	E	Gold	4 Hole Flange Mount, Flush Dielectric, Solder Cup	10,90	9,27	8,34
530-142-0701-621	142-0701-621	F	Gold	2 Hole Flange Mount, Flush Dielectric, Solder Cup	5,25	4,72	4,25
Vertical PCB Jacks							
530-142-0701-201	142-0701-201	G	Gold	Round Base, .155" Legs, Thru-Hole	3,61	3,25	2,92
530-142-0701-206	142-0701-206	G	Nickel	Round Base, .155" Legs, Thru-Hole	5,77	5,19	4,68
530-142-0701-231	142-0701-231	G	Gold	Round Base, .110" Legs, Thru-Hole	3,61	3,25	2,92
530-1420701211	142-0701-211	H	Gold	Square Base, .155" Legs, Thru-Hole	8,05	7,25	6,52
530-142-0701-831	142-0701-231	H	Gold	End Launch, .042" legs, Round Contact	7,75	6,57	5,35
530-142-0711-201	142-0711-201	I	Gold	Square Base, .050" Legs, Surface Mount	2,87	2,60	2,37
Right-Angle PCB Jacks							
530-142-0701-301	142-0701-301	J	Gold	Round Base, .155" Legs, Thru-hole, Solder Type	5,78	5,21	4,69
530-142-0711-301	142-0711-301	K	Gold	Square Base, .050" Legs, Surface Mount	15,56	14,01	12,61
530-142-0701-501	142-0701-501	L	Gold	Square Base, .155" Legs, Bulkhead, Thru-Hole	6,99	6,29	5,66
530-142-0701-506	142-0701-506	L	Nickel	Square Base, .155" Legs, Bulkhead, Thru-hole	13,21	11,89	10,70
530-142-0701-551	142-0701-551	L	Gold	Square Base, .110" Legs, Bulkhead, Thru-hole	19,21	17,29	15,56

SMA HIGH FREQUENCY EDGE MOUNT CONNECTORS

- Impedance: 50Ω
- Frequency Range: 0-26.5 GHz
- Insulator: PTFE
- Contact Plating: Gold
- Body: Brass
- Body Plating: Gold
- Temperature Range: -65°C to +165°C
- Offers low VSWR
- Low insertion force over a wide bandwidth

RoHS Compliant

For quantities greater than listed, call for quote.

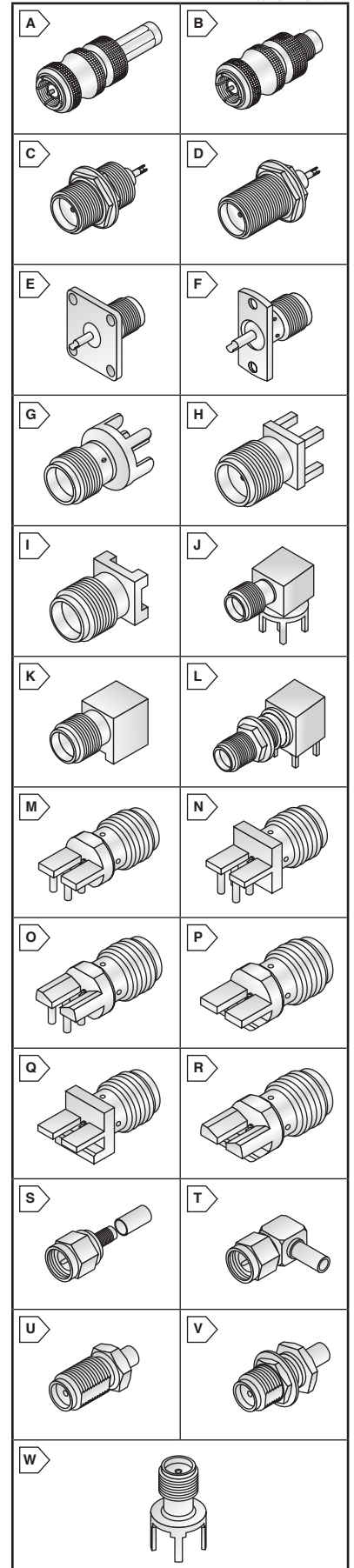
MOUSER STOCK NO.	Johnson Components Part No.	Fig.	Body Plating	Description	Price Each		
					1	10	25
Right-Angle PCB Jacks							
530-142-0761-801	142-0761-801	M	.010	Round Body, .093" Legs, Thru-Hole	13,02	11,72	10,55
530-142-0761-821	142-0761-821	M	.015	Round Body, .093" Legs, Thru-Hole	15,73	14,15	12,74
530-142-0761-831	142-0761-831	N	.015	Square Body, .120" Legs, Thru-Hole	11,47	10,32	9,29
530-142-0761-811	142-0761-811	N	.010	Square Body, .120" Legs, Thru-Hole	15,73	14,15	12,74
530-142-0761-881	142-0761-881	O	.010	Round Body, .093" Legs, Thru-Hole, Thick Legs	15,10	13,59	12,23
530-142-0771-821	142-0771-821	O	.015	Round Body, .093" Legs, Thru-Hole, Thick Legs	11,47	10,32	9,29
Straight Jacks							
530-142-0761-841	142-0761-841	P	.010	.062" Board Thickness, Round Body, .218" Wide	13,02	11,72	10,55
530-142-0761-861	142-0761-861	P	.015	.062" Board Thickness, Round Body, .218" Wide	11,47	10,32	9,29
530-142-0761-851	142-0761-851	Q	.010	.062" Board Thickness, Square Body, .250" Wide	11,47	10,32	9,29
530-142-0761-871	142-0761-871	Q	.015	.062" Board Thickness, Square Body, .250" Wide	11,47	10,32	9,29
530-142-0761-891	142-0761-891	R	.010	.062" Board, Round Body, .218" Wide, Thick Legs	11,47	10,32	9,29
530-142-0771-831	142-0771-831	R	.015	.062" Board, Round Body, .218" Wide, Thick Legs	11,47	10,32	9,29

STAINLESS STEEL SMA CONNECTORS

- Impedance: 50Ω
- Frequency Range: up to 26.5 GHz
- Cable contacts are captivated upon assembly
- Flexible cable contacts can be crimped or soldered
- Contact Plating: Gold
- Body Plating: Passivated/Gold plating where soldering is required

For quantities greater than listed, call for quote.

MOUSER STOCK NO.	Johnson Components Part No.	Fig.	Body Plating	Description / Cable Type	RoHS	Price Each		
						1	10	25
Straight Plugs (3 Piece) - Crimp - Flexible Cable - Captivated Contact Passivated								
530-141-0407-012	141-0407-012	S	Passivated	RG58/U, 141, 303, LMR195, HPF195, RF195	No	7,20	6,48	5,83
530-141-0408-012	141-0408-012	S	Passivated	RG55/U, 142, 223, 400	No	9,15	8,24	7,41
Right Angle Plugs - Crimp - Flexible Cable - Captivated Contact Passivated								
530-141-0403-102	141-0403-102	T	Passivated	RG161/U, 174, 188, 316	Yes	19,54	17,58	15,82
530-141-0407-102	141-0407-102	T	Passivated	RG58/U, 141 303	Yes	16,32	14,69	13,21
530-141-0408-102	141-0408-102	T	Passivated	RG55/U, 142, 223, 400	Yes	25,88	21,93	17,89
Straight Jack - Solder - Semi-Rigid Cable Gold								
530-141-0594-001	141-0594-001	U	Gold	.141	No	6,71	6,04	5,44
Straight Bulkhead Jack (3 Piece) - Crimp - Flexible Cable - Captivated Contact Passivated								
530-141-0307-412	141-0307-412	V	Passivated	RG58/U, 141 303	No	10,58	9,52	8,57
Vertical PCB Jack - Gold								
530-141-0701-201	141-0701-201	W	Gold	Round Base, .155" Legs, Thru-Hole	No	9,92	8,93	8,03



JOHNSON COMPONENTS RF Connectors

RoHS Compliant This product is RoHS compliant.

Johnson
Connectivity Solutions

EMERSON
Network Power

SMA CABLE CONNECTORS

- Impedance: 50Ω
- Body: Brass
- Contact Plating: Gold
- Insulator: PTFE Fluorocarbon
- Temperature Range: -65° to +165°C
- Durability: 500 Cycles minimum
- Frequency Range: 0-12.4 GHz for Flexible Cable Types
- 0-26.5 GHz for Semi-Rigid Cable Types
- 0-28 GHz for Plugs with Semi-Rigid cable and Captivated Solderless Contact;
- 0-25 GHz for Jacks with Semi-Rigid cable and Captivated Solderless Contact

For quantities greater than listed, call for quote.

MOUSER STOCK NO.	Johnson Components Part No.	Fig.	Body Plating	Description / Cable Type	Price Each			
					1	10	25	100
Straight Plugs - Semi-Rigid Cable								
530-142-0693-001	142-0693-001	A	Gold	.086 with Contact, Captive Nut	3,43	3,09	2,78	2,64
530-142-0693-006	142-0693-006	A	Nickel	.086 with Contact, Captive Nut	5,28	4,76	4,28	4,07
530-142-0694-001	142-0694-001	A	Gold	.141 with Contact, Captive Nut	7,31	6,47	5,17	4,80
530-142-0694-006	142-0694-006	A	Nickel	.141 with Contact, Captive Nut	7,85	7,30	6,80	6,37
Straight Plugs - Semi-Rigid Cable - Captivated Solderless Contact								
530-142-0693-061	142-0693-061	B	Gold	.086 with Captive Nut, 1 Piece Body	9,83	9,07	8,43	7,87
Right Angle Plugs - Semi-Rigid Cable								
530-142-0693-101	142-0693-101	C	Gold	.086 with Contact, 1 Piece Body	8,25	7,43	6,68	6,35
530-142-0694-101	142-0694-101	C	Gold	.141 with Contact, 1 Piece Body	12,97	11,67	10,51	9,98
Straight Plugs - Flexible Cable - Captivated Contact								
530-142-0402-011	142-0402-011	D	Gold	178/U, 196	7,39	6,65	5,98	5,68
530-142-0403-011	142-0403-011	D	Gold	161/U, 174, 188, 316, LMR-100	3,62	3,26	2,93	2,78
530-142-0404-011	142-0404-011	D	Gold	188 DS, 316 DS	6,45	5,87	5,33	5,03
530-142-0407-011	142-0407-011	D	Gold	58/U, 141, 303, LMR-195	4,75	4,27	3,84	3,65
530-142-0408-011	142-0408-011	D	Gold	55/U, 142, 223, 400	5,88	5,30	4,77	4,53
Right Angle Plugs - Flexible Cable - Captivated Contacts								
530-142-0402-101	142-0402-101	E	Gold	178/U, 196	11,66	10,31	8,25	7,67
530-142-0403-101	142-0403-101	E	Gold	161/U, 174, 188, 316, LMR-100	5,67	5,10	4,59	4,36
530-142-0403-106	142-0403-106	E	Gold	161/U, 174, 188, 316, LMR-100	7,44	6,73	6,39	6,13
530-142-0435-101	142-0435-101	E	Gold	LMR-240, RF-195	13,02	12,09	11,28	10,58
530-142-0203-101	142-0203-101	E	Gold	161/U, 174, 188, 316, LMR-100	8,66	7,80	7,02	6,67
530-142-0404-101	142-0404-101	E	Gold	188 DS, 316 DS	10,00	8,96	8,13	7,42
530-142-0408-101	142-0408-101	E	Gold	55/U, 142, 223, 400	10,34	9,31	8,38	7,96
Jacks								
530-142-0593-001	142-0593-001	F	Gold	Straight Semi-Rigid Cable .086	3,97	3,57	3,21	3,05
530-142-0594-001	142-0594-001	F	Gold	Straight Semi-Rigid Cable .141	8,33	7,49	6,74	6,41
530-142-0593-401	142-0593-401	G	Gold	Straight Semi-Rigid Cable .086 Rear Mount Bulkhead	8,77	7,93	7,24	6,84
530-142-0594-401	142-0594-401	G	Gold	Straight Semi-Rigid Cable .141 Rear Mount Bulkhead	7,70	6,80	5,44	5,05
530-142-0303-011	142-0303-011	H	Gold	Straight Flex Cable 161/U, 174, 188, 316, LMR-100	7,23	6,48	6,01	5,60
530-142-0302-431	142-0302-431	I	Gold	Straight Flex Cable 178/U, 196 - Bulkhead	11,82	10,64	9,57	9,09
530-142-0303-411	142-0303-411	I	Gold	Straight Flex Cable 161/U, 174, 188, 316 - Bulkhead	6,84	6,15	5,54	5,26

SMA CONNECTOR TOOLING

Crimp Tools

For quantities greater than listed, call for quote.

MOUSER STOCK NO.	Johnson Components Part No.	Fig.	Description / Cable Type	Price Each	
				1	5
530-140-0000-952	140-0000-952	J	Economy Hand Crimp Tool (Frame Only)	150,74	143,20
530-140-0000-951	140-0000-951	---	Die for (RG 178,316/DS,58,142,735A,LMR-100,195,200)	183,05	173,90

Semi-Rigid Assembly Tools

For quantities greater than listed, call for quote.

MOUSER STOCK NO.	Johnson Components Part No.	Fig.	Description / Cable Type	Price Each			
				1	10	25	100
530-140-0000-982	140-0000-982	--	Soldering Mating Fixture for SMA Plugs	3,17	2,90	2,67	2,47
530-140-0000-973	140-0000-973	--	Soldering Mating Fixture for SMA Jacks	5,22	4,78	4,41	4,09

SMK (2.92MM) 40 GHZ CONNECTORS

- Connector Mating: per MIL-STD-348
- Impedance: 50Ω
- Connector Body: Stainless Steel
- Temperature Range: -65° to 165°C
- Frequency Range: 0-40GHz
- Contacts: Gold Plated
- Durability: 500 Cycles Minimum

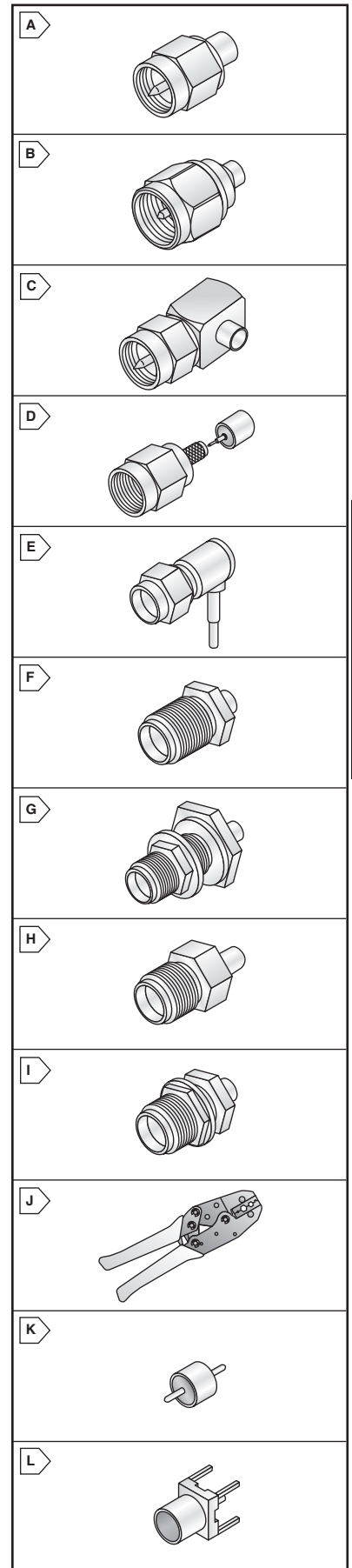
For quantities greater than listed, call for quote.

MOUSER STOCK NO.	Johnson Components Part No.	Fig.	Description / Cable Type	Price Each			
				1	10	25	100
Straight Plugs for Semi-Rigid							
530-145-0693-001	145-0693-001	K	.086 Semi-Rigid, with Contact, Slide-On Nut; Gold	23,58	20,77	18,20	16,84
530-145-0693-002	145-0693-002	K	.086 Semi-Rigid, with Contact, Slide-On Nut; Passivated	11,17	9,59	9,24	8,10
530-145-0694-002	145-0694-002	K	.141 Semi-Rigid, with Contact, Slide-On Nut; Passivated	8,96	8,37	7,34	6,79
Receptacles							
530-142-1000-033	142-1000-033	L	Hermetic Seal Feed-Thru; Gold	8,08	7,51	7,00	6,56

SMK SEMI-RIGID ASSEMBLY TOOLS

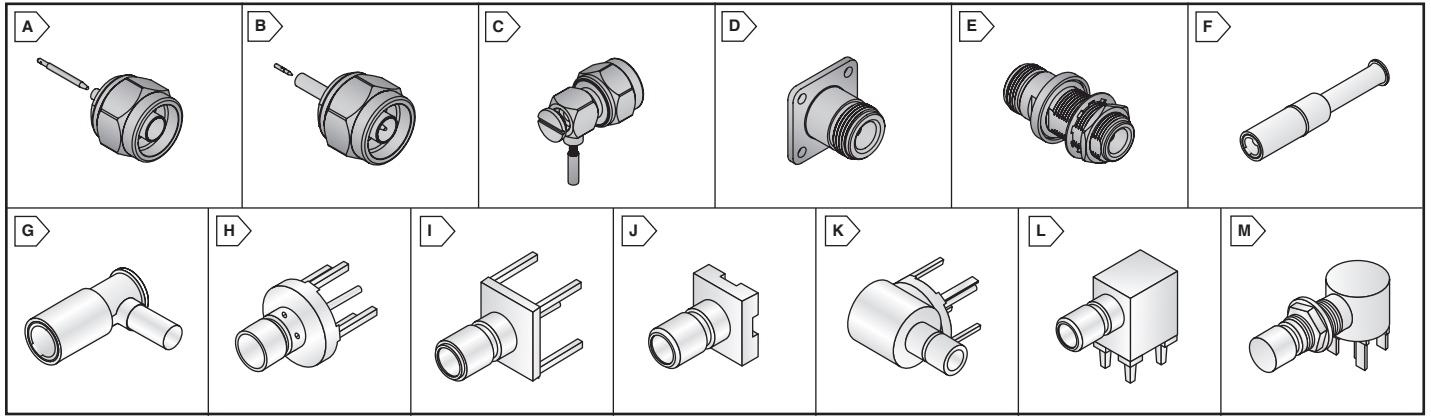
For quantities greater than listed, call for quote.

MOUSER STOCK NO.	Johnson Components Part No.	Fig.	Description / Cable Type	Price Each	
				1	5
530-140-0000-957	140-0000-957	--	SMK Bead Assembly Tool, Semi-Rigid Plugs, All Cables	44,32	38,41
530-140-0000-959	140-0000-959	--	SMK Body Soldering Tool, .141" Plug	14,18	13,08
530-140-0000-961	140-0000-961	--	SMK Contact Soldering Tool, .141" Plug	13,74	12,65
530-140-0000-968	140-0000-968	--	SMK Vise Stop (2.92mm)	13,74	12,65
530-140-0000-962	140-0000-962	--	Soldering Vise (Requires Inserts and Stop Screw)	510,09	478,22
530-140-0000-965	140-0000-965	--	Semi-Rigid Cable Clamp Insert for .141" Cable	88,04	82,54



RF Connectors

Johnson Components



N TYPE CONNECTORS

Features:

- Cabled contacts are captivated upon assembly
- Flexible cable contacts can be crimped or soldered
- Semi-Rigid cabled connectors are capable of operating to 18GHz
- Body Plating: Tri-Alloy and gold plating where soldering is required
- Impedance: 50Ω
- Frequency Range: up to 11GHz
- Contact Plating: Gold
- Body Plating: Tri-Alloy and gold plating where soldering is required

Applications:

- Antennas
- Base stations
- Broadcast
- Cable assemblies
- Cellular
- Instrumentation
- Microwave radio
- Radios
- Radar
- RF and microwave components
- Satcom
- Surge protection
- WLAN

For quantities greater than listed, call for quote.

MOUSER STOCK NO.	Johnson Components Part No.	Fig.	Body Plating	Description / Cable Type	RoHS	Price Each		
						1	10	25
Straight Plug - Solder - Semi-Rigid Cable - Tri-Alloy Plated Coupling Nut								
530-138-4694-001	138-4694-001	A	Gold	.141 Solder Contact	No	17,71	15,94	14,35
Straight Plug - Crimp - Flexible Cable								
530-138-4449-007	138-4449-007	B	Tri-Alloy	LMR400, Belden 9913	No	12,66	11,39	10,25
Right Angle Plug - Crimp - Flexible Cable Captivated Contact								
530-138-4407-107	138-4407-107	C	Tri-Alloy	RG58/U, 141 303	No	37,23	33,51	30,14
Panel Mount Receptacles								
530-138-4701-607	138-4701-607	D	Tri-Alloy	4 Hole Flange Mount, Flush Dielectric, Solder Cup	No	24,18	21,76	19,58
Adapter								
530-138-4901-407	138-4901-407	E	Tri-Alloy	Jack to Bulkhead Jack	No	37,95	34,15	30,74

SMB CONNECTORS

- Impedance: 50Ω
- Connector Bodies: Machined Brass
- Body Plating: Gold or Nickel
- Durability: 500 Cycles minimum
- Insulators: PTFE Fluorocarbon
- Temperature Range: -65° to +165°C
- Frequency Range: 0-4.0GHz for Flexible Cable Types
- Contact Plating: Gold



RoHS Compliant

For quantities greater than listed, call for quote.

MOUSER STOCK NO.	Johnson Components Part No.	Fig.	Body Plating	Description / Cable Type	Price Each			
					1	10	25	100
Straight Plugs - Flexible Cable								
530-131-1403-001	131-1403-001	F	Gold	.161/U, 174, 188, 316, LMR-100	5,96	5,37	4,83	4,60
530-131-1403-016	131-1403-016	F	Nickel	.161/U, 174, 188, 316, LMR-100	4,71	4,24	3,81	3,62
Right Angle Plugs								
530-131-1403-101	131-1403-101	G	Gold	.161/U, 174, 188, 316, LMR-100, Flex Cable	5,71	5,13	4,61	4,39
530-131-1403-116	131-1403-116	G	Nickel	.161/U, 174, 188, 316, LMR-100, Flex Cable	5,77	5,19	4,68	4,44
530-131-1801-371	131-1801-371	G	Gold	PCB Mount, .110" Legs, Die Cast	9,35	8,44	7,16	6,34
Vertical PCB Jacks								
530-131-3701-201	131-3701-201	H	Gold	.155" Legs, Machined Brass, .312" Diameter Base	2,39	2,15	1,94	1,84
530-131-3701-206	131-3701-206	H	Nickel	.155" Legs, Machined Brass, .312" Diameter Base	1,87	1,69	1,40	1,30
530-131-3701-261	131-3701-261	I	Gold	.155" Legs, Machined Brass, .236" Square Base	2,68	2,41	2,17	2,06
530-131-3701-271	131-3701-271	I	Gold	.095" Legs, Machined Brass, .236" Square Base	1,67	1,50	1,35	1,28
530-131-3711-201	131-3711-201	J	Gold	.250" Square Base, Machined Brass	3,32	2,99	2,69	2,55
Right Angle PCB Jacks								
530-131-3701-301	131-3701-301	K	Gold	.155" Legs, Machined Brass	5,46	4,91	4,42	4,20
530-131-3701-306	131-3701-306	K	Nickel	.155" Legs, Machined Brass	3,02	2,80	2,62	2,45
530-131-1701-371	131-1701-371	L	Gold	.110" Legs, Die Cast	4,58	4,12	3,71	3,53
530-131-1701-376	131-1701-376	L	Nickel	.110" Legs, Die Cast	4,82	4,24	3,89	3,67
530-131-3701-501	131-3701-501	M	Gold	Bulkhead, .083" Legs, Machined Brass	7,52	6,77	6,09	5,79
530-131-3701-341	131-3701-341	M	Gold	Bulkhead, .155" Legs, Machined Brass	9,06	8,16	7,34	6,98
530-131-3701-346	131-3701-346	M	Nickel	Blukhead, .155" Legs, Machined Brass	5,76	5,18	4,65	4,30

MINI SMB CONNECTORS

- Impedance: 75Ω
- Intermediate with standard 50Ω 5mB
- Insulators: PTFE Fluorocarbon
- Durability: 500 cycles minimum



RoHS Compliant

For quantities greater than listed, call for quote.

MOUSER STOCK NO.	Johnson Components Part No.	Fig.	Body Plating	Description / Cable Type	Price Each			
					1	10	25	100
530-131-8403-001	131-8403-001	F	Gold	Straight Plug, RG-179, 187	5,88	5,34	4,87	4,55
530-131-8403-101	131-8403-101	G	Gold	Right Angle Plug, RG-179, 187	11,01	9,96	9,25	7,93
530-131-8701-201	131-8701-201	H	Gold	Vertical PCB Jack, .083" Legs, Machined Brass	2,18	1,93	1,75	1,61
530-131-8701-206	131-8701-206	H	Nickel	Vertical PCB Jack, .083" Legs, Machined Brass	2,98	2,68	2,41	2,29

JOHNSON COMPONENTS RF Connectors & Adaptors Johnson



Connectivity Solutions

RoHS Compliant This product is RoHS compliant.

MCX CONNECTORS

- Impedance: 50Ω
- Connector Bodies: Machined Brass
- Body Plating: Gold or Nickel
- Durability: 500 Cycles minimum
- Frequency Range: 0-6.0 GHz for Flexible Cable Types
- Insulators: PTFE Fluorocarbon
- Temperature Range: -65° to +165°C; Meets or exceeds MIL-C-39012
- Contact Plating: Gold

For quantities greater than listed, call for quote.

MOUSER STOCK NO.	Johnson Components Part No.	Fig.	Plating	Description / Cable Type	Price Each			
					1	10	25	100
Straight Plug - Flexible Cable								
530-133-3403-001	133-3403-001	A	Gold	RG-188/U, 316, 161, 174 - Captivated Contact	3,26	2,93	2,64	2,51
Right Angle Plugs - Flexible Cable								
530-133-3402-101	133-3402-101	B	Gold	RG-178/U, 196 - Captivated Contact	5,67	5,10	4,59	4,36
530-133-3403-101	133-3403-101	B	Gold	RG-188/U, 316, 161, 174 - Captivated Contact	3,36	3,02	2,72	2,58
530-133-3403-106	133-3403-106	B	Nickel	RG-188/U, 316, 161, 174 - Captivated Contact	3,36	3,02	2,72	2,58
Vertical PCB Jacks								
530-133-3701-201	133-3701-201	C	Gold	.155" Legs, .236" Square Base	3,33	3,00	2,70	2,56
530-133-3701-211	133-3701-211	C	Gold	.110" Legs, .236" Square Base	3,45	2,73	2,47	2,12
530-133-3701-216	133-3701-216	C	Nickel	.110" Legs, .236" Square Base	4,58	4,02	3,44	2,96
530-133-3701-231	133.3701-231	D	Gold	.155" Legs, .188" Diameter Round Base	4,66	4,01	3,45	3,00
530-133-3711-201	133-3711-201	E	Gold	.236" Square Base	6,56	5,90	5,31	5,05
Right Angle PCB Jacks								
530-133-3701-301	133-3701-301	F	Gold	.155" Legs, .236" Square Base	8,05	7,25	6,52	6,19
530-133-3701-306	133-3701-306	F	Nickel	.155" Legs, .236" Square Base	6,84	6,67	6,59	6,55
530-133-3701-311	133-3701-311	F	Gold	.110" Legs, .236" Square Base	7,32	6,59	5,93	5,64
530-133-3711-301	133-3711-301	G	Gold	.236" Square Base	6,86	6,17	5,56	5,28
End Launch Jacks								
530-133-3701-801	133-3701-801	H	Gold	.062" Board Thickness, .250" Sq. Mnt, Rnd Cont.	4,63	4,17	3,75	3,56
530-133-3711-801	133-3711-801	I	Gold	Surface Mount, Round Contact	5,34	5,03	4,51	4,02

MMCX CONNECTORS

- Impedance: 50Ω
- Connector Body: Brass
- Temperature Range: -65° to 165°C
- Frequency Range: 0-6 GHz
- Durability: 500 Cycles Minimum

For quantities greater than listed, call for quote.

MOUSER STOCK NO.	Johnson Components Part No.	Fig.	Plating	Description / Cable Type	Price Each		
					1	10	25
530-135-3402-001	135-3402-001	J	Gold	Straight Plug for RG-178/U, 196	7,74	6,96	6,27
530-135-3403-001	135-3403-001	J	Gold	Straight Plug for RG-316/U, 188, 161, 174	6,44	5,80	5,22
530-135-3402-101	135-3402-101	K	Gold	Right Angle Plug for RG-178/U, 196	9,63	8,96	8,12
530-135-3403-101	135-3403-101	K	Gold	Right Angle Plug for RG-316/U, 188, 161, 174	6,07	5,46	4,92
530-135-3701-201	135-3701-201	L	Gold	Vertical PCB Jack, .115" legs	3,49	3,14	2,83
530-135-3701-211	135-3701-211	L	Gold	Vertical PCB Jack, .068" legs	5,56	5,00	4,50
530-135-3711-201	135-3711-201	M	Gold	Surface Mount Vertical Jack, .030" legs	5,26	4,73	4,26
530-135-3701-301	135-3701-301	N	Gold	Right Angle PCB Jack, .115" legs	8,81	7,93	7,14
530-135-3701-311	135-3701-311	N	Gold	Right Angle PCB Jack, .068" legs	8,20	7,38	6,64
530-135-3711-801	135-3711-801	O	Gold	End Launch Surface Mount Jack	3,43	3,16	2,92

MMCX CONNECTOR TOOLING

For quantities greater than listed, call for quote.

MOUSER STOCK NO.	Johnson Components Part No.	Fig.	Description	Price Each	
				1	5
530-140-0000-952	140-0000-952	P	Economy Hand Crimp Tool (Frame Only)	150,74	143,20
530-140-0000-953	140-0000-953	--	Die Set for Crimp Tool (RG178, 316/DS)	313,71	298,03

IN-SERIES AND BETWEEN SERIES ADAPTERS

- Connector Body: Brass
- Body Plating: Gold
- Durability: 500 Cycles Minimum
- Temperature Range: -65° to 165°C

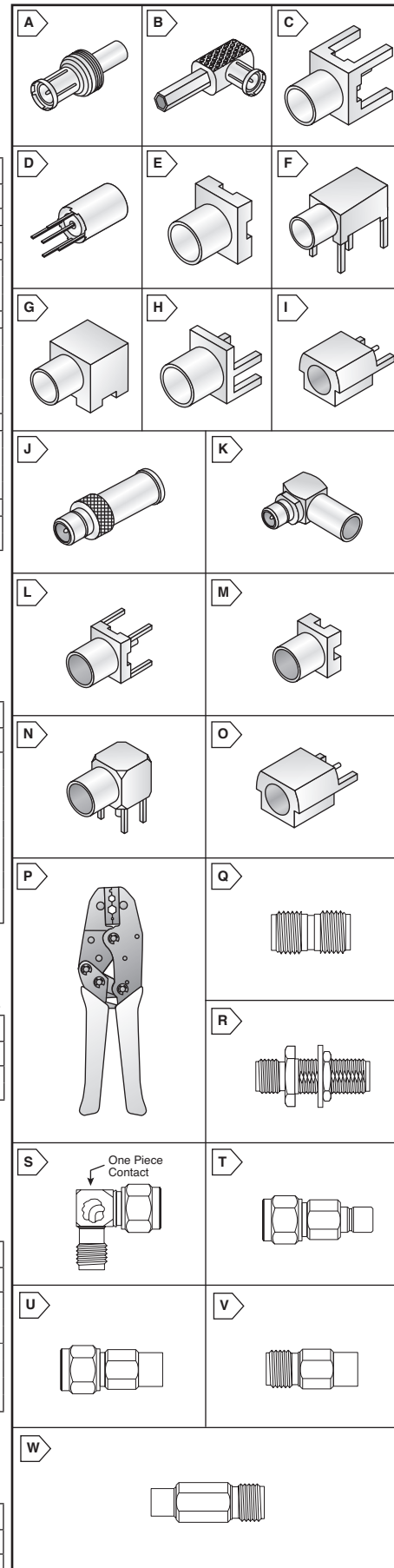
For quantities greater than listed, call for quote.

MOUSER STOCK NO.	Johnson Components Part No.	Fig.	Description	Frequency Range	Price Each	
					1	10
530-142-0901-801	142-0901-801	Q	SMA Jack to SMA Jack	0-18 GHz	8,11	7,18
530-142-0901-401	142-0901-401	R	SMA Jack to SMA Jack (Bulkhead Type)	0-18 GHz	15,44	12,50
530-142-0901-941	142-0901-941	S	SMA Jack to SMA Plug (Right Angle)	0-18 GHz	16,61	13,46
530-134-1012-011	134-1012-011	T	SMA Plug to SMB Jack	0-4 GHz	35,65	30,90
530-134-1012-021	134-1012-021	U	SMA Plug to SMB Plug	0-4 GHz	36,12	31,76
530-134-1012-041	134-1012-041	V	SMA Jack to SMB Plug	0-4 GHz	33,11	29,48
530-134-1018-021	134-1018-021	W	SMA Jack to MCX Jack	0-6 GHz	33,94	31,52

IN-SERIES AND BETWEEN SERIES ADAPTER KIT

For quantities greater than listed, call for quote.

MOUSER STOCK NO.	Johnson Components Part No.	Description	Price Each	
			1	2
530-142-0000-005	142-0000-005	72 Piece Adapter Kit (SMA, BNC, RCA, AND N Types)	400,78	380,74



RF Connectors

Johnson Components

TE Modular Jacks

RoHS Compliant **This product is RoHS compliant.**

TE Authorized Distributor
connectivity

SINGLE PORT R/A MODULAR JACKS

Specifications:

- Color: Black
- Current Rating: 1.5 amp max.
- Voltage Rating: 150 volts ac max.
- Durability: 750 mating cycles
- Housing: Through-Hole: Polyester, UL 94V-0 rated
- Housing STM: Polyphenylene Sulfide, UL 94V-0 rated

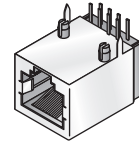
Features:

- Meets or exceeds FCC Part 68 rules & regulations
- Meets 1000 volt dielectric requirement
- Designed for ease of soldering & board cleaning
- Designed for direct mounting on pc boards
- SMT jacks compatible with vapor phase & IR reflow soldering

Through-Hole, Standard Profile, Solder PCB Termination

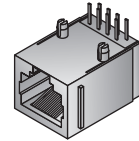
For quantities greater than listed, call for quote.

MOUSER STOCK NO.	TE Part No.	Fig.	Positions-Contacts	LED	Description	Price Each		
						1	25	50
With Panel Stops								
571-5555140-1	5555140-1	A	6/6	-	Shielded, Cat 3, Panel & PCB Ground Options	1,14	1,08	1,03
571-5555140-2	5555140-2	A	6/4	-	Shielded, Cat 3, Panel & PCB Ground Options	1,12	1,06	1,01
571-5557789-1	5557789-1	B	8/8	-	Cat 3, PCB Ground Options	20,09	19,08	18,13
571-5520250-1	5520250-1	B	6/2	-	Cat 3, w/o Ground Options	1,04	0,88	0,804
571-5557786-1	5557786-1	A	8/8	-	Shielded, Cat 3, w/ PCB Ground Options	3,19	2,87	2,63
571-5558343-1	5558343-1	B	8/8	-	Cat 3, w/o Ground Options	4,27	3,83	3,39
571-5520251-4	5520251-4	B	8/8	-	Cat 3, w/o Ground Options	0,65	0,61	0,58
Without Panel Stops								
571-1116503-2	1116503-2	A	8/8	-	Shielded, Cat 5, PCB Ground Options	3,92	3,72	3,53
571-5558070-1	5558070-1	A	10/10	-	Shielded, Cat 3, Panel & PCB Ground Options	4,28	4,07	3,87
571-5569118-1	5569118-1	B	8/8	-	Cat 3, w/o Ground Options	1,41	1,26	1,14
571-5569564-1	5569564-1	A	8/8	Grn/Yel	Shielded, Cat 3, Panel & PCB Ground Options	4,19	3,98	3,78
571-1-406541-1	1-406541-1	A	8/8	-	Shielded, Cat 5, Panel & PCB Ground Options	2,05	2,00	1,90
571-2-406549-4	2-406549-4	A	8/8	Yel/Grn	Shielded, Cat 5, Panel & PCB Ground Options	2,45	2,22	2,04
571-5406299-1	5406299-1	A	8/8	-	Shielded, Cat 5, Panel & PCB Ground Options	3,02	2,87	2,73
571-2-406549-1	2-406549-1	A	8/8	Grn/Yel	Shielded, Cat 5, Panel & PCB Ground Options	1,75	1,70	1,65
571-5558341-1	5558341-1	B	8/8	-	Cat 5, w/o Ground Options	1,96	1,86	1,77
571-5558342-1	5558342-1	A	8/8	-	Shielded, Cat 5, PCB Ground Options	2,48	2,35	2,23
571-5558344-1	5558344-1	A	8/8	-	Shielded, Cat 5, Panel & PCB Ground Options	3,02	2,87	2,73



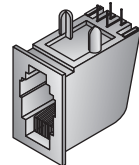
RoHS Compliant

B



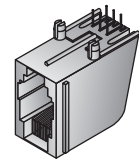
RoHS Compliant

C



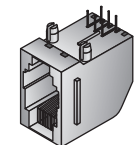
RoHS Compliant

D



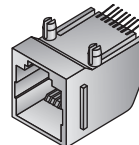
RoHS Compliant

E



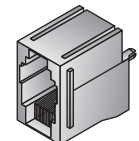
RoHS Compliant

F



RoHS Compliant

G



RoHS Compliant

Through-Hole, Standard Profile with Center Latch

For quantities greater than listed, call for quote.

MOUSER STOCK NO.	TE Part No.	Fig.	Positions-Contacts	Description	Price Each		
					1	25	50
Flanged							
571-5520241-2	5520241-2	C	4/4	Cat 3, w/o Ground Options	1,37	1,18	1,04
571-5520242-3	5520242-3	C	6/6	Cat 3, w/o Ground Options	1,02	0,912	0,794
571-5520243-4	5520243-4	C	8/8	Cat 3, w/o Ground Options	1,72	1,49	1,31
With Panel Stops							
571-5520249-2	5520249-2	D	4/4	Cat 3, w/o Ground Options	0,82	0,71	0,64
571-5520250-2	5520250-2	D	6/4	Cat 3, w/o Ground Options	0,48	0,47	0,46
571-5520250-3	5520250-3	D	6/6	Cat 3, w/o Ground Options	1,08	0,954	0,761
571-5520251-4	5520251-4	D	8/8	Cat 3, w/o Ground Options	0,65	0,61	0,58
571-5520252-4	5520252-4	D	8/8	Cat 3, w/o Ground Options, Keyed	0,83	0,79	0,754
Without Panel Stops							
571-555980-1	555980-1	D	4/4	Cat 3, w/o Ground Options	0,78	0,74	0,711
571-555979-1	555979-1	D	6/4	Cat 3, w/o Ground Options	0,61	0,58	0,556
571-5520470-3	5520470-3	D	6/6	Cat 3, w/o Ground Options	0,84	0,79	0,759
571-5520426-4	5520426-4	D	8/8	Cat 3, w/o Ground Options	0,91	0,86	0,824
571-5554517-1	5554517-1	D	8/8	Cat 3, w/o Ground Options, Keyed	2,24	1,98	1,57

Through-Hole, Low Profile, Solder PCB Termination

For quantities greater than listed, call for quote.

With Panel Stops								
571-5555163-1	5555163-1	E	6/6	Cat 3, w/o Ground Options	0,84	0,79	0,759	
571-5555163-2	5555163-2	E	6/4	Cat 3, w/o Ground Options	1,39	1,32	1,25	
571-5555162-1	5555162-1	E	8/8	Cat 3, w/o Ground Options	0,96	0,91	0,867	
571-5555166-1	5555166-1	E	8/8	Cat 3, w/o Ground Options, Keyed	0,73	0,70	0,68	
Without Panel Stops								
571-5555165-1	5555165-1	E	6/6	Cat 3, w/o Ground Options	0,62	0,56	0,511	
571-5555165-2	5555165-2	E	6/4	Cat 3, w/o Ground Options	0,62	0,60	0,582	
571-5555164-1	5555164-1	E	8/8	Cat 3, w/o Ground Options	0,73	0,70	0,665	
571-5555167-1	5555167-1	E	8/8	Cat 3, w/o Ground Options, Keyed	0,73	0,70	0,665	
571-5569026-1	5569026-1	E	6/6	Cat 3, w/o Ground Options	1,47	1,25	1,11	
Shielded								
571-5555154-1	5555154-1	E	6/6	Shielded, Cat 3, w/ PCB Ground Options	1,19	1,17	1,13	
571-5555153-1	5555153-1	E	8/8	Shielded, Cat 3, w/ PCB Ground Options	0,91	0,86	0,824	
571-5555141-1	5555141-1	E	8/8	Shielded, Cat 3, w/ Panel & PCB Ground Options	1,39	1,31	1,26	
571-5556591-1	5556591-1	E	8/8	Shielded, Cat 3, w/ PCB Ground Options, Keyed	1,28	1,00	0,907	
571-5555153-6	5555153-6	E	8/8	Shielded, Cat 3, w/ PCB Ground Options	1,19	1,08	0,997	
571-5555154-2	5555154-2	E	6/4	Shielded, Cat 3, w/ PCB Ground Options	1,12	1,06	1,01	

Surface Mount, Low Profile, Solder PCB Termination

For quantities greater than listed, call for quote.

With Panel Stops								
571-5555077-1	5555077-1	F	6/6	Cat 3, w/o Ground Options	1,56	1,48	1,41	
571-5555248-1	5555248-1	F	8/8	Cat 3, w/o Ground Options	1,97	1,77	1,63	
571-5558178-1	5558178-1	F	8/8	Shielded, Cat 3, PCB Ground Options	2,24	2,13	2,02	
Without Panel Stops								
571-5557314-1	5557314-1	F	6/6	Cat 3, w/o Ground Options	1,01	0,98	0,95	
571-5555764-1	5555764-1	F	8/8	Cat 3, w/o Ground Options	1,95	1,75	1,61	
571-5555078-1	5555078-1	F	8/8	Cat 3, w/o Ground Options, Keyed	2,29	1,90	1,72	

Single Port Top Entry Modular Jacks Through-Hole, Standard Profile

For quantities greater than listed, call for quote.

PCB Termination - Solder With Panel Stops								
571-5520257-2	5520257-2	G	4/4	Cat 3, w/o Ground Options	0,59	0,56	0,54	
571-5520258-2	5520258-2	G	6/4	Cat 3, w/o Ground Options	0,46	0,44	0,43	
571-5520258-3	5520258-3	G	6/6	Cat 3, w/o Ground Options	0,50	0,49	0,48	
571-55202594	5520259-4	G	8/8	Cat 3, w/o Ground Options	0,62	0,60	0,582	
571-5520260-4	5520260-4	G	8/8	Cat 3, w/o Ground Options, Keyed	0,83	0,79	0,756	
571-5557969-1	5557969-1	G	8/8	Cat 3, Panel & PCB Ground Options	1,12	1,01	0,91	
571-5557730-1	5557730-1	G	8/8	Shielded, Cat 3, Panel & PCB Ground Options, Keyed	1,42	1,35	1,29	
571-5557969-2	5557969-2	G	8/8	Shielded, Cat 3, Panel & PCB Ground Options	2,33	2,10	1,88	
571-5520258-3	5520258-3	G	6/6	Cat 3, w/o Ground Options	0,50	0,49	0,48	
Without Panel Stops								
571-5558872-1	5558872-1	G	4/4	Cat 3, w/o Ground Options	0,74	0,70	0,671	
571-5520425-2	5520425-2	G	6/4	Cat 3, w/o Ground Options	1,40	1,33	1,26	
571-5520425-3	5520425-3	G	6/6	Cat 3, w/o Ground Options	0,75	0,72	0,685	
571-5556416-1	5556416-1	G	8/8	Cat 3, w/o Ground Options	0,62	0,60	0,582	
571-5555799-1	5555799-1	G	8/8	Cat 3, w/o Ground Options, Keyed	1,13	1,08	1,02	
571-5520425-3	5520425-3	G	6/6	Cat 3, w/o Ground Options, Solder	0,75	0,72	0,685	
PCB Termination - Press-Fit								
571-6116418-1	6116418-1	G	8/8	Shielded, Cat 5, Panel & PCB Ground Options	3,86	3,39	2,87	
571-6116202-1	6116202-1	G	8/8	Shielded, Cat 5, PCB Ground Options, Press-Fit	2,90	2,76	2,62	

TE Modular Connectors

MODULAR TELEPHONE KEYSTONE KITS

These jacks are specially designed to snap into wallplates, panels and undercarpet fittings.

Features:

- Stuffer Cap: Clear polycarbonate
- AMP-BARREL Terminal: Tin plated phosphor bronze
- Label: Adhesive backed polyester
- Contacts: Nickel plated high strength copper alloy having selective gold plating in contact area and selective tin plating in AMP-BARREL terminal area.



RoHS Compliant

- Housing: Black thermoplastic, UL 94V-0
- All Keystone jacks are wired one-to-one

For quantities greater than listed, call for quote.

MOUSER STOCK NO.	TE Part No.	Fig.	Number of Pairs (AWG)	Wire Gauge AWG	Price Each		
					1	25	50
BM Approved Style Kits (Black)							
571-5539831	553983-1	A	3	22	4,55	4,10	3,68
571-5545461	554546-1	A	4	22	5,29	5,02	4,77
Commercial Style Kit (Black)							
571-5541711	554171-1	A	3	22-26	4,99	4,74	4,50
571-5545781	554578-1	A	4	22-26	5,19	4,93	4,68

STANDARD MODULAR PLUGS

Specifications:

- Electrical: Applications- 150 VAC max. at 1.5A @ 25°C, derated to .2A @ 70°C
- Durability: 750 mating cycles
- Temperature Rating: -40°C to +60°C
- Housing: Polycarbonate, UL 94V-0
- Terminal: .014 (.36) thick, phosphor bronze; underplated with 100µin Nickel and plated with 50µin Gold in contact region and gold flash on remainder of terminal.
- Terminal No. 1 is the terminal to the extreme left as you face the cable opening, latch tab down.

Features:

- One-piece construction with preloaded contacts
- FCC and EIA/TIA industry standard size and performance



RoHS Compliant

For quantities greater than listed, call for quote.

MOUSER STOCK NO.	TE Part No.	Fig.	No. of Positions	Contacts Loaded	Description	Keyed	Price Each		
							1	25	50
Unshielded									
571-6413343	5-641334-3	B	4	4	Flat Oval Stranded Line, handset plug	No	0,22	0,21	0,207
571-5563843	5-556384-3	B	6	4	Flat Oval Solid Line	No	0,44	0,35	0,334
571-56413353	5-641335-3	B	6	4	Flat Oval Stranded Line	No	0,22	0,21	0,207
571-5550423	5-555042-3	B	6	6	Flat Oval Solid Line	No	0,37	0,35	0,338
571-6413373	5-641337-3	B	6	6	Flat Oval Stranded Line	No	0,50	0,45	0,402
571-55547103	5-554710-3	B	6	6	Round Stranded Line	No	0,35	0,33	0,318
* 571-55554263	5-555426-3	B	6	6	Round Oval Solid Line	No	0,75	0,72	0,684
* 571-55551763	5-555176-3	B	6	6	Flat Oval Stranded Line	No	0,70	0,67	0,639
* 571-55551773	5-555177-3	B	6	6	Round Stranded Line	No	0,70	0,67	0,639
571-5547203	5-554720-3	B	8	8	Flat Oval Solid Line	No	0,56	0,53	0,512
571-5547393	5-554739-3	B	8	8	Flat Oval Stranded Line	No	0,69	0,66	0,629
571-55573153	5-557315-3	B	8	8	Round Solid Line	No	0,56	0,53	0,512
571-5541693	5-554169-3	B	8	8	Round Stranded Line	No	0,48	0,46	0,438
571-5541703	5-554170-3	B	8	8	Round Stranded Line	Yes	0,69	0,59	0,508
571-5557963-3	5-557963-3	B	10	10	Round Stranded Line	No	1,57	1,30	1,17
Shielded									
* 571-5551753	5-555175-3	C	6	6	Round Stranded Line	No	1,80	1,71	1,63
571-55695303	5-569530-3	C	8	8	Round Solid Line	No	1,79	1,70	1,62
571-55695503	5-569550-3	C	8	8	Round Solid Line	No	2,02	1,92	1,83

"CATEGORY 5e" MODULAR PLUGS - HIGH PERFORMANCE

Features:

- Exceeds EIA/TIA 568B requirements for Category 5e, 4-Pair (RJ45) UTP applications
- Utilizes a load bar for easier cable preparation and termination
- Load bar aids in maintaining 1/2" twist requirements



RoHS Compliant

For quantities greater than listed, call for quote.

MOUSER STOCK NO.	TE Part No.	Fig.	No. of Positions	Contacts Loaded	Description	Wire Gauge AWG	Keyed	Price Each		
								1	25	50
571-5558530-3	5-558530-3	D	8	8	Unshielded, Round Stranded Line	24	No	0,47	0,46	0,452
571-55692783	5-569278-3	D	8	8	Unshielded, Round Solid Line	24-28	No	0,83	0,79	0,756
571-55695523	5-569552-3	D	8	8	Shielded, Round Stranded Line	24-26	No	1,08	1,03	1,02
571-55695502	5-569550-2	D	8	8	Shielded, Round Solid Line	24-26	No	1,72	1,55	1,39

MODULAR COUPLERS

- Compact couplers for two modular plugs; couplers snap into 0.585 x 0.765 rectangular wallplate cutouts. Wired one-to-one.



RoHS Compliant

For quantities greater than listed, call for quote.

MOUSER STOCK NO.	TE Part No.	Fig.	No. of Positions	Type	Price Each		
					1	25	50
571-5550491	555049-1	E	6	Right Angle	3,83	3,64	3,46
571-5550511	555051-1	E	8	Right Angle	3,83	3,64	3,46
571-5550501	555050-1	F	6	In-Line	3,45	3,14	2,83
571-5550521	555052-1	F	8	In-Line	3,83	3,71	3,61
571-5553761	555376-1	F	8 Keyed	In-Line	4,70	4,46	4,24

"CATEGORY 5e" HIGH PERFORMANCE CRIMP TOOL

- For use with modular plugs
- Cuts, strips, and terminates cable

MOUSER STOCK NO.	TE Part No.	Description	Price Each
571-32316520	3-231652-0	8 position modular crimp tool with die	193,01

PROFESSIONAL HAND TOOLS

- Terminating tool with die

MOUSER STOCK NO.	TE Part No.	Description	Price Each
571-22316521	2-231652-1	8 position line	165,49
571-22316523	2-231652-3	4 position handset	146,25
571-2-231652-6	2-231652-6	6 position offset-latch	160,35
571-22316527	2-231652-7	6 position long body	160,35
571-22316528	2-231652-8	4, 6 position line	175,31

CABLE BOOTS

- For 8 position modular plugs



RoHS Compliant

MOUSER STOCK NO.	TE Part No.	Fig.	Color	Price Each		
				1	25	50
571-5582111	558211-1	G	Black	0,35	0,34	0,323
571-5582112	558211-2	G	Almond	0,45	0,40	0,37
571-5582115	558211-5	G	Blue	0,40	0,38	0,363

DIE SET ONLY FOR PROFESSIONAL TOOLS

MOUSER STOCK NO.	TE Part No.	Description	Color	Price Each
571-8534001	853400-1	8 position line	Black	52,43
571-8534003	853400-3	4 position handset	Green	52,43
571-853400-6	853400-6	6 position offset-latch	Orange	52,43
571-8534007	853400-7	6 position long body	Violet	52,43
571-853400-8	853400-8	4, 6 position line	Blue	52,43

HAND TOOL KITS

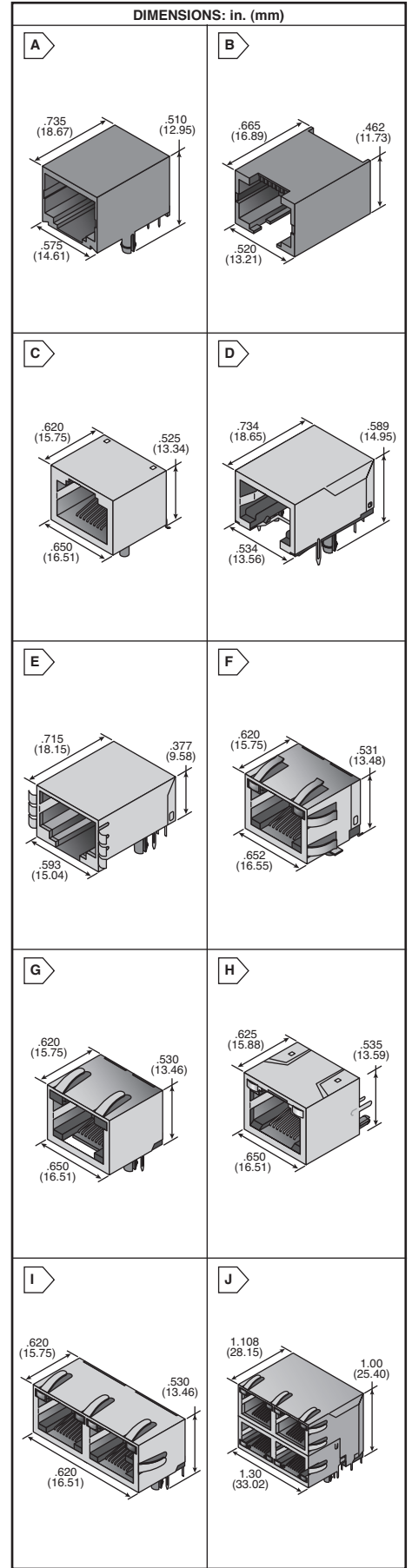
MOUSER STOCK NO.	TE Part No.	Description	Price Each
571-12316661	1-231666-1	Carrying case with frame, 4 position handset, 4, 6 and 8 position die set, set of replacement strip blades and small screwdriver.	365,93
571-2316625	231662-5	1 set of strip blades	5,07

RJ45 AND RJ11 MODULAR JACKS



For quantities greater than listed, call for quote.

MOUSER STOCK NO.	Amphenol Part No.	Fig.	Description	No. of Pos.	Price Each			
					1	10	50	100
523-FRJAE-448	FRJAE-448	A	RJ45 Filtered Only	4	1,72	1,52	1,32	1,21
523-FRJAE-468	FRJAE-468	A	RJ45 Filtered with Rear Tab Shield	4	1,52	1,29	1,20	1,13
523-FRJAE-438	FRJAE-438	A	RJ45 Shielded with Front Tab	4	1,74	1,56	1,42	1,31
523-FRJAE-418	FRJAE-418	A	RJ45 Filtered with Front Tab Shield	4	2,07	1,90	1,73	1,59
523-FRJAE-408	FRJAE-408	A	RJ45 Non-Filtered & Non-Shielded	4	1,05	0,968	0,898	0,833
523-FRJAE-488	FRJAE-488	A	RJ45 Shielded Only with Rear Tab	4	1,79	1,63	1,48	1,36
523-FRJAE-666	FRJAE-666	A	RJ11 Filtered with Rear Tab Shield	6	1,51	1,35	1,21	1,13
Low Profile SMT Series								
523-RJLSE-62061-01T	RJLSE-62061-01T	B	RJ11 Non-Shielded	6	0,88	0,73	0,685	0,611
523-RJLSE-62361-01T	RJLSE-62361-01T	B	RJ11 Shielded with PCB Tail	6	0,70	0,634	0,581	0,537
523-RJLSE-42081-01T	RJLSE-42081-01T	B	RJ45 Non-Shielded	8	1,00	0,898	0,841	0,714
523-RJLSE-42381-01T	RJLSE-42381-01T	B	RJ45 Shielded with PCB Tail	8	0,93	0,845	0,739	0,726
SMT								
523-RJSSE5080	RJSSE5080	C	RJ45 Non-Shielded Single Port	8	1,03	0,933	0,849	0,788
523-RJSSE5380	RJSSE5380	C	RJ45 Shielded Single Port	8	1,32	1,20	1,10	1,01
523-RJSSE5381	RJSSE5381	C	RJ45 Shlded Sngle Port w/Light Pipe	8	1,41	1,29	1,17	1,09
High Temp Thermoplastic Ultra Low Profile								
523-RJE05-188-1310	RJE05-188-1310	D	RJ45 Shielded Single Port	8	1,36	1,23	1,04	1,02
523-RJE05-188-0310	RJE05-188-0310	D	RJ45 Non-Shielded Single Port	8	1,07	0,977	0,889	0,835
523-RJE05-166-1310	RJE05-166-1310	D	RJ11 Shielded Single Port	6	0,95	0,88	0,821	0,767
523-RJE05-166-0310	RJE05-166-0310	D	RJ11 Non-Shielded Single Port	6	0,98	0,889	0,818	0,758
Ultra Low Profile								
523-RJULE-42182-01	RJULE-42182-01	E	RJ45 9.58 mm Profile Shielded	8	1,41	1,27	1,15	1,06



RJ45 AND RJ11 MODULAR JACKS WITH LEDS

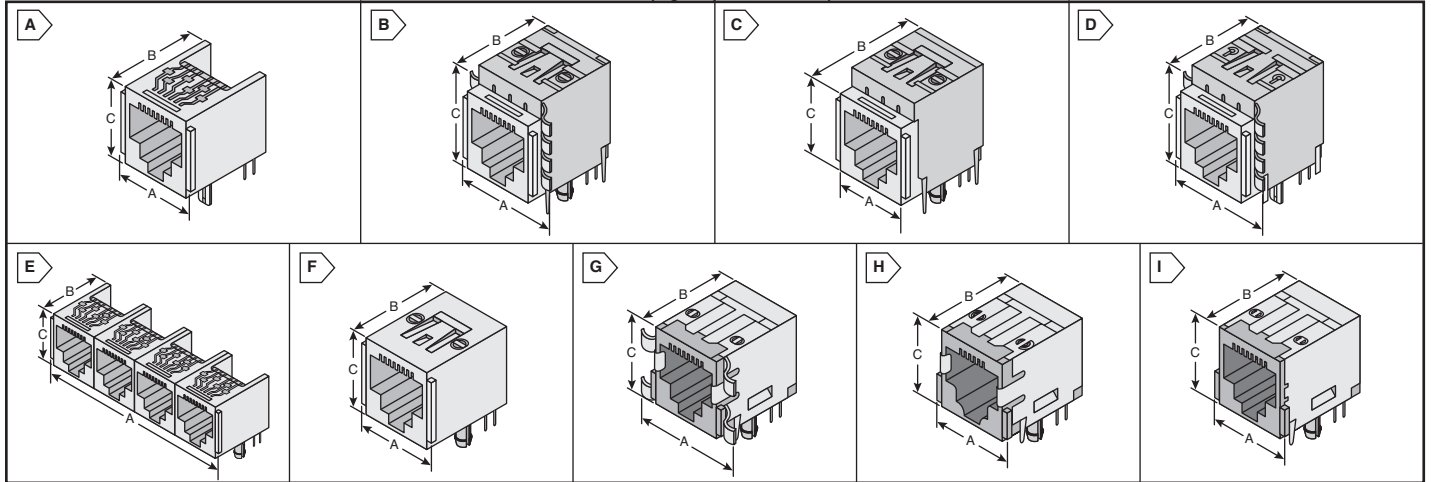
For quantities greater than listed, call for quote.

MOUSER STOCK NO.	Amphenol Part No.	Fig.	LED 2 Color	LED 1 Color	# of Ports	No. of Pos.	Price Each			
							1	10	50	100
RJ45 Shielded EMI Quiet Inverted SMT w/ LED Option										
523-RJCSE-5380-01	RJCSE-5380-01	F	-	-	1	8	1,10	0,994	0,906	0,854
523-RJCSE-5381-01	RJCSE-5381-01	F	Yellow	Green	1	8	1,19	1,08	0,986	0,924
523-RJCSE-5385-01	RJCSE-5385-01	F	Green	Green	1	8	1,19	1,08	0,986	0,924
RJVISTA® Non-shielded CAT 5E EMI Quiet w/ LED Option										
523-RJHSE-5080	RJHSE-5080	G	-	-	1	8	0,60	0,546	0,509	0,465
523-RJHSE-5081	RJHSE-5081	G	Yellow	Green	1	8	0,94	0,845	0,752	0,693
523-RJHSE-5084	RJHSE-5084	G	Green	Yellow	1	8	0,96	0,862	0,803	0,752
523-RJHSE-5085	RJHSE-5085	G	Green	Green	1	8	1,07	0,968	0,88	0,798
RJVISTA® Shielded CAT 5E EMI Quiet w/ LED Option										
523-RJHSE-5380	RJHSE-5380	G	-	-	1	8	0,94	0,86	0,847	0,77
523-RJHSE-5381	RJHSE-5381	G	Yellow	Green	1	8	2,51	2,26	1,97	1,78
523-RJHSE-5382	RJHSE-5382	G	-	Green	1	8	1,47	1,34	1,22	1,14
523-RJHSE-5384	RJHSE-5384	G	Green	Yellow	1	8	1,22	1,10	0,994	0,933
523-RJHSE-5385	RJHSE-5385	G	Green	Green	1	8	1,35	1,20	1,10	1,03
523-RJHSE-538A	RJHSE-538A	G	Grn/Yel	Grn/Yel	1	8	2,51	2,29	2,08	1,91
523-RJHSE-538B	RJHSE-538B	G	Red/Grn	Red/Grn	1	8	2,35	2,14	1,96	1,80
RJVISTA® Vertical Mount Shielded CAT 5E EMI Quiet w/ LED Option										
523-RJHSE-3380	RJHSE-3380	H	-	-	1	8	1,75	1,61	1,47	1,36
523-RJHSE-3381	RJHSE-3381	H	Yellow	Green	1	8	2,18	1,99	1,80	1,66
523-RJHSE-3384	RJHSE-3384	H	Green	Yellow	1	8	2,00	1,81	1,65	1,52
523-RJHSE-3385	RJHSE-3385	H	Green	Green	1	8	2,18	1,99	1,80	1,66
523-RJHSE-338A	RJHSE-338A	H	Grn/Yel	Grn/Yel	1	8	3,29	2,99	2,75	2,53
RJVISTA® Vertical Mount Non-shielded CAT 5E EMI Quiet w/ LED Option										
523-RJHSE-3080	RJHSE-3080	H	-	-	1	8	1,34	1,21	1,10	1,01
523-RJHSE-3081	RJHSE-3081	H	Yellow	Green	1	8	1,68	1,54	1,40	1,28
523-RJHSE-3085	RJHSE-3085	H	Green	Green	1	8	1,53	1,41	1,28	1,17
RJVISTA® Vertical Mount Shielded CAT 5E EMI Quiet w/ LED Option										
523-RJHSE-5381-02	RJHSE-5381-02	I	Yellow	Green	2	8	3,62	3,26	2,97	2,59
523-RJHSE-5381-03	RJHSE-5381-03	I	Yellow	Green	3	8	4,07	3,56	3,17	2,85
523-RJHSE-5381-04	RJHSE-5381-04	I	Yellow	Green	4	8	5,23	4,28	3,89	3,39
523-RJHSE-5384-02	RJHSE-5384-02	I	Green	Yellow	2	8	3,21	2,92	2,68	2,48
523-RJHSE-5384-04	RJHSE-5384-04	I	Green	Yellow	4	8	3,99	3,61	3,33	3,08
523-RJHSE-5384-08	RJHSE-5384-08	I	Green	Yellow	8	8	9,04	8,35	7,50	7,00
523-RJHSE-5385-02	RJHSE-5385-02	I	Green	Green	2	8	3,36	3,07	2,79	2,58
RJVISTA® Shielded and Stacked CAT 5E EMI Quiet Multiple Ports w/ LED Option										
523-RJSAE-5380-02	RJSAE-5380-02	J	-	-	2	8	2,13	1,94	1,77	1,64
523-RJSAE-5381-02	RJSAE-5381-02	J	Yellow	Green	2	8	5,39	4,83	4,07	3,73
523-RJSAE-5384-02	RJSAE-5384-02	J	Green	Yellow	2	8	4,68	4,24	3,90	3,61
523-RJSAE-5385-02	RJSAE-5385-02	J	Green	Green	2	8	5,67	5,00	4,32	3,96
523-RJSAE-538A-02	RJSAE-538A-02	J	Grn/Yel	Grn/Yel	2	8	6,47	5,88	5,17	4,63
523-RJSAE-5380-04	RJSAE-5380-04	J	-	-	4	8	6,78	6,16	5,42	4,85
523-RJSAE-5381-04	RJSAE-5381-04	J	Yellow	Green	4	8	8,66	8,64	7,40	6,60
523-RJSAE-538A-04	RJSAE-538A-04	J	Grn/Yel	Grn/Yel	4	8	10,01	9,25	8,30	7,74
523-RJSAE-5380-08	RJSAE-5380-08	J	-	-	8	8	11,39	10,52	9,44	8,82
523-RJSAE-5381-08	RJSAE-5381-08	J	Yellow	Green	8	8	12,46	11,71	10,62	10,26
523-RJSAE-5385-08	RJSAE-5385-08	J	Green	Green	8	8	13,72	12,90	11,69	11,28
523-RJSAE-538A-08	RJSAE-538A-08	J	Grn/Yel	Grn/Yel	8	8	16,11	15,16	13,74	13,03

TE Modular Jacks



This page of product is compliant.



INDUCTIVE FILTERING MODULAR RJ JACKS

Features:

- Contacts Material is Phosphor Bronze with 50 microinches gold plating and 100 microinches nickel barrier underplating
- Ferrites: High resistivity, nickel zinc ceramic
- Block Filter: Multi-aperture rectangular prism
- Housing Material - Glass-filled polyester (UL94V-0)
- Shield Material - Tin-plated copper alloy
- Sleeve filter and other configurations available
- Contact a Mouser representative for more information

For quantities greater than listed, call for quote.

MOUSER STOCK NO.	TE Part No.	Fig.	Pins	Filter Type	Shield Type	Dimensions: in. (mm)			Price Each			
						A	B	C	1	10	25	50
592-RJH-4L-B	RJH-4L-B	A	4	Block	-	.54 (13.72)	.81 (20.57)	.59 (14.99)	4,10	3,90	3,70	3,52
592-RJ45-8L-B	RJ45-8L-B	A	8	Block	-	.70 (17.78)	.81 (20.57)	.54 (13.72)	4,25	4,04	3,83	3,64
592-RJ11-4L1-B	RJ11-4L1-B	B	4	Block	1	.84 (21.34)	.86 (21.84)	.54 (13.72)	5,21	4,54	4,04	3,59
592-RJ11-6L2-B	RJ11-6L2-B	C	6	Block	2	.62 (15.75)	.90 (22.86)	.54 (13.72)	4,53	4,39	4,12	3,80
592-RJ45-8L1-B	RJ45-8L1-B	D	8	Block	1	.92 (23.37)	.86 (21.84)	.78 (19.81)	5,22	4,96	4,71	4,48

GANGED VERSION - INDUCTIVE FILTERING MODULAR RJ JACKS

Features:

- Available in RJ11 models with block inductors in gangs of 2, 4, 6
- Retrofits existing unfiltered ganged jack footprints
- Housing Material - Glass-filled polyester (UL94V-0)

For quantities greater than listed, call for quote.

MOUSER STOCK NO.	TE Part No.	Fig.	Pins	Dimensions: in. (mm)			Price Each			
				A	B	C	1	10	25	50
592-4RJ11-6L-B	4RJ11-6L-B	E	4	1.93 (49.02)	1.81 (45.97)	.59 (14.99)	13,11	12,43	11,89	11,29

FILTERED MODULAR JACK WITH ENHANCED PERFORMANCE

Features:

- Capacitance components enhance the filtering performance in the LC models
- The additional chip capacitors provide additional filtering on each line
- The series features shields with a board ground or spring finger panel interface
- Housing Material - Glass-filled polyester (UL94V-0)
- Shield Material - Tin-plated copper alloy
- Available with block or sleeve inductance

For quantities greater than listed, call for quote.

MOUSER STOCK NO.	TE Part No.	Fig.	Pins	Filter Type	Shield Type	Dimensions: in. (mm)			Price Each			
						A	B	C	1	10	25	50
592-RJ11-6LC1-B	RJ11-6LC1-B	B	6	Block	1	.84 (21.34)	.86 (21.84)	.54 (13.72)	8,83	8,01	7,28	6,88
592-RJ11-6LC2-B	RJ11-6LC2-B	C	6	Block	2	.62 (15.75)	.80 (20.32)	.54 (13.72)	8,83	8,01	7,28	6,88

LOW PROFILE FILTERED MODULAR RJ JACK

Features:

- Available with block or sleeve inductors and optional grounded shielding
- Sleeves is Single-aperture cylinders / Block is Multi-aperture rectangular prism
- The additional chip capacitors provide additional filtering on each line
- The series features shields with a board ground or spring finger panel interface
- Housing Material - Black glass-filled polyester (Valox 457)
- Shield Material - Tin-plated copper alloy

For quantities greater than listed, call for quote.

MOUSER STOCK NO.	TE Part No.	Fig.	Pins	Filter Type	Shield Type	Dimensions: in. (mm)			Price Each			
						A	B	C	1	10	25	50
592-RJ11-6N-B	RJ11-6N-B	F	6	Block	-	.62 (15.75)	.71 (18.03)	.52 (13.21)	3,30	3,13	2,98	2,83
592-RJ11-6N3-B	RJ11-6N3-B	G	6	Block	3	.91 (23.11)	.74 (18.80)	.55 (13.97)	3,62	3,30	3,21	3,04
592-RJ11-6N4-B	RJ11-6N4-B	H	6	Block	4	.62 (15.75)	.74 (18.80)	.55 (13.97)	3,88	3,69	3,50	3,33
592-RJ45-8N-B	RJ45-8N-B	F	8	Block	-	.91 (23.11)	.74 (18.80)	.55 (13.97)	3,30	3,13	2,98	2,83
592-RJ45-8N3-B	RJ45-8N3-B	G	8	Block	3	.99 (25.15)	.74 (18.80)	.63 (16.00)	3,88	3,69	3,50	3,33
592-RJ45-8N3-S	RJ45-8N3-S	G	8	Sleeve	3	.99 (25.15)	.74 (18.80)	.63 (16.00)	4,10	3,90	3,70	3,52
592-RJ45-8N4-B	RJ45-8N4-B	I	8	Block	4	.70 (17.78)	.74 (18.80)	.63 (16.00)	3,88	3,69	3,50	3,33
592-RJ45-8N4-S	RJ45-8N4-S	I	8	Sleeve	4	.70 (17.78)	.74 (18.80)	.63 (16.00)	4,10	3,90	3,70	3,52

STANDARD UNFILTERED MODULAR RJ JACK

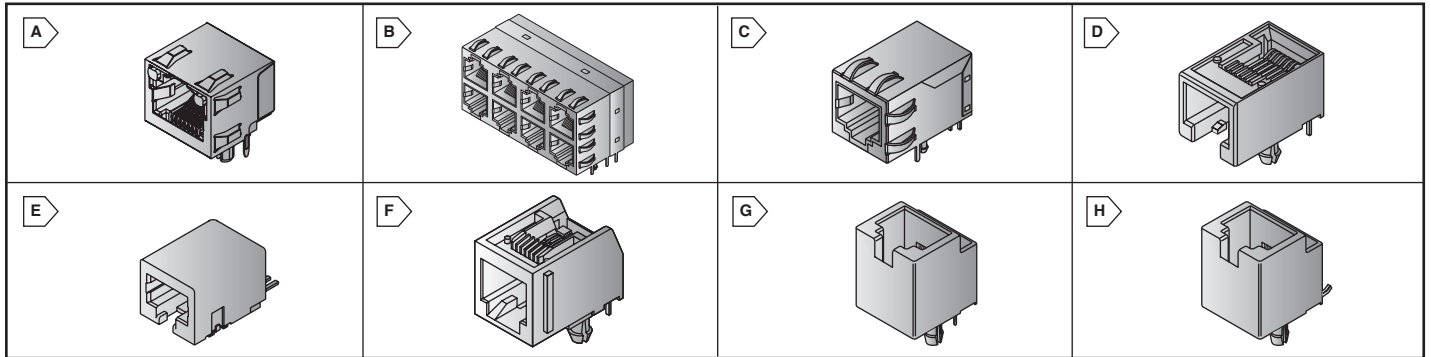
For quantities greater than listed, call for quote.

X Series												
MOUSER STOCK NO.	TE Part No.	Fig.	Pins	Filter Type	Shield Type	Dimensions: in. (mm)			Price Each			
						A	B	C	1	10	25	50
592-RJ11-6X	RJ11-6X	F	6	Unfiltered	-	.62 (15.75)	.81 (20.57)	.52 (13.21)	2,95	2,67	2,43	2,22
592-RJ45-8X	RJ45-8X	A	8	Unfiltered	-	.70 (17.78)	.81 (20.57)	.54 (13.72)	2,46	2,28	2,19	2,05
Z Series - Low Profile												
592-RJ45-8Z	RJ45-8Z	F	8	Unfiltered	-	.91 (23.11)	.74 (18.80)	.55 (13.97)	2,71	2,48	2,26	2,08
592-RJ45-8Z4	RJ45-8Z4	I	8	Unfiltered	4	.62 (15.75)	.74 (18.80)	.55 (13.97)	3,59	3,36	3,18	2,86

MOLEX Modular Jacks

molex
one company a world of innovation

RoHS Compliant This product is RoHS compliant.



RIGHT-ANGLE MODULAR JACKS

Features and Specifications:

43860-xxxx

- RJ-45 version meets Category 5 for Fast Ethernet
- Plug latch on top
- Enhanced grounding tabs on shield
- Electrical Voltage: 125V
- Current: 1.5A max.
- Housing: Black glass-filled, high-temperature nylon, UL 94V-0
- Operating Temperature: -40°C to +80°C

43202-xxxx

- Ultra low profile
- Enhanced panel grounding tabs on shielding RJ-45 configuration
- Enclosed top
- Electrical Voltage: 125V
- Current: 1.5A max.
- Housing: Black glass-filled nylon, UL 94V-0
- Operating Temperature: -40°C to +80°C

44144-xxxx

- Side-by-side stackable
- Enclosed top
- 100% electrically tested
- .006" max. "nail-to-tail" coplanarity
- Electrical Voltage: 125V
- Current: 1.5A max.
- Housing: Black glass-filled, high-temperature nylon, UL 94V-0
- Operating Temperature: -40°C to +80°C

44170-xxxx

- Exceeds Category 5 performance
- Distinctive lightpipe arrow indicators
- Lower electrical noise than LED offerings
- 30% fewer leads than LED offerings
- Voltage: 125V
- Current: 1.5A max.
- Housing: Black glass-filled Polyester, UL 94V-0
- Operating Temperature: -40°C to +80°C

95501-xxxx

- Very-low profile - about 3/4 that of industry standard
- Foot pattern identical to industry standard
- High reliability, square contact
- Voltage: 125V
- Current: 1.5A max.
- Housing: Black polyester, UL 94V-0
- Operating Temperature: -40°C to +80°C

95009-xxxx

- 50µ" Gold in contact area
- Voltage: 125V
- Current: 1.5A max.
- Housing: Black glass-filled polyester, UL 94V-0
- Operating Temperature: -40°C to +80°C



RoHS Compliant

RoHS Compliant per Mouser documentation

For quantities greater than listed, call for quote.

MOUSER STOCK NO.	Molex Part No.	Fig.	Positions-Contacts	Description	Overall Length: mm (in.)	First-to-Last Circuit: mm (in.)	Price Each			
							1	25	50	100
Low Profile, Inverted with Lightpipes										
538-43860-0007	43860-0007	A	8/8	Unshielded	15.75 (.620)	7.11 (.280)	2,00	1,96	1,92	1,89
538-43860-0010	43860-0010	A	8/8	Shielded	16.38 (.645)	7.11 (.280)	3,86	3,86	3,86	3,42
High Speed, Stacked, Multi-Port with Lightpipes										
538-44170-0001	44170-0001	B	8/8	Shielded	59.18 (2.33)	8.89 (.350)	24,91	23,67	22,48	21,36
Low Profile, Inverted										
538-43860-0002	43860-0002	A	6/6	Unshielded	15.75 (.620)	5.08 (.200)	1,14	1,09	1,03	0,985
538-43860-0001	43860-0001	A	8/8	Unshielded	15.75 (.620)	7.11 (.280)	1,17	1,15	1,12	1,10
538-43860-0014	43860-0014	A	6/6	Shielded with All Panel Grounding Tabs	16.38 (.645)	5.08 (.200)	1,42	1,35	1,28	1,22
538-43860-0013	43860-0013	A	8/8	Shielded with All Panel Grounding Tabs	16.38 (.645)	7.11 (.280)	2,10	2,06	2,02	1,98
538-43860-0005	43860-0005	A	6/6	Shielded with Offset Panel Grounding Tabs	16.38 (.645)	5.08 (.200)	2,39	2,14	2,08	1,84
538-43860-0004	43860-0004	A	8/8	Shielded with Offset Panel Grounding Tabs	16.38 (.645)	7.11 (.280)	2,61	2,31	2,16	1,92
Low Profile										
538-43202-4101	43202-4101	C	4/4	Unshielded	11.18 (.440)	3.81 (.150)	1,43	1,36	1,29	1,22
538-43202-6101	43202-6101	C	6/6	Unshielded	13.21 (.520)	6.35 (.250)	1,11	1,05	1,00	0,952
538-43202-8104	43202-8104	C	8/8	Unshielded	15.24 (.600)	8.89 (.350)	1,22	1,00	0,888	0,747
538-43202-8817	43202-8817	C	8/8	Shielded with Top Panel Grounding Tabs	15.85 (.624)	8.89 (.350)	2,82	2,43	2,25	1,73
538-95501-2441	95501-2441	D	4/4	Unshielded	11.18 (.440)	3.81 (.150)	0,75	0,68	0,563	0,53
538-95501-2641	95501-2641	D	6/4	Unshielded	13.21 (.520)	3.81 (.150)	0,82	0,78	0,742	0,642
538-95501-2661	95501-2661	D	6/6	Unshielded	13.21 (.520)	6.35 (.250)	1,66	1,64	1,60	1,47
538-95501-2881	95501-2881	D	8/8	Unshielded	15.24 (.600)	8.89 (.350)	0,89	0,828	0,669	0,548
Low Profile, SMT										
538-95501-6669	95501-6669	D	6/6	Unshielded	13.21 (.520)	6.35 (.250)	1,24	1,01	0,888	0,769
538-95501-6889	95501-6889	D	8/8	Unshielded	15.24 (.600)	8.89 (.350)	1,31	1,19	1,05	0,801
Low Profile, SMT with Flush Fitting Nails										
538-44144-0005	44144-0005	E	6/6	Unshielded	13.21 (.520)	6.35 (.250)	1,58	1,57	1,57	1,57
538-44144-0003	44144-0003	E	8/8	Unshielded	15.24 (.600)	8.89 (.350)	1,68	1,65	1,61	1,58
Standard Profile										
538-95009-2661	95009-2661	F	6/6	Unshielded, Flush Mount	13.21 (.520)	6.35 (.250)	2,51	2,49	2,44	2,20
538-95009-2881	95009-2881	F	8/8	Unshielded, Flush Mount	15.24 (.600)	8.89 (.350)	1,99	1,98	1,95	1,81
538-95009-2447	95009-2447	F	4/4	Unshielded, Flangeless	11.18 (.440)	3.81 (.150)	0,73	0,675	0,65	0,606
538-95009-2647	95009-2647	F	6/4	Unshielded, Flangeless	13.21 (.520)	3.81 (.150)	0,78	0,695	0,671	0,639
538-95009-2667	95009-2667	F	6/6	Unshielded, Flangeless	13.21 (.520)	6.35 (.250)	0,95	0,91	0,865	0,822
538-95009-2887	95009-2887	F	8/8	Unshielded, Flangeless	15.24 (.600)	8.89 (.350)	1,05	0,971	0,923	0,888

VERTICAL MODULAR JACKS

Features:

- Industry compatible
- High reliability, square contact
- Foot patterns identical to industry standard jacks
- Low profile 12.70mm (0.5")

Specifications:

- Voltage: 125V
- Current: 1.5A
- Housing (95003-2xxx): Black Polyester, UL 94V-0
- Housing (95003-6xxx): Black Polyamide, UL 94V-0
- Contact: Phosphor Bronze
- Operating Temperature: -40°C to +80°C

For quantities greater than listed, call for quote.

Standard Profile with Small Panel Cutout										
538-95503-2441	95503-2441	G	4/4	Unshielded	11.18 (.440)	3.81 (.150)	1,69	1,39	1,27	1,02
538-95503-2661	95503-2661	G	6/6	Unshielded	13.21 (.520)	6.35 (.250)	1,18	1,06	0,86	0,699
538-95503-2881	95503-2881	G	8/8	Unshielded	15.24 (.600)	8.89 (.350)	1,33	1,21	1,01	0,789
Standard Profile, SMT with Small Panel Cutout										
538-95503-6671	95503-6671	H	6/6	Unshielded	13.21 (.520)	6.35 (.250)	1,27	1,11	0,974	0,78
538-95503-6891	95503-6891	H	8/8	Unshielded	15.24 (.600)	8.89 (.350)	1,24	1,09	0,996	0,765

© Copyright 2012 Mouser Electronics

All Prices
In EURO

© Copyright 2012 Mouser Electronics

I/O Connectors

RoHS Compliant This product is RoHS compliant.

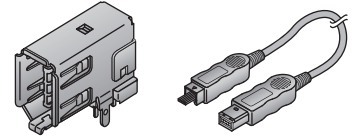
EDAC USB 2.0 CONNECTORS AND CABLE ASSEMBLY

- Industry standard data transfer devices
- Current Rating: 1A Max.
- Temperature Range: -55°C to +85°C
- Minimum Mating Cycles: 1500 per EIA 364-09
- Voltage Rating: 30VACrms max.
- 30µm Gold



A

B

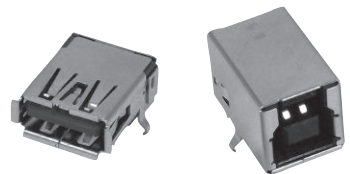


For quantities greater than listed, call for quote.

MOUSER STOCK NO.	EDAC Part No.	Fig.	No. of Ports	Type	Contact Orientation	Dual Stack	Contact Style	Price Each			
								1	25	50	100
587-690-004-621-013	690-004-621-013	A	1	A	Horizontal	No	Right Angle	0,82	0,733	0,659	0,604
587-690-004-621-023	690-004-621-023	A	1	B	Horizontal	No	Right Angle	0,73	0,668	0,615	0,572
587-690-004-660-013	690-004-660-013	A	1	A	Vertical	No	Straight	0,75	0,698	0,641	0,608
587-690-004-660-023	690-004-660-023	A	1	B	Vertical	No	Straight	0,77	0,685	0,616	0,562
587-690-004-661-013	690-004-661-013	A	1	A	Vertical	No	Right Angle	1,02	0,949	0,866	0,809
587-690-008-621-013	690-008-621-013	A	2	A	Horizontal	Yes	Right Angle	1,13	1,06	0,957	0,891
Cable Assembly											
587-628-000-943	628-000-943	B	USB A male to B male Cable Assembly - 1.8 meters					3,59	3,19	2,87	2,61

C

D



EDAC USB 3.0 CONNECTORS

- USB 2.0 and 3.0 compliant
- Super speed interface up to 5 Gbps data rate
- Metal Shielding for EMI, RFI and ESD protection
- Backward compatible with USB 2.0



For quantities greater than listed, call for quote.

MOUSER STOCK NO.	EDAC Part No.	Fig.	No. of Ports	Type	Contact Orientation	Dual Stack	Contact Style	Price Each			
								1	25	50	100
587-690-009-521-013	690-009-521-013	C	1	A	Horizontal	No	Right Angle	1,80	1,51	1,33	1,19
587-690-009-621-013	690-009-621-013	C	1	A	Horizontal	No	Right Angle	2,32	1,91	1,58	1,44
587-690-009-521-900	690-009-521-900	D	1	B	Horizontal	No	Right Angle	2,19	1,84	1,62	1,44
587-690-009-621-900	690-009-621-900	D	1	B	Horizontal	No	Right Angle	3,20	2,69	2,38	2,11

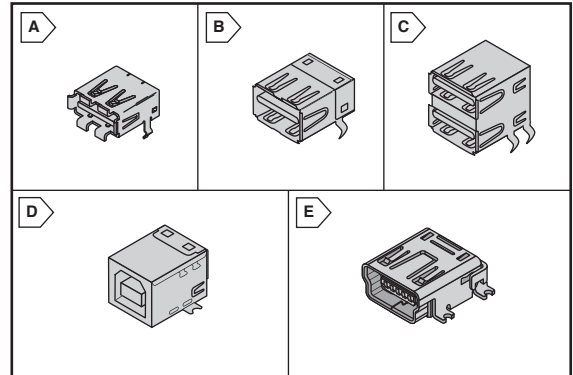
MILL-MAX® USB RECEPTACLES FOR THRU-HOLE & SURFACE MOUNT

- Plug retention tabs
- Kinked locating legs for secure PCB termination
- Fully compatible with USB 1.0 & 2.0 specifications
- Shell plating: tin over nickel
- Contact finish: 30µm selective gold, tin/copper tail
- Housing material: high temp thermoplastic rated UL94V-0
- RoHS compliant per Mill-Max documentation



For quantities greater than listed, call for quote.

MOUSER STOCK NO.	Mill Max Part No.	Fig.	Description	Price Each			
				1	50	100	250
USB							
575-4300400	896-43-004-00-000000	A	Type A Receptacle, Single, SMT	1,21	1,03	0,938	0,89
575-4300490	896-43-004-90-000000	B	Type A Receptacle, Single, Thru Hole	0,82	0,78	0,74	0,707
575-4300890	896-43-008-90-000000	C	Type A Receptacle, Double, Thru Hole	1,34	1,27	1,20	1,14
575-8974349	897-43-004-90-000000	D	Type B Receptacle, Single, Thru Hole	1,05	0,89	0,745	0,707
Mini-USB							
575-89643005	896-43-005-00-100001	E	Type A Receptacle, Single, SMT	0,99	0,883	0,85	0,759
575-89743005	897-43-005-00-100001	E	Type B Receptacle, Single, SMT	0,88	0,784	0,734	0,677



Data/Network/Telecom

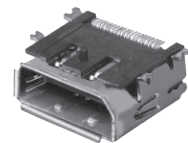
ADAM TECH DISPLAY PORT CONNECTORS

- Features:**
- Ultra small size package
 - Hot Pluggable
 - Supports color depth of 6, 8, 10, 12 and 16 bits per color components
 - Supports a maximum of 8.64 Gbit/s data rate over a 2 meter cable
 - Can be used in applications up to 15 meters (49.21 feet)

For quantities greater than listed, call for quote.

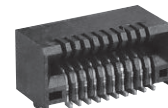
MOUSER STOCK NO.	Adam Tech Part No.	Fig.	Description	Price Each			
				1	50	100	250
737-DPC-F-S-RA	DPC-F-S-RA	A	Display Port R/A Thru-hole	1,67	1,52	1,37	1,27
737-DPC-F-S-RA-SMT	DPC-F-S-RA-SMT	A	Display Port R/A SMT	1,72	1,56	1,40	1,30
737-DPC-F-S-RA-TSMT	DPC-F-S-RA-TSMT-MF	A	Display Port R/A True SMT	1,84	1,67	1,50	1,39

A



True SMT Shown

B



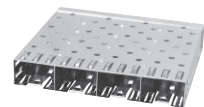
ADAM TECH SMALL FORM FACTOR PLUGGABLE CONNECTORS AND CAGES

- Features:**
- Industry standard compatibility
 - Alignment posts on SMT connector allow for PC board stability
 - Standoffs allow for easy board cleaning
 - Single, stacked or ganged cages
 - Cages have multiple ground points for EMI shielding

For quantities greater than listed, call for quote.

MOUSER STOCK NO.	Adam Tech Part No.	Fig.	Description	Price Each			
				1	50	100	250
737-SFF-20-SG	SFF-20-SG	B	SFF Connector	1,11	0,998	0,908	0,842
737-SFC-1	SFC-1	C	SFP Cage 1 Port	1,11	0,998	0,908	0,842
737-SFC-4	SFC-4	C	SFP Cage 4 Port	7,09	6,39	5,81	5,37
737-SFCJ-2	SFCJ-2	C	SFP Cage 2x1	10,30	9,29	8,45	7,81
737-SFCJ-8	SFCJ-8	C	SFP Cage 2x4	36,22	32,60	29,88	27,17

C



4 Port Shown

KYCON I/O Connectors

RoHS Compliant This product is RoHS compliant.



KYCON USB 3.0 CONNECTORS

Features:

- PCB Mount and Surface Mount Available
- Compatible With Many Computer Peripherals
- A and B Types Available
- Supports Hot Plugging
- Contact Area with Gold Plating
- CSA/INRTL Certified File No. LR78160
- Blue Insulator

Specifications:

- Rated Voltage : 30V AC (rms)
- Contact Current Rating : 1 Amp Max.
- Contact Resistance : 30 Milliohms Max.
- Insulation Resistance : 1000 Megohms Min.
- Dielectric Withstanding Voltage : 750V AC
- Operating Temperature : -25°C to +80°C



RoHS Compliant

For quantities greater than listed, call for quote.

MOUSER STOCK NO.	Kycon Part No.	Fig.	Description	Price Each		
				1	25	100
806-KUSBX-AS1N9-1-BL	KUSBX-AS1N9-1-BL	A	Type A, 2.15mm pin length, R/A, gold flash	1,76	1,21	1,08
806-KUSBX-AS1N91BL30	KUSBX-AS1N9-1-BL30	A	Type A, 2.15mm pin length, R/A, 30µ" gold	1,76	1,21	1,08
806-KUSBX-BS1N9-1-BL	KUSBX-BS1N9-1-BL	B	Type B, 2.80mm pin length, R/A, gold flash	1,94	1,65	1,54
806-KUSBX-BS1N91BL30	KUSBX-BS1N9-1-BL30	B	Type B, 2.80mm pin length, R/A, 30µ" gold	2,21	1,89	1,75
806-KUSBVX-BS1N9BL30	KUSBVX-BS1N9-BL30	C	Type B, vertical top entry, 30µ" gold	2,06	1,74	1,52
806-KUSBX-AS2N91BL30	KUSBX-AS2N9-1-BL30	D	Type A, stacked, 2.15mm pin length, R/A, 30µ" gold	2,16	1,83	1,59

KYCON MICRO USB 3.0 CONNECTORS

Features:

- Also known as SuperSpeed USB
- More compact footprint than the mini-USB
- Meets the USB-IF 3.0 Specification
- Stainless steel shell, which yields 10,000 insertion cycles
- Used in portable devices such as Mobile phones, PDAs, and digital cameras.

Specifications:

- Rated Current: 1.8A(only Pin 1,5); 0.25A for other Pins
- Insulation Resistance: 100 mohms min.
- Contact Resistance: 50 mohms max.
- Dielectric Withstanding Voltage: 100V AC for 1 min.
- Operating Temperature: -40°C to +85°C



RoHS Compliant

For quantities greater than listed, call for quote.

MOUSER STOCK NO.	Kycon Part No.	Fig.	Description	Price Each		
				1	25	100
806-KMMXAB10SMT1SB30	KMMX-AB10-SMT1SB30TR	E	Type AB, SMT with T/H shield tabs, 30µ"	1,90	1,61	1,39
806-KMMXAB10SMT4SB30	KMMX-AB10-SMT4SB30TR	F	Type AB, SMT with SMT shield tabs, 30µ"	1,90	1,61	1,39
806-KMMXB10SMT1SB30	KMMX-B10-SMT1SB30TR	E	Type B, SMT with T/H shield tabs, 30µ"	1,90	1,61	1,39
806-KMMXB10SMT4SB30	KMMX-B10-SMT4SB30TR	F	Type B, SMT with SMT shield tabs, 30µ"	1,90	1,61	1,39

KYCON SURFACE MOUNT MICRO-USB SOCKET CONNECTORS

Features:

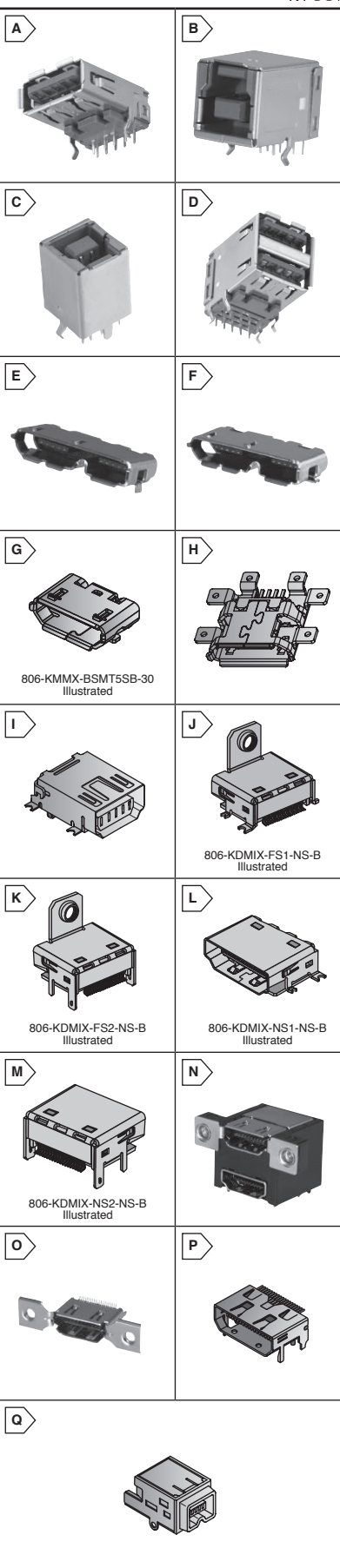
- More compact footprint than mini-USB
- Stainless Steel shell yields more than 10,000 cycles
- Contacts - Copper Alloy, 30u" Gold plated
- RoHS Compliance per Kycon Documentation



RoHS Compliant

For quantities greater than listed, call for quote.

MOUSER STOCK NO.	Kycon Part No.	Fig.	Insulator Color	Type	Price Each		
					1	25	100
806-KMMX-ABSMT5SG-30	KMMX-ABSMT5SG-30TR	G	Gray	AB	0,95	0,853	0,814
806-KMMX-BSMT5SB-30	KMMX-BSMT5SB-30TR	G	Black	B	0,92	0,82	0,786
806-KMMLXBSMT5SB30TR	KMMLX-BSMT5SB-30TR	H	Black	Mid Mount B	0,84	0,787	0,738



KYCON SURFACE MOUNT MINI-USB SOCKET CONNECTORS

Features:

- Overall size 1/3 of standard USB
- Contacts: Phosphor bronze, 30µ" gold plated
- High Temperature Thermoplastic, UL94V-0 Rated
- RoHS Compliance per Kycon Documentation
- Insulation resistance: 1000 MΩ min.
- Contact current rating: 1A max.
- Contact resistance: 50 mΩ max.
- Shell: Copper alloy
- Voltage rating: 30VAC
- Meets USB 2.0 specification



RoHS Compliant

For quantities greater than listed, call for quote.

MOUSER STOCK NO.	Kycon Part No.	Fig.	Insulator Color	Type	Price Each		
					1	25	100
806-KMAXSMT5SS30TR	KMAX-SMT-5S-S30TR	I	White	A	2,06	1,61	1,45
806-KMABXSMT5SS30T	KMABX-SMT-5S-S-30TR	I	Gray	AB	3,35	2,62	1,85
806-KMBXSMT5SS30TR	KMABX-SMT-5S-S30TR	I	Black	B	2,89	2,73	1,93
806-KMBXSMT4SS30T	KMBX-SMT4-5S-S-30TR	I	Black	B	2,45	2,32	1,64

KYCON HDMI CONNECTORS

Features:

- Rated Voltage: 40V AC (R.M.S)
- Contact Current Rating: 0.5A Min.
- Dielectric Withstanding: 500V AC (unmated)/300V AC (mated)
- Plating: 30µ" Gold plated over Nickel
- Shell: Copper Alloy, Solderable Nickel plated
- Insulator: UL94V-0 Rated Thermoplastic
- Operating Temperature: -25°C to 85°C
- RoHS Compliance per Kycon Documentation



RoHS Compliant

For quantities greater than listed, call for quote.

MOUSER STOCK NO.	Kycon Part No.	Fig.	Insulator Color	Price Each		
				1	25	100
806-KDMIX-FS1-NS-B	KDMIX-FS1-NS-B	J	Receptacle, Type A, SMT shield with Flange	1,92	1,74	1,57
806-KDMIX-FS2-NS-B	KDMIX-FS2-NS-B	K	Receptacle, Type A, Dip shield with Flange	2,63	2,53	1,85
806-KDMIX-FS2-WS-B	KDMIX-FS2-WS-B	K	Receptacle, Type A, Dip shield w/Top Spring & Flange	2,67	2,41	2,03
806-KDMIX-NS1-NS-B	KDMIX-NS1-NS-B	L	Receptacle, Type A, SMT shield	1,83	1,68	1,49
806-KDMIX-NS2-NS-B	KDMIX-NS2-NS-B	M	Receptacle, Type A, TH shield, no Top Spring	2,63	2,53	1,85
806-KDM42XFS2WSB15	KDM42X-FS2-WS-B15	N	Dual stack with shield	5,32	4,80	4,43
806-KDMXFS1VWSB30	KDMIX-FS1V-WS-B30	O	Vertical SMT with Flange	2,69	2,43	2,24
806-KMDMIXNS3AWSBTR	KMDMIX-NS3A-WS-BTR	P	Mini Recept., R/A SMT, Top Spring w/standard brd lock	3,57	3,26	3,00
806-KMDMIXNS3BWSBTR	KMDMIX-NS3B-WS-BTR	P	Mini Recept., R/A SMT, Top Spring w/indented brd lock	3,03	2,77	2,55

KYCON 4P MINI IEEE 1394 CONNECTORS

Features:

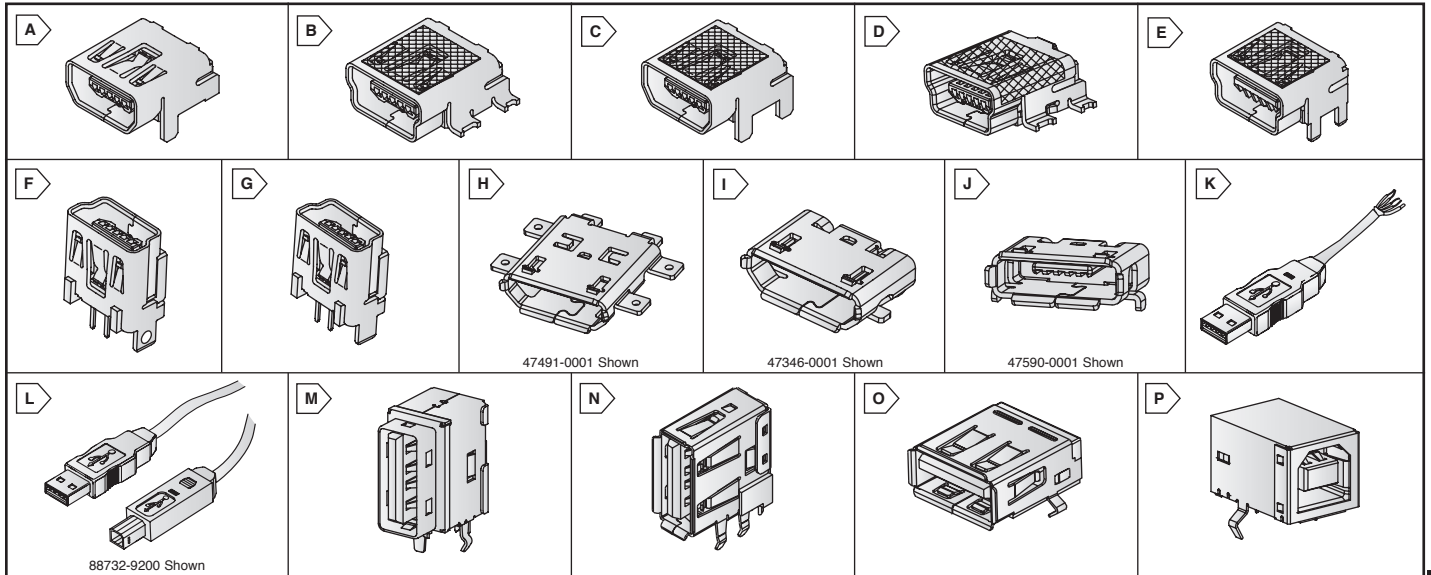
- Insulator: PBT thermoplastic, black, UL94V-0 rated
- Shell: Stainless steel, tin plating
- Dielectric withstanding voltage: 750VAC for 1 min.
- RoHS Compliance per Kycon Documentation
- Rated up to 400Mbps
- Contacts: Phosphor bronze, 30µ" gold plating
- Insertion force: 2kg max.
- Capacitance: 2pF max.
- Withdrawal force: 0.5kg min.
- Voltage rating: 30VAC



RoHS Compliant

For quantities greater than listed, call for quote.

MOUSER STOCK NO.	Kycon Part No.	Fig.	Insulator Color	Price Each		
				1	25	100
806-KMFSX-PR-200B-30	KMFSX-PR-200B-30	Q	PCB Mount	1,75	1,56	1,39
806-KMFSX-PR-201B-30	KMFSX-PR-201B-30	Q	PCB Mount	1,75	1,56	1,39



USB ON-THE-GO (OTG) CONNECTORS AND CABLE ASSEMBLIES

Molex's new USB On-The-Go (OTG) connectors and cable assemblies help enable mobile devices such as digital cameras, PDAs, audio players, printers and cellular phones to exchange data directly without the need for a host PC. All Molex OTG connectors are compatible with the On-The-Go supplement (Rev. 1.0) to the USB 2.0 specification. Along with enabling mobile products to communicate with one another, OTG also enables mobile products to become "dual-role" devices, serving as either host or peripheral.

Features:

- Compact size for space savings
- Fully shielded for EMI/RFI protection
- Operates at speeds up to 480Mbps
- 5000 cycles for rugged durability

Specifications:

- Current: 1.0A
- Voltage Rating: 30V / Micro: 100VAC (RMS)
- Operating Temperature: 0°C to +50°C



RoHS Compliant

Mini-AB Receptacles

MOUSER STOCK NO.	Molex Part No.	Fig.	No. of Circuits	Description	Shell Tabs	Termination Type	Price Each			
							1	10	25	50
538-56579-0519	56579-0519	A	5	Right-Angle	Through-Hole	Through-Hole	3,39	2,99	2,69	2,43
538-56579-0576	56579-0576	B	5	Right-Angle	SMT	SMT	2,79	2,18	1,87	1,84

For quantities greater than listed, call for quote.

Mini-B Receptacles

MOUSER STOCK NO.	Molex Part No.	Fig.	No. of Circuits	Description	Shell Tabs	Termination Type	Price Each			
							1	10	25	50
538-54819-0519	54819-0519	A	5	Right-Angle	Through-Hole	Through-Hole	2,15	1,76	1,64	1,45
538-54819-0589	54819-0589	C	5	Right-Angle	Through-Hole	SMT	1,67	1,52	1,42	1,30
538-54819-0572	54819-0572	B	5	Right-Angle	SMT	SMT	1,69	1,40	1,27	1,21
538-67503-1020	67503-1020	D	5	Right-Angle (Back Cover)	SMT	SMT	1,33	1,10	0,967	0,887
538-51387-0578	51387-0578	E	5	Right-Angle	Through-Hole	SMT	2,25	1,82	1,70	1,51
538-500075-0517	500075-0517	F	5	Vertical	Through-Hole	Through-Hole	7,83	6,26	5,71	4,96
538-500075-1517	500075-1517	G	5	Vertical	Through-Hole	Through-Hole	4,33	3,96	3,62	3,57

For quantities greater than listed, call for quote.

Micro-USB Receptacles

MOUSER STOCK NO.	Molex Part No.	Fig.	No. of Circuits	Description	Shell Tabs	Termination Type	Max. Height (mm)	Max. Width (mm)	Max. Depth (mm)	Price Each			
										1	10	25	50
Type B													
538-47491-0001	47491-0001	H	5	Right-Angle	Middle Mount	SMT	2.95	11.00	9.15	1,39	1,28	1,15	1,06
538-47642-0001	47642-0001	H	5	Right-Angle	Middle Mount	SMT	2.95	10.20	7.25	0,82	0,726	0,675	0,613
538-47346-0001	47346-0001	I	5	Right-Angle	Bottom Mount	SMT	2.95	8.00	5.45	1,23	1,12	1,03	0,966
538-105017-0001	105017-0001	I	5	Right-Angle	Bottom Mount	SMT	3.30	8.00	5.45	0,90	0,736	0,685	0,638
Type AB													
538-47589-0001	47589-0001	J	5	Right-Angle	Bottom Mount	SMT	3.00	8.20	5.60	0,95	0,858	0,795	0,742
538-47590-0001	47590-0001	J	5	Right-Angle	Top Mount	SMT	3.35	8.00	5.80	0,95	0,858	0,795	0,739
538-47654-0001	47654-0001	J	5	Right-Angle	Middle Mount	SMT	2.95	10.45	6.80	0,85	0,797	0,736	0,671

For quantities greater than listed, call for quote.

Cable Assemblies

MOUSER STOCK NO.	Molex Part No.	Fig.	No. of Circuits	Type	Description	Price Each			
						1	10	25	50
538-89485-8200	89485-8200	K	4	USB Type A-to-Pigtail	2.08m Length, Sub-Channel, White	3,43	2,72	2,21	2,00
538-88728-3400	88728-3400	K	4	USB Type A-to-Pigtail	2.08m Length, Full-Rated, White	4,48	3,59	3,14	2,83
538-68784-0001	68784-0001	L	-	USB Type A-to-Micro B	1 Meter Length, 28 AWG, Black	8,35	7,16	6,03	5,54
538-68784-0002	68784-0002	L	-	USB Type A-to-Micro B	1.5 Meter Length, 28 AWG, Black	7,29	6,55	5,90	5,30
538-68784-0003	68784-0003	L	-	USB Type A-to-Micro B	2 Meter Length, 28 AWG, Black	7,65	6,90	6,22	5,99
538-88732-9200	88732-9200	L	4	USB Type A-to-B	2.09m Length, Full-Rated, White	4,05	3,72	3,21	2,95

For quantities greater than listed, call for quote.

USB TYPE "A" AND "B" RECEPTACLES

The basic characteristics of all "A" and "B" receptacles are: having a metal shell to provide for excellent EMI/RFI protection, PCB hold-downs meet specifications of an electrical rating of 1.0 Amp per contact and are designed to endure at least 1,500 mating cycles.

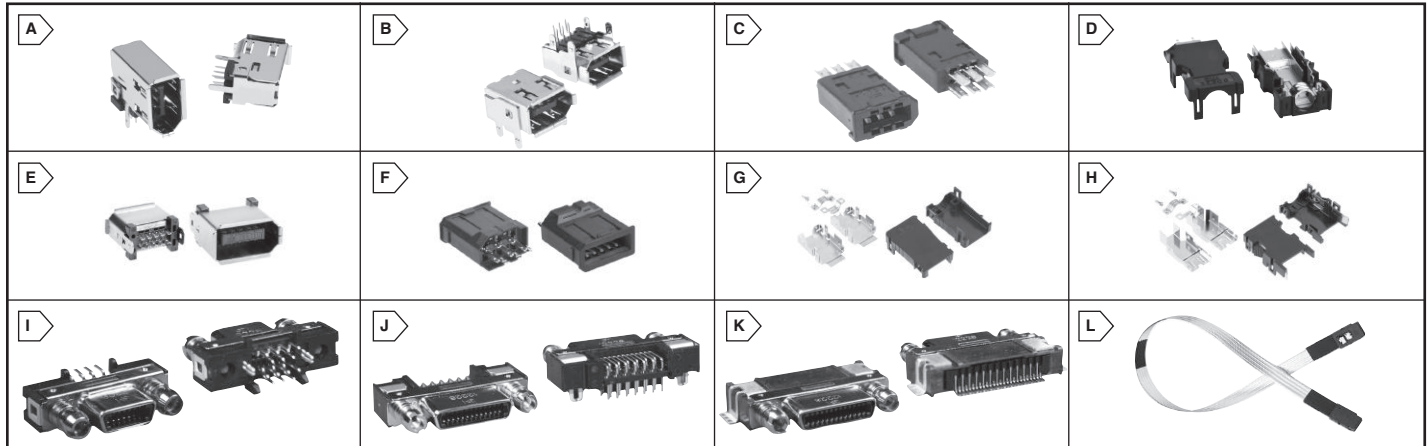
MOUSER STOCK NO.	Molex Part No.	Fig.	No. of Circuits	Type	Description	Price Each			
						1	10	25	50
538-89485-8000	89485-8000	M	4	Type A	Single Upright, Right-Angle, Black, Gold Flash Plating	1,69	1,57	1,45	1,30
538-89485-8001	89485-8001	M	4	Type A	Single Upright, Right Angle, Black 30µ" Gold Plating	2,68	2,15	1,79	1,58
538-67329-8000	67329-8000	N	4	Type A	Single Upright, Right Angle, Gold Flash Plating	1,88	1,65	1,18	1,08
538-67643-2911	67643-2911	O	4	Type A	Right Angle, High Temperature Black nylon, 30µ" Gold Plating	2,15	1,99	1,83	1,71
538-67643-3911	67643-3911	O	4	Type A	Right Angle, High Temperature White nylon, 30µ" Gold Plating	2,15	1,97	1,82	1,66
538-67068-8000	67068-8000	P	4	Type B	Right-Angle, w/ Kinked Solder Tabs, Black, Gold Flash Plating	1,56	1,29	1,17	1,06
538-67068-8001	67068-8001	P	4	Type B	Right-Angle, w/ Kinked Solder Tabs, Black, 30µ" Gold Plating	2,36	2,03	1,82	1,64
538-67068-9000	67068-9000	P	4	Type B	Right-Angle, w/ Kinked Solder Tabs, White, Gold Flash Plating	1,56	1,29	1,18	1,07
538-67068-9001	67068-9001	P	4	Type B	Right-Angle, w/ Kinked Solder Tabs, White, 30µ" Gold Plating	1,29	1,22	1,16	1,10

For quantities greater than listed, call for quote.

3M™ I/O Connectors



RoHS Compliant This page of product is compliant.



2.0MM I/O INTERCONNECT SYSTEM FOR IEEE1394

Features:

- Up to 6 Amps per connector: 6 Contacts can carry signal or power (up to 1 ampere per pin)
- 360° Shielding for excellent EMI protection
- Polarized to provide proper insertion
- RoHS Compliant per 3M documentation

Specifications:

- Current Rating: 1 A per pin
- Voltage Rating: 150V (AC)/200V (DC)
- Insulation Resistance: > 5 x 10⁸Ω at @ 500V (DC)
- Withstanding Voltage: 500V RMS for 1 minute
- Temperature Rating: -55°C to +85°C
- Vibration resistant



RoHS Compliant

For quantities greater than listed, call for quote.

MOUSER STOCK NO.	3M Part No.	Fig.	Gender	Description	Price Each			
					1	25	50	100
Boardmount								
517-3E106-2220KV	3E106-2220KV	A	Plug	Right Angle, Upright, Through Hole, Straight Tabs	2,15	1,82	1,76	1,70
517-3E106-2230KV	3E106-2230KV	A	Plug	Right Angle, Upright, Through Hole, Kinked Tabs	2,20	1,86	1,80	1,74
517-3E106-0220KV	3E106-0220KV	B	Plug	Right Angle, Horizontal, Through Hole, Straight Tabs	2,15	1,82	1,76	1,70
Wiremount								
517-3E206-0100KV	3E206-0100KV	C	Receptacle	Accommodates up to 18 AWG Wire	4,14	3,50	3,38	3,28
Shell Kit								
517-3E306-3200-008	3E306-3200-008	D	---	Shell Kit for Wiremount Receptacle	7,61	6,43	6,21	6,01

SHIELDED COMPACT RIBBON (SCR) I/O CONNECTORS

Features:

- Up to 10 Amps per connector: 10 Contacts can carry signal or power (up to 1 ampere per pin)
- 360° Shielding for excellent EMI protection
- Polarized to provide proper insertion
- RoHS Compliant per 3M documentation

Specifications:

- Current Rating: 1 A per pin
- Voltage Rating: 150V (AC)/200V (DC)
- Insulation Resistance: > 5 x 10⁸Ω at @ 500V (DC)
- Withstanding Voltage: 500V RMS for 1 minute
- Temperature Rating: -55°C to +85°C



RoHS Compliant

For quantities greater than listed, call for quote.

MOUSER STOCK NO.	3M Part No.	Fig.	Gender	Description	Price Each			
					1	25	50	100
Wiremount								
517-36110-3000-FD	36110-3000FD	E	Plug	Accommodates up to 22 AWG Wire	3,80	3,70	3,57	3,47
517-36210-0100-FD	36210-0100FD	F	Receptacle	Plating-0.2µm min gold, 2µm Sn solder tail	3,00	2,52	2,40	2,33
517-36210-0100-PL	36210-0100PL	F	Receptacle	Plating-0.2µm min gold, Gold Flash tail	3,25	3,25	-	-
Shell Kits								
517-36310-3200-008	36310-3200-008	G	---	Shell Kit for Wiremount Plug	6,09	6,03	-	-
517-36310-F200-008	36310-F200-008	H	---	Shell Kit for Wiremount Receptacle	6,78	5,70	5,43	5,26

MINI CAMERA LINK™ (SDR) CONNECTORS 0.80mm Receptacles

Features:

- Wiper on wiper contact for reliable repetitive mating
- Ground lock for reliable PCB retention
- Full metal face for better EMI shielding effectiveness
- On-board jacksockets maintains a secure connection
- RoHS Compliant per 3M documentation

Specifications:

- 30µm Gold Plating
- Color: Black
- Contact Material: Phosphor Bronze
- Current Rating: 0.5 A
- Temperature Rating: -40°C to +70°C



RoHS Compliant

For quantities greater than listed, call for quote.

MOUSER STOCK NO.	3M Part No.	Fig.	No. of Contacts	Style	Type	Price Each			
						1	25	50	100
517-12214-115000FR	12214-1150-00FR	I	14	Vertical	Thru-Hole	6,21	5,22	4,81	4,71
517-12226-115000FR	12226-1150-00FR	I	26	Vertical	Thru-Hole	5,92	5,49	4,78	4,40
517-12226-515000FR	12226-5150-00FR	J	26	Right Angle	Thru-Hole	7,36	7,09	7,09	7,09
517-12250-515000FR	12250-5150-00FR	J	50	Right Angle	Thru-Hole	8,24	8,23	7,76	6,95
517-12226-825000FR	12226-8250-00FR	K	26	Right Angle	Surface Mount	8,66	8,35	-	-

MINI SERIAL ATTACHED SCSI (MINISAS) CABLE ASSEMBLIES

Features:

- Exceeds the 6 Gbps performance standard designated by SAS 2.0 requirements
- Bends in multiple locations with a bend radius as low as 1 mm and still meet SAS 2.0 performance criteria
- Available with or without sidebands
- Available with silver or tin plated signal conductors and solid polyolefin dielectric
- RoHS compliant and halogen-free



RoHS Compliant

For quantities greater than listed, call for quote.

MOUSER STOCK NO.	3M Part No.	Fig.	No. of Pos.	Description	Length	Price Each			
						1	25	50	100
517-8F36-AAAC105-0.50	8F36-AAAC105-0.50	L	36	4-Lane with Sidebands, SN-Plated Signal	0.5	-	-	-	-
517-8F36-AAA305-0.50	8F36-AAA305-0.50	L	36	4-Lane (No Sidebands), SN-Plated Signal	0.5	-	-	-	-

TWIN AXIAL CABLE

Features:

- 100 Ohm differential pairs
- Four pairs with and without sidebands
- Solid polyolefin insulation
- .88 mm thick
- The cable is UL AWM 21008 (150V, 80C); file number E42769
- Halogen free

With Sideband:

Without Sideband:



RoHS Compliant

3M Part No.	Description	Cut Length		500' Reels	
		MOUSER STOCK NO.	Price Per Foot	MOUSER STOCK NO.	Price Per Reel
SL8802/08-211N5-00	4PR, 2 GND, Sn	517-SL880208211NCUT	0,86	517-SL880208211N500	354,97
SL8802/08-201N5-00	4PR, 2 GND, Ag	517-SL880208201NCUT	1,11	517-SL880208201N500	459,20
SL8801/12-111A5-00	4PR, with 4 Sideband, Sn	517-SL880112111ACUT	0,94	517-SL880112111A500	388,86
SL8801/12-101A5-00	4PR, with 4 Sideband, Ag	517-SL880112101ACUT	1,19	517-SL880112101A500	493,09

HIROSE Micro-USB Connectors and Assemblies



HIROSE ELECTRIC CO., LTD.

MICRO-USB 3.0 CONNECTORS

Features:

- Data transmission feeds to 5Gbps
- Stainless Steel shield
- 1A current rating, current capacity increase to 900mA
- 10,000 mating cycles
- 30Vac voltage rating
- Backward compatible with micro USB 2.0

Applications:

- Small handheld devices:
 - Medical equipment
 - Measuring equipment
 - MP3 player
 - Notebooks



RoHS Compliant

For quantities greater than listed, call for quote.

MOUSER STOCK NO.	Hirose Part No.	Fig.	Description	Price Each		
				1	25	100
798-ZX360-B-SLDA	ZX360-B-SLDA	A	Mircor-B Receptacle, Right Angle	0,40	0,371	0,337
798-ZX360-B-10S-UNIT	ZX360-B-10S-UNIT	B	Micro-B Plug Assembly	0,66	0,611	0,554
798-ZX360D-B-10P	ZX360D-B-10P	C	Micro-B Plug Shield	1,51	1,38	1,28

MICRO-USB CONNECTORS

Features:

- USB 2.0 Hi-speed (480Mbps)
- Space saving compact size
- Various Plug and Receptacle styles

Specifications:

- Mating Cycles: 10,000
- Contact Plating: Selective Gold
- Current: 1.0 A

Applications:

- Mobile Phones
- Digital Cameras
- Portable Music Players



RoHS Compliant

For quantities greater than listed, call for quote.

MOUSER STOCK NO.	Hirose Part No.	Fig.	Description	Mounting Style	Termination Style	Price Each		
						1	25	100
Micro-B Type								
798-ZX62-B-5PA11	ZX62-B-5PA(11)	D	Right Angle	Bottom Mount	SMT	0,91	0,66	0,539
798-ZX62D-B-5P8	ZX62D-B-5P8	D	Right Angle	Bottom Mount	SMT/Thru-Hole hold down	1,13	0,817	0,56
798-ZX62M-B-5P01	ZX62M-B-5P(01)	D	Right Angle	Mid-Mount	SMT	0,94	0,677	0,554
798-ZX80-B-5P	ZX80-B-5P	D	Recept Assembly w/ Lock	Cradle Mount	Vertical Thru-Hole	1,44	1,04	0,85
798-ZX62R-B-5P	ZX62R-B-5P	E	Right Angle	Top Mount	SMT	1,32	0,949	0,651
Micro-AB Type								
798-ZX62D-AB-5P8	ZX62D-AB-5P8	F	Right Angle	Bottom Mount	SMT/Thru-Hole hold down	1,22	0,883	0,61
798-ZX62-AB-5PA11	ZX62-AB-5PA(11)	F	Right Angle	Bottom Mount	SMT	0,94	0,677	0,553
798-ZX62RD-AB-5P8	ZX62RD-AB-5P8	F	Right Angle	Top Mount	SMT/Thru-Hole hold down	1,20	0,858	0,593

Plug Assemblies

For quantities greater than listed, call for quote.

MOUSER STOCK NO.	Hirose Part No.	Fig.	Description	Mounting Style	Termination Style	Price Each		
						1	25	100
Micro-B Type								
798-ZX10-B-5S-UNIT12	ZX10-B-5S-UNIT(12)	G	Plug Assembly	Right Angle Thru-Hole	PCB Wire Solder	0,64	0,569	0,529
798-ZX20-B-5S-UNIT	ZX20-B-5S-UNIT	H	Plug Assembly	Vertical Thru-Hole	PCB Wire Solder	1,10	0,792	0,645
798-ZX40-B-5S-UNIT12	ZX40-B-5S-UNIT(12)	I	Plug Assembly	-	Direct Wire Solder	1,43	1,10	0,875
798-ZX64-B-5S-UNIT14	ZX64-B-5S-UNIT(14)	J	Plug Assembly	Right angle SMT	PCB Wire Solder	1,23	0,875	0,722
798-ZX80-B-5S	ZX80-B-5S	K	Plug Assembly w/ Lock	Cradle Mount	Vertical Thru-Hole	1,53	1,17	0,941
798-ZX80-B-5SA	ZX80-B-5SA	K	Plug Assembly w/o Lock	Cradle Mount	Vertical Thru-Hole	1,51	1,16	0,924
Micro-A Type								
798-ZX62D-AB-5P8	ZX62D-AB-5P8	I	Right Angle	Bottom Mount	SMT/Thru-Hole hold down	1,22	0,883	0,61

Plug Shielding - (Use With Plug Assemblies)

For quantities greater than listed, call for quote.

MOUSER STOCK NO.	Hirose Part No.	Fig.	Description	Style	Use with Plug	Price Each		
						1	25	100
798-ZX10-B-SLDA	ZX10-B-SLDA	L	Type B Plug Shield	Top	ZX10	0,44	0,198	0,15
798-ZX10-SLDB3.301	ZX10-SLDB(3.3)(01)	M	Type B Plug Shield	Bottom	ZX10	0,19	0,124	0,099
798-ZX20-B-SLDC	ZX20-B-SLDC	N	Type B Plug Shield	One piece cover	ZX20	0,39	0,173	0,134
798-ZX40-A-SLDA	ZX40-A-SLDA	N	Type A Plug Shield	Top	ZX40	0,44	0,198	0,15
798-ZX40-B-SLDA	ZX40-B-SLDA	N	Type B Plug Shield	Top	ZX40	0,44	0,198	0,142
798-ZX40-SLDB	ZX40-SLDB	O	Type A / B Plug Shield	Bottom, 3.8 diameter	ZX40	0,39	0,173	0,125
798-ZX40-SLDB3.3	ZX40-SLDB(3.3)	O	Type A / B Plug Shield	Bottom, 3.3 diameter	ZX40	0,39	0,173	0,125
798-ZX64-B-SLDA	ZX64-B-SLDA	P	Type B Plug Shield	Top	ZX64	0,34	0,165	0,12
798-ZX64-SLDB	ZX64-SLDB	Q	Type B Plug Shield	Bottom	ZX64	0,34	0,159	0,117
798-ZX64-B-SLDC	ZX64-B-SLDC	R	Type B Plug Shield	One piece w/o cable clamp	ZX64	0,35	0,206	0,161

USB Cable Assemblies

For quantities greater than listed, call for quote.

MOUSER STOCK NO.	Hirose Part No.	Fig.	Description	Cable Length	Price Each		
					1	25	100
798-ZX40A-S75STDAJ	ZX40-A-5S-75-STDAJ	-	Micro A to Standard A assembly	75mm / 2.95"	7,74	7,01	6,63
798-ZX40B5S500STDA	ZX40-B-5S-500-STDA	-	Micro B to Standard A assembly	0.5M / 1.64'	12,93	11,82	10,64
798-ZX40B5S1000STDA	ZX40-B-5S-1000-STDA	-	Micro B to Standard A assembly	1.0M / 3.28'	12,62	11,78	10,94
798-ZX40B5S1500STDA	ZX40-B-5S-1500-STDA	-	Micro B to Standard A assembly	1.5M / 4.92'	14,23	13,75	12,80

MINI-USB CONNECTORS - MINI-B TYPE

Features:

- USB 2.0 Hi-speed (480Mbps)
- The plug incorporates a built-in snap-lock feature, providing tactile verification of the full and secure mating of the receptacle

Specifications:

- Mating Cycles: 5,000
- Contact Plating: Gold
- Current: 1.0 A

Applications:

- PC Peripherals
- Information terminals
- PDA
- Digital Cameras
- Information terminals
- Portable Music Players



RoHS Compliant

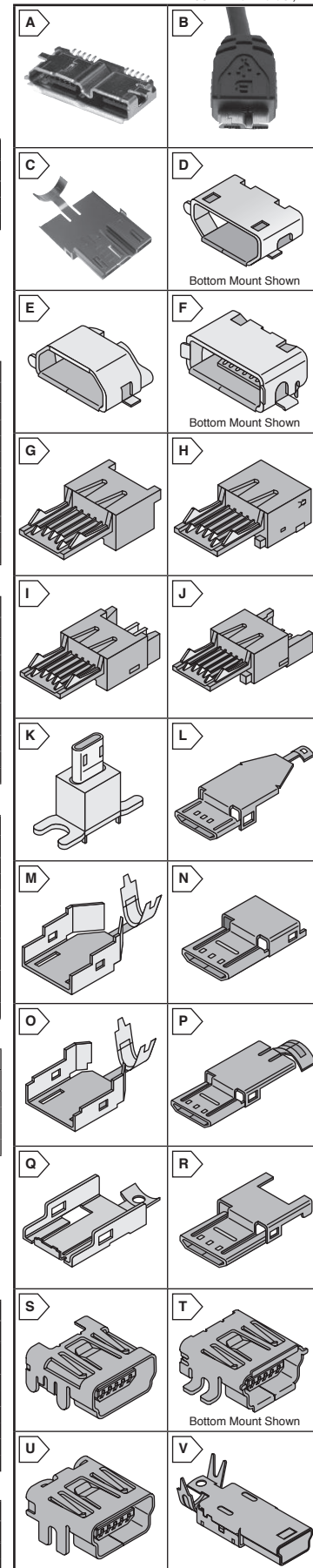
For quantities greater than listed, call for quote.

MOUSER STOCK NO.	Hirose Part No.	Fig.	Description	Mounting Style	Termination Style	Price Each		
						1	25	100
798-UX60-MB-5S8	UX60-MB-5S8	S	R/A with positioning post	Thru-Hole	Solder Dip	1,04	0,743	0,606
798-UX60-MB-5ST	UX60-MB-5ST	T	R/A with positioning post	Bottom Mount	SMT	1,04	0,743	0,606
798-UX60A-MB-5ST	UX60A-MB-5ST	T	R/A with out positioning post	Bottom Mount	SMT	1,04	0,743	0,606
798-UX60RA-MB-5ST	UX60RA-MB-5ST	T	Right Angle	Reverse Mount	SMT/Thru-Hole	1,22	0,924	0,755
798-UX60SC-MB-5S8	UX60SC-MB-5S8	U	Right Angle	Bottom Mount	SMT/Thru-hole shell	1,13	0,809	0,664
798-UX60SC-MB-5ST	UX60SC-MB-5ST	T	Right Angle	Bottom Mount	SMT	1,14	0,817	0,659
798-UX60SC-MB-5ST80	UX60SC-MB-5ST(80)	T	Right Angle	Bottom Mount	SMT	0,78	0,561	0,461
798-UX60SD-MB-5S55	UX60SD-MB-5S55	T	Right Angle	Mid Mount	SMT	1,08	0,776	0,632

Plug Assemblies

For quantities greater than listed, call for quote.

MOUSER STOCK NO.	Hirose Part No.	Fig.	Description	Mounting Style	Cable Diameter	Price Each		
						1	25	100
798-UX40-MB-5P	UX40-MB-5P	V	Straight Plug	Direct wire solder	3.5 - 4.0mm	1,12	0,809	0,666
798-UX40A-MB-5P	UX40A-MB-5P	V	Straight Plug	Direct wire solder	4.1 - 4.6mm	1,12	0,809	0,666



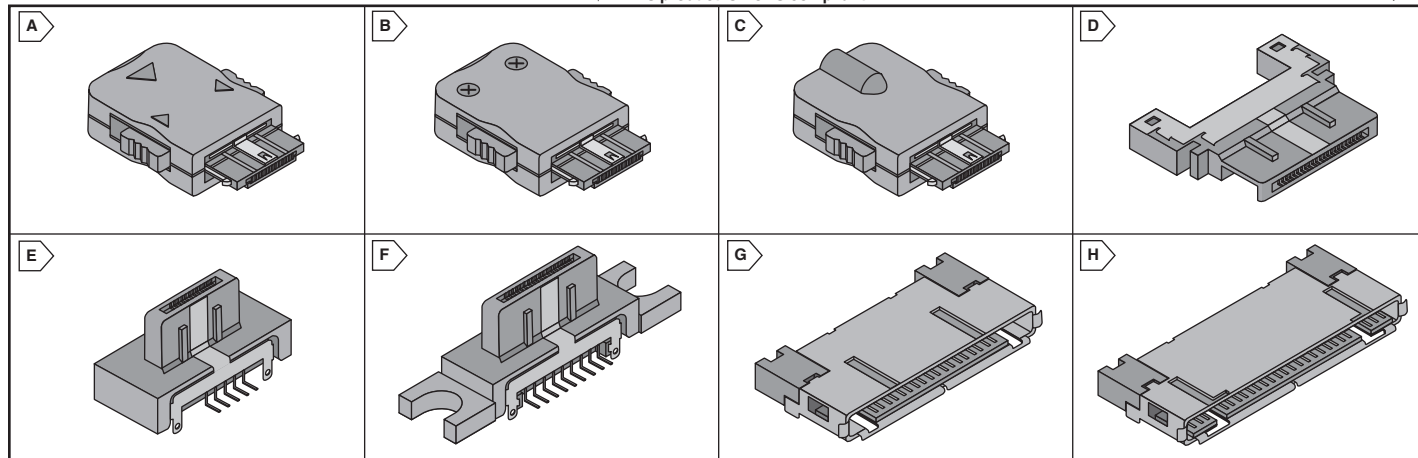
HIROSE I/O Connectors



This product is RoHS compliant.



HIROSE ELECTRIC CO., LTD.



HIROSE ST SERIES - EXTERNAL INPUT / OUTPUT CONNECTORS

Developed for use with portable and mobile devices used in consumer markets. The connectors incorporate features required to assure reliable electrical and mechanical performance under extreme and unpredictable conditions.

Features:

- Strong locking mechanism
- Prevention against reversed or angle insertion
- Small size and low profile
- EMI protection

Specifications:

- Current Rating: 0.5A
- Voltage Rating: 100V AC
- Operating Temperature Range: -30°C to +80°C



RoHS Compliant

Plugs

For quantities greater than listed, call for quote.

MOUSER STOCK NO.	Hirose Part No.	Fig.	No. of Contacts	Shielded	Price Each			
					1	10	50	100
Standard Type - 4.0mm Max Cable Diameter								
798-ST40-10S-CV80	ST40-10S-CV(80)	A	10	No	2,49	2,06	1,72	1,54
798-ST40X-10S-CV80	ST40X-10S-CV(80)	A	10	Yes	3,04	2,51	2,10	1,88
798-ST40X-18S-CV80	ST40X-18S-CV(80)	A	18	Yes	4,28	3,54	2,95	2,65
798-ST40X-24S-CV80	ST40X-24S-CV(80)	A	24	Yes	4,05	3,35	2,79	2,51
Reverse Type - 4.0mm Max Cable Diameter								
798-ST40-10S-CVR80	ST40-10S-CVR(80)	B	10	No	2,49	2,06	1,72	1,54
798-ST40X-10S-CVR80	ST40X-10S-CVR(80)	B	10	Yes	3,04	2,51	2,10	1,88
798-ST40X-18S-CVR80	ST40X-18S-CVR(80)	B	18	Yes	3,66	2,84	2,49	1,82
Standard Type - 5.8mm Max Cable Diameter								
798-ST40X-18S-CV1	ST40X-18S-CV1	C	18	Yes	4,28	3,54	2,99	2,66
798-ST40X-24S-CV180	ST40X-24S-CV1(80)	C	24	Yes	5,29	4,37	3,65	3,28
Standard Type - 7.0mm Max Cable Diameter								
798-ST40X-36S-CV80	ST40X-36S-CV(80)	C	36	Yes	4,77	3,94	3,28	2,95
Cradle Type - Horizontal								
798-ST60X-18S	ST60X-18S	D	18	Yes	3,26	2,52	2,02	1,63
Cradle Type - Vertical								
798-ST80X-10S	ST80X-10S	E	10	Yes	2,61	2,02	1,61	1,30
798-ST80X-18S50	ST80X-18S(50)	F	18	Yes	3,71	2,87	2,30	1,85



RoHS Compliant

Receptacles

For quantities greater than listed, call for quote.

MOUSER STOCK NO.	Hirose Part No.	Fig.	No. of Contacts	Price Each				
				1	10	50	100	
Standard Type								
798-ST60-10P	ST60-10P	G	10	1,48	1,14	0,99	0,908	
798-ST60-18P50	ST60-18P(50)	G	18	1,80	1,39	1,22	1,11	
798-ST60-24P50	ST60-24P(50)	G	24	2,25	1,72	1,62	1,39	
798-ST60-36P	ST60-36P	G	36	2,42	1,87	1,67	1,50	
Reverse Type								
798-ST60-36PR	ST60-36PR	H	36	2,42	2,00	1,67	1,50	



RoHS Compliant

Accessories

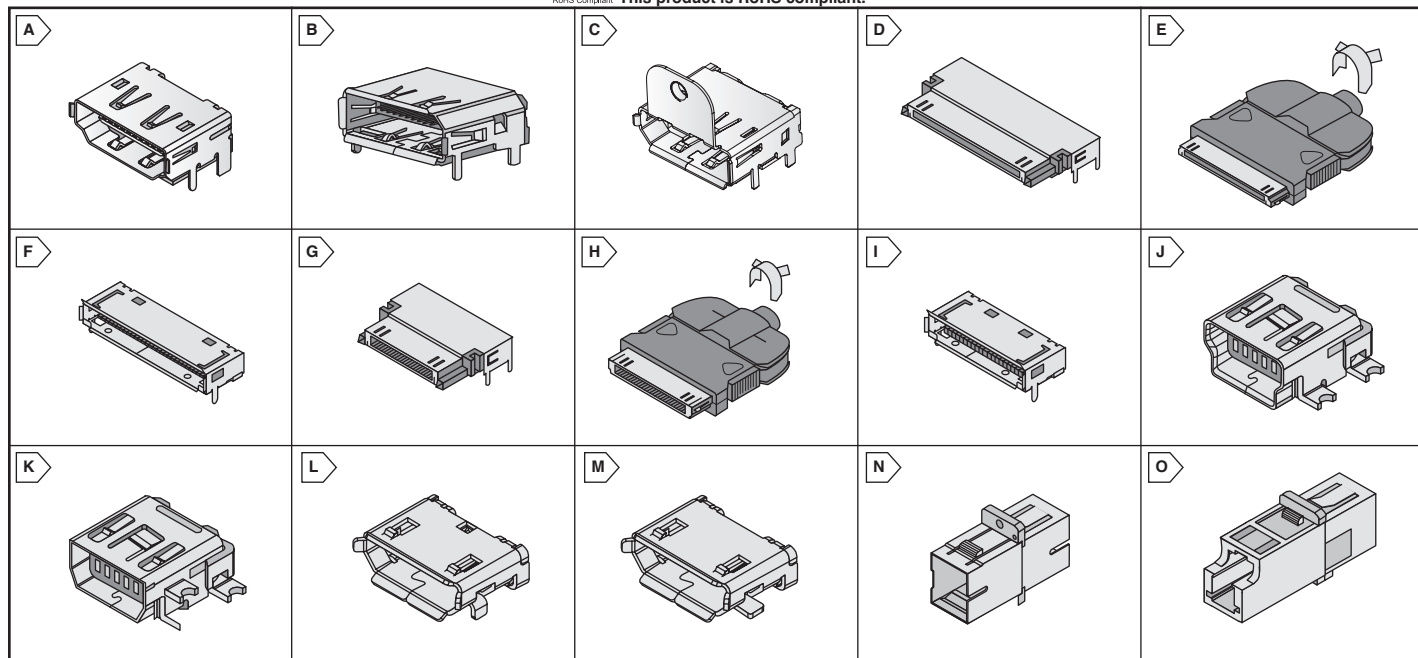
For quantities greater than listed, call for quote.

MOUSER STOCK NO.	Hirose Part No.	Fig.	No. of Contacts	Price Each				
				1	10	50	100	
Bushings								
798-ST40X-BS4.0	ST40X-BS(4.0)	---	4.0mm Cable Bushing	0,48	0,388	0,309	0,276	
798-ST40X-BS5.8	ST40X-BS(5.8)	---	5.8mm Cable Bushing	0,73	0,586	0,474	0,422	
798-ST40X-BS16.8	ST40X-BS1(6.8)	---	6.8mm Cable Bushing	0,73	0,586	0,474	0,422	
Clamps								
798-ST40X-CM4.0	ST40X-CM(4.0)	---	4.0mm Cable Clamp	0,30	0,182	0,12	0,103	
798-ST40X-CM4.0-5.0	ST40X-CM(4.0-5.0)	---	4-5.0mm Cable Clamp	0,48	0,388	0,309	0,276	
798-ST40X-CM5.8	ST40X-CM(5.8)	---	5.8mm Cable Clamp	0,56	0,388	0,299	0,257	
798-ST40X-CM6.8	ST40X-CM(6.8)	---	6.8mm Cable Clamp	0,33	0,233	0,175	0,15	
798-ST40X-CM16.8	ST40X-CM1(6.8)	---	6.8MM for ST40X-36S	0,56	0,388	0,299	0,257	

JAE I/O, USB and Fiber Connectors



RoHS Compliant. This product is RoHS compliant.



DISPLAYPORT™ CONNECTORS DP1 SERIES

- No. of Contacts: 20 Position
- SMT Right Angle mounting
- Mating Cycles: 10,000
- Rated Current: 0.5 A per contact
- Applicable Cable: Twinax Cable (32 or 30 AWG)
- Operating temperature: -20°C to +85°C
- Compatible with Display Port V1.1a per VESA Standard)
- RoHS Compliance per JAE Documentation



RoHS Compliant

For quantities greater than listed, call for quote.

MOUSER STOCK NO.	JAE Part No.	Fig.	Description	Price Each			
				1	25	100	250
656-DP1RD20JQ1R400	DP1RD20JQ1R400	A	0.3um Au Contacts	2,08	1,96	1,86	1,73
656-DP1RP20JQ1R400	DP1RP20JQ1R400	A	0.3um Au Contacts without contact cover	1,61	1,52	1,44	1,34
656-DP1RD20JS5R400	DP1RD20JS5R400	A	0.76um Au Contacts with Plastic Cover	1,90	1,79	1,69	1,58
656-DP1RD20JQ2R400	DP1RD20JQ2R400	B	Reverse Mount, 0.3um Au Contacts	1,67	1,58	1,50	1,40
656-DP1RD20JS2R400	DP1RD20JS2R400	B	Reverse Mount, 0.76um Au Contacts	1,79	1,69	1,60	1,49
656-DP1R020JQ3	DP1R020JQ3	C	With Flange M3 x 0.5, 0.3um Au Contacts	2,36	2,14	2,05	2,00
656-DP1RT20JQ3	DP1RT20JQ3	C	With Flange and adsorption tape, 0.3um Au Contacts	3,70	3,40	3,27	3,04

0.50MM INTERFACE CONNECTORS DD1 AND DD2 SERIES

- Conforms to USB2.0 Standard
- Secure ground connection for EMI prevention
- Receptacle: Live insertion
- RoHS Compliance per JAE documentation
- Initial Contact Resistance: 50 mΩ Max.
- Rated Current: for signal 0.5A, for power 1.0A



RoHS Compliant

For quantities greater than listed, call for quote.

MOUSER STOCK NO.	JAE Part No.	Fig.	Positions	Description	Price Each			
					1	25	100	250
656-DD1B030VA1	DD1B030VA1	D	30	SMT, Plug 75°	3,29	2,97	2,57	2,48
656-DD1B030HA1R500	DD1B030HA1R500	D	30	SMT, Plug	3,02	2,73	2,50	2,30
656-DD1P030MA1	DD1P030MA1	E	30	Cable Plug	6,00	5,36	4,07	4,00
656-DD1R030HA1R1300	DD1R030HA1R1300	F	30	SMT, Receptacle	2,72	2,52	2,21	2,15
656-DD2B040HA2R500	DD2B040HA2R500	G	40	SMT, Plug	5,26	4,17	3,57	3,47
656-DD2P040MA1	DD2P040MA1	H	40	Cable Plug	9,08	7,97	6,16	6,06
656-DD2R040HP2R1000	DD2R040HP2R1000	I	40	SMT, Receptacle	4,25	3,84	3,56	3,42

USB CONNECTORS DX SERIES

- Conforms to Universal Serial Bus Specifications Revision 2.0
- Positioning bosses for board mounting
- Contact Resistance: 50Ω Max
- Rated Current: 1.0A
- 5,000 Mating cycles
- RoHS Compliance per JAE documentation



RoHS Compliant

For quantities greater than listed, call for quote.

MOUSER STOCK NO.	JAE Part No.	Fig.	Positions	Description	Price Each			
					1	25	100	250
656-DX2R005HN2E700	DX2R005HN2E700	J	5	Right Angle Mini-B USB	1,01	0,784	0,536	0,52
656-DX3R005HN2E700	DX3R005HN2E700	K	5	Right Angle Mini-AB USB	3,03	2,69	2,13	2,05
656-DX4R005J91R1500	DX4R005J91R1500	L	5	Right Angle Micro-B USB, Through-Hole	1,20	1,14	1,07	1,05
656-DX4R005H91R1500	DX4R005H91R1500	M	5	Right Angle Micro-B USB, SMT	1,03	0,965	0,908	0,858

FIBER OPTIC CONNECTORS FO-EX SERIES

- Separable housing for easy cleaning without separating from panel
- Easy, one hand separation of front and rear housing
- 500 Mating cycles
- Insertion Loss: 0.4 dB max. (when master plug is mated)
- RoHS Compliance per JAE documentation



RoHS Compliant

For quantities greater than listed, call for quote.

MOUSER STOCK NO.	JAE Part No.	Fig.	Positions	Description	Price Each			
					1	25	100	250
656-FO-EX-SCAD1-001	FO-EX-SCAD1-001	N	Simplex	SC TYPE, Phosphor Bronze sleeve	6,90	6,22	5,93	5,50
656-FO-EX-LCAD2	FO-EX-LCAD2	O	Simplex	LC TYPE, Ceramic Sleeve	11,25	9,67	7,19	7,05

RoHS Compliant This product is RoHS compliant.

0.80MM ULTRA+™ VHDCI CONNECTOR SYSTEM

Molex's Ultra+™ VHDCI (Very High Density Cable Interconnect) connector system is a leader among the next generation of high-density I/O interconnects. These connectors are designed for high performance memory transfer applications supporting the latest SCSI-style interfaces. They offer greatly increased density compared to existing SCSI connector styles. They are also suited for other high density I/O needs.

Features:

- Blade on beam, bullet nose lead-in
- Meets EIA, ANSI/SFF-8441 & SPI-4
- Shielded
- RoHS Compliant per Molex documentation

Applications:

- Mainframes
- File servers
- RAID (Redundant Arrays of Inexpensive Disks)
- Tape and disk drives

For quantities greater than listed, call for quote.

MOUSER STOCK NO.	Molex Part No.	Fig.	No. of Pos.	Description	Price Each			
					1	10	25	50
IDT Plug: Mates with Receptacles: 71430, 73776, and 74337								
538-71425-3001	71425-3001	A	68	Vertical, shielded	11,28	10,16	9,14	8,22
Receptacles: Mates with Plug: 71425-3001								
538-71430-0004	71430-0004	B	68	Right-angle with enhanced shield	15,42	13,98	13,50	12,87
538-71430-0009	71430-0009	B	68	Right-angle with enhanced shield	14,84	13,35	12,84	12,15
538-71430-0268	71430-0268	B	68	Right-angle without enhanced shield	15,69	14,11	13,68	13,12
538-73776-0201	73776-0201	C	68	Vertical, shielded	23,25	20,92	20,19	19,42
538-74337-0015	74337-0015	D	136	Right-angle, shielded	34,44	30,36	29,91	28,44
538-74337-0054	74337-0054	D	136	Right-angle with enhanced shield	44,68	40,21	36,99	34,03
538-74337-0070	74337-0070	D	136	Right-angle, shielded	47,28	43,29	39,83	36,64
Backshell Kit								
538-73796-3001	73796-3001	-	-	Plug Backshell Kit, Black	8,26	7,85	7,65	7,55

VHDCI Female Jackpost, M2-by-0.4mm Internal Thread

For quantities greater than listed, call for quote.

MOUSER STOCK NO.	Molex Part No.	Fig.	Description	Price Each			
				1	50	100	500
538-71433-0002	71433-0002	E	Nickel plated steel female jackpost	1,18	1,03	0,78	0,628

0.50MM CRADLECON™ CONNECTOR SYSTEM

CradleCon™ is a miniature (.5mm) I/O system designed to provide a compact, shielded interface for connection mobile devices via board-to-board such as docking cradles and digital cameras. The system is available in 14 - 36 circuits with a variety of mating configurations to suit various mobile needs.

Features:

- Compact 3.85mm design
- Fully shielded
- 5000 mating cycles
- Blind mating guides
- ROHS Compliant per Molex documentation

Applications:

- Cradle units
- Digital cameras
- PDAs
- Portable audio players

PCB Receptacles SMT

For quantities greater than listed, call for quote.

MOUSER STOCK NO.	Molex Part No.	Fig.	Description	Price Each			
				1	10	25	50
20 Position Receptacle							
538-54944-2070	54944-2070	F	Receptacle, Right-angle w/ thru-hole shell tabs	6,81	6,10	5,53	4,96

HANDYLINK™ CONNECTORS

Molex's new 0.80mm (.031") pitch HandyLink™ product family of connectors, cable assemblies and accessories offers a perfect solution to any hand-held device, design, or application. The HandyLink™ family includes a right-angle SMT receptacle, a wire and PCB version of the plug, and a perpendicular or parallel mounted cradle connectors for docking applications.

Features:

- USB 2.0 compatible with speeds up to 622Mbps
- Low profile receptacle: 3.5mm height and 21.00mm width
- Plugs feature first mate last break pins (2 and 16)
- Plugs in both wire and PCB versions
- 20,000 mating cycles
- 1.5 amps continuous per pin (up to 3 amps)
- ROHS Compliant per Molex documentation

Applications:

- Hand held consumer devices
- Retail scanners and bar code readers
- Portable music equipment
- Mobile computing
- Navigation and GPS
- PDAs
- Cellular telephones

Connectors

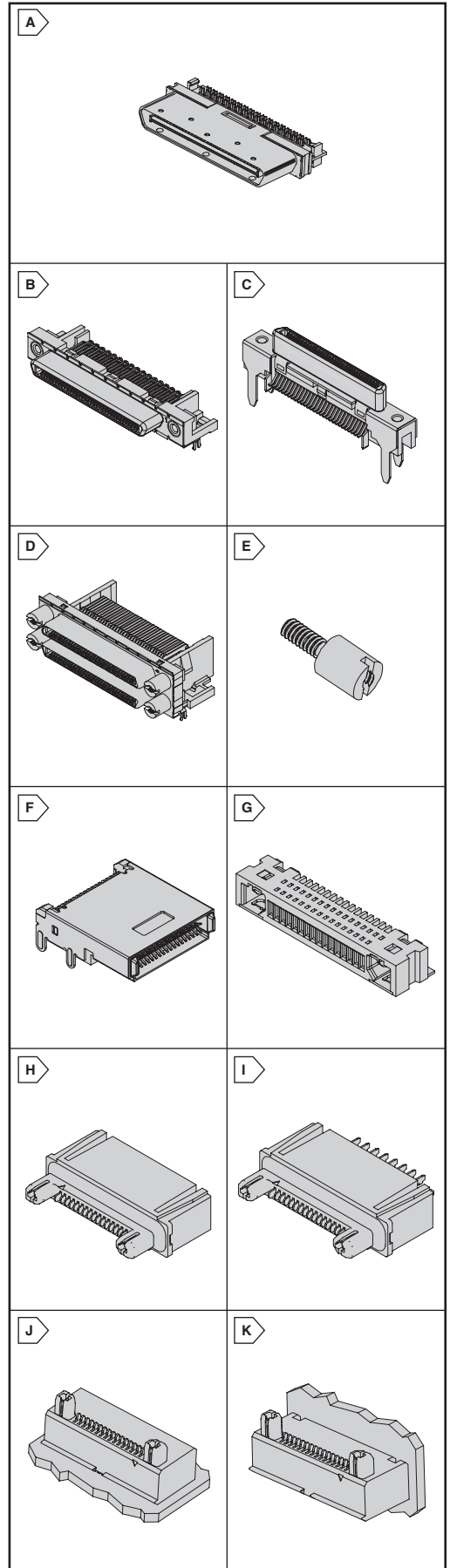
For quantities greater than listed, call for quote.

MOUSER STOCK NO.	Molex Part No.	Fig.	No. of Pos.	Description	Price Each			
					1	10	25	50
538-44828-1162	44828-1162	G	16	SMT Right-Angle Receptacle	4,47	4,14	3,81	2,96
538-45593-1600	45593-1600	H	16	Plug (PCB Version)	6,65	6,02	5,09	4,29
538-45339-1600	45339-1600	I	16	Plug (Wire Termination Version)	3,99	3,70	3,41	3,04
538-45560-0161	45560-0161	J	16	SMT Cradle Connector (Parallel to PCB)	8,71	7,82	6,75	5,56
538-45560-0160	45560-0160	K	16	SMT Cradle Connector (Perpend. to PCB)	6,64	5,97	5,31	4,47

Cable Assemblies

For quantities greater than listed, call for quote.

MOUSER STOCK NO.	Molex Part No.	Description	Price Each			
			1	10	25	50
538-36697-0001	36697-0001	1.0m HandyLink™ to HandyLink™, Straight	28,71	23,01	19,57	16,25
538-36697-0021	36697-0021	1.0m HandyLink™ to USB, Straight	12,90	10,81	8,90	8,00
538-36697-0031	36697-0031	1.0m HandyLink™ to Pigtail, Straight	21,85	20,09	18,48	17,00



MOLEX HDMI, Displayport™ and DVI Connectors

HDMI CONNECTORS AND CABLE ASSEMBLIES

Molex's new HDMI (High Definition Multimedia Interface) connectors and cable assemblies provide an uncompressed digital link between consumer electronics equipment such as DVD players, set-top boxes and audio/video monitors such as plasma display screens for high-definition TVs. HDMI is a small, user-friendly interconnect that provides up to 5 Gbps of bandwidth to support high-definition video plus multi-channel audio in a single cable.

Receptacles

For quantities greater than listed, call for quote.

MOUSER STOCK NO.	Molex Part No.	Fig.	No. of Pos.	Description	Price Each			
					1	10	25	50
538-47151-0001	47151-0001	A	19	Standard panel mount, 4 dimples, no back cover	2,40	2,21	2,04	2,02
538-47151-1001	47151-1001	A	19	Standard panel mount, 4 dimples, back cover incl.	2,23	2,03	1,85	1,82
538-500254-1927	500254-1927	A	19	Standard panel mount, 2 dimples, back cover incl.	5,96	5,74	5,46	4,97
538-47151-0002	47151-0002	B	19	Flange panel mount, 4 dimples, no back cover	2,43	2,29	2,23	2,02
538-47151-1002	47151-1002	B	19	Flange panel mount, 4 dimples, back cover incl.	2,43	2,29	2,23	2,02
538-500254-1931	500254-1931	B	19	Flange panel mount, 2 dimples, back cover incl.	5,96	5,62	5,46	4,97
538-47408-0001	47408-0001	C	19	Reverse type, right angle, w/o dimple	3,29	3,19	3,09	3,03
538-47266-0001	47266-0001	D	19	Flange type, right angle, SMT, black	3,08	2,86	2,64	2,44
538-47648-2000	47648-2000	E	19	Mini HDMI Recept. SMT, 30AU	3,57	3,30	3,05	2,83
538-46765-0001	46765-0001	F	19	Micro HDMI, SMT	2,51	2,31	2,02	1,84
538-46765-1001	46765-1001	G	19	Micro HDMI, SMT w/ thru-hole shell tabs	2,50	2,25	2,02	1,84
538-46765-2001	46765-2001	G	19	Micro HDMI, SMT w/ hybrid shell tabs	2,51	2,31	2,02	1,84

Cable Assemblies

For quantities greater than listed, call for quote.

MOUSER STOCK NO.	Molex Part No.	Description	AWG	Length m (ft)	Price Each			
					1	5	10	25
538-68786-0020	68786-0020	Micro HDMI to HDMI, w Ethernet & Audio Return Channel, Ver. 1.4	34	2 (6.6)	15,83	15,44	14,90	14,47
538-68786-0003	68786-0003	Micro HDMI to HDMI	32	2 (6.6)	15,50	15,31	14,78	14,40
538-88768-9800	88768-9800	HDMI to HDMI	28	1 (3.3)	13,69	13,40	12,18	10,35
538-88768-9810	88768-9810	HDMI to HDMI	28	2 (6.6)	13,14	12,49	11,86	11,27
538-88768-3510	88768-3510	HDMI to DVI	28	2 (6.6)	17,33	16,79	15,46	13,13

DISPLAYPORT™ CONNECTORS AND CABLE ASSEMBLIES

Features:

- Color: Black
- EMI Shielding
- Latches available
- Meets DisplayPort specification 1.0
- Supports up to 2.7Gbps transfer rate
- Detent locks
- Polarized
- Small footprint

For quantities greater than listed, call for quote.

MOUSER STOCK NO.	Molex Part No.	Fig.	Description	Price Each			
				1	5	10	25
Receptacles							
538-47272-0001	47272-0001	H	R/A, SMT, 30AU, w/latchholes and pegs	5,76	5,19	4,72	4,13
538-47272-1002	47272-1002	H	R/A, SMT, 30AU, w/cover, latchholes and pegs	5,60	5,36	4,94	4,53
538-47272-0024	47272-0024	H	R/A, SMT, 30AU, w/cover, latchholes, pegs, mylar	5,87	5,28	4,96	4,59
538-47272-0026	47272-0026	H	R/A, SMT, 30AU, w/latchholes and pegs, w/o post	5,39	4,99	4,63	4,23
538-47272-0021	47272-0021	H	R/A, SMT, AU flash, w/latchholes and pegs	5,37	4,95	4,52	4,09
538-47272-0025	47272-0025	I	R/A, SMT, 30AU, w/flange, latchholes, pegs, mylar	4,48	4,25	4,05	3,86
538-47272-1004	47272-1004	I	R/A, SMT, 30AU, w/flange, latchholes and pegs	8,40	7,73	7,11	6,54
538-47272-0027	47272-0027	I	R/A, SMT, 30AU, w/flange, cover, latchholes, pegs, mylar	9,05	8,33	7,64	7,05
538-47272-1005	47272-1005	I	R/A, SMT, 30AU, w/flange, latchholes and SMT pegs	8,40	7,73	7,11	6,54
538-47272-0023	47272-0023	I	R/A, SMT, 30AU, w/flange, latchholes, SMT pegs, mylar	8,46	7,77	7,16	6,59
538-47272-0028	47272-0028	I	R/A, SMT, AU flash, w/flange, latchholes, pegs, mylar	4,43	4,22	4,02	3,82
538-105081-0001	105081-0001	J	Mini-DisplayPort recept. R/A, TH, 30AU	7,44	7,10	6,76	6,43
Cable Plug - Assembly Components - (Component quantity required is 1 each)							
538-47271-0011	47271-0011	K	0.50mm plug sub assembly with latch holes	2,14	1,93	1,77	1,69
538-47271-1008	47271-1008	K	Upper inner shell with latch hole	0,50	0,45	0,422	0,401
538-47271-1009	47271-1009	K	Lower inner shell	0,52	0,47	0,455	0,422
538-47271-1016	47271-1016	K	Left side latch	0,15	0,143	0,14	0,13
538-47271-2016	47271-2016	K	Right side latch	0,15	0,143	0,14	0,129
538-47271-0004	47271-0004	K	Compressible upper cover, black UL94V-0	1,30	1,20	1,12	1,02
538-47271-0005	47271-0005	K	Lower cover, black UL94V-0	1,30	1,20	1,10	1,02
Cable Assemblies							
538-68783-0007	68783-0007	L	2 meter (6.6') cable with latches	47,02	45,42	43,26	42,23
538-68783-0001	68783-0001	L	3 meter (9.8') cable with latches	42,78	39,37	36,21	33,32
538-68783-0004	68783-0004	L	15 meter (49.2') cable with latches, low speed	142,54	131,13	124,58	118,35
Adapters							
538-74766-0005	74766-0005	-	Displayport to HDMI 10" length	65,24	63,28	61,39	59,55
538-74766-0006	74766-0006	-	Displayport to DVI-F 10" length	38,95	38,17	37,02	35,78

MICROCROSS DVI (DIGITAL VISUAL INTERFACE) CONNECTOR SYSTEM

Headers

Features:

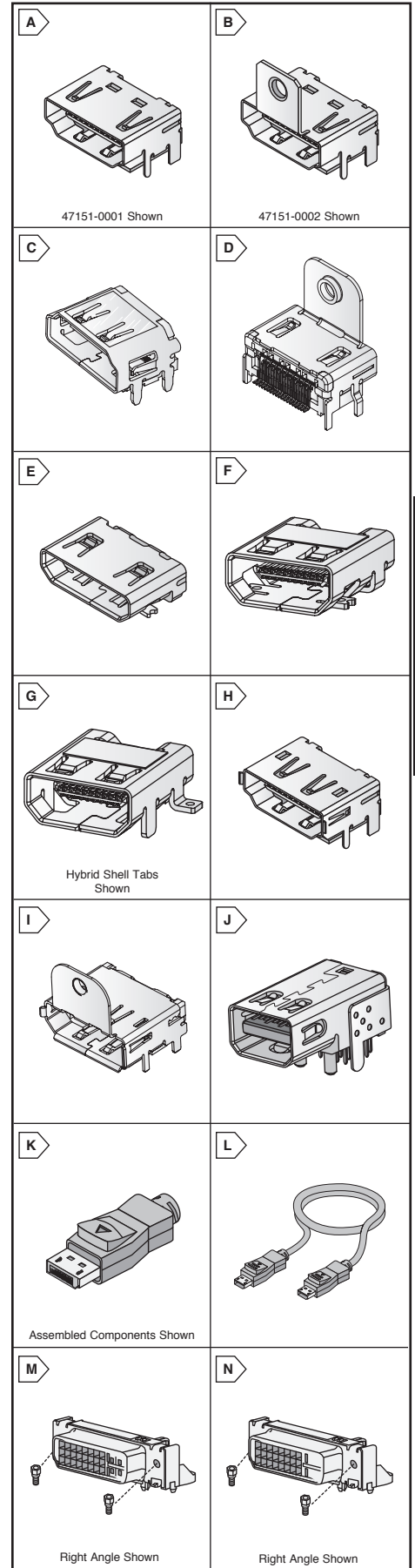
- Supports digital signals
- Plug and play interface
- LHF contact design is rugged and reliable
- Panel mount
- DDWG DVI standard interface
- Supports 4.95Gbps over a single link and 9.9Gbps performance over a dual link implementation
- Through hole, PCB

Specifications:

- Rating: UL94V-0
- Voltage: 40V
- Current: 3.0A
- Housing: Thermoplastic, glass filled

For quantities greater than listed, call for quote.

MOUSER STOCK NO.	Molex Part No.	Fig.	No. of Pos.	Description	Price Each			
					1	5	10	25
DVI-I Digital/analog Visual Interface Receptacle Headers								
538-74320-1004	74320-1004	M	29	gold flash, right angle	5,12	4,97	4,69	4,26
538-74320-1000	74320-1000	M	29	30µ" gold, right angle	5,71	4,72	4,25	3,93
538-74320-3000	74320-3000	M	29	30µ" gold, vertical	4,92	4,71	4,51	4,10
538-74320-3004	74320-3004	M	29	gold flash, vertical	4,67	4,53	4,27	3,88
DVI-D Digital Visual Interface Receptacle Headers								
538-74320-4004	74320-4004	N	24	gold flash, right angle	4,86	4,62	4,46	4,06
538-74320-4000	74320-4000	N	24	30µ" gold, right angle	5,12	4,93	4,61	4,05
538-74320-5004	74320-5004	N	24	gold flash, vertical	4,48	4,34	4,10	3,72



TE Display Port and USB Receptacles

LCD COAXIAL EMBEDDED DISPLAY INTERFACE (LCEDI) CONNECTORS

TE Connectivity offers the next generation LCD Coaxial Embedded Display Interface (LCEDI) family of connectors designed to provide exceptional electrical performance in both low-voltage differential signaling (LVDS) and embedded DisplayPort (eDP) applications.

Features:

- Ultra-low profile mating configuration
- Compatible & interchangeable with I-PEX CABLINE-VS connector series

Applications:

- Slim LED Backlight LCD Panel
- Notebook PC Applications



For quantities greater than listed, call for quote.

MOUSER STOCK NO.	TE Part No.	Fig.	Description	Price Each		
				1	25	50
571-2023344-2	2023344-2	A	Plug Assembly, 30 Pos.	3,49	3,10	2,88
571-2023344-3	2023344-3	A	Plug Assembly, 40 Pos.	3,08	2,74	2,53
571-2023348-2	2023348-2	B	Pull Bar, 30 Pos.	0,32	0,27	0,258
571-2023348-3	2023348-3	B	Pull Bar, 40 Pos.	0,19	0,168	0,153
571-5-2023347-2	5-2023347-2	C	Connector Shell, 30 Pos.	0,45	0,40	0,365
571-5-2023347-3	5-2023347-3	C	Connector Shell, 40 Pos.	0,38	0,34	0,312
571-5-2069716-2	5-2069716-2	D	Receptacle Header, 30 Pos.	1,76	1,56	1,45
571-5-2069716-3	5-2069716-3	D	Receptacle Header, 40 Pos.	1,83	1,63	1,49

DISPLAY PORT CONNECTORS AND CABLE ASSEMBLIES

Features:

- Future foundation for new display usages featuring higher color depths, display resolutions and fresh rates
- User-friendly and cost effective
- Smaller footprint takes up less PCB space yet provides scalable performance in terms of resolution
- Reduces numbers of wires required
- Supports embedded clock
- Superior shielding against EMI
- Replace DVI & VGA interfaces
- Optional latching feature prevents longer cables from detaching

Applications:

- PCs
- External display interconnects
- DVD players
- Game consoles
- Mobile Devices
- Personal Video records
- Optical disc players

For quantities greater than listed, call for quote.

MOUSER STOCK NO.	TE Part No.	Fig.	Description	Price Each		
				1	25	50
571-2013655-1	2013655-1	E	Right Angle, SMT without Mounting Flange, with Boss	2,72	2,42	2,22
571-2040451-1	2040451-1	E	Right Angle, Through hole without Mounting Flange, with Boss	2,47	2,34	2,24

Cable Assemblies

For quantities greater than listed, call for quote.

MOUSER STOCK NO.	TE Part No.	Fig.	Description	Length (M)	Price Each		
					1	25	50
APVC Cable Jacket							
571-2069230-2	2069230-2	F	Without Ferrite Core without Latch	2	9,72	8,75	8,26
571-2040685-2	2040685-2	F	Without Ferrite Core with Latch	2	12,04	10,84	10,23
571-2006457-2	2006457-2	G	With Ferrite Core without Latch	2	10,08	9,07	8,57
571-2006454-2	2006454-2	G	With Ferrite Core with Latch	2	13,10	11,79	11,13
Halogen-Free Cable Jacket							
571-2040686-2	2040686-2	F	Without Ferrite Core without Latch	2	10,82	9,74	9,20
571-2006459-2	2006459-2	G	With Ferrite Core without Latch	2	13,06	11,75	11,10
571-2006453-2	2006453-2	G	With Ferrite Core with Latch	2	14,84	13,36	12,61

USB 3.0 RECEPTACLES

Features:

- Minimizes user wait-time
- Backward compatible with USB 2.0 connector
- Minimize connector form factor variations
- Comprehend ease-of-use aspects
- Optimized power efficiency
- Plug and Play capacity

Applications:

- Desktop and Laptop Computers
- Camera
- Digital Audio
- High-volume Storage Devices
- Scanners
- Game ports
- GPS Devices
- MP3 Players
- High definition A/V equipment
- Keyboards/ Mice/ Joysticks



For quantities greater than listed, call for quote.

MOUSER STOCK NO.	TE Part No.	Fig.	Type	No. of Ports	Description	Price Each			
						1	50	100	250
571-1932258-1	1932258-1	H	A	1	Right Angle, Blue, Thru-hole	1,22	0,944	0,848	0,822

USB RECEPTACLES

Features:

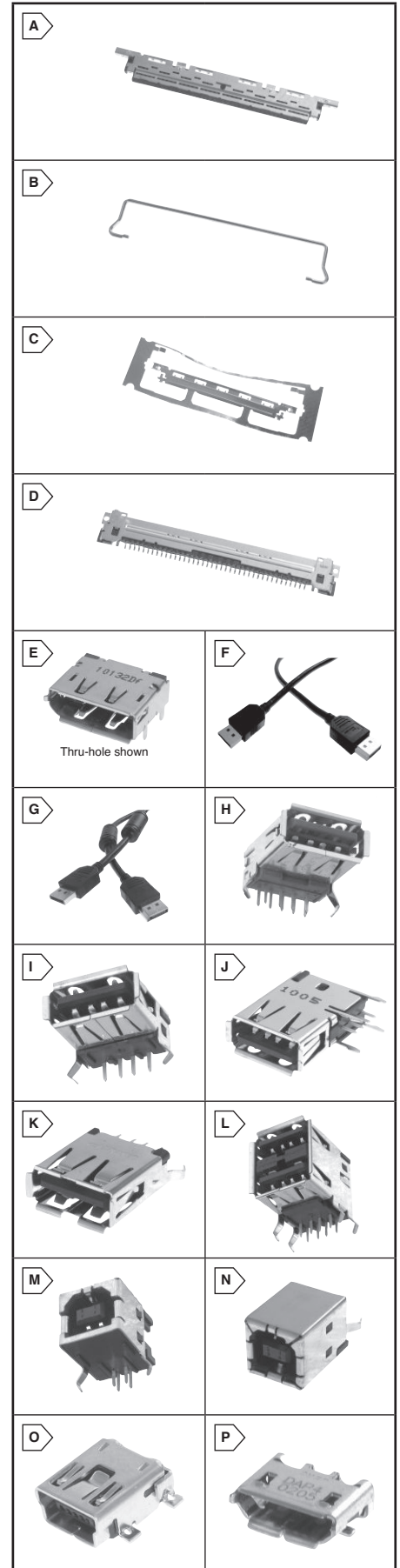
- Consolidates serial parallel, keyboards, mice and game ports
- Compatible with asynchronous and isochronous data transfer methods
- Polarized for proper orientation
- Plug and Play capability
- Hot pluggable, permitting attaching or detaching peripherals without power down or reboot
- Allows for charging

Applications:

- Desktop and Laptop Computers
- Game Ports
- Digital Audio
- Modems
- Portable Storage Devices
- Cell Phones
- GPS Devices
- MP3 Players

For quantities greater than listed, call for quote.

MOUSER STOCK NO.	TE Part No.	Fig.	Type	No. of Ports	Description	Price Each		
						1	25	50
USB								
571-292303-1	292303-1	I	A	1	Right Angle, Black, Thru-hole	1,28	1,14	1,12
571-292336-1	292336-1	J	A	1	Flag, Black, Thru-hole	3,20	3,04	2,88
571-1734366-1	1734366-1	K	A	1	Vertical, Black, Thru-Hole	0,96	0,86	0,773
571-5787617-1	5787617-1	L	A	2	Right Angle, Dual Stacked, Black, Thru-hole	3,08	2,77	2,32
571-292304-1	292304-1	M	B	1	Right Angle, Black, Thru-hole	1,24	1,18	1,07
571-292304-2	292304-2	M	B	1	Right Angle, Natural, Thru-hole	1,58	1,43	1,36
571-5787834-1	5787834-1	N	B	1	Vertical, Black, Thru-Hole	3,55	3,37	3,20
Mini USB								
571-1734035-1	1734035-1	O	B	1	Right Angle, Black, SMT	0,98	0,93	0,884
Micro USB								
571-1981568-1	1981568-1	P	B	1	Right Angle, Black, SMT	0,61	0,57	0,541



Patch Antennas and ESD/EMI Filtered USB Connectors

RoHS Compliant This product is RoHS compliant.



PATCH ANTENNAS

Features:

- Temperature stable (-40°C to +105°C)
- Low return loss
- Uniform dielectric constant
- Offset single-point feeding method

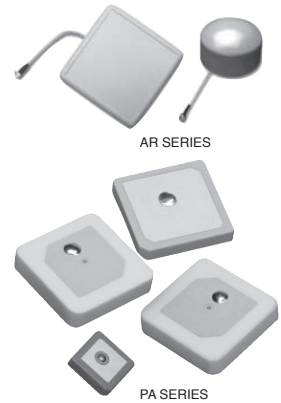
Specifications:

- Silver plated electrode and probe
- 50 Ohm impedance
- Surface Mount
- RoHS Compliant per Spectrum ASP documentation

PATCH ANTENNA ASSEMBLIES

For quantities greater than listed, call for quote.

MOUSER STOCK NO.	Spectrum ASP Part No.	Center Frequency (MHz) Application	2:1 VSWR Bandwidth (MHz)	Price Each			
				1	5	10	25
657-AR251575008CCLF	AR251575008CCLF	1575 10" SMA GPS	8	80,03	75,50	71,45	67,82
657-AR251615025CCLF	AR251615025CCLF	1615 10" SMA Globalstar	25	80,62	76,06	71,98	68,32
657-AR251621025CCLF	AR251621025CCLF	1621 10" SMA Iridium	25	82,47	77,80	73,63	69,89
657-AR451592175CCAF	AR451592175CCAF	1592 10" SMA Inmarsat TX/RX	175	109,38	103,19	97,66	92,70
* 657-AR1615CC1575XXF	AR1615CC1575XXF	1615/1575 10" SMA GPS/Globalstar	135	109,38	103,19	97,66	92,70
657-AR780915030CCLF	AR780915030CCLF	915 10" SMA RFID	30	156,01	147,18	139,29	132,21
657-AR780868030CCLF	AR780868030CCLF	868 10" SMA RFID	30	156,01	147,18	139,29	132,21



PATCH ANTENNA ELEMENTS

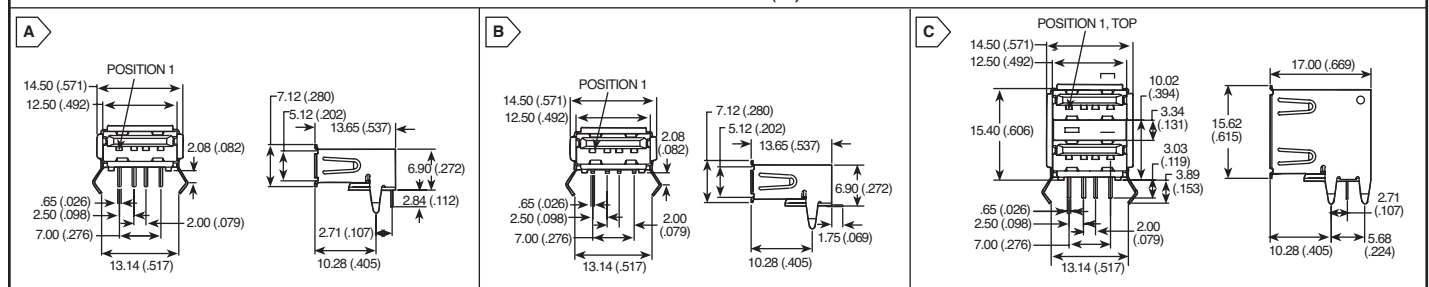
For quantities greater than listed, call for quote.

MOUSER STOCK NO.	Spectrum ASP Part No.	Center Frequency (MHz) Application	2:1 VSWR Bandwidth (MHz)	Price Each			
				1	5	10	25
657-PA251575008SALF	PA251575008SALF	1575,GPS	20	2,75	2,48	2,33	2,17
657-PA251579008SALF	PA251579008SALF	1579,GPS	20	5,77	5,45	5,26	5,12
657-PA251615025SALF	PA251615025SALF	1615,Globalstar	25	9,69	8,66	8,04	7,43
657-PA251621025SALF	PA251621025SALF	1621,Iridium	25	12,05	11,14	10,31	9,49
* 657-PA45-1615-1575SA	PA45-1615-1575SA	1615,Global Star/1575, GPS	125/20	13,66	11,39	9,76	8,54
* 657-PA45-1621-1575SA	PA45-1621-1575SA	1621,Iridium/1575, GPS	25/20	14,99	12,85	11,24	9,99

* Dual Frequency

SERIES USB-E ESD PROTECTED USB CONNECTORS

DIMENSIONS: mm (in.)



Features:

- TVS diodes for protection
- Clamping Voltage 9.8 volts
- Junction capacitance I/O to GND<10pF max.
- Product meets EN6100-4-2 EDS & EN61000-4-4 EFT specs
- Drop-in replacement for unfiltered USB connectors
- RoHS Compliant per Spectrum ASP Documentation

Specifications:

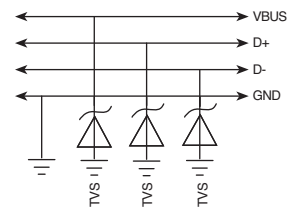
- Working Voltage: 5 VDC
- Current Rating: 1 Amp max.
- Operating Temp: -55° to +125°C
- Temperature Range: -40°C to +71°C
- Contact Resistance: 30 mΩ max.

For quantities greater than listed, call for quote.

MOUSER STOCK NO.	Spectrum ASP Part No.	Fig.	Description	Price Each			
				1	10	25	50
657-56FU04-E01	56FU04-E01	A	Right Angle Through Hole w/TVS Diodes	7,69	7,35	7,02	6,68
657-56FU04-E01-SM	56FU04-E01-SM	B	Right Angle Surface Mount w/TVS Diodes	10,03	9,12	8,37	7,71
657-56FU24-E01	56FU24-E01	C	Stacked Right Angle Through Hole w/TVS Diodes	7,06	6,75	6,44	6,14

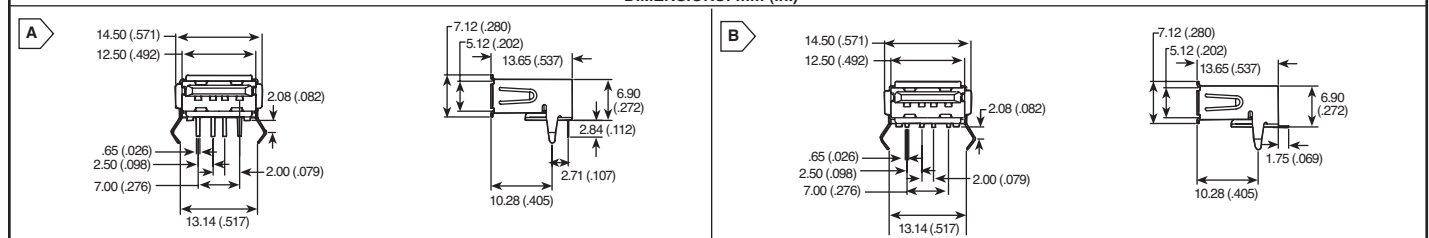
* Part # 56FU24-E01 - Junction capacitance, I/O to GND 3pF max.

Protection Schematic



SERIES USB-F EMI FILTERED USB CONNECTORS

DIMENSIONS: mm (in.)



Features:

- USB 1.1 capacitive filtering 100pF
- Drop-in replacement for unfiltered USB connectors
- **Capacitive Filtered:** Capacitance - 100pF, Dielectric Withstand Voltage - 125VDC
- Right Angle
- RoHS Compliant per Spectrum ASP documentation

Specifications:

- Working Voltage: 5 VDC
- Current Rating: 1 Amp max.
- Operating Temp: -55°C to +125°C
- Temperature Range: -40°C to +71°C
- Contact Resistance: 30 mΩ max.

For quantities greater than listed, call for quote.

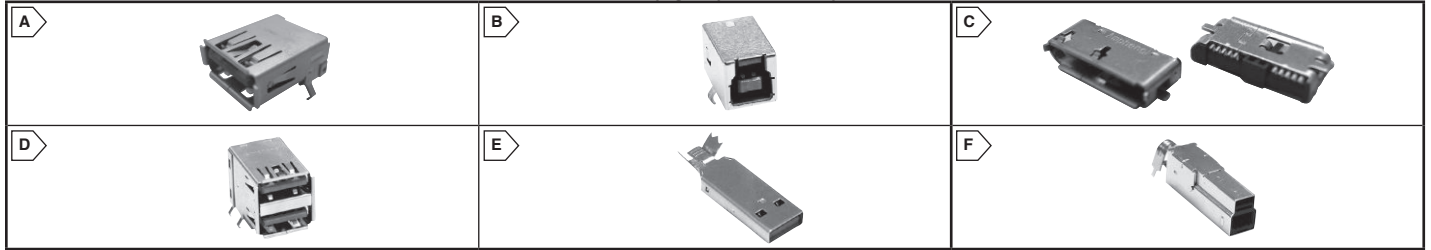
MOUSER STOCK NO.	Spectrum ASP Part No.	Fig.	Description	Capacitance	Price Each			
					1	10	25	50
657-56FU04-015	56FU04-015	A	Through Hole	10pF	2,66	2,43	2,29	2,18
657-56FU04-015-SM	56FU04-015-SM	B	Surface Mount	10pF	2,66	2,43	2,29	2,18
657-56FU04-001	56FU04-001	A	Through Hole	22pF	2,66	2,43	2,29	2,18
657-56FU04-001-SM	56FU04-001-SM	B	Surface Mount	22pF	2,66	2,43	2,29	2,18
657-56FU04-002	56FU04-002	A	Through Hole	33pF	2,66	2,43	2,29	2,18
657-56FU04-002-SM	56FU04-002-SM	B	Surface Mount	33pF	2,66	2,43	2,29	2,18
657-56FU04-003	56FU04-003	A	Through Hole	47pF	2,66	2,43	2,29	2,18
657-56FU04-003-SM	56FU04-003-SM	B	Surface Mount	47pF	2,66	2,43	2,29	2,18
657-56FU04-004	56FU04-004	A	Through Hole	100pF	2,66	2,43	2,29	2,18
657-56FU04-004-SM	56FU04-004-SM	B	Surface Mount	100pF	2,66	2,44	2,28	2,17

© Copyright 2012 Mouser Electronics

© Copyright 2012 Mouser Electronics

AMPHENOL High Speed I/O Connectors Amphenol®

RoHS Compliant This page of product is compliant.



USB 3.0

Type A and B Features:

- Fully compliant with USB 2.0 & 3.0 specifications
- Provides the interface for Super Speed up to 5 Gbps data rate
- Backwards compatible with USB 2.0
- 5 metal friction lock grounding fingers and polarization plastic design ensure plug retention
- Full metal shielding for EMI/RFI/ESD protection
- High temperature plastic for SMT process and Halogen Free solution
- High Durability class: 5000 cycles min.

Micro B Features:

- Provides the interface for Super Speed up to 5 Gbps data rate
- Stable signal transmission
- Greater real estate space savings
- Reliable Co-planarity within a 0.08mm.
- Durability: 10,000 Cycles Min.
- High temperature plastic for SMT process and Halogen Free solution

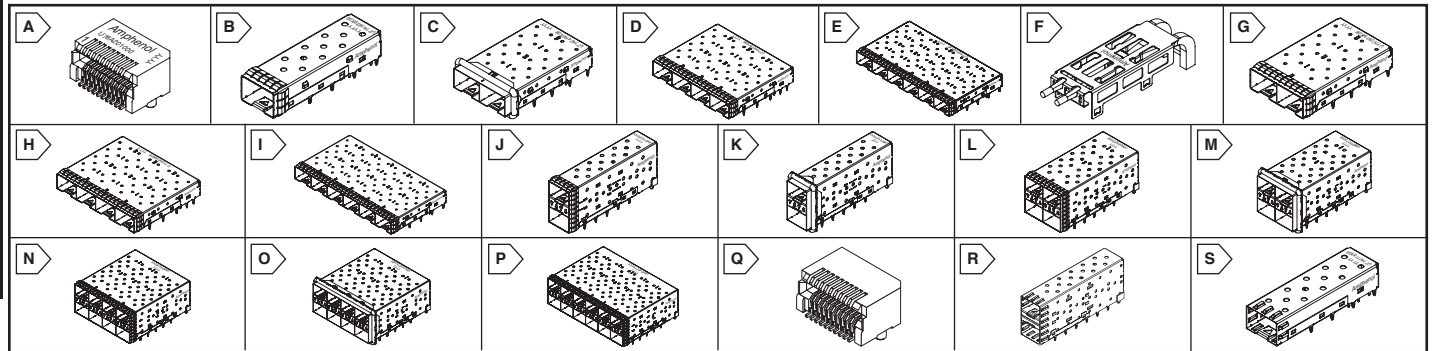
Applications:

- TV/LCD Monitor
- PC/Laptops
- Notebooks
- Printers
- DSC
- Portable Devices



For quantities greater than listed, call for quote.

MOUSER STOCK NO.	Amphenol Part No.	Fig.	Description	Price Each				
				1	25	50	100	500
523-GSB311131HR	GSB311131HR	A	Type A, Right Angle Receptacle, Through Hole, Standard Type, Blue, 30µ" Gold	2,50	1,93	1,73	1,61	1,43
523-GSB321131HR	GSB321131HR	B	Type B, Right Angle, Receptacle, Through Hole, Standard Type, Blue, 30µ" Gold	2,39	1,98	1,65	1,47	1,18
523-GSB343133HR	GSB343133HR	C	Micro-B, Right Angle Receptacle, 0.65mm Pitch, SMT, Standard Type, Black, 30µ" Gold	2,24	1,72	1,63	1,45	1,20
523-GSB311231HR	GSB311231HR	D	Type A, Stacked, Right Angle, Plug, DIP Type, Blue, 30µ" Gold	2,55	2,05	1,76	1,58	1,32
523-GSB317131HR	GSB317131HR	E	Type A, Plug, Cable Type, Overmold, Blue, 30µ" Gold	1,82	1,48	1,27	1,13	0,898
523-GSB327133WEU	GSB327133WEU	F	Type B, Plug End, Black, 30µ" Gold	2,43	1,87	1,69	1,51	1,21



ExpressPort™ SFP+

These High speed I/O interconnect systems provide a higher speed, inexpensive external I/O product. This design minimizes impedance discontinuities and reflections at high data rates, and provides a 10-20dB improvement in Near-End Crosstalk, allowing the use of longer copper cables, improved PCB mounting and resulting in an overall lower interconnect budget.

Applications:

- Routers
- Switches

Features:

- Storage Applications
- Media Converters
- Meets SFF-8432 and SFF-8433 standards
- Compliant pin press-fit tails
- 10+Gbps serial data transmission
- 250 mating cycles

For quantities greater than listed, call for quote.

MOUSER STOCK NO.	Amphenol Part No.	Fig.	Description	Price Each			
				1	10	25	100
523-UE76A203000T	UE76A203000T	A	Connector 30 u" Gold Matte Tin Tails	1,21	1,09	1,08	0,889
523-U77A16392001	U77A16392001	B	1X1 Cage Press Fit Metal Spring Fingers	3,02	2,43	2,18	2,16
523-U77A261M2081	U77A261M2081	C	1X2 Cage Metal Spring Fingers	5,60	5,09	4,47	4,41
523-U77A241M2081	U77A241M2081	C	1X2 Cage Elastomeric Gasket	7,38	6,12	5,37	5,13
523-U77A461M2081	U77A461M2081	D	1X4 Cage Metal Spring Fingers	11,70	10,06	8,80	8,08
523-U77A441M2081	U77A441M2081	D	1X4 Cage Elastomeric Gasket	12,91	10,40	10,02	8,91
523-U77A661M2081	U77A661M2081	E	1X6 Cage Metal Spring Fingers	13,57	12,77	11,57	11,16
523-U77C16133001	U77C16133001	-	1X1 Cage 3.2MM Solder tail, Metal Spring Fingers w/Light Pipe	2,02	1,80	1,62	1,47
523-U77C16192001	U77C16192001	F	1X1 Cage Press Fit Metal Spring Fingers w/Light Pipe	8,62	7,15	6,27	5,98
523-U77C261M2081	U77C261M2081	G	1X2 Cage Metal Spring Fingers w/Light Pipes	9,84	8,52	7,57	6,64
523-U77C241M2081	U77C241M2081	G	1X2 Cage Elastomeric Gasket w/Light Pipes	13,60	12,80	11,59	11,18
523-U77C461M2081	U77C461M2081	H	1X4 Cage Metal Spring Fingers w/Light Pipes	12,76	12,32	11,88	11,00
523-U77C441M2081	U77C441M2081	H	1X4 Cage Elastomeric Gasket w/Light Pipes	15,67	15,14	14,10	13,56
523-U77C661M2081	U77C661M2081	I	1X6 Cage Metal Spring Fingers w/Light Pipes	19,44	18,78	17,49	16,83
523-U77C641M2081	U77C641M2081	I	1X6 Cage Elastomeric Gasket w/Light Pipes	23,65	22,85	21,28	20,48
523-U86D162710121	U86D162710121	J	2x1 Combo Metal Spring Fingers 2 Light Pipes Per Port	10,82	10,46	9,20	9,02
523-U86D142710121	U86D142710121	K	2x1 Combo Elastomeric Gasket 2 Light Pipes Per Port	15,15	14,65	13,64	13,12
523-U86D262710121	U86D262710121	L	2x2 Combo Metal Spring Fingers 2 Light Pipes Per Port	20,72	20,04	18,65	17,94
523-U86D242710121	U86D242710121	M	2x2 Combo Elastomeric Gasket 2 Light Pipes Per Port	29,29	28,32	26,36	25,38
523-U86D462710121	U86D462710121	N	2x4 Combo Metal Spring Fingers 2 Light Pipes Per Port	38,80	37,44	37,43	34,65
523-U86D442710121	U86D442710121	O	2x4 Combo Elastomeric Gasket 2 Light Pipes Per Port	50,56	48,89	47,42	46,84
523-U86D662710121	U86D662710121	P	2x6 Combo Metal Spring Fingers 2 Light Pipes Per Port	54,20	52,28	52,27	48,43
Accessory							
523-U7711408020P	U7711408020P	-	Dust Cover - One Port	0,94	0,792	0,682	0,659

SMALL FORM FACTOR PLUGGABLE (SFP)

Amphenol's SFP series is a 20 position connector and cage combo for mounting to a host PCB with a metal cage enclosing the connector. The connectors are similar to GBIC, but are smaller in size and operate at much faster data transfer rates. Single port version is rated up to 4.125 Gbps data rates and stacked versions are rated up to 8Gbps. The cages are a one-piece construction with enhanced transceiver mating tabs available in press-fit version.

Applications:

- Servers
- Storage Devices
- Routers
- Optical Devices
- Switches
- Network Devices

For quantities greater than listed, call for quote.

MOUSER STOCK NO.	Amphenol Part No.	Fig.	Description	Price Each			
				1	25	100	500
523-UE75-A20-3000T	UE75-A20-3000T	Q	1x4 20 Position Press Fit Right Angle SMD	1,20	1,06	0,80	0,721
523-U78-B1126-00121	U78-B1126-00121	R	2x1 20 Position Connector-Cage Combo	8,36	5,82	5,01	4,23
523-U77-A1118-200T	U77-A1118-200T	S	1x1 Single Cage Press Fit 12 EMI Pins	1,03	0,872	0,697	0,655
523-U77-A4114-2001	U77-A4114-2001	-	1x4 Press Fit Cage for SMD Connector	4,13	2,78	2,55	2,30
Accessory							
523-U77-A1110-8000P	U77-A1110-8000P	-	Non-Metalized Dust Cover - 1 Port	0,06	0,046	0,045	0,041

FUJITSU microGiGaCN I/O Connectors



This product is RoHS compliant.

microGiGaCN HIGH SPEED I/O CONNECTORS

Designed for high speed differential signal applications such as 10G Ethernet, CX4, SAS, and SATA-2 applications. RoHS compliance per Fujitsu documentation.

Features:

- Matched Impedance: 100Ω ±10%
- Low insertion loss and low cross talk
- Adopted by InfinBand as 4x (4 channel) and 12x (12 channel) I/O Interface
- Meets Bellcore 1217
- Insulator Material: LCP Resin (UL94V-0)
- Conductor Material: Copper Alloy
- Contact Plating: Gold Plated

Specifications:

- Operating Temperature Range: -55°C to +105°C
- Current Rating: AC 0.5A (signal)
AC 1A (ground)
- Voltage Rating: AC 30V
- Contact Resistance: 80 mΩ max. (signal)
35 mΩ max. (ground)
- Insulation Resistance: 1000 MΩ minimum



RoHS Compliant

Socket Connectors

For quantities greater than listed, call for quote.

MOUSER STOCK NO.	Fujitsu Part No.	Fig.	Polarization Posts	Solder Posts	Price Each			
					1	5	10	25
Latch Style with Alignment Post								
817-FCN-268D008-G1D	FCN-268D008-G/1D	A	-	0.063"	6,55	6,06	5,55	5,20
817-FCN-268D008-G1F	FCN-268D008-G/1F	A	-	0.093"	7,64	6,55	6,22	5,73
Latch Style with Crush Pin Feature								
817-FCN-268D008-G2D	FCN-268D008-G/2D	A	low force	0.063"	7,13	6,64	6,13	5,78
817-FCN-268D008-G2F	FCN-268D008-G/2F	A	low force	0.093"	6,55	6,06	5,55	5,20
Thumbscrew								
817-FCN-268D008-G20	FCN-268D008-G/20	B	low force	0.063"	7,44	6,89	6,30	5,91
817-FCN-268D008-G21	FCN-268D008-G/21	B	low force	0.093"	7,44	6,89	6,30	5,91
Latch Style w/ Mounting Ears								
817-FCN-268D008-G3LR	FCN-268D008-G/3L-R	C	diamond	0.063"	9,57	8,86	8,11	7,60
817-FCN-268D008-G3MR	FCN-268D008-G/3M-R	C	diamond	0.093"	9,57	8,86	8,11	7,60
Vertical Latch Style								
817-FCN-264D008-G2D	FCN-264D008-G/2D	D	low force	0.063"	9,78	9,06	8,29	7,76
817-FCN-264D008-G2F	FCN-264D008-G/2F	D	low force	0.093"	9,78	9,06	8,29	7,76

Loopback Modules

For quantities greater than listed, call for quote.

MOUSER STOCK NO.	Fujitsu Part No.	Fig.	Number of Pairs	Price Each			
				1	5	10	25
817-FCN-261Z008	FCN-261Z008	E	8	29,47	27,28	24,97	23,39

microGiGaCN STACKING MEZZANINE CONNECTORS

Features:

- High speed matched impedance (100Ω) differential signal connector.
- Low cross talk
- Hot pluggable
- Insulator: LCP Resin (UL94V-0)
- Conductor: Copper Alloy
- Contact Plating: Au over Pd-Ni plated
- RoHS compliance per Fujitsu documentation

Specifications:

- Operating Temperature Range: -55°C to +105°C
- Current Rating: AC 0.5A (signal)
AC 1A (ground)
- Voltage Rating: AC 30V
- Contact Resistance: 80 mΩ max. (signal)
40 mΩ max. (ground)
- Insulation Resistance: 1000 MΩ minimum



RoHS Compliant

Socket Connectors

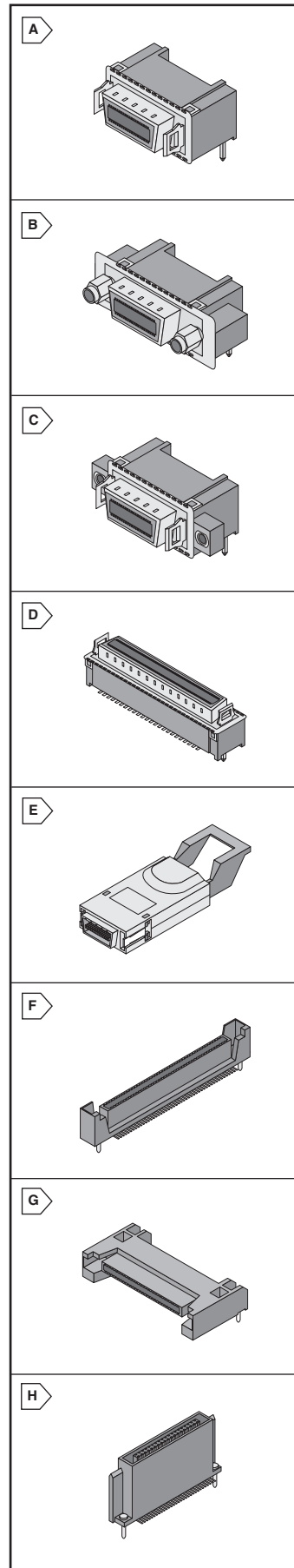
For quantities greater than listed, call for quote.

MOUSER STOCK NO.	Fujitsu Part No.	Fig.	No. of Pair Signals	No. of Contacts	Price Each			
					1	5	10	25
Vertical Mount								
817-FCN-268F012-G0D	FCN-268F012-G/0D	F	12	24 Signal/13 Ground	2,54	2,35	2,15	2,01
817-FCN-268F024-G0D	FCN-268F024-G/0D	F	24	48 Signal/25 Ground	6,32	5,85	5,35	5,02
817-FCN-268F036-G0D	FCN-268F036-G/0D	F	36	72 Signal/37 Ground	9,52	8,82	8,07	7,56
Right Angle Mount								
817-FCN-268F012-GBD	FCN-268F012-G/BD	G	12	24 Signal/13 Ground	6,12	5,67	5,19	4,86

Plug Connectors

For quantities greater than listed, call for quote.

MOUSER STOCK NO.	Fujitsu Part No.	Fig.	No. of Pairs	Stack Height	Price Each			
					1	5	10	25
Vertical Mount								
817-FCN-268M012-G0D	FCN-268M012-G/0D	H	12	8mm	4,90	4,54	4,15	3,89
817-FCN-268M012-G1D	FCN-268M012-G/1D	H	12	10mm	5,33	4,93	4,51	4,23
817-FCN-268M012-G2D	FCN-268M012-G/2D	H	12	12mm	5,51	5,11	4,67	4,37
817-FCN-268M012-G3D	FCN-268M012-G/3D	H	12	14mm	5,71	5,29	4,83	4,53
817-FCN-268M024-G0D	FCN-268M024-G/0D	H	24	8mm	7,69	7,12	6,52	6,11
817-FCN-268M024-G1D	FCN-268M024-G/1D	H	24	10mm	8,07	7,47	6,84	6,40
817-FCN-268M024-G3D	FCN-268M024-G/3D	H	24	14mm	8,81	8,16	7,47	7,00
817-FCN-268M036-G0D	FCN-268M036-G/0D	H	36	8mm	13,22	11,34	10,77	9,92
817-FCN-268M036-G3D	FCN-268M036-G/3D	H	36	14mm	12,69	11,75	10,75	10,07



Data/Network/Telecom

Fujitsu

TE High Speed I/O Connectors

RoHS Compliant This product is RoHS compliant.

QSFP+ CONNECTOR

An enhanced QSFP+ surface-mount connector that offers superior electrical performance for 40Gb/s InfiniBand and Ethernet (4x10Gb/s) standards applications. The 38 position connector meets the SFF-8436 industry standard -- including the interface and host board layout.

Features:

- Improved performance in insertion loss, return loss and crosstalk
- Upgraded internal contact and housing structure for optimized signal integrity

For quantities greater than listed, call for quote.

MOUSER STOCK NO.	TE Part No.	Fig.	Description	Price Each		
				1	5	10
571-2110819-1	2110819-1	A	38P QSFP+ 10Gbps - Everclear	5,18	4,87	4,36

QSFP SERIES CONNECTORS AND ACCESSORIES

Features:

- 4 channels at 10Gb/s per channel
- Proven springs and gasket designs for EMI containment
- Single and dual lightpipes
- Riding heatsinks for thermal dissipation, various fin heights available
- Belly-to-belly compatible (double-sided PCB's)
- Press-fit termination
- Port-to port spacing-21.0mm (through-bezel)/23.5 (behind-bezel)

Applications:

- Switches
- Routers
- Host Bust Adapters (HBA's)
- Enterprise Storage
- High Speed, High Density I/O
- Multiple Channel Interconnects

For quantities greater than listed, call for quote.

MOUSER STOCK NO.	TE Part No.	Fig.	Description	Price Each		
				1	5	10
QSFP Cage Kits						
571-1888968-1	1888968-1	B	QSFP Cage kit w/ PCI heatsink, Behind-bezel mount	26,02	25,64	24,11
571-1888968-2	1888968-2	B	QSFP Cage kit w/ SAN heatsink, Behind-bezel mount	26,02	25,65	24,13
571-1888968-3	1888968-3	B	QSFP Cage kit w/ Networking heatsink, Behind-bezel mount	26,02	24,65	22,13
571-1888631-1	1888631-1	C	QSFP Cage kit w/ PCI heatsink, Through-bezel mount	27,52	26,26	24,92
571-1888631-2	1888631-2	C	QSFP Cage kit w/ SAN heatsink, Through-bezel mount	27,52	26,26	24,92
QSFP Cages						
571-1888781-1	1888781-1	D	QSFP Cage, Behind-bezel mount	13,94	13,13	12,39
571-1888617-1	1888617-1	E	QSFP Cage, Through-bezel mount	15,31	15,05	13,76
571-1888674-1	1888674-1	E	QSFP Cage, w/ lightpipe tab, Through-bezel mount	23,20	21,91	20,62
QSFP Connector						
571-1761987-9	1761987-9	F	38 Position, EVERCLEAR, QSFP	6,30	5,97	5,59
Light Pipe						
571-1888634-1	1888634-1	G	Single lightpipe	1,07	1,01	0,951

XFP CONNECTORS AND ACCESSORIES

XFP Connectors

Specifications:

- Fully compliant to XFP MSA

Applications:

- 10 Gigabit Ethernet Switches & Routers
- 10 Gigabit Aggregator ports
- ATM/SONET/SDH (OC-192)

For quantities greater than listed, call for quote.

MOUSER STOCK NO.	TE Part No.	Fig.	Description	Price Each		
				1	5	10
571-788862-1	788862-1	H	30 Position, SMT, 15µm Gold	3,02	2,99	2,94
571-13675001	1367500-1	H	30 Pos., SMT, RoHS, 30µm Gold w/ surface treatment & enhanced contact formation for high speed signal lines	7,47	7,10	6,74

XFP Accessories

For quantities greater than listed, call for quote.

MOUSER STOCK NO.	TE Part No.	Fig.	Description	Price Each		
				1	5	10
571-1489951-1	1489951-1	I	XFP Press Fit Cage	17,11	17,08	17,00
571-1489948-2	1489948-2	J	XFP Heat Sink Clip	1,53	1,46	1,38
571-1542656-2	1542656-2	K	XFP Heat Sink, PCI Applications	12,65	12,02	11,42
571-1542618-2	1542618-2	K	XFP Heat Sink, SAN Applications	12,65	12,02	11,42

XENPAK/XPAK/X2 CONNECTOR

For quantities greater than listed, call for quote.

MOUSER STOCK NO.	TE Part No.	Fig.	Description	Price Each		
				1	5	10
571-1367337-1	1367337-1	L	70 Position, SMT, 15µm Gold	7,88	7,48	7,11

X2 GUIDE RAILS

For quantities greater than listed, call for quote.

MOUSER STOCK NO.	TE Part No.	Fig.	Description	Price Each		
				1	5	10
571-13676101	1367610-1	M	X2, press-fit, standard	16,44	15,33	14,96

EVERCLEAR MINI-SAS MULTI LANE HIGH SPEED CONNECTORS

Features:

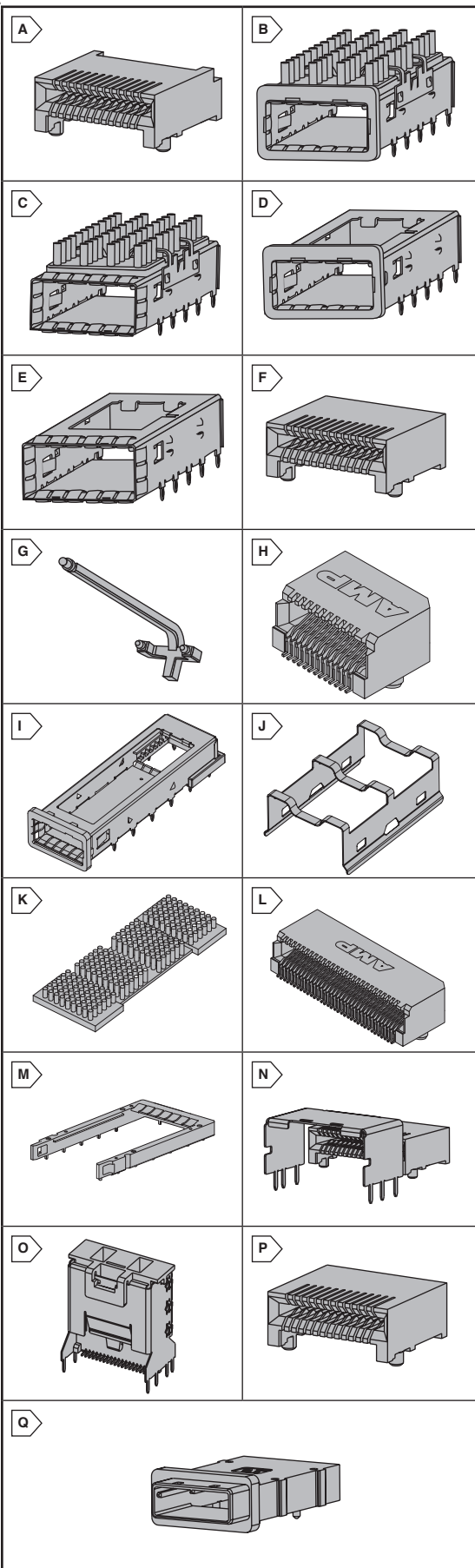
- 26 and 36 position receptacles
- Supports data rates up to 6Gb/s
- High density 0.6mm contact spacing
- SMT PCB attachment for high speed signaling
- Keying options available

Applications:

- High Speed I/O
- Multiple Channels Interconnects
- Internal and External SAS and SATA

For quantities greater than listed, call for quote.

MOUSER STOCK NO.	TE Part No.	Fig.	Description	Price Each		
				1	5	10
Internal						
571-1888019-6	1888019-6	N	R/A Combo, 36 pos, 2.8 mm tail length, Dual Key	5,26	5,07	4,80
571-1888174-4	1888174-4	O	Vertical Combo, 36 pos, 2.8 mm tail length, Dual Key	5,25	5,07	4,80
571-1888863-4	1888863-4	O	Vertical Combo, 36 pos, 2.8 mm tail length, Universal Key	6,12	5,80	5,59
External						
571-1761987-7	1761987-7	P	Right Angle Receptacle, 26 position	3,54	3,35	3,18
571-1888321-1	1888321-1	Q	Right Angle Shield, 1 Port, Key 4	7,40	6,93	6,33



Data/Network/Telecom

TE Connectivity

MOLEX SFP+, SFP and QSFP Connectors

SFP+ (SMALL FORM-FACTOR PLUGGABLE PLUS) CONNECTORS

SFP+ supports next generation speeds of standard SFP applications.

Features and Benefits:

Stacked Multi-Port Connectors (76044,76046,76090,76092):

- Capable of handling 10 Gbps data rates
- Elastomeric or metal gasket options for EMI requirements
- Integrated lightpipes
- Press-fit termination
- Stacked cages available in 2-16 ports (see Mouser Sales Rep for more info)

Passive Cable Assembly (74752):

- Copper cable can handle speeds up to 10 Gbps
- Re-designed pull latch enables belly-to-belly cable use
- Improved backshell design conforms to SFP-8431 spec
- Backwards compatible with standard SFP

RoHS Compliant

For quantities greater than listed, call for quote.

MOUSER STOCK NO.	Molex Part No.	Fig.	Description	Tail Plating	Price Each		
					1	5	10
SFP+ Stacked Multi-Port Connectors							
538-76090-0001	76090-0001	A	2x1 w/ lightpipes, elastomeric gasket	Tin-Lead	26,17	24,75	23,99
538-76090-5001	76090-5001	A	2x1 w/ lightpipes, elastomeric gasket	Tin	28,96	27,39	26,54
538-76091-5001	76091-5001	A	2x2 w/ lightpipes, elastomeric gasket	Tin	57,94	55,56	53,10
538-76092-5001	76092-5001	A	2x4 w/ lightpipes, elastomeric gasket	Tin	115,83	111,85	106,17
538-76093-0001	76093-0001	A	2x5 w/ lightpipes, elastomeric gasket	Tin-Lead	130,83	124,56	119,91
538-76093-5001	76093-5001	A	2x5 w/ lightpipes, elastomeric gasket	Tin	144,80	137,87	132,72
538-76094-0001	76094-0001	A	2x6 w/ lightpipes, elastomeric gasket	Tin-Lead	157,00	151,48	143,91
538-76094-5001	76094-5001	A	2x6 w/ lightpipes, elastomeric gasket	Tin	173,77	167,66	159,28
538-76044-0001	76044-0001	A	2x1 w/ lightpipes, metal gasket	Tin-Lead	17,91	17,17	15,91
538-76046-0001	76046-0001	A	2x4 w/ lightpipes, metal gasket	Tin-Lead	71,66	65,48	63,69
SFP+ Passive Cable Assemblies							
538-74752-1101	74752-1101	B	1 meter, copper cable, 30awg	-	81,14	77,24	72,11
538-74752-2301	74752-2301	B	3 meter, copper cable, 28awg	-	106,35	101,02	95,98
538-74752-1301	74752-1301	B	3 meter, copper cable, 30awg	-	100,04	99,99	88,92
538-74752-4501	74752-4501	B	5 meter, copper cable, 24awg	-	193,17	193,10	171,71
538-74752-9004	74752-9004	B	10 meter, copper cable, 24awg	-	209,59	199,11	189,17
SFP+ Adapters							
538-74765-0904	74765-0904	-	Loopback adapter, 5.Odb	-	92,52	90,61	88,54
538-74765-0906	74765-0906	-	Loopback adapter, 0.Odb	-	87,92	86,85	78,15

SFP (SMALL FORM-FACTOR PLUGGABLE) CONNECTORS

From single port cages and connectors to full integrated multi-port products with lightpipes, Molex offers a full range of solutions for the high port density SFP Applications.

Features and Benefits:

- Data rates up to 2.5Gbps
- All metal cage provides EMI protection
- User friendly latch design
- Copper cable assemblies in various lengths
- Single, ganged, or stacked cages
- Industry standard HSSDC2 interface

For quantities greater than listed, call for quote.

MOUSER STOCK NO.	Molex Part No.	Fig.	Description	Price Each		
				1	5	10
Receptacles						
538-74441-0001	74441-0001	C	SFP SMT recept, Right Angle, 20 pos, 15µ"Au	2,53	2,39	2,15
538-74441-0010	74441-0010	C	SFP SMT recept, Right Angle, 20 pos, 30µ"Au	4,42	3,58	2,96
538-74703-0007	74703-0007	C	HSSDC2 recept, R/A, 7 pos, InfiniBand keyed	17,26	16,23	13,80
538-74703-0107	74703-0107	C	HSSDC2 recept, R/A, 7 pos, fiber channel keyed	19,20	18,01	15,34
Plugs						
538-74720-0510	74720-0510	D	SFP EMI plug	11,59	10,60	9,69
538-75951-0999	75951-0999	-	SFP dust plug	0,63	0,562	0,511
Cages						
538-74737-0009	74737-0009	E	1 piece cage, press-fit tails	3,35	3,24	3,07
538-74737-0010	74737-0010	E	1 piece cage, solder post tails	2,17	2,13	2,08
538-74737-0016	74737-0016	E	1 piece cage, press-fit tails, for PCI applications	2,51	2,29	2,23
538-73927-0402	73927-0402	E	1x4 ganged cage, solder post tails	14,40	13,44	12,66
538-75462-0001	75462-0001	E	Stacked 2x1 cage w/ connector, press-fit tails	13,00	12,25	11,55
538-75640-0001	75640-0001	E	Stacked 2x1 cage w/ conn, lite pipes, press-fit tails	19,29	18,42	17,67
Cable Assemblies and Adapters						
538-73929-0001	73929-0001	F	SFP plug to plug, passive, 1 meter, 26AWG	92,22	84,74	78,55
538-73929-0002	73929-0002	F	SFP plug to plug, passive, 3 meter, 26AWG	117,65	109,79	103,52
538-73929-0003	73929-0003	F	SFP plug to plug, passive, 5 meter, 26AWG	156,92	147,16	138,74
538-73939-1001	73939-1001	F	HSSDC2 plug to plug, fiber channel, 0.5 meter	44,13	40,46	34,73
538-73939-1002	73939-1002	F	HSSDC2 plug to plug, fiber channel, 1 meter	44,13	38,61	33,09
538-73939-1004	73939-1004	F	HSSDC2 plug to plug, fiber channel, 3 meter	67,87	59,38	50,90
538-74720-0501	74720-0501	-	SFP Loopback adapter, 35.0dB attenuation	69,50	65,99	61,76
538-74720-0503	74720-0503	-	SFP Loopback adapter, 5.0dB attenuation	67,87	55,00	53,59
538-74720-0502	74720-0502	-	SFP Loopback adapter, 0.0dB attenuation	44,33	42,47	40,53

XFP CONNECTORS (Z-AXIS PLUGGABLE SOLUTIONS)

XFP represents the new 10 Gigabit Small Form Factor Pluggable system of modules and interconnects that convert serial electrical signals to external serial optical or electrical signals. The components include an industry-standard pluggable module, cage hardware and IC interfaces. The technology is designed to support 10 Gigabit Fibre Channel, 10 Gigabit Ethernet and OC192/STM-64

Molex's 30-circuit XFP host connector enables the use of emerging gigabit-speed hot-pluggable transceiver modules for horizontal, front panel access. It conforms to the host-board layout as defined in the 10 Gigabit Small Form Factor Pluggable (XFP) Multi-source Agreement (MSA) for 10-Gigabit data rates.

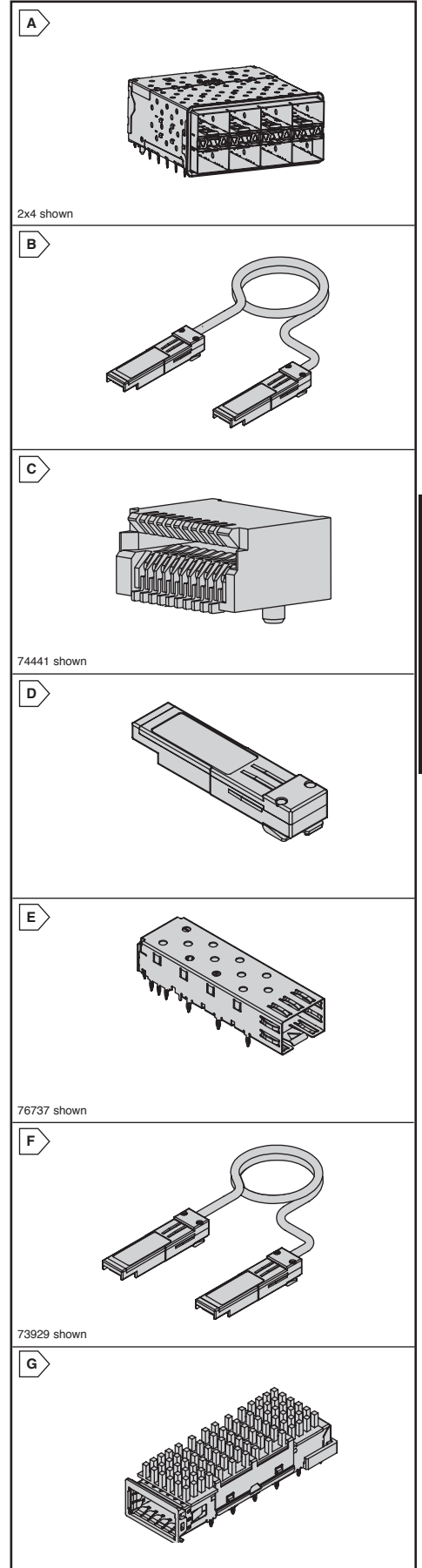
Features and Benefits:

- Capable of handling 10 Gbps data rates
- Universal transceiver design
- EMI protection

RoHS Compliant

For quantities greater than listed, call for quote.

MOUSER STOCK NO.	Molex Part No.	Fig.	Description	Price Each		
				1	25	50
XFP Host Receptacles						
538-74441-0007	74441-0007	C	0.80mm, 30P, R/A, SMT, 15µ" Au	5,15	4,86	4,24
538-74441-0017	74441-0017	C	0.80mm, 30P, R/A, SMT, 30µ" Au	6,96	6,96	6,96
XFP Cage Assemblies						
538-74736-0220	74736-0220	G	Cage without heatsink or clip	21,74	19,32	18,22
538-74736-0221	74736-0221	G	Cage with PCI heatsink	37,18	35,95	33,62
538-74736-0222	74736-0222	G	Cage with SAN heatsink	21,33	20,81	20,08
538-74736-0223	74736-0223	G	Cage with TALL heatsink	36,30	34,41	31,52
XFP Cage Accessories						
538-74736-0230	74736-0230	-	Heatsink Clip	1,89	1,77	1,70
538-74736-0240	74736-0240	-	PCI Heatsink	13,57	12,66	12,04
538-74736-0241	74736-0241	-	SAN Heatsink	13,57	13,00	12,30



2x4 shown

74441 shown

74703 shown

73929 shown

73929 shown

74441 shown

MOLEX QSFP+, TRIAD™, INFINIBAND and XFP Connectors molex one company • a world of innovation

QSFP (QUAD SMALL FORM FACTOR PLUGGABLE) CONNECTORS

The QSFP connector, cage, cable assemblies and loopbacks are part of a highly-integrated system that combines optimal real estate, power and port density.

The QSFP Multi Source Agreement (MSA) document specifies a transceiver mechanical form factor with latching mechanism, host-board electrical edge connector and cage. The hot-pluggable transceiver integrates 4 transmit and 4 receive channels. Molex's QSFP transceiver can replace up to 4 standard SFP transceivers. The result is greater port density and overall system cost savings over traditional SFP products.

Features and Benefits:

- EMI shielding to bezel and transceiver
- Data rates up to 5 Gbps per lane
- One piece press-fit cage
- SMT connector design
- Hot pluggable transceiver
- Zinc die-cast back shells on cable plug



RoHS Compliant

For quantities greater than listed, call for quote.

MOUSER STOCK NO.	Molex Part No.	Fig.	Description	Price Each		
				1	5	10
QSFP Host Receptacle						
538-75586-0011	75586-0011	A	0.80mm, 38P, R/A, SMT, 30µ" Au	5,87	5,36	4,90

MOUSER STOCK NO.	Molex Part No.	Fig.	Description	Price Each		
				1	5	10
QSFP Cage						
538-74750-0021	74750-0021	B	Single port, EMI shield, press-fit, spring fingers	19,25	18,27	17,37

MOUSER STOCK NO.	Molex Part No.	Fig.	Description	Price Each		
				1	5	10
QSFP Passive Cable Assemblies						
538-74757-2101	74757-2101	C	1 meter, 28 awg	117,20	112,17	107,81
538-74757-3101	74757-3101	C	1 meter, 28 awg	118,81	113,67	107,38
538-74757-2301	74757-2301	C	3 meter, 28 awg	130,90	119,46	103,62

MOUSER STOCK NO.	Molex Part No.	Fig.	Description	Price Each		
				1	5	10
QSFP Adapters						
538-74763-0010	74763-0010	-	Loopback adapter, 0.0dB	96,29	89,58	88,12
538-74763-0015	74763-0015	-	Loopback adapter, 5.0dB	96,29	89,58	85,59
538-74763-0020	74763-0020	-	Loopback adapter, 0.0dB, 12C, 100 ohms	113,70	105,77	101,07
538-74763-0025	74763-0025	-	Loopback adapter, 5.0dB, 12C, 100 ohms	113,70	105,77	101,07

TRIAD™ DIFFERENTIAL PAIR CONNECTORS

Achieve bandwidths up to 5.0 Gbps and beyond and available in 18, 28, and 48 circuit versions with TDP. The innovative TDP (Triad Differential Pair) family uses the Triad design of differential signal and ground lines to achieve optimal bandwidths for cable-to-board interconnections. The shielded, dual row interface offers high-speed and 100-ohm controlled impedance. The TDP family is comprised of a fully shielded receptacle and plug to provide maximum EMI/RFI protection.

Features and Benefits:

- Board Mount Receptacle (74960):
 - Inline SMT leads on 0.64mm (.025") pitch provide direct PCB routing
 - High cycle LFH shrouded contact system
- Cable Plug Connector (75000):
 - LFH contact design
 - Terminates to 24 to 32 AWG
- Backshell Kit (75115):
 - Kit contains two-piece die cast shell and two jackscrews



RoHS Compliant

For quantities greater than listed, call for quote.

MOUSER STOCK NO.	Molex Part No.	Fig.	No. of Circuits	Description	Price Each		
					1	10	25
Receptacles							
538-76641-0001	76641-0001	D	18	1.27mm, Vertical, Through Hole, Press-fit pegs	18,03	15,78	14,02
538-74960-3018	74960-3018	E	18	1.27mm, right angle, SMT, Press-fit pegs	14,29	12,65	12,65
538-74960-3028	74960-3028	E	28	1.27mm, right angle, SMT, Press-fit pegs	17,32	15,84	14,32
538-74960-3048	74960-3048	E	48	1.27mm, right angle, SMT, Press-fit pegs	23,81	21,25	19,12

MOUSER STOCK NO.	Molex Part No.	Fig.	No. of Circuits	Description	Price Each		
					1	10	25
Plugs							
538-75000-1018	75000-1018	F	18	1.27mm plug, shielded	13,36	12,14	11,54
538-75000-1028	75000-1028	F	28	1.27mm plug, shielded	16,89	15,35	14,58
538-75000-1048	75000-1048	F	48	1.27mm plug, shielded	18,58	16,89	16,05
538-75115-0018	75115-0018	G	18	Plug backshell kit, black, 4-40 jackscrews	13,02	12,14	11,45
538-75115-0028	75115-0028	G	28	Plug backshell kit, black, 4-40 jackscrews	13,26	12,37	11,66
538-75115-0048	75115-0048	G	48	Plug backshell kit, black, 4-40 jackscrews	14,09	13,14	12,39

INFINIBAND CONNECTORS AND CABLES (LANELINK™)

The InfiniBand architecture is an approach to I/O technology that was created by industry's top computer manufacturers to address the need for greater scalability, reliability, availability and performance in and around servers.

Molex's LaneLink™ 4 lane and 12 lane I/O connectors and cable assemblies incorporate an industry compatible interface compliant with Infiniband requirements.

Features and Benefits:

- Cable Assembly:
 - Squeeze-to-release latch provides positive latch/unlatch
 - Diecast backshell provides EMI protection
 - 100% testing to InfiniBand industry standard



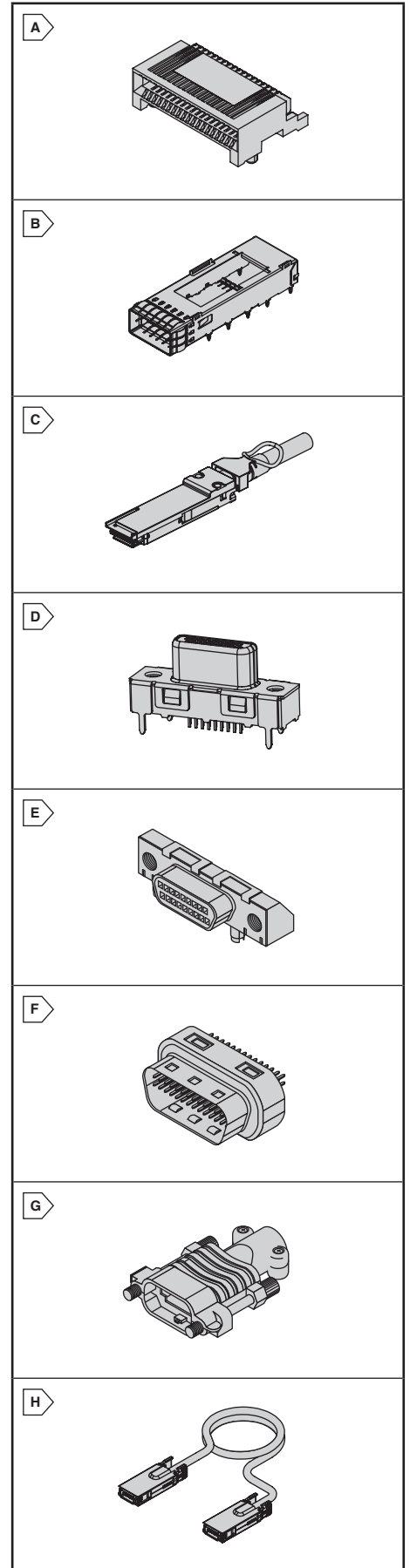
RoHS Compliant

For quantities greater than listed, call for quote.

MOUSER STOCK NO.	Molex Part No.	Fig.	Description	Price Each		
				1	5	10
Cable Assemblies						
538-74506-3001	74506-3001	H	0.50mm, 4X, 28 AWG, 0.50 meter	127,28	112,94	100,74
538-74506-3002	74506-3002	H	0.50mm, 4X, 28 AWG, 1 meter	101,81	90,19	80,59
538-74506-3003	74506-3003	H	0.50mm, 4X, 28 AWG, 3 meter	113,26	109,67	102,83

© Copyright 2012 Mouser Electronics

© Copyright 2012 Mouser Electronics

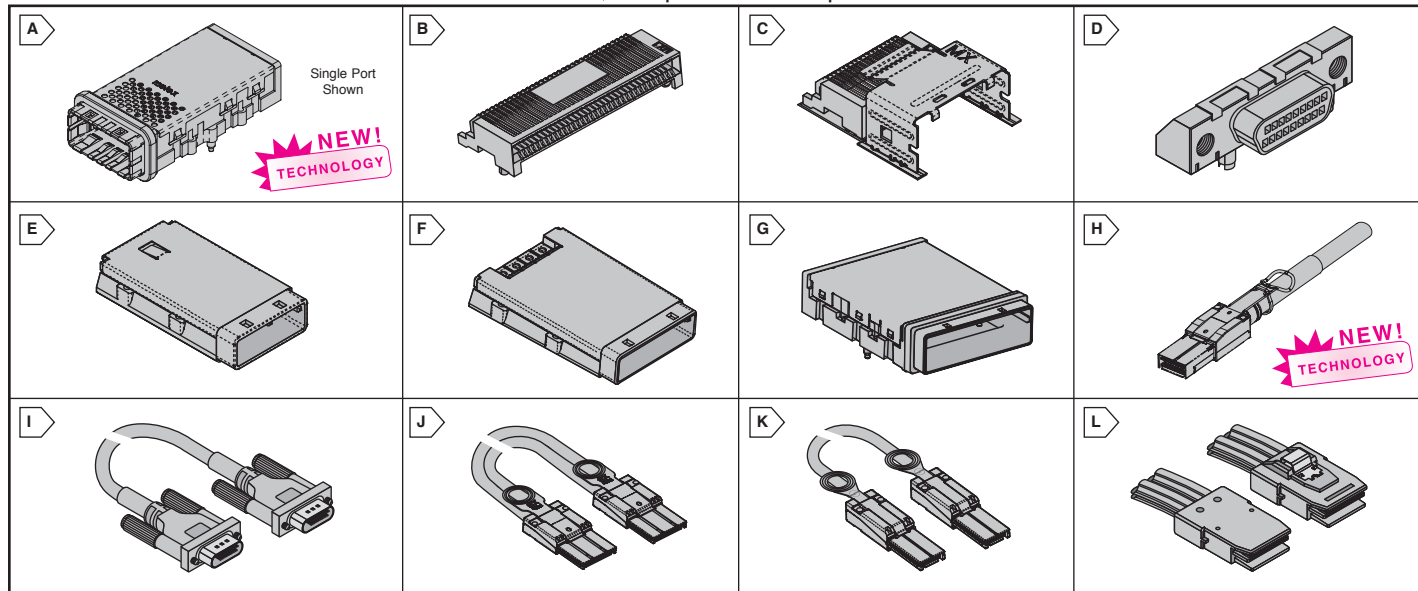


MOLEX iPass™ and iPass+™ Connectors



This product is RoHS compliant.

molex
one company > a world of innovation



iPass™ CONNECTORS

iPass+ CXP (Series 76105 & 76024): iPass+ CXP enables 12 channels of 10-Gbps data, for up to 120Gbps of total bandwidth. This new technology results in one of the fastest and highest density I/O's in the market.
External iPass Connectors (Series 75586): The SMT design provides placement options on both sides of the PCB, as well as placements stability. Standoffs allow for easy PCB cleaning after soldering.
iPass+ CXP (Series 170465): Enhanced footprint connectors transmit signals over 10 lanes for up to 100 Gbps, meeting the new industry-leading 100 Gigabit Ethernet specification
Internal iPass Connectors (Series 75783): These 0.80mm (.031") pitch connectors include hood kits for internal applications. Acting as a disposable pick-and-place cap, the pre-positioning device aligns the connector to the hood during robotic placement. It offers 3 keying options.



RoHS Compliant

For quantities greater than listed, call for quote.

MOUSER STOCK NO.	Molex Part No.	Fig.	No. of Pos.	Contact Plating	Pitch	Description	Price Each	
							1	5
iPass+™ CXP Pluggable - External Applications								
538-76105-0584	76105-0584	A	84	30µ" Gold	0.8mm (.031")	Single Port, Press-Fit, RA integrated cage and connector assembly, Infini Band	27,47	26,92
538-170465-0002	170465-0002	A	84	30µ" Gold	0.8mm (.031")	Single Port, Press-Fit, RA integrated cage and connector assembly, 100 Gigabit Ethernet	50,49	45,44
538-76024-0568	76024-0568	A	84/84	30µ" Gold	0.8mm (.031")	Dual port stacked, Press-fit, RA integrated cage and connector	87,97	83,56
iPass™ External Applications								
538-75586-0009	75586-0009	B	26	30µ" Gold	0.8mm (.031")	SMT, Right-Angle Receptacle	5,68	5,19
538-75586-0011	75586-0011	B	38	30µ" Gold	0.8mm (.031")	SMT, Right-Angle Receptacle	5,87	5,36
538-75586-0007	75586-0007	B	68	30µ" Gold	0.8mm (.031")	SMT, Right-Angle Receptacle	16,42	14,53
538-75586-0004	75586-0004	B	26	15µ" Gold	0.8mm (.031")	SMT, Right-Angle Receptacle	4,98	4,55
538-75586-0010	75586-0010	B	38	15µ" Gold	0.8mm (.031")	SMT, Right-Angle Receptacle	7,64	7,64
iPass™ Internal Applications								
538-75783-0132	75783-0132	C	36	15µ" Gold	0.8mm (.031")	SMT, R/A Receptacle and Thru-hole Hood Kit for Internal Applications, Universal Key, 1.57mm tail	3,91	3,56
538-75783-0140	75783-0140	C	36	15µ" Gold	0.8mm (.031")	SMT, R/A Receptacle and Thru-hole Hood Kit for Internal Applications, Universal Key, 2.79mm tail	14,46	13,16
538-74960-3018	74960-3018	D	18	15µ" Gold	1.27mm (.050")	1X SMT, Right-Angle Receptacle for Internal Applications	14,29	14,29

iPass™ GUIDE FRAMES

The guide from gasket delivers improved EMI performance and the die cast frame provides a robust cable-to-chassis interface. It also features a screw attachment to the PCB, offering a durable I/O connection for large cable bundles during the cable management process.



RoHS Compliant

For quantities greater than listed, call for quote.

MOUSER STOCK NO.	Molex Part No.	Fig.	Description	Price Each	
				1	5
538-74548-0211	74548-0211	E	Universal 1X Cage, 0 Degree Standard Host Card, Port Keying 4	9,73	9,23
538-74548-0111	74548-0111	E	Universal 1X Cage, 1 Degree PCI Slot Card, Port Keying 4	7,85	7,58
538-74540-0400	74540-0400	F	4X PCIe Cage, 1 Degree PCI Slot Card	11,51	11,20
538-74540-0100	74540-0100	F	8X PCIe Cage, 1 Degree PCI Slot Card	13,20	12,54
538-75581-0002	75581-0002	G	16X Right Angle, Press-Fit, Integrated Cage and Connector Assembly	55,12	53,81

iPass+™ & iPass™ CABLE ASSEMBLIES



RoHS Compliant

iPass+ CXP Copper Cable Assemblies (series 111025): Built to CXP specifications to be compliant up to QDR speeds per InfiniBand Architecture Specification Volume 2.1.2.1
4X External Cable Assemblies (series 74546, 74547, 74576): Its high performance paddle-card design with impedance matching helps reduce crosstalk and provide improved signal integrity. The assembly also features a flexible, low profile, latch-pull mechanism that is easily accessible in high density applications. An EMA gasket seals the plug interface.
Internal Cable Assemblies (series 79576): The internal cable assemblies can support SAS generation I (3.0 Gbps) and II (6.0 Gbps) bandwidths, as well as SATA generation I (1.5 Gbps) and II (3.0 Gbps) bandwidths. Delivering up to four times the port density of the current 4X offering, the assemblies are overmolded and have an attached direct-wire termination. They provide options for active and passive latch versions, transition cables to legacy SFF-8484 4X SAS interfaces, and breakout cables to individual SATA or SAS drives. The cable assemblies provide 100-ohm differential impedance with tight skew control and low cross talk. They also offer multiple cable lengths as a standard, as well as custom lengths upon request.

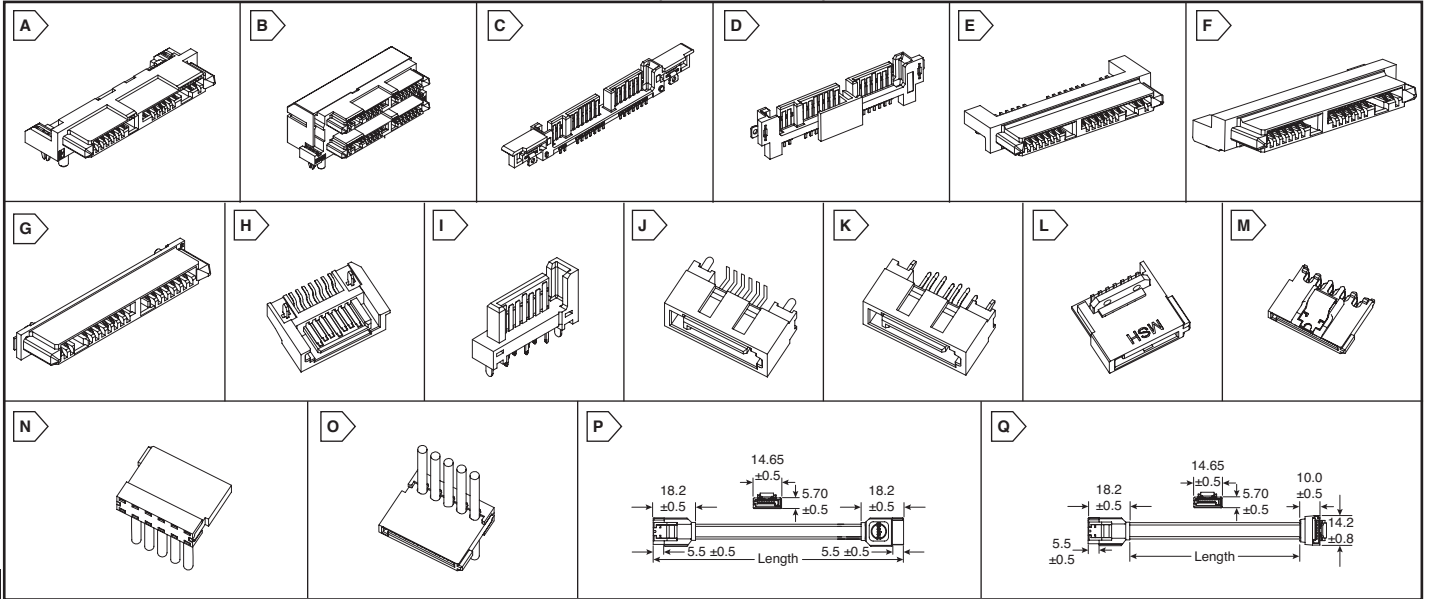
For quantities greater than listed, call for quote.

MOUSER STOCK NO.	Molex Part No.	Fig.	No. of Pos.	Contact Plating	Pitch	Standard	Description	Price Each	
								1	5
iPass+™ CXP Pluggable - External Applications									
538-111025-1201	111025-1201	H	84	Gold over Nickel	0.8mm (.031")	QDR Infiniband	12X QDR, up to 120Gbps, 1M (3.3ft.)	152,97	150,96
iPass™ External Applications									
538-74576-0001	74576-0001	I	18	15µ" Gold	.64mm (.025")	PCI Express	1X Cable, 28 AWG, 1M (3.3ft.)	33,73	32,14
538-74546-0401	74546-0401	J	38	Gold over Nickel	.8mm (.031")	PCI Express	4X Cable, 28 AWG, 1M (3.3ft.)	296,53	262,50
538-74546-0801	74546-0801	J	68	Gold over Nickel	.8mm (.031")	PCI Express	8X Cable, 28 AWG, 1M (3.3ft.)	248,57	248,57
538-74546-1601	74546-1601	J	136	Gold over Nickel	.8mm (.031")	PCI Express	16X Cable, 28 AWG, 1M (3.3ft.)	276,57	263,96
538-74547-0120	74547-0120	K	26	Gold over Nickel	.8mm (.031")	Mini-SAS	4X Cable, 28 AWG, 1M (3.3ft.) 2, 4 and 6 Keyed	48,87	45,40
538-74547-0301	74547-0301	K	26	Gold over Nickel	.8mm (.031")	Mini-SAS	4X Cable, 28 AWG, 1M (3.3ft.) 2, 4 and 6 Keyed	60,41	52,70
iPass™ Internal Applications									
538-79576-2105	79576-2105	L	36	Gold over Nickel	.8mm (.031")	Mini-SAS	4X Cable, Controller to Backplane w/Sidebands, 30 AWG, 1M	19,62	18,87
538-79576-2104	79576-2104	L	36	Gold over Nickel	.8mm (.031")	Mini-SAS	4X Cable, Controller to Backplane w/Sidebands, 28 AWG, 1M	20,65	20,60
538-79576-2114	79576-2114	L	36	Gold over Nickel	.8mm (.031")	Mini-SAS	4X Cable, Controller to Controller w/Sidebands, 28 AWG, 1M	17,17	16,35

MOLEX Micro SAS Serial ATA Connectors

molex
one company > a world of innovation

RoHS Compliant This product is RoHS compliant.



MICRO SAS CONNECTORS

DIMENSIONS: mm

Features:

- Micro SAS connectors feature small connector footprint and offer greater PCB real estate saving
- Satisfies SAS 2.0 Specifications that enables fast data rates of up to 6Gbps
- Application of Micro SAS Plug in 1.8" form factor drives (SSD or HDD)
- 100% backward compatible with Molex Micro Serial ATA and is intermateable with Micro Serial ATA parts that have a mid-rib in the connector housing
- Keying features and guide rails on connectors prevent mis-mating of parts and ensure smooth entry of Plugs to Receptacles



RoHS Compliant

For quantities greater than listed, call for quote.

MOUSER STOCK NO.	Molex Part No.	Fig.	No. of Pos.	Contact Plating	Description	Price Each		
						1	10	25
538-78395-0001	78395-0001	A	25	30µ" Gold	Right Angle, SMT	12,54	10,97	8,78
538-78495-0001	78495-0001	B	50	30µ" Gold	Dual-stacked, through hole, Right Angle	30,90	28,42	26,15

MICRO-SATA CONNECTORS



RoHS Compliant

Features:

- Staggered contact lengths for First-Mate-Last-Break
- Guide pocket for plug and guide post for receptacle
- Power segment key
- Prevents insertion for non-micro SATA power cables
- LCP UL94V0 housing
- Allows blind mating

For quantities greater than listed, call for quote.

MOUSER STOCK NO.	Molex Part No.	Fig.	No. of Pos.	Style	Contact Plating	Pitch	Description	Price Each		
								1	10	25
Plugs										
538-78103-0001	78103-0001	C	7S+9P	Right Angle	Gold	1.27mm (.050")	SMT for 1.8" Hard Disk Drive	6,99	6,11	5,44
538-78285-0001	78285-0001	D	7S+9P	Right Angle	Gold	1.27mm (.050")	SMT for 1.8" Solid State Drive	5,08	4,44	3,94
Receptacles										
538-78109-0001	78109-0001	E	7S+9P	Right Angle	Gold	1.27mm (.050")	SMT for 1.8" Hard Disk Drive	8,62	7,53	6,70
538-78320-0001	78320-0001	F	7S+9P	Right Angle	Gold	1.27mm (.050")	SMT for 1.8" Solid State Drive	6,07	5,31	4,72
538-78492-0001	78492-0001	G	7S+9P	Vertical	Gold	1.27mm (.050")	SMT for 1.8" Solid State Drive/HardDisk Drive	7,84	7,44	6,84

SERIAL ATA CONNECTORS



RoHS Compliant

Features:

- First-mate/last-break contacts support hot plugging
- Lead-free product
- Current: 1.5A max.
- Voltage: 15V max.
- Withstanding Voltage: 500V AC

For quantities greater than listed, call for quote.

MOUSER STOCK NO.	Molex Part No.	Fig.	No. of Pos.	Style	Contact Plating	Pitch	Description	Price Each		
								1	10	25
Mates with 67489 Series										
538-47080-4005	47080-4005	H	7	Right-Angle	15µ" Gold	1.27mm (.050")	SMT Signal Plug, Peg and Locking Latch with solder tab	1,24	1,09	0,996
538-67490-1225	67490-1225	H	7	Right-Angle	15µ" Gold	1.27mm (.050")	SMT Signal Plug, Peg and Locking Latch with beveled metal pin	1,19	1,04	0,921
538-67491-0022	67491-0022	I	7	Vertical	15µ" Gold	1.27mm (.050")	Thru-Hole High Speed Header, 2.05mm PC Tail Length, thermal plastic	2,12	1,86	1,64
538-67491-1032	67491-1032	J	7	Vertical	15µ" Gold	1.27mm (.050")	Thru-Hole High Speed Header, 2.05mm PC Tail Length	1,24	1,09	0,953
538-67800-5005	67800-5005	K	7	Vertical	15µ" Gold	1.27mm (.050")	SMT High Speed Header, PCB Locator Pegs	1,24	1,09	1,01
538-67800-8005	67800-8005	K	7	Vertical	15µ" Gold	1.27mm (.050")	Thru-Hole High Speed Header, 2.45mm PC Tail Length	1,83	1,59	1,31
Mates with 47080, 67490, 67491, 67800 Series										
538-67489-8005	67489-8005	L	7	Vertical	15µ" Gold	1.27mm (.050")	Signal Connector without Latch	1,08	0,95	0,787
Use with 67926-0040 and 67926-0041: 18 AWG Wire Size										
538-67926-0001	67926-0001	M	5	Right-Angle	Gold Flash	3.81mm (.150")	IDT Power Receptacle with Latch, without Bump	1,56	1,37	1,25
538-67926-0011	67926-0011	M	5	Right-Angle	Gold Flash	3.81mm (.150")	IDT Power Receptacle with Bump, without Latch	1,48	1,31	1,14
Covers										
538-67926-0040	67926-0040	N	5	---	---	---	Cover for Serial ATA IDT Power Receptacle, Feed-To Type	0,30	0,266	0,238
538-67926-0041	67926-0041	N	5	---	---	---	Cover for Serial ATA IDT Power Receptacle, Feed-Through Type	0,30	0,266	0,238

SERIAL ATA CABLE ASSEMBLIES

Locking latches for signal cables have recently been approved by the Serial ATA Working Group. Positive locking latches ensure cables will stay connected.

Features:

- High speed data transfer Generation 2 (300 MBps)
- Device can be hot swapped without shutting down or restarting the system
- Plug and Play under Windows® 98 Second Edition, Windows® Me, Windows® 2000 and Windows® XP
- Built-in RAID support
- User-friendly latch provides secure mating

Specifications:

- Wire Size: 26 AWG
- Contact: Copper (Cu) Alloy
- Plating Contact: 0.76µm (30µ") Gold (Au)
- Color: Red
- Current: 1.5A max.
- Voltage: 40V max



RoHS Compliant

For quantities greater than listed, call for quote.

MOUSER STOCK NO.	Molex Part No.	Fig.	Length m (ft)	Pitch	Description	Price Each		
						1	10	25
538-68561-0014	68561-0014	P	.5 (1.64)	1.27mm (.050")	Serial ATA Straight Latching to Straight Latching Signal Cable	2,21	2,05	1,83
538-68561-0015	68561-0015	P	1 (3.28)	1.27mm (.050")	Serial ATA Straight Latching to Straight Latching Signal Cable	2,59	2,41	2,14
538-68561-0016	68561-0016	Q	.5 (1.64)	1.27mm (.050")	Serial ATA Straight Latching to Right Angle Latching Signal Cable	2,74	2,46	2,23
538-68561-0017	68561-0017	Q	1 (3.28)	1.27mm (.050")	Serial ATA Straight Latching to Right Angle Latching Signal Cable	2,94	2,59	2,32

© Copyright 2012 Mouser Electronics

© Copyright 2012 Mouser Electronics

TE PICMG® Standard Connectors

TE Connectivity supports AdvancedTCA (ATCA), AdvancedMC (AMC) and MicroTCA (μTCA) PICMG® standards with a full complement of products to meet the wide array of applications and markets where these standard configurations will be used. These products include both the fully compliant interconnects that are specified in the PICMG® standards, as well as additional connectors that product designers need to customize their solutions for their specific markets.

ADVANCED TCA

Zone 1 Power Connector

- High conductivity, precision formed contacts
- Precision formed compliant terminations offer excellent retention to provide a reliable connection

For quantities greater than listed, call for quote.

MOUSER STOCK NO.	AMP Part No.	Fig.	Description	Price Each			
				1	5	10	25
571-1766500-1	1766500-1	A	Right angle plug	43,30	40,07	38,97	37,81
571-1766501-1	1766501-1	B	Vertical receptacle	32,91	29,62	27,98	26,08

Zone 2 High Speed Connector

- Designed specifically for high speed differential applications
- Optimized footprint for improved electrical performance
- Designed to meet Telcordia requirements

For quantities greater than listed, call for quote.

MOUSER STOCK NO.	AMP Part No.	Fig.	Description	Price Each			
				1	5	10	25
571-6469002-1	6469002-1	C	4 Pair vertical header	15,69	14,35	13,90	13,88
571-6469001-1	6469001-1	D	4 Pair right angle receptacle	19,18	17,84	17,64	17,30

Zone 3 High Speed Connector

- Designed specifically for high speed differential applications
- Optimized footprint for improved electrical performance
- Designed to meet Telcordia requirements

For quantities greater than listed, call for quote.

MOUSER STOCK NO.	AMP Part No.	Fig.	Description	Price Each			
				1	5	10	25
571-6469048-1	6469048-1	E	4 Pair right angle header	32,97	29,30	27,57	25,84

ATCA GUIDE MODULES

- Configurations for front board and backplane as well as midplane and coplanar applications in the RTM
- Vertical and right angle pins to support right angle and coplanar board configurations
- Guide pins are available in short or long lengths

For quantities greater than listed, call for quote.

MOUSER STOCK NO.	AMP Part No.	Fig.	Description	ATCA Name	ATCA Location	Price Each			
						1	25	50	100
571-1469269-2	1469269-2	F	Rear alignment post PCB 3.00 - 4.00	rK1	Backplane	8,54	7,67	7,26	6,13
571-1-1469372-1	1-1469372-1	G	Right angle male, keyed	A2 (RTM)	Rear Transition	6,02	5,97	5,92	5,53
571-1-1469373-1	1-1469373-1	H	Right angle female, keyed	K1/K2	Front Board	5,18	5,14	5,09	4,76
571-9-1469373-9	9-1469373-9	H	Right angle female, unkeyed dummy	K1/K2	Front Board	3,53	3,13	2,95	2,77
571-1469374-1	1469374-1	H	Right angle female	K1/K2	Rear Transition	3,71	3,25	2,89	2,59
571-1-1469387-1	1-1469387-1	G	Vertical male, keyed, short	A1	Backplane	3,71	3,49	3,18	2,97
571-1-1469388-1	1-1469388-1	G	Vertical male, keyed, long	A2	Mid-Plane	3,74	3,32	3,12	2,92

MICRO TCA

- Press-fit connector per MicroTCA.0 specification
- Connector designed so that custom load patterns are easily created
- Single overmolded wafer design
- With wear plate

Vertical Card Edge Connector for AMC

For quantities greater than listed, call for quote.

MOUSER STOCK NO.	AMP Part No.	Fig.	Description	Price Each			
				1	5	10	25
571-1-1469820-1	1-1469820-1	I	Without locating posts	18,72	16,99	16,17	15,56
571-1-1469820-2	1-1469820-2	I	With locating posts	23,16	22,06	20,59	19,29

1.00MM FREE HEIGHT FOR IEEE-1386

- For board stacking applications
- Meets EIA-700 AAAB specifications for IEEE 1386 applications
- High density packaging on 1.0 (.039) centerline spacing

For quantities greater than listed, call for quote.

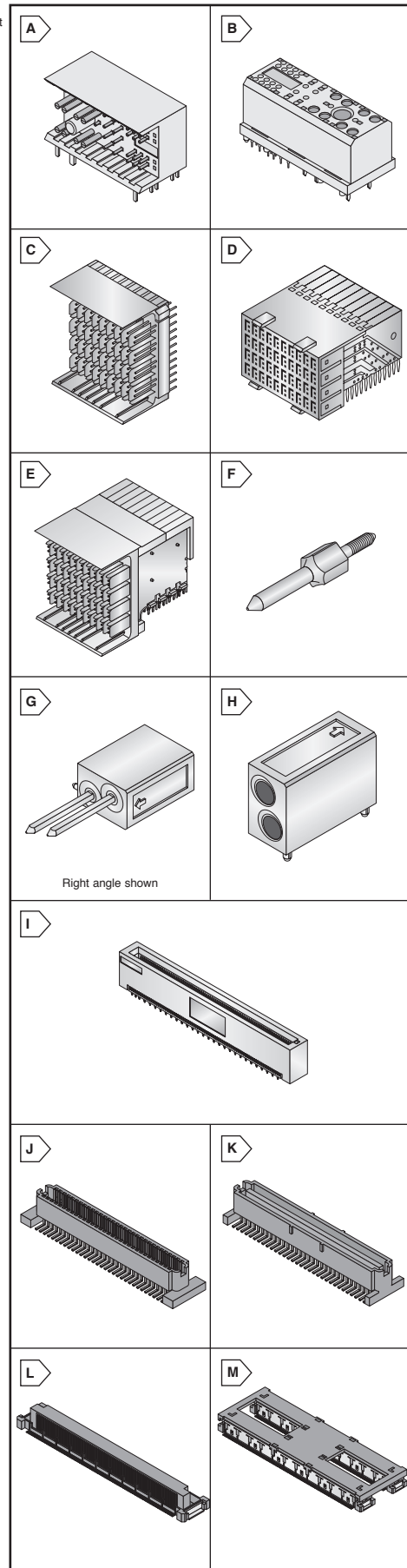
MOUSER STOCK NO.	AMP Part No.	Fig.	Positions	Stack Height	Price Each			
					1	5	10	25
Receptacle								
571-5146893-1	5146893-1	J	64	8mm and 10mm	4,42	4,06	3,74	3,44
Plug								
571-5146888-1	5146888-1	K	64	10mm	7,80	7,10	6,46	5,88

0.50MM FREE HEIGHT FOR COM EXPRESS

- Parallel board to stacking for applications that require high density
- Specified by the PICMG COM Express standard
- Bridged connectors - Two connectors held together with a carrier

For quantities greater than listed, call for quote.

MOUSER STOCK NO.	AMP Part No.	Fig.	Positions	Description	Price Each			
					1	5	10	25
Receptacle								
571-3-6318490-6	3-6318490-6	L	220	Single part	10,55	10,23	9,80	9,59
571-3-1827231-6	3-1827231-6	L	440	Bridged part	25,13	24,37	23,33	21,31
Plug								
571-3-1827253-6	3-1827253-6	M	220	Single part for 5mm stack height	14,65	14,12	13,62	13,34
571-3-1827233-6	3-1827233-6	M	440	Bridged part for 5mm stack height	34,64	33,59	32,15	29,38
571-3-6318491-6	3-6318491-6	M	220	Single part for 8mm stack height	14,65	14,12	13,62	13,34
571-3-5353652-6	3-5353652-6	M	440	Bridged part for 8mm stack height	34,64	33,59	32,15	29,38



HARTING AdvancedMC™ Connectors for μTCA™ and ATCA®



ADVANCEDMC™ CONNECTORS FOR MICROTCA™ (μTCA™)

MicroTCA™ is an open industry standard developed by the PCI Industrial Computer Manufacturers Group (PICMG). In a MicroTCA™ system, AdvancedMC™ modules are plugged directly into a backplane and not into a carrier board. As a result MicroTCA™ system shelves are smaller and cheaper than AdvancedTCA® systems, yet powerful enough to address the needs of telecom, enterprise and medical applications.

Features:

- Differential pins are isolated by the distance between signal and ground pins, resulting in low cross talk and excellent high speed performance
- Design according to: PICMG MicroTCA.0
- HARTING con:card+™ technology for significant increase in connector reliability

For quantities greater than listed, call for quote.

MOUSER STOCK NO.	HARTING Part No.	Fig.	No. of Contacts	Pin Length (mm)	Description	Price Each		
						1	10	25
617-16-11-170-5202	16 11 170 5202 000	A	170	2.1	Card edge, straight	15,86	14,28	13,49

AdvancedMC™ Connector for AdvancedTCA™ (ATCA™)

Advanced Telecommunications Computing Architecture (AdvancedTCA®) is an open industry standard developed by the PCI Industrial Computer Manufacturers Group (PICMG). Defined by PICMG 3.0, the AdvancedTCA® series of specifications targets the requirements of the next generation of carrier grade telecommunications equipment. To extend the functionality and modularity of AdvancedTCA® carrier boards, PICMG developed the Advanced Mezzanine Card (AdvancedMC™) standard AMC.0.

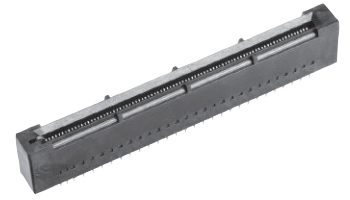
Features:

- Superior transmission performance at high data transmission speeds designed to minimize interferences from cross talk and reflections
- Design according to: PICMG AMC.0

For quantities greater than listed, call for quote.

617-16-04-170-5106	16 04 170 5106 000	B	170	2.0	Card edge, angled type B+ with peg	43,92	39,64	37,65
------------------------------------	--------------------	---	-----	-----	------------------------------------	-------	-------	-------

A AdvancedMC™ Connector for μTCA™ Card Edge Connector, Straight



B AdvancedMC™ Connectors for ATCA® Card Edge Connector, Angled Type B+ with pegs



HAR-MIK® SCSI (SMALL COMPUTER SYSTEM INTERFACE) I/O CONNECTORS

Features:

- Meets SCSI-3 Specifications
- Pin and Socket
- Pitch: 1.27 mm
- Current rating: 1 A
- Contact resistance: ≤ 30mΩ
- Temperature Range: -55°C - +105°C
- Contacts: Copper Alloy
- Moldings: Thermoplastic resin, glass fiber filled - UL94V-0



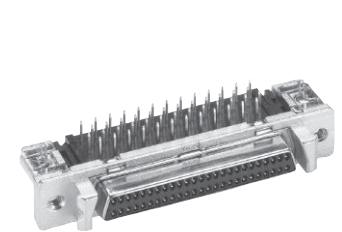
SCSI Female PCB Connectors

For quantities greater than listed, call for quote.

MOUSER STOCK NO.	HARTING Part No.	Fig.	No. of Contacts	Term.	Pin Length (mm)	Description	Price Each			
							1	10	25	50
Straight										
617-60-01-050-5102	60 01 050 5102	A	50	Solder Pins	3.4	with latch system	5,47	4,93	4,64	4,38
617-60-01-068-5102	60 01 068 5102	A	68	Solder Pins	3.4	with latch system	8,09	7,28	6,86	6,47
Right Angle										
617-60-01-050-5140	60 01 050 5140	A	50	Solder Pins	3.4	with latch system	5,52	4,96	4,69	4,40
617-60-01-068-5140	60 01 068 5140	A	68	Solder Pins	3.4	with latch system	8,70	7,54	6,86	6,56

†† Panel fixing: M2.5, Board fixing: board lock

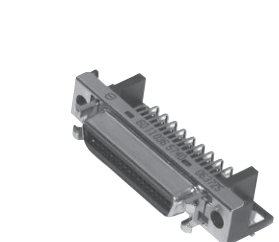
A har-mik® SCSI Female PCB with Solder Pins 60-01-050-5140 Illustrated



B har-mik® SCSI IDC Cable Mount Male 60-03-068-5210 Illustrated



C har-mik® SCSI Female SMC Right Angle 60-11-036-5740-710 Illustrated



SCSI IDC Cable Mount Connectors

For quantities greater than listed, call for quote.

MOUSER STOCK NO.	HARTING Part No.	Fig.	No. of Contacts	Description	Price Each			
					1	10	25	50
Male								
617-60-03-050-5200	60 03 050 5200	B	50	for discrete wire 28/30 AWG	4,58	4,12	3,89	3,66
617-60-03-068-5200	60 03 068 5200	B	68	for discrete wire 28/30 AWG	6,67	6,00	5,66	5,33
617-60-03-068-5210	60 03 068 5210	B	68	for discrete wire 28/30 AWG	6,67	6,00	5,66	5,33
617-60-06-050-5440	60 06 050 5440	B	50	for flat cable, .635 mm, 30 AWG	10,83	10,27	9,94	9,47
617-60-06-068-5440	60 06 068 5440	B	68	for flat cable, .635 mm, 30 AWG	12,55	11,30	10,67	10,05
Female								
617-60-04-050-5343	60 04 050 5343	B	50	for flat cable w/ latch system, .635 mm	13,97	12,57	11,88	11,18
617-60-04-068-5343	60 04 068 5343	B	68	for flat cable w/ latch system, .635 mm	18,80	16,92	15,99	15,04
617-60-04-068-5344	60 04 068 5344	B	68	for flat cable w/ screw lock system, .635 mm	17,84	16,06	15,17	14,28

* with 0.50-0.65mm diameter insulation

† with 0.65-0.80mm diameter insulation

SCSI Female SMC Right Angle Connectors

For quantities greater than listed, call for quote.

MOUSER STOCK NO.	HARTING Part No.	Fig.	No. of Contacts	Description	Price Each			
					1	10	25	50
617-60110145740710	60110145740710	C	14	Bellow contacts with fixed latch	3,25	2,99	2,68	2,59

Hoods

For quantities greater than listed, call for quote.

MOUSER STOCK NO.	HARTING Part No.	Fig.	No. of Contacts	Description	Price Each			
					1	10	25	50
617-60-03-050-0255	60 03 050 0255	-	50	Metal hood with latch	5,85	5,55	5,36	5,11
617-60-03-068-0255	60 03 068 0255	-	68	Metal hood with latch	6,99	6,29	5,95	5,60

© Copyright 2012 Mouser Electronics

© Copyright 2012 Mouser Electronics



This product is RoHS compliant.

USB WITH POSITIVE LOCKING: LUSB SERIES

The design of Amphenol's USB, Series A with this unique latching mechanism has been developed to address the major concern of unintentional interruption of data transmission. The latch must be intentionally raised in order to remove the plug. An accidental pull on the cable up to 22 lbs force will not separate connectors.

Features:

- Current Rating: 1.5 Amps
- Dielectric Withstanding Voltage: 500VAC
- Operating Temperature: -40°C to +85°C
- Meets military shock and vibration levels
- Locking tab: Stainless Steel
- Contact Plating: 30µ" Gold over nickel
- Housing: UL94V-0 Black

Applications:

- Industrial
- Mobile Communication
- Automotive



For quantities greater than listed, call for quote.

MOUSER STOCK NO.	Amphenol Part No.	Fig.	Description	Price Each			
				1	10	25	100
523-LUSBA11100	LUSBA11100	A	USB Receptacle, Single, Type A with Positive Locking	1,95	-	-	-

HARSH ENVIRONMENT USB CONNECTORS: MUSB SERIES

Amphenol's MUSB series represents a unique and innovative USB connector design. This design provides the ideal solution for data transfer in harsh or demanding environments against physical and environmental conditions. These connectors are underwater submersible rather than just water resistant in both mated and unmated conditions. They are absolutely unshaken by hostile environmental elements.

Features:

- IP67 sealed in mated and unmated conditions
- Meets military shock and vibration levels
- Shell: Metal die cast
- Finish: Nickel
- Housing: UL94V-0 Black
- Rear shielded
- Contact Plating: 30µ" Gold
- Number of Contacts: 4 per port
- Current Rating: 1.5 Amps
- Voltage Rating: 100 VDC @ -25°C to +85°C
- Dielectric Withstanding Voltage: 500VAC, RMS, 60Hz 1 minute
- Operating Temperature: -40°C to +105°C



For quantities greater than listed, call for quote.

MOUSER STOCK NO.	Amphenol Part No.	Fig.	No. of Contacts Per Port	No. of Ports	Description	Price Each				
						1	10	25	50	
USB Receptacles										
523-MUSB-A111-30	MUSB-A111-30	A	4	1	Type A Right Angle PCB Mount	8,64	8,10	7,88	6,94	
523-MUSB-A211-30	MUSB-A211-30	B	4	1	Type A Right Angle PCB Mount w/Cable Header	17,32	15,88	14,66	13,60	
523-MUSB-A311-30	MUSB-A311-30	C	4	1	Type A Right Angle PCB Mount w/USB Termination	19,29	17,43	16,10	14,93	
523-MUSB-C111-30	MUSB-C111-30	D	4	2	Type A Right Angle Stacked PCB Mount	8,22	7,49	6,44	6,42	
523-MUSB-C211-30	MUSB-C211-30	E	4	2	Type A Right Angle Stacked PCB Mount w/Cable Header	15,49	14,29	14,23	12,89	
523-MUSB-C311-30	MUSB-C311-30	F	4	2	Type A Right Angle Stacked PCB Mount w/USB Termination	15,10	14,74	14,38	12,58	
523-MUSB-A511-00	MUSB-A511-00	G	4	1	Type A Vertical PCB Mount	6,91	6,37	5,41	5,38	
523-MUSB-C511-00	MUSBC51100	H	4	2	Type A Vertical Stacked PCB Mount	11,89	10,81	10,44	9,57	
523-MUSBD11130	MUSBD11130	I	5	1	Type B Right Angle PCB Mount	7,47	6,81	6,28	5,82	
523-MUSB-D111-31	MUSB-D111-31	J	5	1	Type B Right Angle PCB Mount w/Gray Dust Cover	9,22	8,53	8,14	7,65	
523-MUSB-D511-00	MUSBD51100	K	5	1	Type B Vertical Stacked PCB Mount	8,23	7,52	6,93	6,41	
Mini USB Receptacles										
523-MUSB-B151-34	MUSBB15134	L	5	1	Type B Right Angle PCB Mount	9,17	8,39	7,25	7,14	
523-MUSB-B511-04	MUSBB51104	M	5	1	Type B Vertical PCB Mount	9,87	9,13	8,73	8,19	
523-MUSBE15134	MUSBE15134	L	5	1	Type AB Right Angle PCB Mount	9,71	8,87	8,17	7,56	

Accessories

For quantities greater than listed, call for quote.

MOUSER STOCK NO.	Amphenol Part No.	Description	Price Each			
			1	10	25	50
523-MUSB2A111014BP	MUSB2A111014BP	Rugged Dust Cover, Type A, Gray	1,19	1,06	0,95	0,88
523-MUSB2A111024BP	MUSB2A111024BP	Rugged Dust Cover, Type A, Mini USB, Black	1,20	1,12	0,95	0,933
523-MUSB2D11004BP	MUSB2D11004BP	Rugged Dust Cover, Type B, Gray	0,77	0,704	0,642	0,581
523-MUSB2E151005BP	MUSB2E151005BP	Rugged Dust Cover, Type B, Mini USB, Gray	0,88	0,739	0,713	0,678

HARSH ENVIRONMENT MODULAR JACK CONNECTORS: MRJ SERIES

Amphenol's MRJ series represents a unique and innovative RJ connector design. This design provides the ideal solution for network data transfer in harsh and demanding environmental conditions. These connectors are underwater submersible rather than just water resistant in both mated and unmated conditions. They are absolutely unshaken by hostile environmental elements.

Features:

- Cat 5 ethernet performance
- IP67 sealed in mated and unmated conditions
- Meets military shock and vibration levels
- Available with optional integrated LEDs
- Shell: Metal die cast
- Will not allow RJ11 to enter
- Finish: Nickel
- Housing: UL94V-0 Black
- Contact Plating: 30µ" Gold
- Number of Contacts: 8
- Contact tail length: .100"
- Current Rating: 1.5 Amps
- Voltage Rating: 100 VDC @ -25°C to +85°C
- Dielectric Withstanding Voltage: 500VAC, RMS, 60Hz 1 minute
- Operating Temperature: -40°C to +105°C



For quantities greater than listed, call for quote.

MOUSER STOCK NO.	Amphenol Part No.	Fig.	Description	Price Each			
				1	10	25	100
523-MRJ-5380-01	MRJ-5380-01	I	RJ45 PCB Receptacle, Right Angle, no LEDs	8,69	7,87	7,22	6,62
523-MRJ-5381-01	MRJ-5381-01	I	RJ45 PCB Receptacle, Right Angle, Yellow/Green LEDs	9,29	8,47	7,64	7,03
523-MRJ-5385-01	MRJ-5385-01	I	RJ45 PCB Receptacle, Right Angle, Green/Green LEDs	9,23	8,59	8,15	7,61
523-MRJ-5480-01	MRJ548001	I	RJ45 PCB Receptacle, Vertical, no LEDs	12,44	11,41	10,52	9,78
523-MRJ548101	MRJ548101	I	RJ45 PCB Receptacle, Vertical, Yellow/Green LEDs	11,16	11,08	10,50	9,69
523-MRJ-5485-01	MRJ548501	I	RJ45 PCB Receptacle, Vertical, Yellow/Green LED's	12,64	11,59	10,69	9,87
523-MRJ-5580-01	MRJ-5580-01	J	RJ45 PCB Receptacle, Right Angle, w/ Cable Header, no LEDs	19,88	18,36	17,22	16,98
523-MRJ-5780-01	MRJ-5780-01	K	RJ45 PCB Receptacle, Right Angle, w/RJ45 Termination, no LEDs	13,10	12,33	11,83	11,18

Accessories

523-MRJ-2586-10BP	MRJ258610BP	-	Rugged RJ45 Dust Cover	0,85	0,757	0,695	0,639
523-MRJ-258E-11-BP	MRJ-258E-11-BP	-	Rugged RJ45 Boot-Plug	1,72	1,43	1,42	1,19

ENVIRONMENTALLY SEALED D-SUB CONNECTORS: MDB SERIES

The Rugged MDB series offers cost efficient environmentally sealed D-Sub connectors with screw machine contacts and high performance thermoplastic or metal die cast shells.

Features:

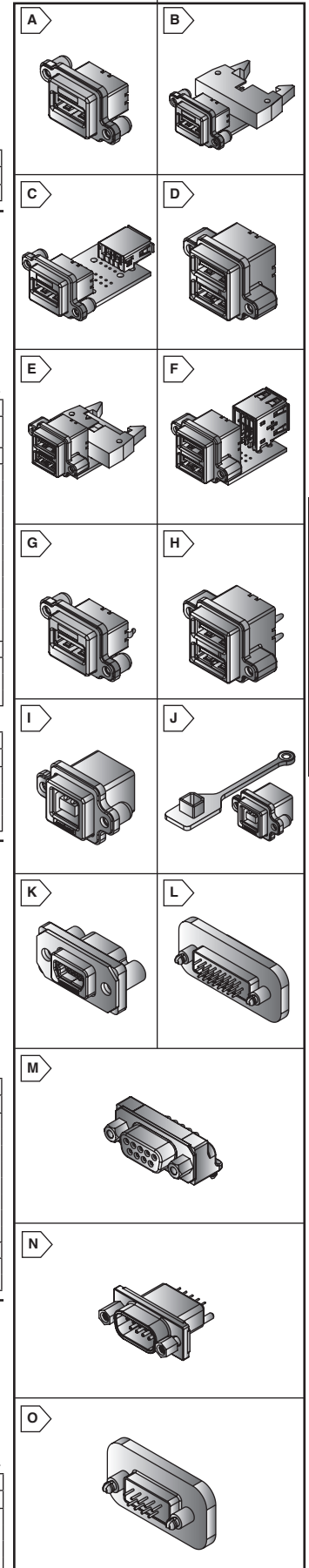
- IP67 sealed in mated and unmated conditions
- Number of Contacts: 9 & 26
- Contact Plating: 30µ" Gold
- Current Rating: 5 Amps
- Voltage Rating: 200 VDC, 125 VAC
- Dielectric Withstanding Voltage: 500 VDC @25°C & 50 mA max
- Insulator/Shell: UL94V-0
- Gasket: Silicone rubber
- Operating temperature: -40°C to +105°C

Applications:

- Industrial
- Military Communications
- Marine
- Automotive

For quantities greater than listed, call for quote.

MOUSER STOCK NO.	Amphenol Part No.	Fig.	Description	No. of Pos.	Price Each			
					1	10	25	50
523-MDB-A26PE-860	MDBA26PE860	L	PCB Male, Vertical, metal die cast shell, 4-40 threads	26	29,20	26,53	25,73	22,46
523-MDB-E09SA-700	MDB-E09SA-700	M	PCB Female, R/A, thermoplastic shell, 4-40 threads	9	9,66	8,93	8,60	8,02
523-MDBE09PE860	MDBE09PE860	N	PCB Male, Vertical, metal shell, 4-40 threads	9	16,20	14,81	13,63	12,27
523-MDBE09SE860	MDBE09SE860	O	PCB Female, Vertical, metal die cast shell, 4-40 threads	9	13,19	12,18	11,81	10,74



Data/Network/Telecom Amphenol

AMPHENOL® Rugged Ethernet Connection System Amphenol®

RJF EZ ETHERNET COMPOSITE CONNECTORS

- IP68, Sealed against fluids and dusts
- No tools required
- Can use a standard RJ45 cordset
- Quick lever coupling

For quantities greater than listed, call for quote.

MOUSER STOCK NO.	Amphenol Part No.	Fig.	Description	Price Each		
				1	5	10
523-RJFEZ6	RJFEZ6	A	Rectangular, Plastic, Black Plug	8,22	7,34	6,65
523-RJFEZ21	RJFEZ21	B	Rectangular Plastic Panel Mount, RJ45, Black Receptacle	15,19	13,59	12,31
523-RJFEZ2203100BTX	RJFEZ2203100BTX	C	Panel Mount with RJ45 cordset, 0.3M, Black Receptacle	41,53	38,24	35,41
523-RJFEZ2205100BTX	RJFEZ2205100BTX	C	Panel Mount with RJ45 cordset, 0.5M, Black Receptacle	44,62	42,39	40,27
RJFEZ Accessories				1	5	10
523-RJFEZBE	RJFEZBE	-	Rectangular Plastic Cap for Receptacle	9,22	8,28	7,54
523-RJFEZJE	RJFEZJE	-	Gasket for Panel Mount Receptacle	0,76	0,68	0,62

RJ11 FIELD CONNECTION SYSTEM

- Transversely potted and sealed without cap
- Accommodates a standard RJ11 cordset
- Four mechanical coding/polarization possibilities for the user
- MIL-C-26482
- Bayonet coupling

For quantities greater than listed, call for quote.

MOUSER STOCK NO.	Amphenol Part No.	Fig.	Description	Price Each		
				1	5	10
Plugs						
523-RJ11F6B	RJ11F6B	D	Plastic Gland, Black	45,12	43,77	42,99
523-RJ11F6N	RJ11F6N	D	Plastic Gland, Nickel	62,51	52,94	51,92
Receptacles						
523-RJ11F21B	RJ11F21B	E	Panel Mount, RJ11 to RJ11, Black	107,49	98,22	90,42
523-RJ11F21N	RJ11F21N	E	Panel Mount, RJ11 to RJ11, Nickel	59,44	48,19	46,12
523-RJ11F22N	RJ11F22N	F	Panel Mount, RJ11 to PC Board, Nickel	51,02	47,09	43,73
523-RJ11F71N	RJ11F71N	G	Jam Nut, RJ11 to RJ11, Nickel	54,17	52,27	50,12
523-RJ11F72N	RJ11F72N	H	Jam Nut, RJ11 to PC Board, Nickel	78,79	72,22	66,67
RJ11 Field Accessories						
523-RJ11FC6N	RJ11FC6N	I	Cap for Plug, Nickel	49,40	41,00	38,36
523-RJ11FC2B	RJ11FC2B	J	Cap for Receptacle, Black	37,71	34,73	32,16
523-RJ11FC2N	RJ11FC2N	J	Cap for Receptacle, Nickel	42,18	38,66	35,70
523-RJ11FC7N	RJ11FC7N	J	Cap for Jam Nut Receptacle, Nickel	48,81	48,26	45,16
523-RJ11FODE	RJ11FODE	K	Insert Removal Device	35,20	34,33	33,01

RJ FIELD TRANSVERSELY AND ENVIRONMENTALLY SEALED RECEPTACLES

- Transversely potted and sealed without cap
- Features the same main characteristics as the RJ Field and RJ Field TV series
- Four mechanical coding/polarization possibilities for the user
- IP68, sealed against fluids and dust
- Tri-start threading

For quantities greater than listed, call for quote.

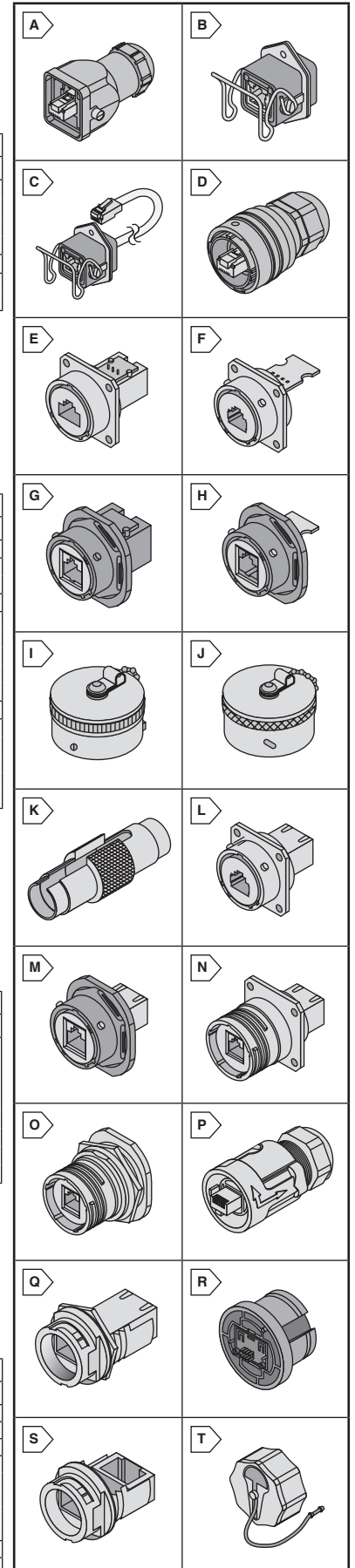
MOUSER STOCK NO.	Amphenol Part No.	Fig.	Description	RoHS Compliant	Price Each		
					1	5	10
523-RJF2SA1B	RJF2SA1B	L	Panel Mount, RJ45, Black	Yes	64,41	59,26	54,68
523-RJF2SA1N	RJF2SA1N	L	Panel Mount, RJ45, Nickel	Yes	77,31	70,27	64,74
523-RJF2SA1G	RJF2SA1G	L	Panel Mount, RJ45, Green Cadmium	No	85,43	77,65	71,16
523-RJF7SA1B	RJF7SA1B	M	Jam Nut, RJ45, Black	Yes	101,91	88,67	78,78
523-RJF7SA1G	RJF7SA1G	M	Jam Nut, RJ45, Green Cadmium	No	156,04	143,02	132,03
523-RJFTV2SA1N	RJFTV2SA1N	N	Panel Mount, RJ45, Nickel	Yes	110,19	104,68	99,45
523-RJFTV2SA1G	RJFTV2SA1G	N	Panel Mount, RJ45, Green Cadmium	No	145,42	132,75	122,14
523-RJFTV7SA1G	RJFTV7SA1G	O	Jam Nut, RJ45, Green Cadmium	No	107,68	91,33	82,03

RJ FIELD REVERSE BAYONET COMPOSITE CONNECTORS

- Compatible with cable diameter from 5.5mm to 7mm
- Transversely potted and sealed without cap
- Accommodates a standard RJ45 cordset
- IP68, sealed against fluids and dust
- No tools required

For quantities greater than listed, call for quote.

MOUSER STOCK NO.	Amphenol Part No.	Fig.	Description	Price Each		
				1	5	10
Cat 5e Plug						
523-RJFRB6	RJFRB6	P	Plug, Plastic Gland, Black	11,07	10,69	10,33
Cat 5e Receptacle						
523-RJFRB71	RJFRB71	Q	Jam Nut, RJ45, Black	14,58	14,29	14,00
523-RJFRB7203100BTX	RJFRB7203100BTX	Q	Jam Nut, with 11.81 in. (0.3 m) RJ45 cordset, Black	48,42	44,70	41,49
523-RJFRB7210100BTX	RJFRB7210100BTX	Q	Jam Nut, with 39.37 in. (1.0 m) RJ45 cordset, Black	62,57	57,76	53,63
523-RJFRB75	RJFRB75	R	Jam Nut, with straight PC Tails, Black	21,32	20,72	20,13
523-RJFRB71RA	RJFRB71RA	S	Jam Nut, Right Angle RJ45, Black	15,94	15,62	15,31
Accessory						
523-RJFRBC7	RJFRBC7	T	Cap for Jam Nut Receptacle - RJFRB71/RJFRB71RA	5,55	5,44	5,34



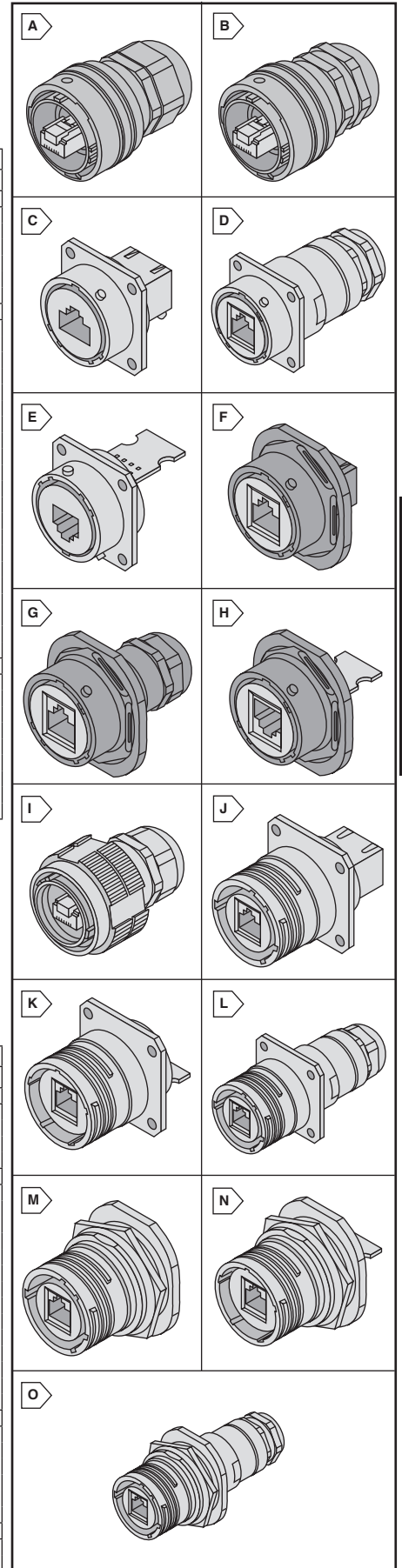
AMPHENOL® Rugged Ethernet Connection Systems Amphenol®

RJ FIELD ETHERNET BAYONET CONNECTION SYSTEM

- IP68, Sealed against fluids and dusts
- No Tools required
- Mechanical Coding/Polarization (4 positions)
- Bayonet coupling mechanism (MIL-C-26482 type)
- Audible & Visual coupling signal
- Accommodates a standard RJ45 cordset

For quantities greater than listed, call for quote.

MOUSER STOCK NO.	Amphenol Part No.	Fig.	RoHS	Description	Price Each		
					1	5	10
Plugs							
523-RJF6B	RJF6B	A	Yes	Plug, Metal Circular Shell, Plastic Gland, Black	26,28	25,32	24,37
523-RJF6N	RJF6N	A	Yes	Plug, Metal Circular Shell, Plastic Gland, Nickel	51,18	46,75	43,02
523-RJF6G	RJF6G	A	No	Plug, Metal Circular Shell, Green Cadmium	50,92	46,28	42,42
523-RJF6MB	RJF6MB	B	Yes	Plug, Metal Circular Shell, Black, Metal Gland	42,38	41,31	40,25
523-RJF6MN	RJF6MN	B	Yes	Plug, Metal Circular Shell, Nickel, Metal Gland	53,06	46,98	41,76
523-RJF6MG	RJF6MG	B	No	Plug, Metal Circular Shell, Green Cadmium, Metal Gland	39,12	38,17	37,23
Receptacles							
523-RJF21B	RJF21B	C	Yes	Panel Mount Recept., RJ45, Black	24,35	23,73	23,13
523-RJF21N	RJF21N	C	Yes	Panel Mount Recept., RJ45, Nickel	50,95	46,54	42,86
523-RJF21G	RJF21G	C	No	Panel Mount Recept., RJ45, Green Cadmium	32,65	32,23	31,82
523-RJF2PE1B	RJF2PE1B	-	Yes	Panel Mount Recept., RJ45, Backshell Plastic Gland, Black	48,29	45,88	43,58
523-RJF2PE1N	RJF2PE1N	-	Yes	Panel Mount Recept., RJ45, Backshell Plastic Gland, Nickel	56,77	53,93	51,23
523-RJF2PE1G	RJF2PE1G	-	No	Panel Mnt Recept., RJ45, Backshell Plastic Gland, Green Cadmium	51,96	49,37	46,90
523-RJF2PEM1B	RJF2PEM1B	D	Yes	Panel Mount Recept., RJ45, Backshell Metal Gland, Black	87,43	80,14	73,99
523-RJF2PEM1N	RJF2PEM1N	D	Yes	Panel Mount Recept., RJ45, Backshell Metal Gland, Nickel	120,05	102,76	93,74
523-RJF2PEM1G	RJF2PEM1G	D	No	Panel Mnt Recept., RJ45, Backshell Metal Gland, Green Cadmium	110,69	105,15	99,90
523-RJF22B00	RJF22B00	E	Yes	Panel Mount Recept., PCB, Black	20,96	20,43	19,90
523-RJF22N00	RJF22N00	E	Yes	Panel Mount Recept., PCB, Nickel	30,33	28,10	27,83
523-RJF22G00	RJF22G00	E	No	Panel Mount Recept., PCB, Green Cadmium	50,82	45,94	42,71
523-RJF71B	RJF71B	F	Yes	Jam Nut Recept., RJ45, Black	31,15	30,72	30,30
523-RJF71N	RJF71N	F	Yes	Jam Nut Recept., RJ45, Nickel	73,02	70,69	65,26
523-RJF71G	RJF71G	F	No	Jam Nut Recept., RJ45, Green Cadmium	70,00	63,95	58,88
523-RJF7PE1B	RJF7PE1B	G	Yes	Jam Nut Recept., RJ45, Backshell Plastic Gland, Black	128,38	117,32	108,01
523-RJF7PE1G	RJF7PE1G	G	No	Jam Nut Recept., RJ45, Green Cadmium	172,43	157,55	145,03
523-RJF7PEM1B	RJF7PEM1B	G	Yes	Jam Nut Recept., RJ45, Backshell Metal Gland, Black	158,64	146,00	135,21
523-RJF7PEM1N	RJF7PEM1N	G	Yes	Jam Nut Recept., RJ45, Backshell Metal Gland, Nickel	171,00	144,00	133,37
523-RJF7PEM1G	RJF7PEM1G	G	No	Jam Nut Recept., RJ45, Backshell Metal Gland, Green Cadmium	117,64	106,52	97,34
523-RJF72G00	RJF72G00	H	No	Jam Nut Recept., PCB, Green Cadmium	54,64	47,55	40,55
Accessories							
523-RJFC6B	RJFC6B	-	Yes	Cap for Plug, Black	19,33	19,10	18,88
523-RJFC6N	RJFC6N	-	Yes	Cap for Plug, Nickel	54,72	51,98	49,38
523-RJFC6G	RJFC6G	-	No	Cap for Plug, Green Cadmium	43,59	39,69	36,44
523-RJFC2B	RJFC2B	-	Yes	Cap for Panel Mount Receptacle, Black	18,78	18,32	17,86
523-RJFC2N	RJFC2N	-	Yes	Cap for Panel Mount Receptacle, Nickel	39,07	35,39	29,27
523-RJFC2G	RJFC2G	-	No	Cap for Panel Mount Receptacle, Green Cadmium	25,28	24,66	24,06
523-RJFC7B	RJFC7B	-	Yes	Cap for Jam Nut Receptacle, Black	22,12	21,34	20,56
523-RJFC7N	RJFC7N	-	Yes	Cap for Jam Nut Receptacle, Nickel	39,71	34,90	32,41
523-RJFC7G	RJFC7G	-	No	Cap for Jam Nut Receptacle, Green Cadmium	46,25	42,40	39,12



Data/Network/Telecom Amphenol

RJ FIELD TV THREADED ETHERNET CONNECTION SYSTEM

- IP68, Sealed against fluids and dusts
- No tools required
- Tri-Start Thread coupling mechanism (MIL-DTL-38999 series III type) with anti-decoupling device
- Self coding/clocking polarization in 4 positions (A,B,C,D)

For quantities greater than listed, call for quote.

MOUSER STOCK NO.	Amphenol Part No.	Fig.	RoHS	Description	Price Each		
					1	5	10
Plugs							
523-RJFTV6N	RJFTV6N	I	Yes	Plug, Plastic Gland, Nickel	37,28	36,34	35,41
523-RJFTV6G	RJFTV6G	I	No	Plug, Plastic Gland, Green Cadmium	60,21	54,51	49,81
523-RJFTV6MN	RJFTV6MN	-	Yes	Plug, Metal Gland, Nickel	65,54	61,90	55,39
523-RJFTV6MG	RJFTV6MG	-	No	Plug, Metal Gland, Green Cadmium	35,10	34,62	34,14
Receptacles							
523-RJFTV21N	RJFTV21N	J	Yes	Panel Mount Recept., RJ45, Nickel	46,06	44,90	43,75
523-RJFTV21G	RJFTV21G	J	No	Panel Mount Recept., RJ45, Green Cadmium	36,81	35,49	34,17
523-RJFTV22N00	RJFTV22N00	K	Yes	Panel Mount Recept., PCB, Nickel	57,26	52,30	48,16
523-RJFTV22G00	RJFTV22G00	K	No	Panel Mount Recept., PCB, Green Cadmium	81,25	73,04	66,32
523-RJFTV2PE1G	RJFTV2PE1G	L	No	Panel Mnt Recept., RJ45, Backshell Plastic Gland, Green Cadmium	97,44	88,97	81,85
523-RJFTV2PEM1N	RJFTV2PEM1N	L	Yes	Panel Mount Recept., RJ45, Backshell Metal Gland, Nickel	100,02	96,84	89,39
523-RJFTV2PEM1G	RJFTV2PEM1G	L	Yes	Panel Mnt Recept., RJ45, Backshell Plastic Gland, Green Cadmium	94,89	79,69	73,84
523-RJFTV71N	RJFTV71N	M	Yes	Jam Nut Recept., RJ45, Nickel	73,50	67,09	61,72
523-RJFTV71G	RJFTV71G	M	No	Jam Nut Recept., RJ45, Green Cadmium	40,32	39,94	39,56
523-RJFTV72G00	RJFTV72G00	N	No	Jam Nut Recept., PCB, Green Cadmium	64,13	50,64	48,55
523-RJFTV72N00	RJFTV72N00	N	Yes	Jam Nut Recept., PCB, Nickel	44,81	42,57	40,44
523-RJFTV7PE1N	RJFTV7PE1N	O	Yes	Jam Nut Recept., RJ45, Backshell Plastic Gland, Nickel	70,66	67,13	63,77
523-RJFTV7PEM1N	RJFTV7PEM1N	O	Yes	Jam Nut Recept., RJ45, Backshell Metal Gland, Nickel	76,96	73,11	69,46
523-RJFTV7PEM1G	RJFTV7PEM1G	O	No	Jam Nut Recept., RJ45, Backshell Mt Gland, Green Cadmium	111,92	101,74	93,26
Accessories							
523-RJFTVC6N	RJFTVC6N	-	Yes	Cap for Plug, Nickel	55,12	50,36	46,36
523-RJFTVC6G	RJFTVC6G	-	No	Cap for Plug, Green Cadmium	25,46	25,11	24,78
523-RJFTVC2N	RJFTVC2N	-	Yes	Cap for Panel Mount Recept., Nickel	32,26	31,45	30,64
523-RJFTVC2G	RJFTVC2G	-	No	Cap for Panel Mount Recept., Green Cadmium	24,63	23,76	22,90
523-RJFTVC7N	RJFTVC7N	-	Yes	Cap for Jam Nut Recept., Nickel	60,44	55,39	51,12
523-RJFTVC7G	RJFTVC7G	-	No	Cap for Jam Nut Recept., Green Cadmium	27,10	26,73	26,37
360° EMI Shielded Kits							
523-KIT38081	KIT38081	-	No	Plug with Band, Shell, Backshell, RJ Stops & Sleeve	133,25	116,95	103,89
523-KIT38082	KIT38082	-	No	Recept. with Band, Shell, Sleeve, Backshell & Gasket	169,61	154,18	141,32

AMPHENOL ATEX ETHERNET CONNECTORS

Amphenol introduces the first ATEX Ethernet connectors for applications in Zone 2 and Class I Division 2 explosive environments

- IP68 Ingress Protection
- Substantial reduction of overall plant costs
- Incorporates RJStop® connection system
- Designed for process monitoring and data acquisition in the oil, gas, chemical and power sectors, including green energy applications
- Contact your Mouser sales representative for additional finish options



RoHS Compliant

For quantities greater than listed, call for quote.

MOUSER STOCK NO.	Amphenol Part No.	Fig.	Description	Finish	Price Each			
					1	5	10	25
523-RJFTVX2SA1N	RJFTVX2SA1N	A	Square Flange Receptacle Sealed	Nickel	201,62	160,94	157,09	142,88
523-RJFTVX2SA2N03100BTX	RJFTVX2SA2N03100BTX	A	Sq Flange Recept Sealed w/0.3m Cordset to RJ45	Nickel	205,02	198,80	191,44	175,15
523-RJFTVX6MN	RJFTVX6MN	A	Threaded Plug with Metal Gland	Nickel	126,88	122,15	118,82	113,42
523-RJFTVX7SA1N	RJFTVX7SA1N	A	USB Jamnut Receptacle Sealed	Nickel	236,99	207,57	188,55	167,90
523-USBFTVX6N	USBFTVX6N	A	Threaded Plug	Nickel	189,29	155,19	149,24	134,01
523-USBFTVX7SA2N03A	USBFTVX7SA2N03A	A	Jamnut Recept Sealed w/0.3m Cordset to USB-A	Nickel	265,00	242,91	224,23	199,66

HIGH RELIABILITY CAT 5 AND CAT 5E ETHERNET CABLE & CORDSETS

Features:

- Halogen free flame retardant
- UV resistant
- Excellent hydrolysis and microbial resistance
- Custom lengths available. Please contact your sales representative.

For quantities greater than listed, call for quote.

MOUSER STOCK NO.	Amphenol Part No.	Fig.	Description	Price Each	
				1	5
523-RJFSFTP5E0076	RJFSFTP5E0076	B	30 in. (0.762 m) w/ RJ45 Plug Overmolded on Each End; Cat5e	82,44	74,94
523-RJFSFTP5E0305	RJFSFTP5E0305	B	120 in. (3.05 m) w/ RJ45 Plug Overmolded on Each End; Cat5	109,65	99,68

RUGGED USBFTV MEMORY KEYS, USB 2.0

Features:

- IP68 mated
- Coding can be changed on the receptacle using USBF0DE tool
- Derived from MIL-DTL-38999 Series III specifications

Also available in black, please contact a sales representative.

For quantities greater than listed, call for quote.

MOUSER STOCK NO.	Amphenol Part No.	Fig.	Description	Price Each	
				1	5
523-USBFTVKEY6A1024G	USBFTVKEY6A1024GCAP	C	1G Rugged USB Key with Cap, Green Cadmium	232,34	174,24
523-FTVKEY6A2048GC	USBFTVKEY6A2048GCAP	C	2G Rugged USB Key with Cap, Green Cadmium	272,62	228,98
523-FTVKEY6A4096GC	USBFTVKEY6A4096GCAP	C	4096 MB USB Memory Key with Cap, Green Cadmium	312,22	262,27

HIGH RELIABILITY USB 2.0 CORDSET

Features:

- Halogen free flame retardant
- Excellent hydrolysis and microbial resistance

Applications:

- Robotics
- CNC Machines
- Motion Control
- Battlefield communications
- Railways
- Industrial process

For quantities greater than listed, call for quote.

MOUSER STOCK NO.	Amphenol Part No.	Fig.	Description	Price Each	
				1	5
523-USB2AA100PUHFFR	USB2AA100PUHFFR	D	39.37 in. (1.0 m) w/ USB A plug overmolded on each end	116,58	106,86

USB B FIELD CONNECTION CABLE SYSTEM 2.0

Features:

- USB-B male plug overmolded on USB 2.0 cable
- IP67, Sealed against fluids and dusts
- Plastic shells with threaded coupling

For quantities greater than listed, call for quote.

MOUSER STOCK NO.	Amphenol Part No.	Fig.	Description	Price Each		
				1	5	10
523-USBBF6100	USBBF6100	E	USB Type B with 1.0 Meter Cordset to USB A - Plug	16,72	16,28	15,70
523-USBBF6200	USBBF6200	E	USB Type B with 2.0 Meter Cordset to USB A - Plug	36,91	33,83	31,23
523-USBBF7	USBBF7	F	USB Type B Jam Nut W/Cord to 5 pin connector - Receptacle	29,31	27,05	24,65
523-USBBFC7	USBBFC7	G	Cap for Jam Nut Receptacle With Metal Chain	7,40	6,84	6,21

PROTECTIVE CAPS AND GASKETS FOR RJ AND USB RECEPTACLES

Automatic spring closing protects the RJ Field and the USB Field receptacles against dust and water splash.



RoHS Compliant

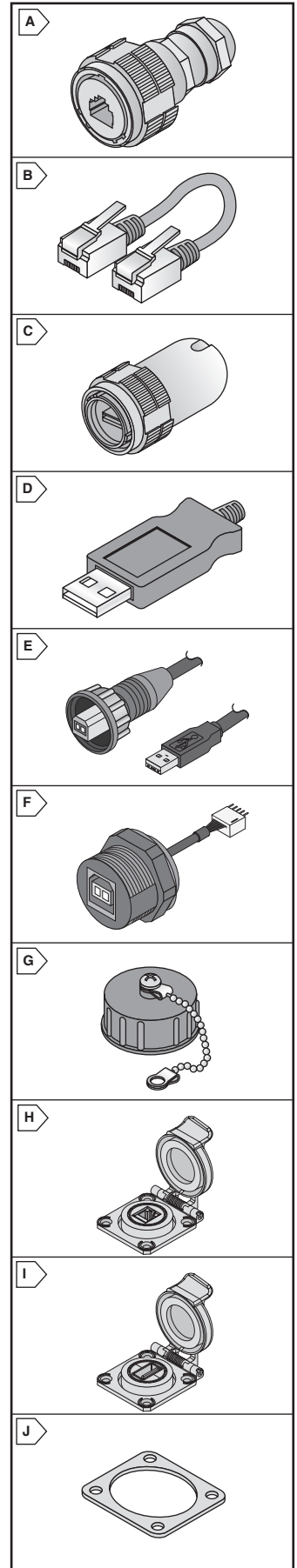
For quantities greater than listed, call for quote.

MOUSER STOCK NO.	Amphenol Part No.	Fig.	Description	Price Each		
				1	5	10
Plug Caps						
523-RJF21BSCC	RJF21BSCC	H	RJ45 Field Snap Cap, Plain Insert, Black	33,12	31,52	30,30
523-RJF21NSCC	RJF21NSCC	H	RJ45 Field Snap Cap, Metalized Insert, Nickel	31,51	30,39	29,28
523-USBF21BSCC	USBF21BSCC	I	USB Field Snap Cap, Plain Insert, Black	46,02	38,82	36,42
523-USBF21NSCC	USBF21NSCC	I	USB Field Snap Cap, Metalized Insert, Nickel	32,96	31,80	30,65

Gaskets

For quantities greater than listed, call for quote.

MOUSER STOCK NO.	Amphenol Part No.	Fig.	Description	Price Each		
				1	5	10
523-JE14	JE14	J	Gasket for Panel Mount Receptacle	1,33	0,996	0,912
523-JE15	JE15	J	Gasket for USB & IEEE 1694	2,47	1,94	1,82
523-JE18	JE18	J	Gasket for Panel Mount Receptacle	2,33	1,64	1,54
523-JE19	JE19	J	Gasket for Panel Mount Receptacle	3,26	2,39	2,18



TE Industrial Ethernet Connectors

SERIES 45 ETHERNET CPC (CIRCULAR PLASTIC CONNECTOR)

This series of CPC products accepts RJ45 inserts. The same CPC performance interface that is widely accepted over many markets has been expanded to handle Ethernet communications through Category 5 and 5e requirements.

Applications:

- Industrial machinery, Diagnostic equipment, Communications equipment, Printers, and any potential application where Ethernet is used when the connector requirement calls for a sealed, rugged connector interface.

Features:

- For Category 5 and 5e cables
- Sealing performance per IP 67
- Protective sealing cap available for the receptacles
- Available pass-through and field installable receptacle styles
- Positive lock coupling ring provides for reliable connections

For quantities greater than listed, call for quote.

MOUSER STOCK NO.	TE Part No.	Fig.	Description	Price Each		
				1	5	10
571-1546907-1	1546907-1	A	Shielded Plug Kit, Solid Wire	13,71	13,46	13,15
571-1546907-2	1546907-2	A	Shielded Plug Kit, Stranded Wire	13,72	13,46	13,16
571-1546876-1	1546876-1	A	Unshielded Plug Kit, Solid Wire	12,00	11,40	10,83
571-1546876-2	1546876-2	A	Unshielded Plug Kit, Stranded Wire	10,11	9,88	9,60
571-1986172-1	1986172-1	B	Shielded Receptacle Kit, Pass Through	26,11	25,24	24,70
571-1546908-1	1546908-1	B	Shielded Receptacle Kit, Wire Terminated	14,49	14,07	13,73
571-1776186-1	1776186-1	B	Unshielded Receptacle Kit, Pass Through	28,66	27,22	25,86
571-1546877-1	1546877-1	B	Unshielded Receptacle Kit, Wire Terminated	28,11	26,70	25,37

INDUSTRIAL CIRCULAR ETHERNET CONNECTORS (ODVA)

This rugged connector series meets the Ethernet/IP RJ45 requirements/standards. Designed for use in harsh environments, connector features a quick-connect bayonet coupling mechanism per the ODVA interoperability interface specification.

Applications:

- Industrial machinery, Diagnostic equipment, Communications equipment, Printers and any potential application where Ethernet is used where the connector requirement calls for a sealed, rugged connector interface.
- Harsh environments where chemicals, corrosive gases and liquids are commonplace
- Inside and outside industrial plant and equipment that interface with industrial Ethernet networks

Features:

- For Category 5e cables
- Sealing performance per IP 67
- Protective cover available for the receptacles
- Positive lock coupling ring provides reliable connections in harsh environments
- Temperature range of -40°C to +85°C

Sealed RJ-45 ODVA Connectors

For quantities greater than listed, call for quote.

MOUSER STOCK NO.	TE Part No.	Fig.	Description	Price Each		
				1	5	10
571-1738607-1	1738607-1	C	Solid Wire Plug Kit	16,95	16,10	15,30
571-1738607-2	1738607-2	C	Stranded Wire Plug Kit	16,95	16,10	15,30
571-1738601-1	1738601-1	D	Receptacle Kit	23,92	22,72	21,58
571-1986280-1	1986280-1	D	Receptacle Kit and Cover	36,15	32,53	29,88
571-1776900-1	1776900-1	E	PCB Mount Receptacle Kit	13,79	12,84	12,53
571-1738611-1	1738611-1	-	Protective Cover Assembly	10,85	10,43	10,01

IP67 Metal Shell ODVA-Compliant Industrial Ethernet Connectors

For quantities greater than listed, call for quote.

MOUSER STOCK NO.	TE Part No.	Fig.	Description	Price Each		
				1	5	10
571-2008611-1	2008611-1	C	Unshielded Plug Kit for Stranded Wire	31,30	28,85	27,54
571-2008611-2	2008611-2	C	Unshielded Plug Kit for Solid Wire	19,48	18,94	18,31
571-2008614-1	2008614-1	C	Shielded Plug Kit for Stranded Wire	20,57	20,29	19,73
571-2008614-2	2008614-2	C	Shielded Plug Kit for Solid Wire	21,58	21,04	20,56
571-2008615-1	2008615-1	D	Receptacle Kit - Unshielded 8 position	30,14	29,47	28,04
571-2008615-2	2008615-2	D	Receptacle Kit - Shielded 8 position	37,08	34,17	31,47
571-2008618-1	2008618-1	-	Protective Cap for Receptacle Kit	19,26	18,43	17,79

Sealed Circular Fiber Optics LC ODVA Connectors

For quantities greater than listed, call for quote.

MOUSER STOCK NO.	TE Part No.	Fig.	Description	Price Each		
				1	5	10
571-1828618-2	1828618-2	F	Single-Mode Fiber Optic Connector	41,53	38,07	35,14
571-1828618-1	1828618-1	F	Multi-Mode Fiber Optic Connector	30,84	28,27	26,09
571-1828619-2	1828619-2	G	Single-Mode Fiber Optic Receptacle	19,24	17,77	15,12
571-1828619-1	1828619-1	G	Multi-Mode Fiber Optic Receptacle	22,37	20,88	18,84
571-1828740-1	1828740-1	-	Connector Dust Cover	4,08	3,74	3,45
571-1918177-1	1918177-1	-	Receptacle Dust Cover	6,00	5,40	5,10

INDUSTRIAL MINI I/O CONNECTOR SYSTEM

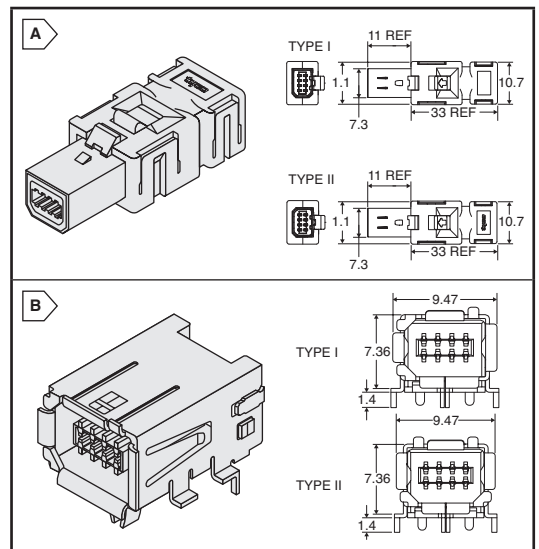
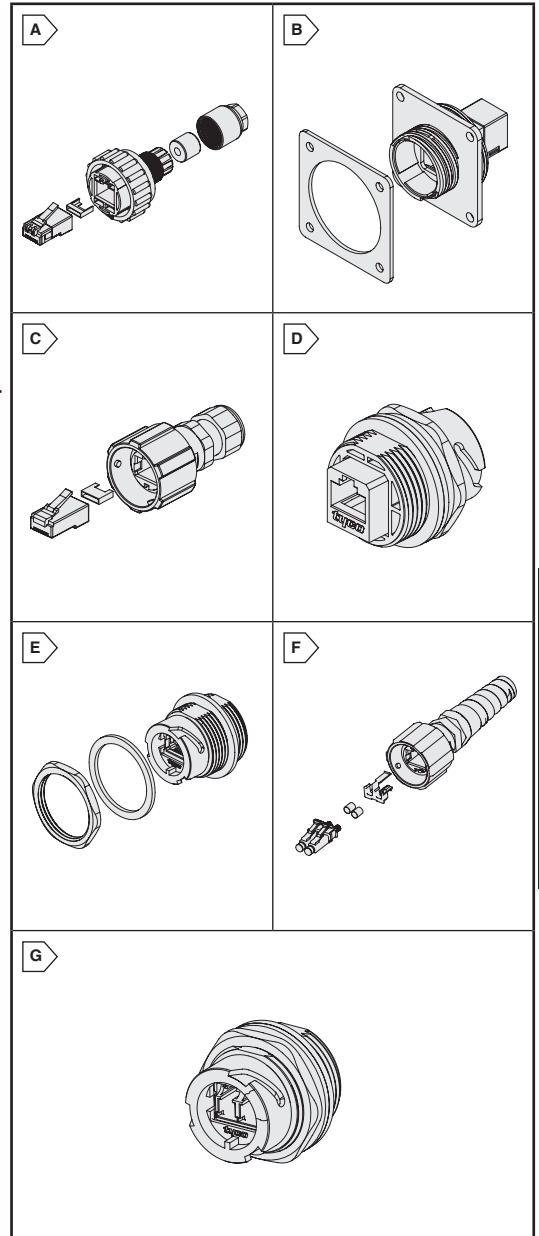
The Industrial Mini I/O connector system is a small, compact, latching, wire-to-board I/O interface is suitable for the stringent demands of an industrial device. The system is most commonly used as an RJ45 replacement. It consists of 8 individual circuits that accommodate I/O signals.

Features:

- Two points on contact interface for increased reliability
- Small compact size
- Latching feature
- Polarized
- Meets CAT5E requirements

For quantities greater than listed, call for quote.

MOUSER STOCK NO.	TE Part No.	Fig.	Description	Price Each		
				1	5	10
571-2013595-3	2013595-3	A	8P Mini I/O Plug Kit Type I Black w/Cover	6,18	5,51	5,07
571-2040008-1	2040008-1	A	8P Mini I/O Plug Kit Type II Black	5,88	5,24	4,83
571-2040008-2	2040008-2	A	8P Mini I/O Plug Kit Type II White	6,18	5,51	5,07
571-2013595-1	2013595-1	A	8P Mini I/O Plug Kit Type I, Black	5,88	5,24	4,83
571-2040537-1	2040537-1	B	Mini I/O Receptacle T-H Assembly Type I	1,86	1,64	1,53
571-1-2040537-1	1-2040537-1	B	Mini I/O Receptacle T-H Assembly Type II	1,56	1,39	1,28
571-1981080-1	1981080-1	B	Mini I/O Receptacle SMT Assembly Type I	1,50	1,33	1,22
571-1981386-1	1981386-1	B	Mini I/O Receptacle SMT Assembly Type II	1,56	1,39	1,28



CONEC IP67 Connector Systems



RoHS Compliant This page of product is compliant.



SEALED INDUSTRIAL ETHERNET CIRCULAR IP67 RJ45 CONNECTOR SYSTEM

The sealed circular RJ45 connector system is designed for use in harsh environments. The connector features bayonet coupling mechanism conforming to IEC 61076-3-106 standard. It provides fast but reliable connections in harsh environment. The connector can be front or rear mounted into a panel with a thickness of up to 3.2mm. The integrated shielded RJ45 Jack and Plug meet EIA/TIA-568B.2 cat. 5e specifications. The connector system provides IP67 sealing performance when the connector halves are fully mated or covered. The potted version provides IP67 even under the unmated and uncovered conditions.

RJ45 Receptacles

For quantities greater than listed, call for quote.

MOUSER STOCK NO.	CONEC Part No.	Fig.	Description	Price Each			
				1	10	25	50
Inline Coupler Kits							
631-17-10000	17-10000	A	Plastic with shielded inline coupler + protective cover	13,98	11,86	11,36	10,42
631-17-10020	17-10020	A	Plastic unshielded inline coupler + protective cover	11,49	10,21	9,19	8,36
706-17-10009	17-10009	A	Plastic with shielded inline coupler	15,02	11,67	10,59	10,11
631-17-10011	17-10011	A	Metallized plastic with shielded inline coupler + protective cover	16,23	13,35	12,85	12,07
706-17-101754	17-101754	A	Zinc Die-Cast Version with Shielded RJ45 Inline Coupler	23,19	17,39	16,56	15,81
706-17-101764	17-101764	A	Zinc Die-Cast Version with Unshielded RJ45 Inline Coupler	22,01	16,51	15,72	15,01
706-17-101814	17-101814	A	Zinc Die-Cast Version with Shielded RJ45 Coupler + Cover	34,77	26,08	24,84	23,71
706-17-101824	17-101824	A	Zinc Die-Cast Version with Unshielded RJ45 Coupler + Cover	33,60	25,20	24,00	22,91
IDC Kits							
631-17-10021	17-10021	B	Plastic with shielded IDC jack + protective cover	15,16	13,98	11,86	10,73
631-17-10038	17-10038	B	Potted metallized plastic with shielded IDC jack + protective cover	19,87	16,04	15,49	14,74
631-17-10037	17-10037	B	Potted plastic with shielded IDC jack + protective cover	15,48	12,31	11,74	10,94
706-17-10015	17-10015	B	Plastic version with shielded inline coupler, with IDC Jack	16,93	13,17	11,95	11,40
706-17-10033	17-10033	B	Potted plastic version with shielded inline coupler, with IDC Jack	18,32	14,25	12,93	12,33
PCB Kits							
631-17-10023	17-10023	C	Plastic with shielded PCB jack + protective cover	15,27	13,74	12,50	11,65
631-17-10024	17-10024	C	Metallized plastic with shielded PCB jack + protective cover	17,66	15,44	14,40	12,34
631-17-10039	17-10039	C	Potted plastic with shielded PCB jack + protective cover	15,48	12,40	11,92	10,86
631-17-10040	17-10040	C	Potted metallized plastic with shielded PCB jack + protective cover	17,40	14,36	13,87	13,14
706-17-10017	17-10017	C	Plastic version with shielded inline coupler, with PCB Jack	17,08	13,28	12,05	11,50
706-17-10035	17-10035	C	Potted plastic version with shielded inline coupler, with PCB Jack	18,47	13,13	11,67	11,33
Installation Housing Kits							
706-17-100934	17-100934	D	Metal version w/shielded Cat 5e In-line coupler, M28 thread screw	24,19	22,26	20,61	19,18
706-17-101494	17-101494	D	Metal version w/unshielded Cat 5e In-line coupler, M28 thread screw	17,29	13,83	13,72	13,10
706-17-101604	17-101604	D	Metal version w/shielded Cat 5e In-line coupler + Protective cover (M28)	27,54	22,03	21,85	20,86
706-17-101614	17-101614	D	Metal version w/unshielded Cat 5e In-line coupler + Protective cover (M28)	26,28	21,02	20,86	19,92

RJ45 Plugs

For quantities greater than listed, call for quote.

MOUSER STOCK NO.	CONEC Part No.	Fig.	Description	Price Each			
				1	10	25	50
Plug Kit							
631-17-10001	17-10001	E	Plug Kit-plastic version-quick bayonet style locking	5,84	4,31	4,13	3,85
631-17-10013	17-10013	E	Plug Kit-metallized plastic version-quick bayonet style locking	9,59	7,10	6,58	5,88
631-17-10044	17-10044	A	Plug Kit-die cast coupling ring, version-quick bayonet style locking	11,89	9,50	8,07	7,61
706-17-101794	17-101794	E	Plug Kit-die cast, version-quick bayonet style locking	15,66	12,12	11,35	10,83
Plugs with Strain Relief							
631-17-100464	17-100464	E	Plug with strain relief kit plastic version with M28 thread locking style	7,84	5,80	5,68	5,23
631-17-100474	17-100474	E	Plug w/ strain relief kit metallized version with M28 thread locking style	9,59	7,10	6,61	6,29

Protective Covers

For quantities greater than listed, call for quote.

MOUSER STOCK NO.	CONEC Part No.	Fig.	Description	Price Each			
				1	10	25	50
631-17-10002	17-10002	-	Protective cover assembly plastic version	3,88	3,45	3,10	2,82
631-17-10014	17-10014	-	Protective cover assembly metallized plastic version	3,94	3,50	3,15	2,86

USB 2.0 IP67 WATER RESISTANT CONNECTOR SYSTEM

Features:

- Housing can be mounted on front or rear side of enclosure panels with thickness up to 3.2mm
- Meets USB 2.0 specification
- Interface meets IP67 rating requirements when a mating connector is inserted or when covered with a secured protective cap

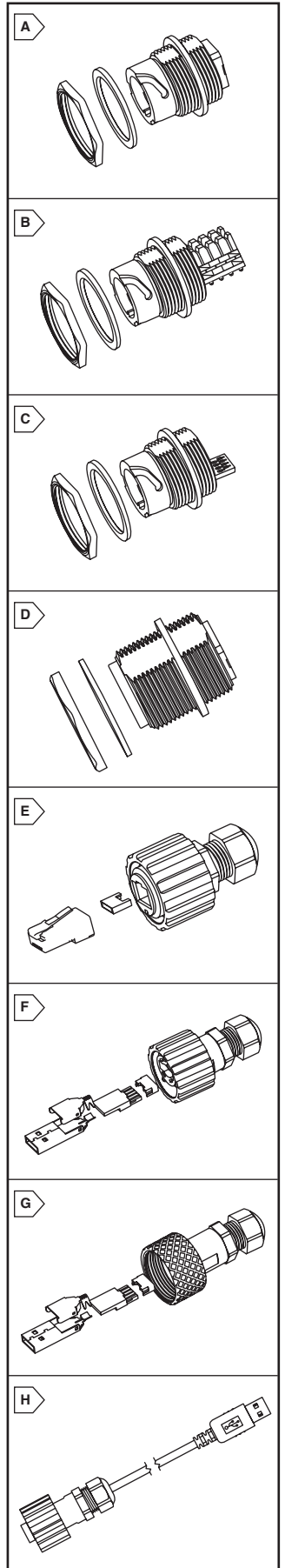
For quantities greater than listed, call for quote.

MOUSER STOCK NO.	CONEC Part No.	Fig.	Description	Price Each			
				1	10	25	50
Plastic							
706-17-200121	17-200121	F	USB Type A Plug Kit bayonet type	3,78	4,21	3,89	3,78
706-17-200151	17-200151	F	USB Strain Relief Assembly w/Type A Plug M28 Thread	4,08	4,57	4,33	4,08
706-17-200001	17-200001	A	USB Type A/A Female Adapter, Plastic bayonet type	5,03	5,63	5,34	5,03
706-17-200161	17-200161	A	USB Receptacle and Cover bayonet Type A/A Female Adapter	6,32	7,08	6,70	6,32
Metal							
706-17-200591	17-200591	F	USB Type A Plug Kit, Die Cast	8,64	9,64	9,12	8,64
706-17-200331	17-200331	G	USB Type A Plug Assembly Kit, Metal M28 Thread	9,25	10,87	9,80	9,25
706-17-200321	17-200321	D	USB Type A/A Female Adapter, Metal M28 Thread	11,67	13,11	12,52	11,67
706-17-200601	17-200601	A	USB Type A/A Female Adapter, Die Cast, bayonet type	13,57	14,69	14,22	13,57
706-17-200611	17-200611	A	USB Type A/A Female Adapter, Die Cast, bayonet type with cover	20,86	22,89	21,56	20,86
Covers							
631-17-10002	17-10002	-	Protective cover assembly plastic version	2,82	3,45	3,10	2,82
706-17-101710	17-101710	-	Protective cover assembly bayonet type, with metal ball chain	3,73	4,17	3,96	3,73
706-17-100950	17-100950	-	Protective cover assembly metal M28 thread	7,60	8,51	8,06	7,60
706-17-101800	17-101800	-	Protective cover die cast - bayonet	7,35	8,39	7,70	7,35
Patch Cords							
706-17-200231	17-200231	H	USB Patch Cord 2M Type A Plug (Bayonet) to Type A Plug (Standard)	7,05	7,98	7,53	7,05
706-17-200181	17-200181	H	USB Patch Cord 2M Type A Plug (Bayonet) to Type B Plug (Standard)	7,05	7,98	7,53	7,05

TOOLS

For quantities greater than listed, call for quote.

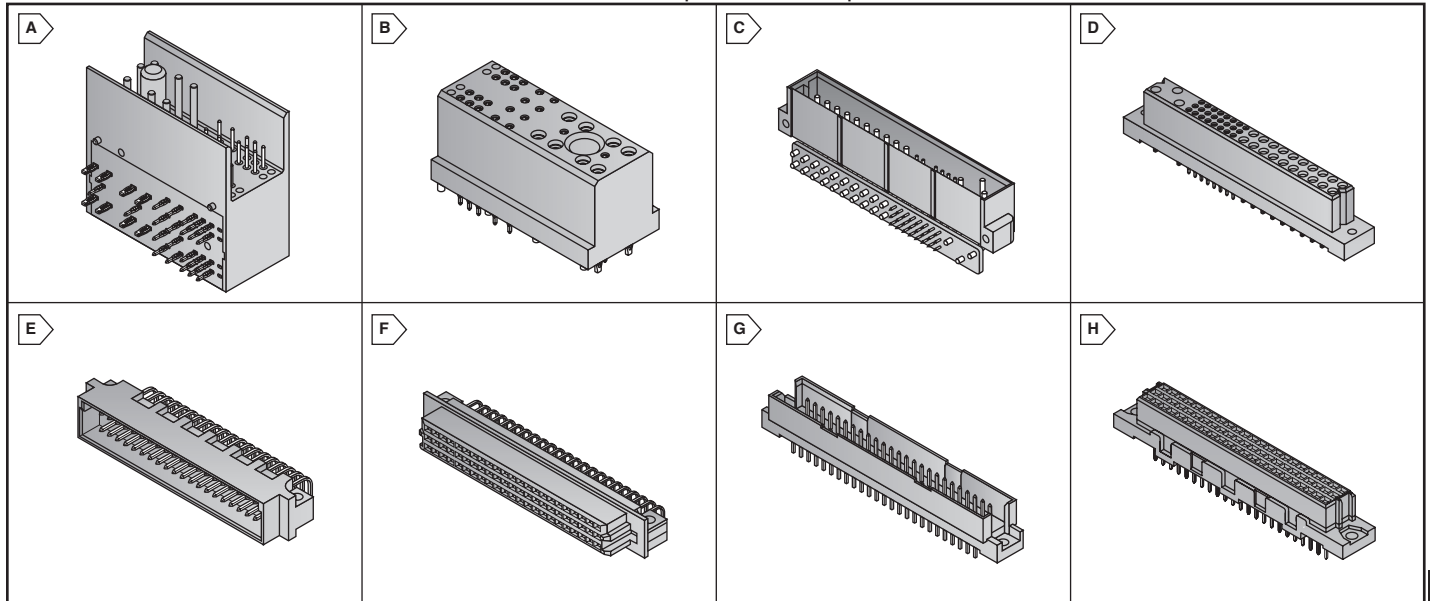
MOUSER STOCK NO.	CONEC Part No.	Description	Price Each	
			1	5
631-360X30049X	360X30049X	Punch-Down Tool	4,31	3,83
631-360X30029X	360X30029X	RJ45 Plug Terminator	31,24	27,34



CONEC ATCA, PCI, and DIN Connectors

RoHS Compliant This product is RoHS compliant.

CONEC
TECHNOLOGY IN CONNECTORS™



ATCA®

ATCA stands for: Advanced Telecommunications Computing Architecture. This newly developed architecture and system layout allows manufacturers of telecom equipment a new standard for designing system. The basic structure is utilizing a modular concept. Application of this new structured approach allows various module designs that are compatible in layout and mechanical installation. The PICMG Group created the PICMG 3.0 Standard. This standard specifies the mechanical details with regards to input/output, voltage, current and connection parameters. Control, backplane layout and system architecture are part of the standard. Products such as plugs and sockets, high power and signal contact have been developed. This new connector series is available with press fit and through hole contact types.

Features:

- Rugged construction
- Polarizing system
- Selective loading of contact positions
- Screwdown hardware
- Special variations on request
- RoHS compliant per Conec documentation

Specifications:

- Complies with the PICMG 3.0 standard
- UL approval Eccc8329
- Solder and press-fit technology
- Press-fit with flat plate
- Mating area compatible



RoHS Compliant

For quantities greater than listed, call for quote.

MOUSER STOCK NO.	CONEC Part No.	Fig.	Number of Positions	Type	Description	Price Each		
						1	10	100
706-ATC30W08MAE1S5X	ATC30W08MAE1S5X	A	30	Male	Press-fit	17,05	15,64	14,90
706-ATC30W08MARCS5X	ATC30W08MARCS5X	A	30	Male	Solder Pin	12,99	11,29	10,43
706-ATC30W08FGE1S5X	ATC30W08FGE1S5X	B	30	Female	Press-fit	15,78	13,65	13,00
706-ATC30W08FGRC5X	ATC30W08FGRC5X	B	30	Female	Solder Pin	16,71	14,86	14,13

COMPACT PCI

The CompactPCI bus has been defined by the PICMG Group in specification 2.0. The abbreviation PCI stands for Peripheral Component Interconnect. Besides the standardized 47-pin connector according to PICMG 2.11 R1.0, variations have been developed for computer, industrial, medicinal and measurement technology. CONEC offers different models within this product family relating to contact layout and connection technology, for both the male and female connectors.

Features:

- Premating contacts in selective positions
- Polarizing coding system
- Mounting screws for PCB are available
- Selective loading for mixed layout contact configurations
- High reliability and longevity
- RoHS compliant per Conec documentation



RoHS Compliant

For quantities greater than listed, call for quote.

MOUSER STOCK NO.	CONEC Part No.	Fig.	Number of Positions	Type	Description	Price Each		
						1	10	100
706-CPH47W23MARASK9X	CPH47W23MARASK9X	C	47	Male	Solder Pin	10,26	9,63	9,55

Straight

For quantities greater than listed, call for quote.

MOUSER STOCK NO.	CONEC Part No.	Fig.	Number of Positions	Type	Description	Price Each		
						1	10	100
706-CPH47W23FGE3SK9X	CPH47W23FGE3SK9X	D	47	Female	Press-fit	17,97	17,29	16,47

DIN 41612

Features:

- Contacts: Copper Alloy
- Contact Plating: Gold over Nickel
- 50 Mating cycles
- Housing: PBTP UL94V-0
- Current: 2 Amp
- Operating Temperature: -55°C to 125°C
- RoHS compliant per Conec documentation



RoHS Compliant

Right Angle

For quantities greater than listed, call for quote.

MOUSER STOCK NO.	CONEC Part No.	Fig.	Number of Positions	Type	Description	Price Each		
						1	10	100
706-121A10139X	121A10139X	E	64	Male	Type C	3,31	2,97	1,92
706-121A10149X	121A10149X	E	96	Male	Type C	3,51	3,16	1,93
706-122A10849X	122A10849X	F	64	Female	Type R	5,63	4,03	3,39
706-122A10859X	122A10859X	F	96	Female	Type R	6,96	5,92	3,69

Straight

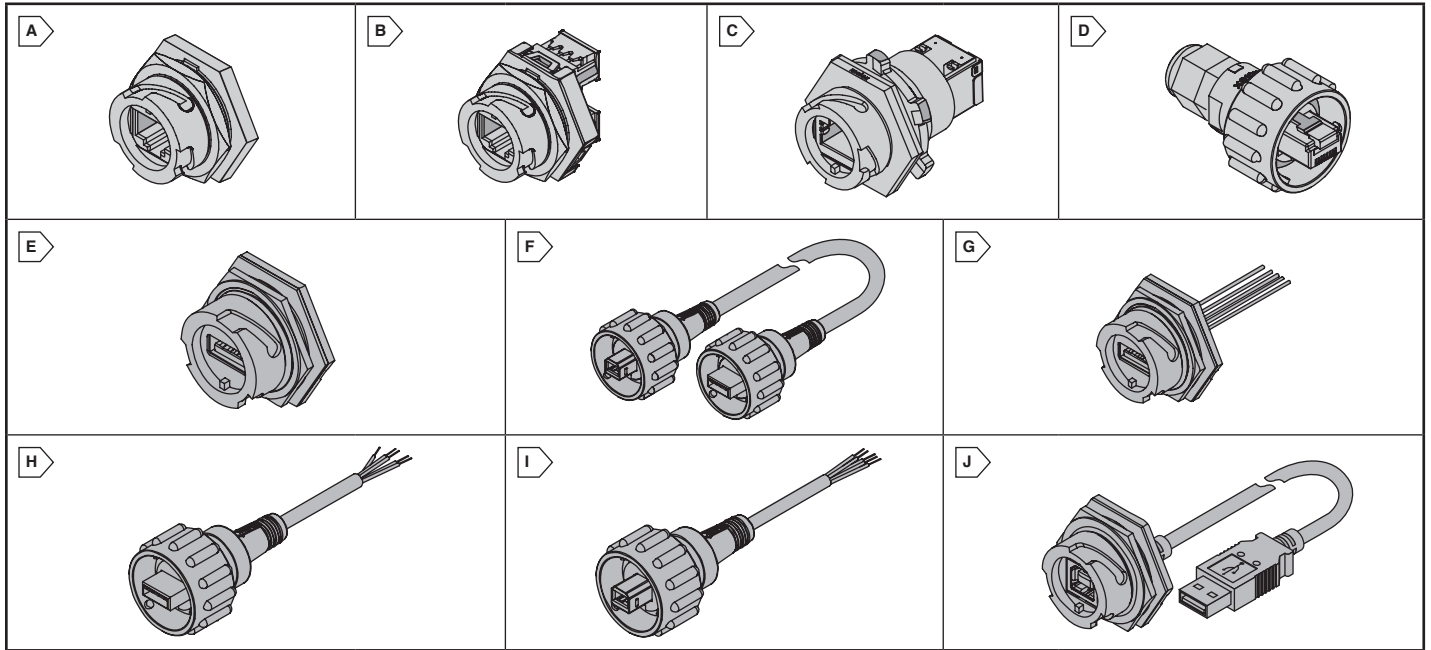
For quantities greater than listed, call for quote.

MOUSER STOCK NO.	CONEC Part No.	Fig.	Number of Positions	Type	Description	Price Each		
						1	10	100
706-121A10559X	121A10559X	G	64	Male	Type R, Solder Pin	4,05	3,65	2,16
706-121A10569X	121A10569X	G	96	Male	Type R, Solder Pin	6,11	5,19	3,44
706-122A10299X	122A10299X	H	64	Female	Type C, Solder Pin	4,83	4,10	2,58

MOLEX Industrial Ethernet Solution

molex
one company > a world of innovation

RoHS Compliant This product is RoHS compliant.



RJ-45 Specifications:

- Contact: Phosphor Bronze (CwSn)
- Plating Contact: 1.3µm Gold (Au)
- Under Plating: Nickel (Ni)
- Housing Material: PA Polyamide (Nylon) PBT
- Polyester, TPE Thermo Plastic Elastomer
- Color: Black
- Flammability: UL 94V-0

- Durability (mating cycles): 500 cycles min.
- Current: 1.5A max.
- Voltage: 125V max.
- Withstanding Voltage: 1000VAC
- Contact Resistance: 20mΩ max.
- Insulation Resistance: 500MΩ Min.

USB Specifications:

- Contact: Copper Alloy
- Plating Contact: 0.75µm (30µ") Gold (Au)
- Under Plating: Nickel (Ni)
- Receptacle Housing: PBT, Black
- Flammability: UL 94V-0
- Durability (mating cycles): 1000

- Current: 1.0A
- Voltage: 30V
- Withstanding Voltage: 750 VAC
- Contact Resistance: 30 mΩ max.
- Insulation Resistance: 1000 MΩ min.



RoHS Compliant

For quantities greater than listed, call for quote.

RJ-45

MOUSER STOCK NO.	Molex Part No.	Fig.	Circuits	Description	Price Each			
					1	10	25	50
Receptacles								
538-84702-0005	84702-0005	A	0	PCB Mount Receptacle	12,81	11,52	10,24	8,94
538-84702-0006	84702-0006	B	8	Punchdown Panel Mount Receptacle Jack	43,65	39,28	33,17	30,53
538-84702-0008	84702-0008	B	8	Punchdown Panel Mount Receptacle Jack, Potted	40,32	40,25	37,00	34,05
538-84700-0001	84700-0001	C	8	Receptacle, Inline, Industrial, 8/8	38,90	-	-	-
Plugs								
538-84700-0002	84700-0002	D	8	Field Attachable Plug Kit, Industrial, 8/8, Panel Stops	23,25	20,72	20,58	-
Accessories								
538-84700-0003	84700-0003	-	8	Dust Cover for Bayonet-Style Latch Connector	15,40	15,09	14,79	14,49



RoHS Compliant

For quantities greater than listed, call for quote.

USB CONNECTORS

MOUSER STOCK NO.	Molex Part No.	Fig.	Circuits	Description	Price Each			
					1	10	25	50
538-84729-0009	84729-0009	E	4	USB Type A Panel Mount PCB Receptacle	18,14	16,32	15,00	13,74



RoHS Compliant

For quantities greater than listed, call for quote.

USB CABLE ASSEMBLIES

MOUSER STOCK NO.	Molex Part No.	Fig.	Circuits	Description	Price Each			
					1	10	25	50
Double Ended								
538-84732-0002	84732-0002	F	4	Type A Plug to Type B Plug, Double Ended Cordset, 1.50m (4.92") Length	27,80	25,02	22,23	19,45
538-84732-0004	84732-0004	F	4	Type A Plug to Type B Plug, Double Ended Cordset, 3.00m (9.84") Length	29,37	26,44	23,49	20,56
Pigtail								
538-84729-0001	84729-0001	G	4	Type A Panel Mount Receptacle to Shielded Pigtail, 0.15M (.49") Length	18,85	16,94	16,02	15,36
538-84727-1002	84727-1002	H	5	Type A Plug to Shielded Pigtail, 1.50m (4.92") Length	42,00	37,78	33,60	29,40
538-84727-1003	84727-1003	H	5	Type A Plug to Shielded Pigtail, 3.00M (9.84") Length	43,91	39,50	35,10	30,72
538-84728-1002	84728-1002	I	5	Type B Plug to Shielded Pigtail, 1.50m (4.92") Length	30,63	27,56	24,50	21,44
538-84728-1003	84728-1003	I	5	Type B Plug to Shielded Pigtail, 3.00m (9.84") Length	49,38	44,44	39,49	34,54
Cordset								
538-84729-0004	84729-0004	J	4	Type A Panel Mount Receptacle to Type A Plug Cordset, 0.80m (2.62") Length	25,51	23,30	20,26	18,41
538-84729-0006	84729-0006	J	4	Type A Panel Mount Receptacle to Type A Plug Cordset, 2.00m (6.56") Length	30,36	27,65	25,28	22,12



RoHS Compliant

For quantities greater than listed, call for quote.

TOOLING

MOUSER STOCK NO.	Molex Part No.	Fig.	Description	Price Each
538-64016-0044	64016-0044	-	ServiceGrade™ Hand Tool, Modular Plug	55,91

© Copyright 2012 Mouser Electronics

© Copyright 2012 Mouser Electronics

1216

mouser.com/molex

All Prices
In EURO

EUsales@mouser.com

INDUSTRIAL DATA CONNECTORS

Variosub Push-Pull Ethernet and Power

Features:

- Unique Push-Pull latching/unlatching system
- IP67 Rated when mated
- Available in Metal or Plastic Housings
- Suitable for use in Industrial applications
- Power Connectors utilize Spring Cage Connection

For quantities greater than listed, call for quote.

MOUSER STOCK NO.		Fig.	Phoenix Type	Description	Price Each			
Mfr.	Mfr. Part No.				1	10	25	50
651	1608113	A	VS-PPC-C1-RJ45-MNNA-PG9-8I6	CAT6 IDC RJ45 IP67 Metal Push Pull	14,32	14,02	13,37	12,58
651	1608139	A	VS-PPC-C1-RJ45-POBK-PG9-8I6	CAT6 IDC RJ45 IP67 Plastic Push Pull	12,06	11,49	10,96	10,34
651	1608016	A	VS-PPC-C1-RJ45-MNNA-PG9-8Q5	CAT5e Quickon RJ45 IP67 Metal Push Pull	27,92	26,54	24,91	23,12
651	1657834	A	VS-PPC-C1-RJ45-POBK-PG9-8Q5	CAT5e Quickon RJ45 IP67 Plastic Push Pull	25,65	24,39	22,89	21,25
651	1608029	B	VS-PPC-F1-RJ45-MNNA-1R-PHA	RJ45 Panel Mount Frame, IP67, Metal	3,07	2,91	2,74	2,54
651	1657847	B	VS-PPC-F1-RJ45-POBK-1R-PHA	RJ45 Panel Mount Frame, IP67, Plastic	2,86	2,62	2,42	2,24
651	1653087	-	VS-08-BU-RJ45-6/LH-1	CAT6 RJ45 PCB Socket	5,60	5,33	5,07	4,79
651	1608197	-	VS-PPC-F1-RJ45-POBK-1R-F	RJ45 Panel Mount Frame, Freenet	3,87	3,47	3,15	2,96
651	1608074	C	VS-PPC-C2-MSTB-MNNA-P13-A5-SP	5P MSTB Push Pull 24V, Metal Housing	19,60	18,63	17,48	16,24
651	1657892	C	VS-PPC-C2-MSTB-POBK-P13-A5-SP	5P MSTB Push Pull 24V, Plastic Housing	17,35	16,49	15,48	14,36
651	1608294	D	VS-PPC-F2-MSTB-POBK-1R-SPSA5	MSTB Plastic Pnl Mnt W/ Insert, 24V	15,30	14,54	13,85	13,05

Variosub RJ45

Industrial ethernet connection for CAT 5, CAT 6 and CAT 6A

Features:

- Patented VARIOSUB housing with push/pull locking system
- IP20 or IP67 rated connections for protection from dust, dirt, water
- PCB mount or panel feed thru connections
- Fully shielded inserts

For quantities greater than listed, call for quote.

MOUSER STOCK NO.		Fig.	Phoenix Type	Description	Price Each			
Mfr.	Mfr. Part No.				1	10	25	50
651	1688696	E	VS-08-T-RJ45/IP67	Cat5 RJ45 IP67 Plastic sleeve housing	5,30	5,02	4,78	4,47
651	1652732	E	VS-08-T-H-RJ45/IP67	Cat6 RJ45 IP67 Plastic sleeve housing	6,31	6,00	5,72	5,38
651	1689080	-	VS-08-A-RJ45/MOD-1-IP67	IP67 Panel mount frame for sq panel cutout	2,55	2,41	2,29	2,15
651	1689844	-	VS-08-A-RJ45/MOD-1-R-IP67	IP67 Panel mount frame for round cut-out	4,52	4,30	4,10	3,86
651	1688573	F	VS-08-ST-RJ45	Cat5 RJ45 Male insert, IDC	2,60	2,46	2,34	2,19
651	1658008	G	VS-08-RJ45-5-Q/IP20BK	Cat5 RJ45 Male insert, IDC, w/ IP20 housing	7,51	7,11	6,77	6,35
651	1419001	G	VS-08-RJ45-10G/Q	Cat6 RJ45 Male insert, IDC w/IP20 housing	25,09	23,83	22,64	21,51
651	1656990	H	VS-08-RJ45-5-Q/IP67	Cat5 RJ45 Male insert, IDC, w/ IP67 housing	26,02	24,74	23,58	22,19
651	1689064	I	VS-08-BU-RJ45/BU	Cat5 RJ45 Female insert, Fem / Fem	7,01	6,64	6,32	5,92
651	1653087	I	VS-08-BU-RJ45-6/LH-1	Cat6 RJ45 Female insert for PCB (angled pins)	5,60	5,33	5,07	4,79
651	1689200	-	VS-08-SD	Flat protective cover	3,75	3,42	3,16	3,04
Tooling					1 5			
651	1206696	-	CRIMPFOX-LC	Hand crimp tool without die	241,62		225,52	
651	1207420	-	CRIMPFOX-LC-RJ45S	Die for VS-08-ST-RJ45 male insert	197,96		190,06	

Variosub USB

Features:

- Compatible with USB 2.0
- Transmission rate 480Mbps
- IP67 and IP20 rated connections for protection from dust, dirt, water
- Mates with Phoenix Contact VARIOSUB USB Patch Cables

For quantities greater than listed, call for quote.

MOUSER STOCK NO.		Fig.	Phoenix Type	Description	Price Each			
Mfr.	Mfr. Part No.				1	10	25	50
651	1653744	-	VS-A-F-IP67	IP67 Panel mounting frame for female inserts	3,98	3,62	3,41	3,23
651	1653838	J	VS-04-BUA-BUB-F/IP67	USB-A to USB-B Fem / Fem insert (reversible)	18,03	16,04	15,54	14,72
651	1653854	J	VS-04-BUA-FK-F/IP67	USB-A Female insert for flat-ribbon connection	18,03	16,03	15,53	14,71
651	1653867	J	VS-04-BUB-FK-F/IP67	USB-B Female insert for flat-ribbon connection	18,03	16,03	15,53	14,71

INDUSTRIAL M12 SPEEDCON MINI-B USB CONNECTORS

Features:

- For harsh industrial applications
- Meets USB 2.0 with a transfer rate of 480 Mbit/s
- IP67 protected
- Utilizes the SPEEDCON connection system



For quantities greater than listed, call for quote.

MOUSER STOCK NO.		Fig.	Phoenix Type	Description	Price Each		
Mfr.	Mfr. Part No.				1	10	50
Receptacle							
651	1440711	K	VS-EC-MSDB SH SCO	Mini-B USB, Straight Solder	30,15	28,59	26,35
Cable Assemblies							
651	1420168	L	VS-FSDB-IP20SDA/981/1,0 SCO	USB mini-B/IP20 on USB type A/IP20, length: 1 m	27,61	26,19	24,15
651	1420171	L	VS-FSDB-IP20SDA/981/2,0 SCO	USB mini-B/IP20 on USB type A/IP20, length: 2 m	33,77	32,03	29,53
651	1420184	L	VS-FSDB-IP20SDA/981/5,0 SCO	USB mini-B/IP20 on USB type A/IP20, length: 3 m	41,37	39,25	36,18

VARIOSUB ODVA V1 CONNECTORS

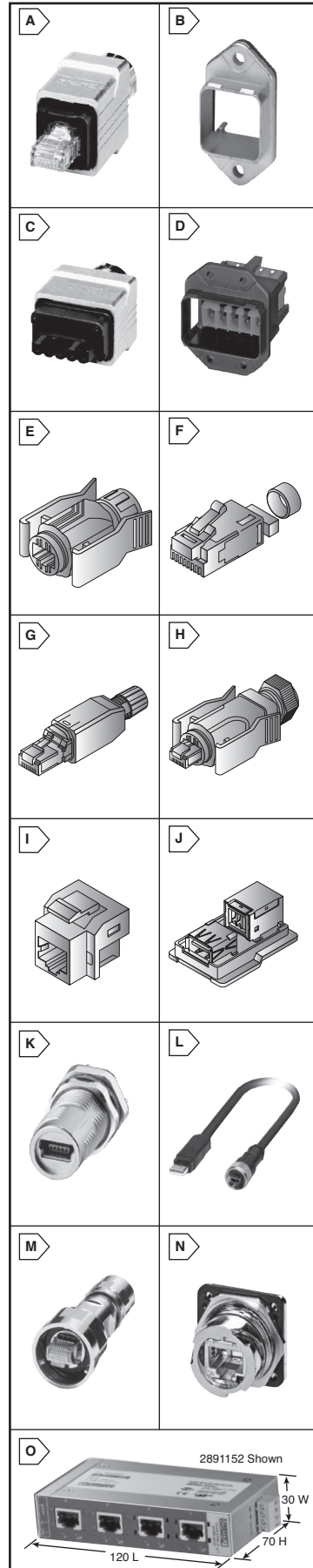
For quantities greater than listed, call for quote.

MOUSER STOCK NO.		Fig.	Phoenix Type	Description	Price Each	
Mfr.	Mfr. Part No.				1	5
651	1419182	M	VS-V1-C-RJ45-MNNA-PG9-8-I-5-S	Metal RJ45 connector	58,62	55,69
651	1419184	N	VS-V1-F-RJ45-MNNA-1-C-S-JJ-S	RJ45 panel frame F/F insert	62,39	59,27
651	1419185	N	VS-V1-F-RJ45-MNNA-1-C-S-JI-S	RJ45 panel frame with insert for cable	62,38	59,27
651	1419183	-	VS-V1-C-PC-POBK	Protective cover for connector	7,94	7,55
651	1419186	-	VS-V1-F-PC-POBK	Protective cover for panel frame	9,98	9,22

SWITCHES

For quantities greater than listed, call for quote.

MOUSER STOCK NO.		Fig.	Phoenix Type	Description	Price Each	
Mfr.	Mfr. Part No.				1	2
Unmanaged Switches						
651	2891152	O	FL Switch SFN 5TX	5 TP-RJ45 ports	81,74	76,30
651	2891929	O	FL Switch SFN 8TX	8 TP-RJ45 ports	131,18	129,27
651	2891851	O	FL Switch SFN 4TX/FX	4 TP-RJ45 ports / 1 Fiber Port	194,02	181,10
Managed Switches						
651	2989226	-	FL Switch SMCS 8TX	8 RJ45 ports, 10/100 Mbps w/ auto negotiation and autocross	741,68	704,55
651	2989323	-	FL Switch SMCS 6TX/2SFP	6 RJ45 / 2 SFP ports, 10/100 Mbps w/ auto negotiation and autocross	934,73	887,99



Data/Network/Telecom
Phoenix Contact

CAT 5e Patch Cords and Industrial Patch Cords

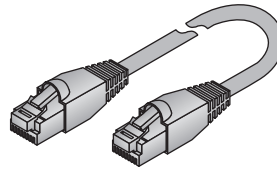
RoHS Compliant This product is RoHS compliant.

AIM CAMBRIDGE

CAT 5E ETHERNET PATCH CORDS

Specifications:

- Cables are designed with 50µ" gold-plated modular plugs
- Molded cables have a flexible low-profile snagless strain relief
- Cat5e cables are constructed of UL 350 MHz 24AWG UTP cable
- ETL tested and verified to Category 5e standards
- Male RJ45 to Male RJ45



For quantities greater than listed, call for quote.

MOUSER STOCK NO.	AIM Cambridge Part No.	Length	Description	Color	Price Each			
					1	10	25	100
601-737790-1	737790-1	1'	Molded & Booted	Gray	2,35	1,18	1,09	1,01
601-737791-1	737791-1	1'	Molded & Booted	Black	1,86	0,939	0,866	0,812
601-737792-1	737792-1	1'	Molded & Booted	Blue	1,85	0,93	0,865	0,806
601-737793-1	737793-1	1'	Molded & Booted	Green	1,86	0,939	0,866	0,812
601-737795-1	737795-1	1'	Molded & Booted	Yellow	1,45	0,73	0,675	0,629
601-73-7770-3	73-7770-3	3'	Assembled	Gray	1,69	1,30	1,20	1,12
601-73-7771-3	73-7771-3	3'	Assembled	Black	1,69	1,30	1,20	1,12
601-73-7772-3	73-7772-3	3'	Assembled	Blue	1,69	1,30	1,20	1,11
601-73-7770-7	73-7770-7	7'	Assembled	Gray	2,22	1,85	1,71	1,61
601-73-7771-7	73-7771-7	7'	Assembled	Black	2,64	2,21	2,04	1,90
601-73-7772-7	73-7772-7	7'	Assembled	Blue	2,64	2,21	2,04	1,89
601-73-7773-7	73-7773-7	7'	Assembled	Green	2,64	2,20	2,03	1,89
601-73-7771-14	73-7771-14	14'	Assembled	Black	5,33	3,77	3,47	3,22
601-73-7771-25	73-7771-25	25'	Assembled	Black	8,77	6,56	6,06	5,63
601-737791-100	73-7791-100	100'	Molded & Booted	Black	33,09	22,66	20,92	19,42

Data/Network/Telecom

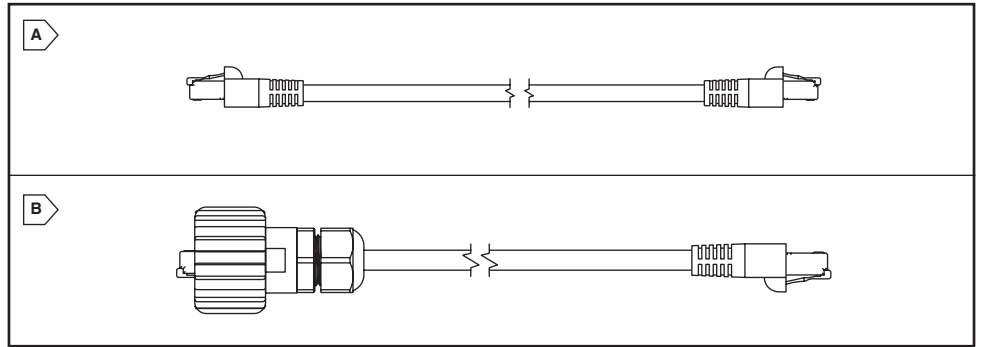
CONEC CAT 5E PATCH CORDS

IP20 to IP20:

- Field attachable patch cord
- 2 x Standard RJ45 IP20

IP67 to IP20:

- Metal design
- M28 plug connector screw termination
- Field attachable patch cord
- 1 x Metal Industrial RJ45-IP67 – 1 x Standard RJ45-IP20



For quantities greater than listed, call for quote.

MOUSER STOCK NO.	CONEC Part No.	Fig.	Description	Price Each			
				1	10	25	50
Standard to Standard Cat 5e RJ45 Ethernet Patch Cord							
631-17-100654	17-100654	A	2 m long black UTP cable	5,86	5,21	4,69	4,26
631-17-100684	17-100684	A	2 m long blue UTP cable	5,86	5,21	4,69	4,26
631-17-100714	17-100714	A	2 m long red UTP cable	5,86	5,21	4,69	4,26
631-17-100744	17-100744	A	2 m long green UTP cable	5,86	5,21	4,69	4,26
631-17-100664	17-100664	A	4 m long black UTP cable	8,37	7,44	6,70	6,09
631-17-100694	17-100694	A	4 m long blue UTP cable	8,37	7,44	6,70	6,09
631-17-100724	17-100724	A	4 m long red UTP cable	8,37	7,44	6,70	6,09
631-17-100754	17-100754	A	4 m long green UTP cable	8,37	7,44	6,70	6,09
631-17-100674	17-100674	A	5 m long black UTP cable	9,78	8,69	7,82	7,11
631-17-100704	17-100704	A	5 m long blue UTP cable	9,78	8,69	7,82	7,11
631-17-100734	17-100734	A	5 m long red UTP cable	9,78	8,69	7,82	7,11
631-17-100764	17-100764	A	5 m long green UTP cable	9,78	8,69	7,82	7,11
Industrial to Standard Cat 5e RJ45 Ethernet Patch Cord							
631-17-10006	17-10006	B	Plastic UTP - black, 2 m	8,48	7,53	6,78	6,16
631-17-10007	17-10007	B	Plastic UTP - black, 4 m	9,26	8,23	7,41	6,73
631-17-10008	17-10008	B	Plastic UTP - black, 5 m	9,68	8,60	7,74	7,04
631-17-10028	17-10028	B	Metallized plastic STP - black 2 m	15,41	13,70	12,33	11,20
631-17-10029	17-10029	B	Metallized plastic STP - black 4 m	19,26	17,13	15,41	14,01
631-17-10030	17-10030	B	Metallized plastic STP - black 5 m	21,33	18,96	17,06	15,51

PHOENIX CONTACT VARIOSUB INDUSTRIAL PATCH CABLES

INSPIRING INNOVATIONS

For quantities greater than listed, call for quote.

MOUSER STOCK NO.	Phoenix Contact Part No.	Phoenix Type	Description	Price Each			
				1	2	5	10
USB Patch Cables							
651-1653919	1653919	VS-04-2x2x26C7/7-67B/SdA/2.0	Type B/IP67 - Type A/stand, 2m	54,76	52,07	49,62	46,70
651-1653906	1653906	VS-04-2x2x26C7/7-67A/SdB/5.0	Type A/IP67 - Type B/stand, 5m	70,69	67,20	64,04	60,29
651-1653922	1653922	VS-04-2x2x26C7/7-67B/SdA/5.0	Type B/IP67 - Type A/stand, 5m	70,69	67,20	64,04	60,29
651-1654853	1654853	VS-04-2X2X26C7/7-SDA/SDB/1.0	Standard Type A-to-Standard Type B, 1m	45,02	42,80	40,80	38,39
651-1653935	1653935	VS-04-2X2X26C7/7-SDA/SDB/2.0	Standard Type A-to-Standard Type B, 2m	50,85	48,35	46,08	43,36
651-1655797	1655797	VS-04-2x2x26C7/7-SDA/OE/5.0	Standard Type A-to-open end, 5m	48,72	46,32	44,14	41,54
M12 Ethernet Cables							
651-1657517	1657517	VS-DSIV-M12FSD/0,5-RJ45	Female M12 to RJ45, .05m	46,89	44,58	42,50	40,00
651-1524006	1524006	SAC-4P-M12MSD/2,0-930	Male M12 to Free End 2m, 4 pos. connector	39,56	36,00	33,44	31,69

© Copyright 2012 Mouser Electronics

© Copyright 2012 Mouser Electronics

MOLEX SOLAR SPEC™ Connectors and Junction Box

molex
one company > a world of innovation

NEW TECHNOLOGY NEW TECHNOLOGY Photovoltaic (Solar) Molex NEW TECHNOLOGY NEW TECHNOLOGY

SOLAR SPEC™ DC CONNECTORS

SolarSpec™ DC Connectors from Molex with quick, easy 'snap-lock' mating and internal locking mechanism for superior safety provide a rugged, durable, IP-67 sealed connection for series cabling of PV solar panels

Features and Benefits:

- Reliable, robust industry standard pin and socket DC connectors for series cabling of silicon photovoltaic (PV) panels
- Simple 'snap-lock' mating for quick and easy factory or field assembly
- Polarization and an audible 'click' ensure successful mating of the connectors
- Internal locking mechanism protected by latch guards prevents accidental and unauthorized decoupling of connectors; ensures reliable connection and safe handling
- 'Touch-proof' safety design provides protection from electrical current even when connectors are unmated
- IP67 sealing protection against dust and water

- Resistant to UV and ozone damage
- Dual-qualification by TÜV and UL; guarantees long-life in harsh environments
- Exclusive molded surface ribs allow for secure gripping, especially with work gloves
- Contact resistance <0.5mΩ; lowest contact resistance compared with competitor products for greatest efficiency
- Strain relief ensures strong, secure, enduring cable connections
- Meets NEC 2008 and NFPA 70; US-code compliant for "The safe installation of electrical wiring and equipment"
- Accommodates 14, and 12 to 10 AWG cable

Markets and Applications:

- A junction box is assembled on to each PV panel during the panel manufacturing process
- DC connectors, terminated to cables, are used to link the junction boxes and PV panels in a serial grid array (parallel arrangements are also possible)
- Applications for solar silicon photovoltaic (PV) panels include:
 - Stadiums
 - Home Installations
 - Public Buildings
 - Solar farms (power plants)



RoHS Compliant

For quantities greater than listed, call for quote.

CONNECTORS

MOUSER STOCK NO.	Molex Part No.	Fig.	Wire Gauge mm ²	Wire Gauge AWG	Price Each			
					1	10	100	500
Female								
538-130244-0203	130244-0203	A	2.50	14	5,61	4,91	4,36	3,92
538-130244-0201	130244-0201	A	4.00 - 6.00	10 - 12	5,61	4,91	4,36	3,92
Male								
538-130244-0204	130244-0204	B	2.50	14	5,87	5,14	4,57	4,11
538-130244-0202	130244-0202	B	4.00-6.00	10 - 12	5,87	5,14	4,57	4,11

CONNECTOR KITS

Kits contain housing assembly with contact



RoHS Compliant

For quantities greater than listed, call for quote.

MOUSER STOCK NO.	Molex Part No.	Fig.	Wire Gauge mm ²	Wire Gauge AWG	Price Each			
					1	10	100	500
Female								
538-130244-1203	130244-1201	C	2.50	14	20,85	18,24	16,22	14,59
538-130244-1201	130244-1203	C	4.00 - 6.00	10 - 12	20,85	18,24	16,22	14,59
Male								
538-130244-1204	130244-1202	D	2.50	14	21,20	18,55	16,48	14,84
538-130244-1202	130244-1204	D	4.00-6.00	10 - 12	21,20	18,55	16,48	14,84

CONTACTS

Loose Piece



RoHS Compliant

For quantities greater than listed, call for quote.

MOUSER STOCK NO.	Molex Part No.	Fig.	Wire Gauge mm ²	Wire Gauge AWG	Price Each			
					1	10	100	500
Sockets								
538-130197-0336	130197-0336	E	2.50	14	0,75	0,654	0,583	0,521
538-130197-0325	130197-0325	E	4.00-6.00	10 - 12	0,75	0,654	0,583	0,521
Pins								
538-130196-0313	130196-0313	F	2.50	14	0,68	0,593	0,521	0,47
538-130196-0310	130196-0310	F	4.00-6.00	10 - 12	0,68	0,593	0,521	0,47

Reels

For quantities greater than listed, call for quote.

MOUSER STOCK NO.	Molex Part No.	Fig.	Wire Gauge mm ²	Wire Gauge AWG	Reel Quantity	Price Each
Sockets						
538-130197-0347	130197-0347	E	2.50	14	2000	0,276
538-130197-0346	130197-0346	E	4.00-6.00	10 - 12	2000	0,276
Pins						
538-130196-0315	130196-0315	F	2.50	14	2000	0,276
538-130196-0314	130196-0314	F	4.00-6.00	10 - 12	2000	0,276

TOOLS



RoHS Compliant

For quantities greater than listed, call for quote.

MOUSER STOCK NO.	Molex Part No.	Fig.	Description	Price Each
538-130203-1250	130203-1250	G	Service Tool, PV Solar	1,70
538-63823-6400	63823-6400	-	Hand Crimp Tool	341,22

SOLAR SPEC™ JUNCTION BOX AND CABLE ASSEMBLIES

Features:

- Junction Boxes are assembled on to panels as part of the PV manufacturing process
- Cables are then connected together to link the panels in a serial grid array (parallel arrangements are also possible)

Electrical:

- Rated Voltage: 1000 VDC
- Rated Current: 9A
- Dielectric Withstanding Voltage: 6000 V min.
- Insulation Resistance: >400 Megaohms

Applications:

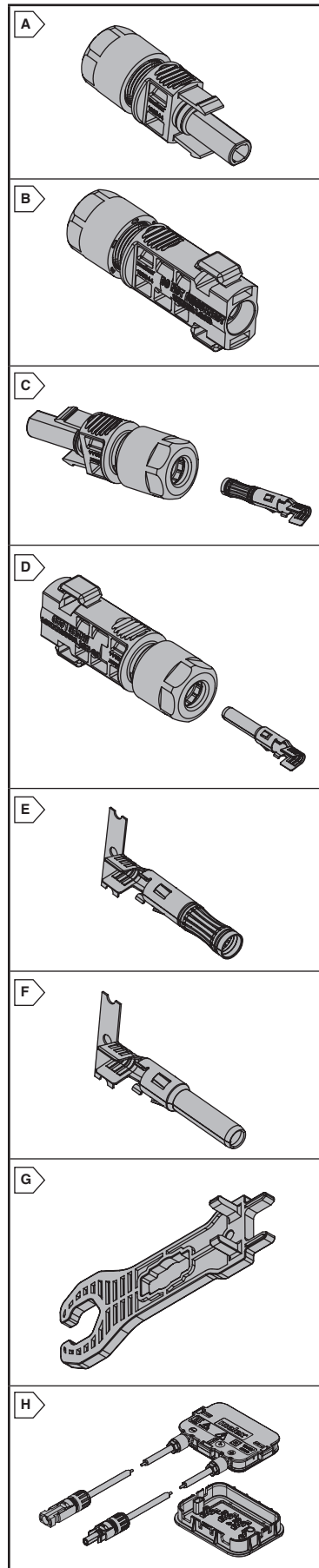
- Stadiums
- Home Installations
- Public Buildings
- Solar Farms (Power Plants)



RoHS Compliant

For quantities greater than listed, call for quote.

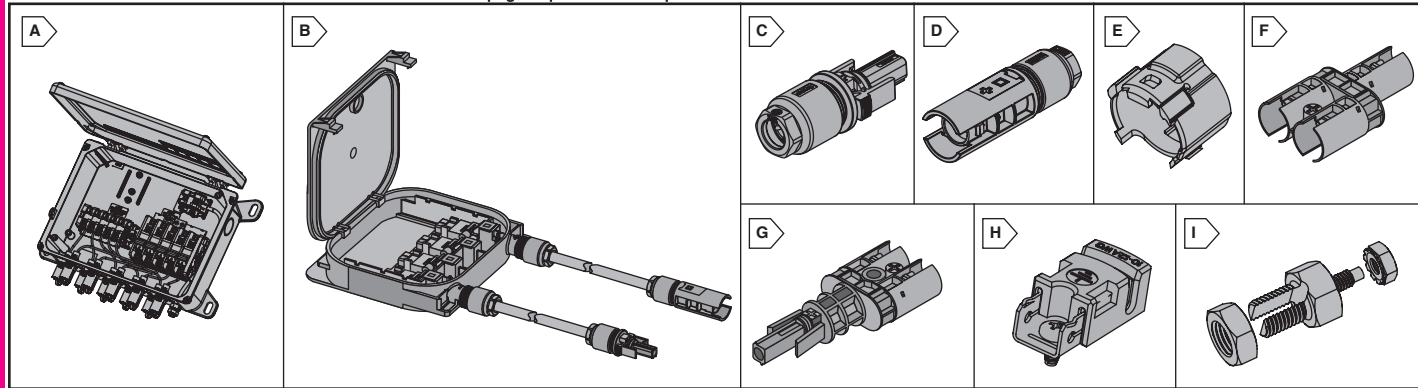
MOUSER STOCK NO.	Molex Part No.	Fig.	Cable Length (M)	Solder Charge™ Terminals	Attachment	Cable Type	Price Each	
							1	5
538-93170-5111	93170-5111	H	0.9	Yes	Tape	Dual-qualified (UL/TÜV)	30,82	29,28



TE SOLARLOK Connector System



RoHS Compliant This page of product is compliant.



TE is contributing to the establishment of this environmentally friendly technology with the introduction of its SOLARLOK Connector System. The SOLARLOK Connector System delivers a flexible solution for easy and reliable interconnections from photovoltaic modules to the DC/AC converter. The entire system concept is based on cost-effective and reliable processing of individual connector system components. This significantly reduces installation costs of the solar energy system.

Features:

- Simple on-site processing
- Mating safety provided by keyed housing
- Semi-automatic assembly capability possible
- First-mate/last-break contacts support hot plugging
- Multiple plugging and unplugging cycles
- Accommodates solar cable with different insulation diameters
- High current carrying capacity
- Wide temperature operating range
- Polarized, keyed housings
- TÜV and UL approved
- Locking collar meets NEC 2008 Code

COMBINER BOX

For quantities greater than listed, call for quote.

MOUSER STOCK NO.	TE Part No.	Fig.	Description	Price Each		
				1	5	10
571-1954283-1	1954283-1	A	Residential Combiner Box	192,49	174,83	167,34

JUNCTION BOX

For quantities greater than listed, call for quote.

MOUSER STOCK NO.	TE Part No.	Fig.	Description	Price Each		
				1	10	25
571-1740699-6	1740699-6	B	Solarlok 4 Pos Junction Box	44,77	41,57	38,80

CABLE COUPLERS

For quantities greater than listed, call for quote.

MOUSER STOCK NO.	TE Part No.	Fig.	Cable Outer Dia. (mm)	MOUSER STOCK NO.	Tyco Electronics Part No.	Cable Outer Dia. (mm)	Wire Size		Keying	Price Each			
							mm ²	AWG		1	10	25	
Female Cable Couplers													
571-1394462-3	1394462-3	C	5.5 - 8.0	571-4-1394462-8	4-1394462-8	4.5 - 6.0	4.0	12	Plus	3,83	3,62	3,42	
571-1394462-4	1394462-4	C	5.5 - 8.0	571-4-1394462-9	4-1394462-9	4.5 - 6.0	4.0	12	Minus	3,73	3,64	3,55	
571-5-1394462-5	5-1394462-5	C	5.5 - 8.0	571-6-1394462-3	6-1394462-3	4.5 - 6.0	6.0	10	Plus	5,15	5,02	4,89	
571-5-1394462-6	5-1394462-6	C	5.5 - 8.0	571-6-1394462-4	6-1394462-4	4.5 - 6.0	6.0	10	Minus	3,45	3,19	2,79	
Male Cable Couplers													
571-1394461-3	1394461-3	D	5.5 - 8.0	571-7-1394461-0	7-1394461-0	4.5 - 6.0	4.0	12	Plus	4,71	4,52	4,33	
571-1394461-4	1394461-4	D	5.5 - 8.0	571-7-1394461-1	7-1394461-1	4.5 - 6.0	4.0	12	Minus	4,65	4,53	4,42	
571-6-1394461-5	6-1394461-5	D	5.5 - 8.0	571-7-1394461-3	7-1394461-3	4.5 - 6.0	6.0	10	Plus	4,99	4,79	4,60	
571-6-1394461-6	6-1394461-6	D	5.5 - 8.0	571-7-1394461-4	7-1394461-4	4.5 - 6.0	4.0	10	Minus	3,45	3,18	2,78	
*571-6-1394461-2	6-1394461-2	D	5.5 - 8.0	*571-7-1394461-2	7-1394461-2	4.5 - 6.0	4.0	12	Neutral	3,84	3,74	3,65	
*571-6-1394461-4	6-1394461-4	D	5.5 - 8.0	*571-7-1394461-5	7-1394461-5	4.5 - 6.0	6.0	10	Neutral	3,44	3,17	2,77	
Locking Collar													
571-2106207-1	2106207-1	E	Description								0,40	0,363	0,322
			Safety Locking Collar Accessory						---	---			

* For serial interconnection

T-BRANCH CONNECTORS

For quantities greater than listed, call for quote.

MOUSER STOCK NO.	TE Part No.	Fig.	Description	Price Each		
				1	10	25
571-1534611-1	1534611-1	F	Male-to-Male, Plus Keyed	10,52	9,83	9,18
571-1534611-2	1534611-2	F	Male-to-Male, Minus Keyed	9,41	8,78	8,21
571-1740277-1	1740277-1	G	Female-to-Male, Plus Keyed	12,56	11,64	10,17
571-1740277-2	1740277-2	G	Female-to-Male, Minus Keyed	12,57	11,65	10,18

GROUNDING SOLUTIONS

For quantities greater than listed, call for quote.

MOUSER STOCK NO.	TE Part No.	Fig.	Description	Price Each		
				1	10	25
571-1954381-1	1954381-1	H	Solklip™ for Solar Grounding	5,71	5,43	5,16
571-2058729-1	2058729-1	I	Solklamp™ Ground Bolt; 6-12 AWG Solid Wire	11,49	10,64	9,30

SOLAR CABLE, 1-POLE

For quantities greater than listed, call for quote.

MOUSER STOCK NO.	TE Part No.	AWG	Outer Diameter (in.)	Spool Length (ft.)	Color	Price Per Foot
571-1986165-2	1986165-2	12	0.019	500	Black	0,41
571-1986164-2	1986164-2	10	0.021	500	Black	0,73

Sold in spool length only

TOOLS

For quantities greater than listed, call for quote.

MOUSER STOCK NO.	TE Part No.	Description	Price Each
571-1-1579004-2	1-1579004-2	Hand Crimping Tool (4.0 + 6.0 mm ²)	412,14
571-1102855-3	1102855-3	Extraction Tool	80,64
571-4-1579002-2	4-1579002-2	Insulation Stripper	276,00

FIELD SERVICE KIT

For quantities greater than listed, call for quote.

MOUSER STOCK NO.	TE Part No.	Description	Price Each
571-1534858-1	1534858-1	100 Cable Coupler (Housing, Plus and Minus coded), Crimp Contacts (4.0 and 6.0 mm ²), Strain Relief, Seals, Hand Crimp Tool, Extraction Tool, Insulation Stripper	1190,75

TE Solar Identification Labels

RoHS Compliant This product is RoHS compliant.

TE Authorized Distributor
connectivity

<p>A</p> <p>Solar Disconnect</p> <p>WARNING—Electric Shock Hazard DO NOT TOUCH TERMINALS Terminals on both Line and Load sides may be energized in the Open Position.</p>	<p>B</p> <p>DC Disconnect</p> <p>WARNING—Electric Shock Hazard DO NOT TOUCH TERMINALS Terminals on both Line and Load sides may be energized in the Open Position.</p> <p>DC VOLTAGE IS ALWAYS PRESENT WHEN SOLAR MODULES ARE EXPOSED TO SUNLIGHT</p>	<p>E</p> <p>RATED OPERATING CURRENT: _____ A RATED OPERATING VOLTAGE: _____ V MAXIMUM SYSTEM VOLTAGE: _____ V RATED SHORT-CIRCUIT CURRENT: _____ A POLARITY OF GROUNDED CONDUCTOR: _____ MAXIMUM VOLTAGE: _____ V</p>	<p>F</p> <p>Peak Power: _____ Max Power Voltage: _____ Max Power Current: _____ Max Open Circuit Voltage: _____ Short Circuit Current: _____</p>
<p>C</p> <p>WARNING—Dual Power Sources Second source is photovoltaic system</p>	<p>D</p> <p>WARNING—Electric Shock Hazard No user serviceable parts inside Contact authorized service for assistance</p>		

SOLAR IDENTIFICATION LABELS

TE introduces label solutions for Solar Panel Installation per the National Electric Code (NEC) specification. Labels are manufactured using ultraviolet (UV) resistant ink, permanent acrylic adhesive and base material designed to withstand environmental elements. A laminate is added to provide additional protection against prolonged UV exposure.

Features:

- For use in identification of DC disconnects and inverters
- Designed to use on painted smooth metal and textured metal surfaces
- Excellent durability in extreme outdoor elements
- Resistant to UV, rain, humidity, cold, and salt spray
- Service Temperature: -51°C to 93.3°C (-60°F to 200°F)

Materials:

- High performance vinyl base material
- UV resistant ink
- UV resistant clear lamination

MOUSER STOCK NO.	Raychem Part No.	TE Part No.	Fig.	Label Description	Price Per Label			
					1	10	25	100
650-SOLSD10407640.5	SOL-SD-104076-4-0.5	CL3803-000	A	Solar Disconnect Warning	1,80	1,70	1,63	1,37
650-SOLDLDCD10410040.5	SOL-DCD-104100-4-0.5	CL3806-000	B	DC Disconnect Warning	1,66	1,58	1,51	1,28
650-SOLDPS10401940.5	SOL-DPS-104019-4-0.5	CL3804-000	C	Warning - Dual Power Sources	0,86	0,775	0,68	0,626
650-SOLESH10401940.5	SOL-ESH-104019-4-0.5	CL3805-000	D	Warning - Electric Shock Hazard	0,56	0,53	0,503	0,462
650-SOL-CP-127508N1	SOL-CP-127508N-.1-X	CR0781-000	-	Laminate for SOL-SRS-127508N-.1-4	1,14	1,02	0,925	0,843
650-SOL-SRS-127698N1	SOL-SRS-127698N-.1-4	CR0782-000	E	System Charge Controller Rating	0,95	0,884	0,816	0,734
650-SOL-CP-127698N1	SOL-CP-127698N-.1-X	CR0783-000	-	Laminate for SOL-SRS-127698N-.1-4	0,71	0,653	0,612	0,544
650-SOL-SRS-812120N1	SOL-SRS-812120N-.1-4	CR0784-000	F	Generic System Rating	1,09	1,01	0,938	0,843
650-SOL-CP-812120N1	SOL-CP-812120N-.1-X	CR0785-000	-	Laminate for SOL-SRS-812120N-.1-4	0,93	0,857	0,789	0,707

For quantities greater than listed, call for quote.

REFLECTIVE SOLAR LABELS

Reflective solar labels are manufactured using retro reflective marking to provide emergency responders with appropriate warning and guidance relative to isolating the solar electric system. The labels were designed to be in accordance with the dimensional, functional, and verbiage requirements established by the California Fire Marshall's April 2009, Solar Photovoltaic Installation Guideline.



Features:

- Reflectivity even in poor visibility and bad weather conditions
- 7-10 year outdoor durability (longer if indoors or protected from weather)
- Highly flexible for uneven surfaces, painted, smooth metal or textured metal surfaces
- Reflective properties are built in, not a "charge time" film
- Special impact and scratch resistant surface and flexibility make it suitable for identification in darkened areas

For quantities greater than listed, call for quote.

MOUSER STOCK NO.	Raychem Part No.	TE Part No.	Label Description	Price Per Sheet (5 labels per sheet)			
				1	10	25	100
650-SOLSD10407640.5	SOL-SD-104076-4-0.5	CL3803-000	Solar Disconnect Warning	1,80	1,70	1,63	1,37
650-SOLDLDCD10410040.5	SOL-DCD-104100-4-0.5	CL3806-000	DC Disconnect Warning	1,66	1,58	1,51	1,28

© Copyright 2012 Mouser Electronics

© Copyright 2012 Mouser Electronics

mouser.com/te

All Prices
In EURO

EUsales@mouser.com

1221

Photovoltaic (Solar)

TE Connectivity

TE D-Subminiature Connectors

RoHS Compliant This product is RoHS compliant.

HD-20 SERIES, PCB CONNECTORS

- Shell: Steel, tin plated
- Contacts: Pins - brass, sockets - phosphor bronze

- Contact Plating: (a) Gold on mating end, tin on termination end, nickel underplated
(b) Same as (a) with gold flash on mating end

Straight Posted Connectors, Front Metal-Shell

- Housing: UL 94V-0 black thermoplastic
- Threaded Inserts: Brass, unplated
- Female Screwlocks: Zinc



RoHS Compliant

Plugs

For quantities greater than listed, call for quote.

MOUSER STOCK NO.	TE Part No.	Fig.	Shell Size	No of Pos.	Post Length (In.)	Plating Code	Price Each		
							1	10	100
With Standard Mounting Holes									
571-5747871-2	5747871-2	A	1	9	0.125	a	3,39	3,29	3,19
571-5747872-4	5747872-4	A	2	15	0.170	a	3,57	3,51	3,46
571-5747375-2	5747375-2	A	4	37	0.125	a	8,85	7,91	6,43
With Threaded Inserts									
571-5747871-8	5747871-8	B	1	9	0.125	a	5,46	5,18	4,92
571-5747872-8	5747872-8	B	2	15	0.125	a	4,86	4,61	4,38
571-5745968-8	5745968-8	B	3	25	0.125	a	6,89	6,48	6,08
571-5747375-8	5747375-8	B	4	37	0.125	a	10,32	9,80	9,31
With Female Screwlocks									
571-1-5747871-4	1-5747871-4	C	1	9	0.125	a	6,21	5,90	5,61
571-1-5745968-4	1-5745968-4	C	3	25	0.125	a	9,08	7,81	5,85



RoHS Compliant

Receptacles

For quantities greater than listed, call for quote.

MOUSER STOCK NO.	TE Part No.	Fig.	Shell Size	No of Pos.	Post Length (In.)	Plating Code	Price Each		
							1	10	100
With Standard Mounting Holes									
571-5747150-2	5747150-2	D	1	9	0.125	a	6,98	6,63	6,30
571-5747299-2	5747299-2	D	2	15	0.125	a	3,38	3,21	3,05
571-5745967-2	5745967-2	D	3	25	0.125	a	6,24	5,25	4,80
With Threaded Inserts									
571-5747150-8	5747150-8	E	1	9	0.125	a	4,49	4,36	3,80
571-5747150-7	5747150-7	E	1	9	0.125	b	4,65	4,42	4,20
571-5747299-8	5747299-8	E	2	15	0.125	a	4,56	4,34	4,12
571-5745967-8	5745967-8	E	3	25	0.125	a	6,94	6,32	5,74
571-5745967-7	5745967-7	E	3	25	0.125	b	6,98	6,63	6,30
571-5747301-8	5747301-8	E	4	37	0.125	a	11,96	11,06	9,67
With Retention Inserts									
571-2-5747706-0	2-5747706-0	F	1	9	0.125	a	5,44	4,66	4,43
571-2-5747708-0	2-5747708-0	F	3	25	0.125	a	7,13	6,77	6,43
With Female Screwlocks									
571-1-5747150-4	1-5747150-4	G	1	9	0.125	a	4,90	4,46	3,78
571-1-5747150-6	1-5747150-6	G	1	9	0.170	a	5,93	5,64	5,35
571-1-5747299-4	1-5747299-4	G	2	15	0.125	a	5,63	5,35	5,08
571-1-5745967-4	1-5745967-4	G	3	25	0.125	a	6,98	5,06	4,80

Straight Posted Connectors, Full Metal-Shell

- Housing: UL 94V-0 black thermoplastic



RoHS Compliant

Plugs with Mounting Holes

For quantities greater than listed, call for quote.

MOUSER STOCK NO.	TE Part No.	Fig.	Shell Size	No of Pos.	Post Length (In.)	Plating Code	Price Each		
							1	10	100
571-5745410-1	5745410-1	H	1	9	0.125	a	4,25	3,83	3,19
571-5745411-1	5745411-1	H	2	15	0.125	a	7,09	6,43	5,40



RoHS Compliant

Receptacles with Mounting Holes

For quantities greater than listed, call for quote.

MOUSER STOCK NO.	TE Part No.	Fig.	Shell Size	No of Pos.	Post Length (In.)	Plating Code	Price Each		
							1	10	100
571-5745183-2	5745183-2	I	1	9	0.125	b	4,71	4,48	4,25
571-5745187-1	5745187-1	I	3	25	0.125	a	8,25	7,48	6,30

Straight Posted Connectors, with ACTION PIN Contacts, Front Metal-Shell

- Housing: UL 94V-0 black thermoplastic
- ACTION PIN Contacts: Copper Alloy

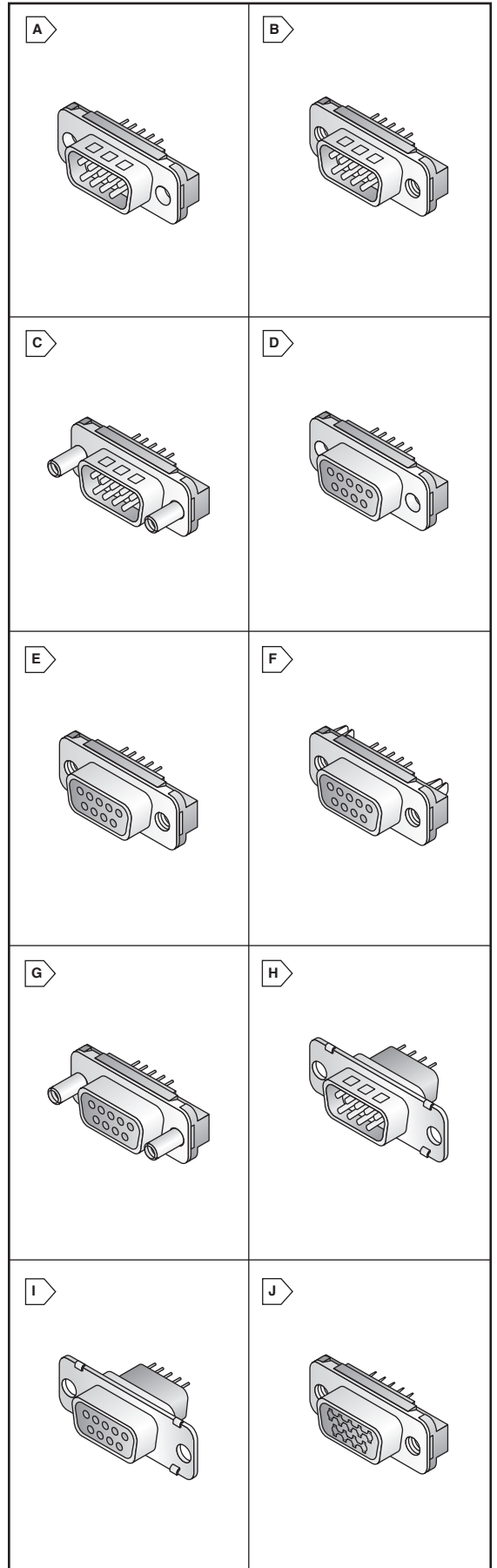


RoHS Compliant

Receptacles with Threaded Inserts

For quantities greater than listed, call for quote.

MOUSER STOCK NO.	TE Part No.	Fig.	Shell Size	No of Pos.	Post Length (In.)	Plating Code	Price Each		
							1	10	100
571-5747090-2	5747090-2	J	1	9	0.228	a	5,87	5,58	5,30



TE Connectivity "D" Connectors

TE D-Subminiature PCB Connectors



This product is RoHS compliant.

HD-20 SERIES RIGHT ANGLE CONNECTORS, FRONT METAL SHELL

- Shell: Steel, tin plated
- Contacts: Pins - brass, sockets - phosphor bronze
- .318 PCB footprint
- Housing: UL 94V-0 black thermoplastic
- Contact Plating: (a) Gold on mating end, tin on termination end, nickel underplated
(b) Gold flash on mating end, tin on termination end, nickel underplated



RoHS Compliant

Plugs

For quantities greater than listed, call for quote.

MOUSER STOCK NO.	TE Part No.	Fig.	Shell Size	No. of Positions	Post Length (in.)	Plating Code	Price Each		
							1	10	100
Without boardlocks, with threaded inserts									
571-5747250-4	5747250-4	A	1	9	0.125	a	2,28	2,15	1,71
571-5747236-4	5747236-4	A	2	15	0.125	a	3,72	2,83	2,35
571-5747238-4	5747238-4	A	3	25	0.125	a	4,98	4,52	3,79
571-5747252-4	5747252-4	A	4	37	0.125	a	11,18	10,85	10,52
With boardlocks & threaded inserts									
571-5747840-4	5747840-4	A	1	9	0.125	a	2,50	2,34	1,62
571-5747840-3	5747840-3	A	1	9	0.125	b	2,38	2,28	1,92
571-5747841-4	5747841-4	A	2	15	0.125	a	3,00	2,78	2,11
571-5747842-4	5747842-4	A	3	25	0.125	a	3,39	2,55	2,48
571-5747843-4	5747843-4	A	4	37	0.125	a	3,84	3,72	3,22
With boardlocks & female screwlocks									
571-5747840-6	5747840-6	A	1	9	0.125	a	2,19	1,74	1,55
571-5747841-6	5747841-6	A	2	15	0.125	a	2,72	2,45	2,21
571-5747842-6	5747842-6	A	3	25	0.125	a	3,93	3,88	3,82
571-5747842-5	5747842-5	A	3	25	0.125	b	13,71	11,41	9,14

Receptacles

For quantities greater than listed, call for quote.

MOUSER STOCK NO.	TE Part No.	Fig.	Shell Size	No. of Positions	Post Length (in.)	Plating Code	Price Each		
							1	10	100
Without boardlocks, with threaded inserts									
571-5745781-4	5745781-4	B	1	9	0.125	a	1,93	1,83	1,66
571-5745781-3	5745781-3	B	1	9	0.125	b	3,23	2,95	2,49
571-5745782-4	5745782-4	B	2	15	0.125	a	3,07	2,42	2,03
571-5745783-4	5745783-4	B	3	25	0.125	a	3,83	2,79	2,30
571-5745783-3	5745783-3	B	3	25	0.125	b	4,58	3,80	3,40
571-5745784-4	5745784-4	B	4	37	0.125	a	8,30	7,49	6,17
Without boardlocks, with female screwlocks									
571-5745781-6	5745781-6	B	1	9	0.125	a	5,39	5,12	4,87
571-5745783-6	5745783-6	B	3	25	0.125	a	4,54	4,47	4,41
571-5745783-5	5745783-5	B	3	25	0.125	b	4,23	3,53	2,81
With boardlocks & threaded inserts									
571-5747844-4	5747844-4	B	1	9	0.125	a	2,70	1,94	1,87
571-5747844-3	5747844-3	B	1	9	0.125	b	3,76	3,57	3,39
571-5747845-4	5747845-4	B	2	15	0.125	a	5,45	4,49	4,23
571-5747845-3	5747845-3	B	2	15	0.125	b	4,65	3,87	3,10
571-5747846-4	5747846-4	B	3	25	0.125	a	4,21	3,61	2,93
571-5747847-4	5747847-4	B	4	37	0.125	a	4,16	4,01	3,93
With boardlocks & female screwlocks									
571-5747844-5	5747844-5	B	1	9	0.125	b	1,63	1,45	1,15
571-5747845-6	5747845-6	B	2	15	0.125	a	4,84	4,50	3,17
571-5747845-5	5747845-5	B	2	15	0.125	b	4,34	3,61	2,88
571-5747846-6	5747846-6	B	3	25	0.125	a	3,99	3,01	2,78
571-5747846-5	5747846-5	B	3	25	0.125	b	2,71	2,57	2,44
571-5747847-6	5747847-6	B	4	37	0.125	a	5,45	4,90	4,41

HD-20 SERIES RIGHT ANGLE CONNECTORS, FULL METAL SHELL

- Shell: Steel, tin plated
- Contacts: Pins - brass, sockets - phosphor bronze
- .545 PCB footprint
- Insert: UL 94V-0 black thermoplastic
- Contact Plating: (a) Gold on mating end, tin on termination end, nickel underplated
(b) Gold flash on mating end, tin on termination end, nickel underplated



RoHS Compliant

Plugs with Standard Mounting Screws

For quantities greater than listed, call for quote.

MOUSER STOCK NO.	TE Part No.	Fig.	Shell Size	No. of Positions	Post Length (in.)	Plating Code	Price Each		
							1	10	100
571-5745351-4	5745351-4	C	1	9	0.125	a	15,65	14,09	11,28
571-5745355-4	5745355-4	C	5	50	0.125	a	32,26	26,68	23,79

Receptacles with Standard Mounting Screws

For quantities greater than listed, call for quote.

MOUSER STOCK NO.	TE Part No.	Fig.	Shell Size	No. of Positions	Post Length (in.)	Plating Code	Price Each		
							1	10	100
571-5745112-2	5745112-2	D	1	9	0.125	a	16,83	15,23	12,82
571-5745114-2	5745114-2	D	3	25	0.125	a	27,22	22,67	18,14
571-5745116-2	5745116-2	D	5	50	0.125	a	45,33	42,39	32,26

HD-20 SERIES RIGHT ANGLE CONNECTORS, PLASTIC SHELL

- Shell: Steel, tin plated
- Contacts: Pins - brass, sockets - phosphor bronze
- Shell and housing: UL 94V-0 black thermoplastic
- Standard mounting holes
- .590 PCB footprint
- Contact Plating: (a) Gold on mating end, tin on termination end, nickel underplated
(b) Gold flash on mating end, tin on termination end, nickel underplated



RoHS Compliant

Plugs Without Boardlocks

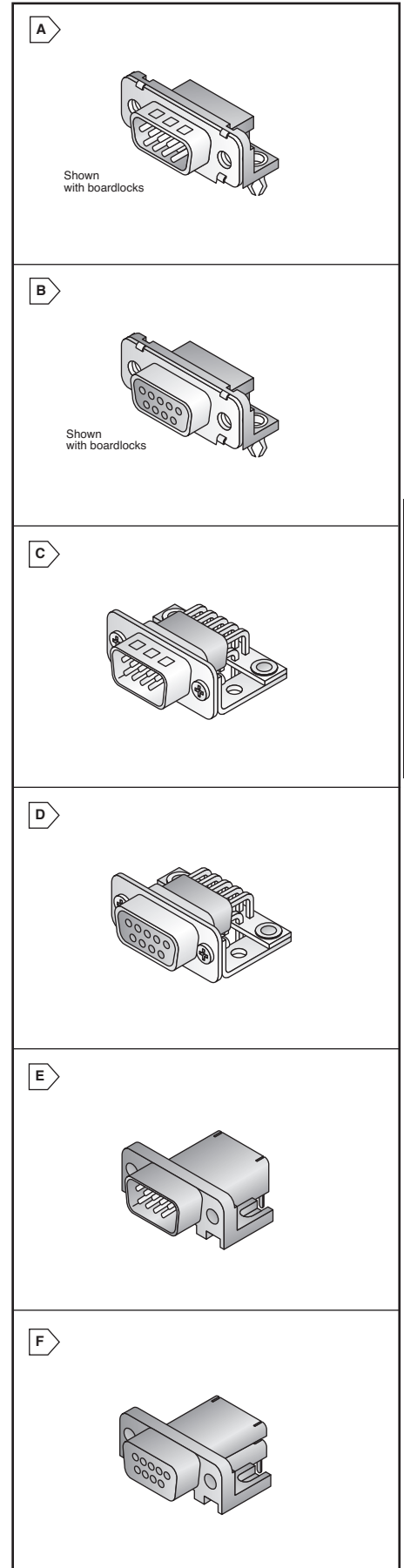
For quantities greater than listed, call for quote.

MOUSER STOCK NO.	TE Part No.	Fig.	Shell Size	No. of Positions	Post Length (in.)	Plating Code	Price Each		
							1	10	100
571-5747468-2	5747468-2	E	2	15	0.125	a	8,38	7,58	6,22
571-5748826-2	5748826-2	E	3	25	0.125	b	6,90	6,57	6,35

Receptacles Without Boardlocks

For quantities greater than listed, call for quote.

MOUSER STOCK NO.	TE Part No.	Fig.	Shell Size	No. of Positions	Post Length (in.)	Plating Code	Price Each		
							1	10	100
571-5748826-2	5748826-2	F	1	9	0.125	b	6,90	6,57	6,35
571-5747461-1	5747461-1	F	3	25	0.125	b	4,26	3,88	3,25



"D" Connectors

TE Connectivity

TE D-Subminiature Connectors

RoHS Compliant This product is RoHS compliant.

HD-20 SOLDER CUP CONNECTORS

- Contacts: Phosphor bronze, with gold flash on mating end, tin on solder cup, all nickel underplating
- Shell: Tin plated
- Insert: UL 94V-0 thermoplastic, black

RoHS Compliant

For quantities greater than listed, call for quote.

MOUSER STOCK NO.	TE Part No.	Fig.	Shell Size	No. of Positions	Price Each		
					1	10	100
Plugs							
571-5-747904-2	5-747904-2	A	1	9	1,53	1,50	1,49
571-5-747908-2	5-747908-2	A	2	15	3,25	3,19	3,15
571-5-747912-2	5-747912-2	A	3	25	3,15	2,99	2,84
571-5-747916-2	5-747916-2	A	4	37	6,16	6,14	5,85
Receptacles							
571-5-747905-2	5-747905-2	B	1	9	3,00	2,92	2,88
571-5-747909-2	5-747909-2	B	2	15	4,28	3,80	3,11
571-5-747913-2	5-747913-2	B	3	25	4,80	4,78	4,42
571-5-747917-2	5-747917-2	B	4	37	7,23	7,03	6,83

HDE-20 IDC CONNECTORS, METAL SHELL (For Discrete Wire)

- Wire size: 26-22 AWG
- Shell: Steel, tin-plated
- Insert: UL94V-0 black thermoplastic
- Contacts: Phosphor bronze
- Plating: 30µ" gold on mating end, tin on termination end, all nickel underplated

RoHS Compliant

For quantities greater than listed, call for quote.

MOUSER STOCK NO.	TE Part No.	Fig.	Shell Size	No. of Positions	Price Each		
					1	10	100
Plugs							
571-1-745492-8	1-745492-8	C	1	9	3,40	3,11	3,05
571-1-745494-5	1-745494-5	C	2	15	3,54	3,29	3,22
571-1-745496-7	1-745496-7	C	3	25	4,73	4,59	4,31
Receptacles							
571-1-745491-7	1-745491-7	D	1	9	3,14	2,94	2,17
571-1-745493-4	1-745493-4	D	2	15	4,15	3,99	3,21
571-1-745495-8	1-745495-8	D	3	25	4,97	4,62	4,44

HDF-20 SERIES (For Flat Ribbon Cable)

Low Profile, All Plastic Connectors

- Shell, housing, & cover: UL 94V-0 black thermoplastic
- Plating: gold on mating end, tin on solder end, all over nickel underplated
- Contacts: phosphor-bronze
- Standard mounting holes

RoHS Compliant

For quantities greater than listed, call for quote.

MOUSER STOCK NO.	TE Part No.	Fig.	Shell Size	No. of Positions	Price Each		
					1	10	100
Plugs							
571-1658615-4	1658615-4	E	1	9	3,99	3,61	3,34
571-1658615-3	1658615-3	E	2	15	4,86	4,62	3,89
571-1658615-2	1658615-2	E	3	25	7,11	5,58	4,50
571-1658615-1	1658615-1	E	4	37	8,90	7,71	5,99
Receptacles							
571-1658614-4	1658614-4	F	1	9	4,81	4,48	4,19
571-1658614-3	1658614-3	F	2	15	5,50	5,12	4,72
571-1658614-2	1658614-2	F	3	25	7,29	6,77	6,29
571-1658614-1	1658614-1	F	4	37	10,07	9,39	8,68

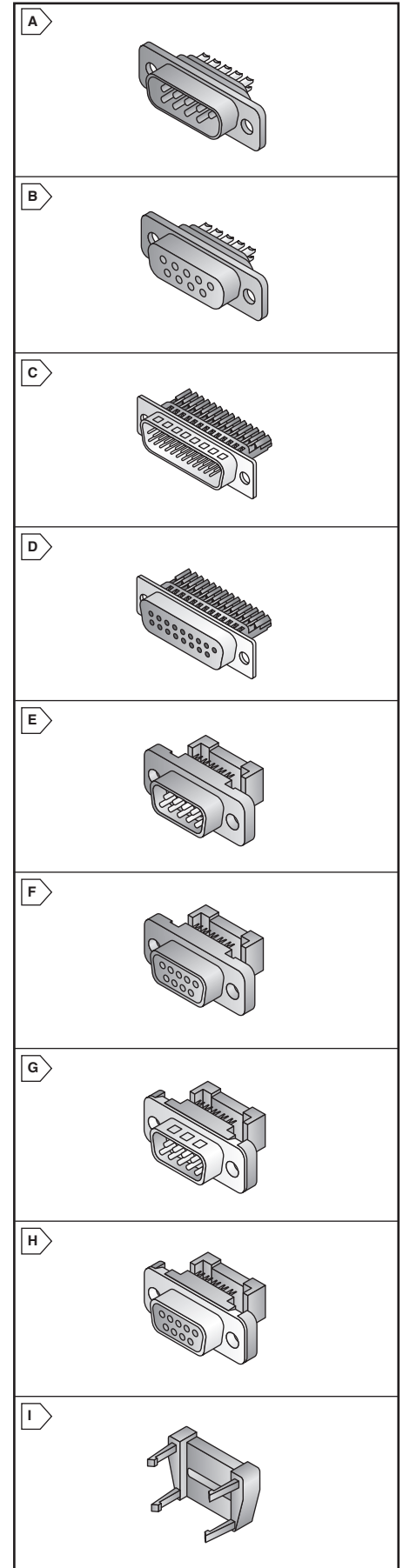
Low Profile Connectors, Metal Shell

- Housing, cover, and cable stabilizer: UL 94V-0 black thermoplastic
- Shell: steel, tin plated

RoHS Compliant

For quantities greater than listed, call for quote.

MOUSER STOCK NO.	TE Part No.	Fig.	Shell Size	No. of Positions	Price Each		
					1	10	100
Plugs - With Standard Mounting Holes							
571-1658613-4	1658613-4	G	1	9	4,23	4,03	3,26
571-1658613-3	1658613-3	G	2	15	5,12	4,45	3,72
571-1658613-2	1658613-2	G	3	25	6,33	5,54	4,63
571-1658613-1	1658613-1	G	4	37	8,98	8,49	6,20
Receptacles - With Standard Mounting Holes							
571-1658612-4	1658612-4	H	1	9	4,55	3,93	3,28
571-1658612-3	1658612-3	H	2	15	5,08	4,73	3,67
571-1658612-2	1658612-2	H	3	25	8,03	6,22	5,20
571-1658612-1	1658612-1	H	4	37	10,02	8,32	6,12
Plugs - With 4-40 Threaded Insert							
571-1658608-4	1658608-4	G	1	9	8,23	7,41	6,25
571-1658608-3	1658608-3	G	2	15	5,01	4,35	4,25
571-1658608-2	1658608-2	G	3	25	9,55	8,22	7,35
571-1658608-1	1658608-1	G	4	37	11,42	10,95	10,30
571-1658607-1	1658607-1	G	5	50	21,11	17,96	17,38
Receptacle - With 4-40 Threaded Insert							
571-1658610-4	1658610-4	H	1	9	7,24	6,58	6,25
571-1658610-3	1658610-3	H	2	15	7,90	7,32	7,13
571-1658610-2	1658610-2	H	3	25	9,55	8,22	7,35
571-1658610-1	1658610-1	H	4	37	11,42	10,85	10,30
571-1658606-1	1658606-1	H	5	50	18,65	15,87	15,36
Cable Stabilizers							
571-7472754	747275-4	I	1	9	0,51	0,249	0,211
571-7472753	747275-3	I	2	15	0,59	0,44	0,37
571-7472752	747275-2	I	3	25	0,40	0,353	0,309
571-747275-1	747275-1	I	4	37	0,78	0,51	0,49
571-7467851	746785-1	I	5	50	2,33	1,72	1,47



TE Connectivity "D" Connectors

TE D-Subminiature Connectors

RoHS compliant This product is RoHS compliant.

HDP-20, CRIMP SNAP-IN CONTACT CONNECTORS

- Insert: UL 94V-0 thermoplastic, black
- Shell: zinc or tin plated



RoHS Compliant

For quantities greater than listed, call for quote.

MOUSER STOCK NO.	TE Part No.	Fig.	Shell Size	No. of Positions	Price Each		
					1	10	100
Plugs, Zinc Plating Shells							
571-205204-9	205204-9	A	1	9	0,88	0,81	0,68
571-205206-9	205206-9	A	2	15	1,55	1,32	1,16
571-5205208-1	5205208-1	A	3	25	1,38	1,23	1,03
571-205210-8	205210-8	A	4	37	1,80	1,68	1,60
571-1658641-3	1658641-3	A	5	50	4,08	3,81	3,05
Plugs, Tin Plated Shells, Without Grounding Indents							
571-205204-8	205204-8	A	1	9	1,33	1,22	0,984
571-205206-8	205206-8	A	2	15	1,56	1,31	1,18
571-207464-7	207464-7	A	3	25	1,01	0,90	0,88
Plugs, Tin Plated Shells, With Grounding Indents							
571-2052044	205204-4	B	1	9	1,10	0,95	0,85
571-2052063	205206-3	B	2	15	1,16	1,06	1,00
571-2074642	207464-2	B	3	25	1,25	1,22	0,88
571-2052103	205210-3	B	4	37	2,48	2,38	2,29
571-1658641-2	1658641-2	B	5	50	3,46	2,88	2,30
Receptacle, Zinc Plating Shells							
571-205203-8	205203-8	C	1	9	0,60	0,54	0,51
571-205205-7	205205-7	C	2	15	1,07	1,02	0,83
571-5205207-1	5205207-1	C	3	25	0,95	0,82	0,69
571-205209-7	205209-7	C	4	37	1,58	1,40	1,28
571-1658640-2	1658640-2	C	5	50	4,42	3,73	2,99
Receptacle, Tin Plating Shells							
571-2052033	205203-3	C	1	9	1,08	1,03	0,81
571-2052052	205205-2	C	2	15	1,07	1,02	0,87
571-2074631	207463-1	C	3	25	1,03	0,99	0,96
571-2052092	205209-2	C	4	37	1,85	1,75	1,68
571-1658640-1	1658640-1	C	5	50	2,88	2,58	2,05

CRIMP, SNAP-IN CONTACTS - SIZE 20 DF

- Use with HDP series

Plating:

- Gold flash over nickel on entire contact
- Select gold flash over nickel on entire contact, with additional .000030 [0.00076] gold on mating end
- Duplex plated .000030 [0.00076] gold on mating end, tin on termination end, with entire contact nickel underplated
- Duplex plated gold flash on mating end, tin on termination end, with entire contact nickel underplated



RoHS Compliant

Use insertion/extraction tool 571-912851; Crimp Tool 571-584482

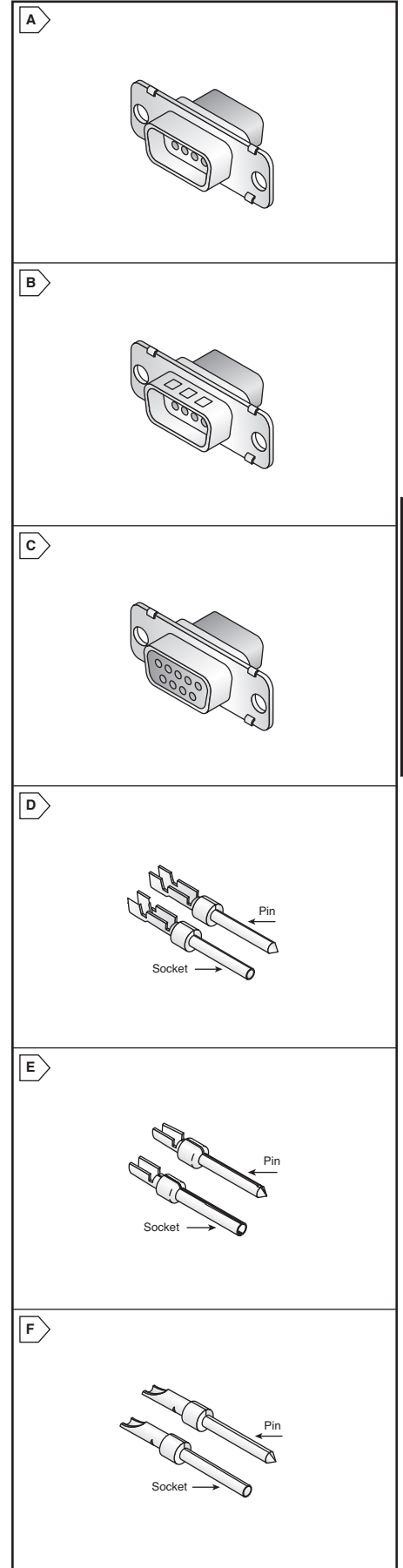
For quantities greater than listed, call for quote.

MOUSER STOCK NO.	TE Part No.	Fig.	Wire Size	Plating Code	Price Each		
					1	10	100
Pins - (For Use with Plugs)							
571-1665070	1-66507-0	D	28-24	a	0,17	0,16	0,128
571-666824	66682-4	D	28-24	b	0,21	0,19	0,17
571-7452547	745254-7	D	26-22	a	0,25	0,24	0,234
571-7452546	745254-6	D	26-22	b	0,18	0,17	0,166
571-1658544-1	1658544-1	D	26-22	c	0,24	0,22	0,21
571-1665060	1-66506-0	D	24-20	a	0,14	0,13	0,112
571-2052027	205202-7	E	24-20	a	0,47	0,393	0,377
571-1658539-4	1658539-4	D	24-20	d	0,30	0,234	0,202
571-665069	66506-9	D	24-20	b	0,29	0,20	0,18
571-1658539-3	1658539-3	D	24-20	c	0,25	0,22	0,19
571-7452294	745229-4	E	22-18	b	0,28	0,25	0,22
571-665703	66570-3	F	18 max.	b	0,26	0,205	0,205
Sockets - (For Use with Receptacles)							
571-1665050	1-66505-0	D	28-24	a	0,19	0,149	0,137
571-666834	66683-4	D	28-24	b	0,44	0,38	0,27
571-7452537	745253-7	D	26-22	a	0,37	0,342	0,275
571-7452536	745253-6	D	26-22	b	0,15	0,112	0,094
571-1658544-1	1658544-1	D	26-22	c	0,24	0,22	0,21
571-1665040	1-66504-0	D	24-20	a	0,15	0,12	0,113
571-2052017	205201-7	E	24-20	a	0,25	0,202	0,201
571-1658537-2	1658537-2	D	24-20	d	0,17	0,16	0,157
571-665049	66504-9	D	24-20	b	0,29	0,255	0,236
571-1658537-4	1658537-4	D	24-20	c	0,24	0,23	0,229
571-7452304	745230-4	E	22-18	b	0,29	0,267	0,254
571-665693	66569-3	F	18 max.	b	0,34	0,263	0,263

INSERTION / EXTRACTION TOOLS

For quantities greater than listed, call for quote.

MOUSER STOCK NO.	TE Part No.	Description	Price Each
571-912851	91285-1	Insertion / extraction tool w/6 tips and wrench	18,76
571-910672	91067-2	Insertion / extraction tool	7,06
571-912321	91232-1	Extraction tool	21,54
571-584482	58448-2	ProCrimper III Hand Tool	267,45



"D" Connectors

TE Connectivity

SERIES 109 CONNECTORS (FOR MIL-C-24308)

- Shell: steel, cadmium plated
- Standard mount



For quantities greater than listed, call for quote.

MOUSER STOCK NO.	TE Part No.	Fig.	Shell Size	No. of Positions	Price Each		
					1	10	100
Plugs							
571-1757819-1	1757819-1	A	1	9	5,62	5,33	5,07
571-1757819-2	1757819-2	A	2	15	9,10	8,64	8,21
571-1757819-3	1757819-3	A	3	25	6,40	6,08	5,77
571-1757819-4	1757819-4	A	4	37	12,64	12,00	11,40
Receptacles							
571-1757820-1	1757820-1	B	1	9	5,62	5,33	5,07
571-1757820-2	1757820-2	B	2	15	9,15	8,69	8,25
571-1757820-3	1757820-3	B	3	25	6,69	5,92	4,72
571-1757820-4	1757820-4	B	4	37	12,63	11,99	11,39

Connector Contacts for Series 109 Connectors

- Wire Size: 20-24 AWG

For quantities greater than listed, call for quote.

MOUSER STOCK NO.	TE Part No.	Fig.	Type	Price Each		
				1	100	1000
571-2050891	205089-1	C	Pin	0,51	0,39	0,34
571-2050901	205090-1	C	Socket	1,25	0,876	0,599

Tools

For quantities greater than listed, call for quote.

MOUSER STOCK NO.	TE Part No.	Description	Price Each
571-910672	91067-2	Insertion/Extraction Tool	7,06
571-6019665	601966-5	Positioner for Series 109	145,41
571-6019661	601966-1	Crimp Tool	664,19

HARDWARE AND ACCESSORIES

Male Screw Retainers Kits, Thread Size 4-40

Includes: male screw - retention clip - stainless steel

For quantities greater than listed, call for quote.

MOUSER STOCK NO.	TE Part No.	Fig.	Chromate Color	Price Each		
				1	10	100
For HDP-20, Metal Shell Connectors						
571-5205980-1	5205980-1	D	Yellow	0,62	0,57	0,555
571-5205980-4	5205980-4	D	Clear	0,67	0,59	0,47
For HDF-20, Metal-Shell and All-Plastic Connectors						
571-5746881-1	5746881-1	E	Yellow	1,73	1,56	1,25

Female Screw Lock Kits, Thread Size 4-40

Includes two complete sets of: female screw, two flat washers, lock washer, and hex nut or square nut. Material and finish for all parts: cold rolled steel, zinc plated clear or yellow chromate.

For quantities greater than listed, call for quote.

MOUSER STOCK NO.	TE Part No.	Fig.	Chromate Color	Price Each		
				1	10	100
For HD-20 Right Angle Connectors, Plastic Shell						
571-5207952-1	5207952-1	F	Yellow	2,16	2,04	1,95
571-5207952-3	5207952-3	F	Clear	1,90	1,71	1,41
For HDE Connectors, Metal/All Plastic Shell						
571-5745563-1	5745563-1	G	Yellow	0,83	0,81	0,78
571-5745563-3	5745563-3	G	Clear	1,22	1,11	0,94
For HDP/HDF Connectors, Metal Shell/All Plastic						
571-5205817-1	5205817-1	G	Yellow	0,76	0,73	0,70
571-5205817-3	5205817-3	G	Clear	1,27	1,14	0,92
For HD Connectors, All Plastic with Integral Standoffs						
571-5207719-1	5207719-1	G	Yellow	1,82	1,69	1,54
571-5207719-3	5207719-3	G	Clear	1,58	1,40	1,12

Standard Spring Latch

Includes: two stainless steel spring latches

- For shell size 1-4

For quantities greater than listed, call for quote.

MOUSER STOCK NO.	TE Part No.	Fig.	Price Per Pkg. of 2		
			1	10	100
571-745779-2	745779-2	H	1,14	1,11	1,07

Locking Post Assembly Kit

Includes two complete assemblies of: 4-40 post, two flat washers, lock washer, and hex nut. Material for all parts: cold rolled steel, zinc plated yellow chromate.

For quantities greater than listed, call for quote.

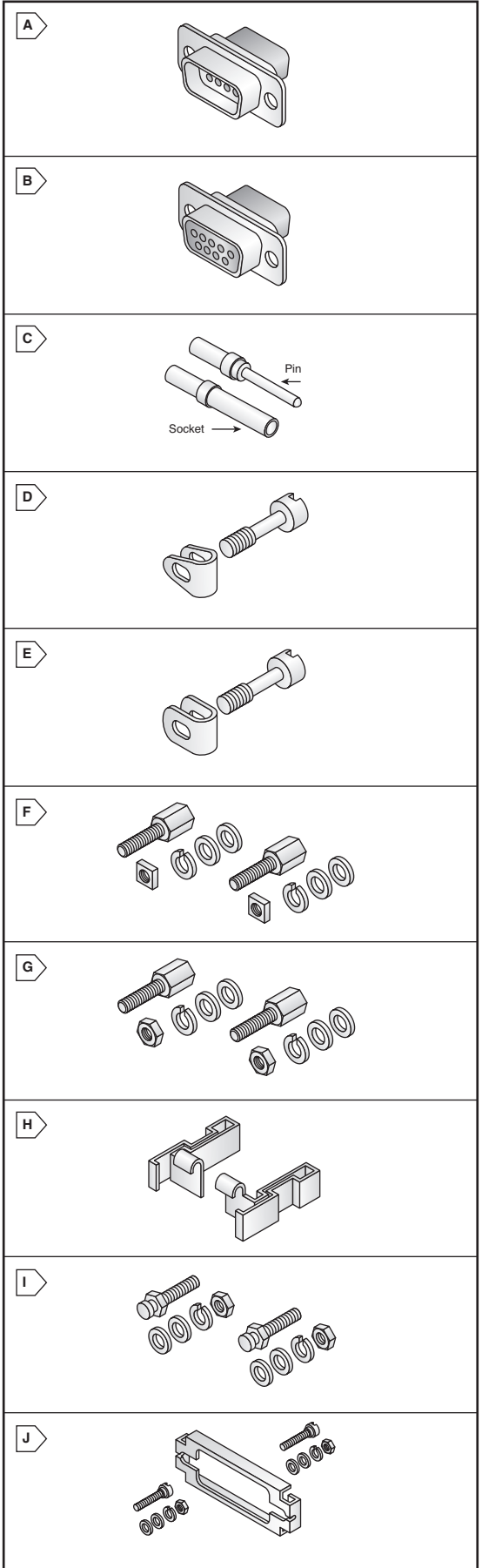
MOUSER STOCK NO.	TE Part No.	Fig.	Price Per Pkg. of 2		
			1	10	100
571-5206514-1	5206514-1	I	2,21	2,14	2,07

Slide Latch Kit for Use with Shell Size 2

Includes: slide latch - steel and two complete assemblies of screw, two washers, and hex nut - steel, zinc plated yellow chromate.

For quantities greater than listed, call for quote.

MOUSER STOCK NO.	TE Part No.	Fig.	Price Per Pkg. of 2		
			1	10	100
571-5745583-5	5745583-5	J	2,92	2,77	2,46



TE Connectivity "D" Connectors

TE D-Sub Backshell Kits

RoHS Compliant This product is RoHS compliant.

UNSHIELDED CABLE CLAMP KITS

These cable clamp assemblies can be used on either a plug or socket. All parts are packaged unassembled.

- Use with HDP metal shell
- Each kit includes: 1 hinged plastic clamp, 2 self-tapping screws, 1 strain-relief clip, 1 cable exit gate plug



Box and Lid, Straight / 90° Exit, Black Thermoplastic

For quantities greater than listed, call for quote.

MOUSER STOCK NO.	TE Part No.	Fig.	Shell Size	Cable O.D. (max.)	Price Each		
					1	10	100
571-2074671	207467-1	A	1	.25"	1,57	1,49	1,45
571-2074701	207470-1	A	2	.325"	6,85	5,70	4,56
571-2073451	207345-1	B	3	.50"	2,51	2,41	2,30
571-2074731	207473-1	B	4	.675"	3,31	3,20	3,10

Box and Lid, Straight / 90° Exit w/ Male Screw Retainers

For quantities greater than listed, call for quote.

MOUSER STOCK NO.	TE Part No.	Fig.	Shell Size	Cable O.D. (max.)	Price Each		
					1	10	100
571-5207908-1	5207908-1	A	1	.25"	2,43	2,20	1,84
571-5207908-4	5207908-4	A	2	.325"	3,79	3,43	2,86
571-5207908-7	5207908-7	B	3	.50"	3,11	2,95	2,81
571-1-5207908-0	1-5207908-0	B	4	.675"	4,10	4,03	3,94

Clam Shell, Straight / 45° Exit, Black Thermoplastic

For quantities greater than listed, call for quote.

MOUSER STOCK NO.	TE Part No.	Fig.	Shell Size	Cable O.D. (max.)	Price Each		
					1	10	100
571-5205729-1	5205729-1	C	1	.256"	2,97	2,48	2,31
571-5205730-1	5205730-1	C	2	.320"	2,70	2,67	2,64
571-5205718-1	5205718-1	C	3	.420"	1,69	1,66	1,63
571-5205731-1	5205731-1	C	4	.490"	4,30	4,08	3,88

2 Piece Gray Nylon Housing

For quantities greater than listed, call for quote.

MOUSER STOCK NO.	TE Part No.	Fig.	Shell Size	Cable O.D. (max.)	Price Each		
					1	10	100
571-5206471-1	5206471-1	D	2	.350"	3,45	3,13	2,50
571-5206472-1	5206472-1	D	3	.335"	3,00	2,82	2,62
571-5745081-1	5745081-1	D	4	.675"	3,08	2,97	2,86
571-5745082-1	5745082-1	D	5	.775"	3,90	3,55	3,00

†90° Cable O.D.: .50" max.

STRAIGHT EXIT RF/EMI SHIELDS FOR JACKETED CABLE

- Metal-plated plastic shield: Thermoplastic, plated nickel over copper
- Die cast shield: Zinc alloy, plated bright nickel over bright copper



Metal Plated Plastic Shield Kits

For quantities greater than listed, call for quote.

MOUSER STOCK NO.	TE Part No.	Fig.	Shell Size	Cable O.D. (max.)	Price Each		
					1	10	100
571-5745854-3	5745854-3	E	1	.25"	5,31	4,41	3,53
571-5745854-1	5745854-1	E	1	.37"	3,96	3,56	2,99
571-5747099-3	5747099-3	E	2	.38"	5,56	4,23	3,87
571-5745833-7	5745833-7	E	3	.35"	7,09	6,31	5,16
571-5745833-5	5745833-5	E	3	.43"	4,02	3,61	2,95

Die Cast Shield Kits

For quantities greater than listed, call for quote.

MOUSER STOCK NO.	TE Part No.	Fig.	Shell Size	Cable O.D. (max.)	Price Each		
					1	10	100
571-5745171-1	5745171-1	E	1	.25"	5,26	5,00	4,75
571-5745172-2	5745172-2	E	2	.30"	6,98	6,63	6,30
571-5745173-3	5745173-3	E	3	.43"	11,77	9,79	7,84
571-5745174-4	5745174-4	E	4	.43"	6,73	6,09	5,12
571-5745174-3	5745174-3	E	4	.50"	6,69	6,07	5,11
571-5745175-1	5745175-1	E	5	.75"	8,32	7,14	5,78

Die Cast Shield Kits with Grommets

For quantities greater than listed, call for quote.

MOUSER STOCK NO.	TE Part No.	Fig.	Shell Size	Cable O.D. (max.)	Price Each		
					1	10	100
571-5748676-1	5748676-1	E	1	.32"	4,79	4,77	4,46
571-5748676-2	5748676-2	E	2	.32"	4,17	4,05	3,97
571-5748676-3	5748676-3	E	3	.47"	9,16	8,85	8,70
571-5748676-4	5748676-4	E	4	.47"	13,31	13,01	12,76
571-5748676-5	5748676-5	E	5	.47"	11,26	11,21	9,85

HDP-20, ENCLOSURE KITS

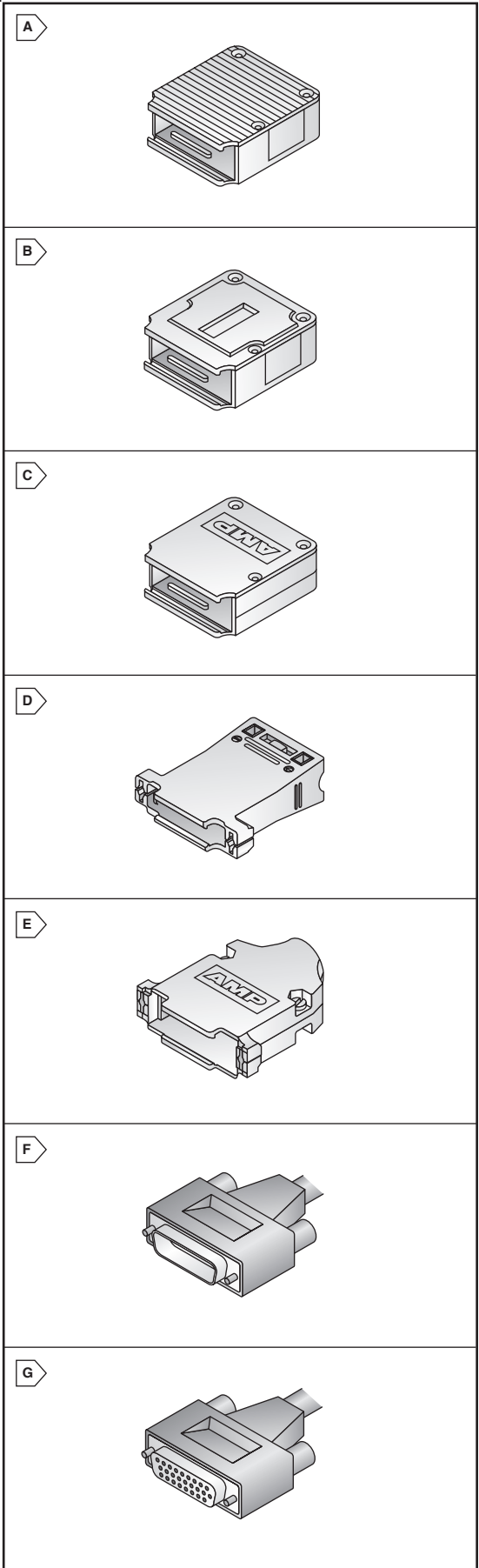
Each kit contains: connector, inner shield, outer shield, enclosure, and two jackscrews. Contacts and Ferrules must be ordered separately.

- Connector shell and shields: steel, tin plated
- Enclosure: PVC
- Connector insert: UL 94V-0 black thermoplastic



For quantities greater than listed, call for quote.

MOUSER STOCK NO.	TE Part No.	Fig.	Shell Size	No. of Postions	Cable O.D. (max.)	Price Each		
						1	10	100
Plug Kits								
571-1658655-1	1658655-1	F	1	9	.335"	5,65	5,40	5,33
571-1658659-1	1658659-1	F	3	25	.455"	7,76	6,16	6,03
Receptacle Kits								
571-1658654-1	1658654-1	G	1	9	.335"	9,01	8,02	6,71
571-1658658-1	1658658-1	G	3	25	.455"	6,84	6,31	5,94



"D" Connectors

TE Connectivity

CHAMP® SHIELDED CONNECTORS

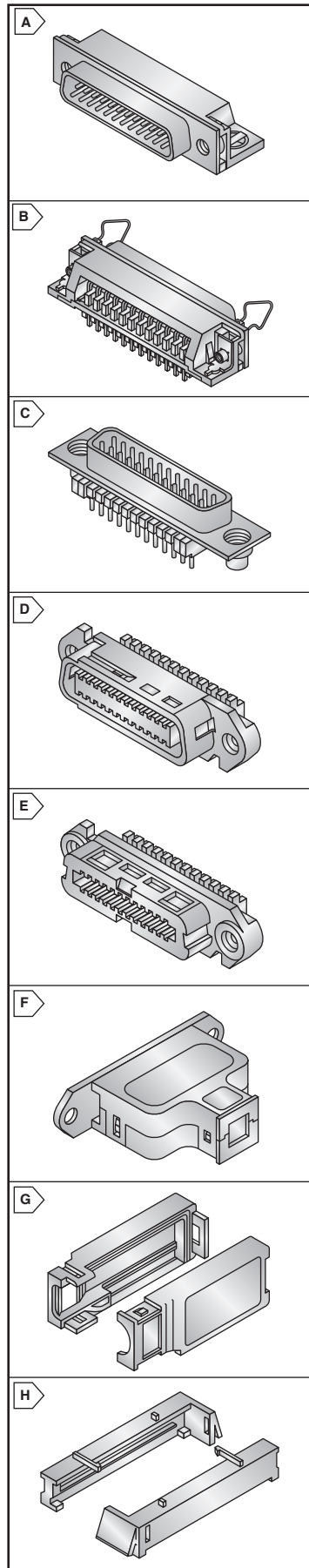
Specifications:

- Excellent protection from electromagnetic interference or electrostatic discharge
- Terminals: Selectively plated gold over nickel plated high strength copper alloy, tin plated tails
- Housing and Cover Materials: Thermoplastic, black

For quantities greater than listed, call for quote.

MOUSER STOCK NO.	TE Part No.	Fig.	No. of Pos.	Description	Hardware Type	Price Each			
						1	25	50	100
Right Angle, Preassembled									
571-5553811-1	5553811-1	A	24	Receptacle, 6-32 Thread Standard	Screw Lock	9,29	8,83	8,39	7,97
571-5553813-3	5553813-3	A	50	Receptacle, 4-40 Thread Standard	Screw Lock	7,86	7,47	7,10	6,74
571-5553813-4	5553813-4	A	50	Receptacle, 4-40 Thread Reverse	Screw Lock	9,99	7,99	7,46	6,39
Right Angle, Board Lock Grounding									
571-5554923-2	5554923-2	B	24	Receptacle, 6-32 Thread Standard	Screw Lock	11,92	9,62	9,43	7,69
571-5554923-1	5554923-1	B	24	Receptacle, 6-32 Thread Reverse	Screw Lock	11,90	9,52	8,48	7,61
571-5555119-1	5555119-1	B	36	Receptacle, 4-40 Thread	Bail Lock	12,67	10,12	9,05	8,09
571-5555057-1	5555057-1	B	50	Receptacle, 4-40 Thread	Bail Lock	12,27	9,81	9,03	7,85
* 571-5557932-2	5557932-2	B	50	Receptacle, 4-40 Thread	Screw Lock	13,37	12,55	11,80	10,32
* 571-5555149-1	5555149-1	B	50	Receptacle, 4-40 Thread Standard	Bail Lock	9,35	8,89	8,44	8,02
571-5555149-3	5555149-3	B	50	Receptacle, 4-40 Thread Reverse	Bail Lock	14,42	13,47	11,97	10,77
Vertical Mount									
571-5554217-4	5554217-4	C	50	Receptacle, 4-40 Thread	- - -	16,12	12,90	11,82	10,30
Hardware									
571-5540432	554043-2	-	-	Vertical Mount Standoff Stud (2 req.)	-	5,24	4,46	4,03	3,57

* IBM PC AT and PC XT Compatible



CHAMP® IDC CONNECTORS

Specifications:

- Terminals: High strength copper alloy with 30µ gold over 50µ nickel
- Housing: Self-extinguishing thermoplastic
- Optional snap-on strain relief covers

For quantities greater than listed, call for quote.

MOUSER STOCK NO.	TE Part No.	Fig.	No. of Pos.	Description	Hardware Type	Price Each			
						1	25	50	100
24-26 AWG Solid, AWG Stranded									
571-5522831	552283-1	D	24	Plug	Screw Lock	4,08	3,87	3,68	3,49
571-552313-1	552313-1	E	24	Receptacle	Screw/Bail Lock	4,72	4,49	4,26	4,05
571-5522841	552284-1	D	36	Plug	Screw Lock	3,24	3,08	2,93	2,78
571-5523141	552314-1	E	36	Receptacle	Screw/Bail Lock	7,95	7,55	7,17	6,81
571-2299741	229974-1	D	50	Plug, thick flange	Screw Lock	5,75	5,75	5,75	5,75
571-2299751	229975-1	E	50	Receptacle, thick flange	Screw/Bail Lock	6,73	6,73	6,73	6,73
571-5520321	552032-1	D	50	Plug	Bail Lock	1,91	1,82	1,73	1,64
571-552285-1	552285-1	D	64	Plug	Screw Lock	4,38	4,16	3,95	3,76
571-552315-1	552315-1	E	64	Receptacle	Screw/Bail Lock	5,42	5,15	4,89	4,65
26-28 AWG, Stranded									
571-5523901	552390-1	D	50	Plug, thick flange	Screw Lock	2,77	2,63	2,50	2,37
571-5523911	552391-1	E	50	Receptacle, thick flange	Screw Lock	3,81	3,30	2,88	2,64
Integral Locking Latches									
571-5553921-1	5553921-1	E	50	Receptacle	Screw Lock	4,08	3,87	3,77	3,35
571-5554381-2	5554381-2	E	64	Receptacle	Screw Lock	7,39	5,92	5,79	4,70
Hardware									
571-5552568-1	5552568-1	-	-	Screw Lock Kit	-	2,90	2,74	2,62	2,49
571-5552567-1	5552567-1	-	-	Bail Lock Kit	-	3,00	2,85	2,70	2,57
* 571-5552567-2	5552567-2	-	-	Bent Bail Lock Kit	-	5,39	4,93	4,46	4,08

* For use with 90° strain relief cover - one kit required per assembly

Strain Reliefs

For quantities greater than listed, call for quote.

MOUSER STOCK NO.	TE Part No.	Fig.	No. of Pos.	Cable Diameter Inch (mm)	Price Each			
					1	25	50	100
180° Snap-On								
571-5520761	552076-1	F	24	.230 - .280 (5.84 - 7.11)	1,56	1,48	1,41	1,34
571-25520761	2-552076-1	F	24	.320 - .380 (8.13 - 9.65)	2,41	2,29	2,18	2,07
571-5520735	552073-5	F	36	.360 - .430 (9.14 - 10.92)	2,45	1,94	1,93	1,55
571-25520081	2-552008-1	F	50	.380 - .430 (9.65 - 10.92)	1,75	1,67	1,58	1,50
571-5520081	552008-1	F	50	.430 - .490 (10.92 - 12.45)	1,64	1,56	1,48	1,41
571-552082-1	552082-1	F	64	.480 - .540 (12.19 - 13.72)	2,51	2,39	2,27	2,15
90° Snap-On								
571-552413-1	552413-1	G	24	.250 - .300 (6.35 - 7.62)	1,28	1,21	1,15	1,09
571-35524141	3-552414-1	G	36	.330 - .380 (8.38 - 9.65)	3,03	2,42	2,22	1,93
571-15520111	1-552011-1	G	50	.315 - .415 (8.00 - 10.54)	0,84	0,80	0,761	0,723
571-552011-1	552011-1	G	50	.415 - .465 (10.54 - 11.81)	0,92	0,86	0,797	0,681
571-5527311	552731-1	G	50	.475 - .540 (12.07 - 13.72)	1,16	1,11	1,05	1,00
571-5524961	552496-1	G	64	.410 - .475 (10.41 - 12.07)	1,62	1,50	1,35	1,25
571-5524961	2-552496-1	G	64	.540 - .605 (13.72 - 15.37)	1,73	1,64	1,56	1,48
Snap-On (2 required per assembly)								
571-15520271	1-552027-1	H	50	-----	0,47	0,38	0,347	0,304
571-1-552296-1	1-552296-1	H	64	-----	0,86	0,68	0,618	0,551

FIXED PRECISION-FORMED SOLDER CUP CONTACTS

Materials:

- Shells: Steel, tin plated
- Contact: Brass
- Contact Plating: Gold



For quantities greater than listed, call for quote.

MOUSER STOCK NO.	Amphenol Part No.	Fig.	No. of Positions	Current Rating	Voltage Rating	Type	Price Each			
							1	10	50	100
523-L717SDE09P	L717SDE09P	A	9	5A	300V	Male	0,60	0,528	0,482	0,436
523-L77SDE09S	L77SDE09S	A	9	5A	300V	Female	0,69	0,607	0,552	0,494
523-L717SDA15P	L717SDA15P	A	15	5A	300V	Male	0,99	0,898	0,813	0,707
523-L77SDA15S	L77SDA15S	A	15	5A	300V	Female	0,89	0,783	0,742	0,665
523-L717SDB25P	L717SDB25P	A	25	5A	300V	Male	0,85	0,757	0,687	0,61
523-L77SDB25S	L77SDB25S	A	25	5A	300V	Female	0,81	0,722	0,658	0,581
523-L717SDC37P	L717SDC37P	A	37	5A	300V	Male	1,42	1,28	1,17	1,06
523-L77SDC37S	L77SDC37S	A	37	5A	300V	Female	1,51	1,37	1,24	1,14
523-G17S0910110EU	G17S0910110EU	A	9	5A	300V	Male	0,51	0,493	0,397	0,361
523-G17S0900110EU	G17S0900110EU	A	9	5A	300V	Female	0,64	0,528	0,493	0,484
523-G17S1510110EU	G17S1510110EU	A	15	5A	300V	Male	0,68	0,546	0,528	0,502
523-G17S1500110EU	G17S1500110EU	A	15	5A	300V	Female	0,86	0,757	0,686	0,649
523-G17S2510110EU	G17S2510110EU	A	25	5A	300V	Male	0,93	0,827	0,774	0,716
523-G17S2500110EU	G17S2500110EU	A	25	5A	300V	Female	0,77	0,59	0,572	0,546
523-G17S3710110EU	G17S3710110EU	A	37	5A	300V	Male	1,94	1,59	1,47	1,38
523-G17S3700110EU	G17S3700110EU	A	37	5A	300V	Female	2,31	2,16	2,01	1,87
523-G17S5010110EU	G17S5010110EU	A	50	5A	300V	Male	2,28	2,05	1,89	1,73
523-G17S5000110EU	G17S5000110EU	A	50*	5A	300V	Female	2,56	2,16	2,00	1,83

* 50 Position D-Subs have 3 Rows of Contacts

FIXED MACHINED CONTACTS

Materials:

- Shells: Steel, tin plated
- Contact: Brass
- Contact Plating: Gold



Solder Cup

For quantities greater than listed, call for quote.

MOUSER STOCK NO.	Amphenol Part No.	Fig.	No. of Positions	Current Rating	Voltage Rating	Type	Price Each			
							1	10	50	100
523-L717-DE09P	L717-DE09P	A	9	7.5A	300V	Male	3,74	3,40	3,11	2,87
523-L77-DE09S	L77-DE09S	A	9	7.5A	300V	Female	4,78	4,34	3,99	3,68
523-L717-DA15P	L717-DA15P	A	15	7.5A	300V	Male	4,38	4,08	3,73	3,43
523-L77-DA15S	L77-DA15S	A	15	7.5A	300V	Female	6,74	5,70	4,92	4,41
523-L717-DB25P	L717-DB25P	A	25	7.5A	300V	Male	6,97	6,38	5,28	5,02
523-L77-DB25S	L77-DB25S	A	25	7.5A	300V	Female	8,45	7,68	7,04	6,49
523-L717-DC37P	L717-DC37P	A	37	7.5A	300V	Male	9,66	9,38	8,73	7,93
523-L77-DC37S	L77-DC37S	A	37	7.5A	300V	Female	11,67	10,78	9,67	9,24
523-L717-DD50P	L717-DD50P	A	50*	7.5A	300V	Male	12,36	11,42	10,25	9,57
523-L77-DD50S	L77-DD50S	A	50*	7.5A	300V	Female	16,28	15,81	15,06	14,32

* 50 Position D-Subs have 3 Rows of Contacts



PCB Mount

For quantities greater than listed, call for quote.

MOUSER STOCK NO.	Amphenol Part No.	Fig.	No. of Positions	Current Rating	Voltage Rating	Type	Price Each			
							1	10	50	100
523-L717-DE09P-U	L717-DE09P-U	B	9	7.5A	300V	Male	3,62	3,41	3,06	2,77
523-L77-DE09S-U	L77-DE09S-U	B	9	7.5A	300V	Female	3,91	3,69	3,46	3,19
523-L717-DA15P-U	L717-DA15P-U	B	15	7.5A	300V	Male	4,09	3,86	3,50	3,28
523-L77-DA15S-U	L77-DA15S-U	B	15	7.5A	300V	Female	5,75	5,25	4,66	4,16
523-L717-DB25P-U	L717-DB25P-U	B	25	7.5A	300V	Male	5,77	5,43	4,68	4,20
523-L77-DB25S-U	L77-DB25S-U	B	25	7.5A	300V	Female	7,82	7,74	6,64	5,90
523-L717-DC37P-U	L717-DC37P-U	B	37	7.5A	300V	Male	9,35	8,50	7,44	6,63
523-L77-DC37S-U	L77-DC37S-U	B	37	7.5A	300V	Female	10,13	9,56	9,00	8,40
523-L717-DD50P-U	L717-DD50P-U	B	50*	7.5A	300V	Male	10,86	10,23	9,95	9,67
523-L77-DD50S-U	L77-DD50S-U	B	50*	7.5A	300V	Female	13,57	12,80	12,50	12,10

* 50 Position D-Subs have 3 Rows of Contacts



Wire Wrap Termination

For quantities greater than listed, call for quote.

MOUSER STOCK NO.	Amphenol Part No.	Fig.	No. of Positions	Current Rating	Voltage Rating	Type	Price Each			
							1	10	50	100
523-L717-DE09P-F179	L717-DE09P-F179	C	9	7.5A	300V	Male	4,38	4,14	4,04	3,91
523-L77-DE09S-F179	L77-DE09S-F179	C	9	7.5A	300V	Female	5,10	4,80	4,66	4,48
523-L717-DA15P-F179	L717-DA15P-F179	C	15	7.5A	300V	Male	6,05	5,70	5,55	5,39
523-L77-DA15S-F179	L77-DA15S-F179	C	15	7.5A	300V	Female	6,81	6,42	6,27	6,07
523-L717-DB25P-F179	L717-DB25P-F179	C	25	7.5A	300V	Male	13,77	12,18	10,90	9,87
523-L77-DB25S-F179	L77-DB25S-F179	C	25	7.5A	300V	Female	10,50	9,90	9,67	9,35
523-L77DE09SF179A	L77DE09SF179A	C	9	7.5A	300V	Female	7,09	6,00	5,18	4,64

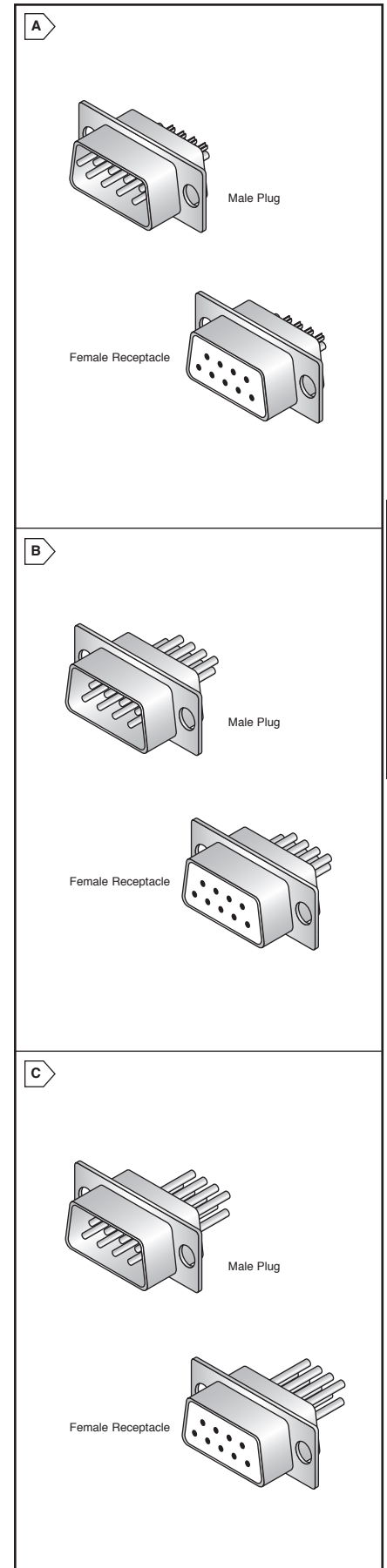
© Copyright 2012 Mouser Electronics

All Prices
In EURO

mouser.com/amphenol

EUsales@mouser.com

1229



"D" Connectors

Amphenol

© Copyright 2012 Mouser Electronics

AMPHENOL D-Subminiature Connectors **Amphenol**[®]



This product is RoHS compliant.

RIGHT ANGLE CONNECTORS (.318" FOOTPRINT)

Specifications:

- Temperature Range: -67°F to 221°F
- Voltage Rating: 300V
- Current Rating: 5A
- 4-40 Threaded Mounting Hole
- 30 microns Gold

For quantities greater than listed, call for quote.

MOUSER STOCK NO.	Amphenol Part No.	Fig.	No. of Positions	Type	Price Each			
					1	10	50	100
523-6E17-C009P-AJ121	6E17-C009P-AJ121	A	9	Male	3,37	3,02	2,78	2,49
523-6E17-C009S-AJ120	6E17-C009S-AJ120	A	9	Female	3,28	2,95	2,66	2,38
523-6E17-C025P-AJ121	6E17-C025P-AJ121	A	25	Male	5,86	4,95	4,44	3,87
523-6E17-C025S-AJ120	6E17-C025S-AJ120	A	25	Female	7,95	6,20	5,66	4,91
523-6E17C009SAJ220	6E17C009SAJ220	A	9	Female	3,25	2,94	2,68	2,47

HIGH DENSITY

Materials:

- Shells: Steel, tin plated
- Insulator: Black Thermoplastic, UL94V-0
- Contact: Brass
- Contact Plating: Gold Flash

For quantities greater than listed, call for quote.

MOUSER STOCK NO.	Amphenol Part No.	Fig.	No. of Positions	Type	Price Each			
					1	10	50	100
Right Angle								
523-17EBH-015SAM010	17EBH-015S-AM010	A	15	Female	5,68	4,70	3,91	3,53
Solder Cup								
523-17EHD-015P-AA000	17EHD-015P-AA000	B	15	Male	1,85	1,59	1,48	1,36
523-17EHD-015S-AA000	17EHD-015S-AA000	B	15	Female	1,54	1,40	1,19	1,06
523-17EHD-026P-AA000	17EHD-026P-AA000	B	26	Male	2,55	2,25	2,04	1,75
523-17EHD-026S-AA000	17EHD-026S-AA000	B	26	Female	2,03	1,85	1,68	1,55
523-17EHD-044P-AA000	17EHD-044P-AA000	B	44	Male	3,53	3,20	2,93	2,71
523-17EHD-044S-AA000	17EHD-044S-AA000	B	44	Female	3,53	3,20	2,93	2,71
523-17EHD-062P-AA000	17EHD-062P-AA000	B	62	Male	5,22	4,70	4,33	3,99
523-17EHD-078P-AA000	17EHD-078P-AA000	B	78	Male	4,21	3,79	3,47	3,19

DUST COVERS

For quantities greater than listed, call for quote.

MOUSER STOCK NO.	Amphenol Part No.	Fig.	No. of Pos.	Type	Price Each			
					1	10	50	100
523-L17D4K63010	L17D4K63010	C	9	Metal Dust Cap for Receptacles	1,03	0,88	0,747	0,672
523-L17D4K63016	L17D4K63016	C	15	Metal Dust Cap for Receptacles	0,85	0,774	0,707	0,643
523-L17D4K63026	L17D4K63026	C	25	Metal Dust Cap for Receptacles	1,06	0,95	0,847	0,758
523-L17D4K63110	L17D4K63110	C	9	Metal Dust Cap for Plugs	0,95	0,836	0,763	0,688
523-L17D4K63116	L17D4K63116	C	15	Metal Dust Cap for Plugs	1,06	0,924	0,827	0,746
523-L17D4K63126	L17D4K63126	C	25	Metal Dust Cap for Plugs	0,94	0,832	0,745	0,678

PLASTIC BACKSHELLS 2-PIECE DESIGN

Features:

- Fits most standard and high-density D-Subs
- Split Grommets

For quantities greater than listed, call for quote.

MOUSER STOCK NO.	Amphenol Part No.	Fig.	No. of Pos.	Type	Price Each			
					1	10	50	100
523-17E-1724-1	17E-1724-1	D	9	Plastic	2,14	1,91	1,79	1,63
523-17E-1725-1	17E-1725-1	D	15	Plastic	2,20	2,01	1,84	1,65
523-17E-1726-1	17E-1726-1	D	25	Plastic	2,17	1,95	1,77	1,63
523-17E-1727-1	17E-1727-1	D	37	Plastic	2,92	2,66	2,44	2,25
523-17E-1728-1	17E-1728-1	D	50	Plastic	2,76	2,50	2,31	2,15

PLATED PLASTIC BACKSHELLS 2-PIECE DESIGN

Features:

- Fits most standard and high-density D-Subs
- Meets FCC 20780 Requirements
- EMI/RFI shielding

For quantities greater than listed, call for quote.

MOUSER STOCK NO.	Amphenol Part No.	Fig.	No. of Pos.	Type	Price Each			
					1	10	50	100
523-17E-1724-2	17E-1724-2	D	9	Metalized	2,97	2,64	2,63	2,37
523-17E-1725-2	17E-1725-2	D	15	Metalized	3,27	2,97	2,73	2,53
523-17E-1726-2	17E-1726-2	D	25	Metalized	3,88	3,31	3,03	2,81
523-17E-1727-2	17E-1727-2	D	37	Metalized	6,02	5,46	4,82	4,31
523-17E-1728-2	17E-1728-2	D	50	Metalized	6,46	5,90	5,13	4,59

METAL BACKSHELLS 2-PIECE DESIGN

Features:

- Fits most standard and high-density D-Subs
- Meets FCC 20780 Requirements
- All metal shell provides EMI/RFI shielding and durability

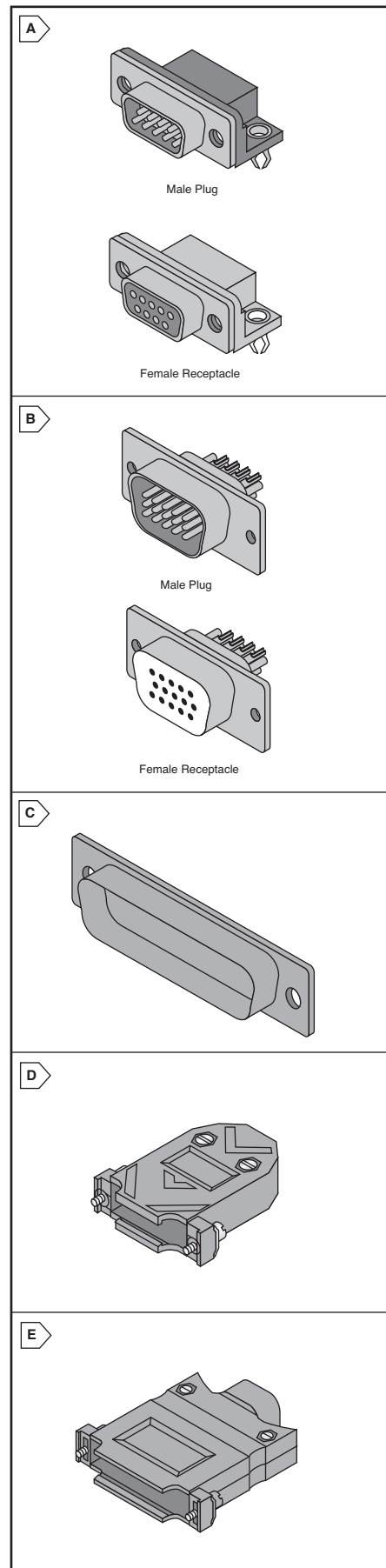
For quantities greater than listed, call for quote.

MOUSER STOCK NO.	Amphenol Part No.	Fig.	No. of Pos.	Type	Price Each			
					1	10	50	100
523-17E-1657-09	17E-1657-09	E	9	Metal	4,49	4,07	3,71	3,41
523-17E-1657-15	17E-1657-15	E	15	Metal	4,77	4,55	4,14	3,78
523-17E-1657-25	17E-1657-25	E	25	Metal	5,63	5,36	5,25	4,69
523-17E-1657-37	17E-1657-37	E	37	Metal	7,62	7,01	6,47	6,14

SCREW LOCK ASSEMBLIES

For quantities greater than listed, call for quote.

MOUSER STOCK NO.	Amphenol Part No.	Description	Price Each			
			1	10	50	100
523-L17D20419EX	L17D20419EX	#4-40 Male for 9, 15, 25, & 37 D-Sub, 10 Pack	6,15	5,60	4,36	3,92
523-L17D20418-2-TX	L17D20418-2-TX	#4-40 Female Standoff, 10 Pack	5,54	5,15	4,29	3,87



Amphenol "D" Connectors

CONEC D-Subminiature Connectors



This product is RoHS compliant.



NEW FROM CONEC

NEW FROM CONEC

"D" Connectors

CONEC

NEW FROM CONEC

NEW FROM CONEC

D-SUB - IP67 SOLID BODY

Specifications:

- Current Rating: 7.5Amps (UL); 5Amps (CSA, VDE)
- Test Voltage: 1000 V
- Working Voltage: 125V (std); 60V (high density)
- Insulation resistance: .5GΩ
- Operating Temp.: -25°C to +105°C
- Mating cycles up to 500

Applications:

- COTS
- High End Commercial
- Industrial
- Marine
- Telecomm
- Medical
- Computer / Rugged
- Aerospace



Solder cup – Precision machined contacts

Features:

- Suitable for wire size AWG 20 Std.; AWG 22 HD
- Mounting style: 4-40 UNC threaded insert including hex locking bolt
- Quality class 3
- One-piece zinc die-cast nickel plated shell
- IP67 for harsh environments, pressure-proof up to 1.45 PSI

For quantities greater than listed, call for quote.

MOUSER STOCK NO.	CONEC Part No.	No. of Positions	Dimensions (in.)				Type	Price Each			
			A	B	C	D		1	10	100	500
Standard - AWG 20											
706-15-000573	15-000573	9	39.40	16.81	25.00	6.00	Plug	11,63	9,69	8,31	7,76
706-15-000583	15-000583	15	47.70	25.14	33.32	6.00	Plug	12,75	10,63	9,11	8,50
706-15-000593	15-000593	25	61.40	38.86	47.04	5.99	Plug	14,08	11,73	10,07	9,39
706-15-000603	15-000603	37	78.00	55.32	63.50	5.99	Plug	17,14	14,29	12,24	11,43
706-15-000613	15-000613	9	39.40	16.46	25.00	-	Socket	11,62	9,69	8,31	7,76
706-15-000623	15-000623	15	47.70	24.79	33.32	-	Socket	13,04	10,87	9,32	8,70
706-15-000633	15-000633	25	61.40	38.50	47.04	-	Socket	15,25	12,71	10,89	10,16
706-15-000643	15-000643	37	78.00	54.96	63.50	-	Socket	17,85	14,87	12,75	11,90
High Density - AWG 22											
706-15-000653	15-000653	15	39.40	16.81	25.00	6.00	Plug	14,07	11,73	10,06	9,38
706-15-000663	15-000663	26	47.70	25.14	33.32	6.00	Plug	15,97	13,31	11,41	10,65
706-15-000673	15-000673	44	61.40	38.86	47.04	5.99	Plug	21,99	18,32	15,71	14,66
706-15-000693	15-000693	15	39.40	16.46	25.00	-	Socket	12,51	10,42	8,93	8,34
706-15-000703	15-000703	26	47.70	24.79	33.32	-	Socket	16,75	13,96	11,96	11,16
706-15-000713	15-000713	44	61.40	38.50	47.04	-	Socket	25,62	21,34	18,30	17,08

Solder pin – Straight – Precision machined contacts

Features:

- Mounting style: 4-40 UNC threaded rear spacer with PCB clip including hex locking bolt
- Quality class 3
- One-piece zinc die-cast nickel plated shell
- IP67 for harsh environments, pressure-proof up to 1.45 PSI

For quantities greater than listed, call for quote.

MOUSER STOCK NO.	CONEC Part No.	No. of Positions	Dimensions (in.)				Type	Price Each			
			A	B	C	D		1	10	100	500
Standard											
706-15-000413	15-000413	9	39.40	16.81	25.00	6.00	Plug	12,14	10,11	8,67	8,09
706-15-000423	15-000423	15	47.70	25.14	33.32	6.00	Plug	13,19	11,00	9,42	8,79
706-15-000433	15-000433	25	61.40	38.86	47.04	5.99	Plug	14,68	12,23	10,48	9,78
706-15-000443	15-000443	37	78.00	55.32	63.50	5.99	Plug	16,60	13,84	11,86	11,06
706-15-000453	15-000453	9	39.40	16.46	25.00	-	Socket	11,44	9,54	8,17	7,62
706-15-000463	15-000463	15	47.70	24.79	33.32	-	Socket	12,53	10,44	8,95	8,35
706-15-000473	15-000473	25	61.40	38.50	47.04	-	Socket	14,04	11,71	10,03	9,36
706-15-000483	15-000483	37	78.00	54.96	63.50	-	Socket	14,44	12,03	10,31	9,63
High Density											
706-15-000493	15-000493	15	39.40	16.81	25.00	6.00	Plug	13,89	11,57	9,92	9,26
706-15-000503	15-000503	26	47.70	25.14	33.32	6.00	Plug	14,64	12,19	10,45	9,76
706-15-000513	15-000513	44	61.40	38.86	47.04	5.99	Plug	19,27	16,06	13,77	12,85
706-15-000533	15-000533	15	39.40	16.46	25.00	-	Socket	13,33	11,11	9,52	8,89
706-15-000543	15-000543	26	47.70	24.79	33.32	-	Socket	16,27	12,45	10,54	9,64
706-15-000553	15-000553	44	61.40	38.50	47.04	-	Socket	18,11	15,08	12,94	12,07

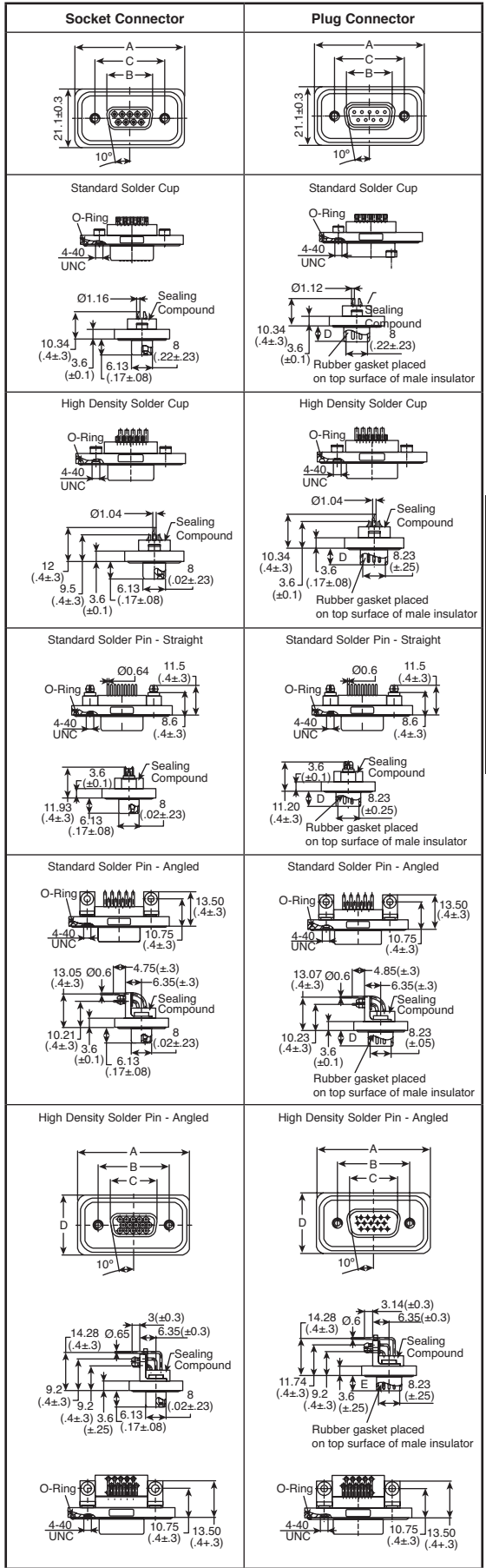
Solder pin – Angled – Precision machined contacts – Metal bracket

Features:

- Mounting style: 4-40 UNC threaded rear spacer with PCB clip including hex locking bolt
- Quality class 3
- One-piece zinc die-cast nickel plated shell
- IP67 for harsh environments, pressure-proof up to 1.45 PSI

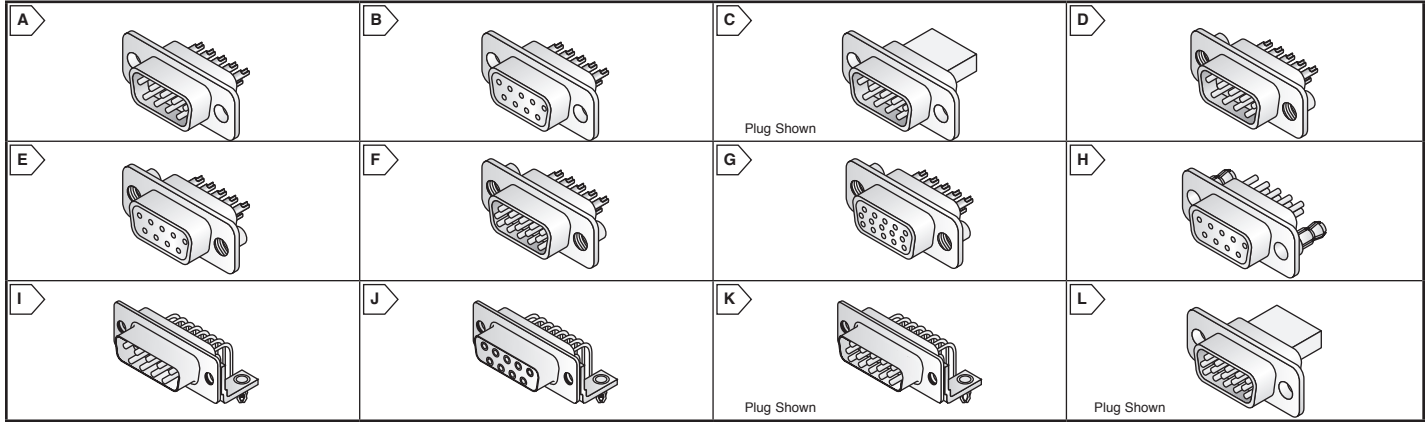
For quantities greater than listed, call for quote.

MOUSER STOCK NO.	CONEC Part No.	No. of Positions	Dimensions (in.)					Type	Price Each			
			A	B	C	D	E		1	10	100	500
Standard - .402" 10.2 mm												
706-15-000733	15-000733	9	39.40	16.81	25.00	6.00	-	Plug	15,91	13,26	11,37	10,61
706-15-000743	15-000743	15	47.70	25.14	33.32	6.00	-	Plug	17,80	14,83	12,71	11,86
706-15-000753	15-000753	25	61.40	38.86	47.04	5.99	-	Plug	19,40	16,17	13,86	12,94
706-15-000763	15-000763	37	78.00	55.32	63.50	5.99	-	Plug	22,23	18,52	15,87	14,82
706-15-000773	15-000773	9	39.40	16.46	25.00	-	-	Socket	14,97	12,47	10,69	9,98
706-15-000783	15-000783	15	47.70	24.79	33.32	-	-	Socket	17,09	14,25	12,20	11,39
706-15-000793	15-000793	25	61.40	38.50	47.04	-	-	Socket	19,11	15,92	13,65	12,74
706-15-000803	15-000803	37	78.00	54.96	63.50	-	-	Socket	24,17	20,15	17,27	16,11
High Density - .362" 11.7 mm												
706-15-002193	15-002193	15	39.40	16.81	25.00	21.10	6.00	Plug	20,33	16,94	14,52	13,55
706-15-002203	15-002203	26	47.70	25.14	33.32	21.10	6.00	Plug	23,79	19,82	17,00	15,86
706-15-002213	15-002213	44	61.40	38.86	47.04	21.10	5.99	Plug	32,02	26,68	22,88	21,37
706-15-002243	15-002243	15	39.40	16.46	25.00	21.10	-	Socket	19,92	16,61	14,23	13,25
706-15-002253	15-002253	26	47.70	24.79	33.32	21.10	-	Socket	24,78	20,65	17,70	16,52
706-15-002263	15-002263	44	61.40	38.50	47.04	21.10	-	Socket	34,08	28,40	24,34	22,72



CONEC D-Subminiature Connectors

RoHS Compliant This product is RoHS compliant.



NON-FILTERED D-SUBS

For quantities greater than listed, call for quote.

MOUSER STOCK NO.	CONEC Part No.	Fig.	No. of Positions	Type	Description	Price Each		
						1	10	100
Through Hole								
706-163A11069X	163A11069X	A	9	Plug	Solder Cup	2,22	1,63	1,26
706-163A11079X	163A11079X	A	15	Plug	Solder Cup	2,91	2,00	1,66
706-163A11089X	163A11089X	A	25	Plug	Solder Cup	3,61	2,52	2,08
706-163A11099X	163A11099X	A	37	Plug	Solder Cup	4,71	3,55	2,90
706-163A11109X	163A11109X	A	50	Plug	Solder Cup	5,42	4,08	3,43
706-164A10019X	164A10019X	B	9	Socket	Solder Cup	2,47	1,74	1,44
706-164A10029X	164A10029X	B	15	Socket	Solder Cup	3,58	2,54	2,11
706-164A10039X	164A10039X	B	25	Socket	Solder Cup	4,57	3,42	2,81
706-164A10049X	164A10049X	B	37	Socket	Solder Cup	6,35	4,80	3,97
706-164A10059X	164A10059X	B	50	Socket	Solder Cup	8,15	6,11	5,14
706-163X10019X	163X10019X	C	9	Plug	Crimp	1,29	0,866	0,66
706-163X10029X	163X10029X	C	15	Plug	Crimp	1,48	0,974	0,79
706-163X10039X	163X10039X	C	25	Plug	Crimp	1,55	1,05	0,809
706-163X10049X	163X10049X	C	37	Plug	Crimp	1,89	1,34	1,06
706-163X10059X	163X10059X	C	50	Plug	Crimp	2,71	1,86	1,55
706-164X11769X	164X11769X	C	9	Socket	Crimp	1,42	0,932	0,71
706-164X11779X	164X11779X	C	15	Socket	Crimp	1,39	1,01	0,809
706-164X11789X	164X11789X	C	25	Socket	Crimp	1,72	1,16	0,924
706-164X11799X	164X11799X	C	37	Socket	Crimp	2,22	1,49	1,22
706-164X11809X	164X11809X	C	50	Socket	Crimp	2,77	1,86	1,57
4-40 UNC Threaded								
706-163A11269X	163A11269X	D	9	Plug	Solder Cup	2,43	1,66	1,40
706-163A11279X	163A11279X	D	15	Plug	Solder Cup	3,01	2,13	1,78
706-163A11289X	163A11289X	D	25	Plug	Solder Cup	4,07	2,94	2,41
706-163A11299X	163A11299X	D	37	Plug	Solder Cup	4,76	3,54	2,93
706-164A10219X	164A10219X	E	9	Socket	Solder Cup	2,87	2,00	1,68
706-164A10229X	164A10229X	E	15	Socket	Solder Cup	3,94	2,82	2,33
706-164A10239X	164A10239X	E	25	Socket	Solder Cup	5,00	3,70	3,03
706-164A10249X	164A10249X	E	37	Socket	Solder Cup	6,64	4,88	4,09
706-164A10259X	164A10259X	E	50	Socket	Solder Cup	8,48	6,21	5,37
706-163A16649X	163A16649X	F	15	Plug	Solder Cup High Density	3,99	2,96	2,44
706-163A16659X	163A16659X	F	26	Plug	Solder Cup High Density	5,81	4,39	3,65
706-163A16669X	163A16669X	F	44	Plug	Solder Cup High Density	8,37	6,28	5,26
706-164A17059X	164A17059X	G	15	Socket	Solder Cup High Density	5,07	3,75	3,10
706-164A17069X	164A17069X	G	26	Socket	Solder Cup High Density	10,30	8,94	6,86
706-164A17079X	164A17079X	G	44	Socket	Solder Cup High Density	9,74	8,89	8,46
With Threaded Spacer Clip								
706-164A16569X	164A16569X	H	9	Socket	PC Mount-Vertical	3,92	2,73	2,29
706-164A16579X	164A16579X	H	15	Socket	PC Mount-Vertical	4,26	3,20	2,85
706-164A16589X	164A16589X	H	25	Socket	PC Mount-Vertical	5,02	3,77	3,53
With Metal Bracket Threaded Insert and Clip								
706-163A17529X	163A17529X	I	9	Plug	PC Mount-Right Angle	5,70	4,33	3,61
706-163A17539X	163A17539X	I	15	Plug	PC Mount-Right Angle	7,04	5,34	4,49
706-163A17549X	163A17549X	I	25	Plug	PC Mount-Right Angle	8,85	6,78	5,89
706-164A17939X	164A17939X	J	9	Socket	PC Mount-Right Angle	6,13	4,62	3,90
706-164A17949X	164A17949X	J	15	Socket	PC Mount-Right Angle	7,59	5,73	4,81
706-164A17959X	164A17959X	J	25	Socket	PC Mount-Right Angle	9,59	7,32	6,31
High Density With Metal Bracket Threaded Insert and Clip								
706-163A17769X	163A17769X	K	15	Plug	PC Mount-Right Angle	9,85	7,56	6,51
706-164A18179X	164A18179X	K	15	Socket	PC Mount-Right Angle	11,34	8,77	7,93
High Density Shell for Screw Machine Contacts with Through Hole								
706-163X10169X	163X10169X	L	15	Plug	Crimp	2,62	1,83	1,53
706-163X10179X	163X10179X	L	26	Plug	Crimp	3,37	2,37	1,93
706-163X10189X	163X10189X	L	44	Plug	Crimp	2,00	1,44	1,19
706-164X11949X	164X11949X	L	15	Socket	Crimp	3,31	2,37	1,93
706-164X11959X	164X11959X	L	26	Socket	Crimp	3,61	2,60	2,15
706-164X11969X	164X11969X	L	44	Socket	Crimp	3,21	2,24	1,86

CONTACTS

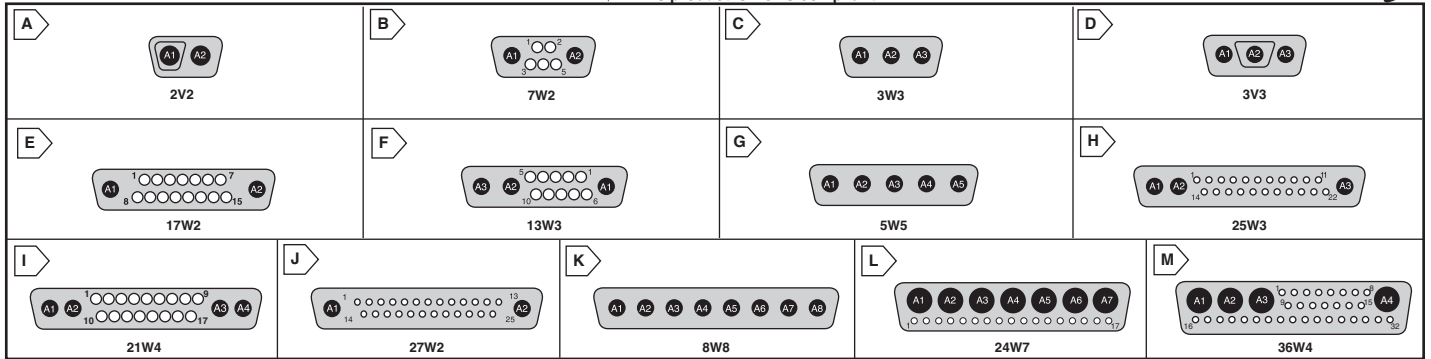
For quantities greater than listed, call for quote.

MOUSER STOCK NO.	CONEC Part No.	Type	Description	Price Each		
				1	10	100
Crimp						
706-161A18299X	161A18299X	Male	20-24 AWG	0,37	0,248	0,165
706-161A18309X	161A18309X	Male	24-28 AWG	0,38	0,231	0,165
706-162A18709X	162A18709X	Female	20-24 AWG	0,73	0,495	0,363
706-162A18719X	162A18719X	Female	24-28 AWG	0,81	0,536	0,404
Screw Machine High Density Crimp Contacts						
706-161A18009X	161A18009X	Male	22 AWG	0,23	0,14	0,091
706-162A18419X	162A18419X	Female	22 AWG	0,32	0,206	0,14

FCI Mixed Power D-Sub Connectors



RoHS Compliant This product is RoHS compliant.



MIXED POWER CABLE CONNECTORS

(Power Contacts not Included)

Specifications:

- Shell: Steel
- Insulator: Thermoplastic
- Contacts: Copper Alloy

Standard Plating:

- Shell: Tin
- Contact: Active Area: Gold over Nickel
- Termination Area: Tin over

Nickel

Current Rating:

- Power contacts: K-40A per contact
- Signal contacts: 7.5A/contact at 30°C

Features:

- Signal solder bucket contacts are preassembled in the connector
- Power contacts are sold and assembled separately in solder bucket or crimp versions

* RoHS Compliant per FCI documentation

For quantities greater than listed, call for quote.

MOUSER STOCK NO.	FCI Part No.	Fig.	Shell Size	Type	Arrangement	Price Each		
						1	5	10
649-DE2V2PA00LF	DE2V2PA00LF	A	E (9 way shell)	Pin	2V2	1,57	1,43	1,36
649-DE2V2SA00LF	DE2V2SA00LF	A	E (9 way shell)	Socket	2V2	1,64	1,48	1,42
649-DA7W2PA00LF	DA7W2PA00LF	B	A (15 way shell)	Pin	7W2	2,48	2,25	2,14
649-DA7W2SA00LF	DA7W2SA00LF	B	A (15 way shell)	Socket	7W2	2,74	2,49	2,37
649-DA3W3PA00LF	DA3W3PA00LF	C	A (15 way shell)	Pin	3W3	0,95	0,86	0,819
649-DA3W3SA00LF	DA3W3SA00LF	C	A (15 way shell)	Socket	3W3	0,85	0,77	0,731
649-DA3V3PA00LF	DA3V3PA00LF	D	A (15 way shell)	Pin	3V3	0,95	0,86	0,814
649-DA3V3SA00LF	DA3V3SA00LF	D	A (15 way shell)	Socket	3V3	1,34	1,23	1,17
649-DB17W2PA00LF	DB17W2PA00LF	E	B (25 way shell)	Pin	17W2	4,73	4,31	4,10
649-DB17W2SA00LF	DB17W2SA00LF	E	B (25 way shell)	Socket	17W2	7,03	6,34	5,99
649-DB13W3PA00LF	DB13W3PA00LF	F	B (25 way shell)	Pin	13W3	3,32	3,02	2,87
649-DB13W3SA00LF	DB13W3SA00LF	F	B (25 way shell)	Socket	13W3	5,09	4,64	4,40
649-DB5W5PA00LF	DB5W5PA00LF	G	B (25 way shell)	Pin	5W5	1,33	1,21	1,15
649-DB5W5SA00LF	DB5W5SA00LF	G	B (25 way shell)	Socket	5W5	1,65	1,49	1,42
649-DC25W3PA00LF	DC25W3PA00LF	H	C (37 way shell)	Pin	25W3	7,87	5,39	5,19
649-DC21WA4PA00LF	DC21WA4PA00LF	I	C (37 way shell)	Pin	21WA4	5,35	4,88	4,63
649-DC27W2PA00LF	DC27W2PA00LF	J	C (37 way shell)	Pin	27W2	5,67	5,15	4,90
649-DC27W2SA00LF	DC27W2SA00LF	J	C (37 way shell)	Socket	27W2	9,23	8,39	7,97
649-DC8W8PA00LF	DC8W8PA00LF	K	C (37 way shell)	Pin	8W8	1,55	1,41	1,34
649-DC8W8SA00LF	DC8W8SA00LF	K	C (37 way shell)	Socket	8W8	1,56	1,42	1,35
649-DD24W7PA00LF	DD24W7PA00LF	L	D (50 way shell)	Pin	24W7	6,89	6,27	5,95
649-DD24W7SA00LF	DD24W7SA00LF	L	D (50 way shell)	Socket	24W7	7,41	6,73	6,39
649-DD36W4PA00LF	DD36W4PA00LF	M	D (50 way shell)	Pin	36W4	21,66	19,66	18,63
649-DD36W4SA00LF	DD36W4SA00LF	M	D (50 way shell)	Socket	36W4	10,29	9,09	8,65

POWER CONTACTS

Material Specifications:

- Clip Material: Plastic withstanding 125°C
- Termination Plating: Matte Tin
- RoHS Compliant per FCI documentation

For quantities greater than listed, call for quote.

MOUSER STOCK NO.	FCI Part No.	Gender	Wire Gauge	Max Current	Price Each				
					1	5	10		
Solder Bucket									
649-8638PPS1005LF	8638PPS1005LF	Pin	16AWG	10 A	2,78	2,53	2,41		
649-8638PSS1005LF	8638PSS1005LF	Socket	16AWG	10 A	3,09	2,81	2,67		
649-8638PPS2005LF	8638PPS2005LF	Pin	12AWG	20 A	1,49	1,36	1,29		
649-8638PSS2005LF	8638PSS2005LF	Socket	12AWG	20 A	2,47	2,25	2,13		
649-8638PPS4005LF	8638PPS4005LF	Pin	8AWG	40 A	2,05	1,87	1,78		
649-8638PSS4005LF	8638PSS4005LF	Socket	8AWG	40 A	2,43	2,22	2,10		
Crimp									
649-8638PSC1005LF	8638PSC1005LF	Socket	16-18AWG	10 A	1,73	1,57	1,50		
649-8638PPC2005LF	8638PPC2005LF	Pin	12-14AWG	20 A	2,53	2,32	2,20		
649-8638PSC2005LF	8638PSC2005LF	Socket	12-14AWG	20 A	1,79	1,62	1,54		
649-8638PPC4005LF	8638PPC4005LF	Pin	8-10AWG	40 A	2,07	1,88	1,79		
649-8638PSC4005LF	8638PSC4005LF	Socket	8-10AWG	40 A	2,45	2,23	2,12		

FCT ELECTRONICS PCB Mixed D-Sub Connectors



RoHS Compliant This product is RoHS compliant.

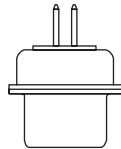
PCB MIXED D-SUB CONNECTORS

Features:

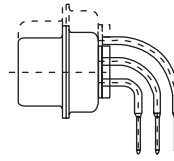
- Standard D-Sub Shell
- Housings plug with grounding indents
- Non-Removeable size 20 signal contacts
- Choice of standard signal contacts and/or power contacts
- RoHS per FCT Documentation

Specifications:

- Flammability rating: UL94V-0
- Temperature rating: -55°C to 155°C
- Contact/Contact resistance: 500 megohm
- Plating: Tin



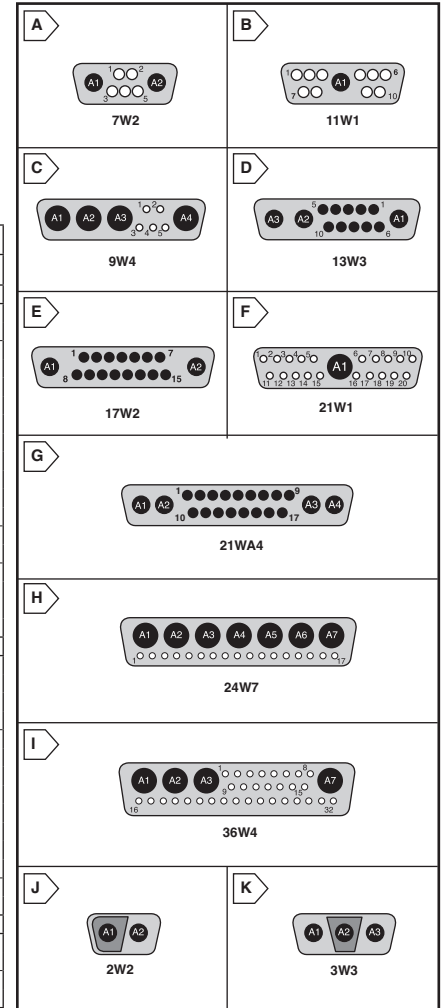
Straight



Right Angle

For quantities greater than listed, call for quote.

MOUSER STOCK NO.	FCT Part No.	Fig.	Shell Size	Type	Layout	Price Each		
						1	10	100
Straight								
152-FM7W2P1-K120	FM7W2P1-K120	A	15P	Plug	7W2	3,49	3,14	2,81
152-FM7W2S1-K121	FM7W2S1-K121	A	15P	Socket	7W2	3,87	3,48	3,10
152-FM11W1P1-K120	FM11W1P1-K120	B	15P	Plug	11W1	4,87	4,31	4,00
152-FM11W1S1-K121	FM11W1S1-K121	B	15P	Socket	11W1	5,91	5,22	4,85
152-FM9W4P1-K120	FM9W4P1-K120	C	25P	Plug	9W4	2,51	2,26	2,09
152-FM9W4S1-K121	FM9W4S1-K121	C	25P	Socket	9W4	4,92	4,50	4,17
152-FM13W3P1-K120	FM13W3P1-K120	D	25P	Plug	13W3	4,85	4,37	3,90
152-FM13W3S1-K121	FM13W3S1-K121	D	25P	Socket	13W3	6,55	5,89	5,26
152-FM17W2P1-K120	FM17W2P1-K120	E	25P	Plug	17W2	6,59	5,94	5,30
152-FM17W2S1-K121	FM17W2S1-K121	E	25P	Socket	17W2	8,46	7,62	6,81
152-FM21W1P1-K120	FM21W1P1-K120	F	25P	Plug	21W1	7,91	7,13	6,36
152-FM21W1S1-K121	FM21W1S1-K121	F	25P	Socket	21W1	9,59	8,63	7,71
152-FM21WA4P1-K120	FM21WA4P1-K120	G	37P	Plug	21WA4	7,68	6,91	6,17
152-FM21WA4S1-K121	FM21WA4S1-K121	G	37P	Socket	21WA4	9,25	8,18	7,60
152-FM24W7P1-K120	FM24W7P1-K120	H	50P	Plug	24W7	7,91	7,13	6,36
152-FM24W7S1-K121	FM24W7S1-K121	H	50P	Socket	24W7	9,79	8,82	7,87
152-FM36W4P1-K120	FM36W4P1-K120	I	50P	Plug	36W4	12,23	10,82	10,05
152-FM36W4S1-K121	FM36W4S1-K121	I	50P	Socket	36W4	16,11	14,50	12,95
Right Angle								
152-FM7W2P5-1002	FM7W2P5-1002	A	15P	Plug	7W2	6,97	6,28	5,60
152-FM7W2S5-1002	FM7W2S5-1002	A	15P	Socket	7W2	8,01	7,22	6,44
152-FM11W1P5-1002	FM11W1P5-1002	B	15P	Plug	11W1	9,97	8,81	8,18
152-FM11W1S5-1002	FM11W1S5-1002	B	15P	Socket	11W1	12,19	10,78	10,02
152-FM9W4P5-1002	FM9W4P5-1002	C	25P	Plug	9W4	7,17	6,45	5,75
152-FM9W4S5-1002	FM9W4S5-1002	C	25P	Socket	9W4	8,51	7,66	6,84
152-FM13W3P5-1002	FM13W3P5-1002	D	25P	Plug	13W3	9,97	8,81	8,18
152-FM13W3S5-1002	FM13W3S5-1002	D	25P	Socket	13W3	12,64	11,37	10,16
152-FM17W2P5-1002	FM17W2P5-1002	E	25P	Plug	17W2	13,03	11,73	10,47
152-FM17W2S5-1002	FM17W2S5-1002	E	25P	Socket	17W2	16,15	14,54	12,99
152-FM21W1P5-1002	FM21W1P5-1002	F	25P	Plug	21W1	15,65	13,84	12,85
152-FM21W1S5-1002	FM21W1S5-1002	F	25P	Socket	21W1	20,11	18,08	16,15
152-FM21WA4P5-1002	FM21WA4P5-1002	G	37P	Plug	21WA4	13,93	12,33	11,44
152-FM21WA4S5-1002	FM21WA4S5-1002	G	37P	Socket	21WA4	17,81	16,04	14,31
Mixed Gender								
152-F2W2PC-1002	F2W2PC-1002	J	9P	Plug	2W2	3,91	3,52	3,20
152-F2W2SC-1002	F2W2SC-1002	J	9P	Socket	2W2	3,91	3,52	3,20
152-F3W3PC-1002	F3W3PC-1002	K	15P	Plug	3W3	4,40	3,96	3,53
152-F3W3SC-1002	F3W3SC-1002	K	15P	Socket	3W3	4,31	3,88	3,53



FCT Electronics "D" Connectors

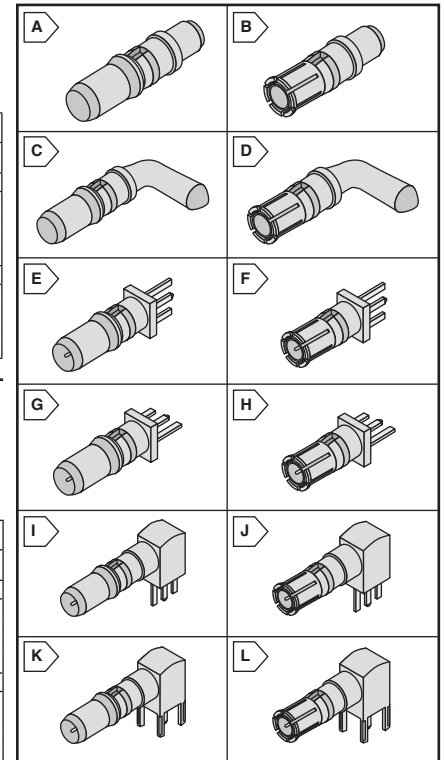
HIGH POWER CONTACTS, PCB TERMINATION

Features:

- Temperature Range: -55°C to ± 125°C
- Plating: 30µ" Gold
- RoHS per FCT Documentation

For quantities greater than listed, call for quote.

MOUSER STOCK NO.	FCT Part No.	Fig.	Description	Price Each		
				1	10	100
Straight						
152-FMP010P104	FMP010P104	A	20 AMP Plug	1,39	1,26	1,12
152-FMP010S104	FMP010S104	B	20 AMP Socket	1,82	1,63	1,50
152-FMP016P104	FMP016P104	A	40 AMP Plug	1,53	1,40	1,30
152-FMP016S104	FMP016S104	B	40 AMP Socket	1,86	1,67	1,49
Right Angle						
152-FMP008P104	FMP008P104	C	20 AMP R/A Plug	2,17	1,96	1,74
152-FMP008S104	FMP008S104	D	20 AMP R/A Socket	2,78	2,51	2,24
152-FMP009P104	FMP009P104	C	40 AMP R/A Plug	1,86	1,67	1,49
152-FMP009S104	FMP009S104	D	40 AMP R/A Socket	2,33	2,10	1,90



COAXIAL CONTACTS, PCB TERMINATION

Features:

- Current Rating: 2 A Max.
- Plating: 30µ" Gold
- RoHS per FCT Documentation

For quantities greater than listed, call for quote.

MOUSER STOCK NO.	FCT Part No.	Fig.	Description	Price Each		
				1	10	100
3 Pin Straight						
152-FME010P102	FME010P102	E	50 Ohm Plug	4,65	4,20	3,75
152-FME010S102	FME010S102	F	50 Ohm Socket	4,64	4,17	3,75
152-FME005P102	FME005P102	G	75 Ohm Plug	4,89	4,41	3,94
152-FME005S102	FME005S102	H	75 Ohm Socket	5,31	4,79	4,26
Right Angle						
152-FME008P102	FME008P102	I	50 Ohm, 3 Pin, R/A Plug	7,95	7,16	6,39
152-FME008S102	FME008S102	J	50 Ohm, 3 Pin, R/A Socket	6,90	6,20	5,54
152-FME009P102	FME009P102	K	50 Ohm, 5 Pin, R/A Plug	8,71	7,84	7,00
152-FME009S102	FME009S102	L	50 Ohm, 5 Pin, R/A Socket	8,32	7,51	6,84

FCT ELECTRONICS D-Sub Connectors



This page of product is compliant.

RIGHT ANGLE D-SUB CONNECTORS PCB TERMINATION

- Temperature rating: -55°C to +150°C
- Current rating: 5A
- Shell plating: Tin plated over nickel
- Contact material: Copper alloy
- High temperature insulators allow RoHS soldering processes
- Insulator: PCT, glass filled (UL94V-0), natural
- Mounting type: Clinch nut 4-40 UNC
- Contact: Right angled PCB termination
- Performance class 1 in accordance with DIN 41652

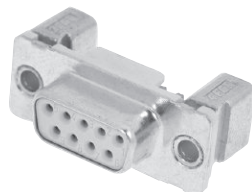


For quantities greater than listed, call for quote.

MOUSER STOCK NO.	FCT Part No.	No. of Pos.	Gender	Price Each		
				1	10	100
152-FHT09P5G1	FHT09P5G1	9	Plug	6,44	5,83	4,71
152-FHT09S5G1	FHT09S5G1	9	Socket	7,49	6,78	5,48
152-FHT15P5G1	FHT15P5G1	15	Plug	7,94	7,20	5,85
152-FHT15S5G1	FHT15S5G1	15	Socket	9,81	8,87	7,17
152-FHT25P5G1	FHT25P5G1	25	Plug	10,67	9,65	7,80
152-FHT25S5G1	FHT25S5G1	25	Socket	12,25	11,11	9,01
152-FHT37P5G1	FHT37P5G1	37	Plug	21,44	19,44	15,77
152-FHT37S5G1	FHT37S5G1	37	Socket	21,37	19,54	17,33

RIGHT ANGLE SMT D-SUB CONNECTORS

- Individually packaged
- Current rating: 5A
- Shell plating: Tin plated over nickel
- Contact material: Copper alloy
- Insulator: LCP, glass filled (UL94V-0), natural
- Mounting type: 4-40 UNC
- Overall height: .287"
- Performance class 1 in accordance with DIN 41652

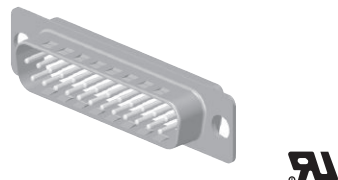


For quantities greater than listed, call for quote.

MOUSER STOCK NO.	FCT Part No.	No. of Pos.	Gender	Price Each		
				1	10	100
152-FSLT09P107G1E	FSLT09P107G1E	9	Plug	11,20	9,16	7,56
152-FSLT09S107G1E	FSLT09S107G1E	9	Socket	8,96	7,22	6,04
152-FSLT15P107G1E	FSLT15P107G1E	15	Plug	12,53	10,16	8,75
152-FSLT15S107G1E	FSLT15S107G1E	15	Socket	10,76	8,73	7,51

STANDARD D-SUB CONNECTORS

- Plug with grounding dimples
- Current rating: 5A
- Shell plating: Tin plated over nickel
- Contact material: Copper alloy
- Insulator: Thermoplastic, glass filled (UL94V-0), white
- Contacts: Solder pot termination
- Performance class 1 in accordance with DIN 41652
- RoHS Compliant per FCT Electronics documentation

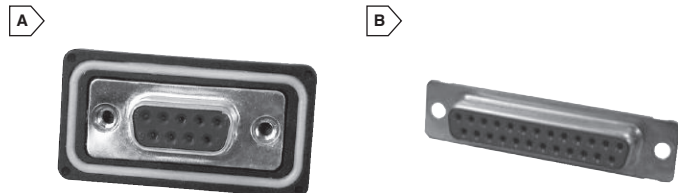


For quantities greater than listed, call for quote.

MOUSER STOCK NO.	FCT Part No.	No. of Pos.	Gender	Price Each		
				1	10	100
152-F09P0G1	F09P0G1	9	Plug	2,66	2,25	2,06
152-F09S0G1	F09S0G1	9	Socket	3,11	2,64	2,41
152-F15P0G1	F15P0G1	15	Plug	3,38	2,87	2,63
152-F15S0G1	F15S0G1	15	Socket	3,98	3,37	3,09
152-F25P0G1	F25P0G1	25	Plug	4,79	4,15	3,71
152-F25S0G1	F25S0G1	25	Socket	5,88	5,00	4,56
152-F37P0G1	F37P0G1	37	Plug	6,58	5,68	5,10
152-F37S0G1	F37S0G1	37	Socket	8,26	7,01	6,40
152-F50P0G1	F50P0G1	50	Plug	8,45	7,17	6,55
152-F50S0G1	F50S0G1	50	Socket	10,80	9,34	8,37

WATERPROOF D-SUB CONNECTORS

- Features:**
- Protection standard: DIN 40050-IP 67
 - Temperature range: -13°F to + 158°F
 - Current rating: 5 A
 - Insulator: Thermoplastic, glass filled (UL94V-0)
 - Plastic watertight frame
 - Contact material: Copper alloy

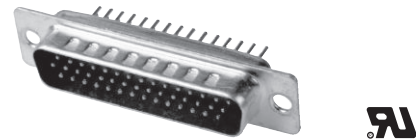


For quantities greater than listed, call for quote.

MOUSER STOCK NO.	FCT Part No.	Fig.	No. of Pos.	Gender	Price Each		
					1	10	100
Panel Mount							
152-FWDR09P	FWDR09P	A	9	Plug	12,09	10,58	9,08
152-FWDR09S	FWDR09S	A	9	Socket	13,53	11,84	10,15
152-FWDR15P	FWDR15P	A	15	Plug	23,56	20,62	17,67
152-FWDR15S	FWDR15S	A	15	Socket	23,74	20,77	17,80
152-FWDR25P	FWDR25P	A	25	Plug	25,00	21,50	19,19
152-FWDR25S	FWDR25S	A	25	Socket	25,84	22,61	19,37
Cable Mount							
152-F09P-K700	F09P-K700	B	9	Plug	14,46	12,65	10,84
152-F09S-K700	F09S-K700	B	9	Socket	15,96	13,81	11,83
152-F15P-K700	F15P-K700	B	15	Plug	12,31	10,77	9,22
152-F15S-K700	F15S-K700	B	15	Socket	13,74	12,03	10,31
152-F25P-K700	F25P-K700	B	25	Plug	17,18	14,78	13,18
152-F25S-K700	F25S-K700	B	25	Socket	19,98	17,48	14,98

HIGH DENSITY D-SUB CONNECTORS

- Plug with grounding dimples
- Insulator: Thermoplastic, glass filled (UL94V-0)
- Signal contacts: Copper alloy, gold plated
- Current rating: 3A
- RoHS Compliant per FCT Electronics documentation
- Contacts: Solder pot termination
- Operating temperature: -55°C to +105°C



For quantities greater than listed, call for quote.

MOUSER STOCK NO.	FCT Part No.	Shell Size	No. of Pos.	Gender	Price Each		
					1	10	100
152-CT09-15P	CT09-15P	9P	15	Plug	2,85	2,47	2,22
152-CT09-15S	CT09-15S	9P	15	Socket	2,98	2,58	2,31
152-CT15-26P	CT15-26P	15P	26	Plug	4,05	3,51	3,14
152-CT15-26S	CT15-26S	15P	26	Socket	4,25	3,60	3,29
152-CT25-44P	CT25-44P	25P	44	Plug	4,69	4,07	3,65
152-CT25-44S	CT25-44S	25P	44	Socket	5,09	4,41	3,95
152-CT37-62P	CT37-62P	37P	62	Plug	5,60	4,75	4,35
152-CT37-62S	CT37-62S	37P	62	Socket	6,90	5,97	5,36
152-CT50-78P	CT50-78P	50P	78	Plug	10,53	9,11	8,17
152-CT50-78S	CT50-78S	50P	78	Socket	10,53	9,11	8,17

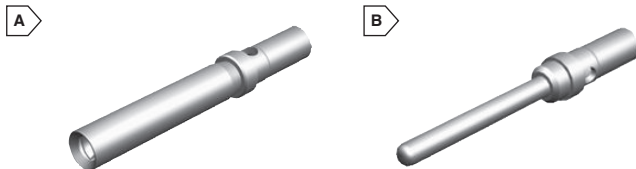
CRIMP & POKE D-SUB CONNECTORS

- Crimp contacts sold separately
- Tin over nickel steel shell
- Current rating: 5A
- Insulator: Black thermoplastic, glass filled (UL94V-0)
- Shell Plating: Tin Plate over Nickel
- RoHS Compliant per FCT Electronics documentation



For quantities greater than listed, call for quote.

MOUSER STOCK NO.	FCT Part No.	No. of Pos.	Gender	Price Each		
				1	10	100
152-FL09P7-K120	FL09P7-K120	9	Plug	1,60	1,35	1,24
152-FL09S7-K121	FL09S7-K121	9	Socket	1,51	1,29	1,17
152-FL15P7-K120	FL15P7-K120	15	Plug	1,59	1,35	1,24
152-FL15S7-K121	FL15S7-K121	15	Socket	1,61	1,39	1,25
152-FL25P7-K120	FL25P7-K120	25	Plug	1,69	1,46	1,31
152-FL25S7-K121	FL25S7-K121	25	Socket	1,70	1,53	1,44
152-FL37P7-K120	FL37P7-K120	37	Plug	2,16	1,84	1,67
152-FL37S7-K121	FL37S7-K121	37	Socket	2,19	1,90	1,70
152-FL50P7-K120	FL50P7-K120	50	Plug	2,19	1,90	1,70
152-FL50S7-K121	FL50S7-K121	50	Socket	2,23	1,89	1,72



For quantities greater than listed, call for quote.

MOUSER STOCK NO.	FCT Part No.	Fig.	Gender	Price Each		
				1	10	100
Crimp and Poke - Sold Individually						
152-FK20S-13V0100	FK20S-13V_0100	A	Socket Contact	1,58	1,48	1,38
152-FK20P-13V0100	FK20P-13V_0100	B	Plug Contact	0,73	0,668	0,635

"D" Connectors
FCT Electronics

PLASTIC HOODS

Straight Cable Outlet

- Easy assembly with snap-in system
- Supplied with indents for positioning when mounting hoods
- Straight cable outlet with strain relief
- Color: black
- RoHS Compliant per FCT Electronics documentation



For quantities greater than listed, call for quote.

MOUSER STOCK NO.	FCT Part No.	No. of Pos.	Shell Size	Price Each		
				1	10	100
643-FKH1E	FKH1E	9	1	2,25	2,03	1,88
152-FKH2E	FKH2E	15	2	2,44	2,20	2,04
152-FKH3E	FKH3E	25	3	2,58	2,33	2,15
152-FKH4E	FKH4E	37	4	3,04	2,73	2,52
152-FKH5E	FKH5E	50	5	3,10	2,80	2,58

With Large Inner Chamber

- Straight or Angled cable outlet with strain relief
- Easy assembly with catch spring system and premounted locking screws
- Color: Black
- RoHS Compliant per FCT Electronics documentation



For quantities greater than listed, call for quote.

MOUSER STOCK NO.	FCT Part No.	Fig.	No. of Pos.	Shell Size	Price Each		
					1	10	100
Straight Cable Outlet							
152-FKC1GE	FKC1GE	A	9	1	2,70	2,47	2,27
152-FKC2GE	FKC2GE	A	15	2	2,81	2,51	2,31
152-FKC3GE	FKC3GE	A	25	3	3,04	2,77	2,55
152-FKC4GE	FKC4GE	A	37	4	3,18	2,90	2,66
152-FKC5GE	FKC5GE	A	50	5	3,48	3,11	2,87
Angled Cable Outlet							
152-FKC1E	FKC1E	B	9	1	2,81	2,51	2,31
152-FKC2E	FKC2E	B	15	2	2,92	2,62	2,41
152-FKC3E	FKC3E	B	25	3	3,07	2,75	2,52
152-FKC4E	FKC4E	B	37	4	3,18	2,90	2,66
152-FKC5E	FKC5E	B	50	5	3,58	3,28	3,02

One Piece

- Straight or Right Angle cable outlet with strain relief
- Color: Gray



Straight Cable Outlet

152-6009	F-PHG-1E	A	9	1	1,83	1,57	1,42
152-6015	F-PHG-2E	A	15	2	2,02	1,72	1,55
152-6025	F-PHG-3E	A	25	3	2,13	1,72	1,58
152-6037	F-PHG-4E	A	37	4	2,19	1,79	1,61
152-6050	F-PHG-5E	A	50	5	2,47	2,19	1,93

Right Angle Cable Outlet

152-6109	F-PHR-1E	B	9	1	2,13	1,75	1,62
152-6115	F-PHR-2E	B	15	2	2,18	1,83	1,65
152-6125	F-PHR-3E	B	25	3	2,21	1,94	1,82
152-6137	F-PHR-4E	B	37	4	2,80	2,52	2,37
152-6150	F-PHR-5E	B	50	5	2,21	1,99	1,72

With Lockable Screws

- Alternatively straight and/or right angled cable outlet with cable clamp
- RoHS Compliant per FCT Electronics documentation



For quantities greater than listed, call for quote.

MOUSER STOCK NO.	FCT Part No.	No. of Pos.	Shell Size	Price Each		
				1	10	100
Unshielded, Gray						
152-6209	FPHGR-1E	9	1	2,63	2,12	1,91
152-6215	FPHGR-2E	15	2	3,19	2,64	2,38
152-6225	FPHGR-3E	25	3	3,25	2,68	2,42
152-6250	FPHGR-5E	50	5	3,98	3,61	3,37
Shielded, Metallized Silver						
152-4009	FPHGR-1AE	9	1	6,65	5,50	4,96
152-4015	FPHGR-2AE	15	2	7,62	6,23	5,65
152-4025	FPHGR-3AE	25	3	8,45	7,29	6,68
152-4037	FPHGR-4AE	37	4	10,37	8,56	7,72
152-4050	FPHGR-5AE	50	5	11,78	9,82	9,17

METAL HOODS WITH LARGE INNER CHAMBER

- Straight or Angled cable outlet with strain relief
- Easy assembly with catch spring system and premounted locking screws
- Suitable for robust use
- RoHS Compliant per FCT Electronics documentation



* Large cable outlet

For quantities greater than listed, call for quote.

MOUSER STOCK NO.	FCT Part No.	Fig.	No. of Pos.	Shell Size	Price Each		
					1	10	100
Straight Cable Outlet							
152-FMK1G	FMK1G	A	9	1	4,82	4,32	3,98
152-FMK2G	FMK2G	A	15	2	5,57	5,00	4,60
* 152-FMK2GK201	FMK2G-K201	A	15	2	7,97	6,97	6,20
152-FMK3G	FMK3G	A	25	3	6,15	5,50	5,07
* 152-FMK3G-K201	FMK3G-K201	A	25	3	9,57	8,37	7,44
152-FMK4G	FMK4G	A	37	4	7,94	7,11	6,55
152-FMK5G	FMK5G	A	50	5	8,64	7,89	7,26
Angled Cable Outlet							
152-FMK1	FMK1	B	9	1	4,19	3,83	3,53
152-FMK2	FMK2	B	15	2	5,02	4,60	4,35
* 152-FMK2-K201	FMK2-K201	B	15	2	9,61	8,23	7,22
152-FMK3	FMK3	B	25	3	6,39	5,73	5,28
* 152-FMK3-K201	FMK3-K201	B	25	3	9,33	8,17	7,26
152-FMK4	FMK4	B	37	4	9,26	8,42	7,71
152-FMK5	FMK5	B	50	5	8,11	7,41	6,82
Normal Chamber							
152-FMH1	FMH1	C	9	1	7,43	5,78	4,33
152-FMH2	FMH2	C	15	2	6,32	5,74	5,16
152-FMH3	FMH3	C	25	3	8,69	7,82	7,22
152-FMH4	FMH4	C	37	4	10,23	9,30	8,52
152-FMH5	FMH5	C	50	5	11,40	10,36	9,50

DUST CAPS

Plastic:

- Meets protection level IP50 requirements, DIN 40050



Shielded:

- Simple mounting-push on and screw in place
- Meets protection level IP50 requirements, DIN 40050
- Tin plated brass



* With Tether

For quantities greater than listed, call for quote.

MOUSER STOCK NO.	FCT Part No.	Fig.	Shell Size	Gender	Price Each		
					1	10	100
Plastic							
152-1042-1P	F1042-1P	A	1	Plug	0,61	0,602	0,545
152-1042-1S	F1042-1S	A	1	Socket	0,53	0,52	0,469
* 152-1042-1SK	F1042-1SK	A	1	Socket	1,74	1,53	1,35
152-1042-3P	F1042-3P	A	3	Plug	0,54	0,536	0,477
152-1042-3S	F1042-3S	A	3	Socket	0,54	0,536	0,477
Shielded							
152-FSSK1P	FSSK1P	B	1	Plug	8,89	8,01	7,41
152-FSSK2P	FSSK2P	B	2	Plug	9,41	8,46	7,84
152-FSSK3P	FSSK3P	B	3	Plug	9,89	8,91	8,25
152-FSSK1S	FSSK1S	B	1	Socket	8,89	8,01	7,41
152-FSSK2S	FSSK2S	B	2	Socket	9,01	8,14	7,84
152-FSSK3S	FSSK3S	B	3	Socket	9,48	8,56	8,25

HARDWARE

For quantities greater than listed, call for quote.

MOUSER STOCK NO.	FCT Part No.	Description	Price Each		
			1	10	100
152-0003	FFB-1/5	Locking Clamp Spring	0,53	0,363	0,312
152-FGK1/5	F-GK1/5	Locking Clamp Block	0,37	0,338	0,319
1520005	F-GSCH1/5-K835	Screw Lock	1,37	1,02	0,803
1520006	FRS1/5-K190	Thumbscrew	1,45	1,06	0,891
152-FRH1/5P	FRH1/5P	Locking Hook for FMK & FKH	0,46	0,413	0,38
643-FKT1-2	FKT1-2	Rubber bushing for FKC & FKH shell size 1-2	0,28	0,248	0,235
152-FKT3-4	FKT3-4	Rubber bushing for FKC & FKH shell size 3-4	0,33	0,297	0,285
152-FKT5	FKT5	Rubber bushing for FKC & FKH shell size 5	0,37	0,338	0,326
152-F1066	F1066	Threaded spacer	0,33	0,297	0,285

KYCON Ferrite Filtered D-Subminiature Connectors



KF22 SERIES - RIGHT ANGLE, .318" FOOTPRINT This product is RoHS compliant.

Specifications:

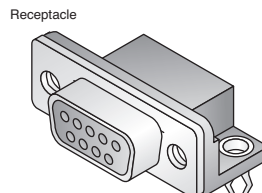
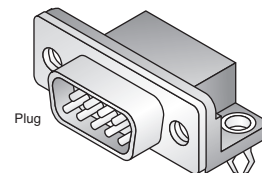
- PCB Mount - .318" Footprint
- Grounding board locks
- Riveted threaded inserts
- Shell: Steel, Tin plated
- Insulator: PBT Thermoplastic with glass-fiber reinforcement, UL94V-0 rated
- Color: Black
- Contact Material: Plug: Brass; Socket: Phosphor Bronze
- Contact Plating: Gold flash on mating end with Nickel underplate on entire contact, Tin over Nickel on termination end
- Current Rating: 2A
- Voltage Rating: 30V RMS
- Insulation Resistance: more than 1000MΩ
- Operating Temperature: -55°C to +105°C
- RoHS Compliance per Kycon Documentation

Features:

- EMI/RFI noise suppression in data communication lines
- Cost effective way to meet FCC and VDE Class B requirements
- Does not require any more board space than a standard D-Sub

Ferrite filters provide an easy and efficient way of reducing both radiated and conducted interference. KYCON uses a medium permeability nickel zinc ferrite material that is effective at attenuating frequencies above 30 MHz.

Ferrite Specifications		
Test Frequency	Edge Hole	Inner Hole
30 MHz	17-27 Ohms	22-30 Ohms
50 MHz	22-30 Ohms	29-37 Ohms
100 MHz	29-34 Ohms	35-40 Ohms



For quantities greater than listed, call for quote.

MOUSER STOCK NO.	Kycon Part No.	No. of Pos.	Type	Description	Price Each			
					1	25	50	100
806-KF22X-E9P-N	KF22X-E9P-N	9	Plug	Threaded Inserts	2,53	2,44	1,79	1,44
806-KF22X-E9P-NJ	KF22X-E9P-NJ	9	Plug	4-40 Hex. Jack Screws Installed	2,93	2,49	2,14	1,71
806-KF22X-E9S-N	KF22X-E9S-N	9	Receptacle	Threaded Inserts	2,69	2,68	1,95	1,52
806-KF22X-E9S-NJ	KF22X-E9S-NJ	9	Receptacle	4-40 Hex. Jack Screws Installed	2,94	2,50	2,14	1,72
806-KF22X-A15P-N	KF22X-A15P-N	15	Plug	Threaded Inserts	2,82	2,80	2,03	1,61
806-KF22X-A15P-NJ	KF22X-A15P-NJ	15	Plug	4-40 Hex. Jack Screws Installed	2,83	2,74	2,27	1,83
806-KF22X-A15S-N	KF22X-A15S-N	15	Receptacle	Threaded Inserts	2,22	1,97	1,76	1,60
806-KF22X-A15S-NJ	KF22X-A15S-NJ	15	Receptacle	4-40 Hex. Jack Screws Installed	3,67	3,12	2,68	2,16
806-KF22X-B25P-N	KF22X-B25P-N	25	Plug	Threaded Inserts	3,02	2,85	2,08	1,81
806-KF22X-B25P-NJ	KF22X-B25P-NJ	25	Plug	4-40 Hex. Jack Screws Installed	3,33	3,17	2,30	2,02
806-KF22X-B25S-N	KF22X-B25S-N	25	Receptacle	Threaded Inserts	2,83	2,49	2,24	2,03
806-KF22X-B25S-NJ	KF22X-B25S-NJ	25	Receptacle	4-40 Hex. Jack Screws Installed	3,14	2,77	2,49	2,26
806-KF22X-C37P-N	KF22X-C37P-N	37	Plug	Threaded Inserts	6,63	6,43	4,71	3,79
806-KF22X-C37P-NJ	KF22X-C37P-NJ	37	Plug	4-40 Hex. Jack Screws Installed	5,29	4,67	4,18	3,79
806-KF22X-C37P-HJ	KF22X-C37P-HJ	37	Plug	4-40 Hex. Jack Screws, Top GS	6,61	6,21	4,53	3,79

KF66 SERIES - RIGHT ANGLE HIGH DENSITY, .350" FOOTPRINT

Specifications:

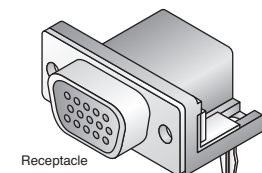
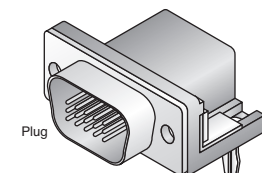
- PCB Mount - .350" Footprint
- Grounding board locks
- Riveted threaded inserts
- Shell: Steel, Tin plated
- Insulator: PBT Thermoplastic with glass-fiber reinforcement, UL94V-0 rated
- Color: Black
- Contact Material: Plug: Brass; Socket: Phosphor Bronze
- Contact Plating: Gold flash on mating end with Nickel underplate on entire contact, Tin over Nickel on termination end
- Current Rating: 2A
- Voltage Rating: 30V RMS
- Insulation Resistance: more than 1000MΩ
- Operating Temperature: -55°C to +105°C
- RoHS Compliance per Kycon Documentation

Features:

- EMI/RFI noise suppression in data communication lines
- Cost effective way to meet FCC and VDE Class B requirements
- Does not require any more board space than a standard D-Sub

Ferrite filters provide an easy and efficient way of reducing both radiated and conducted interference. KYCON uses a medium permeability nickel zinc ferrite material that is effective at attenuating frequencies above 30 MHz.

Ferrite Specifications		
Test Frequency	Outer Row	Inner Row
30 MHz	20-23 Ohms	31-38 Ohms
50 MHz	24-27 Ohms	37-43 Ohms
100 MHz	29-31 Ohms	41-48 Ohms



For quantities greater than listed, call for quote.

MOUSER STOCK NO.	Kycon Part No.	No. of Pos.	Type	Description	Price Each			
					1	25	50	100
806-KF66X-E15P-N	KF66X-E15P-N	15	Plug	Threaded Inserts	3,81	3,36	3,01	2,73
806-KF66X-E15P-NJ	KF66X-E15P-NJ	15	Plug	4-40 Hex. Jack Screws Installed	4,48	3,96	3,54	3,21
806-KF66X-E15S-N	KF66X-E15S-N	15	Receptacle	Threaded Inserts	2,62	2,31	2,07	1,88
806-KF66X-E15S-NJ	KF66X-E15S-NJ	15	Receptacle	4-40 Hex. Jack Screws Installed	3,70	3,58	2,62	2,12
806-KF66X-A26P-N	KF66X-A26P-N	26	Plug	Threaded Inserts	4,99	4,41	3,95	3,58
806-KF66X-A26P-NJ	KF66X-A26P-NJ	26	Plug	4-40 Hex. Jack Screws Installed	5,29	4,67	4,19	3,80
806-KF66X-A26S-N	KF66X-A26S-N	26	Receptacle	Threaded Inserts	6,80	6,00	5,39	4,88
806-KF66X-A26S-NJ	KF66X-A26S-NJ	26	Receptacle	4-40 Hex. Jack Screws Installed	7,12	6,27	5,62	5,08
806-KF66X-B44S-N	KF66X-B44S-N	44	Receptacle	Threaded Inserts	12,41	11,79	8,63	7,30
806-KF66X-B44S-NJ	KF66X-B44S-NJ	44	Receptacle	4-40 Hex. Jack Screws Installed	9,91	8,75	7,85	7,10

KF66 VESA SERIES - RIGHT ANGLE HIGH DENSITY, .350" FOOTPRINT

Specifications:

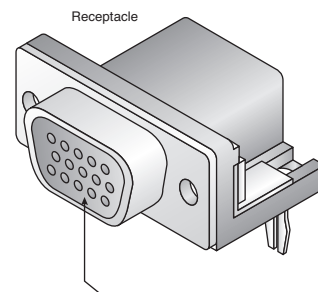
- PCB Mount - .350" Footprint
- Grounding board locks
- Riveted threaded inserts
- Shell: Steel, Tin plated
- Insulator: PBT Thermoplastic with glass-fiber reinforcement, UL94V-0 rated
- Color: Blue
- Contact Material: Plug: Brass; Socket: Phosphor Bronze
- Contact Plating: Gold flash on mating end with Nickel underplate on entire contact, Tin over Nickel on termination end
- Current Rating: 2A
- Voltage Rating: 30V RMS
- Insulation Resistance: more than 1000MΩ
- Operating Temperature: -55°C to +105°C
- RoHS Compliance per Kycon Documentation

Features:

- Pin# 9 recessed 0.050" for last mate/first break on 5V supply voltage
- EMI/RFI noise suppression in data communication lines
- Cost effective way to meet FCC and VDE Class B requirements
- Does not require any more board space than a standard D-Sub

Ferrite filters provide an easy and efficient way of reducing both radiated and conducted interference. KYCON uses a medium permeability nickel zinc ferrite material that is effective at attenuating frequencies above 30 MHz.

Ferrite Specifications		
Test Frequency	Outer Row	Inner Row
30 MHz	20-23 Ohms	31-38 Ohms
50 MHz	24-27 Ohms	37-43 Ohms
100 MHz	29-31 Ohms	41-48 Ohms



Blue color signifies 5V capability and full feature AccessBus capability.

For quantities greater than listed, call for quote.

MOUSER STOCK NO.	Kycon Part No.	No. of Pos.	Type	Description	Price Each			
					1	25	50	100
806-KF66X-E15S-NVESA	KF66X-E15S-N-VESA	15	Receptacle	Threaded Inserts	3,42	3,02	2,71	2,44
806-KF66X-E15SNJVESA	KF66X-E15S-NJ-VESA	15	Receptacle	4-40 Hex. Jack Screws Installed	4,57	4,35	3,19	2,81

NORCOMP IP67 SEAL-D™ D-Sub Connectors



NorComp has developed a new line of IP67 SEAL-D™ D-Subs. These connectors utilize a proprietary sealing technology which maintains the same physical size and footprint as standard D-Sub products. This reduces space on new designs, and eliminates the need to redesign enclosures and PC boards when implementing IP67 design upgrades.

Specifications:

- Voltage: 500VAC for 1 minute
- Current rating: 5 AMPS
- Contact resistance: 15mOhms Max.
- Operating temperature: -50°C to 100°C
- Wire size for solder cup termination: 26-20 AWG
- Meets IEC-529-IP67 Requirements

Applications:

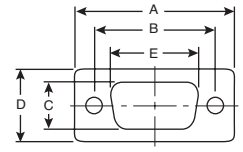
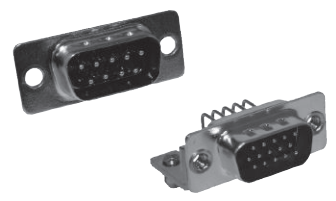
- Hand held computers, scanners & printers that are used outdoors
- Remote sensors, gauges & data loggers that are exposed to the elements
- Industrial & medical equipment that is subject to wash down
- Transmitters & emergency beacons that are subject to short term immersion
- Gas, electric & water metering systems with embedded Smart Grid electronics
- Consumer & commercial shipboard electronics, meters and sensors



SOLDER CUP - 772-E SERIES

For quantities greater than listed, call for quote.

MOUSER STOCK NO.	NorComp Part No.	Fig.	No. of Pos.	Dimensions (in.)					Price Each				
				A	B	C	D	E	1	10	25	50	100
Male													
636-772-E09-103R001	772-E09-103R001	A	9	1.213	0.984	0.329	0.496	0.666	5,78	4,41	4,18	4,04	3,67
636-772-E15-103R001	772-E15-103R001	A	15	1.541	1.312	0.329	0.496	0.994	6,95	5,31	5,03	4,87	4,42
636-772-E25-103R001	772-E25-103R001	A	25	2.083	1.874	0.329	0.496	1.534	9,03	6,90	6,54	6,33	5,75
Female													
636-772-E09-203R001	772-E09-203R001	A	9	1.213	0.984	0.311	0.496	0.642	7,33	5,59	5,30	5,13	4,66
636-772-E15-203R001	772-E15-203R001	A	15	1.541	1.312	0.311	0.496	0.970	9,17	7,00	6,64	6,42	5,84
636-772-E25-203R001	772-E25-203R001	A	25	2.083	1.874	0.311	0.496	1.512	11,61	8,85	8,42	8,04	7,57

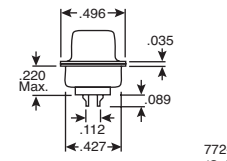


VERTICAL PCB - 772-E SERIES

For quantities greater than listed, call for quote.

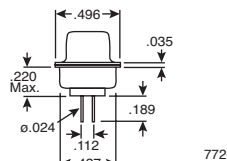
MOUSER STOCK NO.	NorComp Part No.	Fig.	No. of Pos.	Dimensions (in.)					Price Each				
				A	B	C	D	E	1	10	25	50	100
Male													
636-772-E09-113R001	772-E09-113R001	B	9	1.213	0.984	0.329	0.496	0.666	5,63	4,31	4,08	3,94	3,59
636-772-E15-113R001	772-E15-113R001	B	15	1.541	1.312	0.329	0.496	0.994	6,74	5,15	4,88	4,72	4,29
636-772-E25-113R001	772-E25-113R001	B	25	2.087	1.852	0.329	0.496	1.534	8,70	6,64	6,30	6,09	5,54
Female													
636-772-E09-213R001	772-E09-213R001	B	9	1.213	0.984	0.329	0.496	0.666	7,11	5,43	5,15	4,97	4,52
636-772-E15-213R001	772-E15-213R001	B	15	1.541	1.312	0.329	0.496	0.994	8,76	6,69	6,34	6,13	5,58
636-772-E25-213R001	772-E25-213R001	B	25	2.087	1.852	0.329	0.496	1.534	11,04	8,42	8,01	7,64	7,19

A



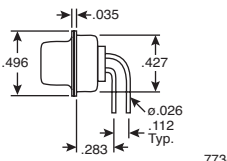
772-E Series (Solder Cup)

B



772-E Series (Vertical PCB)

C



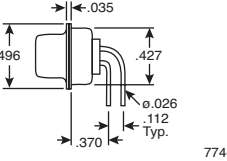
772-E Series

RIGHT ANGLE PCB - 773-E & 774-E SERIES

For quantities greater than listed, call for quote.

MOUSER STOCK NO.	NorComp Part No.	Fig.	No. of Pos.	Dimensions (in.)					Price Each				
				A	B	C	D	E	1	10	25	50	100
Male - 0.283" Foot Print													
636-773-E09-113R001	773-E09-113R001	C	9	1.213	0.984	0.329	0.496	0.666	6,17	4,71	4,46	4,31	3,93
636-773-E15-113R001	773-E15-113R001	C	15	1.541	1.312	0.329	0.496	0.994	7,13	5,45	5,16	4,99	4,54
636-773-E25-113R001	773-E25-113R001	C	25	2.087	1.852	0.329	0.496	1.534	9,45	7,22	6,84	6,62	6,01
Male - 0.370" Foot Print													
636-774-E09-113R001	774-E09-113R001	D	9	1.213	0.984	0.329	0.496	0.666	6,17	4,71	4,46	4,31	3,93
636-774-E15-113R001	774-E15-113R001	D	15	1.541	1.312	0.329	0.496	0.994	7,13	5,45	5,16	4,99	4,54
636-774-E25-113R001	774-E25-113R001	D	25	2.087	1.852	0.329	0.496	1.534	9,45	7,22	6,84	6,62	6,01

D



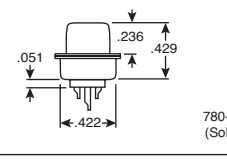
774-E Series

SOLDER CUP HIGH DENSITY - 780-M SERIES

For quantities greater than listed, call for quote.

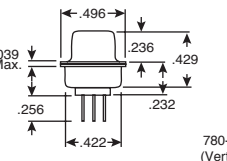
MOUSER STOCK NO.	NorComp Part No.	Fig.	No. of Pos.	Dimensions (in.)					Price Each				
				A	B	C	D	E	1	10	25	50	100
Male													
636-780-M15-103L001	780-M15-103L001	E	15	1.213	0.984	0.329	0.496	0.666	6,43	4,91	4,65	4,50	4,08
636-780-M26-103L001	780-M26-103L001	E	26	1.541	1.312	0.329	0.496	0.994	8,72	6,66	6,32	6,11	5,55
636-780-M44-103L001	780-M44-103L001	E	44	2.087	1.852	0.329	0.496	1.534	11,25	8,59	8,17	7,80	7,34
Female													
636-780-M15-203L001	780-M15-203L001	E	15	1.213	0.984	0.381	0.494	0.643	9,25	7,06	6,70	6,48	5,89
636-780-M26-203L001	780-M26-203L001	E	26	1.541	1.312	0.381	0.494	0.971	11,25	8,59	8,17	7,80	7,34
636-780-M44-203L001	780-M44-203L001	E	44	2.088	1.852	0.381	0.494	1.511	16,19	12,35	11,75	11,20	10,56

E



780-M Series (Solder Cup)

F



780-M Series (Vertical PCB)

VERTICAL PCB HIGH DENSITY - 780-M SERIES

For quantities greater than listed, call for quote.

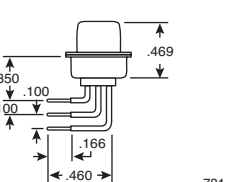
MOUSER STOCK NO.	NorComp Part No.	Fig.	No. of Pos.	Dimensions (in.)					Price Each				
				A	B	C	D	E	1	10	25	50	100
Male													
636-780-M15-113R001	780-M15-113R001	F	15	1.213	0.984	0.329	0.494	0.666	7,00	5,34	5,07	4,89	4,45
636-780-M26-113R001	780-M26-113R001	F	26	1.541	1.312	0.329	0.494	0.994	8,86	6,77	6,42	6,20	5,63
636-780-M44-113R001	780-M44-113R001	F	44	2.088	1.852	0.329	0.494	1.534	11,00	8,39	7,99	7,61	7,18
Female													
636-780-M15-213R001	780-M15-213R001	F	15	1.213	0.984	0.311	0.494	0.643	8,82	6,73	6,39	6,17	5,61
636-780-M26-213R001	780-M26-213R001	F	26	1.541	1.312	0.311	0.494	0.971	10,62	8,09	7,71	7,35	6,92
636-780-M44-213R001	780-M44-213R001	F	44	2.088	1.852	0.311	0.494	1.511	15,02	11,45	10,90	10,40	9,79

RIGHT ANGLE PCB HIGH DENSITY- 781-M SERIES

For quantities greater than listed, call for quote.

MOUSER STOCK NO.	NorComp Part No.	Fig.	No. of Pos.	Dimensions (in.)					Price Each				
				A	B	C	D	E	1	10	25	50	100
Male													
636-781-M15-113R141	781-M15-113R141	G	15	1.213	0.984	0.329	0.494	0.666	8,88	6,78	6,43	6,21	5,65
636-781-M26-113R141	781-M26-113R141	G	26	1.541	1.312	0.329	0.494	0.994	11,49	8,77	8,34	7,96	7,50
636-781-M44-113R141	781-M44-113R141	G	44	2.088	1.852	0.329	0.494	1.534	15,75	12,01	11,43	10,91	10,27

G



781-M Series

HARDWARE

For quantities greater than listed, call for quote.

MOUSER STOCK NO.	NorComp Part No.	Description	Price Each				
			1	10	25	50	100
636-SF6709	SF6709	Removable Seal for Std 9 / HD15 Position D-Sub	0,97	0,578	0,546	0,509	0,472
636-SF6715	SF6715	Removable Seal for Std 15 / HD26 Position D-Sub	1,24	0,734	0,696	0,653	0,609
636-SF6725	SF6725	Removable Seal for Std 25 / HD44 Position D-Sub	1,31	0,842	0,80	0,767	0,701
636-160-067-010R033	160-067-010R033	IP67 Panel Mounting Kit Contains: 2 - 4-40 UNC-2B Mounting Screws; 2 Teflon Flat Washers; 2 - 4-40 Flat Washers; 2 - 4-40 Lock Washers; 2 - 4-40 Nuts	1,41	0,842	0,808	0,77	0,731

NORCOMP D-Sub Connectors



This product is RoHS compliant.

SERIES 170 CRIMP AND POKE D-SUB CONNECTORS

Specifications:

- Shell: Steel, nickel plated
- Insulator: Glass-filled thermoplastic, UL94V-0
- Contact current rating: 5 amps

Features:

- RoHS Compliance per NorComp documentation (Low Temperature Material)
- Allows for easy loading of only the positions required using Crimp and Snap-in contacts (sold separately)

For quantities greater than listed, call for quote.

MOUSER STOCK NO.	NorComp Part No.	Fig.	No. of Positions	Type	Dimensions (in.)				Price Each			
					A	B	C	D	1	25	50	100
636-170-009-173L000	170-009-173L000	A	9	Male	1.213	0.984	0.666	0.329	0,64	0,549	0,502	0,463
636-170-015-173L000	170-015-173L000	A	15	Male	1.543	1.312	0.994	0.329	0,73	0,684	0,556	0,502
636-170-025-173L000	170-025-173L000	A	25	Male	2.087	1.852	1.534	0.329	0,70	0,598	0,555	0,504
636-170-037-173L000	170-037-173L000	A	37	Male	2.732	2.500	2.181	0.329	1,38	1,23	1,09	0,957
636-170-050-173L000	170-050-173L000	A	50	Male	2.638	2.406	2.079	0.436	4,02	3,13	2,85	2,57
636-170-009-273L000	170-009-273L000	A	9	Female	1.213	0.984	0.642	0.311	0,67	0,563	0,526	0,471
636-170-015-273L000	170-015-273L000	A	15	Female	1.543	1.312	0.971	0.311	0,74	0,639	0,587	0,534
636-170-025-273L000	170-025-273L000	A	25	Female	2.087	1.852	1.512	0.311	0,78	0,735	0,601	0,547
636-170-037-27L3000	170-037-273L000	A	37	Female	2.732	2.500	2.157	0.311	1,40	1,09	0,957	0,842

SERIES 170 CONTACTS

- Gold flash on mating area nickel on wire crimp
- Max. insulation diameter for 24-28 AWG is .035"

- RoHS Compliance per NorComp documentation

For quantities greater than listed, call for quote.

MOUSER STOCK NO.	NorComp Part No.	Fig.	Contact	Gender	A	B	C	D	1	25	50	100
636-170-101-170L001	170-101-170L001	B	Contact	Male	0.321	0.202	-	-	0,11	0,101	0,093	0,085
636-170-102-170L001	170-102-170L001	C	Contact	Female	0.312	0.230	0.063	-	0,12	0,109	0,101	0,093

SERIES 178, 179 AND 189 DUAL PORT D-SUB CONNECTORS

- Shell: Steel, nickel plated
- Insulator: Glass-filled thermoplastic, UL94V-0

- RoHS Compliance per NorComp documentation (High Temperature Material - 260°)
- Hardware: Four 4-40 female screw locks, 4 torxed board locks

For quantities greater than listed, call for quote.

*4-40 Inserts/Board Locks

MOUSER STOCK NO.	NorComp Part No.	Fig.	No. of Positions	Type	A	B	C	D	1	25	50	100
636-178-009-513R571	178-009-513R571	D	9	Fem/Fem	1.204	0.984	0.494	0.750	5,70	5,27	4,95	4,35
636-178-009-613R571	178-009-613R571	D	9	Male/Male	1.204	0.984	0.494	0.750	5,57	4,38	4,37	3,62
636-178-015-513R571	178-015-513R571	D	15	Fem/Fem	1.535	1.312	0.494	0.750	7,62	5,86	5,54	4,88
636-178-025-513R571	178-025-513R571	D	25	Fem/Fem	2.078	1.850	0.494	0.750	8,10	6,55	6,25	5,62
636-179-009-513R571	179-009-513R571	D	9	Fem/Fem	1.204	0.984	0.494	0.900	5,70	5,27	4,95	4,65
636-179-015-513R571	179-015-513R571	D	15	Fem/Fem	1.535	1.312	0.494	0.900	7,62	5,86	5,54	4,88
636-179-025-513R571	179-025-513R571	D	25	Fem/Fem	2.078	1.850	0.494	0.900	8,11	6,56	6,25	5,63
636-189-009-513R571	189-009-513R571	D	9	Fem/Fem	1.204	0.984	0.494	0.625	5,96	5,26	4,94	4,64
636-189-009-513R491	189-009-513R491	D	9	Fem/Fem	1.204	0.984	0.494	0.625	5,03	4,36	3,94	3,60
636-189-025-513R571	189-025-513R571	D	25	Fem/Fem	2.078	1.85	0.494	0.625	8,11	6,56	6,25	5,63

SERIES 182 AND 183 ECONOMY VERSION RIGHT ANGLE D-SUB CONNECTORS

- Shell: Steel, nickel plated
- Insulator: Glass-filled thermoplastic, UL94V-0
- Contacts: Brass or Phosphor Bronze

- RoHS Compliance per NorComp documentation (High Temperature Material - 260°)
- Hardware: Two 4-40 inserts on mating side and 2 torxed board locks
- Male shells have indents to provide grounding and additional retention
- Non-removable contacts

For quantities greater than listed, call for quote.

*Two 4-40 threaded inserts on mating side, inside ground straps

MOUSER STOCK NO.	NorComp Part No.	Fig.	No. of Positions	Type	A	B	C	D	1	25	50	100
636-182-009-113R531	182-009-113R531	E	9	Male	1.213	0.984	0.666	0.318	1,25	1,11	0,982	0,858
636-182-015-113R531	182-015-113R531	E	15	Male	1.541	1.312	0.994	0.318	1,44	1,21	1,11	0,99
636-182-025-113R531	182-025-113R531	E	25	Male	2.088	1.852	1.534	0.318	1,80	1,51	1,41	1,22
636-182-037-113R531	182-037-113R531	E	37	Male	2.729	2.500	2.181	0.318	2,48	1,97	1,93	1,60
636-182-009-213R171	182-009-213R171	E	9	Female	1.213	0.984	0.642	0.318	1,32	1,11	1,03	0,899
636-182-009-213R531	182-009-213R531	E	9	Female	1.213	0.984	0.642	0.318	1,31	1,10	1,03	0,899
636-182-015-213R531	182-015-213R531	E	15	Female	1.541	1.312	0.971	0.318	1,54	1,31	1,16	1,05
636-182-025-213R531	182-025-213R531	E	25	Female	2.088	1.852	1.512	0.318	1,86	1,55	1,44	1,26
636-182-037-213R531	182-037-213R531	E	37	Female	2.729	2.500	2.157	0.318	2,58	2,03	1,88	1,68
636-183-009-113R531	183-009-113R531	E	9	Male	1.213	0.984	0.666	0.590	3,00	2,37	2,26	1,96
636-183-025-113R531	183-025-113R531	E	25	Male	2.088	1.852	1.534	0.590	3,93	3,05	2,86	2,50
636-183-009-213R531	183-009-213R531	E	9	Female	1.213	0.984	0.642	0.590	2,92	2,31	2,21	1,90
636-183-015-213R531	183-015-213R531	E	15	Female	1.541	1.312	0.971	0.590	3,42	2,67	2,50	2,19
636-183-025-213R531	183-025-213R531	E	25	Female	2.088	1.852	1.512	0.590	4,15	3,23	3,03	2,64
636-183-037-213R531	183-037-213R531	E	37	Female	2.729	2.500	2.157	0.590	6,10	4,54	4,27	3,75

SERIES 180 HIGH DENSITY CRIMP AND POKE

- Shell: Steel, nickel plated
- Insulator: Glass-filled thermoplastic, UL94V-0

- RoHS Compliance per NorComp documentation (Low Temperature Material)
- Male shells have indents to provide grounding and additional retention

For quantities greater than listed, call for quote.

MOUSER STOCK NO.	NorComp Part No.	Fig.	No. of Positions	Type	A	B	C	D	1	25	50	100
636-180-015-173L000	180-015-173L000	F	15	Male	1.213	0.984	0.666	0.329	1,55	1,49	1,21	1,06
636-180-026-173L000	180-026-173L000	F	26	Male	1.543	1.312	0.994	0.329	3,07	2,31	2,20	1,90
636-180-044-173L000	180-044-173L000	F	44	Male	2.087	1.852	1.534	0.329	3,75	2,77	2,53	2,29
636-180-062-173L000	180-062-173L000	F	62	Male	2.732	2.500	2.181	0.329	4,87	3,65	3,35	3,04
636-180-078-173L000	180-078-173L000	F	78	Male	2.803	2.406	2.079	0.445	10,86	8,35	7,67	7,00
636-180-015-273L000	180-015-273L000	F	15	Female	1.213	0.984	0.644	0.311	1,55	1,49	1,21	1,06
636-180-026-273L000	180-026-273L000	F	26	Female	1.543	1.312	0.966	0.311	3,25	3,07	2,74	2,09
636-180-044-273L000	180-044-273L000	F	44	Female	2.087	1.852	1.512	0.311	4,21	3,11	2,92	2,57
636-180-062-273L000	180-062-273L000	F	62	Female	2.732	2.500	2.156	0.311	5,73	4,13	3,78	3,44
636-180-078-273L000	180-078-273L000	F	78	Female	2.083	2.406	2.057	0.429	14,87	13,54	12,08	9,20

SERIES 180 CONTACTS

- Plating: Gold flash over 50 μ" nickel
- Wire size: 22 - 26 AWG

- RoHS Compliance per NorComp documentation

For quantities greater than listed, call for quote.

MOUSER STOCK NO.	NorComp Part No.	Fig.	Contact	Gender	A	B	C	D	1	25	50	100
636-180-101-170L001	180-101-170L001	G	Contact	Male	0.276	0.240	-	-	0,11	0,103	0,093	0,083
636-180-102-170L001	180-102-170L001	H	Contact	Female	0.248	0.240	0.0512	-	0,11	0,103	0,092	0,083

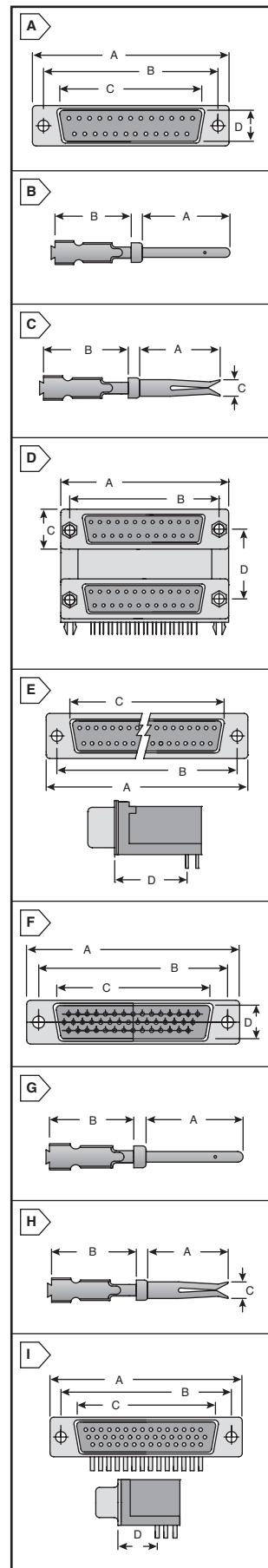
SERIES 181 HIGH DENSITY RIGHT ANGLE D-SUB CONNECTORS

- Shell: Steel, nickel plated
- Insulator: Glass-filled thermoplastic, UL94V-0

- RoHS Compliance per NorComp documentation (High Temperature Material - 260°)
- Two 4-40 threaded inserts on mating side, inside ground straps

For quantities greater than listed, call for quote.

MOUSER STOCK NO.	NorComp Part No.	Fig.	No. of Positions	Type	A	B	C	D	1	25	50	100
636-181-015-213R171	181-015-213R171	I	15	Female	1.213	0.984	0.644	0.350	2,62	2,09	2,05	1,70
636-181-026-213R171	181-026-213R171	I	26	Female	1.543	1.312	0.966	0.350	6,95	5,16	4,78	4,34
636-181-044-213R171	181-044-213R171	I	44	Female	2.087	1.852	1.512	0.350	7,49	5,60	4,73	4,68
636-181-062-213R171	181-062-213R171	I	62	Female	2.732	2.500	2.156	0.350	9,84	7,57	6,95	6,34



"D" Connectors

NorComp

NORCOMP Stamped Contact D-Sub Connectors

RoHS Compliant This product is RoHS compliant.

SOLDER CUP - SERIES 171

Specifications:

- Nickel Shell
- Insulator: Glass-filled thermoplastic, UL94V-0
- Contacts: Male- Brass Pins; Female- Phosphor Bronze Pins
- Plating: Gold flash on the entire contact

Features:

- RoHS Compliant per NorComp documentation
- Non-removable contacts
- Low cost economy series
- Male nickel shells have indents to provide grounding and additional retention
- High performance, stamped contacts

For quantities greater than listed, call for quote.

MOUSER STOCK NO.	NorComp Part No.	Fig.	No. of Pos.	Dimensions (in.)					Price Each			
				A	B	C	D	E	1	25	50	100
Male												
636-171-009-103L001	171-009-103L001	A	9	1.213	0.984	0.666	0.756	0.496	0,58	0,49	0,446	0,409
636-171-015-103L001	171-015-103L001	A	15	1.543	1.312	0.994	1.091	0.496	0,78	0,673	0,624	0,559
636-171-025-103L001	171-025-103L001	A	25	2.087	1.852	1.534	1.618	0.496	0,93	0,797	0,727	0,639
636-171-037-103L001	171-037-103L001	A	37	2.732	2.500	2.181	2.256	0.496	1,67	1,40	1,30	1,14
636-171-050-103L001	171-050-103L001	A	50	2.638	2.406	2.079	2.169	0.602	3,32	2,56	2,43	2,11
Female												
636-171-009-203L001	171-009-203L001	A	9	1.213	0.984	0.666	0.756	0.496	0,60	0,503	0,47	0,421
636-171-015-203L001	171-015-203L001	A	15	1.543	1.312	0.994	1.091	0.496	0,97	0,825	0,765	0,681
636-171-025-203L001	171-025-203L001	A	25	2.087	1.852	1.534	1.618	0.496	1,09	0,916	0,85	0,741
636-171-037-203L001	171-037-203L001	A	37	2.732	2.500	2.181	2.256	0.496	1,97	1,64	1,53	1,29
636-171-050-203L001	171-050-203L001	A	50	2.638	2.406	2.079	2.169	0.602	3,62	2,79	2,54	2,32

DIP SOLDER - SERIES 171

Specifications:

- Shell: Nickel Plated Steel
- Insulator: Glass-filled thermoplastic, UL94V-0
- Contacts: Male- Brass Pins; Female- Phosphor Bronze Pins
- Plating: Gold flash on the entire contact

Features:

- RoHS Compliant per NorComp documentation
- Non-removable contacts
- Male nickel shells have indents to provide grounding and additional retention
- High performance, stamped contacts

For quantities greater than listed, call for quote.

MOUSER STOCK NO.	NorComp Part No.	Fig.	No. of Pos.	Dimensions (in.)					Price Each			
				A	B	C	D	E	1	25	50	100
Male												
636-171-009-113R001	171-009-113R001	B	9	1.213	0.984	0.666	0.756	0.496	0,89	0,759	0,694	0,612
636-171-015-113R001	171-015-113R001	B	15	1.543	1.312	0.994	1.091	0.496	1,44	1,21	1,13	0,957
636-171-025-113R001	171-025-113R001	B	25	2.087	1.852	1.534	1.618	0.496	1,92	1,57	1,41	1,25
636-171-037-113R001	171-037-113R001	B	37	2.732	2.500	2.181	2.256	0.496	3,49	2,66	2,49	2,19
Female												
636-171-009-213R001	171-009-213R001	B	9	1.213	0.984	0.666	0.756	0.496	1,06	0,875	0,809	0,712
636-171-015-213R001	171-015-213R001	B	15	1.543	1.312	0.994	1.091	0.496	1,24	1,08	0,982	0,858
636-171-025-213R001	171-025-213R001	B	25	2.087	1.852	1.534	1.618	0.496	1,55	1,32	1,21	1,07
636-171-037-213R001	171-037-213R001	B	37	2.732	2.500	2.181	2.256	0.496	2,48	1,95	1,77	1,60

SOLDER CUP HIGH DENSITY - SERIES 180

Specifications:

- Shell: Nickel Plated Steel
- Insulator: Glass-filled thermoplastic, UL94V-0
- Contacts: Male - Brass Pins, Female - Phosphor Bronze Pins
- Plating: Gold flash on the entire contact

Features:

- RoHS Compliant per NorComp documentation
- Interfaces with IBM PS/2
- Approximately 65% higher density than standard D-Subs
- Connectors will fit in standard D-sub backshells

For quantities greater than listed, call for quote.

MOUSER STOCK NO.	NorComp Part No.	Fig.	No. of Pos.	Dimensions (in.)					Price Each			
				A	B	C	D	E	1	25	50	100
Male												
636-180-015-103L001	180-015-103L001	C	15	1.213	0.984	0.666	0.756	0.496	1,73	1,44	1,36	1,17
636-180-026-103L001	180-026-103L001	C	26	1.543	1.312	0.994	1.091	0.496	2,68	1,98	1,96	1,63
636-180-044-103L001	180-044-103L001	C	44	2.087	1.852	1.534	1.618	0.496	6,48	4,83	4,52	4,06
636-180-062-103L001	180-062-103L001	C	62	2.732	2.500	2.181	2.256	0.496	4,39	3,20	3,05	2,75
636-180-078-103L001	180-078-103L001	C	78	2.638	2.406	2.079	2.169	0.606	8,47	6,36	6,00	5,30
Female												
636-180-015-203L001	180-015-203L001	C	15	1.213	0.984	0.666	0.756	0.496	2,05	1,67	1,56	1,30
636-180-026-203L001	180-026-203L001	C	26	1.543	1.312	0.994	1.091	0.496	2,83	2,68	2,39	1,82
636-180-044-203L001	180-044-203L001	C	44	2.087	1.852	1.534	1.618	0.496	7,51	5,63	5,31	4,70
636-180-062-203L001	180-062-203L001	C	62	2.732	2.500	2.181	2.256	0.496	4,41	3,36	3,13	2,88
636-180-078-203L001	180-078-203L001	C	78	2.638	2.406	2.079	2.169	0.606	7,39	5,28	4,77	4,43

VERTICAL DIP HIGH DENSITY - SERIES 180

Specifications:

- Shell: Nickel Plated Steel
- Insulator: Glass-filled thermoplastic, UL94V-0
- Contacts: Male - Brass Pins, Female - Phosphor Bronze Pins

Features:

- RoHS Compliant per NorComp documentation
- Interfaces with IBM PS/2
- Approximately 65% higher density than standard D-Subs

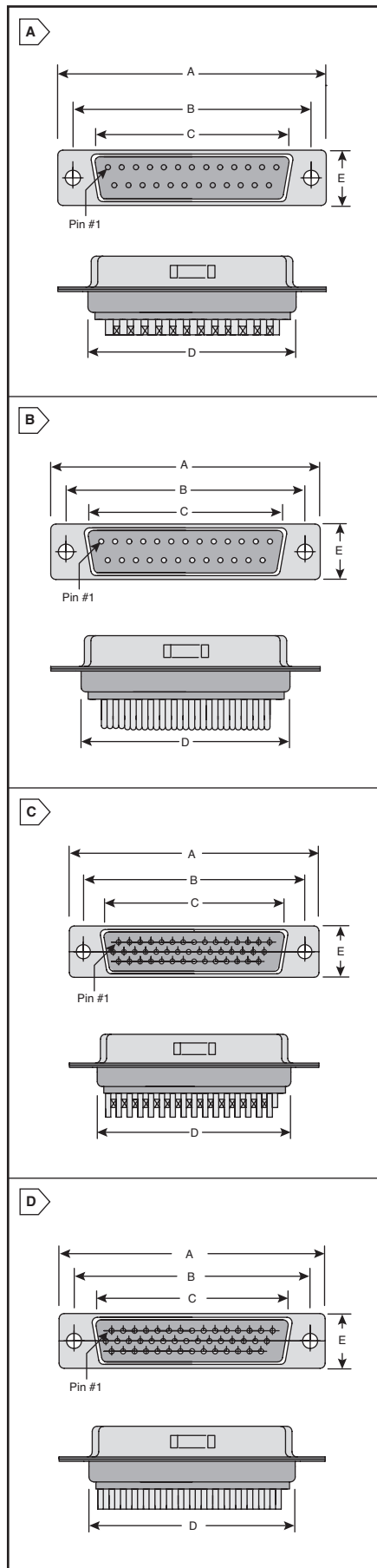
*0,225" 4-40 Spacer/Board Lock

For quantities greater than listed, call for quote.

MOUSER STOCK NO.	NorComp Part No.	Fig.	No. of Pos.	Dimensions (in.)					Price Each			
				A	B	C	D	E	1	25	50	100
Male												
636-180-015-113R001	180-015-113R001	D	15	1.213	0.984	0.666	0.756	0.496	1,77	1,49	1,38	1,20
636-180-026-113R001	180-026-113R001	D	26	1.543	1.312	0.994	1.091	0.496	2,83	2,19	2,15	1,79
636-180-044-113R001	180-044-113R001	D	44	2.087	1.852	1.534	1.618	0.496	4,89	3,67	3,37	3,03
636-180-062-113R001	180-062-113R001	D	62	2.732	2.500	2.181	2.256	0.496	6,27	4,79	4,51	3,98
Female												
636-180-015-213R001	180-015-213R001	D	15	1.213	0.984	0.666	0.756	0.496	1,67	1,46	1,35	1,13
* 636-180-015-213R911	180-015-213R911	D	15	1.213	0.984	0.666	0.756	0.496	3,01	2,57	2,37	2,16
636-180-026-213R001	180-026-213R001	D	26	1.543	1.312	0.994	1.091	0.496	3,26	2,42	2,20	1,98
636-180-026-213R911	180-026-213R911	D	26	1.543	1.312	0.994	1.091	0.496	4,13	3,51	3,23	2,95
636-180-044-213R001	180-044-213R001	D	44	2.087	1.852	1.534	1.618	0.496	5,04	3,69	3,35	3,00
* 636-180-044-213R911	180-044-213R911	D	44	2.087	1.852	1.534	1.618	0.496	6,02	5,13	4,73	4,31
636-180-062-213R001	180-062-213R001	D	62	2.732	2.500	2.181	2.256	0.496	6,44	4,83	4,43	4,03

© Copyright 2012 Mouser Electronics

© Copyright 2012 Mouser Electronics



NORCOMP Machined Contact D-Sub Connectors



SERIES 172 MACHINED CONTACT D-SUB CONNECTORS

Specifications:

- Insulator: Glass-filled thermoplastic, UL94V-0
- Shell: Steel, plated with nickel
- Machined Contacts: Brass male and female pins
- Plating: Gold flash over entire contact area

Features:

- Non-removable contacts
- Shells have indents to provide grounding and additional retention
- Screw machine contacts offer high reliability
- RoHS Compliant per NorComp documentation

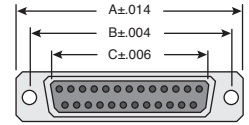
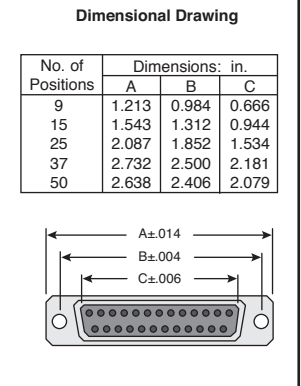


RoHS Compliant

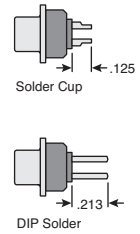
Solder Cup

For quantities greater than listed, call for quote.

MOUSER STOCK NO.	NorComp Part No.	No. of Positions	Type	Hardware	Price Each			
					1	25	50	100
636-172-E09-103R001	172-E09-103R001	9	Male	-	1,67	1,40	1,31	1,14
636-172-E09-203R001	172-E09-203R001	9	Female	-	1,90	1,57	1,49	1,25
636-172-E09-103R011	172-E09-103R011	9	Male	.098" Clinch Nuts, Board Side	2,43	2,25	1,91	1,66
636-172-E09-203R011	172-E09-203R011	9	Female	.098" Clinch Nuts, Board Side	2,66	2,13	2,09	1,73
636-172-E09-103R021	172-E09-103R021	9	Male	.250" Clinch Nuts, Board Side	2,43	2,25	1,91	1,66
636-172-E09-203R021	172-E09-203R021	9	Female	.250" Clinch Nuts, Board Side	2,66	2,13	2,09	1,73
636-172-E09-103R031	172-E09-103R031	9	Male	.250" Clinch Nuts, Mating Side	2,43	2,25	1,91	1,66
636-172-E09-203R031	172-E09-203R031	9	Female	.250" Clinch Nuts, Mating Side	2,66	2,13	2,09	1,73
636-172-E15-103R001	172-E15-103R001	15	Male	-	2,16	1,72	1,58	1,34
636-172-E15-203R001	172-E15-203R001	15	Female	-	2,56	2,02	1,90	1,67
636-172-E15-103R011	172-E15-103R011	15	Male	.098" Clinch Nuts, Board Side	2,87	2,29	2,25	1,87
636-172-E15-203R011	172-E15-203R011	15	Female	.098" Clinch Nuts, Board Side	3,30	2,57	2,34	2,07
636-172-E15-203R031	172-E15-203R031	15	Female	.250" Clinch Nuts, Mating Side	3,30	2,57	2,34	2,07
636-172-E25-103R001	172-E25-103R001	25	Male	-	2,83	2,19	2,15	1,79
636-172-E25-203R001	172-E25-203R001	25	Female	-	4,40	3,36	3,12	2,80
636-172-E25-103R011	172-E25-103R011	25	Male	.098" Clinch Nuts, Board Side	3,71	2,72	2,48	2,23
636-172-E25-203R011	172-E25-203R011	25	Female	.098" Clinch Nuts, Board Side	5,10	3,73	3,38	3,04
636-172-E25-103R021	172-E25-103R021	25	Male	.250" Clinch Nuts, Board Side	3,71	2,72	2,48	2,23
636-172-E25-203R021	172-E25-103R021	25	Female	.250" Clinch Nuts, Board Side	5,10	3,73	3,38	3,04
636-172-E25-103R031	172-E25-103R031	25	Male	.250" Clinch Nuts, Mating Side	3,71	2,72	2,48	2,23
636-172-E25-203R031	172-E25-203R031	25	Female	.250" Clinch Nuts, Mating Side	5,11	3,74	3,39	3,04
636-172-E37-103R001	172-E37-103R001	37	Male	.098" Clinch Nuts, Board Side	4,08	3,18	2,90	2,62
636-172-E37-203R001	172-E37-203R001	37	Female	.098" Clinch Nuts, Board Side	5,10	3,87	3,76	3,16
636-172-E37-203R011	172-E37-203R011	37	Female	.098" Clinch Nuts, Board Side	5,86	4,33	4,08	3,59
636-172-E50-103R001	172-E50-103R001	50	Male	-	7,75	5,58	5,12	4,65
636-172-E50-203R001	172-E50-203R001	50	Female	-	9,12	6,95	6,61	5,96
636-172-E50-103R011	172-E50-103R011	50	Male	.098" Clinch Nuts, Board Side	7,56	5,68	5,20	4,73



Termination

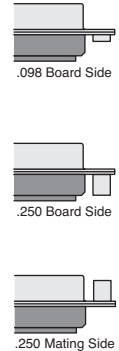


Dip Solder - PCB Mount

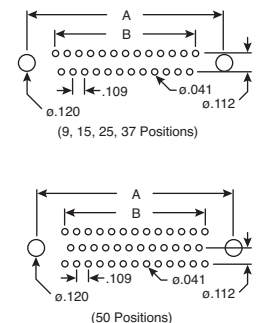
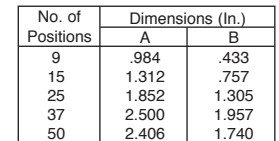
For quantities greater than listed, call for quote.

MOUSER STOCK NO.	NorComp Part No.	No. of Positions	Type	Hardware	Price Each			
					1	25	50	100
636-172-E09-113R001	172-E09-113R001	9	Male	-	1,82	1,50	1,42	1,24
636-172-E09-213R001	172-E09-213R001	9	Female	-	2,27	1,82	1,78	1,48
636-172-E09-113R011	172-E09-113R011	9	Male	.237" Spacer/Boardlock	3,14	2,39	2,27	2,00
636-172-E09-113R021	172-E09-113R021	9	Male	.098" Clinch Nuts, Board Side	2,62	2,10	1,97	1,71
636-172-E09-213R011	172-E09-213R011	9	Female	.098" Clinch Nuts, Board Side	3,05	2,44	2,39	1,99
636-172-E09-113R021	172-E09-113R021	9	Male	.250" Clinch Nuts, Board Side	2,62	2,06	2,00	1,70
636-172-E09-213R021	172-E09-213R021	9	Female	.250" Clinch Nuts, Board Side	3,05	2,39	2,27	1,99
636-172-E09-113R031	172-E09-113R031	9	Male	.250" Clinch Nuts, Mating Side	2,62	2,10	1,97	1,71
636-172-E09-213R031	172-E09-213R031	9	Female	.250" Clinch Nuts, Mating Side	3,05	2,44	2,39	1,99
636-172-E15-113R001	172-E15-113R001	15	Male	-	2,43	2,25	1,91	1,66
636-172-E15-213R001	172-E15-213R001	15	Female	-	3,46	2,66	2,49	2,20
636-172-E15-113R011	172-E15-113R011	15	Male	.098" Clinch Nuts, Board Side	3,22	2,51	2,29	2,06
636-172-E15-213R011	172-E15-213R011	15	Female	.098" Clinch Nuts, Board Side	4,61	3,33	3,04	2,73
636-172-E15-113R021	172-E15-113R021	15	Male	.250" Clinch Nuts, Board Side	3,22	2,51	2,29	2,06
636-172-E15-213R021	172-E15-213R021	15	Female	.250" Clinch Nuts, Board Side	4,61	3,33	3,04	2,73
636-172-E15-213R031	172-E15-213R031	15	Female	.250" Clinch Nuts, Mating Side	4,62	3,34	3,04	2,74
636-172-E25-113R001	172-E25-113R001	25	Male	-	3,08	2,46	2,41	2,00
636-172-E25-213R001	172-E25-213R001	25	Female	-	4,59	3,36	3,14	2,74
636-172-E25-113R011	172-E25-113R011	25	Male	.098" Clinch Nuts, Board Side	3,92	2,96	2,70	2,34
636-172-E25-213R011	172-E25-213R011	25	Female	.098" Clinch Nuts, Board Side	5,49	4,06	3,71	3,36
636-172-E25-113R021	172-E25-113R021	25	Male	.250" Clinch Nuts, Board Side	3,92	2,96	2,70	2,34
636-172-E25-213R021	172-E25-213R021	25	Female	.250" Clinch Nuts, Board Side	5,49	4,06	3,83	3,36
636-172-E25-113R031	172-E25-113R031	25	Male	.250" Clinch Nuts, Mating Side	3,92	2,96	2,70	2,34
636-172-E25-213R031	172-E25-213R031	25	Female	.250" Clinch Nuts, Mating Side	4,06	4,02	3,79	3,35
636-172-E37-113R001	172-E37-113R001	37	Male	-	6,62	4,77	4,50	3,98
636-172-E37-213R001	172-E37-213R001	37	Female	-	6,62	4,77	4,50	3,98
636-172-E37-113R011	172-E37-113R011	37	Male	.098" Clinch Nuts, Board Side	7,11	5,33	4,89	4,45
636-172-E37-113R031	172-E37-113R031	37	Male	.250" Clinch Nuts, Mating Side	7,11	5,33	4,89	4,45
636-172-E37-213R031	172-E37-213R031	37	Female	.250" Clinch Nuts, Mating Side	7,11	5,33	4,89	4,45
636-172-E50-113R001	172-E50-113R001	50	Male	-	6,64	4,97	4,69	4,15
636-172-E50-113R011	172-E50-113R011	50	Male	.098" Clinch Nuts, Board Side	7,85	7,67	6,85	5,21
636-172-E50-213R011	172-E50-213R011	50	Female	.098" Clinch Nuts, Board Side	8,80	6,70	6,22	5,74
636-172-E50-213R021	172-E50-213R021	50	Female	.250" Clinch Nuts, Board Side	8,80	6,70	6,22	5,74

Clinch Nut Hardware



Foot Print



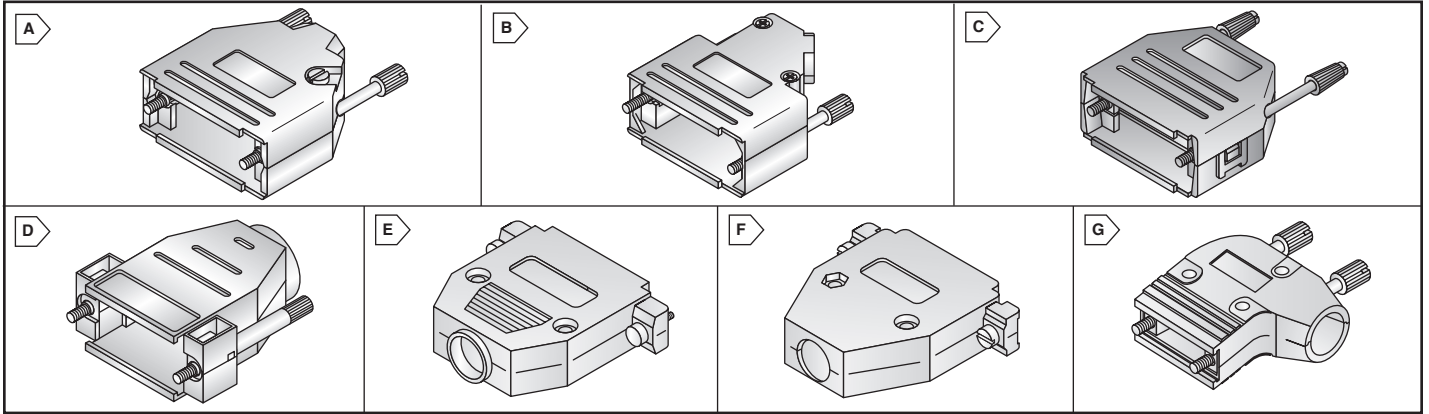
Wire Wrap

For quantities greater than listed, call for quote.

MOUSER STOCK NO.	NorComp Part No.	No. of Positions	Type	Hardware	Price Each			
					1	25	50	100
636-172-009-142R001	172-009-142R001	9	Male	-	2,62	2,06	1,93	1,68
636-172-009-242R001	172-009-242R001	9	Female	-	3,15	2,52	2,47	2,05
636-172-009-142R011	172-009-142R011	9	Male	.098" Clinch Nuts, Board Side	3,25	2,53	2,38	2,08
636-172-009-242R011	172-009-242R011	9	Female	.098" Clinch Nuts, Board Side	3,76	2,77	2,60	2,28
636-172-009-242R021	172-009-242R021	9	Female	.250" Clinch Nuts, Board Side	3,75	2,92	2,59	2,40
636-172-015-142R001	172-015-142R001	15	Male	-	4,40	3,42	3,19	2,81
636-172-015-242R001	172-015-242R001	15	Female	-	4,78	3,63	3,40	2,96
636-172-015-142R011	172-015-142R011	15	Male	.098" Clinch Nuts, Board Side	4,94	3,94	3,70	3,21
636-172-015-242R011	172-015-242R011	15	Female	.098" Clinch Nuts, Board Side	5,35	3,95	3,61	3,27
636-172-015-242R021	172-015-242R021	15	Female	.250" Clinch Nuts, Board Side	5,31	3,94	3,72	3,26
636-172-025-142R001	172-025-142R001	25	Male	-	6,45	4,79	4,50	3,96
636-172-025-242R021	172-025-242R021	25	Female	.250" Clinch Nuts, Board Side	8,74	6,66	6,32	5,70
636-172-037-242R001	172-037-242R001	37	Female	-	9,51	7,24	6,89	6,20

NORCOMP D-Sub Backshells

 This product is RoHS compliant.



D-SUB BACKSHELLS

- Perimeter sealing lips for secure assembly
- Die Cast Material: Lightweight zinc
- Die Cast Plating: Nickel over copper or black chromate
- Metalized Plastic Material: High temperature plastic UL94V-0
- Metalized Plastic Plating: Nickel over copper
- Plastic Material: High temperature plastic UL94V-2
- RoHS Compliant per NorComp documentation

970 and 971 Series Backshells

- Kit includes: (2) Backshell Halves, (2) 4-40 Thumbscrews, (2) Housing Screws, 2 pc. Grommet - Various sizes
- Fully tapped assembly holes allow easy assembly



RoHS Compliant

For quantities greater than listed, call for quote.

MOUSER STOCK NO.	NorComp Part No.	Fig.	D-Sub Size	Type	Price Each			
					1	25	50	100
Straight/Top Entry - 970 Series								
636-970-009-030R121	970-009-030R121	A	9	Die Cast - Nickel	4,43	3,31	3,09	2,74
636-970-009-040R011	970-009-040R011	A	9	Die Cast - Black	4,60	4,01	3,73	2,94
636-970-009-020R121	970-009-020R121	A	9	Metalized Plastic	4,13	3,23	3,03	2,65
636-970-009-010R011	970-009-010R011	A	9	Black Plastic	2,03	1,66	1,59	1,32
636-970-015-030R121	970-015-030R121	A	15	Die Cast - Nickel	5,29	4,02	3,93	3,28
636-970-015-040R011	970-015-040R011	A	15	Die Cast - Black	5,47	3,94	3,46	3,38
636-970-015-020R121	970-015-020R121	A	15	Metalized Plastic	4,31	3,32	3,23	2,76
636-970-015-010R011	970-015-010R011	A	15	Black Plastic	2,03	1,69	1,59	1,34
636-970-025-030R121	970-025-030R121	A	25	Die Cast - Nickel	5,29	3,94	3,73	3,28
636-970-025-040R011	970-025-040R011	A	25	Die Cast - Black	5,48	3,94	3,47	3,39
636-970-025-020R121	970-025-020R121	A	25	Metalized Plastic	4,49	3,37	3,20	2,78
636-970-025-010R011	970-025-010R011	A	25	Black Plastic	2,15	1,76	1,64	1,37
636-970-037-030R121	970-037-030R121	A	37	Die Cast - Nickel	7,65	5,68	5,25	4,78
636-970-037-040R011	970-037-040R011	A	37	Die Cast - Black	7,32	5,49	5,30	4,67
636-970-037-020R121	970-037-020R121	A	37	Metalized Plastic	4,69	3,51	3,30	2,90
636-970-037-010R011	970-037-010R011	A	37	Black Plastic	2,19	1,73	1,57	1,43

45° Entry - 971 Series

636-971-009-030R121	971-009-030R121	B	9	Die Cast - Nickel	4,43	3,31	3,08	2,74
636-971-009-040R011	971-009-040R011	B	9	Die Cast - Black	4,60	3,33	3,20	2,95
636-971-009-020R121	971-009-020R121	B	9	Metalized Plastic	4,13	3,23	3,03	2,64
636-971-009-010R011	971-009-010R011	B	9	Black Plastic	2,02	1,66	1,53	1,31
636-971-015-030R121	971-015-030R121	B	15	Die Cast - Nickel	5,28	3,94	3,70	3,27
636-971-015-040R011	971-015-040R011	B	15	Die Cast - Black	5,49	4,00	3,80	3,39
636-971-015-020R121	971-015-020R121	B	15	Metalized Plastic	4,31	3,36	3,16	2,76
636-971-015-010R011	971-015-010R011	B	15	Black Plastic	2,02	1,68	1,58	1,32
636-971-025-030R121	971-025-030R121	B	25	Die Cast - Nickel	5,29	3,94	3,71	3,28
636-971-025-040R011	971-025-040R011	B	25	Die Cast - Black	5,49	4,00	3,80	3,38
636-971-025-020R121	971-025-020R121	B	25	Metalized Plastic	4,48	3,37	3,17	2,77
636-971-025-010R011	971-025-010R011	B	25	Black Plastic	2,19	1,73	1,58	1,38
636-971-037-030R121	971-037-030R121	B	37	Die Cast - Nickel	7,73	5,80	5,48	4,83
636-971-037-040R011	971-037-040R011	B	37	Die Cast - Black	7,71	5,78	5,30	4,82
636-971-037-020R121	971-037-020R121	B	37	Metalized Plastic	4,97	3,77	3,54	3,08

Plastic Slim Line Clam Shell Style Backshells - Straight/Top Entry - 972 Series

- Kit includes: (1) Backshell, (2) 4-40 Thumbscrews, (1) Plastic Strain Relief, (1) Metal Strain Relief Clamp, (2) Strain Relief Screws
- Fast assembly cable clamp with high quality self-tapping screws
- "Slim Line" version for critical space requirements
- One piece clam construction aids assembly



RoHS Compliant

For quantities greater than listed, call for quote.

MOUSER STOCK NO.	NorComp Part No.	Fig.	D-Sub Size	Type	Price Each			
					1	25	50	100
636-972-009-01SR011	972-009-01SR011	C	9	Black Plastic	2,13	1,72	1,67	1,40
636-972-009-01SR031	972-009-01SR031	C	9	Gray Plastic	2,17	1,67	1,58	1,39
636-972-009-01SR061	972-009-01SR061	C	9	Red Plastic	2,13	1,72	1,67	1,40
636-972-009-01SR081	972-009-01SR081	C	9	Yellow Plastic	2,12	1,68	1,54	1,31
636-972-015-01SR011	972-015-01SR011	C	15	Black Plastic	2,23	1,67	1,51	1,35
636-972-015-01SR031	972-015-01SR031	C	15	Gray Plastic	2,23	1,67	1,51	1,35
636-972-025-01SR011	972-025-01SR011	C	25	Black Plastic	2,38	1,89	1,86	1,54
636-972-025-01SR031	972-025-01SR031	C	25	Gray Plastic	2,38	1,90	1,86	1,54
636-972-037-01SR011	972-037-01SR011	C	37	Black Plastic	2,54	2,00	1,84	1,65
636-972-037-01SR031	972-037-01SR031	C	37	Gray Plastic	2,61	2,04	1,91	1,66

Straight/Top Entry Backshells - 973 Series

- Kit includes: (2) Backshell Halves, (2) 4-40 Thumbscrews, (1) Metal Strain Relief Clamp, (2) Strain Relief Screws, (2) Housing Screws
- Metalized plastic provides up to 60 dB shielding



RoHS Compliant

For quantities greater than listed, call for quote.

MOUSER STOCK NO.	NorComp Part No.	Fig.	D-Sub Size	Type	Price Each			
					1	25	50	100
636-973-009-020R121	973-009-020R121	D	9	Metalized Plastic	5,50	4,04	3,93	3,38
636-973-009-010R011	973-009-010R011	D	9	Black Plastic	2,94	2,32	2,19	1,91
636-973-015-020R121	973-015-020R121	D	15	Metalized Plastic	5,73	4,25	4,16	3,51
636-973-015-010R011	973-015-010R011	D	15	Black Plastic	3,11	2,45	2,29	2,02
636-973-025-020R121	973-025-020R121	D	25	Metalized Plastic	6,48	4,81	4,51	3,97
636-973-025-010R011	973-025-010R011	D	25	Black Plastic	3,23	2,53	2,38	2,10
636-973-037-020R121	973-037-020R121	D	37	Metalized Plastic	7,63	5,73	5,40	4,78
636-973-037-010R011	973-037-010R011	D	37	Black Plastic	3,94	3,07	2,88	2,51

977/979/981 Series Backshells

- Specifications:**
- Plastic Material: High temperature plastic UL94V-2
 - Die Cast Material: Lightweight zinc
 - Die Cast Plating: Nickel over copper
 - Metalized Plastic Material: High temperature plastic UL94V-0
 - Metalized Plastic Plating: Nickel over copper
 - RoHS Compliant per NorComp documentation



RoHS Compliant

Top Entry - 977 and 979 Series

*with Grommet

For quantities greater than listed, call for quote.

MOUSER STOCK NO.	NorComp Part No.	Fig.	D-Sub Size	Type	Price Each			
					1	25	50	100
977 Series								
636-977-009-010R031	977-009-010R031	E	9	Gray Plastic	0,40	0,349	0,309	0,284
636-977-009-020R121	977-009-020R121	E	9	Metalized Plastic	0,58	0,511	0,442	0,408
636-977-015-010R031	977-015-010R031	E	15	Gray Plastic	0,50	0,449	0,39	0,365
636-977-015-020R121	977-015-020R121	E	15	Metalized Plastic	0,66	0,578	0,508	0,474
636-977-025-010R031	977-025-010R031	E	25	Gray Plastic	0,58	0,51	0,449	0,413
636-977-025-020R121	977-025-020R121	E	25	Metalized Plastic	0,88	0,771	0,672	0,629
636-977-037-010R031	977-037-010R031	E	37	Gray Plastic	0,75	0,666	0,582	0,54
636-977-037-020R121	977-037-020R121	E	37	Metalized Plastic	1,13	0,99	0,866	0,809
979 Series								
636-979-009-010R031	979-009-010R031	F	9	Black Plastic*	0,84	0,734	0,644	0,602
636-979-009-020R121	979-009-020R121	F	9	Metalized Plastic*	1,10	0,974	0,85	0,79
636-979-015-010R031	979-015-010R031	F	15	Black Plastic*	0,85	0,755	0,656	0,611
636-979-015-020R121	979-015-020R121	F	15	Metalized Plastic*	1,20	1,06	0,924	0,85
636-979-025-010R031	979-025-010R031	F	25	Black Plastic*	0,91	0,794	0,699	0,646
636-979-025-020R121	979-025-020R121	F	25	Metalized Plastic*	1,36	1,20	1,05	0,974

90° Entry - 981 Series



RoHS Compliant

For quantities greater than listed, call for quote.

MOUSER STOCK NO.	NorComp Part No.	Fig.	D-Sub Size	Type	Price Each			
					1	25	50	100
636-981-009-130R121	981-009-130R121	G	9	Die Cast w/Grommet & Thumbscrews	3,09	2,71	2,36	2,19
636-981-015-130R121	981-015-130R121	G	15	Die Cast w/Grommet & Thumbscrews	4,78	3,26	2,85	2,60
636-981-025-130R121	981-025-130R121	G	25	Die Cast w/Grommet & Thumbscrews	3,58	3,14	2,76	2,56

NORCOMP D-Sub Backshells and Hardware



D-SUB BACKSHELLS

Straight/Top Entry Backshells - 978 Series

- Kit includes: (2) Backshell Halves, (2) 4-40 Mounting Screws, (2) Saddle Washers, (2) Housing Screws, (2) 4-40 Housing Nuts, (1) Strain Relief Threaded Rod
- Metallized plastic provides up to 60 dB shielding
- Metallized Plastic Material: High temperature - UL94H-B
- Plastic: High temperature plastic - UL94H-B

- RoHS Compliant per NorComp documentation.
- RoHS Compliant
- Strain Relief design ensures secure fit no matter what cable diameter is used
- Metallized Plastic Plating: Chrome
- Perimeter sealing lips for secure assembly.

For quantities greater than listed, call for quote.

MOUSER STOCK NO.	NorComp Part No.	Fig.	D-Sub Size	Type	Price Each			
					1	25	50	100
636-978-009-010R031	978-009-010R031	A	9	Gray Plastic	1,07	0,916	0,842	0,747
636-978-009-020R121	978-009-020R121	A	9	Metallized Plastic	1,39	1,12	1,03	0,891
636-978-015-010R031	978-015-010R031	A	15	Gray Plastic	1,11	1,01	0,883	0,776
636-978-015-020R121	978-015-020R121	A	15	Metallized Plastic	1,59	1,24	1,15	1,01
636-978-025-010R031	978-025-010R031	A	25	Gray Plastic	1,18	1,06	0,924	0,809
636-978-025-020R121	978-025-020R121	A	25	Metallized Plastic	1,65	1,34	1,26	1,06
636-978-037-010R031	978-037-010R031	A	37	Gray Plastic	1,67	1,35	1,21	1,06
636-978-037-020R121	978-037-020R121	A	37	Metallized Plastic	2,08	1,77	1,63	1,49
636-978-050-010R031	978-050-010R031	A	50	Gray Plastic	1,74	1,40	1,25	1,11
636-978-050-020R121	978-050-020R121	A	50	Metallized Plastic	2,17	1,84	1,70	1,55

Top Entry Backshells - 979 Series

- Kit includes: (2) Backshell Halves, (2) 4-40 Mounting Screws, (2) Saddle Washers, (2) Housing Screws, (2) 4-40 Housing Nuts, (1) Grommet Tree - Various Sizes
- Die Cast Zinc backshell is nickel plated for over 70 dB shielding
- Perimeter sealing lips for secure assembly

- RoHS Compliant
- Backshell cable entry designed for sure grip on cable jacket or grommet and provide proper strain relief
- Non-conductive grommet/strain relief supplied to enhance EMI/RFI shielding

For quantities greater than listed, call for quote.

MOUSER STOCK NO.	NorComp Part No.	Fig.	D-Sub Size	Type	Price Each			
					1	25	50	100
636-979-009-030R121	979-009-030R121	B	9	Die Cast - Nickel	2,03	1,63	1,50	1,33
636-979-015-030R121	979-015-030R121	B	15	Die Cast - Nickel	2,61	2,04	1,93	1,68
636-979-025-030R121	979-025-030R121	B	25	Die Cast - Nickel	3,02	2,43	2,36	1,98
636-979-037-030R121	979-037-030R121	B	37	Die Cast - Nickel	4,11	3,16	3,02	2,62
636-979-050-030R121	979-050-030R121	B	50	Die Cast - Nickel	5,78	4,23	3,94	3,54

Straight/90° Backshells - 982 Series

- Kit includes: (2) Backshell Halves, (2) 4-40 Mounting Screws, (2) Strain Relief Clamps, (2) Strain Relief Screws, (1) Compression Spring, (1) Cable Slot Shut-Off, (1) Cable Slot Feed-Thru, (3) Housing Screws
- Metallized plastic provides up to 60 dB shielding
- Metallized Plastic Material: High temperature - UL94V-0
- Separate strain relief mechanism is useable in either top or 90 degree entry
- Perimeter sealing lips for secure assembly

- RoHS Compliant
- Metallized Plastic Plating: Electro-plated nickel over copper
- Gray Plastic Material: High temperature plastic - UL94V-0
- RoHS Compliant per NorComp documentation

For quantities greater than listed, call for quote.

MOUSER STOCK NO.	NorComp Part No.	Fig.	D-Sub Size	Type	Price Each			
					1	25	50	100
636-982-009-010R031	982-009-010R031	C	9	Gray Plastic	4,05	3,12	2,92	2,53
636-982-009-020R121	982-009-020R121	C	9	Metallized Plastic	7,33	5,43	5,10	4,49
636-982-015-010R031	982-015-010R031	C	15	Gray Plastic	4,59	3,57	3,35	2,93
636-982-015-020R121	982-015-020R121	C	15	Metallized Plastic	8,43	6,32	5,96	5,28
636-982-025-020R121	982-025-020R121	C	25	Metallized Plastic	8,95	6,72	6,34	5,61
636-982-050-010R031	982-050-010R031	C	50	Gray Plastic	5,73	4,34	4,08	3,54
636-982-050-020R121	982-050-020R121	C	50	Metallized Plastic	10,99	8,40	8,00	7,19

*9 position does not have 90 degree cable entry.

Straight Snap Backshells - 983 Series

- Kit includes: (2) Backshell Halves, (2) 4-40 Mounting Screws, (2) Saddle Washers, (1) Yoke, (2) Strain Relief Clamps, (2) Strain Relief Screws
- Metallized plastic provides up to 60 dB shielding
- Cable Clamp with self-tapping screws provide positive strain relief

- RoHS Compliant
- Gray Plastic Material: ABS Plastic - UL94V-0
- Metallized Plastic Material: ABS Plastic - UL94V-0
- Perimeter sealing lips for secure assembly
- Metallized Plastic Plating: Chrome
- May be used as "Gender Changer", pin-out changer or standard cable entry backshell

For quantities greater than listed, call for quote.

MOUSER STOCK NO.	NorComp Part No.	Fig.	D-Sub Size	Type	Price Each			
					1	25	50	100
636-983-009-010R031	983-009-010R031	D	9	Gray Plastic	1,04	0,908	0,80	0,705
636-983-009-020R121	983-009-020R121	D	9	Metallized Plastic	1,66	1,44	1,30	1,12
636-983-015-010R031	983-015-010R031	D	15	Gray Plastic	1,30	1,11	1,01	0,842
636-983-015-020R121	983-015-020R121	D	15	Metallized Plastic	1,82	1,53	1,44	1,25
636-983-025-010R031	983-025-010R031	D	25	Gray Plastic	1,48	1,27	1,15	0,982
636-983-025-020R121	983-025-020R121	D	25	Metallized Plastic	2,50	2,00	1,74	1,60

D-SUB HARDWARE

* Not RoHS Compliant RoHS Compliant For quantities greater than listed, call for quote.

MOUSER STOCK NO.	NorComp Part No.	Fig.	Description	Price Each			
				1	25	50	100
Non-conductive Rubber Grommets							
636-162-000-925R000	162-000-925R000	E	0.400" outside diameter	0,34	0,283	0,257	0,241
636-162-000-037R000	162-000-037R000	E	0.620" outside diameter	0,83	0,707	0,657	0,589
Dust Covers							
636-160-000-109R000	160-000-109R000	F	9 Pin, Male	0,49	0,394	0,359	0,333
636-160-000-209R000	160-000-209R000	F	9 Pin, Female	0,46	0,391	0,358	0,318
636-160-000-115R000	160-000-115R000	F	15 Pin, Male	0,47	0,423	0,366	0,334
636-160-000-215R000	160-000-215R000	F	15 Pin, Female	0,73	0,677	0,554	0,504
636-160-000-125R000	160-000-125R000	F	25 Pin, Male	0,50	0,446	0,389	0,357
636-160-000-225R000	160-000-225R000	F	25 Pin, Female	0,47	0,423	0,366	0,334
4-40 Female Coupling Nuts							
636-160-000-006R032	160-000-006R032	G	Nickel Plating	0,14	0,132	0,124	0,116
4-40 Male Screwlock w/ Slip-On Retainer							
636-160-000-001R031	160-000-001R031	H	Nickel Plating	1,03	0,822	0,78	0,622
4-40 Male Screwlock w/ Clip-On Retainer							
636-160-000-002R031	160-000-002R031	H	Nickel Plating	0,69	0,58	0,539	0,472
Plastic Retaining Clip							
636-163-001-000-000	163-001-000-000	I	for retaining connectors to PC .062" board	0,12	0,116	0,107	0,099
4-40 Female Screwlock Assembly							
			Dim. A Dim. B				
636-160-000-010R031	160-000-010R031	J	0.187 0.312	0,62	0,534	0,493	0,409
636-160-000-011R031	160-000-011R031	J	0.187 0.625	0,78	0,673	0,624	0,526
636-160-000-012R031	160-000-012R031	J	0.25 0.156	0,66	0,623	0,523	0,449
636-160-000-013R031	160-000-013R031	J	0.197 0.197	0,62	0,526	0,468	0,393
636-160-000-015R031	160-000-015R031	J	0.197 0.323	0,59	0,521	0,436	0,386
636-160-000-016R031	160-000-016R031	J	0.197 0.433	0,69	0,621	0,538	0,455
636-160-000-017R031	160-000-017R031	J	0.197 0.52	0,56	0,479	0,436	0,378
636-160-000-018R031	160-000-018R031	J	0.197 0.669	0,78	0,69	0,624	0,517
Thumbscrews for Standard Backshells							
636-160-000-050R031	160-000-050R031	K	4-40 for series 977, 978, 979, & 983 backshells	0,17	0,148	0,132	0,124
636-160-000-060R031	160-000-060R031	L	2.6mm for series 970, 971, & 972 backshells	0,62	0,567	0,492	0,417

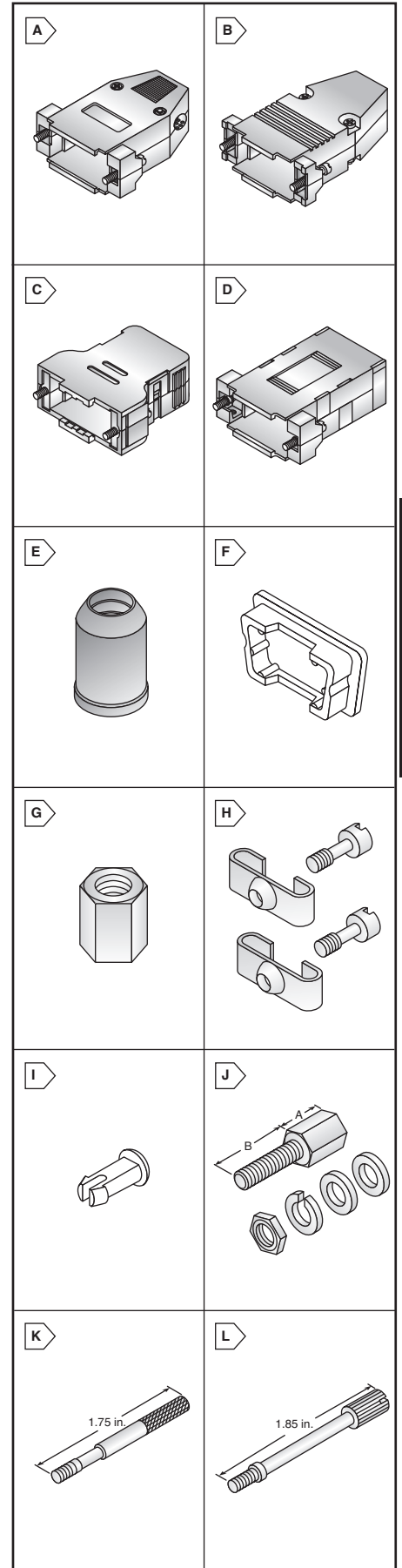
© Copyright 2012 Mouser Electronics

mouser.com/norcomp

**All Prices
In EURO**

EUsales@mouser.com

1243



"D" Connectors

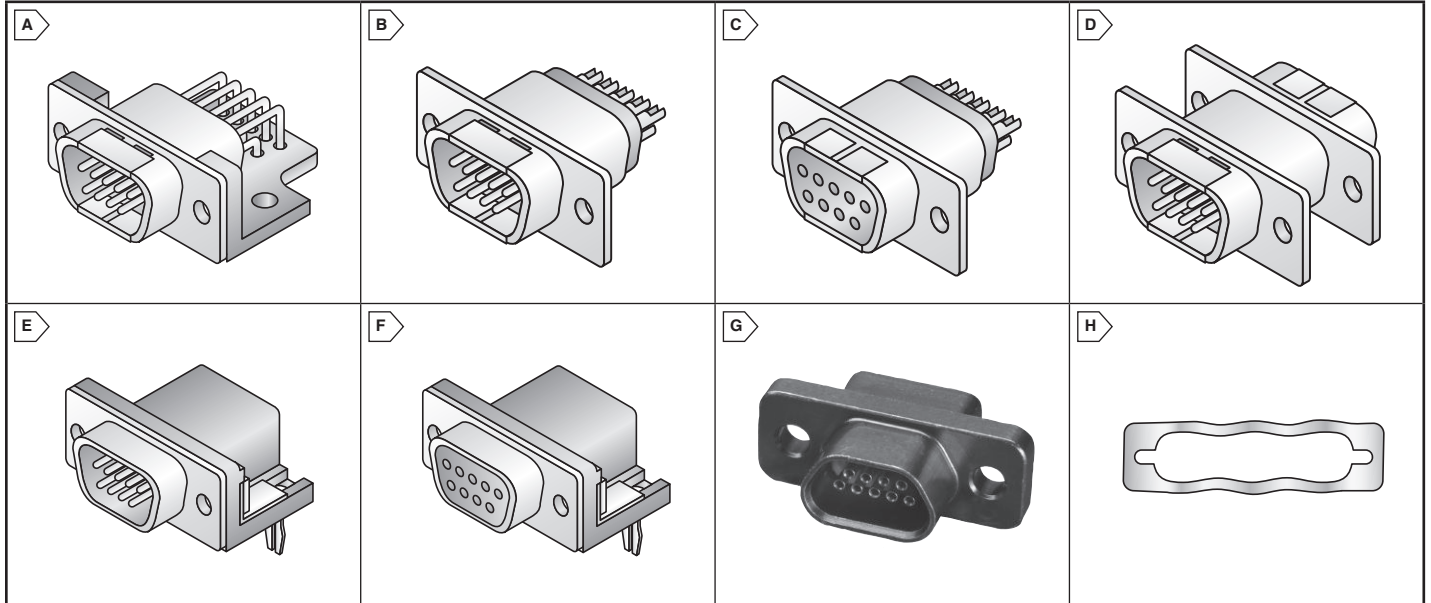
NorComp

© Copyright 2012 Mouser Electronics

SPECTRUM ASP Filtered D-Sub Connectors



RoHS Compliant This product is RoHS compliant.



SERIES 700 HIGH PERFORMANCE FILTERED CONNECTORS

The Series 700 Connectors offer the highest performance filtering for all types of professional applications.

Features:

- One piece diecast housing design
- Tubular capacitor filtering provides effective performance through 10 GHz
- UL Recognized: File #E149046
- RoHS Compliant per Spectrum ASP documentation

Specifications:

- Shell: Zinc diecast, nickel plated
- Contacts: Copper alloy
- Plug Contacts: 15 μ Gold plated over nickel
- Receptacle Contacts: 30 μ Gold plated over nickel
- Temperature: -55°C to +125°C
- Current Rating: 5 Amps
- Contact Resistance: 10M Ω maximum



RoHS Compliant

Connectors

For quantities greater than listed, call for quote.

MOUSER STOCK NO.	Spectrum ASP Part No.	Fig.	Type	No. of Pos.	EMI Filter Capacitance Value	Price Each		
						1	5	10
Printed Circuit Board Right Angle Mount								
657-56F702-005	56F702-005	A	Plug	9	4000 pF Pi	36.03	34.22	32.41
657-56F722-005	56F722-005	A	Plug	25	4000 pF Pi	66.44	60.89	54.54
Solder Cup Termination								
657-56F701-013	56F701-013	B	Plug	9	1000 pF Pi	30.90	29.35	27.81
657-56F701-015	56F701-015	B	Plug	9	4000 pF Pi	33.68	31.99	30.30
657-56F706-001	56F706-001	C	Receptacle	9	310 pF Pi	35.02	33.27	31.52
657-56F706-005	56F706-005	C	Receptacle	9	4000 pF Pi	42.12	40.11	38.11
657-56F711-013	56F711-013	B	Plug	15	1000 pF Pi	42.06	39.95	37.85
657-56F716-003	56F716-003	C	Receptacle	15	1000 pF Pi	51.97	49.36	46.77
657-56F721-013	56F721-013	B	Plug	25	1000 pF Pi	64.20	60.99	57.78
657-56F721-015	56F721-015	B	Plug	25	4000 pF Pi	70.70	67.16	63.63
657-56F726-003	56F726-003	C	Receptacle	25	1000 pF Pi	75.16	71.40	67.64
657-56F731-013	56F731-013	B	Plug	37	1000 pF Pi	94.86	90.11	85.37

Plug/Receptacle Adapter

In-line design allows EMI/RFI filtering to be added externally to equipment. Utilizes existing D-Sub connectors. No gender changer required. Offers same protection as soldered in filters.

- RoHS Compliant per Spectrum ASP documentation
- LI Suffix=4-40 UNC Inserts



RoHS Compliant

For quantities greater than listed, call for quote.

MOUSER STOCK NO.	Spectrum ASP Part No.	Fig.	No. of Pos.	EMI Filter Capacitance Value	Price Each		
					1	5	10
657-56F705-001	56F705-001	D	9	310 pF Pi	27.20	24.93	22.32
657-56F705-008	56F705-008	D	9	830 pF Pi	21.62	19.82	17.75
657-56F705-003	56F705-003	D	9	1000 pF Pi	33.42	31.75	30.07
657-56F705-005	56F705-005	D	9	4000 pF Pi	34.03	32.41	30.78
* 657-56F705-005-LI	56F705-005-LI	D	9	4000pF Pi	37.70	35.90	34.11
657-56F715-001	56F715-001	D	15	310 pF Pi	40.18	38.16	36.15
657-56F715-003	56F715-003	D	15	1000 pF Pi	42.06	39.95	37.85
657-56F715-005	56F715-005	D	15	4000 pF Pi	49.32	46.85	44.39
657-56F725-001	56F725-001	D	25	310 pF Pi	60.69	57.65	54.62
657-56F725-003	56F725-003	D	25	1000 pF Pi	67.36	63.99	60.62
657-56F725-005	56F725-005	D	25	4000 pF Pi	74.20	70.67	67.13
* 657-56F735-003-LI	56F735-003-LI	D	37	1000 pF Pi	98.19	93.28	88.37
657-56F735-005	56F735-005	D	37	4000 pF Pi	104.63	99.40	94.17

© Copyright 2012 Mouser Electronics

© Copyright 2012 Mouser Electronics

SERIES 400 FERRITE FILTERED CONNECTORS

The Series 400 Ferrite Filtered Connector is designed as a low cost EMI solution for high frequency interference. The space saving connectors incorporate a solid slab of ferrite material as the filtering element.

Features:

- Prevents common-mode noise in signal lines of data communication terminals and digital devices
- Drop In replacements for standard .318" D-Sub connectors
- Replaces individual ferrite beads, saving cost and space
- Effective in helping meet requirements of FCC, VDE, EN55022 and Japan's VCCI
- RoHS Compliant per Spectrum ASP documentation

Specifications:

- Operating Temperature: -40°C to +105°C
- Frequency Range: 10 – 300 MHz
- Current Rating: 5 Amps
- Dielectric Withstand Voltage: 1000 VAC for one min
- Shell: Steel (Tin Plated)
- Plug Contacts: Brass
- Receptacle Contacts: Phosphor Bronze
- Contact Plated: Gold Flash



RoHS Compliant

For quantities greater than listed, call for quote.

MOUSER STOCK NO.	Spectrum ASP Part No.	Fig.	Type	No. of Pos.	Typ. Impedance (Ω)		Price Each		
					25 MHz	100 MHz	1	5	10
657-56F402-001	56F402-001	E	Plug	9	30	50	3,15	2,79	2,79
657-56F404-001	56F404-001	F	Receptacle	9	30	50	2,85	2,52	2,52
657-56F422-001	56F422-001	E	Plug	25	30	50	4,18	3,70	3,70
657-56F424-001	56F424-001	F	Receptacle	25	30	50	3,61	3,48	3,48

FILTERED MICRO D CONNECTORS

Features:

- Light weight
- Compact size
- Environmentally sealed contact area when mated
- Corrosion resistant
- Durable (500 cycles min.)
- Superior electrical performance
- RoHS compliant

Specifications:

- Operating Voltage: 100 VDC Dielectric
- Withstanding Voltage: 300 VDC
- Current Rating: 3 Amps
- Insulation Resistance: 5G ohms @ 100 VDC



For quantities greater than listed, call for quote.

MOUSER STOCK NO.	Spectrum ASP Part No.	Fig.	Type	No. of Pos.	EMI Filter Capacitance Value	Price Each		
						1	5	10
657-56F001-114	56F001-114	G	Plug	9	4700 pF COB	180,82	173,05	165,29
657-56F031-114	56F031-114	G	Plug	25	4700 pF COB	400,99	383,77	366,55

WAVED METAL GASKETS

Waved metal gaskets adjust for mounting surface irregularities, resulting in optimum filtering performance.

Specifications:

- Material: Beryllium Copper
- Finish: Electro Tin Plate
- Material Thickness: .005" Compresses
- Wave Length: .030"
- RoHS compliant per Spectrum ASP documentation



RoHS Compliant

Front Mounted Plug or Receptacle Connector, Rear Mounted Plug

For quantities greater than listed, call for quote.

MOUSER STOCK NO.	Spectrum ASP Part No.	Fig.	Shell Size	Price Each		
				1	5	10
657-572019-100-NI	572019-00100-NI	H	9	1,38	1,30	1,23
657-572019-101-NI	572019-00101-NI	H	15	1,52	1,44	1,35
657-572019-102-NI	572019-00102-NI	H	25	1,78	1,70	1,62
657-572019-103-NI	572019-00103-NI	H	37	1,71	1,57	1,47

Rear Mounted Receptacle Only

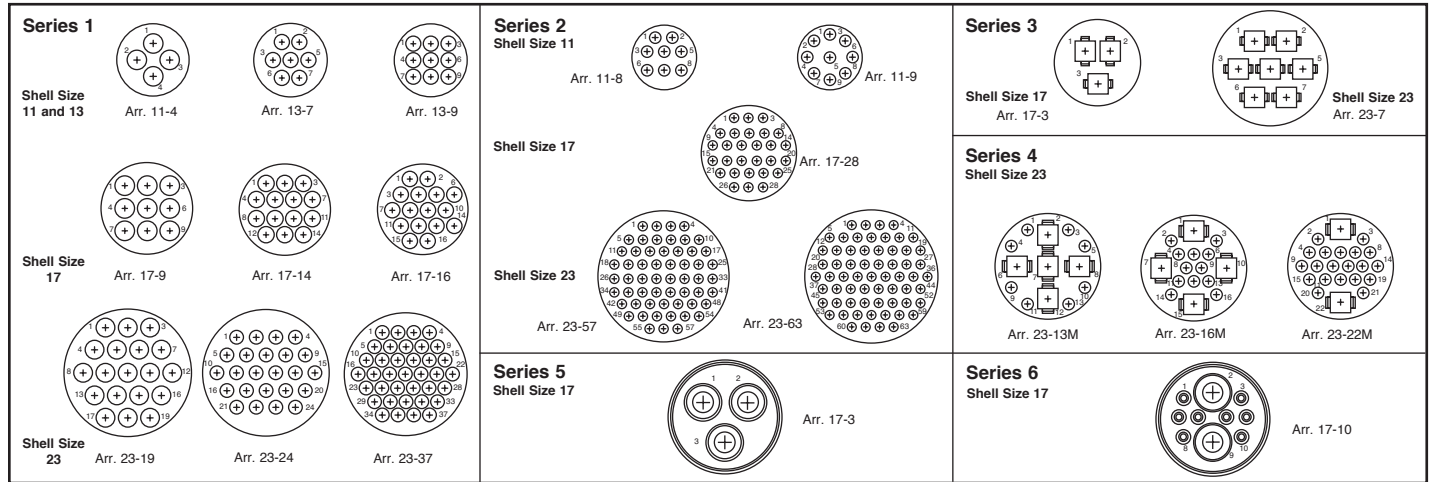
For quantities greater than listed, call for quote.

MOUSER STOCK NO.	Spectrum ASP Part No.	Fig.	Shell Size	Price Each		
				1	5	10
657-572019-105-NI	572019-00105-NI	H	9	1,21	1,11	1,05
657-572019-106-NI	572019-00106-NI	H	15	1,52	1,44	1,35
657-572019-107-NI	572019-00107-NI	H	25	2,38	2,12	1,91
657-572019-108-NI	572019-00108-NI	H	37	2,03	1,78	1,63

TE CPC Connectors (SERIES 1)



CPC CONTACT ARRANGEMENTS



"SERIES 1" (SIZE 16 CONTACTS)

Standard density, signal and low-current applications using Multimatte contacts.

Features:

- Housing Material: Black thermoplastic
- Flammability rating: UL94V-0
- .062" pin diameter

Connectors:

- Molded-in keying: standard configuration: 5 keys.
- Sealed connectors are with pre-installed, bonded peripheral seal, two piece.

- * STD. Gender= Pin contacts in receptacle housings, socket contacts in plug housings
- * REV. Gender= Socket contacts in receptacle housings, pin contacts in plug housings
- Pins and sockets must be ordered separately.

Contacts:

- Plating:
- Bright tin.
 - Gold flash over nickel with additional gold on mating end.
 - Nickel with gold on mating end.
 - Gold gradient over nickel with additional gold on mating end.

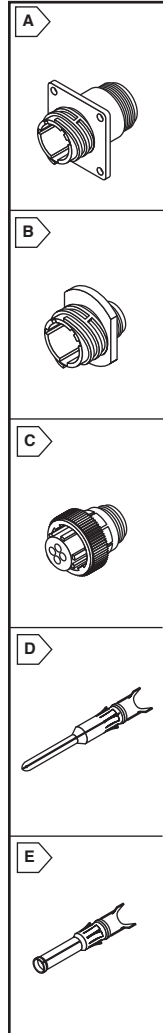


RoHS Compliant

RoHS Compliant

For quantities greater than listed, call for quote.

For quantities greater than listed, call for quote.



MOUSER STOCK NO.	TE Part No.	Fig.	Shell Size	No. of Contacts	With Seal	Price Each		
						1	25	50
Standard Sex Square Flange Receptacles - With Mounting Holes								
571-2060611	206061-1	A	11	4	No	2,74	2,65	2,50
* 571-2114011	211401-1	A	13	7	No	4,09	3,88	3,69
571-2067051	206705-1	A	13	9	No	2,34	2,29	2,00
571-2067053	206705-3	A	13	9	Yes	5,09	4,55	4,45
* 571-2117671	211767-1	A	17	9	No	3,99	3,38	3,01
571-2060364	206036-4	A	17	16	Yes	5,63	4,18	3,51
571-2060361	206036-1	A	17	16	No	3,14	2,97	2,87
* 571-2117711	211771-1	A	23	19	No	4,81	4,32	3,87
571-2068381	206838-1	A	23	24	No	3,80	3,62	3,52
571-2068383	206838-3	A	23	24	Yes	6,56	5,47	5,17
571-2061511	206151-1	A	23	37	No	3,49	3,29	3,19
Standard Sex Free-Hanging Receptacles (For Pin Contacts)								
571-2061531	206153-1	B	11	4	No	2,89	2,74	2,63
571-2067052	206705-2	B	13	9	No	3,02	2,89	2,79
571-2067054	206705-4	B	13	9	Yes	4,90	3,67	3,37
571-2060363	206036-3	B	17	16	No	2,90	2,75	2,65
571-2060365	206036-5	B	17	16	Yes	4,61	4,38	4,16
571-2068382	206838-2	B	23	24	No	5,74	5,54	5,29
571-2068384	206838-4	B	23	24	Yes	5,22	4,83	4,74
571-2061512	206151-2	B	23	37	No	5,37	5,13	4,95
Standard Sex Plugs (For Socket Contacts)								
571-2060601	206060-1	C	11	4	No	4,21	3,87	3,50
* 571-2113991	211399-1	C	13	7	No	3,32	3,05	2,60
571-2067081	206708-1	C	13	9	No	3,71	3,40	3,06
* 571-2117661	211766-1	C	17	9	No	5,11	4,32	3,95
571-2060371	206037-1	C	17	16	No	4,48	4,11	3,71
* 571-2117702	211770-2	C	23	19	No	6,10	5,50	4,93
571-2068371	206837-1	C	23	24	No	4,99	4,68	4,58
571-2061501	206150-1	C	23	37	No	6,90	6,48	6,28

Reverse Sex Connectors

RoHS Compliant

MOUSER STOCK NO.	TE Part No.	Fig.	Shell Size	No. of Contacts	With Seal	Price Each		
						1	25	50
Reverse Sex Square Flange Receptacles - With Mounting Holes								
571-206430-1	206430-1	A	11	4	No	2,94	2,78	2,68
571-2064303	206430-3	A	11	4	Yes	5,31	4,85	4,18
* 571-2113981	211398-1	A	13	7	No	3,75	3,34	3,00
* 571-2117691	211769-1	A	17	9	No	4,59	4,16	3,83
571-206043-1	206043-1	A	17	14	No	3,42	3,22	3,03
571-2060434	206043-4	A	17	14	Yes	3,09	2,79	2,57
* 571-2117731	211773-1	A	23	19	No	5,13	4,87	4,63
571-2063061	206306-1	A	23	37	No	3,62	3,42	3,29
Reverse Sex Free-Hanging Receptacles (For Socket Contacts)								
571-2064302	206430-2	B	11	4	No	2,62	2,52	2,42
571-2060433	206043-3	B	17	14	No	3,55	3,05	2,81
571-2063062	206306-2	B	23	37	No	5,56	5,22	5,02
Reverse Sex Plugs (For Pin Contacts)								
571-206429-1	206429-1	C	11	4	No	2,47	2,26	1,94
* 571-2114001	211400-1	C	13	7	No	3,76	3,45	2,95
* 571-211768-1	211768-1	C	17	9	No	4,29	3,86	3,53
571-206044-1	206044-1	C	17	14	No	3,18	2,87	2,55
* 571-2117721	211772-1	C	23	19	No	5,48	5,21	4,95
571-206305-1	206305-1	C	23	37	No	4,82	4,52	4,41

* VDE Tested

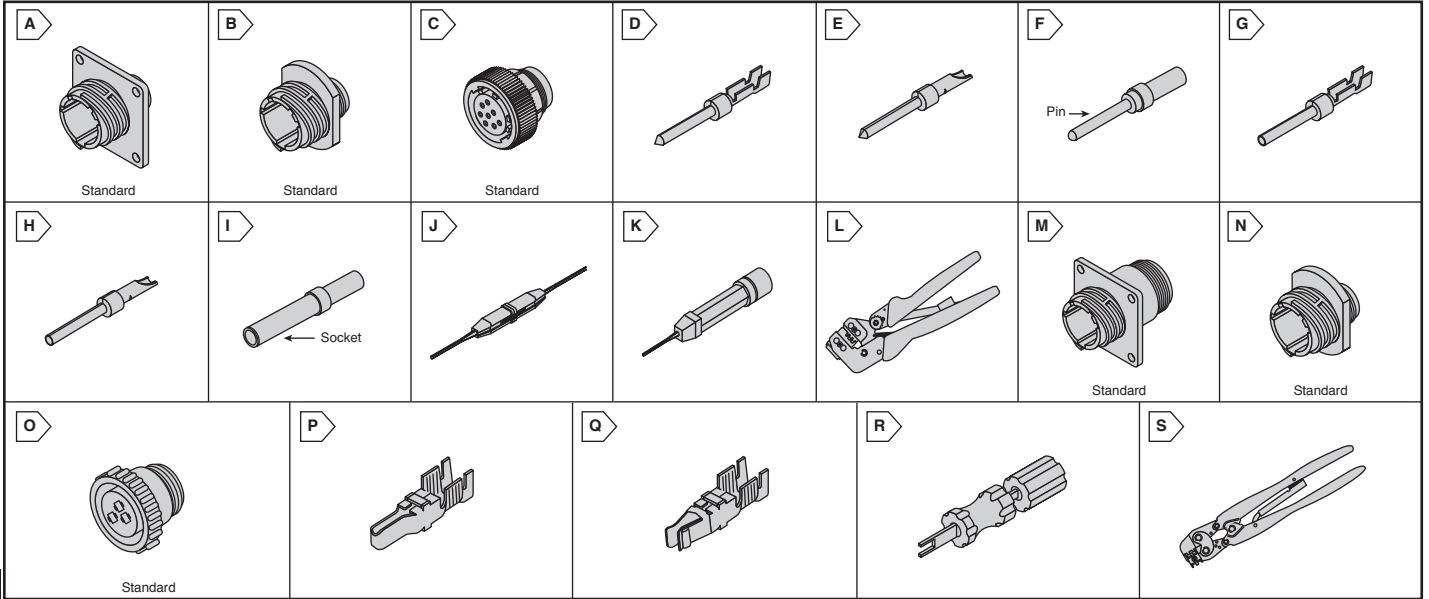
MOUSER STOCK NO.	TE Part No.	Fig.	Wire Size AWG	Wire Insulation Range (in.)	Plating	Price Each		
						1	100	1000
Pin Contacts								
571-1-66107-1	1-66107-1	D	26-24	.035 - .055	a	0,31	0,29	0,20
571-661074	66107-4	D	26-24	.035 - .055	b	0,34	0,33	0,32
571-1-66103-8	1-66103-8	D	24-20	.040 - .080	a	0,50	0,35	0,27
571-66103-4	66103-4	D	24-20	.040 - .080	b	0,91	0,62	0,58
571-661033	66103-3	D	24-20	.040 - .080	c	0,46	0,29	0,24
571-665664	66566-4	D	24-20	.060 - .120	b	0,45	0,44	0,431
571-1-66400-0	1-66400-0	D	24-20	.080 - .100	a	0,28	0,27	0,25
571-664004	66400-4	D	24-20	.080 - .100	b	0,35	0,34	0,28
571-665911	66591-1	D	22-18	.055 - .110	a	0,16	0,14	0,12
571-665891	66589-1	D	18-16	.080 - .100	a	0,24	0,22	0,20
571-1-66099-5	1-66099-5	D	18-16	.080 - .100	a	0,50	0,39	0,33
571-66099-4	66099-4	D	18-16	.080 - .100	b	0,97	0,64	0,60
571-660993	66099-3	D	18-16	.080 - .100	c	0,65	0,506	0,429
571-660991	66099-1	D	18-16	.080 - .100	d	0,93	0,796	0,722
571-1-66361-2	1-66361-2	D	18-14	.080 - .100	a	0,30	0,22	0,20
571-663614	66361-4	D	18-14	.080 - .100	b	0,50	0,44	0,40
571-66602-8	66602-8	D	18-14	.110 - .150	a	0,27	0,19	0,17
571-66602-2	66602-2	D	18-14	.110 - .150	b	0,47	0,45	0,44
571-202236-6	202236-6	D	SolderTab	----	a	0,74	0,70	0,673
Socket Contacts								
571-1-66109-7	1-66109-7	E	26-24	.035 - .055	a	0,50	0,43	0,40
571-661094	66109-4	E	26-24	.035 - .055	b	0,49	0,45	0,41
571-1-66105-9	1-66105-9	E	24-20	.040 - .080	a	0,62	0,42	0,36
571-66105-4	66105-4	E	24-20	.040 - .080	b	1,08	0,74	0,67
571-661053	66105-3	E	24-20	.040 - .080	c	0,62	0,581	0,534
571-665654	66565-4	E	24-20	.060 - .120	b	0,57	0,41	0,38
571-1-66399-0	1-66399-0	E	24-20	.080 - .100	a	0,33	0,31	0,303
571-663994	66399-4	E	24-20	.080 - .100	b	0,54	0,51	0,41
571-663992	66399-2	E	24-20	.080 - .100	d	1,18	1,05	0,85
571-665921	66592-1	E	22-18	.055 - .110	a	0,22	0,19	0,17
571-665901	66590-1	E	18-16	.080 - .100	a	0,26	0,21	0,19
571-1-66101-9	1-66101-9	E	18-16	.080 - .100	a	0,63	0,43	0,36
571-66101-4	66101-4	E	18-16	.080 - .100	b	1,20	0,70	0,577
571-1-66360-2	1-66360-2	E	18-14	.080 - .100	a	0,36	0,25	0,23
571-66360-4	66360-4	E	18-14	.080 - .100	b	0,64	0,58	0,53
571-66601-9	66601-9	E	18-14	.110 - .150	a	0,37	0,35	0,27
571-66601-2	66601-2	E	18-14	.110 - .150	b	0,54	0,47	0,45
571-202237-5	202237-5	E	Solder Tab	----	a	0,76	0,61	0,53

Tools

For quantities greater than listed, call for quote.

MOUSER STOCK NO.	TE Part No.	Description	Price Each
571-305183	305183	Contact extraction tool	15,91
571-58495-1	58495-1	28-16 AWG Pro-Crimper III	148,71
571-91519-1	91519-1	Hand tool 18-14 AWG	622,98
571-90716-1	90716-1	Hand tool 32-28 AWG	6139,04
571-91515-1	91515-1	Hand tool 30-20 AWG	622,98
571-90225-2	90225-2	Hand tool 30-20 AWG	5939,70
571-91542-1	91542-1	Hand tool 24-20 AWG	622,63
571-91523-1	91523-1	Hand tool 24-16 AWG	775,19
571-91505-1	91505-1	Hand tool 24-16 AWG	641,21

TE CPC Connectors (SERIES 2 AND 3)



SERIES 2 (SIZE 20 CONTACTS) - HIGH DENSITY CONNECTORS

High density applications using size 20 DM (screw machined) and 20 DF (precision formed) contacts.

- * STD. Gender= Pin contacts in receptacle housings, socket contacts in plug housings
- * REV. Gender= Socket contacts in receptacle housings, pin contacts in plug housings
- Pins and sockets must be ordered separately.

Features:

- Housing Material: Black thermoplastic
- Flammability rating: UL94V-0

RoHS Compliant

For quantities greater than listed, call for quote.

MOUSER STOCK NO.	TE Part No.	Fig.	Shell Size	No. of Contacts	Price Each		
					1	25	50
Standard Sex Square Flange Receptacles-w/Mounting Holes							
571-2058411	205841-1	A	11	8	4,98	4,69	4,59
571-2064861	206486-1	A	11	9	4,97	4,51	4,31
571-2058403	205840-3	A	17	28	5,69	5,46	5,26
571-2058431	205843-1	A	23	63	6,23	5,67	5,19
Standard Sex Free-Hanging Receptacles (For Pin Contacts)							
571-2058412	205841-2	B	11	8	5,16	3,40	3,09
571-2064862	206486-2	B	11	9	5,24	5,04	4,84
571-2061521	206152-1	B	17	28	6,04	5,47	5,17
571-2058432	205843-2	B	23	63	7,29	6,74	6,28
Standard Sex Plugs (For Socket Contacts)							
571-2058381	205838-1	C	11	8	6,32	5,82	5,70
571-2064851	206485-1	C	11	9	7,50	7,02	6,82
571-2058393	205839-3	C	17	28	7,01	6,86	6,46
571-2058421	205842-1	C	23	63	6,29	5,79	5,39
Reverse Sex Square Flange Receptacles-w/Mounting Holes							
571-2064331	206433-1	A	11	8	5,22	4,94	4,34
571-2060381	206038-1	A	17	28	10,18	8,88	8,23
571-2064381	206438-1	A	23	57	12,77	11,62	10,39
Reverse Sex Free-Hanging Receptacles (For Socket Contacts)							
571-2064332	206433-2	B	11	8	9,52	8,71	7,83
571-2060382	206038-2	B	17	28	9,40	8,07	7,57
571-2064382	206438-2	B	23	57	19,24	13,38	12,38
Reverse Sex Plugs (For Pin Contacts)							
571-2064341	206434-1	C	11	8	10,43	8,86	8,46
571-2060391	206039-1	C	17	28	12,64	11,55	10,37
571-2064371	206437-1	C	23	57	14,75	12,93	11,83

Contacts:

- Plating:
 - Select gold flash over nickel
 - Gold flash over nickel
 - Gold flash over nickel w/ additional gold on mating end
 - Gold over copper

RoHS Compliant

For quantities greater than listed, call for quote.

MOUSER STOCK NO.	TE Part No.	Fig.	AWG	Plating	Type	Price Each		
						1	100	1000
Pin Contacts								
571-665079	66507-9	D	28-24	a	20 DF Crimp	0,25	0,21	0,18
571-665069	66506-9	D	24-20	a	20 DF Crimp	0,29	0,20	0,18
571-1665060	1-66506-0	D	24-20	b	20 DF Crimp	0,14	0,13	0,112
571-665703	66570-3	E	18max	c	20 DF Solder	0,26	0,205	0,205
571-2050891	205089-1	F	24-20	d	20 DM Crimp	0,51	0,39	0,34
Socket Contacts								
571-665059	66505-9	G	28-24	a	20 DF Crimp	0,41	0,27	0,18
571-665049	66504-9	G	24-20	a	20 DF Crimp	0,29	0,255	0,236
571-1665040	1-66504-0	G	24-20	b	20 DF Crimp	0,15	0,12	0,113
571-665693	66569-3	H	18max	c	20 DF Solder	0,34	0,263	0,263
571-2050901	205090-1	I	24-20	d	20 DM Crimp	1,25	0,876	0,599

Tools

For quantities greater than listed, call for quote.

MOUSER STOCK NO.	TE Part No.	Fig.	Description	Price Each
571-910672	91067-2	J	Insertion/extraction tool	7,06
571-912851	91285-1	K	Insertion/extraction tool	18,76
571-584482	58448-2	L	Pro-Crimper II Hand tool	267,45

SERIES 3 (TYPE XII CONTACTS) - POWER DENSITY CONNECTORS

Power applications with Type XII contacts capable of carrying up to 25 amps of current.

Features:

- Housing Material: Black thermoplastic
- Flammability rating: UL94V-0
- Accommodates 16 to 10 AWG



For quantities greater than listed, call for quote.

MOUSER STOCK NO.	TE Part No.	Fig.	Shell Size	No. of Contacts	Price Each		
					1	25	50
Standard Sex Square Flange Receptacles With Mounting Holes (For Pin Contacts)							
571-2060362	206036-2	M	17	3	3,30	2,72	2,65
571-206137-1	206137-1	M	23	7	3,93	3,76	3,66
Standard Sex Free-Hanging Receptacles (For Pin Contacts)							
571-206207-1	206207-1	N	17	3	3,44	3,42	3,39
571-2061372	206137-2	N	23	7	4,64	4,62	4,59
Standard Sex Plugs (For Socket Contacts)							
571-2060372	206037-2	O	17	3	4,24	4,09	3,93
571-2061361	206136-1	O	23	7	4,94	4,74	3,92
Reverse Sex Square Flanges Receptacles-w/Mounting Holes (For Socket Contacts)							
571-2064251	206425-1	M	17	3	3,44	3,42	3,39
571-2062271	206227-1	M	23	7	3,93	3,85	3,72
Reverse Sex Free-Hanging Receptacles (For Socket Contacts)							
571-2064252	206425-2	N	17	3	4,04	3,97	3,90
571-2062272	206227-2	N	23	7	8,71	8,45	6,99
Reverse Sex Plugs (For Pin Contacts)							
571-206426-1	206426-1	O	17	3	4,87	4,79	4,55
571-2062261	206226-1	O	23	7	4,86	4,81	4,77

Type XII, Precision Formed, Crimp Power Contacts

For quantities greater than listed, call for quote.

MOUSER STOCK NO.	TE Part No.	Fig.	AWG	Finish	Contact Type	Price Each		
						1	100	1000
571-662592	66259-2	P	10-8	Gold	Pin	8,12	4,91	4,33
571-66259-5	66259-5	P	10	Tin	Pin	2,07	1,96	1,50
571-662612	66261-2	P	16, 14-12	Gold	Pin	8,74	7,97	7,34
571-66261-5	66261-5	P	16, 14-12	Tin	Pin	1,90	1,54	1,44
571-667416	66741-6	Q	10	Gold	Socket	19,34	16,57	13,47
571-2-66741-1	2-66741-1	Q	10	Tin	Socket	4,47	4,24	4,03
571-667406	66740-6	Q	16, 14-12	Gold	Socket	14,39	12,77	10,52
571-2-66740-1	2-66740-1	Q	16, 14-12	Tin	Socket	3,81	3,74	3,31

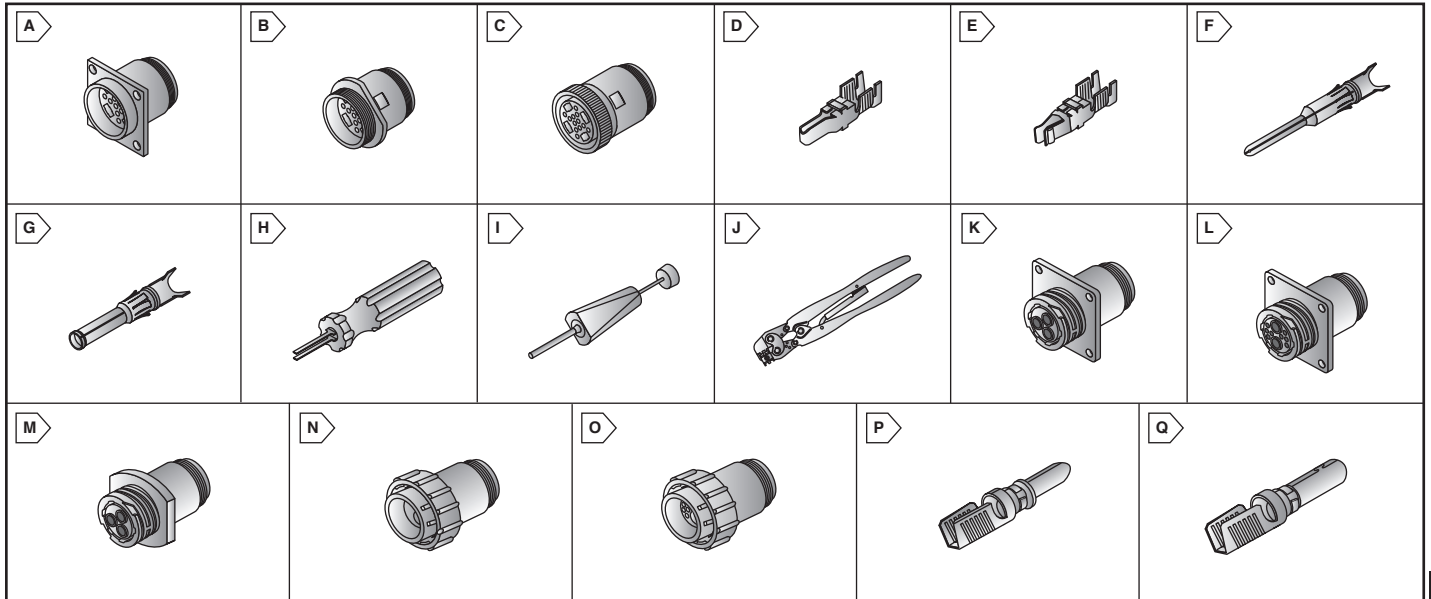
Tools

For quantities greater than listed, call for quote.

MOUSER STOCK NO.	TE Part No.	Fig.	Description	Price Each
571-910193	91019-3	R	Extraction tool	239,17
571-903822	90382-2	S	Certi-Crimp, 12-16 AWG, type XII	975,04
571-903841	90384-1	S	Certi-Crimp, 8-10 AWG, type XII	975,02

TE CPC Connectors

(SERIES 4, 5, AND 6)



SERIES 4 (TYPE XII AND SIZE 16 CONTACTS) - POWER AND SIGNAL COMBINATION

Combination of standard and power density applications with size 16 and Type XII contacts

- Features:**
- Housing Material: Black thermoplastic
 - Flammability rating: UL94V-0



Arrangement
23-13M
No. of cavities
Power: 5
Multimate: 8



Arrangement
23-16M
No. of cavities
Power: 4
Multimate: 12



Arrangement
23-22M
No. of cavities
Power: 2
Multimate: 20



RoHS Compliant



E28476



LR7189

Connectors

Pins and sockets must be ordered separately

For quantities greater than listed, call for quote.

MOUSER STOCK NO.	TE Part No.	Fig.	Contact Arrangement	Price Each		
				1	25	50
Square Flange Receptacles						
571-2118251	211825-1	A	23 - 13M	5,21	5,03	4,64
571-2074861	207486-1	A	23 - 16M	3,28	3,02	2,97
571-2066131	206613-1	A	23 - 22M	3,50	3,15	2,86
Free Hanging Receptacles						
571-2118252	211825-2	B	23 - 13M	6,08	5,77	5,49
571-2074862	207486-2	B	23 - 16M	5,19	4,69	4,25
571-2066133	206613-3	B	23 - 22M	5,48	5,21	4,95
Plugs						
571-2118241	211824-1	C	23 - 13M	12,73	12,02	11,73
571-2074851	207485-1	C	23 - 16M	5,18	4,67	4,19
571-2066121	206612-1	C	23 - 22M	6,22	5,60	5,04



RoHS Compliant

Contacts

For quantities greater than listed, call for quote.

MOUSER STOCK NO.	TE Part No.	Fig.	Contact Type	AWG	Finish	Price Each		
						1	100	1000
Type XII								
571-66261-4	66261-4	D	Pin	16,14-12	Silver	5,08	3,92	3,47
571-66261-2	66261-2	D	Pin	16,14-12	Gold	8,74	7,97	7,34
571-66259-2	66259-2	D	Pin	10-8	Gold	8,12	4,91	4,33
571-66259-4	66259-4	D	Pin	10-8	Silver	2,73	2,52	2,31
571-66740-2	66740-2	E	Socket	16,14-12	Silver	9,23	5,58	2,31
571-66740-6	66740-6	E	Socket	16,14-12	Gold	14,39	12,77	10,52
571-66741-6	66741-6	E	Socket	10	Gold	19,34	16,57	13,47
571-66741-2	66741-2	E	Socket	10-8	Silver	8,68	7,90	6,54
Size 16 Signal								
571-66591-1	66591-1	F	Pin	22-18	Tin	0,16	0,14	0,12
571-66589-1	66589-1	F	Pin	18-16	Tin	0,24	0,22	0,20
571-66592-1	66592-1	G	Socket	22-18	Tin	0,22	0,19	0,17
571-66590-1	66590-1	G	Socket	18-16	Tin	0,26	0,21	0,19

Tools

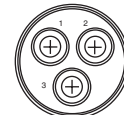
For quantities greater than listed, call for quote.

MOUSER STOCK NO.	TE Part No.	Fig.	Description	Price Each
571-911241	91124-1	H	Extraction, for type XII contacts	52,26
571-305183	305183	I	Extraction, for size 16 signal contacts	15,91
571-903822	90382-2	J	Certi-Crimp, 12-16 AWG, type XII	975,04
571-903841	90384-1	J	Certi-Crimp, 8-10 AWG, type XII	975,02

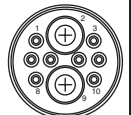
SERIES 5 AND 6 SEALED CPC AND POWERBAND CONTACTS

Features:

- Meets the requirements of UL, CSA and VDE for environmentally sealed connectors used in industrial applications
- Housing Material: Nylon, glass-filled, black
- Flammability rating: UL94V-0
- Receptacles accepts socket contacts
- Series 5: .125 powerband contacts
- Series 6: Size 16 and .125 powerband contacts
- Plugs accept pin contacts



Arrangement
17-3



Arrangement
17-10

*Reverse Sex Gender = Socket contacts in receptacle housings, pin contacts in plug housings



RoHS Compliant



E28476



LR7189

Two-Piece Sealed - Reverse Sex

For quantities greater than listed, call for quote.

MOUSER STOCK NO.	TE Part No.	Fig.	Series	Shell Size	Contact	Price Each		
						1	25	50
Square Flange Receptacle								
571-2138892	213889-2	K	5	17	3	5,51	4,76	4,46
571-2138932	213893-2	L	6	17	10	5,09	4,53	4,03
Free Hanging Receptacle								
571-2138902	213890-2	M	5	17	3	6,12	5,24	4,84
Plug with Full Interfacial Seal								
571-2139051	213905-1	N	5	17	3	6,56	6,12	6,01
571-2139061	213906-1	O	6	17	10	7,61	6,89	6,29

Powerband Contacts

Features:

- Precision formed high current

RoHS Compliant

For quantities greater than listed, call for quote.

MOUSER STOCK NO.	TE Part No.	Fig.	Series	AWG	Contact	Price Each		
						1	10	100
571-2138454	213845-4	P	Pin	14-12	Gold	3,14	2,85	2,69
571-2138453	213845-3	P	Pin	14-12	Silver	2,78	2,44	2,19
571-2138414	213841-4	P	Pin	10-8	Gold	3,43	2,93	2,73
571-2138413	213841-3	P	Pin	10-8	Silver	3,08	2,55	2,19
571-2138474	213847-4	Q	Socket	14-12	Gold	4,65	4,23	3,82
571-2138473	213847-3	Q	Socket	14-12	Silver	6,38	6,00	4,79
571-2138434	213843-4	Q	Socket	10-8	Gold	4,78	4,33	3,82
571-2138433	213843-3	Q	Socket	10-8	Silver	3,86	3,66	3,48

Tools

For quantities greater than listed, call for quote.

MOUSER STOCK NO.	TE Part No.	Description	Price Each
571-3188131	318813-1	Extraction tool	204,31
571-697101	69710-1	Hand tool without dies	643,53

TE CPC Accessories

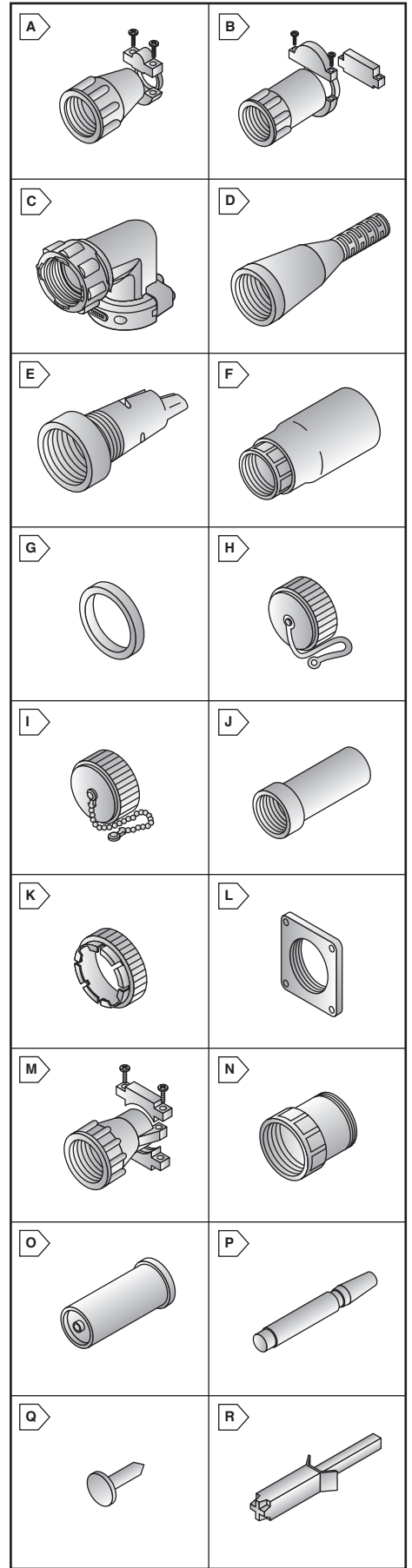
RoHS Compliant This product is RoHS compliant.

SHELL SIZE 11 ACCESSORIES



For quantities greater than listed, call for quote.

MOUSER STOCK NO.	TE Part No.	Fig.	Description	Price Each		
				1	25	50
571-1-206062-6	1-206062-6	A	Std cable clamp, screw length .375"	5,91	5,40	4,85
571-1-206062-4	1-206062-4	A	Std cable clamp, screw length .500"	2,88	2,59	2,36
571-206358-5	206358-5	B	Large cable clamp	5,64	5,04	4,57
571-1546347-2	1546347-2	C	Right-angle cable clamp w/ cover	7,19	6,54	5,97
571-207489-1	207489-1	D	Flexible cable boot	2,30	2,07	1,89
571-207490-1	207490-1	E	Internal cable grip	2,39	2,18	2,01
571-54010-1	54010-1	F	Heat shrink sealing boot	11,17	10,54	9,84
571-2064031	206403-1	G	Peripheral seal	0,41	0,38	0,35
571-208800-1	208800-1	I	Sealing cap metal chain	4,99	4,75	4,60
571-2063041	206304-1	J	Rubber boot	5,30	5,26	5,23
571-2138111	213811-1	K	Replacement coupling ring	1,03	0,96	0,87
571-207299-1	207299-1	L	Panel mount flange for plug	5,77	5,48	5,21



SHELL SIZE 13 ACCESSORIES



For quantities greater than listed, call for quote.

MOUSER STOCK NO.	TE Part No.	Fig.	Description	Price Each		
				1	25	50
571-206966-7	206966-7	A	Standard cable clamp	2,87	2,58	2,35
571-207008-5	207008-5	B	Large cable clamp	3,10	2,68	2,48
571-1546348-2	1546348-2	C	Right-angle cable clamp w/ cover	6,34	5,76	5,28
571-54123-1	54123-1	F	Heat shrink sealing boot	11,59	10,45	10,22
571-2064034	206403-4	G	Peripheral seal	0,92	0,91	0,89
571-211870-2	211870-2	H	Sealing cap plastic strap	2,40	2,17	1,99
571-2134851	213485-1	I	Sealing cap metal chain	7,47	7,22	6,24
571-2138131	213813-1	K	Replacement coupling ring	1,31	1,22	1,13
571-207299-2	207299-2	L	Panel mount flange for plug	4,35	3,90	3,55

SHELL SIZE 17 ACCESSORIES



For quantities greater than listed, call for quote.

MOUSER STOCK NO.	TE Part No.	Fig.	Description	Price Each		
				1	25	50
571-206070-8	206070-8	A	Standard cable clamp	3,13	2,82	2,54
571-206322-9	206322-9	B	Large cable clamp	7,34	6,73	6,07
571-1546349-2	1546349-2	C	Right-angle cable clamp w/ cover	6,73	5,96	5,44
571-2072411	207241-1	D	Flexible cable boot	4,16	3,78	3,45
571-2073871	207387-1	E	Small internal cable grip	3,62	3,44	3,12
571-2073872	207387-2	E	Large internal cable grip	3,47	3,15	2,88
571-54011-1	54011-1	F	Heat shrink sealing boot	9,30	8,99	8,59
571-2064032	206403-2	G	Peripheral seal	0,79	0,69	0,65
571-2086521	208652-1	I	Sealing cap metal chain	6,31	5,91	5,80
571-2138101	213810-1	K	Replacement coupling ring	1,25	1,12	1,02
571-2072993	207299-3	L	Panel mount flange for plug	4,31	3,90	3,57

SHELL SIZE 23 ACCESSORIES



For quantities greater than listed, call for quote.

MOUSER STOCK NO.	TE Part No.	Fig.	Description	Price Each		
				1	25	50
571-206138-8	206138-8	A	Standard cable clamp	5,39	4,85	4,55
571-206512-5	206512-5	B	Large cable clamp	4,25	3,97	3,67
571-1546350-2	1546350-2	C	Right-angle cable clamp w/ cover	6,93	6,53	5,86
571-207774-3	207774-3	M	Self-centering cable clamp	8,81	7,73	7,13
571-54012-1	54012-1	F	Heat shrink sealing boot	11,48	10,95	10,35
571-2064033	206403-3	G	Peripheral seal	1,44	1,26	1,21
571-2072994	207299-4	L	Panel mount flange for plug	1,88	1,70	1,55
571-2070551	207055-1	N	Back-shell extender	4,16	3,79	3,47
571-2070521	207052-1	O	Jacketed cable seal .30" - .45"	12,45	11,53	11,30
571-2070522	207052-2	O	Jacketed cable seal .45" - .60"	27,41	26,12	24,51
571-2070523	207052-3	O	Jacketed cable seal .60" - .875"	17,51	16,23	14,30
571-2086801	208680-1	I	Sealing cap metal chain	6,51	5,95	5,79
571-2138121	213812-1	K	Replacement coupling ring	1,87	1,69	1,55

KEYING PLUGS



For quantities greater than listed, call for quote.

MOUSER STOCK NO.	TE Part No.	Fig.	Description	Price Each		
				1	25	50
571-2008211	200821-1	P	Series 1 and 4 keying plug	0,22	0,20	0,19
571-2065091	206509-1	Q	Series 2 keying plug	0,43	0,36	0,23
571-2065081	206508-1	R	Series 3 and 4 keying plug sockets	0,76	0,74	0,72
571-2075971	207597-1	R	Series 3 and 4 keying plug pins	2,57	2,44	2,32

AMPHENOL Circular Connectors



This product is RoHS compliant.

Amphenol®

ECO|MATE CIRCULAR CONNECTORS, SERIES C16-M

The Eco|mate Series is designed to have ease of operation using reduced dimensions while withstanding harsh conditions. This series is compatible and interchangeable with the well established C16-1 Series. The connector is primarily used for measuring and controlling applications such as control technology for engineering; ideal for green energy applications.

Features:

- Quick and easy assembly
- Vibration safe with non-sensitive screw locking
- Ergonomic coupling sleeve for better grip and safer handling
- Interchangeable with the C16-1 series
- Pre-loaded ground contact
- Screwed cable gland with clamping ring; threaded cable gland
- Other colors available. Please contact your sales representative.

Specifications:

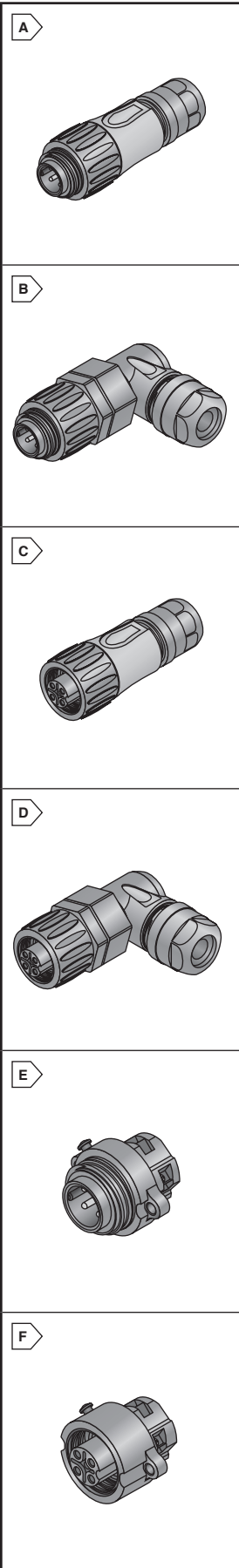
- Cable O.D.: 6 - 12.5mm
- Contact Plating: Silver
- IP Degree: IP65 / IP67 (DIN EN 60529)
- Temperature range: -40°C to +100°C
- Flammability: UL94V-0



Cable Connectors

For quantities greater than listed, call for quote.

MOUSER STOCK NO.	Amphenol Part No.	Fig.	No. of Contacts	Plating	Color	Termination Type	Voltage	Current	AWG Size	Price Each		
										1	10	50
Male, Straight with Clamping Ring												
523-C01620H00310010	C016 20H003 100 10	A	3 + PE	Silver	Blue	Screw	400V	16A	14	8,65	7,67	7,20
523-C01620H00310012	C016 20H003 100 12	A	3 + PE	Silver	Black	Screw	400V	16A	14	8,23	7,47	6,72
523-C01620H00320010	C016 20H003 200 10	A	3 + PE	Gold	Blue	Screw	400V	12A	14	12,90	11,27	10,56
523-C01620H00320012	C016 20H003 200 12	A	3 + PE	Gold	Black	Screw	400V	12A	14	12,90	11,27	10,56
523-C01630H00610010	C016 30H006 100 10	A	6 + PE	Silver	Blue	Solder	250V	10A	20	9,39	8,20	7,58
523-C01630H00610012	C016 30H006 100 12	A	6 + PE	Silver	Black	Solder	250V	10A	20	8,72	7,92	7,13
523-C01630H00620010	C016 30H006 200 10	A	6 + PE	Gold	Blue	Solder	250V	8A	20	12,28	10,88	10,15
523-C01630H00620012	C016 30H006 200 12	A	6 + PE	Gold	Black	Solder	250V	8A	20	18,24	16,75	15,46
Male, Straight with Internal Strain Relief												
523-C01620H00311010	C016 20H003 110 10	A	3 + PE	Silver	Blue	Screw	400V	16A	14	9,19	8,14	7,80
523-C01620H00311012	C016 20H003 110 12	A	3 + PE	Silver	Black	Screw	400V	16A	14	7,68	7,15	6,63
523-C01620H00321010	C016 20H003 210 10	A	3 + PE	Gold	Blue	Screw	400V	12A	14	13,72	11,99	11,22
523-C01630H00611010	C016 30H006 110 10	A	6 + PE	Silver	Blue	Solder	250V	10A	20	9,28	8,81	8,37
523-C01630H00611012	C016 30H006 110 12	A	6 + PE	Silver	Black	Solder	250V	10A	20	10,03	9,34	8,66
523-C01630H00621010	C016 30H006 210 10	A	6 + PE	Gold	Blue	Solder	250V	8A	20	13,79	12,39	11,51
523-C01630H00621012	C016 30H006 210 12	A	6 + PE	Gold	Black	Solder	250V	8A	20	18,61	17,00	14,92
Male, Right Angle with Clamping Ring												
523-C01620K00310010	C016 20K003 100 10	B	3 + PE	Silver	Blue	Screw	400V	16A	14	15,42	13,48	11,83
523-C01620K00310012	C016 20K003 100 12	B	3 + PE	Silver	Black	Screw	400V	16A	14	19,36	17,71	15,56
523-C01630K00610010	C016 30K006 100 10	B	6 + PE	Silver	Blue	Solder	250V	10A	20	14,58	13,71	12,43
523-C01630K00610012	C016 30K006 100 12	B	6 + PE	Silver	Black	Solder	250V	10A	20	20,37	18,60	16,34
Female, Straight with Clamping Ring												
523-C01620D00310010	C016 20D003 100 10	C	3 + PE	Silver	Blue	Screw	400V	16A	14	7,85	7,64	7,64
523-C01620D00310012	C016 20D003 100 12	C	3 + PE	Silver	Black	Screw	400V	16A	14	7,21	6,55	5,89
523-C01620D00320010	C016 20D003 200 10	C	3 + PE	Gold	Blue	Screw	400V	12A	14	14,86	12,98	12,15
523-C01620D00320012	C016 20D003 200 12	C	3 + PE	Gold	Black	Screw	400V	12A	14	18,65	17,04	14,99
523-C01630D00610010	C016 30D006 100 10	C	6 + PE	Silver	Blue	Solder	250V	10A	20	9,43	8,96	8,51
523-C01630D00610012	C016 30D006 100 12	C	6 + PE	Silver	Black	Solder	250V	10A	20	9,45	8,59	7,73
523-C01630D00620010	C016 30D006 200 10	C	6 + PE	Gold	Blue	Solder	250V	8A	20	14,26	13,42	12,16
523-C01630D00620012	C016 30D006 200 12	C	6 + PE	Gold	Black	Solder	250V	8A	20	19,70	18,07	16,69
Female, Straight with Internal Strain Relief												
523-C01620D00311010	C016 20D003 110 10	C	3 + PE	Silver	Blue	Screw	400V	16A	14	6,88	6,54	6,21
523-C01620D00311012	C016 20D003 110 12	C	3 + PE	Silver	Black	Screw	400V	16A	14	7,71	7,01	6,43
523-C01620D00321010	C016 20D003 210 10	C	3 + PE	Gold	Blue	Screw	400V	12A	14	14,59	13,73	12,45
523-C01620D00321012	C016 20D003 210 12	C	3 + PE	Gold	Black	Screw	400V	12A	14	17,34	15,83	13,91
523-C01630D00611010	C016 30D006 110 10	C	6 + PE	Silver	Blue	Solder	250V	10A	20	11,30	10,37	9,58
523-C01630D00611012	C016 30D006 110 12	C	6 + PE	Silver	Black	Solder	250V	10A	20	14,93	13,63	11,98
523-C01630D00621010	C016 30D006 210 10	C	6 + PE	Gold	Blue	Solder	250V	8A	20	16,52	14,39	13,53
523-C01630D00621012	C016 30D006 210 12	C	6 + PE	Gold	Black	Solder	250V	8A	20	20,56	18,79	16,52
Female, Right Angle with Clamping Ring												
523-C01620F00310010	C016 20F003 100 10	D	3 + PE	Silver	Blue	Screw	400V	16A	14	13,66	12,97	12,32
523-C01620F00310012	C016 20F003 100 12	D	3 + PE	Silver	Black	Screw	400V	16A	14	16,05	14,59	13,13
523-C01630F00610010	C016 30F006 100 10	D	6 + PE	Silver	Blue	Solder	250V	10A	20	15,38	14,61	13,88
523-C01630F00610012	C016 30F006 100 12	D	6 + PE	Silver	Black	Solder	250V	10A	20	23,19	21,20	18,62



Circular Connectors
Amphenol

Panel Receptacles

For quantities greater than listed, call for quote.

MOUSER STOCK NO.	Amphenol Part No.	Fig.	No. of Contacts	Plating	Color	Termination Type	Voltage	Current	AWG Size	Price Each		
										1	10	50
Male												
523-C01610C00600012	C016 10C006 000 12	E	6 + PE	Silver	Black	Crimp	250V	13A	14	3,14	2,86	2,50
523-C01620C00310012	C016 20C003 100 12	E	3 + PE	Silver	Black	Screw	400V	16A	14	8,24	7,51	6,58
523-C01630C00610012	C016 30C006 100 12	E	6 + PE	Silver	Black	Solder	250V	10A	20	10,25	9,34	8,17
Female												
523-C01620G00310012	C016 20G003 100 12	F	3 + PE	Silver	Black	Screw	400V	16A	14	9,23	8,43	7,39
523-C01630G00610012	C016 30G006 100 12	F	6 + PE	Silver	Black	Solder	250V	10A	20	11,48	10,47	9,19

Protective Caps

For quantities greater than listed, call for quote.

MOUSER STOCK NO.	Amphenol Part No.	Description	Price Each		
			1	10	50
523-C01600U00001012	C016 00U000 010 12	Protective Cover for Male Cable Connector	7,17	6,54	5,72
523-C01600U000001012	C016 00U000 000 12	Protective Cover for Male Receptacle	6,47	5,89	5,15
523-C01600V00001012	C016 00V000 010 12	Protective Cover for Female Cable Connector	6,25	5,69	4,99
523-C01600V000001012	C016 00V000 000 12	Protective Cover for Female Receptacle	9,25	8,43	7,39
523-C01600V000001012	C016 00V000 000 1	Protective Cover for Female Receptacle	5,41	4,59	4,33

AMPHENOL Rugged Circular DIN Connectors Amphenol®

RoHS Compliant This product is RoHS compliant.

CIRCULAR DIN CONNECTORS, SERIES C091A

Features:

- Metal locking ring; screw locking according to DIN EN 60130-9/IEC 60130-9
- Internal metal strain relief with half shell construction and snap-in latching
- UL Approval File # E63093
- Complete EMI shielding in fully mated and locked position
- Solder termination
- Cable connector length: 2.658"
- Cable connector diameter: .670"

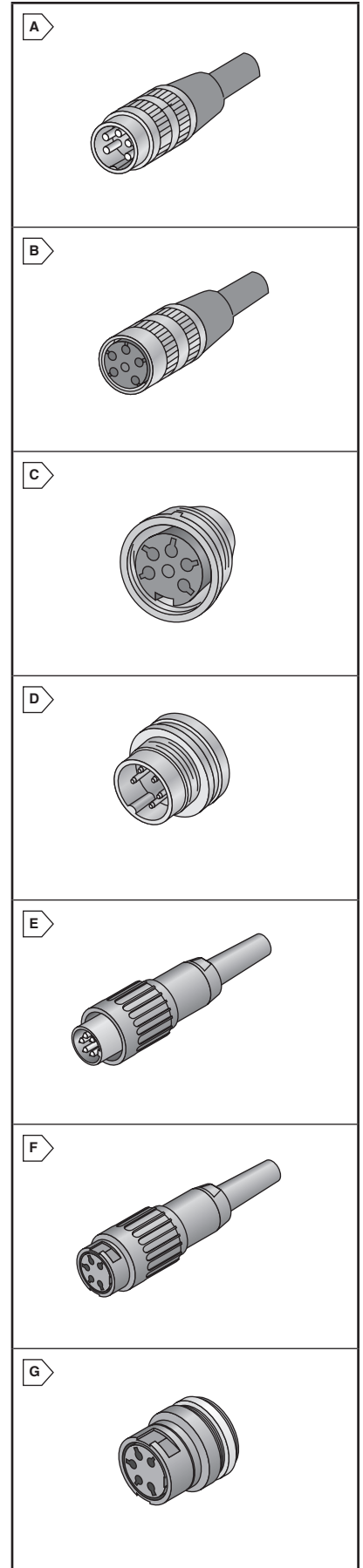


*Contact plating: silver unless noted with (Gold)

For quantities greater than listed, call for quote.

MOUSER STOCK NO.	Amphenol Part No.	Fig.	No. of Contacts	Voltage (IEC 60664-1)	Current (IEC 60512-3)	AWG Size	Price Each		
							1	10	50
Male Cable Connector, Max Cable O.D. is 6mm									
523-T3260-001	T 3260 001	A	3 DIN	300V	5A	20-26	8,65	7,94	7,33
523-T3300-001	T 3300 001	A	4 IEC	300V	5A	20-26	9,55	8,76	7,71
* 523-T3300-018	T 3300 018	A	4 IEC	300V	5A	20-26	9,30	8,54	7,68
523-T3360-001	T 3360 001	A	5	300V	5A	20-26	8,88	8,15	7,53
* 523-T3360-018	T 3360 018	A	5	300V	5A	20-26	9,30	8,53	7,88
523-T3400-001	T 3400 001	A	6 DIN	300V	5A	20-26	9,65	8,85	8,17
523-T3475-001	T 3475 001	A	7	300V	5A	20-26	10,20	9,36	8,64
523-T3504-001	T 3504 001	A	8 DIN	100V	5A	20-26	9,40	8,61	7,96
523-T3635-001	T 3635 001	A	12	150V	3A	20-26	22,70	20,83	19,24
523-T3650-001	T 3650 001	A	14	150V	3A	24	21,33	20,78	17,96
Female Cable Connector, Max Cable O.D. is 6mm									
523-T3261-001	T 3261 001	B	3 DIN	300V	5A	20-26	13,49	12,34	10,84
523-T3301-001	T 3301 001	B	4 IEC	300V	5A	20-26	10,05	9,21	8,10
523-T3361-001	T 3361 001	B	5	300V	5A	20-26	13,79	12,61	11,06
523-T3401-001	T 3401 001	B	6 DIN	300V	5A	20-26	13,93	12,74	11,19
523-T3476-001	T 3476 001	B	7	300V	5A	20-26	11,50	10,92	9,40
523-T3505-001	T 3505 001	B	8 DIN	100V	5A	20-26	12,41	11,39	10,51
523-T3651-001	T 3651 001	B	14	150V	3,4	24	19,30	18,81	16,03
Female Panel Receptacle, Front Mounting									
523-T3263-000	T 3263 000	C	3 DIN	300V	5A	20-26	5,09	4,65	4,19
523-T3303-000	T 3303 000	C	4 IEC	300V	5A	20-26	5,15	4,72	4,16
* 523-T3303-018	T 3303 018	C	4 IEC	300V	5A	20-26	6,46	5,94	5,37
523-T3363-000	T 3363 000	C	5	300V	5A	20-26	4,26	4,05	3,84
523-T3403-000	T 3403 000	C	6 DIN	300V	5A	20-26	5,27	4,84	4,46
523-T3478-000	T 3478 000	C	7	300V	5A	20-26	5,27	4,84	4,46
* 523-T3478-018	T 3478 018	C	7	300V	5A	20-26	7,03	6,84	6,04
523-T3507-000	T 3507 000	C	8 DIN	100V	5A	20-26	8,56	7,84	7,25
523-T3638-000	T 3638 000	C	12	150V	3A	20-26	15,42	14,17	13,07
523-T3653-000	T 3653 000	C	14	150V	3A	24	15,68	15,28	13,59
Male Panel Receptacle, Front Mounting									
523-T3262-000	T 3262 000	D	3 DIN	300V	5A	20-26	4,43	4,05	3,74
523-T3302-000	T 3302 000	D	4 IEC	300V	5A	20-26	4,37	4,01	3,71
523-T3362-000	T 3362 000	D	5	300V	5A	20-26	4,61	4,23	3,91
523-T3402-000	T 3402 000	D	6 DIN	300V	5A	20-26	5,56	5,10	4,72
523-T3477-000	T 3477 000	D	7	300V	5A	20-26	5,18	4,75	4,38
523-T3506-000	T 3506 000	D	8 DIN	100V	5A	20-26	5,87	5,39	4,98

Amphenol Circular Connectors



BAYONET LOCKING CIRCULAR DIN CONNECTORS, SERIES C091B

Features:

- Internal metal strain relief with half shell and snap-in locking
- UL Approval File # E63093
- Complete EMI shielding in fully mated and locked position
- Solder termination



For quantities greater than listed, call for quote.

MOUSER STOCK NO.	Amphenol Part No.	Fig.	No. of Contacts	Voltage (IEC 60664-1)	Current (IEC 60512-3)	AWG Size	Price Each		
							1	10	50
Male Cable Connector, Bayonet Locking Inside									
523-T3274-501	T 3274 501	E	3 DIN	300V	5A	20 - 26	5,86	5,36	4,84
523-T3324-501	T 3324 501	E	4 IEC	300V	5A	20 - 26	6,30	5,51	5,09
523-T3374-501	T 3374 501	E	5	300V	5A	20 - 26	6,29	5,76	5,34
523-T3424-501	T 3424 501	E	6 DIN	300V	5A	20 - 26	7,92	7,51	6,51
523-T3434-501	T 3434 501	E	7	300V	5A	20 - 26	6,50	5,96	5,51
523-T3524-501	T 3524 501	E	8 DIN	150V	5A	20 - 26	7,82	7,18	6,64
Female Cable Connector, Bayonet Locking Outside									
523-T3278-501	T 3278 501	F	3 DIN	300V	5A	20 - 26	7,34	6,75	6,07
523-T3328-501	T 3328 501	F	4 IEC	300V	5A	20 - 26	6,87	6,30	5,54
523-T3428-501	T 3428 501	F	6 DIN	300V	5A	20 - 26	12,29	11,28	10,41
523-T3438-501	T 3438 501	F	7	300V	5A	20 - 26	7,41	6,80	6,27
523-T3528-501	T 3528 501	F	8 DIN	150V	5A	20 - 26	9,42	8,63	7,97
Female Panel Receptacle, Bayonet Locking Outside, Rear Mounting									
523-T3277-100	T 3277 100	G	3 DIN	300V	5A	20 - 26	8,44	7,75	7,15
523-T3327-100	T 3327 100	G	4 IEC	300V	5A	20 - 26	9,24	8,47	7,82
523-T3377-100	T 3377 100	G	5	300V	5A	20 - 26	8,59	7,88	7,27
523-T3427-100	T 3427 100	G	6 DIN	300V	5A	20 - 26	9,07	8,32	7,68

AMPHENOL Circular Connectors

Amphenol®



This product is RoHS compliant.

IP67 RATED CIRCULAR DIN CONNECTORS, SERIES C091D

Features:

- Metal threaded coupling according to IEC 60130-9
- Internal metal strain relief
- Complete EMI shielding in fully mated and locked position
- Solder termination
- Cable connector length: 2.24"
- Cable connector diameter: .709"
- UL registered under file #E63093 UL

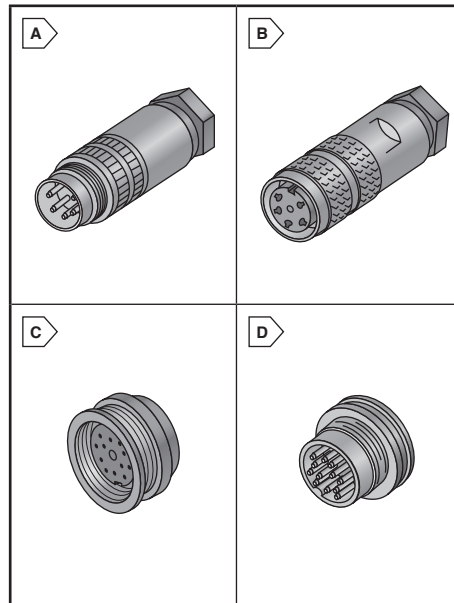
Specifications:

- Temperature range: -40°F to +185°F (IEC 60068-1)
- IP67 (IEC 60529)
- Contact plating: Silver
- Mating cycles: 500
- Flammability: UL94V-0
- Dielectric material: Thermoplastic



For quantities greater than listed, call for quote.

MOUSER STOCK NO.	Amphenol Part No.	Fig.	No. of Contacts	Voltage (IEC 60664-1)	Current (IEC 60512-3)	AWG Size	Price Each		
							1	10	50
Male Cable Connector, Max Cable O.D. is 6mm									
523-31H003-100-2	C091 31H003 100 2	A	3 DIN	300V	5A	20-26	28,72	26,26	23,07
523-31H005-100-2	C091 31H005 100 2	A	5 IEC	300V	5A	20-26	26,99	24,66	21,66
523-31H006-100-2	C091 31H006 100 2	A	6 DIN	300V	5A	20-26	29,64	27,08	23,79
523-31H008-100-2	C091 31H008 100 2	A	8 DIN	300V	5A	20-26	30,49	27,85	24,47
Female Cable Connector, Max Cable O.D. is 6mm									
523-31D005-100-2	C091 31D005 100 2	B	5 IEC	300V	5A	20-26	30,34	27,72	24,35
523-31D006-100-2	C091 31D006 100 2	B	6 DIN	300V	5A	20-26	30,62	27,98	24,60
523-31D008-100-2	C091 31D008 100 2	B	8 DIN	300V	5A	20-26	31,59	28,87	25,36
Female Panel Receptacle, Front Mounting									
523-31N003-100-2	C091 31N003 100 2	C	3 DIN	300V	5A	20-26	10,14	9,24	8,11
523-31N006-100-2	C091 31N006 100 2	C	6 DIN	300V	5A	20-26	10,51	9,60	8,84
523-31N008-100-2	C091 31N008 100 2	C	8 DIN	300V	5A	20-26	15,13	13,80	12,09
Male Panel Receptacle, Front Mounting									
523-31W005-100-2	C091 31W005 100 2	D	5 IEC	300V	5A	20-26	8,81	8,07	7,44
523-31W006-100-2	C091 31W006 100 2	D	6 DIN	300V	5A	20-26	9,48	8,63	7,58
523-31W008-100-2	C091 31W008 100 2	D	8 DIN	300V	5A	20-26	9,99	9,12	7,99



ENVIRONMENTAL CIRCULAR CONNECTORS, SERIES 44

44 Series associates easy assembly with high performance at an inexpensive price. These connectors are also vibration resistant and field proven in rugged applications.

Features:

- Poke-Home® crimp contacts
- One piece water resistant design (IP65)

- Housings made from santoprene thermoplastic rubber
- Contacts sold separate from housings

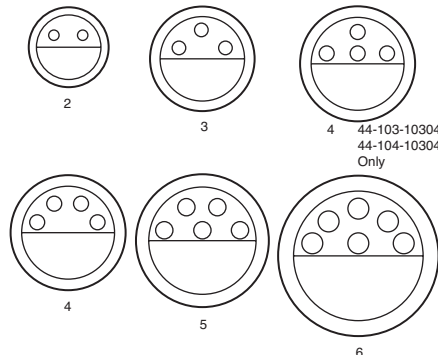
Specifications:

- Temperature Range: -40°C to +125°C
- Wire Outer Diameter: .080" to .130"
- Mated Length: 2.174"
- Contact Plating: Silver

For quantities greater than listed, call for quote.

MOUSER STOCK NO.	Amphenol Part No.	Fig.	No. of Contacts	Voltage	Current	AWG Size	Price Each			
							1	10	25	100
Plug Housings										
523-44-103-10002	044 103 10002	A	2	250VAC RMS	8A	14, 16 & 18	2,64	2,41	2,23	2,06
523-44-103-10003	044 103 10003	A	3	250VAC RMS	8A	14, 16 & 18	3,09	2,84	2,62	2,43
523-44-103-10004	044 103 10004	A	4	250VAC RMS	8A	14, 16 & 18	4,05	3,71	3,42	3,17
523-44-103-10005	044 103 10005	A	5	250VAC RMS	8A	14, 16 & 18	4,24	3,84	3,57	3,28
523-44-103-10006	044 103 10006	A	6	250VAC RMS	8A	14, 16 & 18	4,30	3,95	3,66	3,38
Receptacle Housings										
523-44-104-10002	044 104 10002 02	B	2	250VAC RMS	8A	14, 16 & 18	3,16	2,89	2,68	2,49
523-44-104-10003	044 104 10003 02	B	3	250VAC RMS	8A	14, 16 & 18	3,75	3,46	3,17	2,94
523-44-104-10004	044 104 10004 02	B	4	250VAC RMS	8A	14, 16 & 18	3,80	3,49	3,21	2,98
523-44-104-10005	044 104 10005 02	B	5	250VAC RMS	8A	14, 16 & 18	3,26	2,96	2,75	2,55
523-44-104-10006	044 104 10006 02	B	6	250VAC RMS	8A	14, 16 & 18	4,57	4,19	3,87	3,60
Plug Housings - Low Insertion Force										
523-44-103-99-899	044 103 99 899	A	2	250VAC RMS	8A	14, 16 & 18	1,65	1,55	1,49	1,42
523-44-103-10302	044 103 10302	A	2	250VAC RMS	8A	14, 16 & 18	1,77	1,62	1,49	1,24
523-44-103-10303	044 103 10303	A	3	250VAC RMS	8A	14, 16 & 18	1,79	1,63	1,49	1,37
523-44-103-10304	044 103 10304	A	4	250VAC RMS	8A	14, 16 & 18	1,82	1,66	1,53	1,39
523-44-103-10305	044 103 10305	A	5	250VAC RMS	8A	14, 16 & 18	1,98	1,81	1,68	1,54
523-44-103-10306	044 103 10306	A	6	250VAC RMS	8A	14, 16 & 18	1,94	1,77	1,62	1,48
Receptacle Housings - Low Insertion Force										
523-44-104-99-899	044 104 99 899	B	2	250VAC RMS	8A	14, 16 & 18	1,30	1,20	1,10	1,03
523-44-104-10302	044 104 10302	B	2	250VAC RMS	8A	14, 16 & 18	2,12	1,95	1,78	1,63
523-44-104-10303	044 104 10303	B	3	250VAC RMS	8A	14, 16 & 18	2,12	1,93	1,78	1,64
523-44-104-10304	044 104 10304	B	4	250VAC RMS	8A	14, 16 & 18	2,23	2,06	1,91	1,75
523-44-104-10305	044 104 10305	B	5	250VAC RMS	8A	14, 16 & 18	2,51	2,30	2,12	1,96
523-44-104-10306	044 104 10306	B	6	250VAC RMS	8A	14, 16 & 18	2,37	2,17	2,00	1,83

Insert Configurations



Contacts - Bag of 100

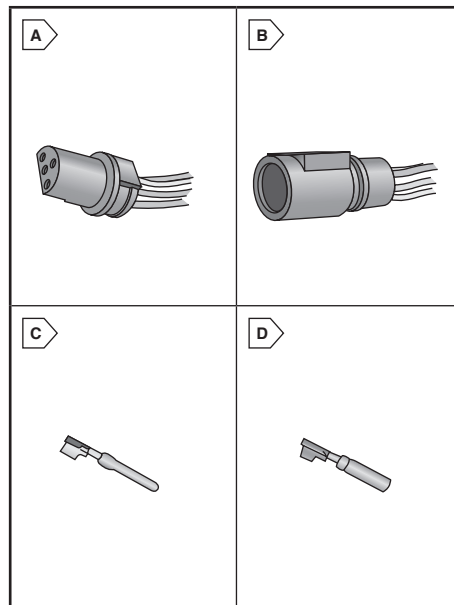
MOUSER STOCK NO.	Amphenol Part No.	Fig.	Description	Price Per Bag	
				1	5
523-1414P-100	044 100 1414P 100 101	C	Pin Contact for Receptacle	52,68	45,66
523-1414S-100	044 102 1414S 100 101	D	Socket Contact for Plug	88,63	76,82

Contacts - Single

MOUSER STOCK NO.	Amphenol Part No.	Fig.	Description	Price Each		
				1	50	100
523-1414P	044 100 1414P 1000	C	Socket Contact for Plug	0,23	0,217	0,207
523-1414S	044 102 1414S 1000	D	Socket Contact for Plug	1,18	0,939	0,899

Tools

MOUSER STOCK NO.	Amphenol Part No.	Fig.	Description	Price Each
523-357-588	357-588	-	Crimp Tool	311,52
523-356-258	356-258	-	Insertion Tool	122,86
523-356-259	356-259	-	Pin Extractor	94,75



AMPHENOL Amphe-PPM Push-Pull Connectors Amphenol®



This product is RoHS compliant.

The Amphe-PPM is a rapid mate push/pull connector which provides positive mating in limited space and ease of use. The design features of the Amphe-PPM allows consumers to save cost in space savings along with installation. Ideally suited, but not limited to, many commercial and industrial applications.

Markets:

- Medical
- Instrumentation
- Test and measurement
- Communication Equipment

Features:

- Push/Pull Rapid Mate connector system
- Sealed IP67 or Non-sealed IP55 versions
- 4 Sealed shell sizes: 10mm, 12mm, 16mm, & 18mm
- 2 Non-sealed shell sizes: 12mm & 16mm
- Termination Style: Solder
- Operating Temperature: -40°C to 100°C
- Mating Cycles: 500+
- Current Rating: 0.8mm: 3 amps, 1mm: 5 amps, 1.5mm:10 amps, 2.5mm: 25 amps
- Designed to IEC 61984
- Non-Magnetic
- Crimp or PCB tails available on special request



Straight Plug



Jam Nut Receptacle



Straight Plug with Rubber Boot



Box Mount Receptacle

For quantities greater than listed, call for quote.

MOUSER STOCK NO.	Amphenol Part No.	Description	Price Each
Sealed - 10mm - Nickel			
654-APSCPB2	APSCPB2	Box Mt Recept, 3 - 1mm Pin contacts	18,82
654-APSCPBE2	APSCPBE2	Str Plug w/ PG7, 3 - 1mm Pin contacts	27,89
654-APSCPB7E2	APSCPB7E2	Jam Nut Recept w/ PG7, 3 - 1mm Pin contacts	21,96
654-APSCSB2	APSCSB2	Box Mt Recept, 3 - 1mm Socket contacts	18,82
654-APSCSBE2	APSCSBE2	Str Plug w/ PG7, 3 - 1mm Socket contacts	26,99
654-APSCSB7E2	APSCSB7E2	Jam Nut Recept w/ PG7, 3 - 1mm Socket cont.	21,96
654-APSCPD2	APSCPD2	Box Mt Recept, 5 - 0.8mm Pin contacts	20,61
654-APSCPD7E2	APSCPD7E2	Jam Nut Recept w/ PG7, 5 - 0.8mm Pin cont.	23,75
Sealed - 12mm - Nickel			
654-APSDPA2	APSDPA2	Box Mt Recept, 2 - 1.6mm Pin contacts	19,49
654-APSDSA2	APSDSA2	Box Mt Recept, 2 - 1.6mm Socket contacts	19,49
654-APSDPF2	APSDPF2	Box Mt Recept, 7 - 1mm Pin contacts	22,19
654-APSDPF7E2	APSDPF7E2	Jam Nut Recept w/ PG9, 7 - 1mm Pin contacts	26,55
654-APSDSF2	APSDSF2	Box Mt Recept, 7 - 1mm Socket contacts	22,19
Sealed - 16mm - Nickel			
654-APSEPB2	APSEPB2	Box Mt Recept, 2 - 2.5mm Pin contacts	23,73
654-APSEPB6E2	APSEPB6E2	Str Plug w/ PG13.5, 2 - 2.5mm Pin contacts	35,26
654-APSEPB7E2	APSEPB7E2	Jam Nut Recept w/ PG13.5, 2 - 2.5mm Pin cont.	28,74
654-APSESB2	APSESB2	Box Mt Recept, 2 - 2.5mm Socket contacts	23,73
654-APSESB6E2	APSESB6E2	Str Plug w/ PG13.5, 2 - 2.5mm Socket cont.	35,26
654-APSESB7E2	APSESB7E2	Jam Nut Recept w/ PG13.5, 2 - 2.5mm Socket	28,74
654-APSEPF2	APSEPF2	Box Mt Recept, 4 - 1.5mm Pin contacts	25,25
654-APSEPF6E2	APSEPF6E2	Str Plug w/ PG13.5, 4 - 1.5mm Pin contacts	36,79
654-APSEPF7E2	APSEPF7E2	Jam Nut Recept w/ PG13.5, 4 - 1.5mm Pin cont.	29,25
654-APSESF2	APSESF2	Box Mt Recept, 4 - 1.5mm Socket contacts	25,25
654-APSESF7E2	APSESF7E2	Jam Nut Recept w/ PG13.5, 4 - 1.5mm Socket	29,62
654-APSEPJ2	APSEPJ2	Box Mt Recept, 12 - 1mm Pin contacts	28,31
654-APSEPJ7E2	APSEPJ7E2	Jam Nut Recept w/ PG13.5, 12 - 1mm Pin cont.	32,22
654-APSESJ2	APSESJ2	Box Mt Recept, 12 - 1mm Socket contacts	28,31
654-APSESJ7E2	APSESJ7E2	Jam Nut Recept w/ PG13.5, 12 - 1mm Socket	32,22
Sealed - 18mm - Nickel			
654-APSFPA2	APSFPA2	Box Mt Recept, 3 - 2.5mm Pin contacts	25,47
654-APSFPA7E2	APSFPA7E2	Jam Nut Recept w/ PG16, 3 - 2.5mm Pin cont.	31,78
654-APSFSA2	APSFSA2	Box Mt Recept, 3 - 2.5mm Socket contacts	25,47
654-APSFSA6E2	APSFSA6E2	Str Plug w/ PG16, 3 - 2.5mm Socket contacts	43,76
654-APSFSA7E2	APSFSA7E2	Jam Nut Recept w/ PG16, 3 - 2.5mm Socket	31,78
654-APSFPB2	APSFPB2	Box Mt Recept, 5 - 1.5mm Pin contacts	28,96
654-APSFPB6E2	APSFPB6E2	Str Plug w/ PG16, 5 - 1.5mm Pin contacts	47,25
654-APSFPB7E2	APSFPB7E2	Jam Nut Recept w/ PG16, 5 - 1.5mm Pin cont.	34,39
654-APSF SB2	APSF SB2	Box Mt Recept, 5 - 1.5mm Socket contacts	28,96
654-APSF SB6E2	APSF SB6E2	Plug w/ PG16, 5 - 1.5mm Socket contacts	47,25
654-APSF SB7E2	APSF SB7E2	Jam Nut Recept w/ PG16, 5 - 1.5mm Socket	34,39
654-APSFPC6E2	APSFPC6E2	Str Plug w/ PG16, 3 - 1.5mm, 5 - 1mm Pin cont.	48,12
654-APSFPC7E2	APSFPC7E2	Jam Nut Recept w/ PG16, 3 - 1.5mm, 5 - 1mm Pin	35,26
654-APSFSC2	APSFSC2	Box Mt Recept, 3 - 1.5mm, 5 - 1mm Socket	29,83

For quantities greater than listed, call for quote.

MOUSER STOCK NO.	Amphenol Part No.	Description	Price Each
Sealed - 18mm - Nickel (Cont.)			
654-APSFSC6E2	APSFSC6E2	Str Plug w/ PG16, 3 - 1.5mm, 5 - 1mm Socket	48,12
654-APSFDP2	APSFDP2	Box Mt Recept, 5 - 1mm Pin contacts	33,30
654-APSFDP6E2	APSFDP6E2	Str Plug w/ PG16, 5 - 1mm Pin contacts	51,59
654-APSFDP7E2	APSFDP7E2	Jam Nut Recept w/ PG16, 5 - 1mm Pin cont.	37,02
654-APSFSD2	APSFSD2	Box Mt Recept, 5 - 1mm Socket contacts	33,30
654-APSFSD6E2	APSFSD6E2	Str Plug w/ PG16, 5 - 1mm Socket contacts	51,59
654-APSFSD7E2	APSFSD7E2	Jam Nut Recept w/ PG16, 5 - 1mm Socket	37,02
Non-Sealed - 12mm - Nickel			
654-APNAPA2N	APNAPA2N	Box Mt Recept, 2 - 1.6mm Pin contacts	5,83
654-APNASA2N	APNASA2N	Box Mt Recept, 2 - 1.6mm Socket contacts	5,83
654-APNASA7NC	APNASA7NC	Jam Nut Recept w/Cable Clamp, 2 - 1.6mm Soc	8,29
654-APNAPF2N	APNAPF2N	Box Mt Recept, 7 - 1mm Pin contacts	6,33
654-APNASF7NC	APNASF7NC	Jam Nut Recept w/ Cable Clamp, 7 - 1mm Soc	8,51
Non-Sealed - 16mm - Nickel			
654-APNBPB2N	APNBPB2N	Box Mt Recept, 2 - 2.5mm Pin contacts	8,33
654-APNBPB6NC	APNBPB6NC	Str Plug w/ Cable Clamp, 2 - 2.5mm Pin cont.	12,56
654-APNBPB7NC	APNBPB7NC	Jam Nut Recept w/Cable Clamp, 2 - 2.5mm Pin	11,47
654-APNBSB2N	APNBSB2N	Box Mt Recept, 2 - 2.5mm Socket contacts	8,33
654-APNBSB6NC	APNBSB6NC	Str Plug w/ Cable Clamp, 2 - 2.5mm Socket	12,56
654-APNBSB7NC	APNBSB7NC	Jam Nut Recept w/Cable Clamp, 2 - 2.5mm Soc	11,47
654-APNBPJ6NC	APNBPJ6NC	Jam Nut Recept w/ Cable Clamp, 4 - 1.5mm Pin	11,70
654-APNBSF7NC	APNBSF7NC	Jam Nut Recept w/Cable Clamp, 4 - 1.5mm Soc	11,70
654-APNBPJ6NC	APNBPJ6NC	Str Plug w/Cable Clamp, 12 - 1mm Pin cont	24,17
654-APNBPJ7NC	APNBPJ7NC	Jam Nut Recept w/ Cable Clamp, 12 - 1mm Pin	19,72
654-APNBSJ2N	APNBSJ2N	Box Mt Recept, 12 - 1mm Socket contacts	16,58
654-APNBSJ7NC	APNBSJ7NC	Jam Nut Recept w/Cable Clamp, 12 - 1mm Soc	19,72
Non-Sealed - 12mm - Black			
654-APNAPA2B	APNAPA2B	Box Mt Recept, 2 - 1.6mm Pin contacts	5,83
654-APNAPA7BR	APNAPA7BR	Jam Nut Recept w/Rubber Boot, 2 - 1.6mm Pin	8,29
654-APNASA2B	APNASA2B	Box Mt Recept, 2 - 1.6mm Socket contacts	5,83
654-APNAPF2B	APNAPF2B	Box Mt Recept, 7 - 1mm Pin contacts	6,33
654-APNASF2B	APNASF2B	Box Mt Recept, 7 - 1mm Socket contacts	6,33
Non-Sealed - 16mm - Black			
654-APNBPB2B	APNBPB2B	Box Mt Recept, 2 - 2.5mm Pin contacts	8,33
654-APNBPB6BR	APNBPB6BR	Str Plug w/ Rubber Boot, 2 - 2.5mm Pin cont	12,56
654-APNBPB7BR	APNBPB7BR	Jam Nut Recept w/Rubber Boot, 2 - 2.5mm Pin	11,47
654-APNBSB2B	APNBSB2B	Box Mt Recept, 2 - 2.5mm Socket contacts	8,33
654-APNBSB7BR	APNBSB7BR	Jam Nut Recept w/Rubber Boot, 2 - 2.5mm Soc	11,47
654-APNBPJ2B	APNBPJ2B	Box Mt Recept, 4 - 1.5mm Pin contacts	8,56
654-APNBPJ7BR	APNBPJ7BR	Jam Nut Recept w/Rubber Boot, 4 - 1.5mm Pin	11,70
654-APNBSF7BR	APNBSF7BR	Jam Nut Recept w/Rubber Boot, 4 - 1.5mm Soc	11,70
654-APNBPJ7BR	APNBPJ7BR	Jam Nut Recept w/Rubber Boot, 12 - 1mm Pin	19,72
654-APNBSJ2B	APNBSJ2B	Box Mt Recept, 12 - 1mm Socket contacts	16,58
654-APNBSJ7BR	APNBSJ7BR	Jam Nut Recept w/Rubber Boot, 12 - 1mm Soc	19,72

BULGIN 400 Series Buccaneer® Sealed Connectors

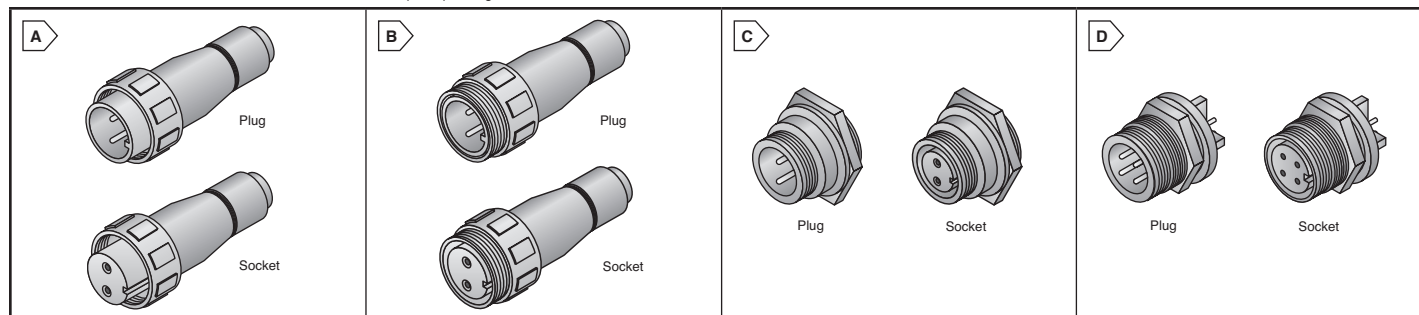


This product is RoHS compliant.

400 SERIES BUCCANEER® ENVIRONMENTALLY SEALED CONNECTORS

Specifications:

- Sealed to IP68 when mated
- Contact inserts are part of body moulding
- Cable range from 3 to 7mm
- Diameter over coupling ring 19.1mm
- Flame retardant moulding material: Polyamide UL94V-0
- RoHS Compliant per Bulgin documentation
- Secure sealing system
- UL, CSA, and VDE approvals



Flex Cable Connectors

- Mates with flex in-line or panel mounting versions
- Screw locking ring
- Contacts supplied separately
- RoHS Compliant per Bulgin documentation

RoHS Compliant

For quantities greater than listed, call for quote.

MOUSER STOCK NO.	Bulgin Part No.	Fig.	Poles	Cable Dia. (mm)	Price Each			
					1	25	50	100
Plugs								
177-PX0410/02P	PX0410/02P/5560	A	2	5.5-6.0	3,63	3,40	3,29	2,93
177-PX0410/03P	PX0410/03P/5560	A	3	5.5-6.0	3,60	3,35	3,25	3,01
177-PX0410/04P	PX0410/04P/4550	A	4	4.5-5.0	3,60	3,35	3,25	3,05
177-PX0410/06P	PX0410/06P/4550	A	6	4.5-5.0	3,60	3,36	3,25	3,03
177-PX0410/08P	PX0410/08P/6065	A	8	6.0-6.5	3,60	3,35	3,25	3,05
177-PX0410/10P	PX0410/10P/6065	A	10	6.0-6.5	3,60	3,36	3,25	3,03
177-PX0410/12P	PX0410/12P/6065	A	12	6.0-6.5	3,60	3,35	3,25	3,05
Sockets								
167-PX0410/02S	PX0410/02S/5560	A	2	5.5-6.0	3,52	3,26	3,16	2,88
167-PX0410/03S	PX0410/03S/5560	A	3	5.5-6.0	3,60	3,35	3,25	3,05
167-PX0410/04S	PX0410/04S/4550	A	4	4.5-5.0	3,60	3,35	3,25	3,05
167-PX0410/06S	PX0410/06S/4550	A	6	4.5-5.0	3,60	3,36	3,25	3,03
167-PX0410/08S	PX0410/08S/6065	A	8	6.0-6.5	3,60	3,35	3,25	3,05
167-PX0410/10S	PX0410/10S/6065	A	10	6.0-6.5	3,60	3,36	3,25	3,03
167-PX0410/12S	PX0410/12S/6065	A	12	6.0-6.5	3,77	3,52	3,42	3,19

Front Panel Mounting Connectors

- Mates with flex cable version
- Single hole fixing
- Contacts supplied separately
- RoHS Compliant per Bulgin documentation

RoHS Compliant

For quantities greater than listed, call for quote.

MOUSER STOCK NO.	Bulgin Part No.	Fig.	Poles	Price Each			
				1	25	50	100
Plugs							
177-PX0412/02P	PX0412/02P	C	2	3,12	2,90	2,81	2,60
177-PX0412/03P	PX0412/03P	C	3	3,21	3,00	2,91	2,69
177-PX0412/04P	PX0412/04P	C	4	3,12	2,90	2,81	2,60
177-PX0412/06P	PX0412/06P	C	6	3,21	3,00	2,91	2,69
177-PX0412/08P	PX0412/08P	C	8	3,27	3,05	2,96	2,74
177-PX0412/10P	PX0412/10P	C	10	3,21	3,00	2,91	2,69
177-PX0412/12P	PX0412/12P	C	12	3,27	3,05	2,96	2,74
Sockets							
167-PX0412/02S	PX0412/02S	C	2	3,12	2,90	2,81	2,60
167-PX0412/03S	PX0412/03S	C	3	3,12	2,90	2,81	2,60
167-PX0412/04S	PX0412/04S	C	4	3,27	3,05	2,96	2,74
167-PX0412/06S	PX0412/06S	C	6	3,21	3,00	2,91	2,69
167-PX0412/08S	PX0412/08S	C	8	3,27	3,05	2,96	2,74
167-PX0412/10S	PX0412/10S	C	10	3,21	3,00	2,91	2,69
167-PX0412/12S	PX0412/12S	C	12	3,27	3,05	2,96	2,74

In-Line Flex Cable Connectors

- Mates with flex cable version
- For in-line cable connection
- Contacts supplied separately
- RoHS Compliant per Bulgin documentation

RoHS Compliant

For quantities greater than listed, call for quote.

MOUSER STOCK NO.	Bulgin Part No.	Fig.	Poles	Cable Dia. (mm)	Price Each			
					1	25	50	100
Plugs								
177-PX0411/02P	PX0411/02P/5560	B	2	5.5-6.0	3,60	3,35	3,25	3,05
177-PX0411/03P	PX0411/03P/5560	B	3	5.5-6.0	3,60	3,35	3,25	3,01
177-PX0411/04P	PX0411/04P/4550	B	4	4.5-5.0	3,60	3,35	3,25	3,05
177-PX0411/06P	PX0411/06P/4550	B	6	4.5-5.0	3,60	3,36	3,25	3,03
177-PX0411/08P	PX0411/08P/6065	B	8	6.0-6.5	2,87	2,69	2,59	2,44
177-PX0411/10P	PX0411/10P/6065	B	10	6.0-6.5	3,60	3,36	3,25	3,03
177-PX0411/12P	PX0411/12P/6065	B	12	6.0-6.5	3,60	3,35	3,25	3,05
Sockets								
167-PX0411/02S	PX0411/02S/5560	B	2	5.5-6.0	3,60	3,35	3,25	3,05
167-PX0411/03S	PX0411/03S/5560	B	3	5.5-6.0	3,60	3,35	3,25	3,05
167-PX0411/04S	PX0411/04S/4550	B	4	4.5-5.0	3,60	3,35	3,25	3,05
167-PX0411/06S	PX0411/06S/4550	B	6	4.5-5.0	3,60	3,36	3,25	3,03
167-PX0411/08S	PX0411/08S/6065	B	8	6.0-6.5	3,60	3,35	3,25	3,05
167-PX0411/10S	PX0411/10S/6065	B	10	6.0-6.5	3,60	3,36	3,25	3,03
167-PX0411/12S	PX0411/12S/6065	B	12	6.0-6.5	3,77	3,52	3,42	3,19

400 Series Buccaneer® Contacts

- Contacts supplied in packs of 10, 1 ea. = 1 pack of 10
- RoHS Compliant per Bulgin documentation

RoHS Compliant

For quantities greater than listed, call for quote.

MOUSER STOCK NO.	Bulgin Part No.	Gender	Termination	For Use with Poles	Price Each			
					1	25	50	100
157-SA3350/1	SA3350/1	Plug	Solder	2,3	4,43	4,41	4,33	3,95
157-SA3349/1	SA3349/1	Socket	Solder	2,3	6,06	6,02	5,90	5,39
157-SA3350	SA3350	Plug	Crimp	2,3	4,43	4,41	4,33	3,95
157-SA3349	SA3349	Socket	Crimp	2,3	6,06	6,02	5,90	5,39
157-SA3348/1	SA3348/1	Plug	Solder	4,6,8	4,02	3,81	3,62	3,44
157-SA3347/1	SA3347/1	Socket	Solder	4,6,8	6,62	6,29	5,97	5,68
157-SA3348	SA3348	Plug	Crimp	4,6,8	3,49	3,47	3,41	3,14
157-SA3347	SA3347	Socket	Crimp	4,6,8	5,59	5,55	5,45	5,01
157-SA3180/1	SA3180/1	Plug	Solder	10,12	2,68	2,67	2,63	2,29
157-SA3179/1	SA3179/1	Socket	Solder	10,12	4,04	4,01	3,94	3,36

Rear Panel Mounting Connectors

- Mates with flex cable version
- Single hole fixing
- Supplied with pre-loaded gold plated contacts
- RoHS Compliant per Bulgin documentation

RoHS Compliant

For quantities greater than listed, call for quote.

MOUSER STOCK NO.	Bulgin Part No.	Fig.	Poles	Price Each			
				1	25	50	100
Plugs							
177-PX0413/04P/PC	PX0413/04P/PC	D	4	5,31	4,93	4,84	4,60
177-PX0413/06P/PC	PX0413/06P/PC	D	6	6,64	6,20	6,07	5,75
177-PX0413/08P/PC	PX0413/08P/PC	D	8	8,06	7,52	7,34	6,92
177-PX0413/10P/PC	PX0413/10P/PC	D	10	8,65	8,13	7,86	7,27
177-PX0413/12P/PC	PX0413/12P/PC	D	12	9,15	8,60	8,31	7,70
Sockets							
167-PX0413/04S/PC	PX0413/04S/PC	D	4	6,07	5,67	5,54	5,23
167-PX0413/06S/PC	PX0413/06S/PC	D	6	7,99	7,42	7,25	6,52
167-PX0413/08S/PC	PX0413/08S/PC	D	8	9,08	8,46	8,27	7,84
167-PX0413/12S/PC	PX0413/12S/PC	D	12	11,63	10,93	10,57	9,80

400 Series Buccaneer® Tools

For quantities greater than listed, call for quote.

MOUSER STOCK NO.	Bulgin Part No.	Description	Price Each	
			1	25
157-13027/2	13027/2	Insertion/Extraction Tool for 2, 3 Pole	5,31	5,05
157-13027/1	13027/1	Insertion/Extraction Tool for 4, 6, 8 Pole	5,31	5,05
157-13027	13027	Insertion/Extraction Tool for 10, 12 Pole	5,42	5,15
			1	5
157-14025	14025	8 Indent Crimp Tool	608,26	553,52
157-14025/8AMP	14025/8AMP	Positioner for 2, 3 Pole - 8A, Blue	105,38	95,89
157-14025/5AMP	14025/5AMP	Positioner for 4, 6, 8 Pole - 5A, Red	105,38	95,89
157-14025/1AMP	14025/1AMP	Positioner for 10, 12 Pole - 1A, Green	76,95	73,10

400 Series Buccaneer® Accessories


- RoHS Compliant per Bulgin documentation

RoHS Compliant

For quantities greater than listed, call for quote.

MOUSER STOCK NO.	Bulgin Part No.	Description	Price Each			
			1	25	50	100
157-PX0481	PX0481	Sealing Cap for PX0410 type	0,95	0,87	0,85	0,736
157-PX0480/1	PX0480/1	Sealing Cap for PX0411 type	0,95	0,87	0,85	0,736
157-PX0480	PX0480	Sealing Cap for PX0412 type	0,95	0,87	0,85	0,736
157-PX0484	PX0484	Sealing Cap for PX0413 type	1,02	0,96	0,947	0,895
157-PX0482	PX0482	Gland Pack for 3-5mm cable dia.	0,67	0,63	0,619	0,552
157-PX0483	PX0483	Gland Pack for 5-7mm cable dia.	0,67	0,63	0,619	0,576

BULGIN Mini and SMB Buccaneer® Sealed Connectors

 This product is RoHS compliant.

MINI BUCCANEER® ENVIRONMENTALLY SEALED CONNECTORS

- Sealed to IP68 when mated
- Cable range from 3.5 to 9mm
- Diameter over coupling ring 26mm
- Positive locating keyways - cannot be mis-mated
- Flammability rating UL94V-0
- Compact design
- Easy assembly - no special tools required on screw terminal versions
- RoHS Compliant per Bulgin documentation



RoHS Compliant

Flex Cable Connector

- Mates with flex in-line or panel mounting versions
- Cable Acceptance: 3.5 - 9mm (Standard 5 - 7mm)
- Suitable for plug or socket inserts sold separately
- Screw locking ring

For quantities greater than listed, call for quote.

MOUSER STOCK NO.	Bulgin Part No.	Fig.	Description	Price Each			
				1	25	50	100
157-PX0800	PX0800	A	Flex cable body	2,72	2,70	2,65	2,47

In-Line Flex Cable Connector

- Mates with flex cable version
- Cable Acceptance: 3.5 - 9mm (Standard 5 - 7mm)
- Suitable for plug or socket inserts sold separately

For quantities greater than listed, call for quote.

MOUSER STOCK NO.	Bulgin Part No.	Fig.	Description	Price Each			
				1	25	50	100
157-PX0801	PX0801	B	In-line flex cable body	2,56	2,55	2,51	2,33

Right Angle Panel Mounting Connector

- Mates with flex cable version
- Right angle cable entry
- Suitable for plug or socket inserts sold separately
- Single hole fixing

For quantities greater than listed, call for quote.

MOUSER STOCK NO.	Bulgin Part No.	Fig.	Description	Price Each			
				1	25	50	100
157-PX0803	PX0803	C	Right angle panel mount body	2,80	2,67	2,44	1,80

Straight Panel Mounting Connector

- Mates with flex cable version
- Complete with sealing cap and retaining clip
- Suitable for plug or socket inserts sold separately
- Single hole fixing

For quantities greater than listed, call for quote.

MOUSER STOCK NO.	Bulgin Part No.	Fig.	Description	Price Each			
				1	25	50	100
157-PX0805	PX0805	D	Straight panel mount body	2,50	2,49	2,45	2,26

Screw Terminal Inserts

- Fits all body styles above
- Nickel plated contacts

For quantities greater than listed, call for quote.

MOUSER STOCK NO.	Bulgin Part No.	Fig.	No. of Poles	Gender	Price Each			
					1	25	50	100
177-SA3320	SA3320	E	2	Plug	3,88	3,64	3,52	3,25
177-SA3230	SA3230	E	3	Plug	3,15	3,13	3,08	2,85
177-SA3241	SA3241	E	4	Plug	3,87	3,85	3,78	3,50
177-SA3243	SA3243	E	6	Plug	4,35	4,33	4,27	3,98
167-SA3319	SA3319	F	2	Socket	3,02	2,82	2,72	2,51
167-SA3229	SA3229	F	3	Socket	5,42	5,39	5,29	4,88
167-SA3242	SA3242	F	4	Socket	5,47	5,43	5,34	4,93
167-SA3244	SA3244	F	6	Socket	5,92	5,88	5,78	5,36

Mini Buccaneer® Accessories

For quantities greater than listed, call for quote.

MOUSER STOCK NO.	Bulgin Part No.	Description	Price Each			
			1	25	50	100
157-PX0811	PX0811	Sealing cap for PX0800	0,95	0,94	0,922	0,834
157-PX0810	PX0810	Sealing cap for PX0801-PX0805	0,92	0,86	0,85	0,785
157-PX0812	PX0812	Gland 3 pack - 3.5-5mm, 6-8mm, 7-9mm	0,33	0,305	0,281	0,231

SMB BUCCANEER® ENVIRONMENTALLY SEALED CONNECTORS

- Sealed to IP68 when mated
- 50Ω Impedance SMB connector
- Frequency range 0-4GHz
- Gold plated contacts
- Diameter over coupling ring 19mm
- Body moulding: Nylon UL94V-0 rated



RoHS Compliant

Pre-Wireable Flex Connector

- Mates with panel mounting version
- Supplied with SMB plug
- For RG-174 cable

For quantities greater than listed, call for quote.

MOUSER STOCK NO.	Bulgin Part No.	Fig.	Description	Price Each			
				1	25	50	100
157-PX0415/1	PX0415/1	G	Re-wireable connector with SMB Plug	8,73	8,22	8,18	8,03

Pre-Wired Flex Connectors

- Mates with panel mounting version
- Supplied with SMB plug terminated with RG-174 cable
- Overmoulded construction

For quantities greater than listed, call for quote.

MOUSER STOCK NO.	Bulgin Part No.	Fig.	Description	Price Each			
				1	25	50	100
157-PX0416/1M00	PX0416/1M00	H	Pre-wired with SMB plug - 1m cable length	9,56	8,99	8,95	8,78
157-PX0416/3M00	PX0416/3M00	H	Pre-wired with SMB plug - 3m cable length	11,23	10,57	10,53	10,34
157-PX0416/5M00	PX0416/5M00	H	Pre-wired with SMB plug - 5m cable length	12,98	12,21	12,16	11,92

Panel Mounting Connectors

- Mates with re-wireable and pre-wired flex versions
- Supplied with SMB jack terminated with RG-174 cable
- Single hole fixing

For quantities greater than listed, call for quote.

MOUSER STOCK NO.	Bulgin Part No.	Fig.	Description	Price Each			
				1	25	50	100
157-PX0414/0M50	PX0414/0M50	I	Panel mount with SMB jack - 0.5m cable length	13,96	12,92	12,87	12,63
157-PX0414/1M00	PX0414/1M00	I	Panel mount with SMB jack - 1.0m cable length	22,77	21,14	18,69	15,44
157-PX0414/1M50	PX0414/1M50	I	Panel mount with SMB jack - 1.5m cable length	15,28	14,36	14,30	14,02

SMB Buccaneer® Accessories

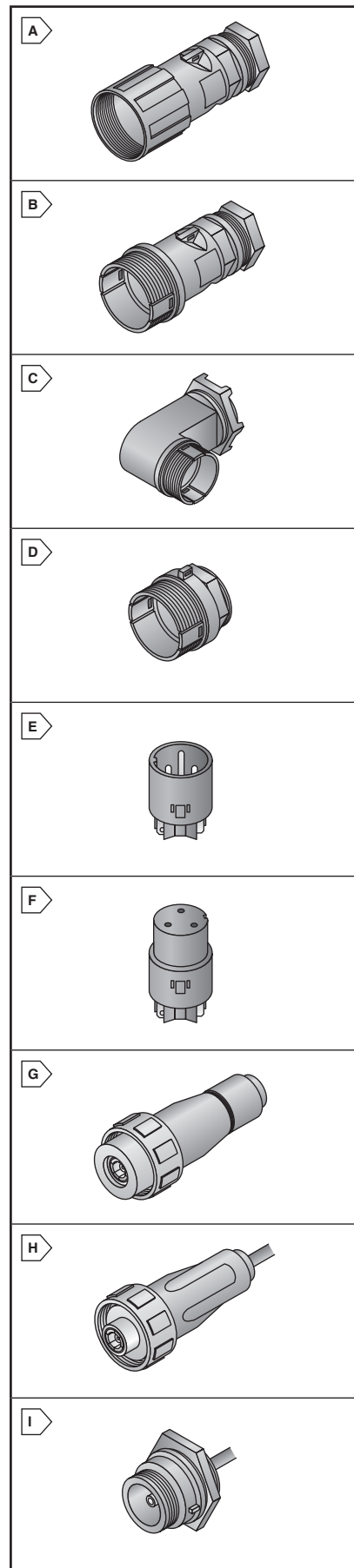
For quantities greater than listed, call for quote.

MOUSER STOCK NO.	Bulgin Part No.	Description	Price Each			
			1	25	50	100
157-PX0480	PX0480	Sealing Cap for PX0414 panel mount connector	0,95	0,87	0,85	0,736
157-PX0481	PX0481	Sealing Cap for PX0415 re-wireable flex connector	0,95	0,87	0,85	0,736
157-PX0485	PX0485	Sealing Cap for PX0416 overmoulded flex connector	0,86	0,83	0,813	0,773

SMB Buccaneer® Tool

For quantities greater than listed, call for quote.

MOUSER STOCK NO.	Bulgin Part No.	Description	Price Each	
			1	5
157-14319	14319	Hand crimp tool for SMB connectors	225,10	204,84



Circular Connectors

Bulgin

HARWIN C90 Series Circular Connectors **HARWIN**

RoHS Compliant **This product is RoHS compliant.**

HARWIN MIL-DTL-5015 COMPATIBLE CIRCULAR CONNECTORS

Highly durable threaded, circular Military and Commercial connectors designed for use in fixed or mobile equipment. They are particularly suitable for commercial, industrial equipment, machine tools, robotics and automation applications requiring low cost and high reliability. This RoHS compliant range of connectors are fully compatible with the MIL-DTL-5015 standard and ensures these connectors are intermateable as well as being fully sealed against water and dust ingress. The aluminium alloy body is finished in black and provides good resistance to corrosion, while each contact is rated to 13A (test current).

Specification:

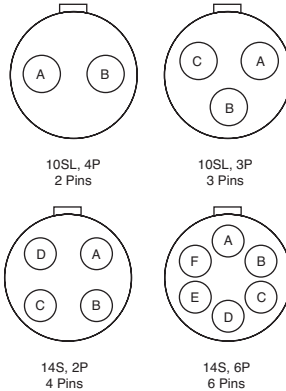
- Current Rating: 13A
- Insulation Resistance: 5,000 MΩ Minimum
- Voltage Rating AC: 10SL = 500 14S = 200
- Dust cap with external thread for use with Straight Plugs (C90-3106F)
- Supplied fitted with chain
- Wire Size: 16 to 22 AWG
- Water Resistance (sealing): 1.8m for 48 hours (exceeds IP67)
- Voltage rating DC: 10SL = 700 14SL = 700
- Durability: 500 Cycles
- Operating Temperature: -55°C to 125°C
- Dust cap with internal thread for use with Cable connectors (C90-3101F) and Panel Mount connectors (C90-3102R)

Environmental Test Data:

- Vibration: MIL-STD-1344 Method 2005. 10 ~ 500Hz (10G)
- Shock: 50G/ Time 11 ± 1 μ sec. Test Current 100mA
- Salt Spray: MIL-STD-1344 Method 1001. Salt solution 5% 48 hrs
- Humidity: 95% ± 3% temperature 71°C ± 2°C

Materials:

- Housing: Aluminium Alloy, Zinc with Black Chromate finish
- Contacts: Copper Alloy with Silver plate finish
- Insulators & Seals: Synthetic Rubber



Cable Mount Receptacles



For quantities greater than listed, call for quote.

MOUSER STOCK NO.	Harwin Part No.	Fig.	Insert Type	Number of Contacts	Price Each			
					1	10	25	50
855-C90-3101F10SL-4P	C90-3101F10SL-4P	A	Male	2	10,44	10,07	9,74	8,84
855-C90-3101F10SL-4S	C90-3101F10SL-4S	A	Female	2	11,56	11,15	10,78	9,77
855-C90-3101F10SL-3P	C90-3101F10SL-3P	A	Male	3	10,80	10,41	10,06	9,13
855-C90-3101F10SL-3S	C90-3101F10SL-3S	A	Female	3	12,05	11,62	11,22	10,19
855-C90-3101F14S-2P	C90-3101F14S-2P	A	Male	4	10,91	10,53	10,17	9,23
855-C90-3101F14S-2S	C90-3101F14S-2S	A	Female	4	13,01	12,55	12,12	11,01
855-C90-3101F14S-6P	C90-3101F14S-6P	A	Male	6	11,36	10,97	10,59	9,61
855-C90-3101F14S-6S	C90-3101F14S-6S	A	Female	6	13,35	12,88	12,44	11,29

Panel Mount Receptacles



For quantities greater than listed, call for quote.

MOUSER STOCK NO.	Harwin Part No.	Fig.	Insert Type	Number of Contacts	Price Each			
					1	10	25	50
855-C90-3102R10SL-4P	C90-3102R10SL-4P	B	Male	2	5,41	5,22	5,05	4,58
855-C90-3102R10SL-4S	C90-3102R10SL-4S	B	Female	2	5,87	5,66	5,48	4,97
855-C90-3102R10SL-3P	C90-3102R10SL-3P	B	Male	3	5,86	5,64	5,45	4,95
855-C90-3102R10SL-3S	C90-3102R10SL-3S	B	Female	3	6,53	6,30	6,09	5,53
855-C90-3102R14S-2P	C90-3102R14S-2P	B	Male	4	6,03	5,82	5,62	5,09
855-C90-3102R14S-2S	C90-3102R14S-2S	B	Female	4	6,85	6,61	6,38	5,79
855-C90-3102R14S-6P	C90-3102R14S-6P	B	Male	6	6,90	6,64	6,42	5,83
855-C90-3102R14S-6S	C90-3102R14S-6S	B	Female	6	8,16	7,87	7,61	6,90

Cable Mount Plugs



For quantities greater than listed, call for quote.

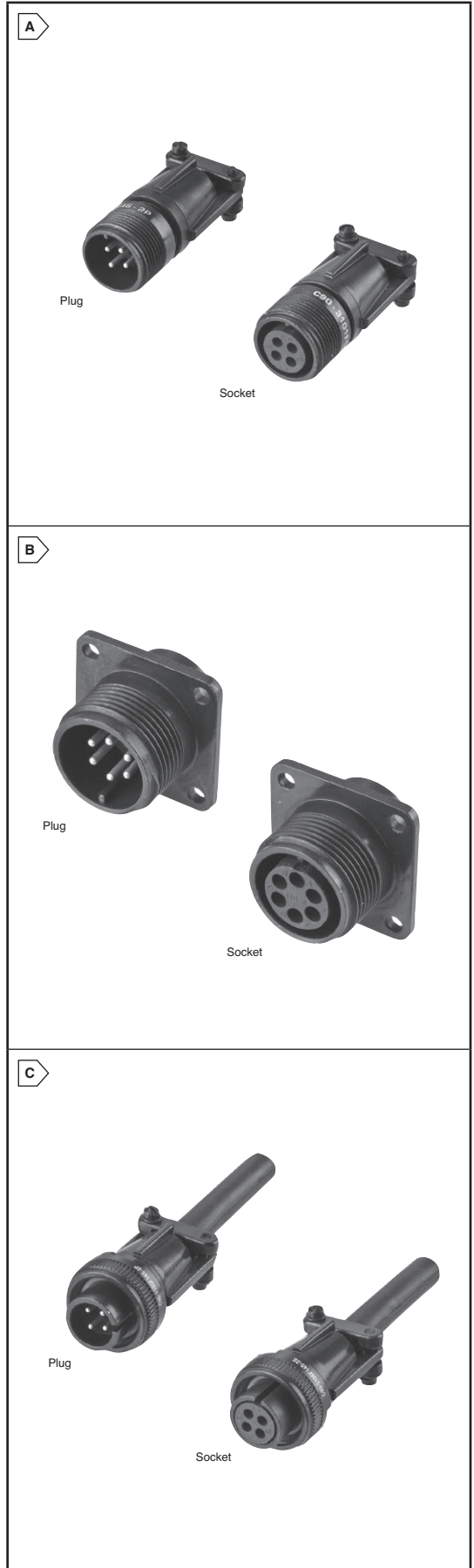
MOUSER STOCK NO.	Harwin Part No.	Fig.	Insert Type	Number of Contacts	Price Each			
					1	10	25	50
855-C90-3106F10SL-4P	C90-3106F10SL-4P	C	Male	2	11,09	10,70	10,34	9,39
855-C90-3106F10SL-4S	C90-3106F10SL-4S	C	Female	2	12,07	11,64	11,25	10,20
855-C90-3106F10SL-3P	C90-3106F10SL-3P	C	Male	3	11,40	11,00	10,62	9,65
855-C90-3106F10SL-3S	C90-3106F10SL-3S	C	Female	3	12,36	11,91	11,51	10,45
855-C90-3106F14S-2P	C90-3106F14S-2P	C	Male	4	12,35	11,91	11,51	10,45
855-C90-3106F14S-2S	C90-3106F14S-2S	C	Female	4	13,43	12,95	12,52	11,36
855-C90-3106F14S-6P	C90-3106F14S-6P	C	Male	6	12,77	12,32	11,90	10,80
855-C90-3106F14S-6S	C90-3106F14S-6S	C	Female	6	14,08	13,59	13,13	11,91

Dust Covers



For quantities greater than listed, call for quote.

MOUSER STOCK NO.	Harwin Part No.	Description	Price Each			
			1	10	25	50
855-C90-25042-10SL	C90-25042-10SL	Cap with External thread, for use with 10SL shell size	6,60	6,36	6,14	5,59
855-C90-25042-14S	C90-25042-14S	Cap with External thread, for use with 14S shell size	9,49	9,16	8,85	8,03
855-C90-25043-10SL	C90-25043-10SL	Cap with Internal thread, for use with 10SL shell size	5,31	5,11	4,94	4,49
855-C90-25043-14S	C90-25043-14S	Cap with Internal thread, for use with 14S shell size	7,21	6,95	6,72	6,11



Circular Connectors
Harwin

CONXALL Mini-Con-X® and Multi-Con-X® Series



This product is RoHS compliant.

*Amperage is limited by wire specifications

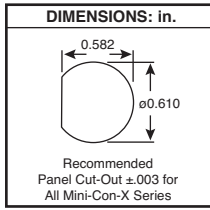
For quantities greater than listed, call for quote.

MINI-CON-X® SHIELDED FIELD INSTALLABLE CONNECTORS (CONT.)

Low-cost shielded connectors for industrial and marine applications.

Features:

- Protects circuits from EMI and RF interference
- Rugged machined metal housing and construction
- Scoop-proof connector design
- Same panel cutout as MINI-CON-X®
- Suitable for use in hostile environments
- RoHS compliant per Conxall documentation

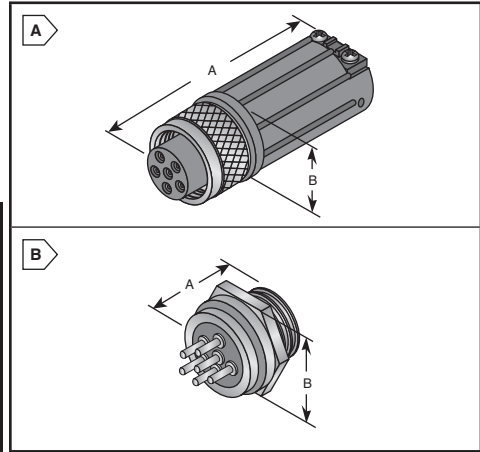


Specifications:

- Panel Shell, Cable Housing and Coupling Nuts: Nickel plated copper alloy
- Backshell and Strap: G.F. Nylon
- Operational Temperature limits: -40°C (-40°F) to +65°C (+149°F)
- Harsh Environment IP66/IP68, Shielded



RoHS Compliant



MOUSER STOCK NO.	Conxall Part No.	Fig.	No. of Contacts	Contact Type	Contact Size	Contact Rating*	Dimension: in.		Price Each		
							A	B	1	10	25
Cable End (Cont.)											
502-SF6282-4SG-520	SF6282-4SG-520	A	4	Socket	20	5.6A	1.78	0.76	16,23	12,17	11,10
502-SF6382-4PG-520	SF6382-4PG-520	A	4	Pin	16	9.75A	1.78	0.76	18,09	13,57	12,39
502-SF6382-4SG-520	SF6382-4SG-520	A	4	Socket	16	9.75A	1.78	0.76	19,60	14,70	13,42
502-SF6282-5PG-520	SF6282-5PG-520	A	5	Pin	20	5.6A	1.78	0.76	16,10	12,07	11,02
502-SF6282-5SG-520	SF6282-5SG-520	A	5	Socket	20	5.6A	1.78	0.76	18,65	13,99	12,77
502-SF6382-5PG-520	SF6382-5PG-520	A	5	Pin	16	9.75A	1.78	0.76	18,88	14,17	12,94
502-SF6382-5SG-520	SF6382-5SG-520	A	5	Socket	16	9.75A	1.78	0.76	19,81	14,77	13,33
502-SF6282-6PG-520	SF6282-6PG-520	A	6	Pin	20	5.6A	1.78	0.76	17,26	12,94	11,81
502-SF6282-6SG-520	SF6282-6SG-520	A	6	Socket	20	5.6A	1.78	0.76	18,58	14,33	13,48
502-SF6382-6PG-520	SF6382-6PG-520	A	6	Pin	16	9.75A	1.78	0.76	19,68	14,76	13,47
502-SF6382-6SG-520	SF6382-6SG-520	A	6	Socket	16	9.75A	1.78	0.76	22,46	16,84	15,37
502-SF6282-7PG-520	SF6282-7PG-520	A	7	Pin	20	4.8A	1.78	0.76	17,30	12,97	11,86
502-SF6282-7SG-520	SF6282-7SG-520	A	7	Socket	20	4.8A	1.78	0.76	19,96	15,03	13,82
502-SF6282-8PG-520	SF6282-8PG-520	A	8	Pin	20	4.8A	1.78	0.76	18,19	13,64	12,46
502-SF6282-8SG-520	SF6282-8SG-520	A	8	Socket	20	4.8A	1.78	0.76	21,38	16,03	14,63

MOUSER STOCK NO.	Conxall Part No.	Fig.	No. of Contacts	Contact Type	Contact Size	AWG	Contact Rating*	Dimension: in.		Price Each		
								A	B	1	10	25
Panel Mount (with hex nut and flanged gasket)												
502-SF7282-2PG-3ES	SF7282-2PG-3ES	B	2	Pin	20	7.5A	0.826	0.87	12,89	9,66	8,82	
502-SF7282-2SG-3ES	SF7282-2SG-3ES	B	2	Socket	20	7.5A	0.826	0.87	13,29	9,88	9,10	
502-SF7382-2PG-3ES	SF7382-2PG-3ES	B	2	Pin	16	13A	0.826	0.87	14,07	10,55	9,63	
502-SF7382-2SG-3ES	SF7382-2SG-3ES	B	2	Socket	16	13A	0.826	0.87	14,45	10,83	9,89	
502-SF7282-3PG-3ES	SF7282-3PG-3ES	B	3	Pin	20	7.5A	0.826	0.87	14,12	10,59	9,67	
502-SF7282-3SG-3ES	SF7282-3SG-3ES	B	3	Socket	20	7.5A	0.826	0.87	14,75	11,06	10,10	
502-SF7382-3PG-3ES	SF7382-3PG-3ES	B	3	Pin	16	13A	0.826	0.87	15,43	11,57	10,56	
502-SF7382-3SG-3ES	SF7382-3SG-3ES	B	3	Socket	16	13A	0.826	0.87	16,24	12,17	11,11	
502-SF7282-4PG-3ES	SF7282-4PG-3ES	B	4	Pin	20	5.6A	0.826	0.87	18,28	13,77	12,58	
502-SF7282-4SG-3ES	SF7282-4SG-3ES	B	4	Socket	20	5.6A	0.826	0.87	14,93	11,20	10,23	
502-SF7382-4PG-3ES	SF7382-4PG-3ES	B	4	Pin	16	9.75A	0.826	0.87	16,83	12,62	11,52	
502-SF7382-4SG-3ES	SF7382-4SG-3ES	B	4	Socket	16	9.75A	0.826	0.87	17,28	12,95	11,83	
502-SF7282-5PG-3ES	SF7282-5PG-3ES	B	5	Pin	20	5.6A	0.826	0.87	14,12	10,59	9,67	
502-SF7282-5SG-3ES	SF7282-5SG-3ES	B	5	Socket	20	5.6A	0.826	0.87	16,61	12,47	11,38	
502-SF7382-5PG-3ES	SF7382-5PG-3ES	B	5	Pin	16	9.75A	0.826	0.87	16,90	12,81	11,62	
502-SF7382-5SG-3ES	SF7382-5SG-3ES	B	5	Socket	16	9.75A	0.826	0.87	18,93	14,19	12,96	
502-SF7282-6PG-3ES	SF7282-6PG-3ES	B	6	Pin	20	5.6A	0.826	0.87	15,44	11,63	10,71	
502-SF7282-6SG-3ES	SF7282-6SG-3ES	B	6	Socket	20	5.6A	0.826	0.87	17,53	13,15	12,00	
502-SF7382-6PG-3ES	SF7382-6PG-3ES	B	6	Pin	16	9.75A	0.826	0.87	18,29	13,72	12,53	
502-SF7382-6SG-3ES	SF7382-6SG-3ES	B	6	Socket	16	9.75A	0.826	0.87	19,97	14,98	13,68	
502-SF7282-7PG-3ES	SF7282-7PG-3ES	B	7	Pin	20	4.8A	0.826	0.87	16,69	12,52	11,43	
502-SF7282-7SG-3ES	SF7282-7SG-3ES	B	7	Socket	20	4.8A	0.826	0.87	18,46	13,84	12,64	
502-SF7282-8PG-3ES	SF7282-8PG-3ES	B	8	Pin	20	4.8A	0.826	0.87	16,03	12,04	11,00	
502-SF7282-8SG-3ES	SF7282-8SG-3ES	B	8	Socket	20	4.8A	0.826	0.87	19,02	14,26	13,03	

MULTI-CON-X® SHIELDED FIELD INSTALLABLE CONNECTORS

Low cost Standard connectors for Industrial and Marine Applications

The all plastic connector is corrosion resistant, non-conductive and withstands substantial abuse, hostile environments, and heavy impacts that would otherwise cause metal connectors to corrode.

deform or become electrically conductive and thus become unusable or unsafe.

*Amperage is limited also by wire specifications. 3DC=Daisy chain grommet with 3 I.D.'s (.125, .188, .250)

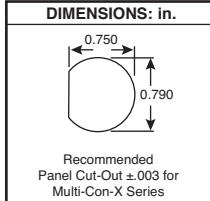


RoHS Compliant

Features:

- Solder Cup Termination
- Corrosion resistant and non-conductive connectors
- Suitable for use in hostile environments
- Coupling rings have overriding locking feature to prevent loosening or separation of connector
- RoHS compliance per Conxall documentation

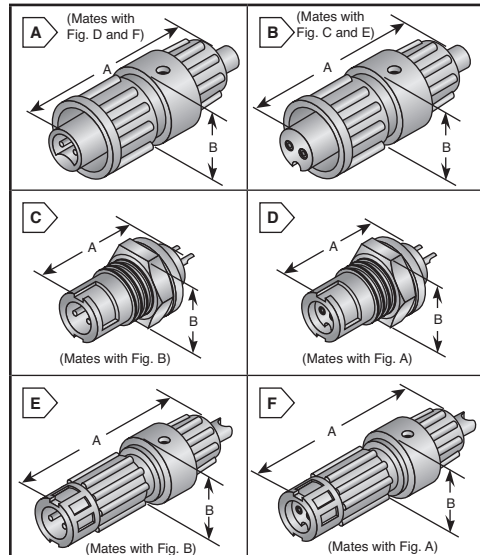
- UL Recognized File # E138878-250V
- CSA Certified File # LR89277-600V
- 3DC - Daisy Chain grommet 3 I.D.'s (.125", .188", .250")



Recommended Panel Cut-Out ±.003 for Multi-Con-X Series

Specifications:

- Connector body & Backshell: Black Nylon
- Connector: Gold over Nickel
- Grommet: Black Santoprene Rubber
- Voltage: 600V
- Watertight: Up to IP67/NEMA 6P
- Durability: Minimum 300 mate/unmate cycles w/out mechanical or electrical failure
- Temperature Rating: -55°C to +125°C (-67°F to +257°F)



MOUSER STOCK NO.	Conxall Part No.	Fig.	No. of Contacts	Contact Type	Contact Size	AWG	Contact Rating*	Dimension: in.		Price Each		
								A	B	1	10	25
Cable End												
502-3182-2PG-3DC	3182-2PG-3DC	A	2	Pin	12	12-16	23A	1.570	0.875	5,58	4,24	3,89
502-3182-2SG-3DC	3182-2SG-3DC	B	2	Socket	12	12-16	23A	1.570	0.875	6,86	5,20	4,79
502-3182-3PG-3DC	3182-3PG-3DC	A	3	Pin	12	12-16	23A	1.570	0.875	6,12	4,97	4,56
502-3182-3SG-3DC	3182-3SG-3DC	B	3	Socket	12	12-16	23A	1.570	0.875	8,23	6,23	5,72
502-3282-4PG-3DC	3282-4PG-3DC	A	4	Pin	20	20-24	5.6A	1.570	0.875	6,24	4,73	4,35
502-3282-4SG-3DC	3282-4SG-3DC	B	4	Socket	20	20-24	5.6A	1.570	0.875	7,94	6,02	5,54
502-3282-5PG-3DC	3282-5PG-3DC	A	5	Pin	20	20-24	5.6A	1.570	0.875	6,80	5,17	4,74
502-3282-6PG-3DC	3282-6PG-3DC	A	6	Pin	20	20-24	5.6A	1.570	0.875	7,39	5,60	5,16
502-3282-6SG-3DC	3282-6SG-3DC	B	6	Socket	20	20-24	5.6A	1.570	0.875	9,71	7,34	6,76
502-3282-7PG-3DC	3282-7PG-3DC	A	7	Pin	20	20-24	4.8A	1.570	0.875	7,96	6,03	5,54
502-3282-7SG-3DC	3282-7SG-3DC	B	7	Socket	20	20-24	4.8A	1.570	0.875	10,57	7,98	7,34
502-3282-8PG-3DC	3282-8PG-3DC	A	8	Pin	20	20-24	4.8A	1.570	0.875	8,49	6,43	5,91
502-3282-8SG-3DC	3282-8SG-3DC	B	8	Socket	20	20-24	4.8A	1.570	0.875	11,41	8,61	7,91
502-3282-9PG-3DC	3282-9PG-3DC	A	9	Pin	20	20-24	4.8A	1.570	0.875	9,03	6,82	6,28
502-3282-9SG-3DC	3282-9SG-3DC	B	9	Socket	20	20-24	4.8A	1.570	0.875	12,27	9,26	8,51
Panel Mount (with hex nut and flanged gasket)												
502-4182-2PG-300	4182-2PG-300	C	2	Pin	12	12-16	23A	0.625	1.155	3,92	2,94	2,69
502-4182-2SG-300	4182-2SG-300	D	2	Socket	12	12-16	23A	0.625	1.155	4,74	3,56	3,23
502-4182-3PG-300	4182-3PG-300	C	3	Pin	12	12-16	23A	0.625	1.155	4,89	3,66	3,36
502-4182-3SG-300	4182-3SG-300	D	3	Socket	12	12-16	23A	0.625	1.155	6,11	4,58	4,20
502-4282-4PG-300	4282-4PG-300	C	4	Pin	20	20-24	5.6A	0.625	1.155	4,55	3,40	3,11
502-4282-4SG-300	4282-4SG-300	D	4	Socket	20	20-24	5.6A	0.625	1.155	5,46	4,09	3,74
502-4282-5SG-300	4282-5SG-300	D	5	Socket	20	20-24	5.6A	0.625	1.155	5,65	4,80	4,42
502-4282-6PG-300	4282-6PG-300	C	6	Pin	20	20-24	5.6A	0.625	1.155	5,70	4,27	3,91
502-4282-6SG-300	4282-6SG-300	D	6	Socket	20	20-24	5.6A	0.625	1.155	7,07	5,31	4,86
502-4282-7PG-300	4282-7PG-300	C	7	Pin	20	20-24	4.8A	0.625	1.155	6,26	4,69	4,30
502-4282-8PG-300	4282-8PG-300	C	8	Pin	20	20-24	4.8A	0.625	1.155	6,82	5,12	4,68
502-4282-8SG-300	4282-8SG-300	D	8	Socket	20	20-24	4.8A	0.625	1.155	8,78	6,58	6,04
502-4282-9PG-300	4282-9PG-300	C	9	Pin	20	20-24	4.8A	0.625	1.155	7,36	5,50	5,04
502-4282-9SG-300	4282-9SG-300	D	9	Socket	20	20-24	4.8A	0.625	1.155	9,52	7,14	6,54
Cable to Cable												
502-5182-2PG-3DC	5182-2PG-3DC	E	2	Pin	12	12-1						

HIROSE Circular Connectors

This product is RoHS compliant.

HRS
HIROSE ELECTRIC CO., LTD.

Shell Size	LF07		LF10		LF13	
Contact Configuration						
No. of Contacts	3	6	4	12	11	20

LF SERIES MINIATURE WATERPROOF SHIELDED CONNECTORS

All components are self-aligning and do not require complex assembly tooling. The shield of the cable is connected using a simple shielding clamp, supplied with the connector with the metal housing of the connector.

RoHS Compliant

- Features:**
- Short turn bayonet lock
 - Contact Plating: Gold
 - IP67
- Applications:**
- Sensors
 - Robots
 - Factory Automation
 - Medical
 - Surveillance
 - Surveying Instruments

Plugs For quantities greater than listed, call for quote.

MOUSER STOCK NO.	Hirose Part No.	Fig.	Shell Size	No. of Contacts	Current Rating	Contact Gender	Price Each			
							1	10	50	100
798-LF07WBP-6S	LF07WBP-6S	A	7	6	2A	Female	11,42	10,74	9,74	9,41
798-LF07WBP-6P	LF07WBP-6P	A	7	6	2A	Male	11,19	10,53	9,55	9,22
798-LF07WBP-3S	LF07WBP-3S	A	7	3	5A	Female	11,53	10,85	9,83	9,49
798-LF07WBP-3P	LF07WBP-3P	A	7	3	5A	Male	11,53	10,85	9,83	9,49
798-LF10WBP-4S	LF10WBP-4S	A	10	4	10A	Female	12,77	12,02	10,89	10,52
798-LF10WBP-4P	LF10WBP-4P	A	10	4	10A	Male	12,77	12,01	10,88	10,51
798-LF10WBP-12S	LF10WBP-12S	A	10	12	2A	Female	14,45	13,60	12,33	11,90
798-LF10WBP-12P	LF10WBP-12P	A	10	12	2A	Male	13,97	13,15	11,91	11,50
798-LF13WBP-20S	LF13WBP-20S	A	13	20	2A	Female	16,95	16,39	15,26	14,69
798-LF13WBP-20P	LF13WBP-20P	A	13	20	2A	Male	16,21	15,67	14,59	14,05
798-LF13WBP-11S	LF13WBP-11S	A	13	11	10A / 2A	Female	16,71	16,15	15,03	14,48
798-LF13WBP-11P	LF13WBP-11P	A	13	11	10A / 2A	Male	16,58	16,03	14,92	14,37

Receptacles For quantities greater than listed, call for quote.

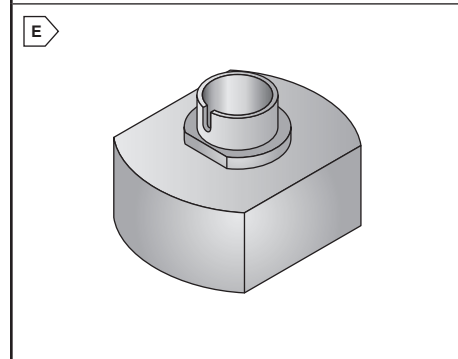
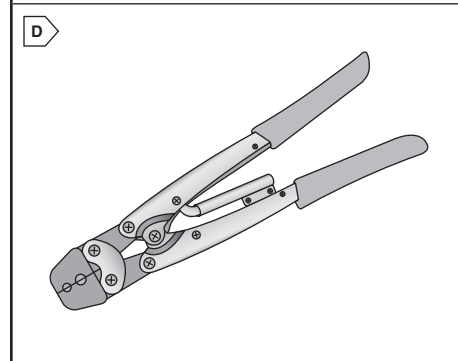
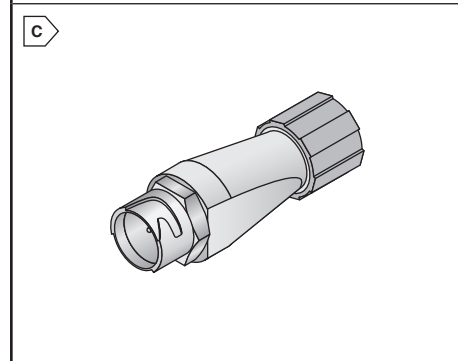
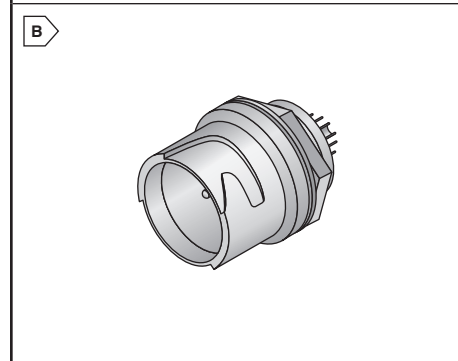
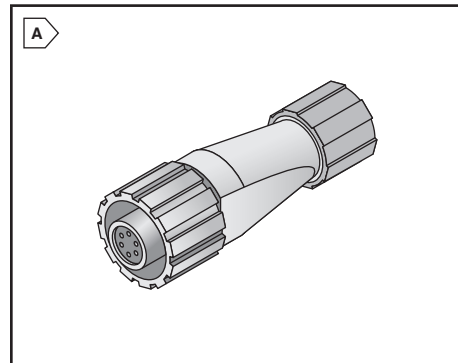
MOUSER STOCK NO.	Hirose Part No.	Fig.	Shell Size	No. of Contacts	Current Rating	Contact Gender	Price Each			
							1	10	50	100
798-LF07WBR-6S	LF07WBR-6S	B	7	6	2A	Female	7,29	6,34	5,70	5,07
798-LF07WBR-6P	LF07WBR-6P	B	7	6	2A	Male	6,98	6,07	5,46	4,86
798-LF07WBR-3S	LF07WBR-3S	B	7	3	5A	Female	7,14	6,20	5,58	4,96
798-LF07WBR-3P	LF07WBR-3P	B	7	3	5A	Male	7,14	6,20	5,58	4,96
798-LF10WBR-4S	LF10WBR-4S	B	10	4	10A	Female	8,22	7,14	6,43	5,72
798-LF10WBR-4P	LF10WBR-4P	B	10	4	10A	Male	8,22	7,14	6,43	5,72
798-LF10WBR-12S	LF10WBR-12S	B	10	12	2A	Female	9,37	8,67	7,77	7,26
798-LF10WBR-12P	LF10WBR-12P	B	10	12	2A	Male	8,83	8,16	7,32	6,83
798-LF13WBR-20S	LF13WBR-20S	B	13	20	2A	Female	11,07	10,41	9,44	9,11
798-LF13WBR-20P	LF13WBR-20P	B	13	20	2A	Male	12,00	11,10	9,96	9,30
798-LF13WBR-11S	LF13WBR-11S	B	13	11	10A / 2A	Female	12,64	11,68	10,48	9,79
798-LF13WBR-11P	LF13WBR-11P	B	13	11	10A / 2A	Male	12,38	11,44	10,26	9,59

Jacks For quantities greater than listed, call for quote.

MOUSER STOCK NO.	Hirose Part No.	Fig.	Shell Size	No. of Contacts	Current Rating	Contact Gender	Price Each			
							1	10	50	100
798-LF07WBJ-6S	LF07WBJ-6S	C	7	6	2A	Female	12,28	11,35	10,19	9,51
798-LF07WBJ-6P	LF07WBJ-6P	C	7	6	2A	Male	12,03	11,12	9,97	9,31
798-LF07WBJ-3S	LF07WBJ-3S	C	7	3	5A	Female	12,16	11,24	10,09	9,42
798-LF07WBJ-3P	LF07WBJ-3P	C	7	3	5A	Male	12,16	11,24	10,09	9,42
798-LF10WBJ-4S	LF10WBJ-4S	C	10	4	10A	Female	11,57	10,89	9,86	9,52
798-LF10WBJ-4P	LF10WBJ-4P	C	10	4	10A	Male	11,54	10,87	9,83	9,50
798-LF10WBJ-12S	LF10WBJ-12S	C	10	12	2A	Female	13,21	12,43	11,27	10,88
798-LF10WBJ-12P	LF10WBJ-12P	C	10	12	2A	Male	12,76	12,01	10,88	10,51
798-LF13WBJ-20S	LF13WBJ-20S	C	13	20	2A	Female	15,22	14,71	13,70	13,19
798-LF13WBJ-20P	LF13WBJ-20P	C	13	20	2A	Male	14,48	13,98	13,02	12,55
798-LF13WBJ-11S	LF13WBJ-11S	C	13	11	10A / 2A	Female	14,97	14,47	13,47	12,98
798-LF13WBJ-11P	LF13WBJ-11P	C	13	11	10A / 2A	Male	14,73	14,22	13,24	12,76

Tools and Accessories For quantities greater than listed, call for quote.

MOUSER STOCK NO.	Hirose Part No.	Fig.	Description	Price Each
Hand Tool				
798-LF-TC-01	LF-TC-01	D	Cable clamp tool crimp 7.3-8.7 diameter cable	503,64
Solder Termination Fixtures				
798-LF07BP-T01	LF07BP-T01	E	Solder fixture for LF07WBP-6S, 6P, 3S, 3P	17,57
798-LF07BJ-T01	LF07BJ-T01	E	Solder fixture for LF07WBJ-6S, 6P, 3S, 3P	53,01
798-LF10BP-T01	LF10BP-T01	E	Solder fixture for LF10WBP-4S, 4P, 12S, 12P	17,57
798-LF10BJ-T01	LF10BJ-T01	E	Solder fixture for LF10WBJ-4S, 4P, 12S, 12P	53,01
798-LF13BP-T01	LF13BP-T01	E	Solder fixture for LF13WBP-20SP, 11SP	16,09
798-LF13BJ-T01	LF13BJ-T01	E	Solder fixture for LF13WBJ-20SP, 11SP	53,01



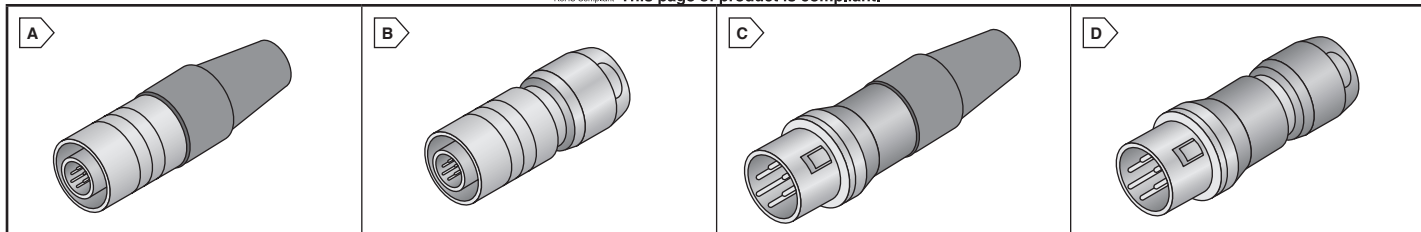
Circular Connectors
Hirose

HIROSE Circular Connectors



HIROSE ELECTRIC CO., LTD.

RoHS Compliant This page of product is compliant.



HR10 SERIES, PUSH-PULL METAL CONNECTORS

Plugs

For quantities greater than listed, call for quote.

MOUSER STOCK NO.	Hirose Part No.	Fig.	Number of Contacts	Shell Size	Price Each		
					1	10	50
Economy Crimp Type - Male							
798-HR10A-7P-4PC73	HR10A-7P-4PC(73)	A	4	7	10,36	9,58	8,59
798-HR10A-7P-6PC73	HR10A-7P-6PC(73)	A	6	7	9,75	9,01	8,08
798-HR10A-10P-10PC73	HR10A-10P-10PC(73)	A	10	10	11,41	10,73	9,74
798-HR10A-10P-12PC73	HR10A-10P-12PC(73)	A	12	10	11,11	10,45	9,47
Economy Crimp Type - Female							
798-HR10A-7P-4SC73	HR10A-7P-4SC(73)	A	4	7	10,48	9,69	8,70
798-HR10A-7P-6SC73	HR10A-7P-6SC(73)	A	6	7	10,48	9,69	8,70
798-HR10A-10P-10SC73	HR10A-10P-10SC(73)	A	10	10	11,62	10,94	9,92
798-HR10A-10P-12SC73	HR10A-10P-12SC(73)	A	12	10	11,62	10,94	9,92
Solder Type - Male - Gold							
798-HR10-7P-6P73	HR10-7P-6P(73)	B	6	7	13,52	12,72	11,53
798-HR10-7P-4P73	HR10-7P-4P(73)	B	4	7	12,75	12,00	10,88
798-HR10-10P-12P73	HR10-10P-12P(73)	B	12	10	14,85	14,35	13,36
Economy Solder Type - Male - Gold							
798-HR10A7P4P74	HR10A-7P-4P(74)	A	4	7	11,20	10,36	9,30
798-HR10A7P6P74	HR10A-7P-6P(74)	A	6	7	11,81	10,92	9,80
798-HR10A10P10P74	HR10A-10P-10P(74)	A	10	10	12,86	12,09	10,96
798-HR10A13P20P74	HR10A-13P-20P(74)	A	20	13	30,07	29,06	27,06
Solder Type - Female - Gold							
798-HR10-7P-4S73	HR10-7P-4S(73)	B	4	7	13,24	12,80	11,91
798-HR10-7P-6S73	HR10-7P-6S(73)	B	6	7	14,85	14,36	13,37
798-HR10-10P-12S73	HR10-10P-12S(73)	B	12	10	20,91	20,21	18,82
Economy Solder Type - Female - Gold							
798-HR10A7P6S74	HR10A-7P-6S(74)	A	6	7	11,50	10,63	9,55
798-HR10A10P10S74	HR10A-10P-10S(74)	A	10	10	11,57	10,88	9,87
Economy Solder Type - Male - Silver							
798-HR10A-7P-4P73	HR10A-7P-4P(73)	A	4	7	10,69	9,88	8,87
798-HR10A-7P-5P73	HR10A-7P-5P(73)	A	5	7	11,09	10,25	9,19
798-HR10A-7P-6P73	HR10A-7P-6P(73)	A	6	7	11,32	10,46	9,38
798-HR10A-10P-10P73	HR10A-10P-10P(73)	A	10	10	11,61	10,92	9,89
798-HR10A-10P-12P73	HR10A-10P-12P(73)	A	12	10	13,36	12,57	11,39
798-HR10A-13P-20P73	HR10A-13P-20P(73)	A	20	13	28,09	27,14	25,27
Economy Solder Type - Female - Silver							
798-HR10A-7P-4S73	HR10A-7P-4S(73)	A	4	7	10,48	9,68	8,69
798-HR10A-7P-5S73	HR10A-7P-5S(73)	A	5	7	10,59	9,78	8,79
798-HR10A-7P-6S73	HR10A-7P-6S(73)	A	6	7	10,73	9,91	8,89
798-HR10A-10P-10S73	HR10A-10P-10S(73)	A	10	10	12,80	11,83	10,62
798-HR10A-10P-12S73	HR10A-10P-12S(73)	A	12	10	12,42	11,69	10,58
798-HR10A-13P-20S73	HR10A-13P-20S(73)	A	20	13	33,61	31,92	30,60
Economy Threaded Coupling - Solder Type - Male - Silver							
798-HR10A7TP6P73	HR10A-7TP-6P(73)	A	6	7	14,48	13,99	13,03
798-HR10A10TP12P73	HR10A-10TP-12P(73)	A	12	10	18,56	17,94	16,70
Economy Threaded Coupling - Solder Type - Female - Silver							
798-HR10A10TPA12S73	HR10A-10TPA-12S(73)	A	12	10	19,18	18,53	17,25
Economy Threaded Coupling - Solder Type - Female - Gold							
798-HR10A13TPD20S74	HR10A-13TPD-20S(74)	A	20	13	43,31	41,14	39,44
Economy Threaded Coupling - Solder Type - Male - Silver							
798-HR10A10WTP12P73	HR10A-10WTP-12P(73)	A	12	10	18,81	18,17	16,92
Economy Threaded Coupling - Solder Type - Male - Gold							
798-HR10A10WTP12P74	HR10A-10WTP-12P(74)	A	12	10	19,80	19,13	17,81

Jacks

For quantities greater than listed, call for quote.

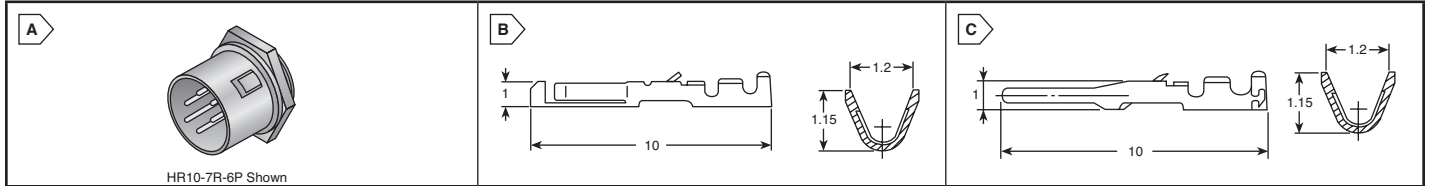
Economy Crimp Type - Female							
798-HR10A10J10SC73	HR10A-10J-10SC(73)	C	10	10	11,46	10,78	9,77
Solder Type - Male - Gold							
798-HR10-7J-4P73	HR10-7J-4P(73)	D	4	7	11,06	10,41	9,44
798-HR10-7J-6P73	HR10-7J-6P(73)	D	6	7	11,79	11,10	10,06
798-HR10-10J-12P73	HR10-10J-12P(73)	D	12	10	13,13	12,68	11,80
Economy Solder Type - Male - Gold							
798-HR10A7J6P74	HR10A-7J-6P(74)	C	6	7	11,19	10,35	9,28
798-HR10A10J12P74	HR10A-10J-12P(74)	C	12	10	14,17	13,33	12,08
Solder Type - Female - Gold							
798-HR10-7J-4S73	HR10-7J-4S(73)	D	4	7	13,36	12,57	11,39
798-HR10-7J-6S73	HR10-7J-6S(73)	D	6	7	13,37	12,90	12,01
798-HR10-10J-12S73	HR10-10J-12S(73)	D	12	10	19,19	18,55	17,26
Economy Solder Type - Female - Gold							
798-HR10A7J6S74	HR10A-7J-6S(74)	C	6	7	10,73	9,92	8,89
798-HR10A10J10S74	HR10A-10J-10S(74)	C	10	10	11,48	10,81	9,80
798-HR10A10J12S74	HR10A-10J-12S(74)	C	12	10	13,68	12,87	11,66
Economy Solder Type - Male - Silver							
798-HR10A-7J-4P73	HR10A-7J-4P(73)	C	4	7	10,07	9,31	8,35
798-HR10A-7J-6P73	HR10A-7J-6P(73)	C	6	7	10,58	9,78	8,78
798-HR10A-10J-10P73	HR10A-10J-10P(73)	C	10	10	12,10	11,39	10,31
798-HR10A-10J-12P73	HR10A-10J-12P(73)	C	12	10	13,40	12,61	11,42
Economy Solder Type - Female - Silver							
798-HR10A-7J-4S73	HR10A-7J-4S(73)	C	4	7	9,80	9,06	8,13
798-HR10A-7J-6S73	HR10A-7J-6S(73)	C	6	7	10,10	9,33	8,37
798-HR10A-10J-10S73	HR10A-10J-10S(73)	C	10	10	11,98	11,08	9,93
798-HR10A-10J-12S73	HR10A-10J-12S(73)	C	12	10	12,26	11,54	10,46

HIROSE Circular Connectors



HIROSE ELECTRIC CO., LTD.

This page of product is compliant.



HR10 SERIES, PUSH-PULL METAL CONNECTORS (CONT.)

MOUSER STOCK NO.	Hirose Part No.	Fig.	No. of Contacts	Shell Size	Price Each		
					1	10	50
Economy Crimp Type - Male							
798-HR10A-7R-4PC73	HR10A-7R-4PC(73)	A	4	7	5,98	5,06	4,25
798-HR10A-7R-6PC73	HR10A-7R-6PC(73)	A	6	7	5,98	5,06	4,25
798-HR10A-10R-10PC71	HR10A-10R-10PC(71)	A	10	10	7,39	6,44	5,78
798-HR10A-10R-12PC71	HR10A-10R-12PC(71)	A	12	10	7,39	6,44	5,78
Economy Crimp Type - Female							
798-HR10A-7R-4SC73	HR10A-7R-4SC(73)	A	4	7	5,68	4,80	4,04
798-HR10A-7R-6SC73	HR10A-7R-6SC(73)	A	6	7	5,68	4,81	4,04
798-HR10A-10R-10SC71	HR10A-10R-10SC(71)	A	10	10	7,66	6,67	5,99
798-HR10A-10R-12SC71	HR10A-10R-12SC(71)	A	12	10	7,40	6,44	5,78
798-HR10A13R20SC73	HR10A-13R-20SC(73)	A	20	13	12,99	12,56	11,70
Dip Type - Male - Silver							
798-HR10-7R-4P73	HR10-7R-4P(73)	A	4	7	9,37	8,15	7,33
Economy Dip Type - Male - Silver							
798-HR10A-7R-4PB73	HR10A-7R-4PB(73)	A	4	7	6,65	5,63	4,71
798-HR10A-7R-6PB73	HR10A-7R-6PB(73)	A	6	7	7,28	6,15	5,18
798-HR10A-10R-10PB71	HR10A-10R-10PB(71)	A	10	10	8,82	7,67	6,91
798-HR10A-10R-12PB71	HR10A-10R-12PB(71)	A	12	10	9,80	8,53	7,66
798-HR10A13R20PB73	HR10A-13R-20PB(73)	A	20	13	16,46	15,91	14,81
Dip Type - Female - Silver							
798-HR10-7R-4S73	HR10-7R-4S(73)	A	4	7	11,32	10,46	9,39
Economy Dip Type - Female - Silver							
798-HR10A-7R-4SB73	HR10A-7R-4SB(73)	A	4	7	6,18	5,23	4,39
798-HR10A-7R-6SB73	HR10A-7R-6SB(73)	A	6	7	6,64	5,62	4,72
798-HR10A-10R-10SB71	HR10A-10R-10SB(71)	A	10	10	8,00	6,96	6,26
798-HR10A-10R-12SB71	HR10A-10R-12SB(71)	A	12	10	8,70	7,57	6,81
Dip Type - Male - Gold							
798-HR10-7R-6PA73	HR10-7R-6PA(73)	A	6	7	9,41	8,70	7,80
798-HR10-10R-12PA73	HR10-10R-12PA(73)	A	12	10	12,97	11,99	10,75
Economy Dip Type - Male - Gold							
798-HR10A7R6PB74	HR10A-7R-6PB(74)	A	6	7	7,51	6,34	5,34
798-HR10A10R12PB72	HR10A-10R-12PB(72)	A	12	10	10,68	9,87	8,85
Dip Type - Female - Gold							
798-HR10-7R-4SA73	HR10-7R-4SA(73)	A	4	7	10,73	9,92	8,89
798-HR10-7R-6SA73	HR10-7R-6SA(73)	A	6	7	12,80	11,84	10,62
798-HR10-10R-12SA73	HR10-10R-12SA(73)	A	12	10	13,49	13,03	12,13
Economy Dip Type - Female - Gold							
798-HR10A7R6SB74	HR10A-7R-6SB(74)	A	6	7	7,51	6,34	5,34
798-HR10A10R10SB72	HR10A-10R-10SB(72)	A	10	10	8,92	7,76	6,98
Economy Solder Type - Male - Silver							
798-HR10A-7R-4P73	HR10A-7R-4P(73)	A	4	7	6,65	5,63	4,72
798-HR10A7R5P73	HR10A-7R-5P(73)	A	5	7	6,82	5,77	4,85
798-HR10A-7R-6P73	HR10A-7R-6P(73)	A	6	7	7,28	6,15	5,18
798-HR10A-10R-10P73	HR10A-10R-10P(73)	A	10	10	8,98	7,80	7,02
798-HR10A-10R-12P73	HR10A-10R-12P(73)	A	12	10	8,66	8,01	7,19
798-HR10A13R20P73	HR10A-13R-20P(73)	A	20	13	16,58	16,03	14,92
Economy Solder Type - Female - Silver							
798-HR10A-7R-4S73	HR10A-7R-4S(73)	A	4	7	6,18	5,23	4,39
798-HR10A-7R-6S73	HR10A-7R-6S(73)	A	6	7	6,33	5,35	4,49
798-HR10A-10R-10S71	HR10A-10R-10S(71)	A	10	10	8,00	6,96	6,26
798-HR10A-10R-12S71	HR10A-10R-12S(71)	A	12	10	8,70	7,57	6,81
798-HR10A13R20S73	HR10A-13R-20S(73)	A	20	13	32,18	31,10	28,96
Economy Solder Type - Male - Gold							
798-HR10A7R4P74	HR10A-7R-4P(74)	A	4	7	7,12	6,02	5,07
798-HR10A7R6P74	HR10A-7R-6P(74)	A	6	7	7,02	6,11	5,49
Economy Solder Type - Female - Gold							
798-HR10A7R6S74	HR10A-7R-6S(74)	A	6	7	7,36	6,22	5,23
798-HR10A10R10S72	HR10A-10R-10S(72)	A	10	10	9,62	8,37	7,52
798-HR10A10R12S72	HR10A-10R-12S(72)	A	12	10	9,09	8,41	7,54
798-HR10A13R20S74	HR10A-13R-20S(74)	A	20	13	31,99	30,39	29,14

For quantities greater than listed, call for quote. **Crimp Contacts (Reels)**

MOUSER STOCK NO.	Hirose Part No.	Fig.	Plating	AWG	Price Each			MOUSER STOCK NO.	Hirose Part No.	Plating	AWG	Reel Quantity	Price Per Piece
					1	10	50						
Female													
798-HR12-SC-111	HR12-SC-111	B	Gold	26-30	0,45	0,272	0,215	798-HR12-SC-211	HR12-SC-211	Gold	26-30	10000	0,12
798-HR12-SC-112	HR12-SC-112	B	Silver	26-30	0,63	0,437	0,318	798-HR12-SC-212	HR12-SC-212	Silver	26-30	10000	0,08
Male													
798-HR10-PC-111	HR10-PC-111	C	Gold	26-30	0,43	0,256	0,215	798-HR10-PC-211	HR10-PC-211	Gold	26-30	10000	0,12
798-HR10-PC-112	HR10-PC-112	C	Silver	26-30	0,34	0,206	0,165	798-HR10-PC-212	HR10-PC-212	Silver	26-30	10000	0,09

For quantities greater than listed, call for quote. **Accessories & Tools**

MOUSER STOCK NO.	Hirose Part No.	Description	Price Each		
			1	10	50
798-HR10-7R-C	HR10-7R-C	Cap for Shell Size 7	2,81	2,33	1,95
798-HR10-10R-C	HR10-10R-C	Cap for Shell Size 10	2,82	2,33	1,95
798-HR12-SC-TC	HR12-SC-TC	Manual Crimping Tool	580,22	-	-
798-HR12-SC-TP	HR12-SC-TP	Extractor Tool	11,10	-	-
798-HR10A-TC-02	HR10A-TC-02	Cable Crimping Tool	300,69	-	-
798-HR10-13P-T05	HR10-13P-T05	Wiring Tool for HR10-13P Connectors	63,06	-	-
798-HR10-13J-T06	HR10-13J-T06	Wiring Tool for HR10-13J Connectors	63,06	-	-
798-HR10-7P-T01	HR10-7P-T01	Wiring Tool for HR10-7P Connectors	179,95	-	-
798-HR10-10P-T02	HR10-10P-T02	Wiring Tool for HR10-10P Connectors	179,95	-	-
798-HR10-7J-T03	HR10-7J-T03	Wiring Tool for HR10-7J Connectors	179,95	-	-
798-HR10-10J-T04	HR10-10J-T04	Wiring Tool for HR10-10J Connectors	179,95	-	-

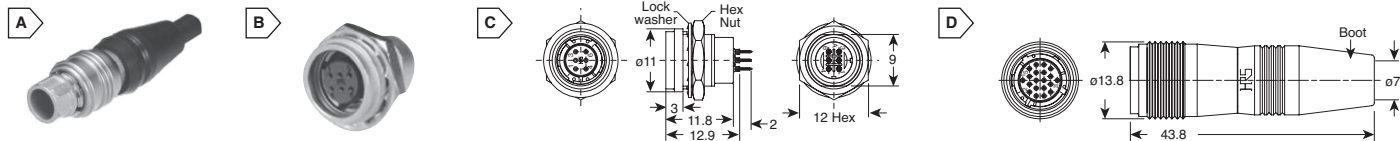
HIROSE Circular Connectors



HIROSE ELECTRIC CO., LTD.

RoHS Compliant This product is RoHS compliant.

HR25A SERIES, PUSH-PULL CIRCULAR CONNECTORS



Plugs For quantities greater than listed, call for quote.

MOUSER STOCK NO.	Hirose Part No.	Fig.	No. of Contacts	Shell Size	Price Each		
					1	10	50
Solder Type - Contacts Inserted - Male							
798-HR25A-7P-6P	HR25A-7P-6P	A	6	7	17,08	16,50	15,36
798-HR25A-7P-8P	HR25A-7P-8P	A	8	7	17,94	17,34	16,15
798-HR25A-9P-12P	HR25A-9P-12P	A	12	9	25,86	25,00	23,27
798-HR25A-9P-16P	HR25A-9P-16P	A	16	9	27,60	26,67	24,83
798-HR25A-9P-20P	HR25A-9P-20P	A	20	9	29,45	28,46	26,50
Solder Type - Contacts Inserted - Female							
798-HR25A-7P-8S	HR25A-7P-8S	A	8	7	16,83	16,26	15,14
798-HR25A-9P-12S	HR25A-9P-12S	A	12	9	20,91	20,21	18,82
798-HR25A-9P-20S	HR25A-9P-20S	A	20	9	22,52	21,77	20,27

Receptacles (cont.) For quantities greater than listed, call for quote.

MOUSER STOCK NO.	Hirose Part No.	Fig.	No. of Contacts	Shell Size	Price Each		
					1	10	50
Solder Type - Contacts Inserted - Female							
798-HR25A-7R-6S	HR25A-7R-6S	B	6	7	11,72	11,03	10,00
798-HR25A-7R-8S	HR25A-7R-8S	B	8	7	12,15	11,43	10,36
798-HR25A-9R-12S	HR25A-9R-12S	B	12	9	14,03	13,20	11,96
798-HR25A-9R-16S	HR25A-9R-16S	B	16	9	13,12	12,68	11,81
798-HR25A-9R-20S	HR25A-9R-20S	B	20	9	13,86	13,39	12,47
Thru Hole (for PC Board mounting) - Contacts Inserted - Female							
798-HR25A-7R-8SA	HR25A-7R-8SA	C	8	7	12,33	11,59	10,50
798-HR25A-9R-16SA	HR25A-9R-16SA	C	16	9	13,49	13,04	12,14

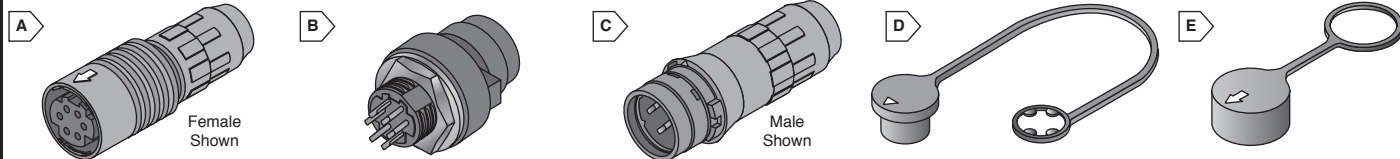
Receptacles For quantities greater than listed, call for quote.

MOUSER STOCK NO.	Hirose Part No.	Fig.	No. of Contacts	Shell Size	Price Each		
					1	10	50
798-HR25A-9R-12P	HR25A-9R-12P	B	12	9	17,33	16,74	15,58
798-HR25A-9R-20P	HR25A-9R-20P	B	20	9	20,91	20,21	18,82

Jacks: Solder Type, Contacts Inserted, Female For quantities greater than listed, call for quote.

MOUSER STOCK NO.	Hirose Part No.	Fig.	No. of Contacts	Shell Size	Price Each		
					1	10	50
798-HR25A-9J-20S	HR25A-9J-20S	D	20	9	22,52	21,76	20,26

HR30 SERIES, MINIATURE WATERPROOF PLASTIC CONNECTORS



Plugs For quantities greater than listed, call for quote.

MOUSER STOCK NO.	Hirose Part No.	Fig.	No. of Contacts	Shell Size	Price Each		
					1	10	50
Cable Diameter 4.2 to 5mm - Solder - Female							
798-HR30-6P-3S71	HR30-6P-3S(71)	A	3	6	8,45	7,81	7,42
798-HR30-6P-6S71	HR30-6P-6S(71)	A	6	6	6,34	5,36	4,51
Cable Diameter 4.2 to 5mm - Solder - Male							
798-HR30-6P-6P71	HR30-6P-6P(71)	A	6	6	7,33	6,20	5,21
Cable Diameter 6.2 to 7mm - Crimp - Female							
798-HR30-7P-10SC71	HR30-7P-10SC(71)	A	10	7	5,75	4,86	4,08
798-HR30-7P-12SC71	HR30-7P-12SC(71)	A	12	7	5,74	4,86	4,08
Cable Diameter 6.2 to 7mm - Crimp - Male							
798-HR30-8P-12PC71	HR30-8P-12PC(71)	A	12	8	5,75	4,86	4,08
Cable Diameter 6.2 to 7mm - Solder - Female							
798-HR30-7P-12S71	HR30-7P-12S(71)	A	12	7	8,41	7,31	6,58
Cable Diameter 6.2 to 7mm - Solder - Male							
798-HR30-8P-12P71	HR30-8P-12P(71)	A	12	8	7,99	6,95	6,25
Cable Diameter 3.5 to 4.3mm - Solder - Female							
798-HR30-6PA-3S71	HR30-6PA-3S(71)	A	3	6	8,45	7,81	7,42
798-HR30-6PA-6S71	HR30-6PA-6S(71)	A	6	6	6,34	5,36	4,51
Cable Diameter 3.5 to 4.3mm - Solder - Male							
798-HR30-6PA-6P71	HR30-6PA-6P(71)	A	6	6	7,33	6,20	5,21

Receptacles For quantities greater than listed, call for quote.

MOUSER STOCK NO.	Hirose Part No.	Fig.	No. of Contacts	Shell Size	Price Each		
					1	10	50
Panel Connector - Solder - Female							
798-HR30-6R-6S71	HR30-6R-6S(71)	B	6	6	6,72	5,68	4,78
798-HR30-8R-12S71	HR30-8R-12S(71)	B	12	8	7,59	6,60	5,94
Panel Connector - Solder - Male							
798-HR30-6R-3P71	HR30-6R-3P(71)	B	3	6	7,48	6,34	5,32
798-HR30-6R-6P71	HR30-6R-6P(71)	B	6	6	5,82	4,92	4,13
798-HR30-7R-12P71	HR30-7R-12P(71)	B	12	7	7,10	6,17	5,55
Thru Hole Connector - PCB - Female							
798-HR30-6R-6SD71	HR30-6R-6SD(71)	B	6	6	7,08	5,98	5,03
798-HR30-8R-12SD71	HR30-8R-12SD(71)	B	12	8	7,59	6,60	5,94
Thru Hole Connector - PCB - Male							
798-HR30-6R-6PD71	HR30-6R-6PD(71)	B	6	6	5,55	4,69	3,95
798-HR30-7R-12PD71	HR30-7R-12PD(71)	B	12	7	7,22	6,27	5,64
Panel Connector - Crimp - Female							
798-HR30-8R-12SC71	HR30-8R-12SC(71)	B	12	8	4,81	3,98	3,32
Panel Connector - Crimp - Male							
798-HR30-7R-10PC71	HR30-7R-10PC(71)	B	10	7	4,81	3,98	3,32
798-HR30-7R-12PC71	HR30-7R-12PC(71)	B	12	7	4,81	3,98	3,32

Jacks For quantities greater than listed, call for quote.

MOUSER STOCK NO.	Hirose Part No.	Fig.	No. of Contacts	Shell Size	Price Each		
					1	10	50
Cable Diameter 4.2 to 5mm - Solder - Male							
798-HR30-6J-6P71	HR30-6J-6P(71)	C	6	6	6,80	5,75	4,83
Cable Diameter 6.2 to 7mm - Solder - Female							
798-HR30-8J-12S71	HR30-8J-12S(71)	C	12	8	8,03	6,98	6,27
Cable Diameter 6.2 to 7mm - Solder - Male							
798-HR30-7J-12P71	HR30-7J-12P(71)	C	12	7	8,09	7,03	6,32
Cable Diameter 6.2 to 7mm - Crimp - Male							
798-HR30-7J-10PC71	HR30-7J-10PC(71)	C	10	7	5,43	4,59	3,86
798-HR30-7J-12PC71	HR30-7J-12PC(71)	C	12	7	5,43	4,59	3,86
Cable Diameter 6.2 to 7mm - Crimp - Female							
798-HR30-8J-12SC71	HR30-8J-12SC(71)	C	12	8	5,43	4,59	3,86

Jacks (cont.) For quantities greater than listed, call for quote.

MOUSER STOCK NO.	Hirose Part No.	Fig.	No. of Contacts	Shell Size	Price Each		
					1	10	50
Cable Diameter 3.5 to 4.3mm - Solder - Male							
798-HR30-6JA-6P71	HR30-6JA-6P(71)	C	6	6	6,67	5,63	4,74

Crimp Contacts For quantities greater than listed, call for quote.

MOUSER STOCK NO.	Hirose Part No.	Plating	AWG	Price Each		
				1	10	50
Female						
798-HR30-SC-111	HR30-SC-111	Gold	26-30	0,40	0,272	0,214
Male						
798-HR30-PC-111	HR30-PC-111	Gold	26-30	0,39	0,264	0,205

Crimp Contacts (Reels) For quantities greater than listed, call for quote.

MOUSER STOCK NO.	Hirose Part No.	Plating	AWG	Reel Quantity	Price Each	
					1	50
Female						
798-HR30-SC-111	HR30-SC-111	Gold	26-30	0,272	0,214	
Male						
798-HR30-PC-111	HR30-PC-111	Gold	26-30	0,264	0,205	

Accessories For quantities greater than listed, call for quote.

MOUSER STOCK NO.	Hirose Part No.	Fig.	Cap shell for:	Price Each		
				1	10	50
Caps for Plugs						
798-HR30-6P-C71	HR30-6P-C(71)	D	Size 6	2,25	1,86	1,56
798-HR30-7P-C71	HR30-7P-C(71)	D	Size 7	2,25	1,86	1,56
798-HR30-8P-C71	HR30-8P-C(71)	D	Size 8	2,24	1,86	1,55
Caps for Receptacles						
798-HR30-6R-C71	HR30-6R-C(71)	E	Size 6	2,25	1,86	1,56
798-HR30-7R-C71	HR30-7R-C(71)	E	Size 7 & 8	2,25	1,86	1,56

Tools

MOUSER STOCK NO.	Hirose Part No.	Description	Price Each
798-HT-102/HR30-1	HT-102/HR30-1	Hand Crimping Tool 30-26 AWG	970,20
798-HR30-6P-T01	HR30-6P-T01	Wiring Jig for Receptacle / Jack	179,95
798-HR30-8P-T02	HR30-8P-T02	Tightening Collar 10P, 12P Backshell	120,12
798-HR30-TP	HR30-TP	Extraction Tool	0,95
798-HR30-6P-3S-T01	HR30-6P-3S-T01	Solder Fixture for HR30-6P-3S, PA-3S	179,95
798-HR30-6R-3P-T01	HR30-6R-3P-T01	Solder Fixture for HR30-6R-3P	179,95
798-HR30-6P-6P-T01	HR30-6P-6P-T01	Solder Fixture for HR30-6P-6P, PA-6P	179,95
798-HR30-6R-6S-T01	HR30-6R-6S-T01	Solder Fixture for HR30-6R-6S	179,95
798-HR30-7P-10SC-T01	HR30-7P-10SC-T01	Solder Fixture for HR30-7P-10SC	179,95
798-HR30-7P-12SC-T01	HR30-7P-12SC-T01	Solder Fixture for HR30-7P-12S, 7P-12SC	179,95
798-HR30-7J-10PC-T01	HR30-7J-10PC-T01	Solder Fixture for HR30-7J-10PC	192,02
798-HR30-7J-12PC-T01	HR30-7J-12PC-T01	Solder Fixture for HR30-7J-12PC	192,02
798-HR30-8J-12SC-T01	HR30-8J-12SC-T01	Solder Fixture for HR30-8J-12SC	179,95
798-HR30-8P-12PC-T01	HR30-8P-12PC-T01	Solder Fixture for HR30-8P-12P, 8P-12PC	192,02

KYCON Mini-DIN Connectors



RoHS Compliant This product is RoHS compliant.

KMDG SERIES - RIGHT ANGLE PCB RECEPTACLES

- Fully Shielded for good conductivity, grounding, and EMI/RFI protection
- Mates with standard and snap and lock plugs
- Body Material: PBT Thermoplastic, UL94V-0 rated
- Contact Material: Phosphor Bronze, Gold plated
- RoHS Compliance per Kycon Documentation
- Shield Material: Brass, Tin Plated
- Solder Tails: Tin Plated Over Nickel
- Operating Temperature: -25°C to +85°C

*Meets PC99 specifications † Pan = Pantone For quantities greater than listed, call for quote.

MOUSER STOCK NO.	Kycon Part No.	Fig.	No. of Pos.	Color	Price Each			
					1	25	100	500
806-KMDGX-3S-BS	KMDGX-3S-BS	A	3	Black	0,59	0,525	0,475	0,434
806-KMDGX-4S-BS	KMDGX-4S-BS	A	4	Black	0,83	0,804	0,59	0,476
* 806-KMDGX-4S-BS-99	KMDGX-4S-BS-99	A	4	† Pan 123C Yellow	0,85	0,82	0,606	0,491
806-KMDGX-5S-BS	KMDGX-5S-BS	A	5	Black	0,97	0,935	0,681	0,549
* 806-KMDGX-6S-BS	KMDGX-6S-BS	A	6	Black	1,03	1,00	0,738	0,541
* 806-KMDGX-6S-BS2715C	KMDGX-6S-BS2715C	A	6	† Pan 2715C Purple	0,92	0,894	0,663	0,524
* 806-KMDGX-6S-BS3395C	KMDGX-6S-BS3395C	A	6	† Pan 3395C Green	0,85	0,812	0,722	0,574
806-KMDGX-7S-BS	KMDGX-7S-BS	A	7	Black	1,04	1,02	0,754	0,598
806-KMDGX-8S-BS	KMDGX-8S-BS	A	8	Black	1,20	1,16	0,861	0,674
806-KMDGX-9S-BS	KMDGX-9S-BS	A	9	Black	1,05	1,03	0,754	0,599
806-KMDGX-10S-BS	KMDGX-10S-BS	A	10	Black	1,65	1,61	1,17	0,943
With GEO S-Video Port								
806-KMDGX-GEO-7SBS	KMDGX-GEO-7S-BS	A	7	Black	0,72	0,64	0,582	0,525

KFMDG SERIES - RIGHT ANGLE FERRITE FILTERED PCB RECEPTACLES

- Fully Shielded for good conductivity, grounding, and EMI/RFI protection
- Mates with standard and snap and lock plugs
- Body Material: PBT Thermoplastic, UL94V-0 rated
- Contact Material: Phosphor Bronze, Gold plated
- RoHS Compliance per Kycon Documentation
- Shield Material: Brass, Tin Plated
- Solder Tails: Tin Plated Over Nickel
- Operating Temperature: -25°C to +85°C

For quantities greater than listed, call for quote.

MOUSER STOCK NO.	Kycon Part No.	Fig.	No. of Pos.	Color	Price Each			
					1	25	100	500
806-KFMDGX-4S-BS	KFMDGX-4S-BS	A	4	Black	1,21	1,07	0,951	0,861
806-KFMDGX-5S-BS	KFMDGX-5S-BS	A	5	Black	1,39	1,32	1,18	1,06
806-KFMDGX-6S-BS	KFMDGX-6S-BS	A	6	Black	2,27	2,07	1,89	1,52
806-KFMDGX-8S-BS	KFMDGX-8S-BS	A	8	Black	2,38	2,19	1,60	1,35

KMDG SERIES - RIGHT ANGLE STACKED PCB RECEPTACLES

- Fully Shielded for good conductivity, grounding, and EMI/RFI protection
- Mates with standard and snap and lock plugs
- Body Material: PBT Thermoplastic, UL94V-0 rated
- Contact Material: Phosphor Bronze, Gold plated
- RoHS Compliance per Kycon Documentation
- Shield Material: Brass, Tin Plated
- Solder Tails: Tin Plated Over Nickel
- Operating Temperature: -25°C to +85°C

*Meets PC99 Specifications † Pan = Pantone For quantities greater than listed, call for quote.

MOUSER STOCK NO.	Kycon Part No.	Fig.	No. of Pos.	Color	Price Each			
					1	25	100	500
806-KMDGX-4S/4S-S4N	KMDGX-4S/4S-S4N	B	4 over 4	Black	1,62	1,57	1,14	0,91
806-KMDGX-6S/6S-S4N	KMDGX-6S/6S-S4N	B	6 over 6	Black	1,58	1,54	1,13	0,902
* 806-KMDGX-6SG/P-S4N	KMDGX-6SG/P-S4N	B	6 over 6	† Pan 3395C Green	2,10	2,05	1,37	0,992
806-KMDGX-6SG/P-S4N1	KMDGX-6SG/P-S4N1	B	6 over 6	over Pan 2715C Purple	2,21	2,16	1,58	1,26
806-KMDGX-8S/8S-S4N	KMDGX-8S/8S-S4N	B	8 over 8	Black	2,71	1,98	1,41	1,26

KMDR AND KMDRLX SERIES - RIGHT ANGLE ROUNDED LOW PROFILE PCB RECEPTACLES

- Contacts: Phosphor Bronze
- Gold Flash on contacts
- Tin on termination
- Body: PBT Thermoplastic, UL94V-0 rated
- Shield: SPCC, Tin plated
- Operating Temperature: -25°C to +85°C
- RoHS Compliance per Kycon Documentation

For quantities greater than listed, call for quote.

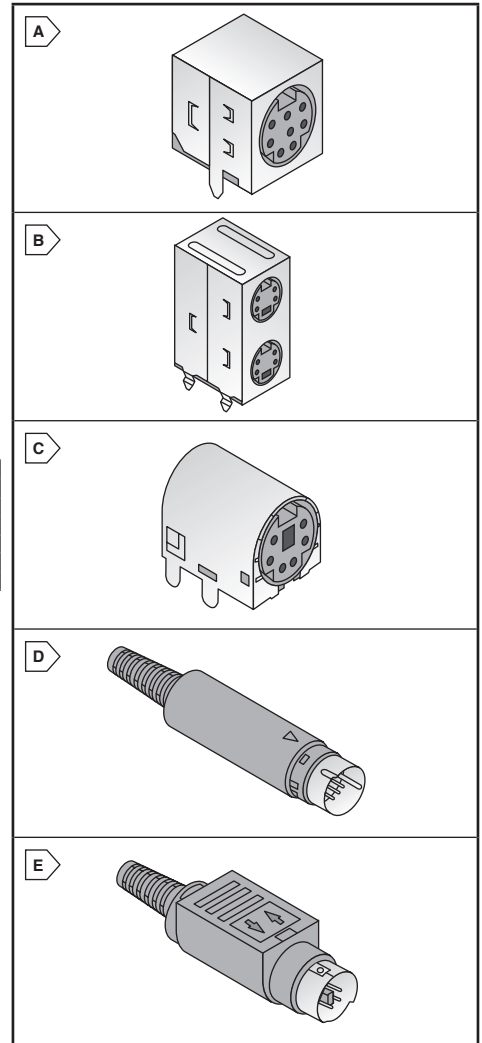
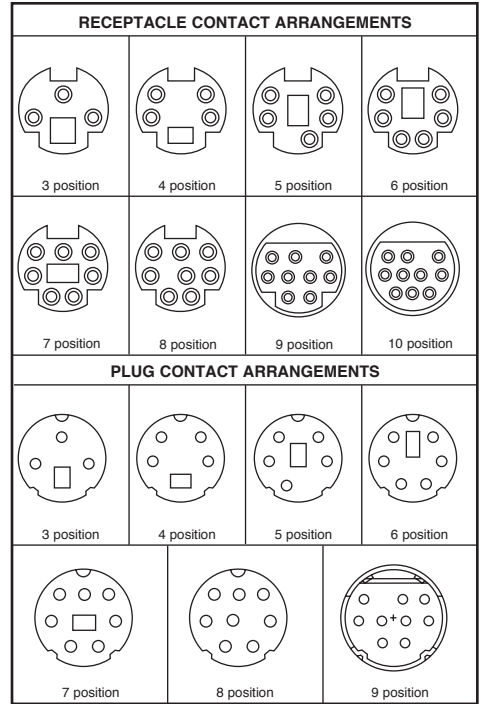
MOUSER STOCK NO.	Kycon Part No.	Fig.	No. of Pos.	Color	Price Each			
					1	25	100	500
806-KMDRX-4S-BS	KMDRX-4S-BS	C	4	Black	1,47	1,42	1,03	0,845
806-KMDRX-6S-BS	KMDRX-6S-BS	C	6	Black	1,55	1,49	1,09	0,877
Snap and Lock								
806-KMDRLX-4S-BS	KMDRLX-4S-BS	C	4	Black	1,39	1,27	1,13	1,05
806-KMDRLX-6S-BS	KMDRLX-6S-BS	C	6	Black	1,48	1,34	1,20	1,12

KMDA AND KMDLA SERIES - CABLE MOUNT PLUGS

- Insert Material: PBT Thermoplastic, UL94V-0 rated
- Shell Material: PVC, UL94V-0 rated
- Contact Material: Brass, Silver plated
- Shield Material: Nickel plated Iron sheet
- Durability: 1500 Cycles
- Operating Temperature: -25°C to +80°C
- RoHS Compliance per Kycon Documentation

* 30µ" Gold Plated For quantities greater than listed, call for quote.

MOUSER STOCK NO.	Kycon Part No.	Fig.	No. of Pos.	Color	Price Each			
					1	25	100	500
806-KMDAX-3P	KMDAX-3P	D	3	Black	0,89	0,795	0,713	0,648
806-KMDAX-4P	KMDAX-4P	D	4	Black	1,14	1,01	0,902	0,763
806-KMDAX-5P	KMDAX-5P	D	5	Black	1,12	0,984	0,886	0,804
806-KMDAX-6P	KMDAX-6P	D	6	Black	1,54	1,43	1,04	0,886
806-KMDAX-7P	KMDAX-7P	D	7	Black	1,57	1,50	1,10	0,927
806-KMDAX-8P	KMDAX-8P	D	8	Black	1,65	1,57	1,15	0,976
* 806-KMDAX-9P	KMDAX-9P	D	9	Black	2,57	2,21	1,71	1,54
Snap and Lock								
806-KMDLAX-3P	KMDLAX-3P	E	3	Black	2,35	2,05	1,82	1,64
806-KMDLAX-4P	KMDLAX-4P	E	4	Black	2,91	2,54	2,26	2,03
806-KMDLAX-5P	KMDLAX-5P	E	5	Black	2,59	2,27	2,02	1,81
806-KMDLAX-6P	KMDLAX-6P	E	6	Black	2,71	2,37	2,12	1,90
806-KMDLAX-7P	KMDLAX-7P	E	7	Black	2,41	2,12	1,87	1,68
806-KMDLAX-8P	KMDLAX-8P	E	8	Black	2,96	2,60	2,30	2,07



Circular Connectors Kycon

PHOENIX CONTACT M12/M8 Connectors & Cord Sets



M8 PLUSCON CONNECTORS

- Features:**
- QUICKON fast connection
 - No special tools required
 - Color coded terminals
- Specifications:**
- Current Rating: 4A
 - IP-Degree: IP65/67
 - Current Voltage: 3 pos 60V; 4 pos 30V
- For quantities greater than listed, call for quote.

MOUSER STOCK NO.		Fig.	Phoenix Contact Type	No. of Pos.	Conductor Cross Section (mm²)	Cable Diameter	Type	Price Each		
Mfr.	Mfr. Part No.							1	10	25
Single Ended Cord Sets - Straight										
651	1441008	A	SACC-M8MS-3QO-0.25-M	3	0.08 - 0.25	2.5-5mm	Male	10,28	9,77	9,28
651	1441024	A	SACC-M8MS-3QO-0.5-M	3	0.25 - 0.50	2.5-5mm	Male	10,28	9,77	9,28
651	1441040	B	SACC-M8FS-3QO-0.25-M	3	0.08 - 0.25	2.5-5mm	Female	10,28	9,77	9,28
651	1441066	B	SACC-M8FS-3QO-0.5-M	3	0.25 - 0.50	2.5-5mm	Female	10,28	9,77	9,28
651	1441011	A	SACC-M8MS-4QO-0.25-M	4	0.08 - 0.25	2.5-5mm	Male	11,48	10,91	10,36
651	1441037	A	SACC-M8MS-4QO-0.5-M	4	0.25 - 0.50	2.5-5mm	Male	11,48	10,91	10,36
651	1441053	B	SACC-M8FS-4QO-0.25-M	4	0.08 - 0.25	2.5-5mm	Female	11,48	10,91	10,36
651	1441079	B	SACC-M8FS-4QO-0.5-M	4	0.25 - 0.50	2.5-5mm	Female	11,48	10,91	10,36

M12 PLUSCON HIGH DENSITY CONNECTORS

- Features:**
- Color-coded terminals
 - No special tools required
 - Water tight to IP65/67
 - Wire gauge #28-26 AWG
- Specifications:**
- Current Rating: 1.5A
 - IP-Degree: IP65/67
 - Current Voltage: 30V
- For quantities greater than listed, call for quote.

MOUSER STOCK NO.		Fig.	Phoenix Contact Type	No. of Pos.	Cable Diameter	Type	Price Each		
Mfr.	Mfr. Part No.						1	10	25
Single Ended Cord Sets - Straight									
651	1559592	C	SACC-MS-12PCON SCO	12	5.4 - 8.2 mm	Male	30,96	29,41	27,94
651	1559602	D	SACC-MS-17PCON SCO	12	5.4 - 8.2 mm	Female	35,40	33,63	31,94
651	1559631	C	SACC-FS-12PCON SCO	17	5.4 - 8.2 mm	Male	33,35	31,69	30,10
651	1559644	D	SACC-FS-17PCON SCO	17	5.4 - 8.2 mm	Female	39,00	37,05	35,19

M12/M8 THREADED CORD SETS

- Features:**
- Cable Jacket: (PUR) Polyurethane
 - Cable Color: Black
 - Connector Housing Color: Green
 - Connector Interface: Threaded Metal
- Specifications:**
- Current Rating: 4A
 - Temperature Range: -30°C to 80°C
 - IP-Degree: IP67 (IEC 60529)
 - Voltage Rating: 320V
- For quantities greater than listed, call for quote.

MOUSER STOCK NO.		Fig.	Phoenix Contact Type	No. of Con.	End 1	End 2	Length (m)	Price Each		
Mfr.	Mfr. Part No.							1	10	25
M8 Single-Ended Cord Sets - Straight Male Connector										
651	1681664	E	SAC-3P-M 8MS/1.5-PUR	3	Straight Male	Open	1.5	10,28	9,43	8,69
651	1681677	E	SAC-3P-M 8MS/3.0-PUR	3	Straight Male	Open	3	11,24	10,34	9,88
651	1681680	E	SAC-3P-M 8MS/5.0-PUR	3	Straight Male	Open	5	12,80	12,13	11,20
M8 Single-Ended Cord Sets - Right Angle Male Connector										
651	1681693	F	SAC-3P-M 8MR/1.5-PUR	3	R/A Male	Open	1.5	10,71	9,82	9,06
651	1681703	F	SAC-3P-M 8MR/3.0-PUR	3	R/A Male	Open	3	11,79	10,80	9,97
M8 Single-Ended Cord Sets - Straight Female Connector										
651	1669712	G	SAC-3P- 1.5-PUR/M 8FS	3	Straight Female	Open	1.5	9,94	9,15	8,73
651	1669725	G	SAC-3P- 3.0-PUR/M 8FS	3	Straight Female	Open	3	11,42	10,50	10,03
651	1669628	G	SAC-3P- 5.0-PUR/M 8FS	3	Straight Female	Open	5	13,41	12,34	11,78
M8 Single-Ended Cord Sets - Right Angle Female Connector										
651	1669738	H	SAC-3P- 1.5-PUR/M 8FR	3	R/A Female	Open	1.5	11,15	10,22	9,45
651	1669741	H	SAC-3P- 3.0-PUR/M 8FR	3	R/A Female	Open	3	12,07	11,10	10,60
651	1669631	H	SAC-3P- 5.0-PUR/M 8FR	3	R/A Female	Open	5	14,04	12,92	12,33
M12 Single-Ended Cord Sets - Straight Male Connector										
651	1668043	E	SAC-4P-M12MS/1.5-PUR	4	Straight Male	Open	1.5	11,21	10,63	9,82
651	1668056	E	SAC-4P-M12MS/3.0-PUR	4	Straight Male	Open	3	12,96	12,28	11,34
651	1668069	E	SAC-4P-M12MS/5.0-PUR	4	Straight Male	Open	5	15,63	14,61	13,73
651	1682993	E	SAC-4P-M12MS/10.0-PUR	4	Straight Male	Open	10	21,97	20,23	19,30
M12 Single-Ended Cord Sets - Right Angle Male Connector										
651	1668179	F	SAC-4P-M12MR/3.0-PUR	4	R/A Male	Open	3	13,57	12,50	11,92
651	1668182	F	SAC-4P-M12MR/5.0-PUR	4	R/A Male	Open	5	15,63	14,40	13,74
651	1694457	F	SAC-4P-M12MR/10.0-PUR	4	R/A Male	Open	10	21,76	20,63	19,03
M12 Single-Ended Cord Sets - Straight Female Connector										
651	1668108	G	SAC-4P-1.5-PUR/M12FS	4	Straight Female	Open	1.5	12,15	11,14	10,28
651	1668111	G	SAC-4P- 3.0-PUR/M12FS	4	Straight Female	Open	3	13,56	12,49	11,92
651	1668124	G	SAC-4P- 5.0-PUR/M12FS	4	Straight Female	Open	5	16,30	15,02	14,33
651	1683002	G	SAC-4P-10.0-PUR/M12FS	4	Straight Female	Open	10	23,16	21,31	20,34
M12 Single-Ended Cord Sets - Right Angle Female Connector										
651	1668221	H	SAC-4P-1.5-PUR/M12FR	4	R/A Female	Open	1.5	12,01	11,05	10,55
651	1668234	H	SAC-4P- 3.0-PUR/M12FR	4	R/A Female	Open	3	15,76	14,12	13,44
651	1668247	H	SAC-4P- 5.0-PUR/M12FR	4	R/A Female	Open	5	16,41	15,11	14,42
651	1681389	H	SAC-4P-10.0-PUR/M12FR	4	R/A Female	Open	10	22,75	20,94	19,98
M12 Double-Ended Cord Sets - Straight Male / Straight Female Connectors										
651	1668357	I	SAC-4P-M12MS/0.3-PUR/M12FS	4	Straight Male	Straight Female	0.3	18,62	17,66	16,29
651	1668360	I	SAC-4P-M12MS/0.6-PUR/M12FS	4	Straight Male	Straight Female	0.6	19,62	18,05	17,23
651	1668373	I	SAC-4P-M12MS/1.5-PUR/M12FS	4	Straight Male	Straight Female	1.5	20,78	19,13	18,26
651	1668386	I	SAC-4P-M12MS/3.0-PUR/M12FS	4	Straight Male	Straight Female	3	21,50	19,71	18,19

M12 SPEEDCON CORD SETS

- Features:**
- Simple 1/2 turn connection
 - Compatible with all M12 standard threading
 - 90% time savings over standard M12
 - No special adapters required
- Specifications:**
- Current Rating: 4A
 - Temperature Range: -25°C to 90°C
 - IP-Degree: IP65 & IP67
 - Voltage Rating: 300V/125V(5 pos)
- For quantities greater than listed, call for quote.

MOUSER STOCK NO.		Fig.	Phoenix Contact Type	No. of Con.	End 1	End 2	Length (m)	Price Each		
Mfr.	Mfr. Part No.							1	10	25
Single Ended Cord Sets - Straight										
651	1518643	J	SAC-3P-MS/ 1.5-PUR SCO	3	Straight Male	Open	1.5	10,35	9,52	9,08
651	1518960	J	SAC-5P-MS/ 1.5-PUR SCO	5	Straight Male	Open	1.5	12,13	11,16	10,66
651	1518973	J	SAC-5P-MS/ 3.0-PUR SCO	5	Straight Male	Open	3	14,20	13,07	12,47
Double Ended Cord Sets - Straight										
651	1519066	K	SAC-5P-MS/ 1.5-PUR/FS SCO	5	Straight Male	Straight Female	1.5	22,13	20,37	19,44
651	1519079	K	SAC-5P-MS/ 3.0-PUR/FS SCO	5	Straight Male	Straight Female	3	23,77	22,53	20,80

M12 - 4 Pin Wire Diagram (female) M8 - 3 Pin Wire Diagram (female)

M12 - 4 Pin Wire Color		M8 - 3 Pin Wire Color	
Pos.	Color	Pos.	Color
1	Brown	1	Brown
2	White	3	Blue
3	Blue	4	Black
4	Black		

A

B

C

D

E

F

G

H

I

J

K

Circular Connectors

Phoenix Contact

PHOENIX CONTACT M12 Cord Sets



RoHS Compliant This product is RoHS compliant.

M12 PLUSCON SAC PLASTIC CORD SETS

Features:

- 3-, 4-, and 5-pole configurations
- PUR halogen-free cable
- Corrosion-resistant coupling nut
- IP65/IP68/IP69K

Single Ended Cord Sets-Straight Male

For quantities greater than listed, call for quote.

MOUSER STOCK NO.		Phoenix Contact Type	Fig.	No. of Contacts	End 1	End 2	Length (m)	Price Each		
Mfr.	Mfr. Part No.							1	10	25
651-14456006		SAC-3P-M12MS/ 1,5-PUR P	A	3	Straight Male	Open	1.5	8,78	8,36	7,96
651-1442324		SAC-3P-M12MS/ 3,0-PUR P	A	3	Straight Male	Open	3	10,16	9,67	9,21
651-1442337		SAC-3P-M12MS/ 5,0-PUR P	A	3	Straight Male	Open	5	12,00	11,41	10,87
651-1442340		SAC-3P-M12MS/ 10,0-PUR P	A	3	Straight Male	Open	10	17,48	16,62	15,84
651-1442353		SAC-4P-M12MS/ 1,5-PUR P	A	4	Straight Male	Open	1.5	9,50	9,04	8,61
651-1442366		SAC-4P-M12MS/ 3,0-PUR P	A	4	Straight Male	Open	3	10,81	10,27	9,79
651-1442379		SAC-4P-M12MS/ 5,0-PUR P	A	4	Straight Male	Open	5	13,43	12,76	12,17
651-1442382		SAC-4P-M12MS/ 10,0-PUR P	A	4	Straight Male	Open	10	19,03	18,10	17,24
651-1442395		SAC-5P-M12MS/ 1,5-PUR P	A	5	Straight Male	Open	1.5	10,77	10,25	9,78
651-1442405		SAC-5P-M12MS/ 3,0-PUR P	A	5	Straight Male	Open	3	12,55	11,93	11,37
651-1442418		SAC-5P-M12MS/ 5,0-PUR P	A	5	Straight Male	Open	5	15,19	14,45	13,76
651-1442421		SAC-5P-M12MS/ 10,0-PUR P	A	5	Straight Male	Open	10	22,07	20,99	19,99

Single Ended Cord Sets-Right Angle Male

For quantities greater than listed, call for quote.

MOUSER STOCK NO.		Phoenix Contact Type	Fig.	No. of Contacts	End 1	End 2	Length (m)	Price Each		
Mfr.	Mfr. Part No.							1	10	25
651-1442557		SAC-3P-M12MR/ 1,5-PUR P	B	3	R/A Male	Open	1.5	9,15	8,70	8,29
651-1442560		SAC-3P-M12MR/ 3,0-PUR P	B	3	R/A Male	Open	3	11,05	10,50	10,01
651-1442573		SAC-3P-M12MR/ 5,0-PUR P	B	3	R/A Male	Open	5	12,90	12,27	11,69
651-1442586		SAC-3P-M12MR/ 10,0-PUR P	B	3	R/A Male	Open	10	17,79	16,92	16,12
651-1442599		SAC-4P-M12MR/ 1,5-PUR P	B	4	R/A Male	Open	1.5	9,90	9,41	8,97
651-1442609		SAC-4P-M12MR/ 3,0-PUR P	B	4	R/A Male	Open	3	11,39	10,82	10,31
651-1442612		SAC-4P-M12MR/ 5,0-PUR P	B	4	R/A Male	Open	5	13,78	13,10	12,48
651-1442625		SAC-4P-M12MR/ 10,0-PUR P	B	4	R/A Male	Open	10	19,38	18,42	17,56
651-1442638		SAC-5P-M12MR/ 1,5-PUR P	B	5	R/A Male	Open	1.5	11,34	10,78	10,27
651-1442641		SAC-5P-M12MR/ 3,0-PUR P	B	5	R/A Male	Open	3	13,52	12,86	12,26
651-1442654		SAC-5P-M12MR/ 5,0-PUR P	B	5	R/A Male	Open	5	16,01	15,22	14,50
651-1442667		SAC-5P-M12MR/ 10,0-PUR P	B	5	R/A Male	Open	10	22,75	21,62	20,61

Single Ended Cord Sets-Straight Female

For quantities greater than listed, call for quote.

MOUSER STOCK NO.		Phoenix Contact Type	Fig.	No. of Contacts	End 1	End 2	Length (m)	Price Each		
Mfr.	Mfr. Part No.							1	10	25
651-1442434		SAC-3P- 1,5-PUR/M12FS P	C	3	Straight Female	Open	1.5	9,03	8,58	8,18
651-1442447		SAC-3P- 3,0-PUR/M12FS P	C	3	Straight Female	Open	3	10,92	10,39	9,89
651-1442450		SAC-3P- 5,0-PUR/M12FS P	C	3	Straight Female	Open	5	12,79	12,16	11,58
651-1442463		SAC-3P- 10,0-PUR/M12FS P	C	3	Straight Female	Open	10	17,67	16,81	16,01
651-1442476		SAC-4P- 1,5-PUR/M12FS P	C	4	Straight Female	Open	1.5	10,10	9,60	9,16
651-1442489		SAC-4P- 3,0-PUR/M12FS P	C	4	Straight Female	Open	3	11,86	11,29	10,76
651-1442492		SAC-4P- 5,0-PUR/M12FS P	C	4	Straight Female	Open	5	14,54	13,83	13,18
651-1442502		SAC-4P- 10,0-PUR/M12FS P	C	4	Straight Female	Open	10	20,75	19,73	18,80
651-1442515		SAC-5P- 1,5-PUR/M12FS P	C	5	Straight Female	Open	1.5	11,05	10,50	10,01
651-1442528		SAC-5P- 3,0-PUR/M12FS P	C	5	Straight Female	Open	3	12,79	12,16	11,59
651-1442531		SAC-5P- 5,0-PUR/M12FS P	C	5	Straight Female	Open	5	15,19	14,45	13,76
651-1442544		SAC-5P- 10,0-PUR/M12FS P	C	5	Straight Female	Open	10	22,98	21,85	20,83

Single Ended Cord Sets-Right Angle Female

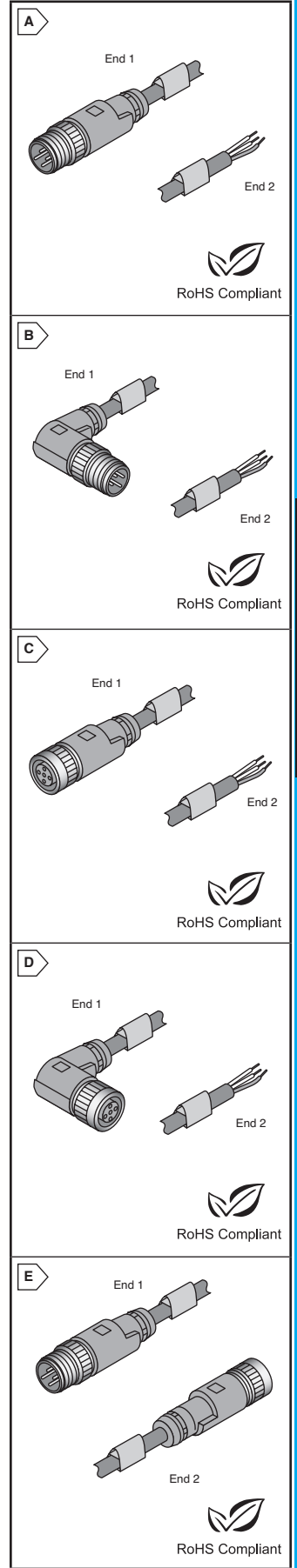
For quantities greater than listed, call for quote.

MOUSER STOCK NO.		Phoenix Contact Type	Fig.	No. of Contacts	End 1	End 2	Length (m)	Price Each		
Mfr.	Mfr. Part No.							1	10	25
651-1442670		SAC-3P- 1,5-PUR/M12FR P	D	3	R/A Female	Open	1.5	9,38	8,92	8,49
651-1442683		SAC-3P- 3,0-PUR/M12FR P	D	3	R/A Female	Open	3	11,28	10,73	10,21
651-1442696		SAC-3P- 5,0-PUR/M12FR P	D	3	R/A Female	Open	5	12,76	12,14	11,56
651-1442706		SAC-3P- 10,0-PUR/M12FR P	D	3	R/A Female	Open	10	18,01	17,13	16,32
651-1442719		SAC-4P- 1,5-PUR/M12FR P	D	4	R/A Female	Open	1.5	10,48	9,97	9,50
651-1442722		SAC-4P- 3,0-PUR/M12FR P	D	4	R/A Female	Open	3	12,31	11,71	11,15
651-1442735		SAC-4P- 5,0-PUR/M12FR P	D	4	R/A Female	Open	5	14,92	14,19	13,53
651-1442748		SAC-4P- 10,0-PUR/M12FR P	D	4	R/A Female	Open	10	21,81	20,74	19,76
651-1442751		SAC-5P- 1,5-PUR/M12FR P	D	5	R/A Female	Open	1.5	11,40	10,85	10,34
651-1442764		SAC-5P- 3,0-PUR/M12FR P	D	5	R/A Female	Open	3	13,79	13,11	12,50
651-1442777		SAC-5P- 5,0-PUR/M12FR P	D	5	R/A Female	Open	5	16,26	15,47	14,73
651-1442780		SAC-5P- 10,0-PUR/M12FR P	D	5	R/A Female	Open	10	23,31	22,17	21,12

Double Ended Cord Sets-Straight

For quantities greater than listed, call for quote.

MOUSER STOCK NO.		Phoenix Contact Type	Fig.	No. of Contacts	End 1	End 2	Length (m)	Price Each		
Mfr.	Mfr. Part No.							1	10	25
651-1442793		SAC-3P-M12MS/ 0,3-PUR/M12FS P	E	3	Straight Male	Straight Female	0.3	14,90	14,17	13,50
651-1442803		SAC-3P-M12MS/ 0,6-PUR/M12FS P	E	3	Straight Male	Straight Female	0.6	15,28	14,53	13,84
651-1442816		SAC-3P-M12MS/ 1,5-PUR/M12FS P	E	3	Straight Male	Straight Female	1.5	16,46	15,64	14,92
651-1442829		SAC-3P-M12MS/ 3,0-PUR/M12FS P	E	3	Straight Male	Straight Female	3	17,80	16,93	16,13
651-1442832		SAC-4P-M12MS/ 0,3-PUR/M12FS P	E	4	Straight Male	Straight Female	0.3	16,48	15,67	14,93
651-1442845		SAC-4P-M12MS/ 0,6-PUR/M12FS P	E	4	Straight Male	Straight Female	0.6	16,61	15,79	15,05
651-1442858		SAC-4P-M12MS/ 1,5-PUR/M12FS P	E	4	Straight Male	Straight Female	1.5	17,80	16,93	16,13
651-1442861		SAC-4P-M12MS/ 3,0-PUR/M12FS P	E	4	Straight Male	Straight Female	3	19,45	18,49	17,62
651-1442874		SAC-5P-M12MS/ 0,3-PUR/M12FS P	E	5	Straight Male	Straight Female	0.3	17,87	17,00	16,19
651-1442887		SAC-5P-M12MS/ 0,6-PUR/M12FS P	E	5	Straight Male	Straight Female	0.6	18,27	17,37	16,56
651-1442890		SAC-5P-M12MS/ 1,5-PUR/M12FS P	E	5	Straight Male	Straight Female	1.5	19,18	18,24	17,38
651-1442900		SAC-5P-M12MS/ 3,0-PUR/M12FS P	E	5	Straight Male	Straight Female	3	21,37	20,32	19,37



PHOENIX CONTACT M12/M8 Connectors



M12/M8 QUICKON-ONE PLUG CONNECTORS

Features:

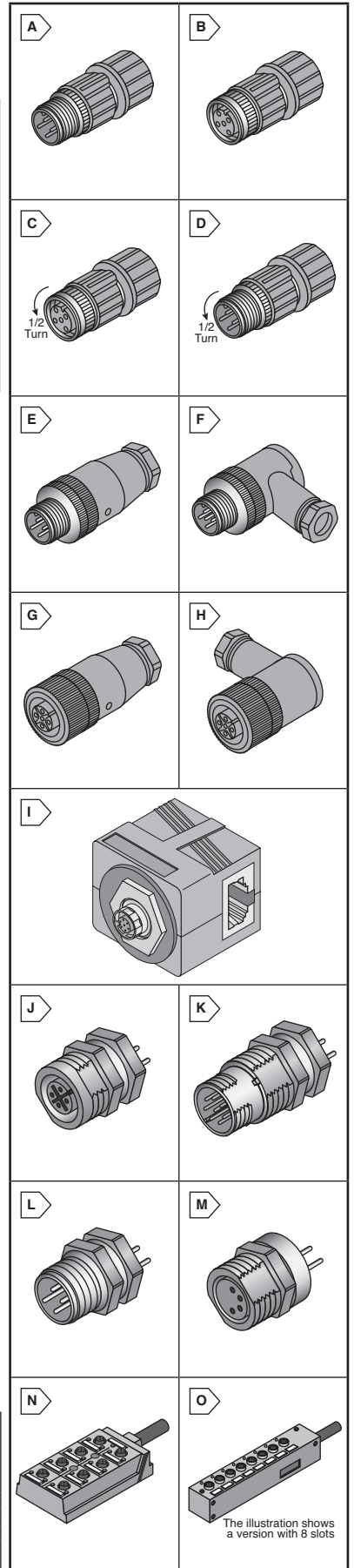
- QUICKON-ONE design allows rapid connector termination
- No Individual Wire
- IDC Wire Termination

Specifications:

- Current Rating: 4A
- IP-Degree: IP67 (IEC 60529)
- Voltage Rating: 125V AC

For quantities greater than listed, call for quote.

MOUSER STOCK NO.		Fig.	Phoenix Contact Type	No. of Positions	Cable Diameter	Mating Thread Material	AWG Range	Type	Price Each		
Mfr.	Mfr. Part No.								1	10	25
M12 Quickon-One Plug Connector											
651—1641714		A	SACC-M12MS-4QO-0.34	4	3.5 - 6mm	Plastic	26-22	Male	10,27	9,74	9,28
651—1641691		A	SACC-M12MS-4QO-0.34-M	4	3.5 - 6mm	Metal	26-22	Male	10,63	10,07	9,17
651—1641769		A	SACC-M12MS-4QO-0.75	4	3.5 - 6mm	Plastic	22-18	Male	10,07	9,27	8,84
651—1641785		A	SACC-M12MS-4QO-0.75-M	4	3.5 - 6mm	Metal	22-18	Male	10,63	10,07	9,17
651—1641701		B	SACC-M12FS-4QO-0.34	4	3.5 - 6mm	Plastic	26-22	Female	10,27	9,74	9,28
651—1641688		B	SACC-M12FS-4QO-0.34-M	4	3.5 - 6mm	Metal	26-22	Female	10,63	10,07	9,17
651—1641756		B	SACC-M12FS-4QO-0.75	4	3.5 - 6mm	Plastic	22-18	Female	10,57	9,74	8,96
651—1641772		B	SACC-M12FS-4QO-0.75-M	4	3.5 - 6mm	Metal	22-18	Female	10,63	10,07	9,17
M12 SPEEDCON Quickon-One Plug Connector											
651—1521601		C	SACC-M12FS-4QO-0.75-M SCO	4	3.5 - 6mm	Metal	22-18	Female	9,62	8,93	8,43
651—1521591		D	SACC-M12MS-4QO-0.75-M SCO	4	3.5 - 6mm	Metal	22-18	Male	9,62	8,93	8,43
M8 Quickon-One Plug Connector											
651—1506752		A	SACC-M 8MS-3PCON	3	3 - 5mm	Metal	26-22	Male	15,11	14,32	13,22
651—1506778		B	SACC-M 8FS-3PCON	3	3 - 5mm	Metal	26-22	Female	13,46	13,31	12,71



M12/M8 PLUG CONNECTORS

Features:

- Right Angle Versions can be swiveled
- Metal Threaded Knurls

Specifications:

- Current Rating: 4A
- IP-Degree: IP67 (IEC 60529)
- Voltage Rating: 125V AC



RoHS Compliant

For quantities greater than listed, call for quote.

MOUSER STOCK NO.		Fig.	Phoenix Contact Type	No. of Positions	Type Termination	Cable Diameter	Type	Price Each		
Mfr.	Mfr. Part No.							1	10	25
M12 Plug Connector										
651—1662528		E	SACC-M12MS-4CON-PG7-M	4	Screw	4 - 6mm	Straight Male	10,49	9,99	9,53
651—1681101		F	SACC-M12MR-4CON-PG7-M	4	Screw	4 - 6mm	R/A Male	10,49	9,98	9,52
651—1681127		G	SACC-M12FS-4CON-PG7-M	4	Screw	4 - 6mm	Straight Female	10,49	9,99	9,53
651—1681143		H	SACC-M12FR-4CON-PG7-M	4	Screw	4 - 6mm	R/A Female	10,49	9,99	9,53
M8 Plug Connector										
651—1681156		E	SACC-M8MS-3CON-M	3	Solder	3.5 - 5 mm	Straight Male	10,49	9,99	9,53
651—1501252		G	SACC-M8MS-3CON-M-SW	3	Screw	3.5 - 5 mm	Straight Male	13,25	12,20	11,65
651—1681172		E	SACC-M8FS-3CON-M	3	Solder	3.5 - 5 mm	Straight Female	10,49	9,99	9,53
651—1506888		G	SACC-M8FS-3CON-M-SW	3	Screw	3.5 - 5 mm	Straight Female	12,86	11,65	10,95

M12 CABINET FEEDTHROUGH

Features:

- Transition from M12 Field devices to RJ45 Devices inside control cabinet
- 180° & 90° versions available

Specifications:

- IP-Degree: IP65/67
- Cat5e Rated
- Temperature range: -25°C to +85°C

For quantities greater than listed, call for quote.

MOUSER STOCK NO.		Fig.	Phoenix Contact Type	No. of Positions	Coding	Mating Thread Material	Orientation	Price Each		
Mfr.	Mfr. Part No.							1	10	25
651—1657261		I	VS-BH-M12FSD-RJ45/90	4	A	Metal	90°	29,80	27,41	25,33
651—1657494		I	VS-BH-M12FSDRJ45/180	4	A	Metal	180°	29,80	27,41	25,33
651—1405057		I	VS-BHM12FS-8CON-RJ45	8	D	Metal	90°	38,66	35,59	34,49
651—1405060		I	VS-BHM12FS-8CON-RJ45	8	D	Metal	180°	38,66	35,59	34,49

PANEL MOUNT CONNECTORS

For quantities greater than listed, call for quote.

MOUSER STOCK NO.		Fig.	Phoenix Contact Type	No. of Positions	Keying	Orientation	Price Each		
Mfr.	Mfr. Part No.						1	10	25
M12 - Speedcon - PCB									
651—1542761		J	SACC-DSI-FS-5CON-L180 SCO	5	A-standard	Straight Female	10,29	9,56	9,13
651—1543650		J	SACC-DSI-FSB-5CON-L180 SCO	5	B-inverse	Straight Female	10,29	9,56	9,13
651—1542774		J	SACC-DSI-FS-8CON-L180 SCO	8	A-standard	Straight Female	20,04	18,44	17,61
651—1542745		K	SACC-DSI-MS-5CON-L180 SCO	5	A-standard	Straight Male	10,29	9,29	8,87
651—1542758		K	SACC-DSI-MS-8CON-L180 SCO	8	A-standard	Straight Male	18,36	17,08	16,29
M8 - PCB									
651—1694334		L	SACC-DSI-M8MS-3CON-L180	3	---	Straight Male	8,93	8,23	7,85
651—1694363		M	SACC-DSI-M8FS-3CON-L182	3	---	Straight Female	10,47	10,44	9,64
651—1694376		M	SACC-DSI-M8FS-4CON-L183	4	---	Straight Female	8,08	7,44	7,10
M8 Receptacles with 0.5M Wire Leads									
651—1500350		-	SACC-E-M-8FS-3CON-M8/0.5	3	---	Female Panel	14,15	13,03	12,44
651—1500334		-	SACC-E-M-8MS-3CON-M8/0.5	3	---	Male Panel	12,28	11,31	10,80

SENSOR/ACTUATOR BOXES

The SACB sensor/actuator boxes set new standards in distributed field cabling when it comes to space. Ideal use of space is guaranteed by the extremely flat design. The boxes are offered in a variety of styles to accommodate any application.

For quantities greater than listed, call for quote.

MOUSER STOCK NO.		Fig.	Phoenix Contact Type	No. of Slots	No. of Positions	Master Cable L (m)	Slot Type	With LED	Price Each	
Mfr.	Mfr. Part No.								1	5
M12 Boxes										
651—1680982		N	SACB-8/8-5.0PUR	8	4	5	Single-Occupied	-	111,14	102,32
651—1695171		N	SACB-8/8-L-10.0PUR	8	4	10	Single-Occupied	LED	157,34	144,85
M12 Sensor/Actuator Boxes with Connected Master Cable - Speedcon										
651—1517165		N	SACB-8/8-L-5.0PUR SCO	8	4	5	Single-Occupied	LED	126,25	116,23
M8 Sensor/Actuator Boxes										
651—1516072		O	SACB-10/3-L-5.0PUR M8	10	3	5	-	LED	151,58	139,54

The illustration shows a version with 8 slots

SOURIAU Sealed Plastic Circular Connectors and Tooling

UTS SERIES WITH IP68/69K SEALING TRIM TRIO™

Specifications:

- Connectors and Backshell Material: Thermoplastic
- ROHS Compliant per Souriau Documentation
- Operating temp: -40°C to +105°C
- Quick, secure, and reliable bayonet locking system
- UTS Connectors accept TRIM TRIO® removable snap lock contacts
- UV resistant - Suitable for outdoor use
- Contacts ordered separately (see Souriau Contacts and Tooling page)

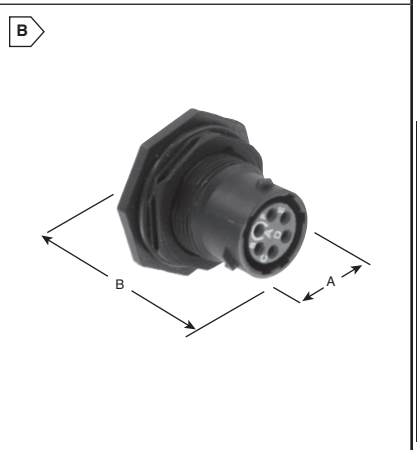
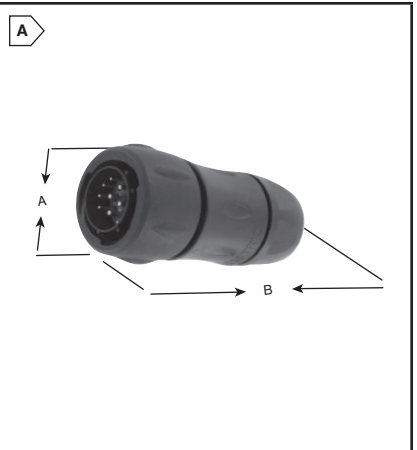


RoHS Compliant

Cable Plugs with Backshell for Pin and Socket Contacts

For quantities greater than listed, call for quote.

MOUSER STOCK NO.	Souriau Part No.	Fig.	Shell Size	No. of Contacts	Contact Type	Contact Size	Dimensions: mm		Price Each		
							A	B	1	10	25
649-UTS6JC103P	UTS6JC103P	A	10	3	Pin	16	26.2	63.2	9,36	8,98	8,70
649-UTS6JC104P	UTS6JC104P	A	10	4	Pin	16	26.2	63.2	9,49	9,07	8,79
649-UTS6JC106P	UTS6JC106P	A	10	6	Pin	20	26.2	63.2	8,21	7,96	7,49
649-UTS6JC124P	UTS6JC124P	A	12	4	Pin	16	29.7	66.7	9,99	9,55	9,27
649-UTS6JC128P	UTS6JC128P	A	12	8	Pin	16	29.7	66.7	9,99	9,55	9,27
649-UTS6JC1210P	UTS6JC1210P	A	12	10	Pin	20	29.7	66.7	8,36	8,13	7,67
649-UTS6JC147P	UTS6JC147P	A	14	7	Pin	16	34.6	71.5	10,64	10,17	9,87
649-UTS6JC1412P	UTS6JC1412P	A	14	12	Pin	16	34.6	71.5	10,63	10,17	9,87
649-UTS6JC1419P	UTS6JC1419P	A	14	19	Pin	20	34.6	71.5	10,63	10,17	9,87
649-UTS6JC103S	UTS6JC103S	A	10	3	Socket	16	26.2	63.2	10,16	9,73	9,42
649-UTS6JC104S	UTS6JC104S	A	10	4	Socket	16	26.2	63.2	10,22	9,78	9,48
649-UTS6JC106S	UTS6JC106S	A	10	6	Socket	20	26.2	63.2	11,35	10,86	10,52
649-UTS6JC124S	UTS6JC124S	A	12	4	Socket	16	29.7	66.7	9,99	9,55	9,27
649-UTS6JC128S	UTS6JC128S	A	12	8	Socket	16	29.7	66.7	9,99	9,55	9,27
649-UTS6JC1210S	UTS6JC1210S	A	12	10	Socket	20	29.7	66.7	11,84	11,34	10,98
649-UTS6JC147S	UTS6JC147S	A	14	7	Socket	16	34.6	71.5	10,63	10,17	9,87
649-UTS6JC1412S	UTS6JC1412S	A	14	12	Socket	16	34.6	71.5	10,63	10,17	9,87
649-UTS6JC1419S	UTS6JC1419S	A	14	19	Socket	20	34.6	71.5	12,56	12,01	11,65



Jam Nut Receptacles (Panel Version) for Pin and Socket Contacts

For quantities greater than listed, call for quote.

MOUSER STOCK NO.	Souriau Part No.	Fig.	Shell Size	No. of Contacts	Contact Type	Contact Size	Dimensions: mm		Price Each		
							A	B	1	10	25
649-UTS7103P	UTS7103P	B	10	3	Pin	16	16.6	33.9	7,11	6,30	6,30
649-UTS7104P	UTS7104P	B	10	4	Pin	16	16.6	33.9	7,11	6,30	6,30
649-UTS7106P	UTS7106P	B	10	6	Pin	20	16.6	33.9	7,11	6,30	6,30
649-UTS7124P	UTS7124P	B	12	4	Pin	16	20.8	33.9	4,95	4,85	4,65
649-UTS7128P	UTS7128P	B	12	8	Pin	16	20.8	33.9	4,95	4,85	4,65
649-UTS71210P	UTS71210P	B	12	10	Pin	20	20.8	33.9	7,11	6,30	6,30
649-UTS7147P	UTS7147P	B	14	7	Pin	16	23.9	33.9	5,79	5,66	5,40
649-UTS71412P	UTS71412P	B	14	12	Pin	16	23.9	33.9	5,79	5,66	5,54
649-UTS71419P	UTS71419P	B	14	19	Pin	20	23.9	33.9	7,11	6,62	6,42
649-UTS7103S	UTS7103S	B	10	3	Socket	16	16.6	33.9	7,11	6,30	6,30
649-UTS7104S	UTS7104S	B	10	4	Socket	16	16.6	33.9	4,89	4,79	4,59
649-UTS7106S	UTS7106S	B	10	6	Socket	20	16.6	33.9	5,81	5,63	5,41
649-UTS7124S	UTS7124S	B	12	4	Socket	16	20.8	33.9	4,95	4,85	4,65
649-UTS7128S	UTS7128S	B	12	8	Socket	16	20.8	33.9	4,95	4,85	4,65
649-UTS71210S	UTS71210S	B	12	10	Socket	20	20.8	33.9	6,78	6,57	6,19
649-UTS7147S	UTS7147S	B	14	7	Socket	16	23.9	33.9	7,11	6,34	6,30
649-UTS71412S	UTS71412S	B	14	12	Socket	16	23.9	33.9	7,11	6,35	6,30
649-UTS71419S	UTS71419S	B	14	19	Socket	20	23.9	33.9	8,56	8,19	7,94



Receptacle Sealing Caps and Plugs

For quantities greater than listed, call for quote.

MOUSER STOCK NO.	Souriau Part No.	Fig.	Shell Size	Type	Price Each		
					1	10	25
649-UTS10DCG	UTS10DCG	C	10	Receptacle	2,55	2,49	2,39
649-UTS12DCG	UTS12DCG	C	12	Receptacle	7,04	6,23	6,23
649-UTS14DCG	UTS14DCG	C	14	Receptacle	7,04	6,23	6,23
649-UTS610DCG	UTS610DCG	D	10	Plug	7,11	6,30	6,30
649-UTS612DCG	UTS612DCG	D	12	Plug	7,11	6,30	6,30
649-UTS614DCG	UTS614DCG	D	14	Plug	7,21	6,91	6,70



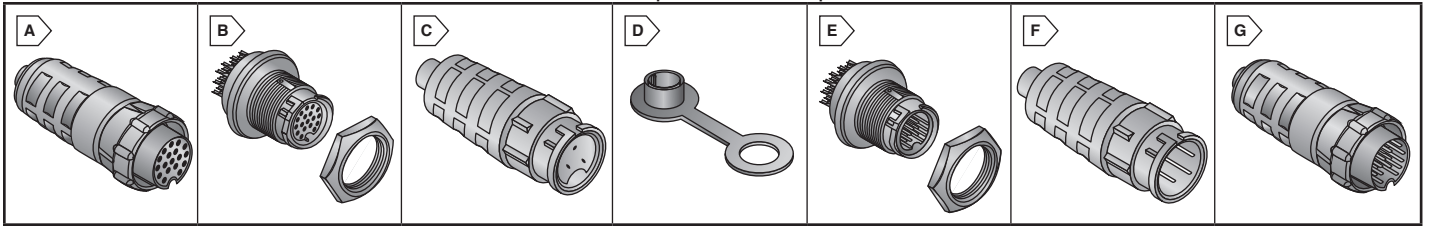
Color Coding Rings

For quantities greater than listed, call for quote.

MOUSER STOCK NO.	Souriau Part No.	Shell Size	Type	Price Each		
				1	10	25
649-UTS710CCRG	UTS710CCRG	10	Green	0,36	0,34	0,327
649-UTS712CCRG	UTS712CCRG	12	Green	0,36	0,34	0,327
649-UTS714CCRG	UTS714CCRG	14	Green	0,36	0,34	0,327
649-UTS710CCRY	UTS710CCRY	10	Yellow	0,36	0,34	0,327
649-UTS712CCRY	UTS712CCRY	12	Yellow	0,36	0,34	0,327
649-UTS714CCRY	UTS714CCRY	14	Yellow	0,36	0,34	0,327
649-UTS710CCRR	UTS710CCRR	10	Red	0,36	0,34	0,327
649-UTS712CCRR	UTS712CCRR	12	Red	0,36	0,34	0,327
649-UTS714CCRR	UTS714CCRR	14	Red	0,36	0,34	0,327

SWITCHCRAFT EN3™ Weathertight Series Switchcraft®

RoHS compliant This product is RoHS compliant.



Specifications:

- Material:** Panel connector shells and solder contact locking disk: Thermoplastic polymer glass fiber, flame retardant
Connector shell interior: Thermoplastic rubber
Contacts: Copper base alloy gold-plated over nickel underplate
- Mechanical:** Shock: Mil-Std 202 Method 213B, condition K
Vibration: Mil-Std 202 Method 201
Life: 600 insertion/withdrawal cycles (minimum)
- Electrical:** Voltage Rating (sea level): Tested at 600 VRMS
Insulation Resistance: 100 megohms (minimum) at 77°F
Current rating: 13.0 Amps (#16 contact) 3 Pin
7.5 Amps (#20 contact) 3 to 6 Pin
6.5 Amps (#20 contact) 7 and 8 Pin
3.0 Amps (#26 contact) 9 to 18 Pin
- Cable Diameter:** .195" to .265"
- New "LX" Cable Clamp** with retaining nut accepts cable diameter from 0.23-0.38"
- Environmental:** Temperature Limits: -40°C to +65°C (non-operating)
Moisture Resistance: Mil-Std 202 Method 106°F
Insulation Resistance: Mil-Std 202 Method 302 condition B
Thermal Shock: Mil-Std 202 Method 101D condition B
Salt Spray: Mil-Std 202 Method 101D condition B
Exceeds Coast Guard specifications for water tightness (CRF 46 Part 110.20)
- atings:** IP16/IP18, IP66/IP68, NEMA 250 (6P)
CFR 46 Part 110.20, UL94V-0
- Termination:** Solder cup
9C-18C have staggered solder cups for easier soldering

Features:

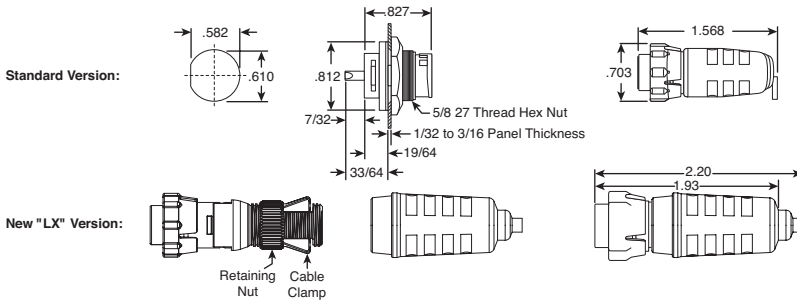
- Double-sealed for moisture & chemical resistance
- Integral O-ring and gasket is molded onto panel housing to prevent leakage and eliminate need for additional O-rings and gaskets
- Panel Connector shell has a positioning keyway to prevent misalignments and a polarizing single "D" design for proper panel mounting and prevents rotational movement
- Abrasion-resistant thermoplastic boot provides strain relief and accepts cable diameter .195" to .265"
- New "LX" boot seals cable diameters up to 0.38"

Applications:

- Process Control
- Marine Electronics
- Medical Instrumentation
- Geothermal Instrumentation
- Communication
- General Industrial Electronics

Fig.	Mates with Fig.
A	E & F
A	G
A	G

DIMENSIONS: in.



PROTECTIVE CAP

Covers the panel housing assembly when not in use.

For quantities greater than listed, call for quote.

MOUSER STOCK NO.	Switchcraft Part No.	Fig.	Price Each			
			1	10	25	50
Cord Type						
502-EN3CAP	EN3CAPX	D	1,26	1,20	1,01	0,688

PROTECTIVE BOOT

MOUSER STOCK NO.	Switchcraft Part No.	Fig.	Price Each			
			1	10	25	50
502-EN3BOOT	EN3BOOTX	-	0,35	0,322	0,306	0,281

Circular Connectors

Switchcraft

SOCKET TYPE (FEMALE)

* New "LX" Version (Large Boot & Clamp)

For quantities greater than listed, call for quote.

MOUSER STOCK NO.	Switchcraft Part No.	Fig.	No. of Contacts	Contact Size	Price Each			
					1	10	25	50
Cord Type								
502-EN3C3F16	EN3C3F16X	A	3	16	6,47	4,97	4,56	4,35
502-EN3C2FX	EN3C2FX	A	2	20	4,97	4,55	3,95	3,72
502-EN3C3F	EN3C3FX	A	3	20	7,47	7,03	5,74	3,51
502-EN3C4F	EN3C4FX	A	4	20	9,05	8,51	6,92	4,17
502-EN3C5FX	EN3C5FX	A	5	20	6,77	5,63	5,03	4,68
502-EN3C6F	EN3C6FX	A	6	20	10,53	9,90	8,30	5,50
502-EN3C7F	EN3C7FX	A	7	20	12,49	11,58	11,31	10,76
502-EN3C8F	EN3C8FX	A	8	20	8,76	7,29	6,89	6,85
502-EN3C9F26S	EN3C9F26SX	A	9	26	13,63	12,85	12,17	11,55
502-EN3C10F26S	EN3C10F26SX	A	10	26	15,59	14,71	13,93	13,22
502-EN3C11F26S	EN3C11F26SX	A	11	26	16,04	15,12	14,31	13,59
* 502-EN3C12F26SLX	EN3C12F26SLX	A	12	26	16,95	15,99	15,13	14,36
502-EN3C12F26S	EN3C12F26SX	A	12	26	17,28	16,29	15,42	14,64
502-EN3C15F26S	EN3C15F26SX	A	15	26	22,13	20,87	19,75	18,74
502-EN3C16F26S	EN3C16F26SX	A	16	26	22,24	20,98	19,86	18,85
502-EN3C18F26S	EN3C18F26SX	A	18	26	19,75	18,63	17,63	16,74
* 502-EN3C18F26SLX	EN3C18F26SLX	A	18	26	23,99	22,63	21,42	20,33
Panel Type								
502-EN3P3F16	EN3P3F16X	B	3	16	5,83	4,97	4,55	4,06
502-EN3P2F	EN3P2FX	B	2	20	4,73	4,45	4,43	4,36
502-EN3P3F	EN3P3FX	B	3	20	6,17	5,82	4,81	3,06
502-EN3P4FX	EN3P4FX	B	4	20	5,73	4,57	4,19	3,94
502-EN3P5F	EN3P5FX	B	5	20	8,61	8,13	6,71	4,24
502-EN3P6F	EN3P6FX	B	6	20	9,74	9,17	7,66	5,04
502-EN3P9F26S	EN3P9F26SX	B	9	26	11,60	10,25	9,50	8,26
502-EN3P10F26S	EN3P10F26SX	B	10	26	9,68	9,26	8,86	8,54
502-EN3P12F26SX	EN3P12F26SX	B	12	26	14,83	13,10	12,16	11,36
502-EN3P14F26S	EN3P14F26SX	B	14	26	16,51	16,10	15,44	12,16
502-EN3P15F26S	EN3P15F26SX	B	15	26	21,76	19,78	16,32	13,83
502-EN3P16F26S	EN3P16F26SX	B	16	26	18,55	17,02	15,46	13,13
502-EN3P18F26S	EN3P18F26SX	B	18	26	21,38	18,88	17,53	16,38
In-Line Cord Type								
502-EN3L3F16	EN3L3F16X	C	3	16	5,35	5,09	4,81	4,55
502-EN3L3FX	EN3L3FX	C	3	20	5,59	4,18	3,83	3,70
502-EN3L4F	EN3L4FX	C	4	20	7,73	7,27	6,30	4,62
502-EN3L5F	EN3L5FX	C	5	20	7,47	5,78	5,30	4,93
502-EN3L6F	EN3L6FX	C	6	20	8,22	6,62	6,06	5,65

PIN TYPE (MALE)

* New "LX" Version (Large Boot & Clamp)

For quantities greater than listed, call for quote.

MOUSER STOCK NO.	Switchcraft Part No.	Fig.	No. of Contacts	Contact Size	Price Each			
					1	10	25	50
Panel Type								
502-EN3P3M16	EN3P3M16X	E	3	16	4,27	3,88	3,51	3,25
502-EN3P2M	EN3P2MX	E	2	20	4,00	3,74	3,72	3,66
502-EN3P3MX	EN3P3MX	E	3	20	3,42	2,77	2,55	2,45
502-EN3P4MX	EN3P4MX	E	4	20	4,06	3,06	2,81	2,71
502-EN3P5M	EN3P5MX	E	5	20	6,26	5,88	4,85	3,06
502-EN3P6M	EN3P6MX	E	6	20	6,51	6,12	5,13	3,41
502-EN3P7M	EN3P7MX	E	7	20	7,60	6,98	6,85	6,57
502-EN3P8M	EN3P8MX	E	8	20	5,27	5,12	4,12	4,10
502-EN3P9M26S	EN3P9M26SX	E	9	26	7,28	6,46	6,06	5,63
502-EN3P10M26S	EN3P10M26SX	E	10	26	10,18	9,04	6,90	6,20
502-EN3P11M26S	EN3P11M26SX	E	11	26	10,55	8,71	7,38	6,89
502-EN3P12M26S	EN3P12M26SX	E	12	26	11,17	10,16	9,09	7,66
502-EN3P15M26S	EN3P15M26SX	E	15	26	12,73	11,57	9,36	7,95
502-EN3P16M26S	EN3P16M26SX	E	16	26	14,88	13,52	10,96	9,92
502-EN3P18M26S	EN3P18M26SX	E	18	26	15,67	14,24	11,41	10,21
In-Line Cord Type								
502-EN3L3M16	EN3L3M16X	F	3	16	4,51	3,93	3,58	3,32
502-EN3L2M	EN3L2MX	F	2	20	4,23	3,98	3,95	3,88
502-EN3L3M	EN3L3MX	F	3	20	4,94	4,67	4,03	2,93
502-EN3L4M	EN3L4MX	F	4	20	3,53	3,43	3,33	3,30
502-EN3L5M	EN3L5MX	F	5	20	5,33	3,99	3,65	3,63
502-EN3L6M	EN3L6MX	F	6	20	5,90	4,42	4,05	3,91
502-EN3L8M	EN3L8MX	F	8	20	7,26	5,44	5,35	5,24
Cord Type								
502-EN3C3M16	EN3C3M16X	G	3	16	4,58	4,15	3,80	3,49
502-EN3C2M	EN3C2MX	G	2	20	4,15	3,90	3,88	3,82
502-EN3C3MX	EN3C3MX	G	3	20	4,09	3,11	2,85	2,76
502-EN3C4M	EN3C4MX	G	4	20	5,76	5,42	4,50	2,89
502-EN3C5M	EN3C5MX	G	5	20	6,55	6,16	5,14	3,36
502-EN3C6M	EN3C6MX	G	6	20	5,69	4,40	4,02	3,68
502-EN3C9M26S	EN3C9M26SX	G	9	26	6,93	6,54	6,19	5,87
* 502-EN3C9M26SLX	EN3C9M26SLX	G	9	26	8,78	8,28	7,84	7,44
502-EN3C10M26S	EN3C10M26SX	G	10	26	7,61	7,17	6,79	6,44
* 502-EN3C10M26SLX	EN3C10M26SLX	G	10	26	10,38	9,78	9,26	8,79
502-EN3C12M26S	EN3C12M26SX	G	12	26	10,96	10,33	9,78	9,28
502-EN3C14M26S	EN3C14M26SX	G	14	26	12,26	11,56	10,95	10,39
502-EN3C15M26S	EN3C15M26SX	G	15	26	13,00	12,26	11,61	11,01
502-EN3C16M26S	EN3C16M26SX	G	16	26	13,70	12,92	12,23	11,60
502-EN3C18M26S	EN3C18M26SX	G	18	26	15,89	14,98	14,17	13,46
* 502-EN3C18M26SLX	EN3C18M26SLX	G	18	26	14,87	14,03	13,27	12,60

AVX Lighting Connectors and FFC Connectors



SSL - DISCRETE WIRE IDC CAPS

NEW RoHS Compliant This page of product is compliant.
For quantities greater than listed, call for quote.

MOUSER STOCK NO.	AVX Part No.	Fig.	No. of Ways	Description	Price Each			
					1	10	50	100
9176 Series								
581-609176001521000	609176001521000	A	1	Cap, glass filled nylon, black	0,17	0,14	0,116	0,107
581-609176001415000	609176001415000	A	1	Cap, glass filled nylon, black	0,17	0,14	0,116	0,074
581-609176001415100	609176001415100	A	1	Cap, glass filled nylon, white	0,17	0,14	0,116	0,107
581-709176001522006	709176001522006	A	1	IDC wire to board, contact plating, 22 gauge	0,22	0,19	0,165	0,149
581-709176001422006	709176001422006	A	1	IDC wire to board, contact plating, 22 gauge	0,22	0,19	0,165	0,149
581-709176001432006	709176001432006	A	1	IDC wire to board, contact plating, 24 gauge	0,22	0,19	0,165	0,149
581-609176002016000	609176002016000	A	2	Cap, thru wire, black	0,34	0,289	0,264	0,231
581-609176003016000	609176003016000	A	3	Cap, thru wire, black	0,42	0,355	0,322	0,281
581-609176003021000	609176003021000	A	3	Cap, thru wire, black	0,42	0,355	0,322	0,281
581-609176003016099	609176003016099	B	3	Cap with stop, black	0,42	0,355	0,322	0,281
581-609176002016099	609176002016099	B	2	Cap with stop, black	0,34	0,289	0,264	0,231
581-609176002021099	609176002021099	B	2	Cap with stop, black	0,34	0,289	0,264	0,231
581-609176003021099	609176003021099	B	3	Cap with stop, black	0,42	0,355	0,322	0,281

SOLID STATE LIGHTING CONNECTORS

The 9159 of Board-to-Board interconnect system allows two PCB's to be mated end-to-end creating strips of LED lighting. Designed specifically for the unique Solid State Lighting (SSL) market requiring coplanar (horizontal-to-horizontal) PCB mating with a 5 Amp current rating in the smallest package available.

- Electrical:**
• Current Rating: 5 Amps/Contact
• Voltage Rating: 125 VAC
- Environmental:**
• Operating Temperature: -40°C to +125°C
- Mechanical:**
• Insulator Material: Nylon: UL94VO
• Contact Material: BeCu/Phos Bronze
• Plating: Gold/Tin over Nickel
• Durability: 10 Cycles

Wired Plugs

The cabled plug was developed to bring power and signals onto the PCB's while keeping the same board level interface. This allows the designer to build a single PCB with a receptacle on one end and a plug on the other end to minimize cost and inventory. Regardless of where the PCB is used in the system, the cabled plug connector will then create the connection to the outside world. The optional latch can be inserted into the plug housing to assure positive attachment to the PCB in harsh environments without having to change the PCB connector.

MOUSER STOCK NO.	AVX Part No.	Fig.	Circuit Size	Dimensions: mm			Price Each				
				A	B	C	1	10	50	100	500
581-119159002101116	119159002101116	C	2	14.7	8	3	0,77	0,652	0,578	0,512	0,371
581-119159003101116	119159003101116	C	3	14.7	11	3	0,86	0,734	0,652	0,569	0,413
581-119159004101116	119159004101116	C	4	14.7	14	3	0,97	0,825	0,734	0,644	0,47
581-119159005101116	119159005101116	C	5	14.7	17	3	1,09	0,924	0,792	0,718	0,528
581-119159006101116	119159006101116	C	6	14.7	20	3	1,15	0,982	0,842	0,759	0,553

Top Loading Sockets

The top loading socket allows complete PCB's to be replaced in the field without having to disassemble the entire strip boards. The connector has a two part insulator whereby the top of the connector will slide open allowing the plug connector to be pulled out either vertically or at a slight angle. Once the PCB is replaced, the cover is slid back like a Zero Insertion Force (ZIF) connector to the closed position.

581-229159002101116	229159002101116	D <th rowspan="2">2</th> <th rowspan="2">11.4</th> <th rowspan="2">4.5</th> <th rowspan="2">4.5</th> <th colspan="4">Price Each</th>	2	11.4	4.5	4.5	Price Each				
							0,92	0,784	0,701	0,611	0,454
581-229159003101116	229159003101116	D	3	14.4	4.5	4.5	1,09	0,924	0,792	0,718	0,528
581-229159004101116	229159004101116	D	4	17.4	4.5	4.5	1,26	1,07	0,957	0,842	0,627
581-229159005101116	229159005101116	D	5	20.4	4.5	4.5	1,52	1,30	1,13	1,01	0,751
581-229159006101116	229159006101116	D	6	23.4	4.5	4.5	1,72	1,47	1,29	1,14	0,858

Shorting Socket

The 2 position shorting socket was designed to plug onto the last PCB in the lighting strip to short the two contacts together, closing the electrical loop. Just as the cabled plug brings power and signals onto the light strip, the shorting socket completes the circuit while maintaining a single board design.

581-589159002000006	589159002000006	E	2	8	4.2	--	Price Each				
							0,80	0,685	0,611	0,528	0,396

Covers for Plug

581-609159330201000	609159330201000	F	2	8	6.5	3	Price Each				
							0,12	0,096	0,079	0,071	0,053
581-609159330301000	609159330301000	F	3	11	6.5	3	0,12	0,096	0,079	0,071	0,053
581-609159330401000	609159330401000	F	4	14	6.5	3	0,12	0,096	0,079	0,071	0,053
581-609159330501000	609159330501000	F	5	17	6.5	3	0,12	0,096	0,079	0,071	0,053
581-609159330601000	609159330601000	F	6	20	6.5	3	0,12	0,096	0,079	0,071	0,053

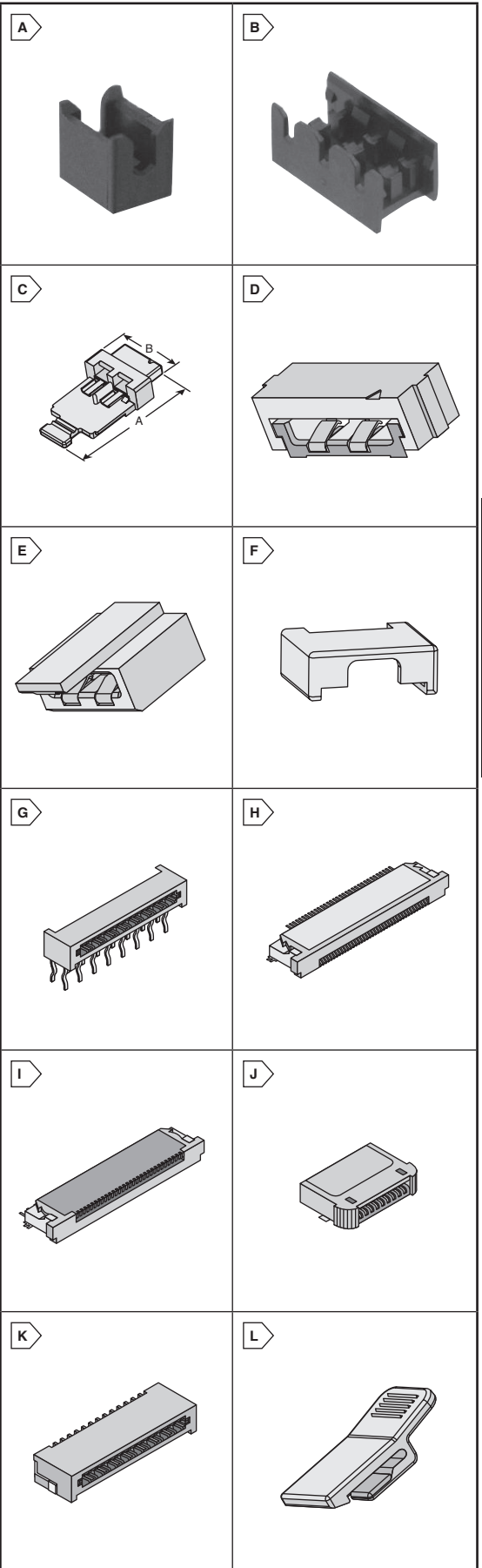
Latches for Plug

581-609159340201000	609159340201000	G	2,4,6	10	5	--	Price Each				
							0,21	0,172	0,143	0,127	0,095
581-609159340301000	609159340301000	G <td>3,5</td> <td>10</td> <td>8</td> <td>--</td> <td>0,22</td> <td>0,182</td> <td>0,153</td> <td>0,137</td> <td>0,102</td>	3,5	10	8	--	0,22	0,182	0,153	0,137	0,102

FFC CONNECTORS

For quantities greater than listed, call for quote.

MOUSER STOCK NO.	AVX Part No.	Fig.	No. of Contacts	Orientation	Contact Location	Price Each				
						1	25	50	100	
.5MM - ZIF, SMT										
581-046288008000846+	046288008000846+	H	8	Right Angle	Bottom	1,19	0,957	0,899	0,726	
581-046288010000846+	046288010000846+	H	10	Right Angle	Bottom	1,26	1,03	0,99	0,842	
581-046288012000846+	046288012000846+	H	12	Right Angle	Bottom	1,01	0,998	0,99	0,792	
581-046288015000846+	046288015000846+	H	15	Right Angle	Bottom	1,56	1,33	1,18	1,04	
581-046288016000846+	046288016000846+	H	16	Right Angle	Bottom	1,60	1,34	1,20	1,06	
581-046288020000846+	046288020000846+	H	20	Right Angle	Bottom	1,71	1,52	1,33	1,14	
581-046288024000846+	046288024000846+	H	24	Right Angle	Bottom	1,73	1,44	1,34	1,11	
581-046288026000846+	046288026000846+	H	26	Right Angle	Bottom	1,97	1,68	1,49	1,31	
581-046288030000846+	046288030000846+	H	30	Right Angle	Bottom	1,82	1,69	1,56	1,46	
581-046288040000846+	046288040000846+	H	40	Right Angle	Bottom	2,52	1,80	1,74	1,68	
581-046288050000846+	046288050000846+	H	50	Right Angle	Bottom	2,94	2,26	2,10	1,96	
581-046240054005800+	046240054005800+	H	54	Right Angle	Bottom	3,31	2,79	2,48	2,20	
581-046288055000846+	046288055000846+	H	55	Right Angle	Bottom	2,37	2,28	2,23	1,95	
581-046288060000846+	046288060000846+	H	60	Right Angle	Bottom	2,87	2,72	2,61	2,37	
581-086210033340800+	086210033340800+	H	33	Right Angle	Bottom	3,31	2,62	2,41	2,20	
581-0862122418	086212024010800	I	24	Right Angle	Top	1,58	1,51	1,34	1,20	
1MM - ZIF, SMT										
581-00620050913000+	00620050913000+	J	9	Right Angle	Bottom	1,41	1,18	1,04	0,941	
1.25MM - LIF, SMT										
581-006207341914000+	006207341914000+	K	14	Right Angle	Dual Side	1,67	1,50	1,20	0,891	
581-08370167000800	008370167000800	L	16	Right Angle	Dual Side	0,66	0,578	0,553	0,503	



Lighting Connectors
AVX

AVX Lighting Connectors



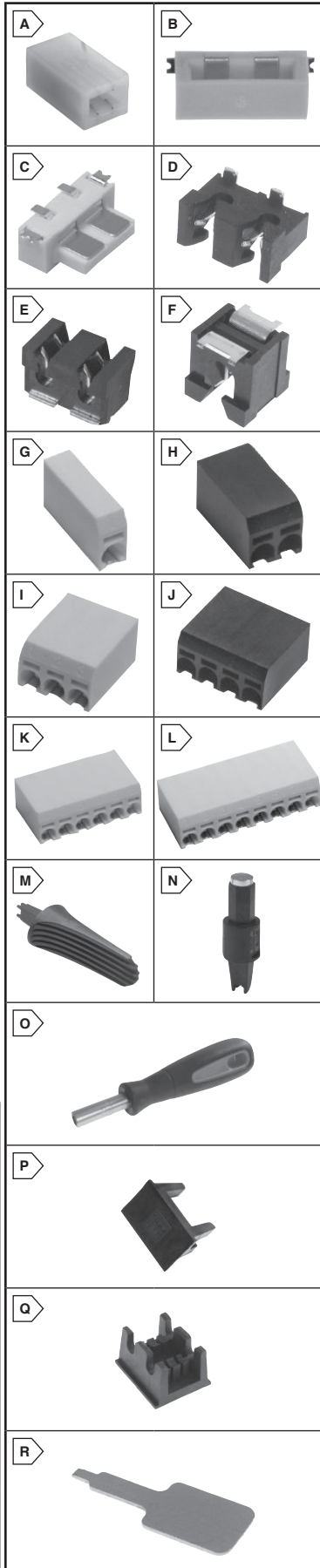
RoHS Compliant This product is RoHS compliant.

BOARD TO BOARD CONNECTORS

- 1 Piece Connectors - Operating Temperature: -55°C to +125°C
- 2 Piece Connectors - Operating Temperature: -55°C to +85°C

For quantities greater than listed, call for quote.

MOUSER STOCK NO.	AVX Part No.	Fig.	Type	No. of Pos.	Volt. Rating (V)	Amps	Contact Plating	Price Each			
								1	10	50	100
1 Piece Connectors											
581-009159002101106	009159002001106	A	Socket	2	250	3	Pure Tin	0,71	0,602	0,47	0,429
581-00915900301106	009159003001106	A	Socket	3	250	3	Pure Tin	0,89	0,762	0,594	0,545
581-00915900401106	009159004001106	A	Socket	4	250	3	Pure Tin	1,04	0,883	0,71	0,635
581-00915900501106	009159005001106	A	Socket	5	250	3	Pure Tin	1,23	1,05	0,932	0,817
2 Piece Connectors											
581-209159002101116	209159002101116	B	Socket	2	125	5	Gold	0,80	0,685	0,611	0,528
581-209159003101116	209159003101116	B	Socket	3	125	5	Gold	0,99	0,842	0,71	0,652
581-209159004101116	209159004101116	B	Socket	4	125	5	Gold	1,17	0,998	0,916	0,776
581-209159005101116	209159005101116	B	Socket	5	125	5	Gold	1,16	0,916	0,776	0,685
581-209159006101116	209159006101116	B	Socket	6	125	5	Gold	1,29	1,01	0,916	0,759
581-109159002101116	109159002101116	C	Plug	2	125	5	Gold	0,64	0,545	0,479	0,421
581-109159003101116	109159003101116	C	Plug	3	125	5	Gold	0,73	0,619	0,553	0,487
581-109159004101116	109159004101116	C	Plug	4	125	5	Gold	0,82	0,693	0,619	0,545
581-109159005101116	109159005101116	C	Plug	5	125	5	Gold	0,78	0,619	0,536	0,462
581-109159006101116	109159006101116	C	Plug	6	125	5	Gold	0,85	0,668	0,594	0,495



WIRE TO BOARD CONNECTORS

- Operating Temperature: -40°C to 105°C

For quantities greater than listed, call for quote.

MOUSER STOCK NO.	AVX Part No.	Fig.	No. of Ways	Volt. Rating (V)	Amps	Wire Gauge (AWG)	Price Each			
							1	10	50	100
9175 Series										
581-009175002001006	009175002001006	D	2	125	1	26-28	1,26	1,07	0,957	0,842
581-009175003001006	009175003001006	D	3	125	1	26-28	1,41	1,20	1,07	0,941
9176 Series										
581-009176001001006	009176001001006	E	1	250	10	18	0,52	0,437	0,388	0,347
581-009176001001106	009176001001106	E	1	250	10	18	0,52	0,437	0,388	0,347
581-009176001011006	009176001011006	E	1	250	10	20	0,52	0,437	0,347	0,318
581-009176001011106	009176001011106	E	1	250	10	20	0,52	0,437	0,388	0,347
581-009176001022006	009176001022006	E	1	250	10	22	0,52	0,437	0,347	0,318
581-009176001022106	009176001022106	E	1	250	10	22	0,52	0,437	0,388	0,347
581-009176001032006	009176001032006	E	1	250	10	24	0,52	0,437	0,347	0,318
581-009176001032106	009176001032106	E	1	250	10	24	0,52	0,437	0,347	0,318
581-009176002022006	009176002022006	E	2	250	10	22	1,53	1,28	1,15	1,01
581-009176002032006	009176002032006	E	2	250	10	24	1,53	1,28	1,15	1,01
581-009176003022006	009176003022006	E	3	250	10	22	1,60	1,34	1,20	1,06
581-009176003032006	009176003032006	E	3	250	10	24	1,60	1,34	1,20	1,06
9177 Series										
581-009177001012006	009177001012006	F	1	600	15	16	1,19	1,01	0,899	0,792
581-009177001022006	009177001022006	F	1	600	15	18	1,19	1,01	0,899	0,792
581-009177003033006	009177003033006	F	3	600	15	20	1,63	1,31	1,16	0,998
9276 Series										
581-009276001021106	00-9276001021106	G	1	-	-	18-24	0,44	0,363	0,314	0,289
581-009276002021106	00-9276002021106	H	2	-	-	18-24	0,55	0,462	0,396	0,363
581-009276003021106	00-9276003021106	I	3	-	-	18-24	0,69	0,578	0,495	0,454
581-009276004021106	00-9276004021106	J	4	-	-	18-24	0,80	0,677	0,578	0,528
581-009276006021106	00-9276006021106	K	6	-	-	18-24	1,04	0,875	0,751	0,693
581-009276008021106	00-9276008021106	L	8	-	-	18-24	1,28	1,08	0,924	0,85

TOOLS



For quantities greater than listed, call for quote.

MOUSER STOCK NO.	AVX Part No.	Fig.	Description	Price Each			
				1	10	50	100
9175 Series Hand Insertion Tool							
581-069175700401000	069175700401000	M	IDC wire to board connector tool	4,94	4,22	3,79	3,29
581-069175701701000	069175701701000	N	High production tool, Max Insulation Dia. 1.0	80,56	74,30	66,69	66,26
581-069175701701002	069175701701002	O	Mass insertion tool for 9175 Series, 2 way	634,59	592,54	516,08	465,38
581-069175701701003	069175701701003	P	Mass insertion tool for 9175 Series, 3 way	707,31	660,43	575,21	518,71
9176 Series Hand Insertion Tool							
581-067000773001000	067000773001000	Q	Universal Handle	19,50	16,09	15,60	14,13
581-069176701801000	069176701801000	N	Assembly tool, cap used, use with Universal Handle	4,47	4,20	3,87	3,66
581-069176701901000	069176701901000	N	Assembly tool, for contact only, use with Universal Handle	145,46	89,51	71,61	67,14
581-069176701902000	069176701902000	N	Assembly tool, for contact only, use with Universal Handle	145,46	89,51	71,61	67,14
581-069176702101000	069176702101000	N	Metal tool, high volume, use with Universal Handle	145,46	89,51	71,61	67,14
581-069176702201000	069176702201000	N	Plastic tool, low/med volume, for single contact, use with Universal Handle	3,86	3,67	3,28	3,09
581-069176701601000	069176701601000	N	Med production tool, Max Insulation Dia. 2.1	7,57	5,67	5,42	4,78
581-069176701602000	069176701602000	N	Med production tool, Max Insulation Dia. 1.6	7,57	5,67	5,16	5,03
581-069176701701000	069176701701000	N	Hand insertion for single 18/24 gauge wire	89,51	66,26	66,26	66,26
581-069176701701002	069176701701002	O	IDC connector tool, Max Insulation Dia. 2.10, 2 way	707,31	660,43	575,21	518,71
581-069176701701003	069176701701003	P	IDC connector tool, Max Insulation Dia. 2.10, 3 way	707,31	660,43	575,21	518,71
581-069176701702000	069176701702000	N	Hand insertion for single 18/24 gauge wire	145,46	89,51	71,61	67,14
581-069176701702002	069176701702002	O	IDC connector tool, Max Insulation Dia. 1.60, 2 way	707,31	660,43	575,21	518,71
581-069176701702003	069176701702003	P	IDC connector tool, Max Insulation Dia. 1.60, 3 way	707,31	660,43	575,21	518,71
9177 Series Hand Insertion Tool							
581-06917701602002	06917701602002	O	2 way, Max Insulation Dia. 3.50	2,70	2,39	2,39	2,39
581-069177500001000	069177500001000	-	Development Kit for 9177 Series	60,63	57,59	55,91	54,23
9276 Series Wire Extraction Tool							
581-069276700101000	069276700101000	R	Thin bladed wire extraction tool	13,14	9,10	7,28	6,47

TE Lighting Connectors

SlimSeal LOW POWER SEALED LIGHTING CONNECTORS

The SlimSeal SSL connectors are low profile, single row connectors developed for indoor and outdoor LED lighting applications. These connectors provide low power, sealed solutions for free hanging, wire-to-wire interconnects and for robust, stable electrical and mechanical wire-to-board connections used in solid state lighting.

Features:

- Wire-to-wire and wire-to-board (vertical and right angle)
- 18-24 AWG stranded wire
- Positive integral latching
- Polarized connectors
- Pre-assembled seals & wire guides
- IP67 rating
- UV resistance (wire-to-wire)

Applications:

- Billboards
- Live events lighting
- Wall wash lighting
- Spot lighting
- Street lighting
- Tunnel lighting
- Flood lights
- LED strip lighting

For quantities greater than listed, call for quote.

MOUSER STOCK NO.	TE Part No.	Fig.	No. of Positions	Description	Price Each		
					1	25	50
571-2106135-2	2106135-2	A	2	Wire-to-wire Plug	1,42	1,28	1,18
571-2106135-4	2106135-4	A	4	Wire-to-wire Plug	1,74	1,58	1,44
571-2106136-2	2106136-2	B	2	Wire-to-wire Receptacle	1,41	1,29	1,17
571-2106136-4	2106136-4	B	4	Wire-to-wire Receptacle	1,40	1,27	1,17
571-2106053-2	2106053-2	C	2	Vertical Header, SMT	1,39	1,27	1,14
571-2106053-6	2106053-6	C	4	Vertical Header, SMT	1,63	1,47	1,34
571-2106056-2	2106056-2	D	2	Right Angle Header, SMT	1,19	1,17	0,983
571-2106056-8	2106056-8	D	4	Right Angle Header, SMT	1,38	1,25	1,14
Contacts							
571-2106123-2	2106123-2	E	-	18-20 AWG Receptacle Contact	0,14	0,12	0,11
571-1-2106123-2	1-2106123-2	E	-	22-24 AWG Receptacle Contact	0,14	0,12	0,117
571-2106124-9	2106124-9	F	-	18-20 AWG Blade Contact	0,18	0,16	0,15
571-2-2106124-7	2-2106124-7	F	-	22-26 AWG Blade Contact	0,19	0,17	0,15

IDC SSL CONNECTORS

The IDC SSL connector series are insulation displacement (IDC) SMT and thru-hole wire-to-wire connectors designed for quick, tool-less termination of discrete wires onto LED printed circuit boards. These connectors use TE proven insulation displacement technology to provide a robust, stable electrical and mechanical power connection to single or multiple printed circuit boards in solid state lighting and non-lighting applications.

Features:

- SMT and thru-hole
- Closed end and feed through
- 18-24 AWG stranded and solid wire
- Dual IDC slots for redundancy
- Wire placement "viewing" window
- Wire gauge color coded
- Tool-less termination

Applications:

- LED lighting controls
- General illumination LED fixtures
- Connecting strings of pcb LED light modules
- Non-lighting wire-to-board applications

For quantities greater than listed, call for quote.

MOUSER STOCK NO.	TE Part No.	Fig.	No. of Positions	AWG.	Dim. "D" mm (in.)	Color	Price Each		
							1	25	100
Closed End SMT									
571-2106003-2	2106003-2	G	2	18	9.70 (.382)	Yellow	0,60	0,504	0,404
571-2106003-3	2106003-3	G	3	18	13.70 (.539)	Yellow	0,70	0,571	0,447
571-1-2106003-2	1-2106003-2	G	2	20	9.70 (.382)	Blue	0,62	0,504	0,41
571-1-2106003-3	1-2106003-3	G	3	20	13.70 (.539)	Blue	0,69	0,57	0,446
571-2-2106003-2	2-2106003-2	G	2	22	9.70 (.382)	Green	0,61	0,505	0,405
571-2-2106003-3	2-2106003-3	G	3	22	13.70 (.539)	Green	0,70	0,571	0,447
571-3-2106003-2	3-2106003-2	G	2	24	9.70 (.382)	Red	0,61	0,505	0,405
Feed Through SMT									
571-2106431-2	2106431-2	H	2	18	9.70 (.382)	Yellow	0,61	0,505	0,405
571-2106431-3	2106431-3	H	3	18	13.70 (.539)	Yellow	0,70	0,571	0,447
571-1-2106431-2	1-2106431-2	H	2	20	9.70 (.382)	Blue	0,61	0,505	0,405
571-1-2106431-3	1-2106431-3	H	3	20	13.70 (.539)	Blue	0,69	0,57	0,446
571-2-2106431-2	2-2106431-2	H	2	22	9.70 (.382)	Green	0,58	0,48	0,375
571-2-2106431-3	2-2106431-3	H	3	22	13.70 (.539)	Green	0,69	0,57	0,446
571-3-2106431-2	3-2106431-2	H	2	24	9.70 (.382)	Red	0,58	0,48	0,38
Closed End-Through Hole									
571-2106489-2	2106489-2	I	2	18	9.70 (.382)	Yellow	0,56	0,46	0,385
571-1-2106489-2	1-2106489-2	I	2	20	9.70 (.382)	Blue	0,51	0,42	0,39
Feed Through-Through Hole									
571-2106751-2	2106751-2	J	2	18	9.70 (.382)	Yellow	0,56	0,46	0,385
571-1-2106751-2	1-2106751-2	J	2	20	9.70 (.382)	Blue	0,59	0,473	0,373

BOARD-TO-BOARD SCREW DOWN JUMPER ASSEMBLY

The board-to-board, screw down jumper assembly provides the electrical connection between two adjacent printed circuit boards in a string of printed circuit boards.

Features:

- 2 position connection assembly
- Fits onto 16.50 mm wide PCB
- 7.0mm PCB spacing
- #6 screw (not included) secures assembly to heat sink or base

Applications:

- T8-T12 fluorescent retrofit LED bulbs
- LED lighting strips
- LED lighting controls
- Channel lettering

For quantities greater than listed, call for quote.

MOUSER STOCK NO.	TE Part No.	Fig.	Description	Price Each		
				1	25	100
571-2106154-1	2106154-1	K	Screw Down Jumper Assembly	1,48	1,32	0,993

G13 STYLE SMT ASSEMBLY AND END CAP

The G13 Style SMT Assembly and End Cap Cover are designed for use on printed circuit board LED strip lighting modules in T8 and T12 fluorescent retrofit LED tubes.

Features:

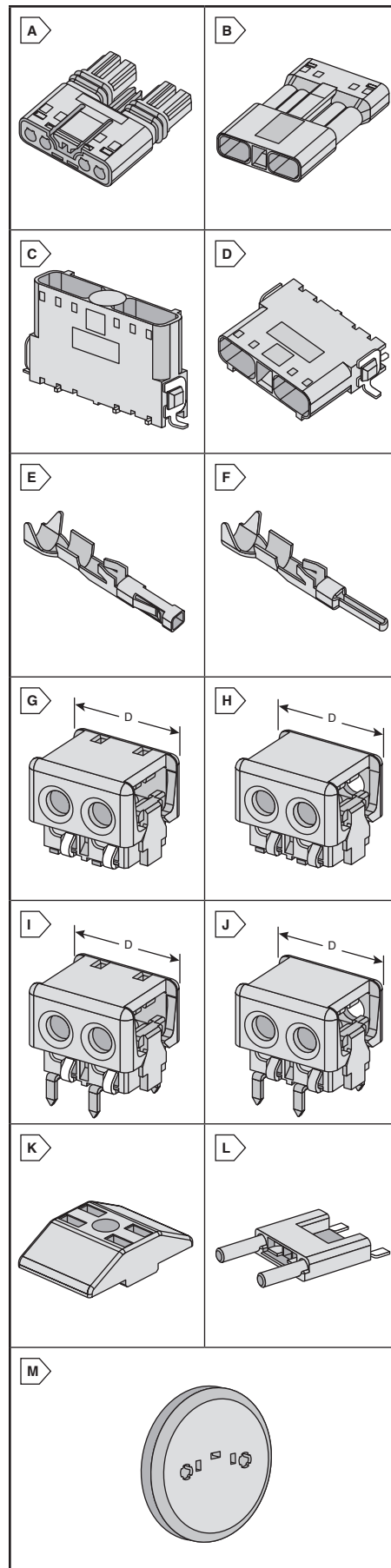
- 2 Position G13 Style SMT Assembly
- The End Cap Cover is designed to interface with G13 Style SMT assembly, heat sink and tube.
- 0.5 inch pin centerline per G13 specification
- High temperature material for reflow processing

Applications:

- Standard T8 and T12 fluorescent fixtures

For quantities greater than listed, call for quote.

MOUSER STOCK NO.	TE Part No.	Fig.	Description	Price Each		
				1	25	100
571-2106150-1	2106150-1	L	G13 Style SMT Assembly	2,54	2,11	1,63
571-2106646-1	2106646-1	M	End Cap Cover	1,18	1,04	0,797



TE Lighting Connectors



RoHS Compliant This product is RoHS compliant.

HERMAPHRODITIC BLADE AND RECEPTACLE CONNECTORS

Features:

- Available in 2, 4, and 6 Positions
- Connector Mates to Itself
- Single Part to be Stocked and Placed onto PCB per Position
- Connector Mates and Unmates Horizontally and Vertically -3 Axis Mating
- Connector can be Articulated from 90° to 180°
- Solder Pad Footprint Compatible with TE SMT Poke-In LED Connector
- Redundant SMT Pads

Applications:

- LED Lighting Modules
- Incandescent Lighting Strips
- Channel Lettering



RoHS Compliant

Board to Board

For quantities greater than listed, call for quote.

MOUSER STOCK NO.	TE Part No.	Fig.	No. of Positions	Color	Price Each		
					1	25	100
Without Latches							
571-1954289-1	1954289-1	A	2	White	0,59	0,524	0,371
571-1-1954289-1	1-1954289-1	A	2	Black	0,58	0,523	0,37
571-1954289-2	1954289-2	A	4	White	1,21	1,08	0,77
571-1-1954289-2	1-1954289-2	A	4	Black	1,17	1,04	0,74
571-1954289-3	1954289-3	A	6	White	1,49	1,32	0,958
571-1-1954289-3	1-1954289-3	A	6	Black	1,58	1,43	1,19
With Latches							
571-2058703-1	2058703-1	B	2	White	0,59	0,463	0,373
571-1-2058703-1	1-2058703-1	B	2	Black	0,67	0,524	0,422
571-2058703-3	2058703-3	B	6	White	1,32	1,21	1,01
571-1-2058703-3	1-2058703-3	B	6	Black	1,62	1,47	1,27
Dust Covers							
571-2058128-1	2058128-1	C	2	White	0,27	0,237	0,216
571-2058128-2	2058128-2	C	4	White	0,33	0,29	0,26
571-2058128-3	2058128-3	C	6	White	0,36	0,288	0,268

Wire to Board

For quantities greater than listed, call for quote.

MOUSER STOCK NO.	TE Part No.	Fig.	No. of Positions	Color	Price Each		
					1	25	100
571-2058299-1	2058299-1	D	2	White	0,25	0,206	0,152
571-1-2058299-1	1-2058299-1	D	2	Black	0,29	0,246	0,213
571-2058299-2	2058299-2	D	4	White	0,30	0,237	0,199
571-1-2058299-2	1-2058299-2	D	4	Black	0,33	0,308	0,22
571-2058299-3	2058299-3	D	6	White	0,41	0,37	0,268
571-1-2058299-3	1-2058299-3	D	6	Black	0,32	0,297	0,213

Contacts

For quantities greater than listed, call for quote.

MOUSER STOCK NO.	TE Part No.	Fig.	Description	Price Each		
				1	25	100
571-2058301-2	2058301-2	E	Blade Contact	0,20	0,16	0,14
571-2058302-2	2058302-2	F	Socket Contact	0,17	0,14	0,13

Hand Tool

For quantities greater than listed, call for quote.

MOUSER STOCK NO.	TE Part No.	Description	Price Each
571-2063778-1	2063778-1	Pro Crimper III with Die 22-18 AWG	1112,14

INVERTED SMT THRU BOARD CONNECTORS

Features:

- Eliminates wire dress management issues with discreet wire leads around the surface of the LED pc board
- Accepts 2 thru 6 Position TE Mini CT connector
- Low profile design
- Rounded corners to minimize shadowing
- Surface mount hold downs provide stability during mating and unmating

Applications:

- LED lighting controls
- Indoor and outdoor lighting fixtures
- General LED illumination fixtures
- Various non-lighting applications that require wire dress connections below the pc board



RoHS Compliant

Connectors

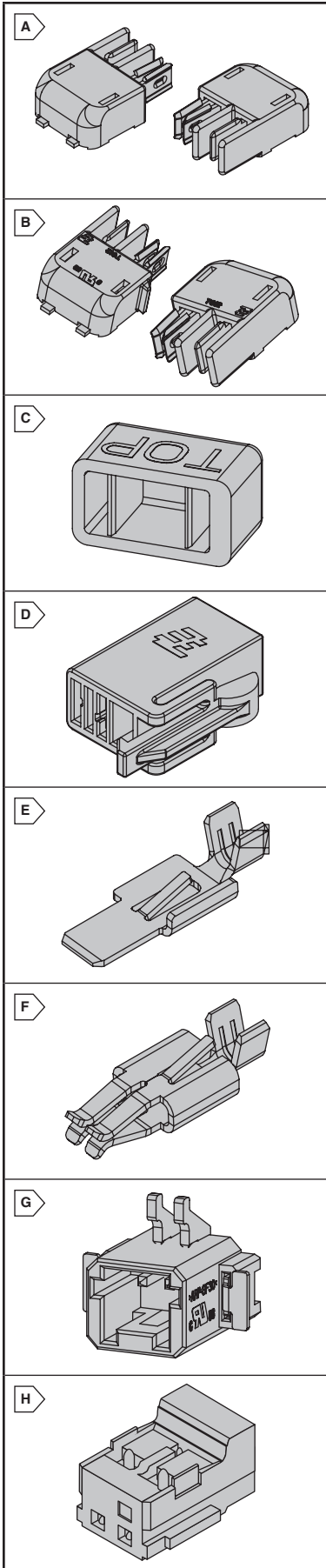
For quantities greater than listed, call for quote.

MOUSER STOCK NO.	TE Part No.	Fig.	No. of Positions	Price Each		
				1	25	100
571-2106091-1	2106091-1	G	2	0,88	0,771	0,527
571-2106091-2	2106091-2	G	3	1,09	0,904	0,601
571-2106091-3	2106091-3	G	4	1,33	1,10	0,74
571-2106091-4	2106091-4	G	5	1,42	1,18	0,793
571-2106091-5	2106091-5	G	6	1,70	1,40	0,935

Mini CT Cable Assemblies

For quantities greater than listed, call for quote.

MOUSER STOCK NO.	TE Part No.	Fig.	No. of Positions	Price Each		
				1	25	100
571-2058943-1	2058943-1	H	2	0,54	0,463	0,374
571-2058943-2	2058943-2	H	3	0,65	0,555	0,442
571-2058943-3	2058943-3	H	4	0,81	0,73	0,663
571-2058943-4	2058943-4	H	5	0,86	0,75	0,605
571-2058943-5	2058943-5	H	6	0,95	0,832	0,667



ALPS Small Memory Card Connectors



RoHS Compliant This product is RoHS compliant.

ALPS

ALPS CONNECTORS FOR SD MEMORY CARDS

Features:

- Media half-lock structure stops media from flying out during ejection, preventing the dropping and loss of media.
- Media detection switch adopts a highly reliable structure where the contact slides at ON/OFF to ensure detection of media insertion timing.
- Also compatible to MultiMediaCard™
- Compact size and low-profile.

Specifications:

- Mating/unmating cycles: 10,000 cycles
- Operating temperature range: -25°C to +60°C
- Voltage proof: 100V AC 1 minute/500V AC 1 minute (SCDA3)
- Insulation resistance (Initial): 1,000M Ω min.
- Contact resistance (Initial): Connector contacts 100m max.

Applications:

- For digital cameras, digital camcorders, mobile phones, PCs and personal digital assistants
- For home audio equipment (TVs, set top boxes, etc.)
- For stereo systems
- For portable memory players

For quantities greater than listed, call for quote.

MOUSER STOCK NO.	Alps Part No.	Fig.	Stand-off (mm)	Mounting System	Features	Packaging Type	Price Each			
							1	25	50	100
688-SCDA3A0102	SCDA3A0102	A	0	Standard	Inner tail, without frame legs	Taping	1,46	1,22	1,10	0,974
688-SCDA3A0202	SCDA3A0202	A	0	Standard	Inner tail, with frame legs	Taping	1,69	1,61	1,52	1,44
688-SCDA4A0200	SCDA4A0200	A	0	Standard	Slim type, with boss	Taping	1,46	1,22	1,10	0,974
688-SCDA4A0301	SCDA4A0301	A	0	Standard	Slim type, without boss	Taping	1,46	1,22	1,10	0,974
688-SCDA4A0400	SCDA4A0400	A	1.8	Standard	Slim type	Taping	1,46	1,22	1,10	0,974
688-SCDA5A0201	SCDA5A0201	A	1.8	Reverse mount	Slim type	Tray	0,89	0,85	0,825	0,80
688-SCDA6A0101	SCDA6A0101	A	0	Reverse mount	Slim type	Taping	1,46	1,22	1,10	0,974

ALPS CONNECTORS AND ADAPTERS FOR miniSD™ CARDS

Features:

- The miniSD™ Saves 40% of pcb area and 60% of volume required by SD cards
- Highly shock-resistant robust guard lock.
- Adapter has metal frame within plastic body
- Internal media detection switch
- Half-lock structure keeps media from popping out on ejection
- Adapter allows a miniSD™ card to be used in an SD connector

Specifications:

- Mating/unmating cycles: 10,000 cycles
- Operating temperature range: Connector: -25 to +70°C
- Adapter: -25°C to 85°C
- Connector has push-push type media ejection
- Adapter has header type media ejection
- Both connector and adapter are supplied in bulk
- Connector is also available on tape and reel.

Applications:

- Mobile Phones
- Digital Cameras
- PDA's
- Personal Computers

miniSD is a trademark of San Disk

For quantities greater than listed, call for quote.

MOUSER STOCK NO.	Alps Part No.	Fig.	Description	Price Each			
				1	25	50	100
688-SCHF1A0100	SCHF1A0100	B	Manual insertion/removal miniSD Card Adapter for microSD connector	2,32	1,93	1,74	1,54
688-SCJC1A0100	SCJC1A0100	C	SD to miniSD adapter. For use in SD card connector	2,61	2,34	2,22	2,09

ALPS CONNECTORS AND ADAPTERS FOR microSD CARDS

Features:

- Improved quality
- Good operational feel

Specifications:

- Surface type mounting
- Push-push type
- 500V AC 1 minute
- 5000 cycles

Applications:

- Mobile phones
- PDA's
- Digital still cameras
- Compact audio equipment

For quantities greater than listed, call for quote.

MOUSER STOCK NO.	Alps Part No.	Fig.	Description	Price Each			
				1	25	50	100
688-SCHA1A0101	SCHA1A0101	D	Push-push, Standard Mount, without switch	0,90	0,858	0,833	0,809
688-SCHA1B0100	SCHA1B0100	D	Push-push, Standard Mount, with switch	1,05	0,998	0,974	0,941
688-SCHA2B0300	SCHA2B0300	D	Push-push, Reverse Mount, with switch	1,05	0,998	0,974	0,941
688-SCHC1A0200	SCHC1A0200	E	Manual insertion/removal, microSD Card Adapter	1,64	1,37	1,23	1,10
688-SCHD1A0101	SCHD1A0101	F	Manual insertion/removal, Surface mount, Connector-header type	1,05	0,875	0,784	0,701

ALPS CONNECTORS FOR W-SIM CARDS

Features:

- Improved operability from long ejection stroke (mm) and clear click feel.
- Good operational feel.
- Double contact-point for power and ground reduces risk of temporary power failure.
- Compact and low-profile suitable for portable devices.

Specifications:

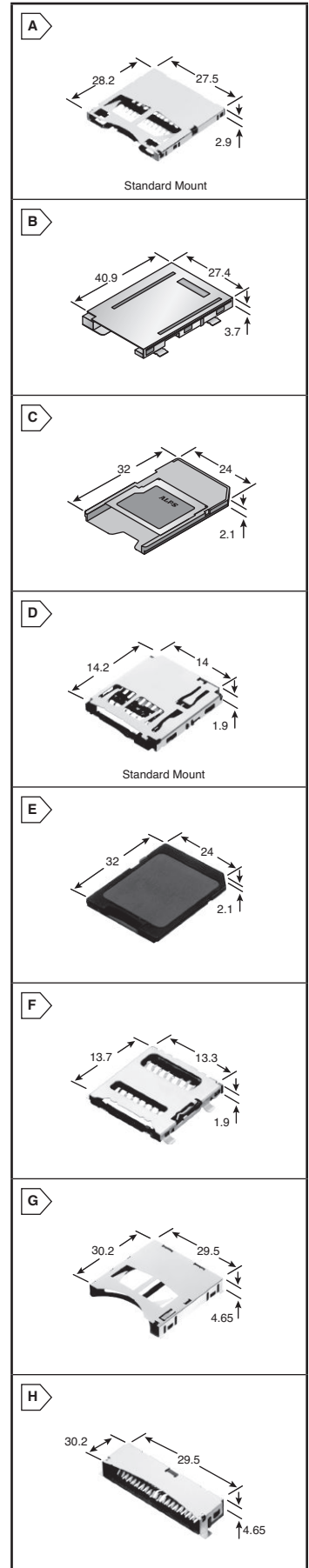
- Mating/unmating cycles: 10,000 cycles
- Operating temperature range: -25°C to +60°C
- Voltage proof: 500V AC 1 minute
- Insulation resistance (Initial): 1,000M Ω min.
- Contact resistance (Initial): 100m Ω max.

Applications:

- For mobile phones, PCs, and personal digital assistants.

For quantities greater than listed, call for quote.

MOUSER STOCK NO.	Alps Part No.	Fig.	Stand-off (mm)	Mounting System	Features	Packaging Type	Price Each			
							1	25	50	100
688-SCZA1A0100	SCZA1A0100	G	0	Standard mount	Without boss L type	Tray	6,90	5,96	5,02	4,41
688-SCZA1A0200	SCZA1A0200	G	0	Standard mount	With boss L type	Tray	6,62	5,50	4,95	4,41
688-SCZA1A0500	SCZA1A0500	G	0	Standard mount	Without boss 1.2mm type	Tray	6,62	5,50	4,95	4,41
688-SCZA1A0600	SCZA1A0600	G	0	Standard mount	With boss 1.2mm type	Tray	6,62	5,50	4,95	4,41
688-SCZA2A0100	SCZA2A0100	H	0	Standard mount	With boss L type	Tray	3,58	2,98	2,68	2,38
688-SCZA2A0200	SCZA2A0200	H	0	Standard mount	Without boss 0.6mm type	Tray	2,63	2,24	1,95	1,83



ALPS Memory Card

JAE SIM and DIMM Sockets and Memory Card Connectors



RoHS Compliant **This product is RoHS compliant.**

MM60 SERIES MODULE SOCKETS

- Compatible with PCI Express Mini Card
- Retention latch part available to fix module to connector
- Module socket compatible with specifications standardized by the PCI-SIG
- Compatible with PCI Express Mini Card
- Used for connecting modules with PCI Express and USB transmission
- Module mounting heights allow components of under 1.8mm height to be placed below the module
- RoHS Compliance per JAE documentation

For quantities greater than listed, call for quote.

MOUSER STOCK NO.	JAE Part No.	Fig.	Description	Price Each			
				1	10	25	50
656-MM60-52B1-B1-R	MM60-52B1-B1-R850	A	52P Card Socket 3.9mm Height	1,77	1,58	1,29	1,24
656-MM60-52B1-E1-R	MM60-52B1-E1-R650	A	52P Card Socket 5.9mm Height	1,80	1,67	1,19	1,08
656-MM60-EZH039-B5-R	MM60-EZH039-B5-R850	B	Latch w/ Boss For 3.9mm Socket	0,55	0,536	0,52	0,495
656-MM60-EZH059-B5-R	MM60-EZH059-B5-R650	B	Latch w/ Boss For 5.9mm Socket	0,70	0,66	0,619	0,553

MM70 SERIES GRAPHICS BOARD CONNECTORS

- MXM3.0 Standard (PCI Express 2.0 (X16 lane), VGA, Dual LVDS, Displayport (Supports 4 ports))
- Graphics board can easily be inserted at an angle
- Mating area is 0.5mm pitch, with two-layer upper and lower structure
- Precision positioning stopper prevents contact failure

For quantities greater than listed, call for quote.

MOUSER STOCK NO.	JAE Part No.	Fig.	Description	Price Each			
				1	10	25	50
656-MM70314310B11R	MM70-314-310B1-1-R300	C	314P 4.5mm height 0.10u" Gold	6,39	-	-	-
656-MM70314310B12R	MM70-314-310B1-2-R300	C	314P 4.5mm height 0.30u" Gold	6,39	-	-	-
656-MM70314310B22R	MM70-314-310B2-2-R300	D	314P 6.7mm height 0.30u" Gold	-	-	-	-

MM80 SERIES DDR3 HIGH SPEED CONNECTORS

- 204 pin socket for DDR3 SDRAM SODIMM, compatible with JEDEC standard (MO-268C).
- Incorrect-insertion prevention key operating voltage is DDR3 compatible 1.5V.
- Right-angle SMT type, connector height is available in two types: 5.2mm and 9.2mm.
- Reverse mounting type also available (heights: 5.2mm, 9.2mm).

For quantities greater than listed, call for quote.

MOUSER STOCK NO.	JAE Part No.	Fig.	Description	Price Each			
				1	10	25	50
656-MM80-204B1-1	MM80-204B1-1	C	DDR3 SDRAM, 204P, 5.2mm	6,60	5,30	4,49	4,32
656-MM80-204B1-1R	MM80-204B1-1R	E	DDR3 SDRAM, Reverse, 204P, 5.2mm	6,60	5,30	4,49	4,32
656-MM80-204B1-E1	MM80-204B1-E1	F	DDR3 SDRAM, 204P, 9.2mm	6,60	5,30	4,49	4,32
656-MM80-204B1-E1R	MM80-204B1-E1R	F	DDR3 SDRAM, Reverse, 204P, 9.2mm	6,60	5,30	4,49	4,32

PX10 / PX11 SERIES PCI-EXPRESS CARD CONNECTORS

- Conforms to Express Card Standard (Rev. 1.0)
- Standard for next generation cards standardized by the PCMCIA
- Rated Current: 0.75A/ per pin
- RoHS Compliance per JAE documentation

For quantities greater than listed, call for quote.

MOUSER STOCK NO.	JAE Part No.	Fig.	Description	Price Each			
				1	10	25	50
656-PX10FS02PH	PX10FS02PH	G	26P Express Card Cage 34mm/54mm	4,04	3,96	3,81	3,74
656-PX11-FS16NH	PX11FS16NH	H	26P Express Card Cage 34mm	11,34	9,85	8,19	7,76
656-PX10-BSB16-R800	PX10-BSB16-R800	-	PCB Side Connector	1,52	1,11	1,03	0,974

SF2, SF7 AND SF9 SIM CARD SMT CONNECTORS

- Supports GSM 11.11 standard compliant plug-in SIM Card
- Super low profile with a height of 0.5mm from the board
- Easy operation hinge slide lock mechanism
- Space saving tray type design
- RoHS Compliance per JAE documentation

For quantities greater than listed, call for quote.

MOUSER STOCK NO.	JAE Part No.	Fig.	Description	Price Each			
				1	10	25	50
* 656-SF2W006S4KE3000	SF2W006S4KE3000	J	6P SMT SIM Contact Block	0,59	0,561	0,553	0,52
** 656-SF7W006S4ER1500	SF7W006S4ER1500	J	8P 1.9mm Height, Tray Type, with D-SW	0,84	0,809	0,784	0,726
** 656-SF7W006S1AE1000	SF7W006S1AE1000	K	6P 2.3mm Height	2,27	1,77	1,64	1,58
** 656-SF7W006S1BE1000R	SF7W006S1BE1000R	K	6P 2.3mm Height w/o polarizing boss	1,44	1,35	1,25	1,17
** 656-SF7W008S1AE900	SF7W008S1AE900	K	8P 2.5mm Height with D-SW	1,84	1,67	1,53	1,40
† 656-SF9W006S4AR1200	SF9W006S4AR1200	L	6P 1.8mm Height, Connector only	1,80	1,34	1,11	1,06
† 656-SF9W006S4BR1200	SF9W006S4BR1200	L	6P 1.8mm Height, Connector only (SUB PCB)	1,80	1,54	1,11	1,06
† 656-SF9-STS1-A	SF9-STS1-A	M	Tray only, A type	0,27	0,264	0,262	0,254
† 656-SF9-STR1-B	SF9-STR1-B	M	Tray only, B type	0,61	0,37	0,328	0,313

SMALL MEMORY CARD CONNECTORS

- Small and low profile connectors
- Contact Resistance: 100mΩ or less
- Push-push structure to minimize space
- Smallest in class 1.4mm H/15.5mm D, 11.9mm W
- Rated Current: 0.5A
- RoHS Compliance per JAE documentation
- Insulation Resistance: 1000MΩ or more

For quantities greater than listed, call for quote.

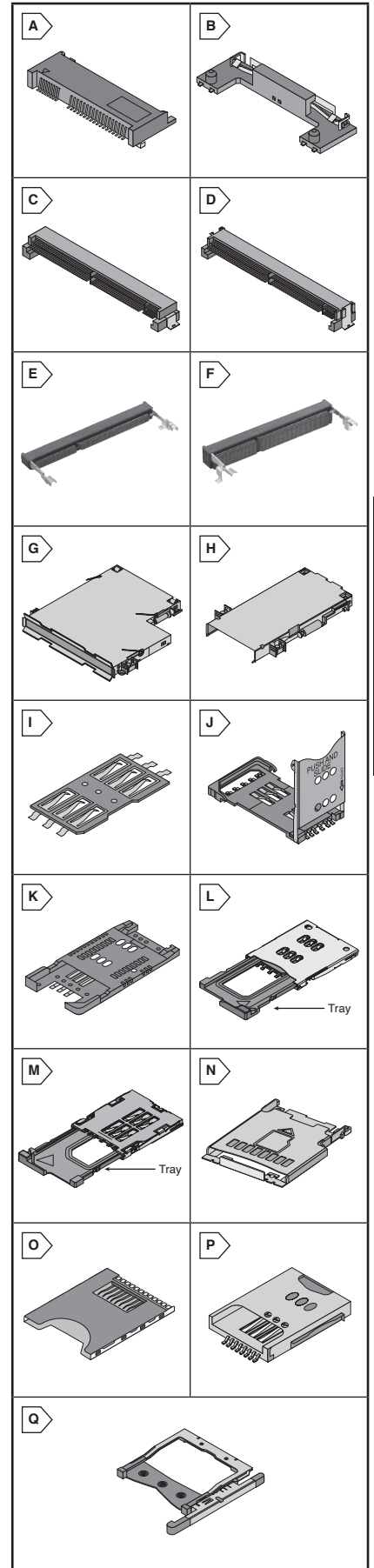
MOUSER STOCK NO.	JAE Part No.	Fig.	Description	Price Each			
				1	10	25	50
* 656-ST1W008S4GR300	ST1W008S4GR300	N	8P MicroSD Push-slide Hinge Type	4,45	4,00	3,40	3,29
656-ST1W008S4AR1500	ST1W008S4AR1500	O	8P microSD™ Push-slide Hinge Type "Open"	1,68	1,42	1,01	0,974
656-ST1W008S4ER1500	ST1W008S4ER1500	O	8P microSD™ Push-slide Hinge Type "Lock/Unlock"	1,15	1,04	0,965	0,891
656-ST5S014V4AR800	ST5S014V4AR800	P	14+2P Micro SD/SIM Card combo w/ D-SW	3,09	2,39	2,27	2,13

JC26 SERIES COMPACTFLASH® TYPE I/II CONNECTORS

- Slot mechanism compliant with CFA (Compact Flash Association) Type I/II Card
- Designed with spring-loaded mechanism to prevent card from coming out
- RoHS Compliance per JAE documentation
- 1.6mm Stand-Off option: 7.4mm height on board

For quantities greater than listed, call for quote.

MOUSER STOCK NO.	JAE Part No.	Fig.	Description	Price Each			
				1	10	25	50
656-JC26A-BB16E	JC26A-BB16E	Q	50P Side pin connector without frame, 1.6mm Stand-Off	3,51	2,87	2,19	2,09
656-JC26A-BBE	JC26A-BBE	Q	50P Side pin connector without frame, with Boss	3,51	2,87	2,19	2,09
656-JC26C2-DRL16E	JC26C2-DRL16E	Q	50P Side pin connector with frame, reverse mount	8,39	7,91	7,47	7,09
656-JC26C2-FSH16E	JC26C2-FSH16E	Q	50P Left fixed button, 1.6mm Stand-Off	3,83	2,43	2,28	2,17
656-JC26C2-FSL16E	JC26C2-FSL16E	Q	50P Left bendable button, 1.6mm Stand-Off	5,98	5,13	4,07	4,00
656-JC26E-BBE	JC26E-BBE	Q	50P Side pin connector without frame, with Boss	2,06	1,98	1,86	1,71
656-JC26E-DSRE	JC26E-DSRE	Q	50P Side pin connector with frame, Top Mount	5,87	5,32	4,55	4,48



Memory Card JAE

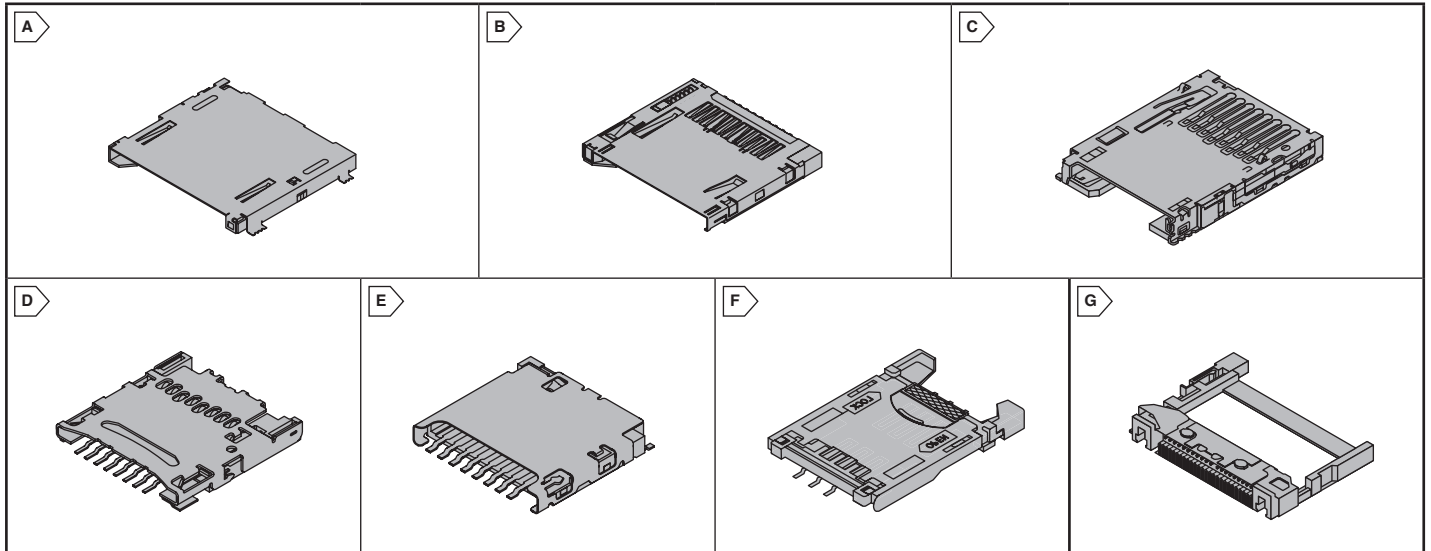
HIROSE Memory Card Connectors



This product is RoHS compliant.



HIROSE ELECTRIC CO., LTD.



DM1 SERIES - SD MEMORY CARD CONNECTOR

Features:

- Withstands higher force of card insertion.
- No damage to cards and card-lock mechanism when accidentally pulled out.
- Accidental card fall-out prevention

- Built-in Push-in/Push-out ejection mechanism assures simple and reliable card insertion and withdrawal.

- Designed to accept Secure Digital (SD) I/O Card (Built-in ground contact) and MMC Card.

For quantities greater than listed, call for quote.

MOUSER STOCK NO.	Hirose Part No.	Fig.	Description	Mounting Style	Termination Style	Price Each		
						1	25	100
798-DM1AA-SF-PEJ21	DM1AA-SF-PEJ(21)	A	Right Angle SMT	Standard	Push-Push	3,37	2,62	2,09
798-DM1AA-SF-PEJ82	DM1AA-SF-PEJ(82)	A	Right Angle SMT	Standard	Push-Push	3,37	3,10	2,85
798-DM1AA-SF-PEJ72	DM1AA-SF-PEJ(72)	A	Right Angle SMT	Standard	Push-Push	3,32	3,07	2,81
798-DM1B-DSF-PEJ22	DM1B-DSF-PEJ(22)	B	Right Angle SMT	Reverse	Push-Push	2,92	2,26	1,81
798-DM1B-DSF-PEJ82	DM1B-DSF-PEJ(82)	B	Right Angle SMT	Reverse	Push-Push	2,91	2,67	2,45

DM2 SERIES - MINISD™ MEMORY CARD CONNECTOR

Features:

- Extremely small size
- Push-in/Push-out card ejection

- Protect against card loss
- Protect against reverse card insertion

- Effective grounding and shielding
- Durable, load resistant construction

- Two-point contact
- Built-in card detection switch

For quantities greater than listed, call for quote.

MOUSER STOCK NO.	Hirose Part No.	Fig.	Description	Mounting Style	Termination Style	Price Each		
						1	25	100
798-DM2A-SFW-PEJ-S	DM2A-SFW-PEJ-S	A	Right Angle SMT	Standard	Push-Push	2,39	1,83	1,47
798-DM2B-DSFW-PEJ-S	DM2B-DSFW-PEJ-S	B	Right Angle SMT	Reverse	Push-Push	2,39	1,83	1,47

DM3 SERIES - MICROSD™ MEMORY CARD CONNECTOR

Features:

- Reliable card insertion and withdrawal
- Card fall-out protection

Specifications:

- Contact mating area: Gold
- Insulator: Black - UL94V-0

- Voltage: 125V AC
- Current 0.5A

For quantities greater than listed, call for quote.

MOUSER STOCK NO.	Hirose Part No.	Fig.	Description	Mounting Style	Termination Style	Price Each		
						1	25	100
798-DM3BT-DSF-PEJS	DM3BT-DSF-PEJS	C	Right Angle SMT	Reverse	Push-Push	2,28	1,75	1,40
798-DM3C-SF	DM3C-SF	D	Right Angle SMT	Standard	Hinge, Push-Pull	1,75	1,34	1,07
798-DM3D-SF	DM3D-SF	E	Right Angle SMT	Standard	Push-Pull	1,67	1,27	1,02

ID1A SERIES - SIM CARD SOCKETS

Features:

- Suited for plug-in SIM cards of the GSM Standard (11.11)
- Miniature and thin

- Suited for automatic mounting
- Prevention of incorrect insertion to the board
- Side lock system

For quantities greater than listed, call for quote.

MOUSER STOCK NO.	Hirose Part No.	Fig.	Description	Mounting Style	Termination Style	Price Each		
						1	25	100
2.54mm Pitch - SMT								
798-ID1A6S254SF71	ID1A-6S-2.54SF(71)	F	Flat Direct Mount SMT	Board	Hinge, Push-Pull	2,92	2,27	1,82
798-ID1A6S254SF81	ID1A-6S-2.54SF(81)	F	Flat Direct Mount SMT	Board	Hinge, Push-Pull	3,01	2,33	1,86

MI21 SERIES - COMPACT FLASH CARD CONNECTORS

Features:

- Compact Flash Card Connectors conforming to Compact Flash Association (CFA) standards.
- Headers suitable to Type I, and Type III Cards.

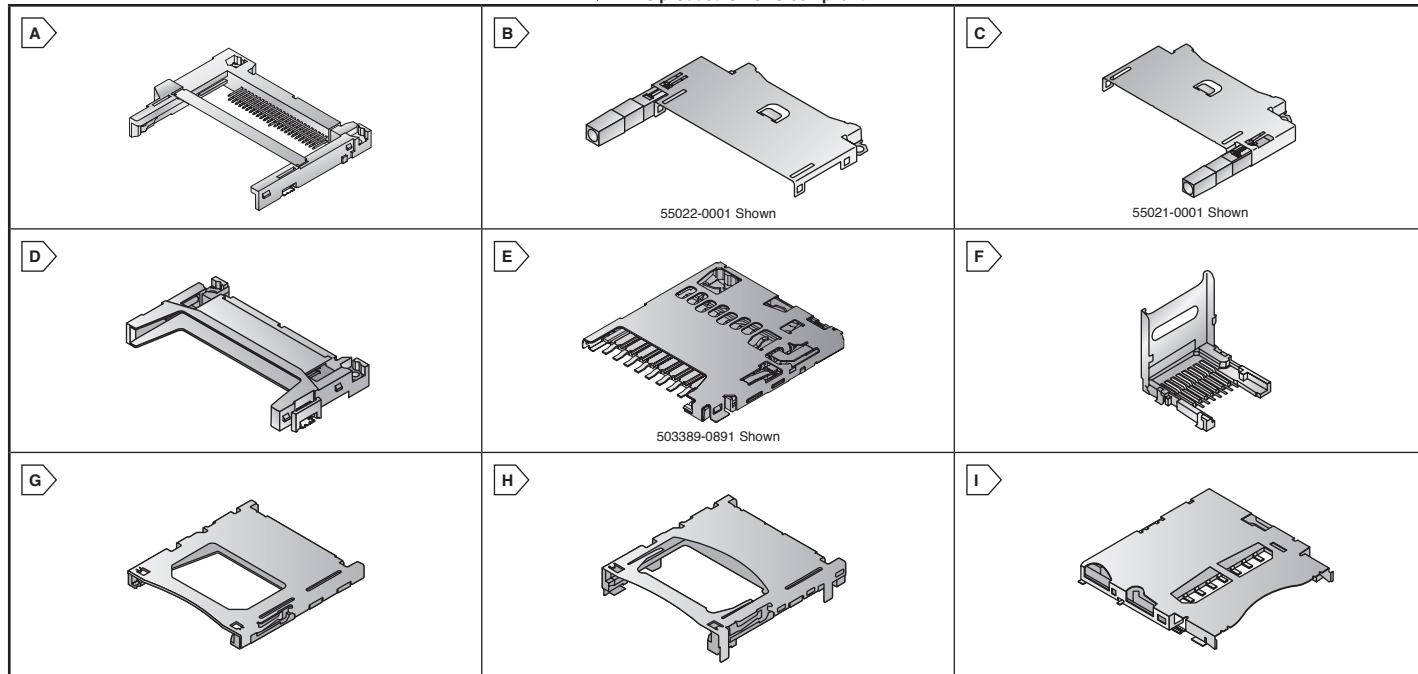
- Smaller dimensions (width and depth) reduce the occupied area on PCBs.
- The dual-end, 2-point push ejection mechanism provides smooth and reliable CF Card ejection by pressing two points on both sides.

For quantities greater than listed, call for quote.

MOUSER STOCK NO.	Hirose Part No.	Fig.	Description	Mounting Style	Termination Style	Price Each		
						1	25	100
798-MI2150PDSF71	MI21-50PD-SF(71)	G	No Offset	Standard	None	6,56	5,54	4,86
798-MI2150PDSFEJL71	MI21-50PD-SF-EJL(71)	G	No Offset	Standard	Left	6,58	5,57	4,68
798-MI2150PDSFEJR71	MI21-50PD-SF-EJR(71)	G	No Offset	Standard	Right	5,77	4,75	4,32
798-MI21A50PDSFEJR71	MI21A-50PD-SF-EJR(71)	G	2.2mm Offset	Standard	Right	6,72	5,68	4,97
798-MI21A50PDRSF71	MI21A-50PDR-SF(71)	G	2.2mm Offset	Reverse	None	6,17	5,10	4,26
798-MI21A50PDSF71	MI21A-50PD-SF(71)	G	2.2mm Offset	Standard	None	6,15	5,21	4,37
798-MI21A50PDSFEJL71	MI21A-50PD-SF-EJL(71)	G	2.2mm Offset	Standard	Left	7,40	6,26	5,47

MOLEX Memory Card Connectors

 **This product is RoHS compliant.**



COMPACTFLASH™ CARD CONNECTORS

- Features:**
- Dual-row 1.27mm pitch at card interface and .635mm pitch in-line SMT tails
 - High temperature housing suitable for reflow soldering
 - In-line SMT tails protect against damage during assembly

- Specifications:**
- Voltage: 100V
 - Current: 0.5A
 - Contact resistance: 40mΩ max
 - Insulation resistance: 1000MΩ min


RoHS Compliant

For quantities greater than listed, call for quote.

MOUSER STOCK NO.	Molex Part No.	Fig.	Description	Standoff (mm)	Mounting Type	Price Each			
						1	10	25	50
For Type I & II Cards									
538-55358-5029	55358-5029	A	Right Angle, SMT, 50 circuits	1.65	Top	11,11	10,36	9,98	9,25
538-55359-5078	55359-5078	A	Right Angle, SMT, 50 circuits	1.75	Bottom	8,66	8,23	7,81	7,42
538-55356-0011	55356-0011	B	Ejector - left side flip button	-	Top / Btm	6,37	6,15	5,84	5,30
538-55364-0011	55364-0011	B	Ejector - left side push-push button	-	Top	12,30	12,06	11,82	11,58
538-55365-0011	55365-0011	C	Ejector - right side push-push button	-	Top	19,33	18,87	17,71	16,10
For Type I Cards									
538-53856-5070	53856-5070	D	Right Angle, SMT, 50 circuits	1.64	Top	12,45	11,83	11,24	10,67
538-53927-5019	53927-5019	D	Right Angle, SMT, 50 circuits	1.64	Bottom	9,00	8,82	8,64	8,47
538-55021-0001	55021-0001	C	Ejector - right side button	-	Top / Btm	6,90	6,65	6,31	5,73
538-55022-0001	55022-0001	B	Ejector - left side button	-	Top / Btm	6,90	6,70	6,31	5,73

MICRO-SD™ MEMORY CARD CONNECTORS

- Features:**
- Ultra small size for space savings
 - Metal shielding with shell tabs
 - Hinge and push-push types
 - Solder tails on inside of design offer space savings

- Specifications:**
- Pitch: 1.10mm
 - Plating: gold over nickel
 - Current: 0.5A
 - Withstanding Voltage: 500V AC


RoHS Compliant

For quantities greater than listed, call for quote.

MOUSER STOCK NO.	Molex Part No.	Fig.	Description	Button Type	Mounting Type	Price Each			
						1	10	25	50
Card Headers with Ejectors									
538-503398-0891	503398-0891	E	Right Angle, SMT, 10V max, 1.28mm height	Push-Push	Standard	4,47	4,24	3,89	3,59
538-104031-0811	104031-0811	E	Right Angle, SMT 10V max, 1.42mm height	Push-Push	Standard	1,79	1,70	1,60	1,48
538-503182-0852	503182-0852	E	Right Angle, SMT, 10V max, 1.45mm height	Push-Push	Standard	3,92	3,64	3,23	3,00
538-500873-0806	500873-0806	E	Right Angle, SMT, 100V max	Push-Push	Standard	2,32	2,20	2,08	2,05
538-502702-0891	502702-0891	E	Right Angle, SMT, 10V max, 1.53mm height	Push-Push	Standard	3,11	2,96	2,81	2,67
538-502570-0893	502570-0893	E	Right Angle, SMT, 10V max, 1.80mm height	Push-Push	Standard	2,98	2,83	2,69	2,55
538-502774-0891	502774-0891	E	Right Angle, SMT, 10V max	Push-Push	Reverse	3,11	2,96	2,81	2,67
538-500901-0801	500901-0801	F	Right Angle, SMT, 10V max	Hinge	Standard	2,51	2,35	2,23	2,05

SD MEMORY CARD CONNECTORS

- Features:**
- Compact size
 - Push-Push ejectors
 - Protect and detect terminals

- Specifications:**
- Pitch: 2.50mm
 - Current: 0.5A
 - Contact Plating: Gold


RoHS Compliant

For quantities greater than listed, call for quote.

MOUSER STOCK NO.	Molex Part No.	Fig.	Description	Button Type	Mounting Type	Price Each			
						1	10	25	50
538-500998-0900	500998-0900	G	Right Angle, SMT, 100V max	Push-Push	Standard	5,22	-	-	-
538-67600-8001	67600-8001	G	Right Angle, SMT, 250V max, w/ PCB locator	Push-Push	Standard	6,45	5,86	5,56	5,27
538-67600-8002	67600-8002	G	Right Angle, SMT, 250V max, w/o PCB locator	Push-Push	Standard	7,61	5,98	4,78	4,11
538-67840-8001	67840-8001	H	Right Angle, SMT, 100V max, 1.80mm standoff	Push-Push	Standard	5,50	-	-	-
538-67913-0002	67913-0002	I	Right Angle, SMT, 100V max, 2.75mm height	Push-Push	Reverse	5,45	4,70	3,77	3,65
538-503500-0991	503500-0991	I	Right Angle, SMT, 50V max, 2.95mm height	Push-Push	Standard	4,76	4,53	4,16	3,82

TE PC/104 and PC/104-Plus Connectors

PC/104, PRESS-FIT

Specifications:

- Housing: High temperature, glass filled nylon, black
- Screwlocks: Steel, clear chromate over zinc
- Contacts: Phosphor Bronze, 0.000381 (0.000015) min. gold on mating receptacle end, 0.000130 (0.000005) min. gold on remainder, all over 0.001270 (0.00005) nickel (stack-through), 0.000381 (0.000015) min. gold on mating receptacle end, 0.00254 (0.0001) bright tin-lead on remainder, all over 0.001270 (0.00005) nickel (non-stackthrough).

Features:

- Press-Fit design
- Flat-Rock insertable
- Unutilized PC/104 connector assembly
- Integral board spacers with captive hardware
- Fully compliant for PC/104 & PC/104-Plus standards
- Compact form-factor 3.6 inches

Benefits:

- Eliminates hand soldering
- Eliminates two piece (60 & 40 pin) configuration
- Eases and improves assembly efficiency while minimizing stocked hardware

- Unique self-stacking bus

For quantities greater than listed, call for quote.

MOUSER STOCK NO	TE Part No.	Fig.	Type	Price Each		
				1	25	50
Stackthrough - No Standoffs						
571-1375795-1	1375795-1	A	Keyed	13,84	13,14	12,49
571-1375795-2	1375795-2	A	Unkeyed	18,05	17,55	17,10
Stackthrough - Two Standoffs						
571-1375793-1	1375793-1	B	Keyed	16,51	15,68	14,90
571-1375793-2	1375793-2	B	Unkeyed	17,01	16,15	15,35
Stackthrough - Four Standoffs						
571-1375791-1	1375791-1	C	Keyed	21,02	19,50	18,42
571-1375791-2	1375791-2	C	Unkeyed	21,25	19,71	18,62
Non-Stackthrough - Two Standoffs						
571-1375794-1	1375794-1	D	Keyed	18,28	16,45	15,55
571-1375794-2	1375794-2	D	Unkeyed	16,77	15,10	14,26

PC/104, SOLDER

Specifications:

- Housing: High temperature, glass filled nylon, black
- Contacts: Phosphor Bronze, 0.000381 (0.000015) min. gold on mating receptacle end, 0.000130 (0.000005) min. gold on remainder, all over 0.001270 (0.00005) nickel (stack-through), 0.000381 (0.000015) min. gold on mating receptacle end, 0.00254 (0.0001) bright tin-lead on remainder, all over 0.001270 (0.00005) nickel (non-stackthrough).
- Screwlocks: Steel, clear chromate over zinc.

For quantities greater than listed, call for quote.

MOUSER STOCK NO	TE Part No.	Fig.	Type	Price Each		
				1	25	50
Non-Stackthrough - No Standoffs						
571-1375963-1	1375963-1	E	Keyed	20,92	19,57	17,38
Non-Stackthrough - Two Standoffs						
571-1375961-2	1375961-2	F	Unkeyed	24,95	23,34	20,72

PC/104-PLUS, PRESS-FIT

Specifications:

- Housing: High temperature, glass filled nylon, black
- Contacts: Phosphor Bronze, 0.000381 (0.000015) min. gold on mating receptacle end, 0.000130 (0.000005) min. gold on remainder, all over 0.001270 (0.00005) nickel (stack-through), 0.000381 (0.000015) min. gold on mating receptacle end, 0.00254 (0.0001) bright tin-lead on remainder, all over 0.001270 (0.00005) nickel (non-stackthrough).
- Screwlocks: Steel, clear chromate over zinc

Features:

- Use of high speed PCI bus in embedded applications
- Press-Fit design
- Integral board spacers with captive hardware

Benefits:

- Fast data transfer over a PCI bus
- Low cost due to PC/104's unique self-stacking bus
- High reliability due to PC/104's inherent ruggedness
- Eliminates hand soldering
- Eases and improves assembly efficiency while minimizing stocked hardware

For quantities greater than listed, call for quote.

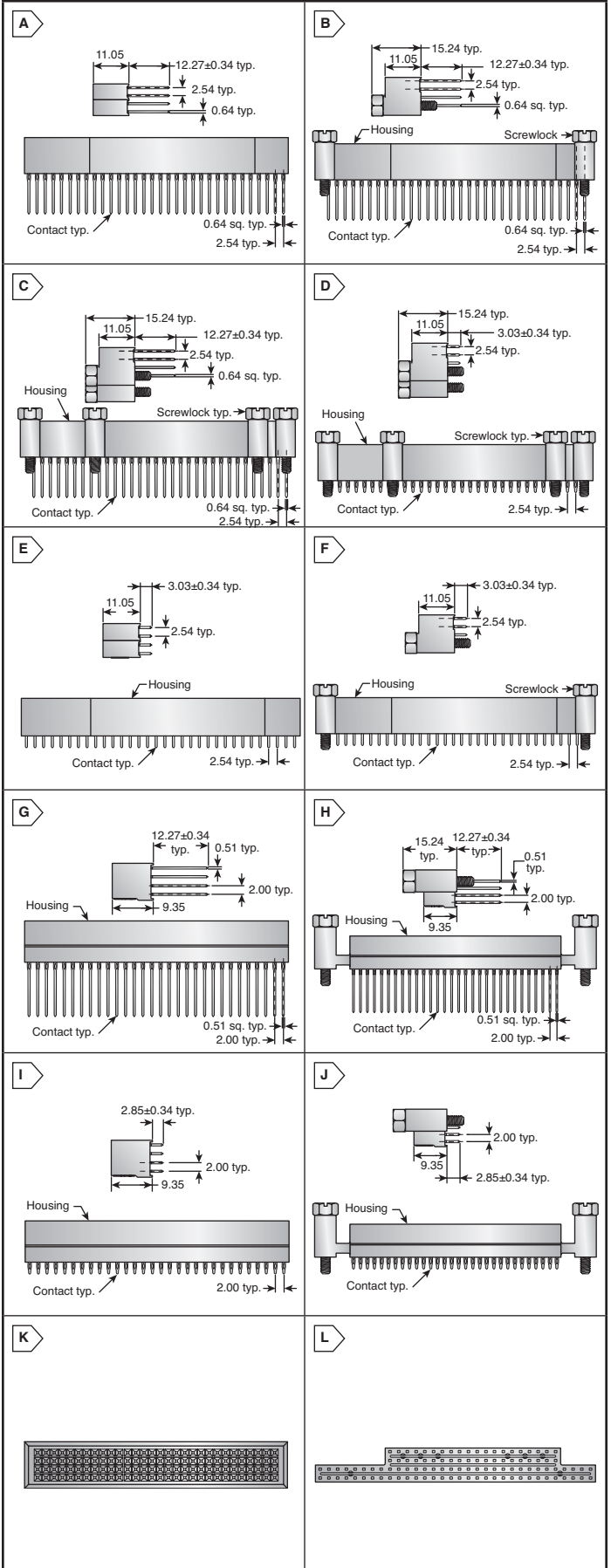
MOUSER STOCK NO	TE Part No.	Fig.	Type	Price Each		
				1	25	50
Stackthrough - No Standoffs						
571-1375799-1	1375799-1	G	Unkeyed	26,03	25,29	24,60
571-1375799-2	1375799-2	G	Keyed (A1)	13,56	12,19	11,52
571-1375799-3	1375799-3	G	Keyed (D30)	14,27	12,83	12,11
Stackthrough - Two Standoffs						
571-1375797-1	1375797-1	H	Unkeyed	16,40	15,58	14,80
Non-Stackthrough - No Standoffs						
571-1375800-1	1375800-1	I	Unkeyed	13,60	12,24	11,56
Non-Stackthrough - Two Standoffs						
571-1375798-1	1375798-1	J	Unkeyed	17,04	15,36	14,50

ACCESSORIES

For quantities greater than listed, call for quote.

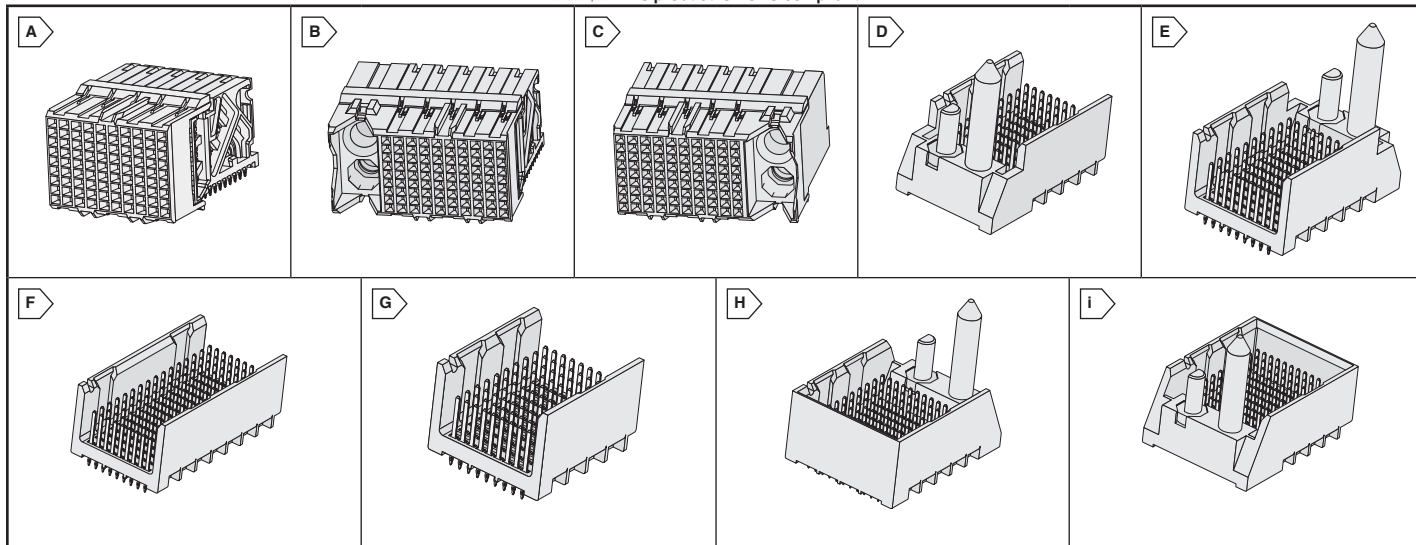
MOUSER STOCK NO	TE Part No.	Fig.	Type	Price Each			
				1	25	50	100
571-1375801-1	1375801-1	K	Shroud, PC/104-Plus	1,55	1,37	1,21	1,19
571-1445251-1	1445251-1	L	Organizer, PC/104	2,02	1,89	1,79	1,70

DIMENSIONS: mm



TE Backplane Connectors

RoHS Compliant This product is RoHS compliant.



IMPACT™ HIGH DENSITY BACKPLANE CONNECTORS

TE Connectivity's new Impact™ backplane connector system is designed for increased speed and density to meet the future system upgrades and next generation requirements of data networking and telecommunications equipment. The Impact backplane system also offers our customers a value added approach of speed, density, cost and long term reliability.

The Impact connector design system contains a unique broad-edge coupled design which utilizes low impedance, localized ground return path in an optimized differential pair array. Additionally, differential pairs are tightly coupled and surrounded by ground structures to isolate the pairs, which in turn reduces crosstalk and increases overall bandwidth performance with minimal performance variance.

Features:

- 25 Gb/s performance
- 100 Ohm Impedance
- PCB footprint available in two options for both backplane and daughtercard connectors:
Option 1: .018" PTH, 1.30mm length
Option 2: .0145" PTH, 1.15mm length
- Robust daughtercard connector design to withstand connector insertion forces into PCB
- Built in guidance available for improved mating alignment and to maximize available PCB real estate

Applications:

- Telecommunications equipment
- Hubs, routers, switches
- Central office, cellular infrastructure and multi-platform service (DSL, Cable Data) systems
- Data networking equipment
- Servers
- Storage
- Test and measurement equipment
- Medical diagnostic equipment

Receptacles

For quantities greater than listed, call for quote.

MOUSER STOCK NO.	TE Part No.	Fig.	Pairs/Columns	Guide	Keyed	Price Each			
						1	25	50	100
571-2007705-1	2007705-1	A	3 Pair - 10 Column	Unguided	No	13,63	12,28	11,15	10,22
571-2007703-1	2007703-1	B	3 Pair - 10 Column	GL - Left Guide	No	21,39	19,24	17,10	15,31
571-2007704-1	2007704-1	C	3 Pair - 10 Column	GR - Right Guide	No	21,39	19,24	17,10	15,31
571-2007711-1	2007711-1	A	3 Pair - 16 Column	Unguided	No	21,79	19,62	17,82	16,34
571-2007709-1	2007709-1	B	3 Pair - 16 Column	GL - Left Guide	No	33,87	30,47	27,08	24,23
571-2007710-1	2007710-1	C	3 Pair - 16 Column	GR - Right Guide	No	33,87	30,47	27,08	24,23
571-2007717-1	2007717-1	A	4 Pair - 10 Column	Unguided	No	18,17	16,36	14,86	13,62
571-2007715-1	2007715-1	B	4 Pair - 10 Column	GL - Left Guide	No	20,06	18,06	16,41	15,05
571-2007716-1	2007716-1	C	4 Pair - 10 Column	GR - Right Guide	No	20,06	18,06	16,41	15,05
571-2007723-1	2007723-1	A	4 Pair - 16 Column	Unguided	No	29,05	26,16	23,77	21,79
571-2007721-1	2007721-1	B	4 Pair - 16 Column	GL - Left Guide	No	33,43	30,10	27,35	25,08
571-2007722-1	2007722-1	C	4 Pair - 16 Column	GR - Right Guide	No	33,43	30,10	27,35	25,08

Headers - Open Ended

For quantities greater than listed, call for quote.

MOUSER STOCK NO.	TE Part No.	Fig.	Pairs/Columns	Guide	Keyed	Price Each			
						1	25	50	100
571-2007777-3	2007777-3	D	3 Pair - 10 Column	GL - Left Guide	No	10,02	9,02	8,20	7,51
571-2007781-3	2007781-3	E	3 Pair - 10 Column	GR - Right Guide	No	10,02	9,02	8,20	7,51
571-2007804-3	2007804-3	F	3 Pair - 16 Column	Unguided	No	13,93	12,54	11,40	10,45
571-2007793-3	2007793-3	D	3 Pair - 16 Column	GL - Left Guide	No	16,02	14,42	13,10	12,01
571-2007797-3	2007797-3	E	3 Pair - 16 Column	GR - Right Guide	No	16,02	14,42	13,10	12,01
571-2007816-3	2007816-3	F	4 Pair - 10 Column	Unguided	No	11,55	10,40	9,45	8,66
571-2007832-3	2007832-3	F	4 Pair - 16 Column	Unguided	No	18,62	16,76	15,23	13,96
571-2007824-3	2007824-3	D	4 Pair - 16 Column	GL - Left Guide	No	21,40	19,26	17,50	16,05
571-2007828-3	2007828-3	E	4 Pair - 16 Column	GR - Right Guide	No	21,40	19,26	17,50	16,05

Headers - Left End Wall

For quantities greater than listed, call for quote.

MOUSER STOCK NO.	TE Part No.	Fig.	Pairs/Columns	Guide	Keyed	Price Each			
						1	25	50	100
571-2007788-3	2007788-3	G	3 Pair - 10 Column	Unguided	No	8,71	7,84	7,12	6,53
571-2007815-3	2007815-3	H	4 Pair - 10 Column	GR - Right Guide	No	13,93	12,54	11,40	10,45

Headers - Right End Wall

For quantities greater than listed, call for quote.

MOUSER STOCK NO.	TE Part No.	Fig.	Pairs/Columns	Guide	Keyed	Price Each			
						1	25	50	100
571-2007811-3	2007811-3	I	4 Pair - 10 Column	GL - Left Guide	No	13,93	12,54	11,40	10,45

TE Z-Pack Connectors



This product is RoHS compliant.



Z-PACK 2MM FB (FUTUREBUS+) CONNECTORS

- High density connections: 4 row, 2mm x 2mm circuit grid
- Compatible to IEC67076-4-0X(48B) and EIA SP3179
- Current Rating: Signal Contacts: 1A, Power Contacts: 4.6A
- Bellcore approved

For quantities greater than listed, call for quote.

MOUSER STOCK NO	TE Part No.	Fig.	No. of Pos.	Lead Type	Lead Length (mm)	Dim. A (mm)	Price Each			
							1	25	50	100
Signal Module, Vertical Pin										
571-5536501-1	5536501-1	A	24	Solder	4.25	11.88	1,93	1,85	1,80	1,76
571-5536501-2	5536501-2	A	48	Solder	4.25	23.88	3,69	3,55	3,44	3,37
571-5536501-3	5536501-3	A	96	Solder	4.25	47.88	6,01	5,55	5,41	5,37
571-5536501-4	5536501-4	A	192	Solder	4.25	95.88	10,32	9,35	9,04	8,35
571-5536504-1	5536504-1	A	24	Press-Fit	4.25	11.88	3,28	2,81	2,61	2,50
571-5536504-2	5536504-2	A	48	Press-Fit	4.25	23.88	3,01	2,88	2,77	2,77
571-5536504-3	5536504-3	A	96	Press-Fit	4.25	47.88	16,89	13,27	12,49	12,08
571-5536504-4	5536504-4	A	192	Press-Fit	4.25	95.88	9,12	8,53	8,46	7,65
Signal Module, Right Angle Receptacle										
571-5536507-1	5536507-1	B	24	Solder	2.73	11.88	3,23	2,93	2,54	2,39
571-5536507-2	5536507-2	B	48	Solder	2.73	23.88	4,85	4,73	4,35	4,11
571-5536507-3	5536507-3	B	96	Solder	2.73	47.88	7,02	6,86	6,31	6,17
571-5536507-6	5536507-6	B	120	Solder	2.73	59.88	13,17	11,92	11,14	8,44
571-5536507-4	5536507-4	B	192	Solder	2.73	95.88	10,60	10,03	9,86	8,41
571-5536510-3	5536510-3	B	96	Solder	3.53	47.88	10,19	9,22	8,33	6,53
571-5536510-4	5536510-4	B	192	Solder	3.53	95.88	14,71	13,73	12,50	10,25
Power Module, Vertical Pin										
571-5536600-1	5536600-1	C	8	Solder	4.25	11.83	2,84	2,80	2,75	2,64
571-5536603-1	5536603-1	C	8	Press-Fit	4.25	11.83	2,80	2,22	2,09	1,98
Power Module, Right Angle Receptacle										
571-5536607-1	5536607-1	D	8	Solder	2.73	11.88	4,29	4,19	4,09	3,92
571-5536614-1	5536614-1	D	8	Press-Fit	3.56	11.88	7,29	5,92	5,32	4,66

Z-PACK 2MM HM CONNECTORS FOR COMPACT PCI

- High density system with small real estate on backplane and daughter card
- In accordance with IEC 917 and IEC 61076-4-101
- Universal Power Module rated at 7.8A/line, 23.4A fully energized
- Signal Contact Rating: 1.5A fully energized
- 5 + 2 Row Configuration

For quantities greater than listed, call for quote.

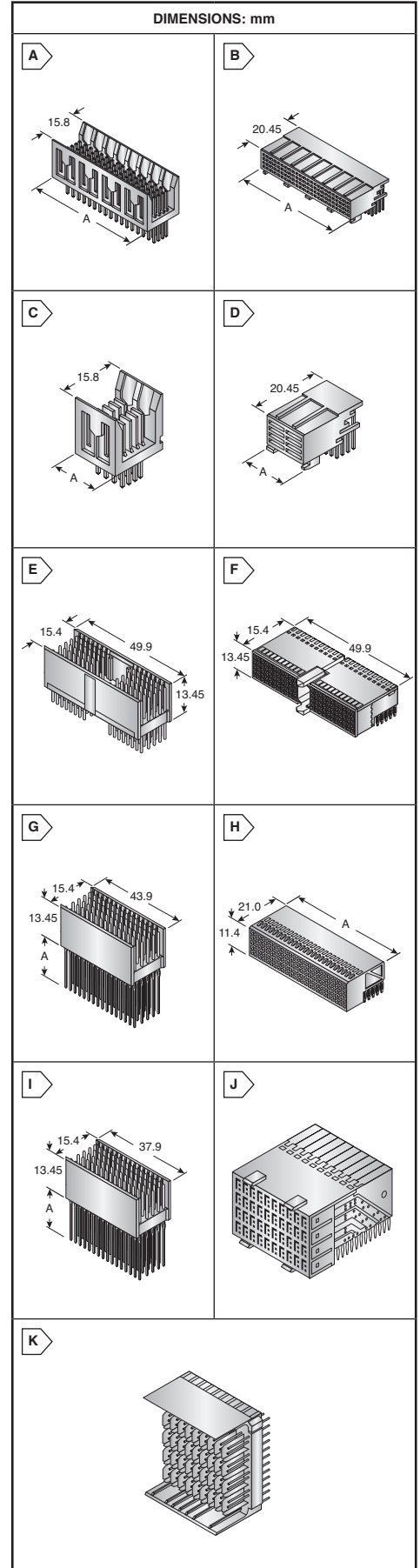
MOUSER STOCK NO	TE Part No.	Fig.	Description	Dim. A (mm)	Price Each			
					1	25	50	100
571-5188834-1	5188834-1	E	110P Type A Vertical Male; Feed-To	-	6,40	5,76	5,60	5,59
571-1061372	106137-2	-	Shroud for 110P Type A Male	-	0,91	0,83	0,753	0,711
571-51005256	5-100525-6	-	3.3V Key for 110P Type A Male	-	0,94	0,93	0,91	0,894
571-31005252	3-100525-2	-	5V Key for 110P Type A Male	-	0,67	0,65	0,641	0,631
571-5352068-1	5352068-1	F	110P Type A Right Angle Female	-	10,02	9,86	9,46	7,26
571-51005266	5-100526-6	-	3.3V Key for 110P Type A Female	-	0,81	0,79	0,77	0,767
571-31005262	3-100526-2	-	5V Key for 110P Type A Female	-	0,59	0,57	0,55	0,539
571-5188835-1	5188835-1	G	110P Type B Vertical Male; Feed-To	3.7	6,06	5,91	5,85	5,63
571-5352128-1	5352128-1	G	110P Type B Vertical Male; Feed-Thru	14.5/16.0	11,93	10,73	9,53	8,54
571-5352152-1	5352152-1	H	125P Type B Right Angle Female; 22 Col.	49.9	9,32	8,02	7,58	6,48
571-5352171-1	5352171-1	H	125P Type B Right Angle Female; 19 Col.	37.9	10,19	9,28	8,92	8,69
571-5352033-1	5352033-1	I	95P Type B Vertical Male; Feed-To	3.7	5,82	5,38	5,31	5,09
571-5352127-1	5352127-1	I	95P Type B Vertical Male; Feed-Thru	14.5/16.0	12,41	11,17	9,92	8,89

Z-PACK HM-ZD

- Designed for high speed differential applications
- Modular connector system with a standard module size of 25mm
- 4 signal contact pairs per column compatible with 8 row HM
- Contact pitch is 1.55mm within a pair; 3.0mm pair to pair
- Column to column pitch is 2.5mm
- Card pitch is 1.0" for 40 pair headers

For quantities greater than listed, call for quote.

MOUSER STOCK NO	TE Part No.	Fig.	Description	Price Each			
				1	5	10	25
571-6469001-1	6469001-1	J	Receptacle Assembly, 40 pair	19,18	17,84	17,64	17,30
571-6469002-1	6469002-1	K	Header Assembly, 40 pair	15,69	14,35	13,90	13,88



TE Connectivity Backplane/Card Edge

TE Z-Pack Connectors

RoHS Compliant This product is RoHS compliant.

The AMP Z-PACK 2mm HM Interconnection System offers unparalleled, space-saving flexibility for the circuit design of free and fixed/backplane boards, in front side and midplane arrangements, with accompanying cable connectors and lead assemblies. This family of AMP connectors is designed in compliance with IEC 917 (DIN 43355) and IEC 1076-4-101. It also meets the requirements of CPCI and VME 64 PO/JO applications and is qualified by Bellcore as defined by TR-NWT-001217.

Z-PACK 2MM HARD METRIC

Materials and Finish:

- Glass filled polyester housing, grey, UL94V-0 rated
- Contact area: 0.8µm (.000030) Au over 1.3µm (.000050) Ni
- Phosphor-bronze signal contacts

Vertical Male Connectors, 5 Row - Short Tail

For quantities greater than listed, call for quote.

MOUSER STOCK NO.	TE Part No.	Fig.	Description	Price Each			
				1	25	50	100
571-5100143-1	5100143-1	A	Type A w/ locating peg, 5 Row	5,59	5,49	5,40	5,21
571-5100668-1	5100668-1	A	Type A w/ locating peg, 5+2 Row	6,73	6,30	5,76	5,12
571-5100141-1	5100141-1	B	Type B, 25 Column, 5 Row	6,62	6,38	6,28	6,16
571-5100669-1	5100669-1	B	Type B, 25 Column, 5+2 Row	6,92	6,89	5,28	4,88
571-5100159-1	5100159-1	C	Type C, 5 Row	3,13	2,93	2,77	2,67
571-5106081-1	5106081-1	C	Type C, 5+2 Row	6,68	6,61	6,51	5,99

Right Angle Female Connectors, 5 Row

For quantities greater than listed, call for quote.

Standard				Price Each			
MOUSER STOCK NO.	TE Part No.	Fig.	Description	1	25	50	100
571-5100147-1	5100147-1	D	Type A	8,30	7,55	7,23	6,72
571-5100145-1	5100145-1	E	Type B	9,89	8,35	8,08	7,52
571-5100161-1	5100161-1	F	Type C	4,47	4,27	4,04	3,83

Shielded				Price Each			
MOUSER STOCK NO.	TE Part No.	Fig.	Description	1	25	50	100
571-5352068-1	5352068-1	D	Type A	10,02	9,86	9,46	7,26
571-5352069-1	5352069-1	E	Type B	10,33	8,04	7,57	6,37
571-5352171-1	5352171-1	E	Type B, 19 Column	10,19	9,28	8,92	8,69
571-5352152-1	5352152-1	E	Type B, 22 Column	9,32	8,02	7,58	6,48
571-5352115-1	5352115-1	F	Type C	11,04	10,49	9,96	9,46

Right Angle Female Connectors, 5 Row

For quantities greater than listed, call for quote.

Shielded				Price Each			
MOUSER STOCK NO.	TE Part No.	Fig.	Description	1	25	50	100
571-5646547-1	5646547-1	G	Type A/B, 25 Column	13,45	12,17	10,30	8,67
571-5646489-1	5646489-1	G	Type A/B, 22 Column	10,49	9,38	8,20	7,51
571-5646488-1	5646488-1	G	Type A/B, 19 Column	13,37	12,70	12,07	11,46

Right Angle Male Connectors, 5 Row

For quantities greater than listed, call for quote.

Standard				Price Each			
MOUSER STOCK NO.	TE Part No.	Fig.	Description	1	25	50	100
571-5106015-1	5106015-1	H	Type A	20,91	19,86	18,87	17,93
571-5106014-1	5106014-1	H	Type B	28,95	26,23	22,35	18,69
571-5352131-1	5352131-1	H	Type B, 22 Column	20,26	18,22	15,65	12,98
571-5352406-1	5352406-1	H	Type B, 19 Column	20,30	18,49	16,71	14,62
571-5106012-1	5106012-1	H	Type C	16,43	14,88	13,10	10,52

Vertical Female Connectors, 5 Row

For quantities greater than listed, call for quote.

MOUSER STOCK NO.	TE Part No.	Fig.	Description	1	25	50	100
571-5106773-1	5106773-1	I	Type A w/o locating peg	24,67	15,53	13,28	11,00
571-5106774-1	5106774-1	I	Type B	24,78	22,44	19,83	15,89
571-5106775-1	5106775-1	I	Type C	12,33	11,22	10,31	8,37

CODING KEYS

Material:

- Glass filled Polyimide 6.6

For quantities greater than listed, call for quote.

MOUSER STOCK NO.	TE Part No.	Fig.	Description	Price Each			
				1	25	50	100
For Male Connectors							
571-100525-3	100525-3	J	Nut Brown	0,99	0,89	0,80	0,676
571-1005259	100525-9	J	Strawberry Red	1,24	1,12	1,00	0,796
For Female Connectors							
571-1005269	100526-9	K	Strawberry Red	0,66	0,59	0,532	0,421

COMPACT PCI CONNECTORS

RJ3 Type:

- 95 signal contacts
- Length: 37.9mm (1.492")
- Rear transition card applications

RJ5 Type:

- 110 signal contacts
- Length: 43.9mm (1.728")
- Rear transition card applications

P1 Type:

- 110 signal contacts
- Length: 49.9mm (1.964")
- Backplane applications

For quantities greater than listed, call for quote.

MOUSER STOCK NO.	TE Part No.	Fig.	Description	Price Each			
				1	25	50	100
571-5646488-1	5646488-1	G	RJ3 Type AB Right Angle Female w/ Shield	13,37	12,70	12,07	11,46
571-5646489-1	5646489-1	G	RJ5 Type AB Right Angle Female w/ Shield	10,49	9,38	8,20	7,51
571-5352332-1	5352332-1	L	P1 Type A Vertical Males Feed-To (Hot Swap)	6,28	5,89	5,49	5,43

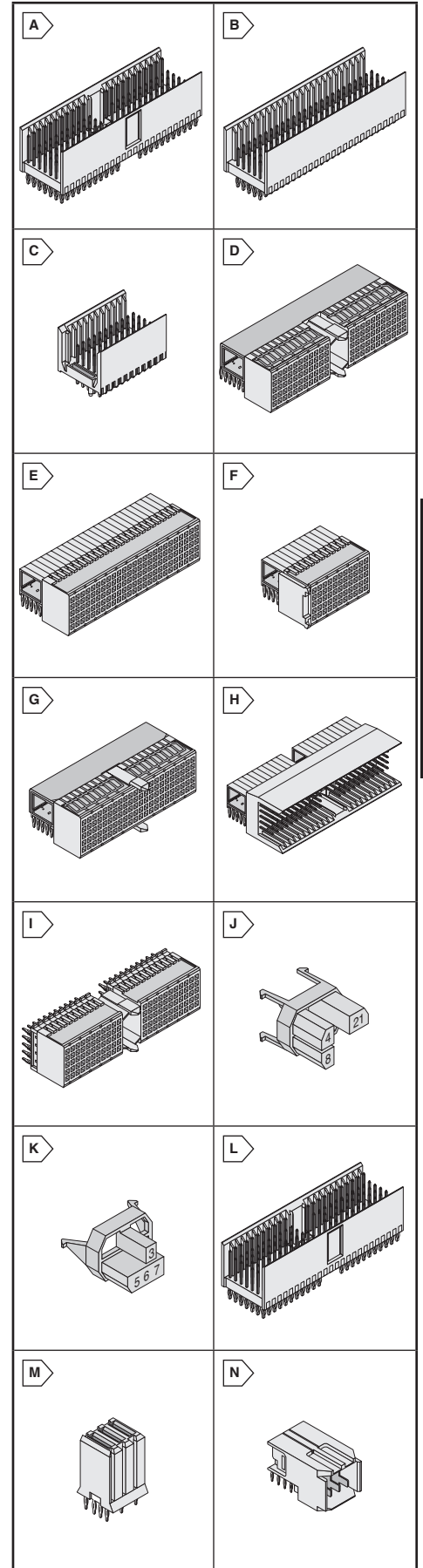
UNIVERSAL POWER MODULE

Specifications:

- Housing: Volox, natural color
- UL94V-0 Rated

For quantities greater than listed, call for quote.

MOUSER STOCK NO.	TE Part No.	Fig.	Description	Price Each			
				1	25	50	100
571-5223955-2	5223955-2	M	Vertical Receptacle, ABC Position Loaded	5,96	5,40	4,23	3,90
571-5223961-1	5223961-1	N	Right Angle Header, R-Pegs	5,08	4,92	4,82	4,43



Backplane/Card Edge TE Connectivity

EDAC Card Edge Connectors



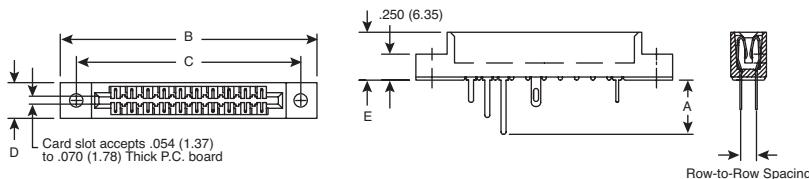
DIMENSIONS: in. (mm)

CARD EDGE CONNECTORS

Solder Tail

Specifications:

- Insulator Material: Thermoplastic Polyester, UL94V-0
- Contact Material: Copper, Nickel, Tin Alloy CA-725
- Contact Plating: Gold on mating area, tin on contact tails, nickel underplate
- Colors: Series 305, 306, 341, and 346 are green. Series 357 and 395 are black
- Insulation Resistance: 5000MΩ @ 500 VDC
- Dielectric Withstanding Voltage: 1500 VAC RMS @ sea level
- Current Rating: 3A
- Contact Resistance: 6mΩ max.



For quantities greater than listed, call for quote.

MOUSER STOCK NO.	EDAC Part No.	Fig.	Spacing in. (mm)		Dimensions in. (mm)					Price Each			
			Row-to-Row	Contact Centers	A	B	C	D	E	1	25	50	100
587-306-52-010	306-010-520-102	10	-	.156 (3.96)	.213 (5.41)	2.466 (62.64)	2.156 (54.76)	.343 (8.71)	.460 (11.68)	5,14	4,67	4,36	4,08
587-341-012	341-012-520-202	12	.140 (3.56)	.100 (2.54)	.125 (3.18)	1.475 (37.47)	1.175 (29.85)	.330 (8.38)	.437 (11.10)	6,51	5,86	5,21	4,69
* 587-305-52-012	305-012-520-202	12	.140 (3.56)	.156 (3.96)	.213 (5.41)	1.842 (46.79)	1.532 (38.91)	.343 (8.71)	.460 (11.68)	2,75	2,44	2,34	2,29
587-306-52-015	306-015-520-102	15	-	.156 (3.96)	.213 (5.41)	3.246 (82.45)	2.936 (74.57)	.343 (8.71)	.460 (11.68)	4,66	4,52	4,31	4,13
587-306-52-018	306-018-520-102	18	-	.156 (3.96)	.213 (5.41)	3.714 (94.34)	3.404 (86.46)	.343 (8.71)	.460 (11.68)	5,14	5,02	4,89	4,76
* 587-341-020	341-020-520-202	20	.140 (3.56)	.100 (2.54)	.125 (3.18)	1.875 (47.63)	1.575 (40.01)	.330 (8.38)	.437 (11.10)	3,80	3,59	3,42	3,28
* 587-395-020	395-020-520-202	20	.200 (5.08)	.100 (2.54)	.175 (4.45)	1.835 (46.61)	1.575 (40.01)	.370 (9.40)	.600 (15.24)	2,09	1,64	1,51	1,40
587-357-020	357-020-520-202	20	.200 (5.08)	.156 (3.96)	.213 (5.41)	2.466 (62.64)	2.156 (54.76)	.343 (8.71)	.460 (11.68)	1,91	1,88	1,84	1,82
587-306-52-022	306-022-520-102	22	-	.156 (3.96)	.213 (5.41)	4.338 (110.19)	4.028 (102.31)	.343 (8.71)	.460 (11.68)	9,12	8,29	7,73	7,24
587-305-52-024	305-024-520-202	24	.140 (3.56)	.156 (3.96)	.213 (5.41)	2.778 (70.56)	2.468 (62.69)	.343 (8.71)	.460 (11.68)	4,42	4,01	3,74	3,50
* 587-357-024	357-024-520-202	24	.200 (5.08)	.156 (3.96)	.213 (5.41)	2.778 (70.56)	2.468 (62.69)	.343 (8.71)	.460 (11.68)	6,24	4,93	4,53	4,18
587-395-026	395-026-520-202	26	.200 (5.08)	.100 (2.54)	.175 (4.45)	2.135 (54.23)	1.875 (47.63)	.370 (9.40)	.600 (15.24)	2,80	2,79	2,78	2,76
587-341-030	341-030-520-202	30	.140 (3.56)	.100 (2.54)	.125 (3.18)	2.375 (60.33)	2.075 (52.71)	.330 (8.38)	.437 (11.10)	6,24	5,67	5,28	4,94
587-395-030	395-030-520-202	30	.200 (5.08)	.100 (2.54)	.175 (4.45)	2.335 (59.31)	2.075 (52.71)	.370 (9.40)	.600 (15.24)	2,98	2,96	2,94	2,93
587-305-52-030	305-030-520-202	30	.140 (3.56)	.156 (3.96)	.213 (5.41)	3.246 (82.45)	2.936 (74.57)	.343 (8.71)	.460 (11.68)	4,73	4,28	4,00	3,75
587-357-030	357-030-520-202	30	.200 (5.08)	.156 (3.96)	.213 (5.41)	3.246 (82.45)	2.936 (74.57)	.343 (8.71)	.460 (11.68)	3,35	3,28	3,21	3,14
587-395-036	395-036-520-202	36	.200 (5.08)	.100 (2.54)	.175 (4.45)	2.635 (66.93)	2.375 (60.33)	.370 (9.40)	.600 (15.24)	3,14	3,10	3,07	3,05
587-305-52-036	305-036-520-202	36	.140 (3.56)	.156 (3.96)	.213 (5.41)	3.714 (94.34)	3.404 (86.46)	.343 (8.71)	.460 (11.68)	4,67	4,14	3,31	3,09
587-357-036	357-036-520-202	36	.200 (5.08)	.156 (3.96)	.213 (5.41)	3.714 (94.34)	3.404 (86.46)	.343 (8.71)	.460 (11.68)	2,97	2,92	2,85	2,79
587-341-040	341-040-520-202	40	.140 (3.56)	.100 (2.54)	.125 (3.18)	2.875 (73.03)	2.575 (65.41)	.330 (8.38)	.437 (11.10)	6,89	6,27	5,84	5,46
587-395-040	395-040-520-202	40	.200 (5.08)	.100 (2.54)	.175 (4.45)	2.835 (72.01)	2.575 (65.41)	.370 (9.40)	.600 (15.24)	3,31	3,27	3,22	3,19
587-395-044	395-044-520-202	44	.200 (5.08)	.100 (2.54)	.175 (4.45)	3.035 (77.09)	2.775 (70.49)	.370 (9.40)	.600 (15.24)	3,48	3,45	3,41	3,39
587-346-044	346-044-520-202	44	.250 (6.35)	.125 (3.18)	.175 (4.45)	3.560 (90.42)	3.295 (83.69)	.370 (9.40)	.600 (15.24)	5,30	4,82	4,49	4,21
587-305-52-044	305-044-520-202	44	.140 (3.56)	.156 (3.96)	.213 (5.41)	4.338 (110.19)	4.028 (102.31)	.343 (8.71)	.460 (11.68)	5,27	4,68	4,39	3,74
587-357-044	357-044-520-202	44	.200 (5.08)	.156 (3.96)	.213 (5.41)	4.338 (110.19)	4.028 (102.31)	.343 (8.71)	.460 (11.68)	3,28	3,21	3,14	3,02
587-341-050	341-050-520-202	50	.140 (3.56)	.100 (2.54)	.125 (3.18)	3.375 (85.73)	3.075 (78.11)	.330 (8.38)	.437 (11.10)	5,03	4,94	4,84	4,76
587-395-050	395-050-520-202	50	.200 (5.08)	.100 (2.54)	.175 (4.45)	3.335 (84.71)	3.075 (78.11)	.370 (9.40)	.600 (15.24)	3,97	3,89	3,72	3,60
587-395-056	395-056-520-202	56	.200 (5.08)	.100 (2.54)	.175 (4.45)	3.635 (92.33)	3.375 (85.73)	.370 (9.40)	.600 (15.24)	6,21	5,65	5,27	4,93
587-346-056	346-056-520-202	56	.250 (6.35)	.125 (3.18)	.175 (4.45)	4.310 (109.47)	4.045 (102.74)	.370 (9.40)	.600 (15.24)	4,28	4,10	3,80	3,65
587-395-060	395-060-520-202	60	.200 (5.08)	.100 (2.54)	.175 (4.45)	3.835 (97.41)	3.575 (90.81)	.370 (9.40)	.600 (15.24)	4,28	4,19	4,08	3,93
587-395-062	395-062-520-202	62	.200 (5.08)	.100 (2.54)	.175 (4.45)	3.935 (99.95)	3.675 (93.35)	.370 (9.40)	.600 (15.24)	6,76	6,15	5,72	5,35
587-346-072	346-072-520-202	72	.250 (6.35)	.125 (3.18)	.175 (4.45)	5.310 (134.87)	5.045 (128.14)	.370 (9.40)	.600 (15.24)	5,07	4,50	4,29	4,08
587-346-100	346-100-520-202	100	.250 (6.35)	.125 (3.18)	.175 (4.45)	7.060 (170.32)	6.795 (172.59)	.370 (9.40)	.600 (15.24)	7,34	7,08	6,51	5,95

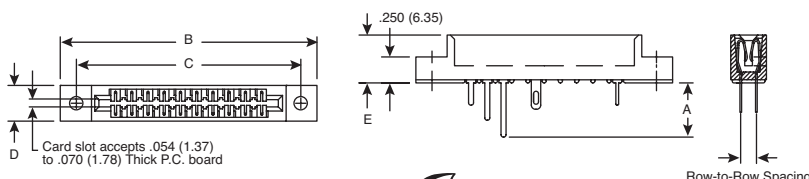
* Single Row

EDAC Backplane/Card Edge

Solder Eyelets

Specifications:

- RoHS compliant per EDAC documentation
- Insulator Material: Thermoplastic Polyester, UL94V-0
- Contact Material: Copper, Nickel, Tin Alloy CA-725
- Contact Plating: Gold on mating area, tin on contact tails, nickel underplate
- Colors: Series 305, 306 and 307 are green
- Insulation Resistance: 5000MΩ @ 500 VDC
- Dielectric Withstanding Voltage: 1500 VAC RMS @ sea level
- Current Rating: 3A
- Contact Resistance: 6mΩ max.



RoHS Compliant

For quantities greater than listed, call for quote.

MOUSER STOCK NO.	EDAC Part No.	Fig.	Spacing in. (mm)		Dimensions in. (mm)					Price Each			
			Row-to-Row	Contact Centers	A	B	C	D	E	1	25	50	100
* 587-306-50-010	306-010-500-102	10	-	.156 (3.96)	.282 (7.16)	2.466 (62.64)	2.156 (54.76)	.343 (8.71)	.460 (11.68)	5,15	4,68	4,36	4,08
587-305-50-012	305-012-500-202	12	.140 (3.56)	.156 (3.96)	.282 (7.16)	1.842 (46.79)	1.532 (38.91)	.343 (8.71)	.460 (11.68)	2,75	2,44	2,32	2,29
587-307-012	307-012-500-202	12	.200 (5.08)	.156 (3.96)	.282 (7.16)	1.842 (46.79)	1.532 (38.91)	.343 (8.71)	.460 (11.68)	4,21	3,31	3,05	2,83
* 587-306-50-015	306-015-500-102	15	-	.156 (3.96)	.282 (7.16)	3.246 (82.45)	2.936 (74.57)	.343 (8.71)	.460 (11.68)	5,03	4,82	4,66	4,46
* 587-306-50-018	306-018-500-102	18	-	.156 (3.96)	.282 (7.16)	3.714 (94.34)	3.404 (86.46)	.343 (8.71)	.460 (11.68)	5,12	4,97	4,87	4,75
587-305-50-020	305-020-500-202	20	.140 (3.56)	.156 (3.96)	.282 (7.16)	2.466 (62.64)	2.156 (54.76)	.343 (8.71)	.460 (11.68)	3,52	3,11	2,91	2,61
587-307-020	307-020-500-202	20	.200 (5.08)	.156 (3.96)	.282 (7.16)	2.466 (62.64)	2.156 (54.76)	.343 (8.71)	.460 (11.68)	4,46	4,06	3,77	3,53
* 587-306-50-022	306-022-500-102	22	-	.156 (3.96)	.282 (7.16)	4.338 (110.19)	4.028 (102.31)	.343 (8.71)	.460 (11.68)	6,27	6,13	5,88	5,56
587-305-50-024	305-024-500-202	24	.140 (3.56)	.156 (3.96)	.282 (7.16)	2.778 (70.56)	2.468 (62.69)	.343 (8.71)	.460 (11.68)	3,75	3,32	3,05	2,70
587-307-024	307-024-500-202	24	.200 (5.08)	.156 (3.96)	.282 (7.16)	2.778 (70.56)	2.468 (62.69)	.343 (8.71)	.460 (11.68)	3,77	3,43	3,19	2,99
587-305-50-030	305-030-500-202	30	.140 (3.56)	.156 (3.96)	.282 (7.16)	3.246 (82.45)	2.936 (74.57)	.343 (8.71)	.460 (11.68)	4,76	4,31	4,03	3,77
587-307-030	307-030-500-202	30	.200 (5.08)	.156 (3.96)	.282 (7.16)	3.246 (82.45)	2.936 (74.57)	.343 (8.71)	.460 (11.68)	3,14	3,11	3,02	2,95
587-305-50-036	305-036-500-202	36	.140 (3.56)	.156 (3.96)	.282 (7.16)	3.714 (94.34)	3.404 (86.46)	.343 (8.71)	.460 (11.68)	5,16	4,69	4,36	4,08
587-307-036	307-036-500-202	36	.200 (5.08)	.156 (3.96)	.282 (7.16)	3.714 (94.34)	3.404 (86.46)	.343 (8.71)	.460 (11.68)	3,59	3,49	3,42	3,35
587-305-50-044	305-044-500-202	44	.140 (3.56)	.156 (3.96)	.282 (7.16)	4.338 (110.19)	4.028 (102.31)	.343 (8.71)	.460 (11.68)	7,72	6,08	5,62	5,20
587-307-044	307-044-500-202	44	.200 (5.08)	.156 (3.96)	.282 (7.16)	4.338 (110.19)	4.028 (102.31)	.343 (8.71)	.460 (11.68)	4,25	4,10	3,99	3,92

* Single Row

Polarizing Key

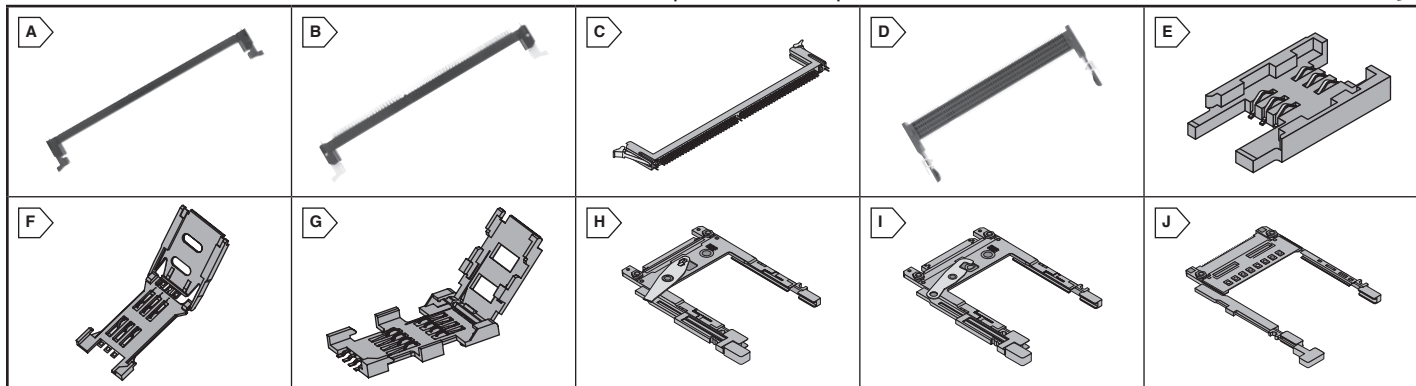
For quantities greater than listed, call for quote.

MOUSER STOCK NO.	EDAC Part No.	Description	Price Each			
			1	25	50	100
587-306-240-318	306-240-318	Polarizing key between contact	0,36	0,338	0,325	0,304

© Copyright 2012 Mouser Electronics

© Copyright 2012 Mouser Electronics

RoHS Compliant **This product is RoHS compliant.**



DDR3 CONNECTORS

Features:

- 240 Positions
- Low Level Contact Resistance; 20 milliohms max
- Contact design protects against stubbing

- Supports high speed serial differential signaling at data rates extending to 4.8 Gb/s for DDR3
- RoHS Compliant per FCI documentation

Specifications:

- Housing Material: Thermoplastic UL94V-0
- Contact Base Material: Copper Alloy

- Current Rating: 0.75A @ 30°C
- Durability (Mating Cycles): 25 Mating Cycles



RoHS Compliant

For quantities greater than listed, call for quote.

MOUSER STOCK NO	FCI Part No.	Fig.	Housing Color	Latch Color	Clip Type	Contact Plating	Tail Length	Price Each		
								1	25	50
SMT										
649-10079248-11017LF	10079248-11017LF	A	Black	Black	Metal Clip	30µ" Gold	---	3,33	2,48	2,33
Thru Mount										
649-10081530-11107LF	10081530-11107LF	B	Black	Ivory	Metal Clip	15µ" Gold	2.67mm (.105")	2,70	1,99	1,88
649-10081530-11108LF	10081530-11108LF	B	Black	Ivory	Metal Clip	30µ" Gold	2.67mm (.105")	3,28	2,42	2,28

DDR2 CONNECTORS

Vertical sockets accept DDR2 (Double Data Rate 2) memory module assemblies per JEDEC MO-237 to allow convenient memory expansion in desktop PC's, servers, and communication equipment.

Features:

- 240 Positions
- Centerline Spacing: 1.00mm (0.039")
- Orientation: Vertical
- Voltage: 1.8V
- RoHS Compliant per FCI documentation

Specifications:

- Plating: Contact: 15µ" Gold; *3µ" Gold Solder-tail: 100µ" Tin Underplate: 50µ" Nickel

- Housing Material: Thermoplastic (UL94V-0)
- Contact Base Metal: Copper Alloy
- Current Rating: 0.5 Amps @ 30°C rise
- Durability (Mating Cycles): 25 Mating cycles per EIA 364



RoHS Compliant

For quantities greater than listed, call for quote.

MOUSER STOCK NO	FCI Part No.	Fig.	Housing Color	Latch Color	Clip Type	Contact Plating	Tail Length	Price Each		
								1	25	50
DIMM - 240 Positions - 1mm Pitch										
649-10023061-10207LF	10023061-10207LF	C	Black housing	Ivory	Plastic post	15µ" Gold	3.18mm (.125")	1,95	1,43	1,37
649-10023061-10227LF	10023061-10227LF	C	Black housing	Black	Plastic post	15µ" Gold	3.18mm (.125")	2,08	1,53	1,45
649-10023061-10107LF *	10023061-10107LF	C	Black housing	Ivory	Plastic post	15µ" Gold	2.67mm (.105")	2,08	1,53	1,45
649-10005639-11107LF	10005639-11107LF	C	Black housing	Ivory	Metal clip	15µ" Gold	2.67mm (.105")	1,87	1,35	1,31
649-10005639-11109LF	10005639-11109LF	C	Black housing	Ivory	Metal clip	15µ" Gold	2.67mm (.105")	1,70	1,24	1,18
649-10005639-12207LF	10005639-12207LF	C	Black housing	Ivory	Metal clip	3µ" Gold	3.18mm (.125")	1,86	1,41	1,34
649-10005639-12227LF	10005639-12227LF	C	Black housing	Black	Metal clip	15µ" Gold	3.18mm (.125")	2,06	1,48	1,43
SO-DIMM - 200 Positions - .6mm Pitch										
649-10033853-052FSLF	10033853-052FSLF	D	Black	Tin	Metal	Gold Flash	---	7,80	6,19	5,93
649-10033854-052FSLF	10033854-052FSLF	D	Black	Tin	Metal	Gold Flash	---	7,79	6,19	5,93

SIM CONNECTORS

Features:

- Various heights available
- All directions insertion option
- Sliding with and without stopper configurations available

- Switched versions available
- RoHS compliant per FCI documentation



RoHS Compliant

For quantities greater than listed, call for quote.

MOUSER STOCK NO	FCI Part No.	Fig.	Number of Positions	Configuration	Cover Type	Height	Price Each			
							1	25	50	100
649-7111S1615A01LF	7111S1615A01LF	E	6	With Cardguides	None	3.7mm	1,25	1,14	0,998	0,957
649-7111S2015X02LF	7111S2015X02LF	F	6	Flip Top	With Windows	2.5mm	0,82	0,54	0,52	0,488
649-7112S0825X01LF	7112S0825X01LF	G	8	Flip Top	With Windows	3mm	1,16	1,05	0,99	0,908

PCMCIA HEADERS

Features:

- Insertion Force: 39.2 N max
- Current Rating: 0.5 amp DC per contact

- Insertion Force: 39.2 N max
- Current Rating: 0.5 amp DC per contact

Specifications:

- Withdrawal Force: 6.67 N min 39.2 N max
- UL and CSA approved
- Housing: Black LCP
- Center Line Spacing: 1.27mm
- RoHS Compliant per FCI documentation



RoHS Compliant

For quantities greater than listed, call for quote.

MOUSER STOCK NO	FCI Part No.	Fig.	Mounting Style	Standoff Height	Voltage	No. of Decks	Price Each			
							1	25	50	100
649-61124-250CALF	61124-250CALF	H	Surface Mount	5.0mm	3.3V	Double	10,92	7,73	7,60	7,10
649-61125-050CALF	61125-050CALF	H	Surface Mount	5.0mm	3.3V	Single	12,17	8,08	7,40	7,25
649-92194-320CALF	92194-320CALF	I	Through Hole	2.0mm	5.0V	Double	12,75	9,02	8,50	8,31
649-92789-040HLF	92789-040HLF	I	Through Hole	4.0mm	5.0V	Single	9,65	6,75	6,36	5,97

CARDBUS HEADERS

Features:

- Conform to CardBus standards
- Usable as a stand alone header
- Card Travel: 8 mm

Specifications:

- No. of Contacts: 136
- Withdrawal Force: 6.67 N min 39.2 N max
- UL and CSA approved

- Housing: Black LCP
- Center Line Spacing: 1.27 mm
- RoHS Compliant per FCI documentation



RoHS Compliant

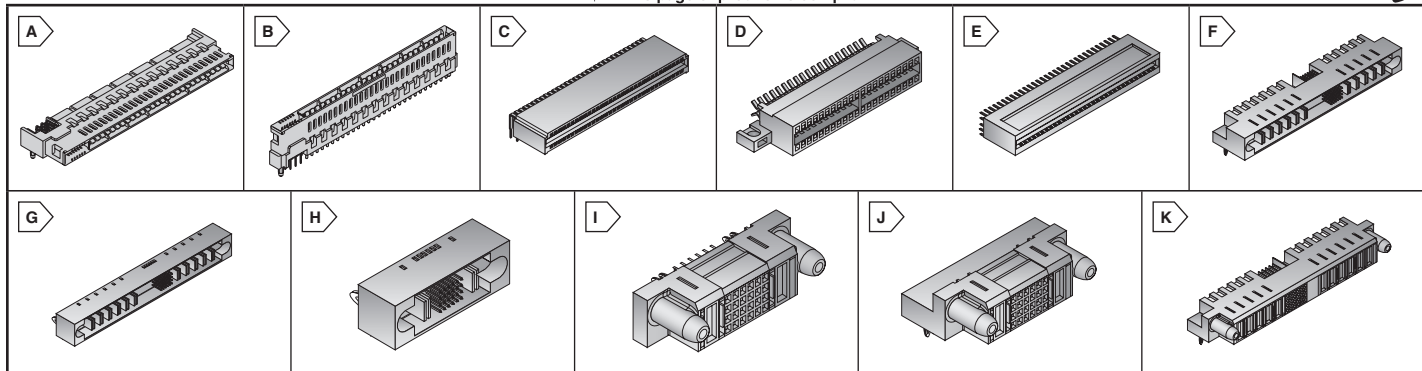
For quantities greater than listed, call for quote.

MOUSER STOCK NO	FCI Part No.	Fig.	Mounting Style	Standoff Height	Eject Style	No. of Decks	Price Each			
							1	25	50	100
649-71299-050CALF	71299-050CALF	J	SMT Vertical PCB	5.0mm	Front Push Rod	Single	16,35	10,85	10,29	9,76
649-72305-020LF	72305-020LF	J	SMT Vertical PCB	2.2mm	Non-Eject	Single	15,30	10,56	10,09	9,36

FCI Card Edge Connectors



RoHS Compliant This page of product is compliant.



HIGH POWER CARD EDGE (HPCE™) CONNECTORS

Features:

- Current rating to 9A/power contact beam (with multiple power contacts fully energized) without exceeding a 30°C temperature rise in still air
- Low profile height (2.8mm for straddle mount; 7.50mm for right angle) maximizes airflow for effective system cooling
- One-piece assembly enables cost-effective power delivery for 1U and 2U power supplies or power distribution applications
- Highly vented housing design maximizes heat dissipation
- Vertical, right angle and straddle mount options are available with both power contacts for power distribution and signal contacts for power control
- Number and placement of power and signal contacts are highly configurable for custom power needs
- Polarized housing option ensures proper mating board orientation
- Plastic housing features and mounting ear options are available for polarization to the host PCB as well as to secure the connector during the wave solder process
- Robust design includes touch-proof safety features that are UL/IEC 60950 compliant
- Solder or press-fit tails are available on the vertical option for termination flexibility



For quantities greater than listed, call for quote.

MOUSER STOCK NO.	FCI Part No.	Fig.	Description	Orientation	Price Each			
					1	25	50	100
649-10088418-002LF	10088418-002LF	A	56P+12S Receptacle	Vertical	9,09	7,05	6,58	6,29
649-10096926-004LF	10096926-004LF	B	56P+12S Receptacle	Right Angle	12,10	9,38	8,77	8,36

POWER CARD EDGE

The Power Card Edge connector is a connector system that can be used for DC power output from embedded AC/DC power supplies or for power distribution between boards within an enclosure. The connectors' low profiles are ideal for use in enterprise data or communication equipment.

Features:

- One piece card edge design provides cost-effective power delivery with capacity for up to 7A per power contact
- RoHS Compliant per FCI documentation

Specifications:

- Housing: High temperature thermoplastic UL94V-0
- Current Rating: 7A

For quantities greater than listed, call for quote.

MOUSER STOCK NO.	FCI Part No.	Fig.	No. of Pos.	Orientation	Tail Plating	Price Each			
						1	25	50	100
649-10035388-500LF	10035388-500LF	C	56	Right Angle	100 μ" pure matte Tin	6,93	5,65	5,37	5,20
649-10053363-200LF	10053363-200LF	C	64	Right Angle	100 μ" pure matte Tin	5,13	3,96	3,78	3,57
649-10034908-001LF	10034908-001LF	D	38	Straddle Mount	100 μ" pure matte Tin	3,79	2,97	2,80	2,66

MICROTCA™ CARD EDGE CONNECTORS

MicroTCA™ (μTCA™) vertical card edge connectors provide 170 contacts on .75mm pitch and enable AdvancedMC™ (AMC™) modules to be plugged directly to a backplane. FCI connectors are in full compliance with the MicroTCA standard. The MicroTCA standard, developed within PICMG®, creates a physically small but very powerful system in 4U height and 300mm depth. The MicroTCA system architecture reduces size and cost by eliminating the ATCA® carrier board and providing a chassis that accepts AMC™ modules directly. MicroTCA shelves will also support hot-pluggable modules, which will increase availability by allowing individual modules to be serviced or upgraded without taking the shelf offline. The MicroTCA form factor is expected to be ideal for communications equipment, such as core routers and IP-gateways, radio base stations and switching centers and customer premises equipment, where small physical size and cost are key design constraints.

Features:

- 170 position card edge interface with 0.75mm contact pitch
- RoHS Compliant per FCI documentation

Specifications:

- Housing: High temperatures thermoplastic, UL94V-0
- Current rating: 1.0A/contact maximum

For quantities greater than listed, call for quote.

MOUSER STOCK NO.	FCI Part No.	Fig.	No. of Positions	Mounting Style	Color	Orientation	Price Each			
							1	25	50	100
649-10058831-110LF	10058831-110LF	E	170	Press-fit	Black	Vertical	18,04	13,32	12,92	12,24

PWRBLADE® CONNECTORS

The PwrBlade® power distribution connector system includes power and signal contacts to provide power distribution and power control in a single connector. Options for either vertical or right angle versions of both headers and corresponding receptacles deliver support for coplanar, backplane or mezzanine connections. The connectors are ideal for robust power connections to embedded AC/DC power supplies or for board-to-board connections in servers, storage enclosures and communications equipment.

Features:

- Provides contacts for power distributions and power control
- Capability for up to 20 power contacts and 148 signal contacts in up to 8 inches
- Options for solder or press-fit termination
- RoHS Compliant per FCI documentation

Specifications:

- Housing: Glass-filled high temperature nylons

For quantities greater than listed, call for quote.

MOUSER STOCK NO.	FCI Part No.	Fig.	Description	Orientation	Price Each			
					1	25	50	100
649-51624-XX001LF	51624-XX001LF	F	5P+24S+1M+6P, Header	Right Angle	8,33	6,44	5,96	5,68
649-51860-001LF	51860-001LF	G	5P+24S+1M+6P, Header	Vertical	16,84	12,43	11,81	11,42
649-51952-001LF	51952-001LF	H	1P+24S+1P, Header	Vertical	4,05	3,22	3,07	2,94
649-51952-002LF	51952-002LF	H	1P+24S+1P, Header	Vertical	9,25	6,85	6,48	6,30
649-51666-001LF	51666-001LF	I	1P+24S+1P, Receptacle	Vertical	4,32	3,42	3,30	3,13
649-51416-001LF	51416-001LF	J	1P+24S+1P, Receptacle	Right Angle	3,65	2,90	2,82	2,65
649-51625-XX001LF	51625-XX001LF	K	5P+24S+1M+6P, Receptacle	Right Angle	8,30	6,15	5,85	5,65
649-51741-102406CCLF	51741-10002406CCLF	-	6P+24S, Receptacle	Vertical	4,05	3,82	3,62	3,38
649-51761-12406AALF	51761-10002406AALF	-	6P+24S, Receptacle	Right Angle	4,58	4,17	4,11	3,90
649-51762-104024ABLF	51762-10402400ABLF	-	4P+24S Receptacle	Right Angle	6,10	5,49	5,18	4,81
649-51762-10602AALF	51762-10602000AALF	-	6P+20S, Receptacle	Right Angle	4,78	4,35	3,98	3,68
649-51866-025LF	51866-025LF	-	9P+24S, Receptacle	Right Angle	6,20	5,63	5,35	5,07
649-51940-117LF	51940-117LF	-	9P+24S Receptacle	Vertical	7,98	7,17	6,77	6,29
649-51915-176LF	51915-176LF	-	12P+24S, Receptacle	Right Angle	8,32	7,49	7,07	6,58
649-51915-050LF	51915-050LF	-	3ACP+5P+24S Receptacle	Right Angle	6,58	5,92	5,58	5,19

FCI Metral® 2.00mm and High Speed Backplane Connectors



RoHS Compliant This page of product is compliant.

METRAL® 2.00MM MODULAR INTERCONNECT SYSTEM

Mix low and high speed signal modules. Mix signal and power modules. Designed in accordance with IEC 61076-4-104.

Specifications:

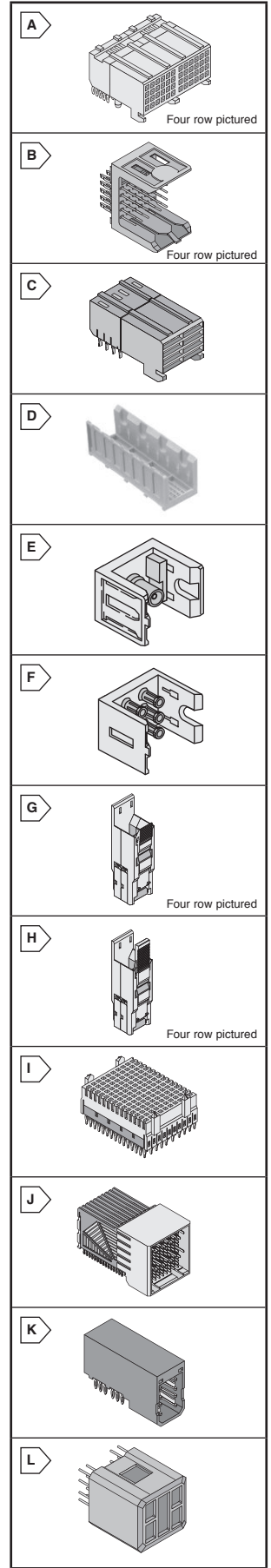
- Plating performance: Telcordia Central Office
- Housing material: Glass-filled LCP
- Tail length: Header 4.30mm (.169")
- Temperature: 55°C to +125°C
- Insulation resistance: 1000MΩ
- Current rating: 1.0A



*High Speed

For quantities greater than listed, call for quote.

MOUSER STOCK NO.	FCI Part No.	Fig.	Pos.	Description	Orientation	Price Each			
						1	25	50	100
Receptacles									
649-88945-102LF	88945-1v02LF	A	24	4 row, Signal receptacle, press fit	Right Angle	2,14	1,84	1,68	1,60
649-89047-102LF	89047-102LF	A	30	5 row, Signal receptacle, press fit	Right Angle	2,52	2,05	1,94	1,86
649-89094-102LF	89094-102LF	A	120	5 row, Signal receptacle, press fit	Right Angle	9,33	6,92	6,62	6,35
649-74981-102LF	74981-102LF	A	96	8 row, Signal receptacle, press-fit	Right Angle	23,79	18,20	17,32	16,64
Headers									
649-70232-111LF	70232-111LF	B	24	4 row, Signal header, press-fit	Straight	1,68	1,53	1,45	1,32
649-70232-116LF	70232-116LF	B	24	4 row, Signal header, press-fit	Straight	1,38	1,26	1,19	1,13
649-70234-116LF	70234-116LF	B	96	4 row, Signal header, press-fit	Straight	4,82	4,38	4,17	3,95
649-89006-110LF	89006-110LF	B	30	5 row, Signal hdr, press fit, 5mm mating length	Straight	2,43	2,05	1,93	1,80
* 649-55003-101003LF	55003-101003LF	B	30	5 row, Signal header, press fit	Straight	8,42	6,30	6,00	5,73
Power Receptacles									
649-89096-102LF	89096-102LF	C	10	5 row, Press-Fit	Right Angle	3,09	2,66	2,56	2,43
Shroud									
649-89055-111LF	89055-111LF	D	-	5 row, wide body shroud	-	0,71	0,665	0,648	0,62
Hybrid Connectors									
649-88911-101LF	88911-101LF	E	-	DIN Standard Housing, 12mm wide body	-	0,52	0,47	0,449	0,426
649-88913-101LF	88913-101LF	F	-	Mini Coax Housing, 12mm, wide body	-	2,56	2,11	2,03	1,87



METRAL® 2.00MM CABLE CONNECTORS

Specifications:

- Interface compatible with IEC 61076-4-104 backpanel connectors
- Insulation displacement design offers quick termination without the need to strip conductors
- Active backshell latches securely
- Different latch designs are available to satisfy ergonomic and mechanical requirements
- End-stackable cable connectors enable adjacent connectors to plug headers without loss of positions
- Easy to use cable receptacle kits mate to PCB Headers
- Contact plating meets Telcordia Central Office
- Assembly Required

Receptacles

For quantities greater than listed, call for quote.

MOUSER STOCK NO.	FCI Part No.	Fig.	Pos.	Description	Latch Type	Price Each			
						1	25	50	100
4 Row Cable Kit w/ Backshells									
649-72476-1211LF	72476-1211LF	G	24	26-24 AWG	Short	5,72	5,21	4,93	4,68
649-72476-1111LF	72476-1111LF	H	24	26-24 AWG	Standard	5,36	4,88	4,63	4,39
649-72477-1211LF	72477-1211LF	G	48	26-24 AWG	Short	13,47	13,28	12,95	8,91
649-72477-1111LF	72477-1111LF	H	48	26-24 AWG	Standard	9,53	8,67	8,24	7,80
649-72477-1121LF	72477-1121LF	H	48	30-28 AWG	Standard	12,46	9,20	8,85	8,33
5 Row Cable Kit w/ Backshells									
649-72479-1111LF	72479-1111LF	H	60	26-24 AWG	Standard	8,71	8,24	7,79	7,40

AIRMAX VS® (VIRTUAL SHIELDS) HIGH-SPEED BACKPLANE CONNECTOR SYSTEM

Specifications:

- Termination Style: Press-fit
- Contact Base Material: Copper alloy
- Contact Plating: Au over Ni
- Tail Plating: Sn over Ni
- Housing Material: Hi-temp thermoplastic
- 2mm column spacing
- RoHS Compliant per FCI documentation

For quantities greater than listed, call for quote.

MOUSER STOCK NO.	FCI Part No.	Fig.	No. of Pos.	No. of Columns	Description	Price Each		
						1	10	25
Receptacles								
649-10034251-101LF	10034251-101LF	I	90	10	3-Pair, Signal	9,77	8,49	7,21
649-10043546-101LF	10043546-101LF	I	54	6	3-Pair, Signal	4,51	3,93	3,36
649-10045271-101LF	10045271-101LF	I	72	8	3-Pair, Signal	6,01	5,74	5,47
Headers								
649-10034249-101LF	10034249-101LF	J	90	10	4 Wall, Right Angle, 3-Pair, Signal	9,24	7,97	6,71
649-10039851-101LF	10039851-101LF	J	54	6	4 Wall, Right Angle, 3-Pair, Signal	5,79	4,93	4,08
649-10045267-101LF	10045267-101LF	J	72	8	4 Wall, Right Angle, 3-Pair, Signal	7,40	7,06	6,72
Guide Pins								
649-10037909-101LF	10037909-101LF	-	-	-	Guide Module R/A 7.2MM	2,38	2,13	1,88
649-10037910-101LF	10037910-101LF	-	-	-	Guide Pin External 10.8MM	1,83	1,75	1,68
649-10037912-101LF	10037912-101LF	-	-	-	Guide Module Assembly 10.8MM	2,75	2,45	2,16
649-10037911-102LF	10037911-102LF	-	-	-	Guide Pin Internal 10.8MM	1,98	1,92	1,86

AIRMAX VS® (VIRTUAL SHIELDS) POWER HIGH-SPEED BACKPLANE CONNECTOR SYSTEM

Features:

- Current rating to 80 amps for 1x2 and 2x2 modules
- Protected Backplane connector UL 60950 Compliant (Finder Probe)
- Press-fit termination
- RoHS Compliant per FCI documentation

Specifications:

- Contact Base Material: Copper Alloy
- Housing Material: Hi-temp thermoplastic

For quantities greater than listed, call for quote.

MOUSER STOCK NO.	FCI Part No.	Fig.	No. of Pos.	Description	Contact Array	Height above PCB	Price Each		
							1	10	25
Headers									
649-10028917-001LF	10028917-001LF	K	4	Right Angle, Power	2x2	14.7mm	5,11	4,31	3,52
649-10073379-001LF	10073379-001LF	K	4	Right Angle, Power	2x2	11.5mm	7,41	7,25	6,55
Receptacles									
649-10061290-5545PLF	10061290-55455PLF	L	6	Vertical, Power	2x3	11.5mm	9,96	9,04	8,60

HARTING DIN 41612 Connectors



DIN 41612 SIGNAL CONNECTORS - 2 AMP

- IEC 60 630-2
- Pitch: 2.54mm
- Current rating: 2A
- 1A for Insulation Displacement version
- Up to 40A Contacts in Type M version
- Contact Plating: Performance Level 2 plating (acc to DIN41612, part 5)
- UL and CSA Approved
- Contact resistance: 15ohms for wire wrap connections 20 mΩ for including crimp connections
- Temperature Range: -55°C - +125°C
- Termination zone tinned
- Moldings: Thermoplastic resin, glass fiber filled - UL94V-0
- Contacts: Copper Alloy



2 Row Type B

For quantities greater than listed, call for quote.

MOUSER STOCK NO.	HARTING Part No.	No. of Contacts	Rows Loaded	Style	Termination Type	Pin Length (mm)	Price Each		
							1	10	25
Male									
617-09-02-164-6921	09 02 164 6921	64	a, b	Right-Angle	Solder Pins	3	2,70	2,48	2,36
Female									
617-09-02-264-6824	09 02 264 6824	64	a, b	Straight	Solder Pins	2.9	3,70	3,42	3,24
617-09-02-264-6825	09 02 264 6825	64	a, b	Straight	Solder Pins	4.5	3,98	3,78	3,59
617-09-02-264-6821	09 02 264 6821	64	a, b	Straight	Wire Wrap Pins	13	3,53	3,27	3,09
617-09-02-264-6828	09 02 264 6828	64	a, b	Cable Mount	IDC	-	10,72	10,19	9,68
* 617-09-02-064-3214	09 02 064 3214	64	-	Cable Mount	Crimp Pins	-	8,76	8,32	7,91

* Order contacts separately...See next page.

2 Row Type 2B (Half-Length)

For quantities greater than listed, call for quote.

Male									
617-09-22-132-6921	09 22 132 6921	32	a, b	Right-Angle	Solder Pins	3	2,27	2,11	1,99
Female									
617-09-22-232-6825	09 22 232 6825	32	a, b	Straight	Solder Pins	4.5	3,13	2,89	2,73

2 Row Type C

For quantities greater than listed, call for quote.

Male									
617-09-03-132-6921	09 03 132 6921	32	a, c	Right-Angle	Solder Pins	3	2,11	1,95	1,85
617-09-03-164-6921	09 03 164 6921	64	a, c	Right-Angle	Solder Pins	3	1,77	1,64	1,54
Female									
617-09-03-264-6824	09 03 264 6824	64	a, c	Straight	Solder Pins	2.9	2,31	2,14	2,02
617-09-03-264-6825	09 03 264 6825	64	a, c	Straight	Solder Pins	4.5	1,96	1,83	1,72
617-09-03-264-6850	09 03 264 6850	64	a, c	Straight	Press-In Pins	4.5	1,98	1,88	1,79
617-09-03-264-6828	09 03 264 6828	64	a, c	Cable Mount	IDC	-	7,86	7,26	6,86
* 617-09-03-096-3214	09 03 096 3214	96	-	Cable Mount	Crimp Pins	-	4,49	4,16	3,93

* Order contacts separately...See next page.

3 Row Type C

For quantities greater than listed, call for quote.

Male									
617-09-03-196-6921	09 03 196 6921	96	a, b, c	Right-Angle	Solder Pins	3	2,73	2,54	2,40
617-09-03-196-6922	09 03 196 6922	96	a, b, c	Straight	Solder Pins	3	3,15	2,91	2,75
Female									
617-09-03-296-6821	09 03 296 6821	96	a, b, c	Straight	Wire Wrap Pins	13	4,64	4,29	4,07
617-09-03-296-6825	09 03 296 6825	96	a, b, c	Straight	Solder Pins	4.5	2,29	2,12	2,00
617-09-03-296-6850	09 03 296 6850	96	a, b, c	Straight	Press-In Pins	4.5	2,71	2,65	2,50

3 Row Type 2C (Half-Length)

For quantities greater than listed, call for quote.

Male									
617-09-25-130-6921	09 25 130 6921	30	a, b, c	Right-Angle	Solder Pins	3	2,73	2,52	2,39
617-09-23-148-6921	09 23 148 6921	48	a, b, c	Right-Angle	Solder Pins	3	2,83	2,00	1,90
Female									
617-09-25-230-6825	09 25 230 6825	30	a, b, c	Straight	Solder Pins	4.5	3,48	3,21	3,03
617-09-23-248-6825	09 23 248 6825	48	a, b, c	Straight	Solder Pins	4.5	2,84	2,61	2,48

3 Row Type M

Order contacts separately...See next page.

For quantities greater than listed, call for quote.

Male									
617-09-03-124-6901	09 03 124 6901	24 + 8	a, b, c	Right-Angle	Solder Pins	3	5,90	5,47	5,17
617-09-03-142-6901	09 03 142 6901	42 + 6	a, b, c	Right-Angle	Solder Pins	3	7,20	6,84	6,50
617-09-03-160-6901	09 03 160 6901	60 + 4	a, b, c	Right-Angle	Solder Pins	3	7,78	7,19	6,81
617-09-03-178-6901	09 03 178 6901	78 + 2	a, b, c	Right-Angle	Solder Pins	3	4,96	4,41	4,27
Female									
617-09-03-224-6805	09 03 224 6805	24 + 8	a, b, c	Straight	Solder Pins	4.5	7,30	6,93	6,59
617-09-03-242-6805	09 03 242 6805	42 + 6	a, b, c	Straight	Solder Pins	4.5	5,80	5,51	5,23
617-09-03-260-6805	09 03 260 6805	60 + 4	a, b, c	Straight	Solder Pins	4.5	6,80	6,28	5,95

3 Row Type R - Inverse

For quantities greater than listed, call for quote.

Male									
617-09-73-164-6903	09 73 164 6903	64	a, c	Straight	Solder Pins	4	2,59	2,39	2,25
617-09-73-196-6903	09 73 196 6903	96	a, b, c	Straight	Solder Pins	4	4,02	3,72	3,51
617-09-73-196-6904	09 73 196 6904	96	a, b, c	Straight	Press-In Pins	5	4,26	3,95	3,74
Female									
617-09-73-264-6801	09 73 264 6801	64	a, c	Right-Angle	Solder Pins	3	2,11	2,01	1,91
617-09-73-296-6801	09 73 296 6801	96	a, b, c	Right-Angle	Solder Pins	3	2,46	2,33	2,30

DIN 41612 TYPE 2C FEMALE CRIMP CONNECTORS AND SHELL HOUSING

Female Connectors

Order contacts separately...See next page.

For quantities greater than listed, call for quote.

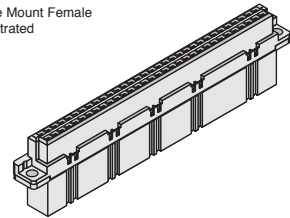
MOUSER STOCK NO.	HARTING Part No.	No. of Contacts	Rows Loaded	Style	Termination Type	Mates With	Price Each		
							1	10	25
617-09-23-048-3214	09 23 048 3214	48	a, b, c	Straight	Crimp Pins	2C Male	4,87	4,79	4,65
617-09-23-048-3217	09 23 048 3217	48	a, b, c	Straight	Crimp Pins	2R Male	5,12	5,05	4,90

Shell Housing 2C

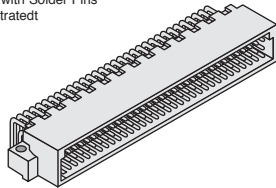
For quantities greater than listed, call for quote.

MOUSER STOCK NO.	HARTING Part No.	Description	Price Each		
			1	10	25
617-09-23-048-0501	09 23 048 0501	Shell, Blinding Plate, Cable Tie, Screw 2.2 x 9.5 (4)	5,58	5,48	5,33

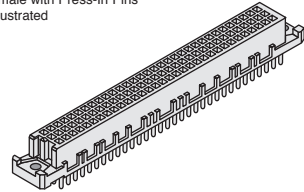
2 Row Type B Cable Mount Female
09 02 064 3214 Illustrated



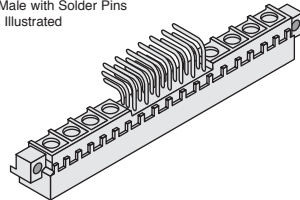
3 Row Type C Male with Solder Pins
09 03 196 6921 Illustrated



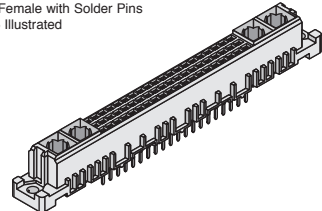
3 Row Type C Female with Press-In Pins
09 03 296 6850 Illustrated



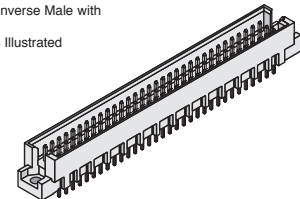
3 Row Type M Male with Solder Pins
09 03 124 6901 Illustrated



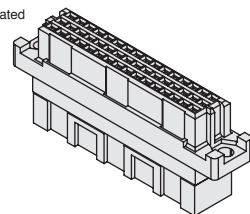
3 Row Type M Female with Solder Pins
09 03 260 6805 Illustrated



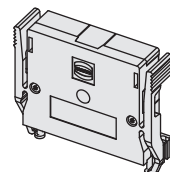
3 Row Type R-Inverse Male with Solder Pins
09 73 196 6903 Illustrated



09 23 048 3214 Illustrated



09 23 048 0501 Illustrated



HARTING DIN 41612 Connectors



CONTACTS FOR 2A DIN 41612 SIGNAL CONNECTORS

To be used with HARTING 2 Amp DIN 41612 Signal Connectors on previous page.



Individual Crimp Contacts for Use with Type B and C Cable Mount Versions

For quantities greater than listed, call for quote.

MOUSER STOCK NO.	HARTING Part No.	Description	Price Each		
			1	10	25
617-09-02-000-8474	09 02 000 8474	For female connectors type B and C (BC1) - 28-20 AWG	0,33	0,30	0,30
Performance Level 1 Plating (acc to DIN 41612, Part 5)					
617-09-02-000-8484	09 02 000 8484	For female connectors type B and C (BC1) - 28-20 AWG	0,28	0,257	0,249

Coaxial Contacts for Type M Connectors

For quantities greater than listed, call for quote.

MOUSER STOCK NO.	HARTING Part No.	Description	Price Each		
			1	10	25
617-09-03-000-6262	09 03 000 6262	Female 50ohms for male connectors angled for pcb termination	9,11	8,42	7,97
617-09-03-000-6260	09 03 000 6260	Female 50ohms for male connectors for straight solder/crimp termination	11,35	10,49	9,93
617-09-03-000-6160	09 03 000 6160	Male 50ohms for female connectors for straight solder/crimp termination	8,12	7,49	7,10

High Current Contacts for Type M Connectors

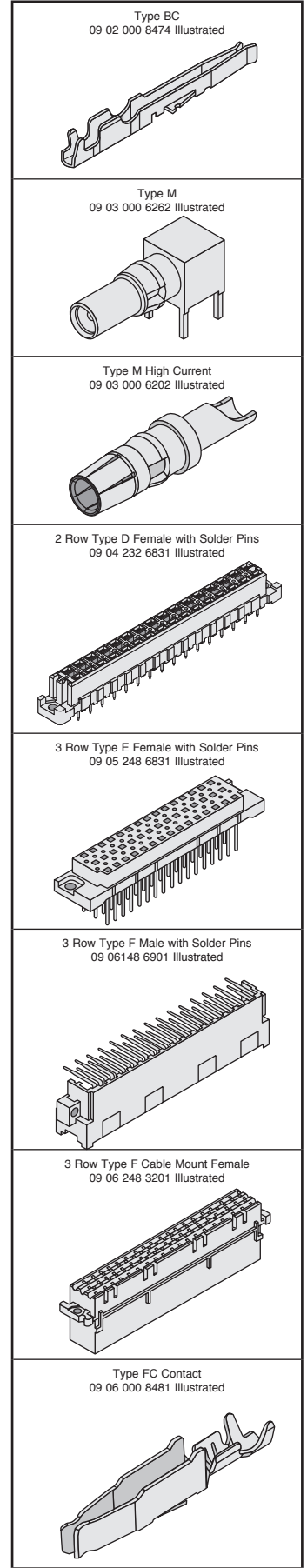
For quantities greater than listed, call for quote.

MOUSER STOCK NO.	HARTING Part No.	Description	Price Each		
			1	10	25
617-09-03-000-6202	09 03 000 6202	Female contacts for female connectors- 20A for straight solder termination	4,30	3,98	3,75
617-09-03-000-6203	09 03 000 6203	Female contacts for female connectors- 40A for straight solder termination	3,92	3,62	3,42

Tools

For quantities greater than listed, call for quote.

MOUSER STOCK NO.	HARTING Part No.	Description	Price Each
617-09-99-000-0194	09 99 000 0194	Crimp Tool For Coax Contacts	397,04
617-09-99-000-0196	09 99 000 0196	Crimp Tool For High Current Contacts	877,52



DIN 41612 POWER CONNECTORS - 6A

- Pitch: 5.08mm
- Current rating: 6A
- Temperature Range: -55°C - +125°C
- Contact Plating: Performance Level 2 plating (acc to DIN41612, part 5)
- Termination zone tinned

- Contact resistance: ≤ 15 mΩ for wire wrap and solder connections
≤ 20 mΩ for including crimp connections
- Moldings: Thermoplastic resin, glass fiber filled - UL94V-0
- Contacts: Copper Alloy



2 Row Type D

For quantities greater than listed, call for quote.

MOUSER STOCK NO.	HARTING Part No.	No. of Contacts	Rows Loaded	Style	Termination Type	Pin Length (mm)	Price Each		
							1	10	25
Male									
617-09-04-132-6921	09 04 132 6921	32	a, c	Right-Angle	Solder Pins	3.0	3,13	2,89	2,73
Female									
617-09-04-232-6821	09 04 232 6821	32	a, c	Straight	Wire Wrap Pins	20.0	6,36	6,04	5,74
617-09-04-232-6831	09 04 232 6831	32	a, c	Straight	Solder Pins	4.0	7,94	7,34	6,95
617-09-04-232-6826	09 04 232 6826	32	a, c	Right-Angle	Solder Pins	3.0	11,28	10,43	9,86

◆ Order fixing bracket 09 06 000 9912 separately

3 Row Type E

For quantities greater than listed, call for quote.

MOUSER STOCK NO.	HARTING Part No.	No. of Contacts	Rows Loaded	Style	Termination Type	Pin Length (mm)	Price Each		
							1	10	25
Male									
617-09-05-148-6921	09 05 148 6921	48	a, c, e	Right-Angle	Solder Pins	3.0	5,51	5,10	4,82
Female									
617-09-05-248-6831	09 05 248 6831	48	a, c, e	Straight	Solder Pins	4.0	9,41	8,70	8,23
* 617-09-05-048-3202	09 05 048 3202	48	-	Cable Mount	Crimp Pins	-	2,94	2,71	2,56

*Order contacts separately

3 Row Type F

For quantities greater than listed, call for quote.

MOUSER STOCK NO.	HARTING Part No.	No. of Contacts	Rows Loaded	Style	Termination Type	Pin Length (mm)	Price Each		
							1	10	25
Male									
617-09-06-132-6931	09 06 132 6931	32	z, d	Right-Angle	Solder Pins	3.0	3,34	3,09	2,91
617-09-06-148-6901	09 06 148 6901	48	z, b, d	Right-Angle	Solder Pins	3.0	4,63	4,28	4,05
Female									
617-09-06-248-6832	09 06 248 6832	48	z, b, d	Straight	Press-In Pins	5.5	10,76	9,95	9,42
617-09-06-248-6834	09 06 248 6834	48	z, b, d	Straight	Solder Pins	4.5	7,09	6,56	6,20
617-09-06-248-6835	09 06 248 6835	48	z, b, d	Straight	Solder Pins	4.5	6,78	6,27	5,93
* 617-09-06-248-3201	09 06 248 3201	48	-	Cable Mount	Crimp Pins	-	1,15	1,05	1,01

*Order contacts separately † Lower profile version

3 Row Interface Connector I-Complementary to Type F

For quantities greater than listed, call for quote.

MOUSER STOCK NO.	HARTING Part No.	No. of Contacts	Rows Loaded	Style	Termination Type	Pin Length (mm)	Price Each		
							1	10	25
Male									
617-09-06-048-2905	09 06 048 2905	48	z, b, d	Straight	Solder Pins	3.5	20,58	19,03	18,01
Female									
* 617-09-06-048-2906	09 06 048 2906	48	z, b, d	Cable Mount	Crimp Pins	-	24,87	23,00	21,76

*Order contacts separately

TYPE FC CRIMP CONTACTS FOR 6A DIN 41612 POWER CONNECTORS

- For 6 A Power Connector types D, E, and F

- Individual crimp contacts

For quantities greater than listed, call for quote.

MOUSER STOCK NO.	HARTING Part No.	Description	Price Each		
			1	10	25
617-09-06-000-8481	09 06 000 8481	For female connectors type D, E and F - 26-20 AWG (FC2)	0,33	0,307	0,298
617-09-06-000-8482	09 06 000 8482	For female connectors type D, E and F - 20-16 AWG (FC3)	0,33	0,30	0,30
Performance Level 1 Plating (acc to DIN 41612, Part 5)					
617-09-06-000-8471	09 06 000 8471	For female connectors type D, E and F - 26-20 AWG (FC2)	0,33	0,309	0,291
617-09-06-000-8472	09 06 000 8472	For female connectors type D, E and F - 20-16 AWG (FC3)	0,33	0,309	0,291

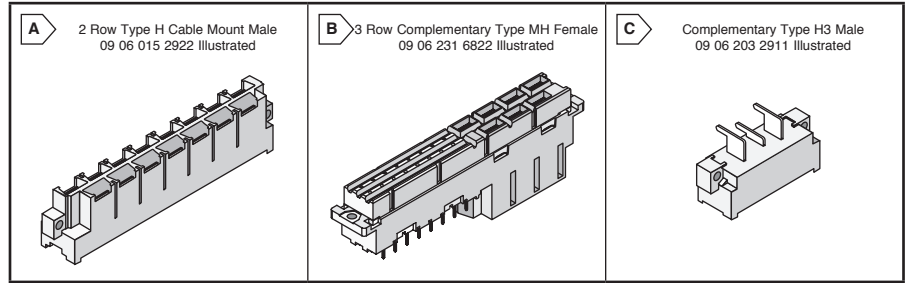
HARTING DIN 41612 Connectors, Tools and Accessories



DIN 41612 POWER CONNECTORS

- Pitch: 5.08mm
- Current rating: 15A
- Temperature Range: -55°C - +125°C
- Contact Plating: Hard Silver Plated
- Contact resistance: $\leq 8m\Omega$
- Moldings: Thermoplastic resin, glass fiber filled - UL94V-0
- Contacts: Copper Alloy

* LC1= Leading contact at position z32
 LC2= Leading contacts at position z4 and z32
 LMC= Leading middle contact



2 Row Type H

For quantities greater than listed, call for quote.

MOUSER STOCK NO.	HARTING Part No.	Fig.	No. of Contacts	Rows Loaded	Style	Termination Type	Pin Length (mm)	Leading* Contact	Price Each		
									1	10	25
Male											
617-09-06-015-2912	09 06 015 2912	A	15	z, d	Cable Mount	Faston 6.3 x 2.5	-	-	9,93	9,43	8,96
617-09-06-015-2922	09 06 015 2922	A	13 + 2	z, d	Cable Mount	Faston 6.3 x 2.5	-	LC2	9,69	9,20	8,74
617-09-06-115-2911	09 06 115 2911	A	15	z, d	Right-Angle	Solder Pins	3	-	8,16	7,52	7,13
617-09-06-115-2932	09 06 115 2932	A	14 + 1	z, d	Right-Angle	Solder Pins	3	LC1	7,46	6,89	6,52
617-09-06-115-2921	09 06 115 2921	A	13 + 2	z, d	Right-Angle	Solder Pins	3	LC2	9,32	8,85	8,41
Female											
617-09-06-215-2821	09 06 215 2821	A	15	z, d	Straight	Solder Pins	4	-	8,24	7,62	7,21
617-09-06-015-2813	09 06 015 2813	A	15	z, d	Cable Mount	Cage Clamp	-	-	26,13	24,82	23,58
617-09-06-215-2811	09 06 215 2811	A	15	z, d	Cable Mount	Faston 6.3 x 2.5	-	-	8,53	8,11	7,70
617-09-06-215-2871	09 06 215 2871	A	15	z, d	Cable Mount	Faston 6.3 x 2.5	-	-	8,58	7,93	7,51

3 Row Complementary Type MH

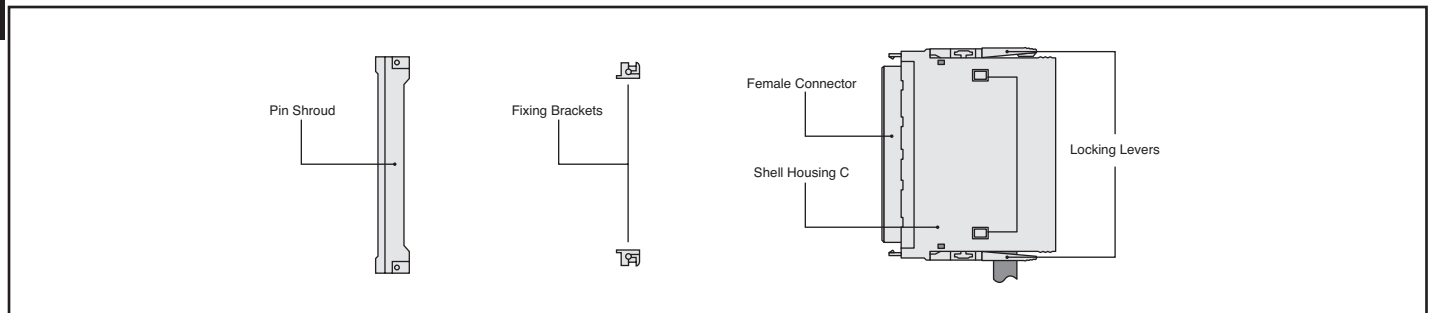
For quantities greater than listed, call for quote.

Male											
617-09-06-131-6922	09 06 131 6922	B	24 + 7	z, b, d	Right-Angle	Solder Pins	3	LC1	7,38	6,82	6,45
Female											
617-09-06-231-6822	09 06 231 6822	B	24 + 7	z, b, d	Straight	Solder Pins	4.5	-	13,18	12,19	11,54

Single Row Complementary Type H3

For quantities greater than listed, call for quote.

MOUSER STOCK NO.	HARTING Part No.	Fig.	No. of Contacts	Rows Loaded	Style	Termination Type	Pin Length (mm)	Leading* Contact	Price Each		
									1	10	25
Male											
617-09-06-203-2911	09 06 203 2911	C	3	-	Right-Angle	Solder Pins	3	LMC	4,30	3,99	3,76
Female											
617-09-06-203-2811	09 06 203 2811	C	3	-	Straight	Solder Pins	4	-	5,18	4,79	4,52



DIN 41612 ACCESSORIES

For quantities greater than listed, call for quote.

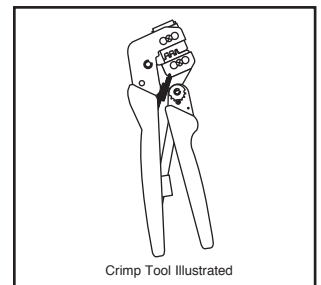
MOUSER STOCK NO.	HARTING Part No.	Description	Price Each			
			1	10	25	50
617-09-03-096-0501	09 03 096 0501	Shell housing C for female connectors types C, D	9,53	8,82	8,34	7,78
617-09-02-000-9919	09 02 000 9919	Left fixing bracket for shell housing C - fits male connectors type B, C, D, E	0,96	0,91	0,872	0,829
617-09-02-000-9920	09 02 000 9920	Right fixing bracket for shell housing C - fits male connectors type B, C, D, E	0,96	0,91	0,872	0,829
617-09-02-000-9902	09 02 000 9902	Left locking lever for shell housing C	1,00	0,95	0,908	0,862
617-09-02-000-9903	09 02 000 9903	Right locking lever for shell housing C	1,03	0,98	0,936	0,889
617-09-02-000-9909	09 02 000 9909	Locking screw for shell housing C	0,33	0,32	0,305	0,29
617-09-02-000-9911	09 02 000 9911	Round cable insert for shell housing C	2,53	2,40	2,28	2,17
617-09-03-000-9969	09 03 000 9969	Pin shroud for 13mm wire wrap pins	2,08	1,91	1,75	1,64
617-09-03-000-9964	09 03 000 9964	Pin shroud for 17mm wire wrap pins	3,57	3,31	3,13	2,91
617-09-06-048-0521	09 06 048 0521	Shell housing D20 for types F, H, and MH 20mm hood width	14,63	13,54	12,80	11,95
* 617-09-06-000-9912	09 06 000 9912	Fixing bracket for Type D right-angle female	1,15	1,06	1,01	0,934
* 617-09-03-000-9914	09 03 000 9914	Locking lever for female connector type C	1,29	1,19	1,13	1,05
* 617-09-03-000-9913	09 03 000 9913	Locking lever for female connector type R	1,40	1,29	1,19	1,13

* Order 2 pcs per connector

DIN 41612 TOOLS

For quantities greater than listed, call for quote.

MOUSER STOCK NO.	HARTING Part No.	Description	Price Each	
			1	5
617-09-99-000-0620	09 99 000 0620	Crimping tool for types BC and FC individual contacts	271,29	241,16
617-09-99-000-0621	09 99 000 0621	Crimp set for individual contacts 28-24 AWG (BC and FC1)	201,14	178,80
617-09-99-000-0622	09 99 000 0622	Crimp set for individual contacts 26-20 AWG (FC 2)	209,18	185,95
617-09-99-000-0623	09 99 000 0623	Crimp set for individual contacts 20-16 AWG (FC 3)	209,18	185,95
617-09-99-000-0630	09 99 000 0630	Spare locator for type BC contacts	60,27	57,26
617-09-99-000-0100	09 99 000 0100	Insertion tool for type BC contacts	22,04	19,58
617-09-99-000-0101	09 99 000 0101	Removal tool for type BC contacts	31,16	29,60
617-09-99-000-0631	09 99 000 0631	Spare locator for types FC contacts	36,56	34,73
617-09-99-000-0088	09 99 000 0088	Insertion tool for types FC contacts	4,12	3,67
617-09-99-000-0087	09 99 000 0087	Removal tool for types FC contacts	3,58	3,17
617-09-99-000-0174	09 99 000 0174	Removal tool for Type M	202,76	192,63

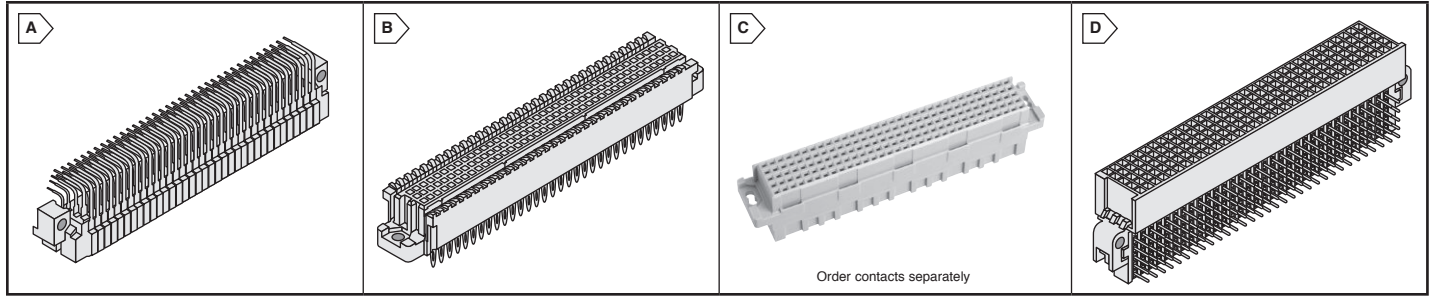


HARTING har-bus® 64 and 2mm Hard Metric Connectors



HAR-BUS® 64 VME64X EXTENSIONS CONNECTOR SYSTEM

- IEC 61 076-4-113
- 100% Backward Compatible to 3 Row 96 pin DIN 41612 Connectors
- Male Pre-leading contacts at positions d1, d2, d31, and d32
- Current rating: 1A (at 70°C and all contacts loaded)
- Contact Plating: Performance Level 1 & 2 plating (acc to DIN41612, part 5)
- Pitch: 2.54mm
- Temperature Range: -55°C to +125°C
- Contact Resistance: Rows a, b, c: ≤20mΩ
Rows z, d: ≤30mΩ
- Moldings: Male connectors LCP
- Female connectors UL94V-0
- Contacts: Copper Alloy
- UL Approved



For quantities greater than listed, call for quote.

MOUSER STOCK NO.	HARTING Part No.	Fig.	VME Location	No. of Rows	No. of Contacts	Contact Gender	Rows Loaded	Style	Term.	Pin Length (mm)	Price Each			
											1	10	25	50
Standard														
* 617-02-01-160-1101	02 01 160 1101	A	P1 or P2	5	160	Male	z, a, b, c, d	Right-Angle	Solder Pins	3.0	24,65	22,18	20,95	19,72
* 617-02-01-160-2101	02 01 160 2101	A	P1 or P2	5	160	Male	z, a, b, c, d	Right-Angle	Solder Pins	3.0	14,39	13,67	12,98	12,33
** 617-02-01-160-2102	02 01 160 2102	A	P1 or P2	5	160	Male	z, a, b, c, d	Right-Angle	Solder Pins	3.0	18,53	16,68	15,75	14,83
617-02-02-160-2201	02 02 160 2201	B	J1	5	160	Female	z, a, b, c, d	Straight	Press-In	5.0	14,79	13,32	12,58	11,84
617-02-02-160-2202	02 02 160 2202	B	-	5	160	Female	z, a, b, c, d	Straight	Press-In	5.0	18,63	16,75	15,83	14,90
617-02-02-160-2301	02 02 160 2301	B	J2	5	160	Female	z, a, b, c, d	Straight	Press-In	17.0	18,51	16,65	15,73	14,81
†† 617-02-05-000-0005	02 05 000 0005	C	-	5	160	Female	a,b,c,d,e	Cable Mount	Crimp Pins	-	8,95	7,99	7,58	7,16
†† 617-02-05-000-0004	02 05 000 0004	C	-	5	160	Female	z,a,b,c,d	Cable Mount	Crimp Pins	-	8,95	8,00	7,58	7,16
†† 617-02-05-000-0003	02 05 000 0003	C	-	5	160	Female	Rev a,b,c,d,e	Cable Mount	Crimp Pins	-	8,95	7,99	7,58	7,16
Standard - SnPb														
617-02011601105	02 01 160 1105	A	P1 or P2	5	160	Male	z, a, b, c, d	Right-Angle	Solder Pins	3.0	58,55	55,24	52,28	49,62
** 617-02011601106	02 01 160 1106	A	P1 or P2	5	160	Male	z, a, b, c, d	Right-Angle	Solder Pins	3.0	60,25	56,84	53,79	51,06
Angled Females Complementary to IEC 61 076-4-113														
* 617-02-04-160-1101	02 04 160 1101	D	-	5	160	Female	z, a, b, c, d	Right-Angle	Solder Pins	2.9	50,51	45,46	42,94	40,41
* 617-02-07-160-1101	02 07 160 1101	D	-	5	160	Female	z, a, b, c, d	Right-Angle	Solder Pins	2.9	95,88	86,28	81,50	76,71

* Performance Level 1 Plating (acc to DIN41612, Part 5) ** With Snap-In Clips † Without Fixing Flange †† Order Contacts Separately

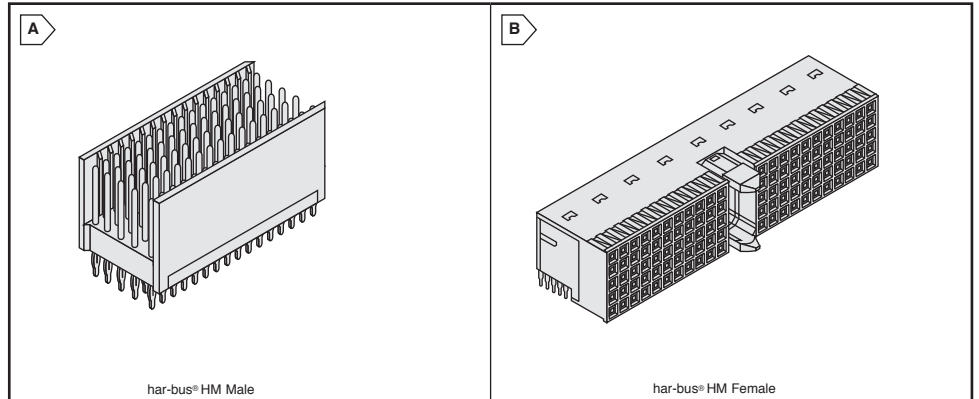
Accessories

For quantities greater than listed, call for quote.

MOUSER STOCK NO.	HARTING Part No.	Description	Price Each
617-02-05-000-1513	02 05 000 1513	Individual Contacts for Female Connectors; PL1; 28-20awg	0,48
617-02-05-000-2513	02 05 000 2513	Individual Contacts for Female Connectors; PL2; 28-20awg	0,43
617-02-05-000-1512	02 05 000 1512	Reel of 500 Contacts for Female Connectors; PL1; 28-20awg	219,25
617-02-05-000-2512	02 05 000 2512	Reel of 500 Contacts for Female Connectors; PL2; 28-20awg	187,15
617-02-44-000-0001	02 44 000 0001	Pin Shroud for rear plug use - 160p - 3.4mm Max PCB Thickness	3,47

HAR-BUS® HM - 2MM HARD METRIC CONNECTORS FOR COMPACT PCI®

- CompactPCI® as a standard is maintained and enhanced by the PICMG
- IEC 61 076-4-101
- Pitch: 2.0mm
- Contact resistance: 20mΩ
- Press in termination
- Temperature range: -55°C to +125°C
- Contact Plating: Performance Level 2 plating (acc to IEC 61 076-4-101)
- UL Approved
- Contacts: Copper Alloy
- Moldings: Thermoplastic resin, glass fiber filled
- Type A includes Multi purpose center for guiding, keying, and polarizing



For quantities greater than listed, call for quote.

MOUSER STOCK NO.	HARTING Part No.	Fig.	CompactPCI® Location	Type	No. of Contacts	Style	Term.	Contact Length (mm)		Price Each			
								Mating Side	Term. Side	1	10	25	50
Male - Compact PCI													
† 617-17-21-110-2102	17 21 110 2102	B	J1 or J4	A	110	Right-Angle	Press In	-	3.4	7,90	7,10	6,73	6,32
† 617-17-25-095-2102	17 25 095 2102	B	J3 or P0	B	95	Right-Angle	Press In	-	3.4	6,98	6,28	5,94	5,59
† 617-17-24-110-2101	17 24 110 2101	B	J2 or J5	B	110	Right-Angle	Press In	-	3.4	6,31	5,98	5,78	5,50
† 617-17-24-110-2102	17 24 110 2102	B	J2 or J5	B	110	Right-Angle	Press In	-	3.4	7,95	7,15	6,77	6,37
† 617-17-23-055-2102	17 23 055 2102	B	-	C	55	Right-Angle	Press In	-	3.4	4,71	4,25	4,01	3,78

* For VME Applications
** Compact PCI and Compact PCI Hot Swap
† With upper shield, lower shield available upon request

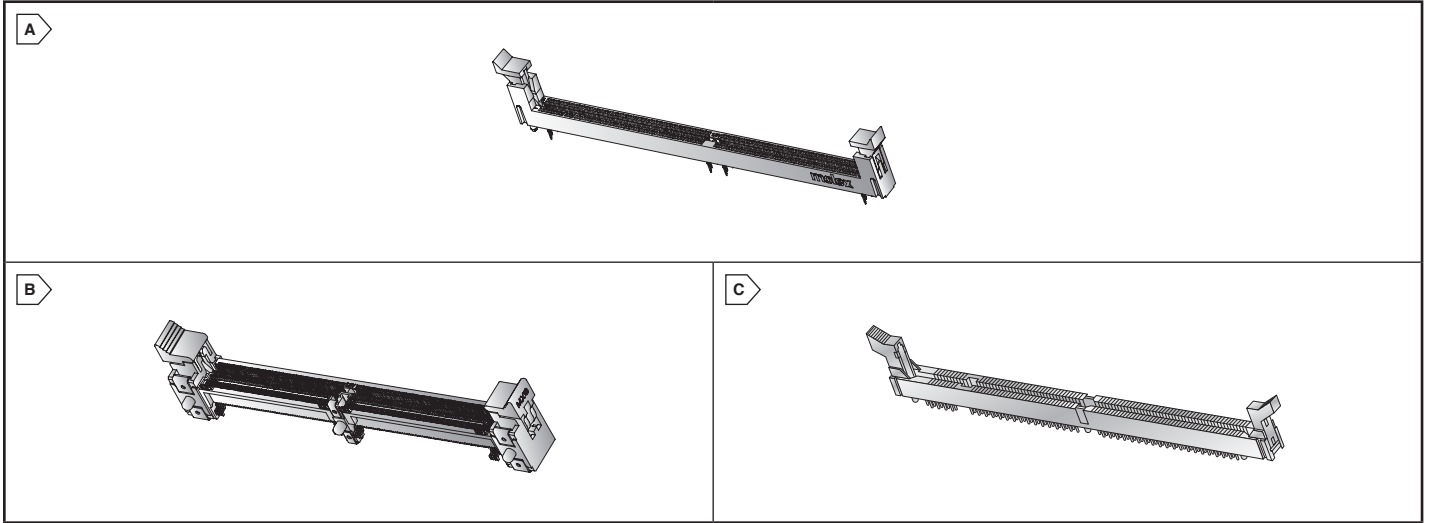
© Copyright 2012 Mouser Electronics

MOLEX DIMM Sockets



This product is RoHS compliant.

molex
one company • a world of innovation



DDR3 SOCKETS

Features:

- Data Rates: 800Mbps - 1.6Gbps
- Voltage Key: 1.5V
- Complies with all JEDEC standards



RoHS Compliant

For quantities greater than listed, call for quote.

MOUSER STOCK NO.	Molex Part No.	Fig.	Description	Contact Area Finish	Tail Length	PCB Thickness	Latch Color	Housing Color	Price Each					
									1	10	25	50		
DDR3 DIMM - 1.00mm pitch - 240 circuits														
538-78079-0001	78079-0001	A	Vertical, Thru-hole, 1.5V key	15Au	2.67mm	1.57mm	Black	Black	9,75	9,44	8,91	8,11		
538-78321-0011	78321-0011	A	Vertical, Thru-hole, 1.5V key	30Au	2.67mm	1.57mm	Black	Black	5,20	5,15	5,10	4,99		
538-78156-0001	78156-0001	A	Vertical, SMT, 1.5V key	30Au	-	1.57mm	Black	Black	10,83	10,74	9,88	9,02		
538-78294-0001	78294-0001	A	Vertical, Press-fit, 1.5V key	30Au	3.30mm	3.30mm	Black	Black	11,13	10,74	9,88	9,09		
538-78315-0001	78315-0001	A	Vertical, Press-fit, 1.5V key	30Au	1.85mm	2.40mm	Black	Black	11,05	10,67	10,13	9,20		
DDR3 Mini DIMM - 0.6mm pitch - 244 circuits														
538-87782-3003	87782-3003	B	Vertical, SMT, 1.5V key	30Au	-	-	Off-White	Black	24,92	23,95	22,83	20,76		
538-87918-0301	87918-0301	B	Right angle, SMT 1.5V key	30Au	-	-	Off-White	Black	34,96	31,78	28,93	26,35		
538-78001-3344	78001-3344	B	Reverse right angle, SMT 1.5V key	30Au	-	-	Off-White	Black	36,05	31,78	28,65	26,63		
538-87783-0301	87783-0301	B	22.5° angle, SMT, 1.5V key	30Au	-	-	Off-White	Black	27,73	25,35	22,79	20,50		
538-78035-0301	78035-0301	B	22.5° reverse angle, SMT, 1.5V key	30Au	-	-	Off-White	Black	30,12	27,10	24,40	21,95		

DDR2 SOCKETS

Features:

- Data Rates: 400Mbps - 800Mbps
- Voltage Key: 1.8V
- Complies with all JEDEC standards



RoHS Compliant

For quantities greater than listed, call for quote.

MOUSER STOCK NO.	Molex Part No.	Fig.	Description	Contact Area Finish	Tail Length	PCB Thickness	Latch Color	Housing Color	Price Each					
									1	10	25	50		
DDR2 DIMM - 1.00mm pitch - 240 circuits														
538-87705-1021	87705-1021	A	Vertical, Thru-hole, 1.8V key	15Au	3.18mm	2.40mm	Beige	Black	7,19	6,51	6,01	5,44		
538-87705-0021	87705-0021	A	Vertical, Thru-hole, 1.8V key	15Au	2.67mm	1.60mm	Beige	Black	5,98	5,68	5,40	5,13		
538-87978-1051	87978-1051	A	Vertical, Thru-hole, 1.8V key	30Au	3.18mm	2.40mm	Black	Black	7,48	6,89	6,34	5,83		
538-87705-1051	87705-1051	A	Vertical, Thru-hole, 1.8V key	30Au	3.18mm	2.40mm	Beige	Black	8,63	8,05	7,90	7,16		
538-78065-8001	78065-8001	A	Vertical, Press-fit, 1.8V key	30Au	3.30mm	3.60mm	Black	Black	10,58	9,51	7,72	7,36		
538-87746-9011	87746-9011	A	Vertical, Press-fit, 1.8V key	30Au	3.30mm	3.60mm	Beige	Black	13,01	12,55	11,93	10,84		
538-87746-9001	87746-9001	A	Vertical, Press-fit, 1.8V key	15Au	3.30mm	3.60mm	Off-White	Black	12,97	11,78	10,63	9,79		
538-87966-0001	87966-0001	A	Vertical, SMT, 1.8V key	30Au	-	1.60mm	Black	Black	13,46	12,18	11,26	10,18		
538-87803-0002	87803-0002	A	25° angle, Thru-hole, 1.8V key	15Au	2.79mm	1.60mm	Off-White	Black	8,74	8,40	8,01	7,28		
538-87803-0012	87803-0012	A	25° angle, Thru-hole, 1.8V key	15Au	3.18mm	2.40mm	Off-White	Black	13,83	13,40	12,67	11,52		
538-87803-0112	87803-0112	A	25° angle, Thru-hole, 1.8V key	30Au	3.18mm	2.40mm	Off-White	Black	23,70	21,92	20,14	19,15		
DDR2 Mini DIMM - 0.6mm pitch - 244 circuits														
538-87918-0001	87918-0001	B	Right angle, SMT 1.8V key	30Au	-	-	Off-White	Black	24,70	23,99	22,64	20,58		
538-78001-1244	78001-1244	B	Reverse right angle, SMT 1.8V key	30Au	-	-	Off-White	Black	24,70	24,12	22,64	20,58		
538-87783-0001	87783-0001	B	22.5° angle, SMT, 1.8V key	30Au	-	-	Off-White	Black	22,45	20,87	20,00	18,70		

DDR SOCKETS

Features:

- Data Rates: up to 400Mbps
- Voltage Key: 2.5V
- Complies with all JEDEC standards



RoHS Compliant

For quantities greater than listed, call for quote.

MOUSER STOCK NO.	Molex Part No.	Fig.	Description	Contact Area Finish	Tail Length	PCB Thickness	Latch Color	Housing Color	Price Each					
									1	10	25	50		
DDR DIMM - 1.27mm pitch - 184 circuits														
538-87636-2002	87636-2002	C	Vertical, Thru-hole, 2.5V key left	15Au	3.23mm	2.40mm	Beige	Black	6,33	5,72	5,57	5,03		
538-87636-2012	87636-2012	C	Vertical, Thru-hole, 2.5V key left	15Au	2.67mm	1.60mm	Beige	Black	5,10	4,58	4,31	4,12		

© Copyright 2012 Mouser Electronics

**All Prices
In EURO**

© Copyright 2012 Mouser Electronics

MOLEX Card Edge Connectors

RoHS Compliant **This product is RoHS compliant.**

PCI EXPRESS™ MINICARD CONNECTOR

Features:

- Meets PCI Express® Mini Card Electromechanical Specification Revision 1.2
- Low profile (Low mounted height)
- Polarization key

Specifications:

- Voltage (max.): 50V AC
- Current (max.): 0.5A
- Housing: LCP, 35% Glass-filled, UL94V-0, Black
- Withstanding Voltage: 300V AC

Applications:

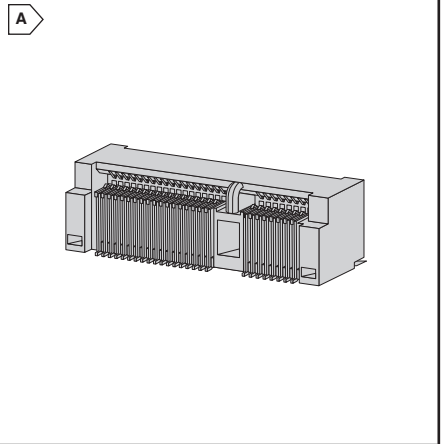
- Notebook
- Wireless Adapters
- Bluetooth interfaces
- Ethernet Adapters
- Modems
- High-speed Network Interfaces



RoHS Compliant

For quantities greater than listed, call for quote.

MOUSER STOCK NO.	Molex Part No.	Fig.	Description	Circuits	Pitch mm (in.)	Height mm (in.)	Price Each		
							1	10	100
538-48338-0040	48338-0040	A	Right Angle, SMT with pegs	52	0.80 (.031)	4.00 (.157)	1,46	1,33	1,27
538-48338-0052	48338-0052	A	Right Angle, SMT with pegs	52	0.80 (.031)	5.20 (.220)	1,46	1,33	1,27
538-48338-0056	48338-0056	A	Right Angle, SMT with pegs	52	0.80 (.031)	5.60 (.220)	1,46	1,33	1,27
538-48338-0057	48338-0057	A	Right Angle, SMT with pegs	52	0.80 (.031)	5.75 (.226)	1,49	1,36	1,30
538-48338-0065	48338-0065	A	Right Angle, SMT with pegs	52	0.80 (.031)	6.50 (.256)	1,65	1,49	1,42
538-48338-0068	48338-0068	A	Right Angle, SMT with pegs	52	0.80 (.031)	6.80 (.268)	1,65	1,49	1,42
538-48338-0070	48338-0070	A	Right Angle, SMT with pegs	52	0.80 (.031)	7.00 (.276)	1,65	1,49	1,42
538-48338-0075	48338-0075	A	Right Angle, SMT with pegs	52	0.80 (.031)	7.50 (.295)	2,28	2,05	1,61
538-48338-0080	48338-0080	A	Right Angle, SMT with pegs	52	0.80 (.031)	8.00 (.315)	2,33	2,11	1,66
538-48338-0085	48338-0085	A	Right Angle, SMT with pegs	52	0.80 (.031)	8.50 (.335)	2,33	2,11	1,66
538-48338-0099	48338-0099	A	Right Angle, SMT with pegs	52	0.80 (.031)	9.90 (.390)	2,39	2,15	1,70



PCI EXPRESS™ CARDEDGE CONNECTORS

Features:

- Complies with the PCI SIG spec
- Supports 2.5Gbps data transfer rate
- Scalable modular design
- Enables hot plug and hot swap
- Lead Free
- Top Entry

Specifications:

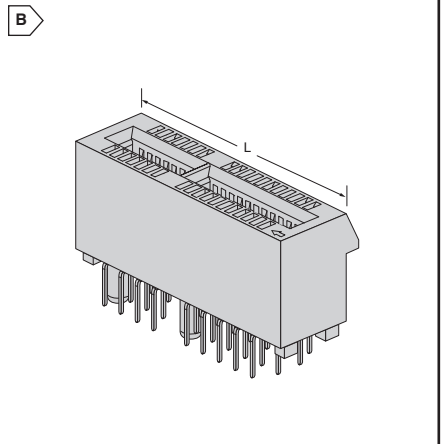
- Pitch: 1.00mm (.039")
- Current: 1.1A
- Voltage: 50V
- Housing Material: Nylon 4/6, glass-filled, UL94V-0
- Color: Black
- Contact: Phosphor Bronze



RoHS Compliant

For quantities greater than listed, call for quote.

MOUSER STOCK NO.	Molex Part No.	Fig.	Description	Circuits	Dimension L (mm)	Tail Length	Price Each			
							1	10	25	50
15µ" Gold Contact Plating										
538-87715-9005	87715-9005	B	Vertical, Thru-hole with plastic pegs	36	25	3.0mm	1,13	1,07	1,02	0,969
538-87715-9105	87715-9105	B	Vertical, Thru-hole with plastic pegs	64	39	3.0mm	1,68	1,63	1,58	1,54
538-87715-9205	87715-9205	B	Vertical, Thru-hole with plastic pegs	98	56	3.0mm	3,72	3,59	3,40	3,10
538-87715-9305	87715-9305	B	Vertical, Thru-hole with plastic pegs	164	89	3.0mm	4,31	4,09	3,89	3,69
30µ" Gold Contact Plating										
538-87715-9006	87715-9006	B	Vertical, Thru-hole with plastic pegs	36	25	2.54mm	1,57	1,49	1,43	1,31
538-87715-9106	87715-9106	B	Vertical, Thru-hole with plastic pegs	64	39	2.54mm	2,29	2,19	2,10	1,90
538-87715-9206	87715-9206	B	Vertical, Thru-hole with plastic pegs	98	56	2.54mm	3,72	3,59	3,40	3,10
538-87715-9306	87715-9306	B	Vertical, Thru-hole with plastic pegs	164	89	2.54mm	5,45	5,28	4,98	4,53



.75MM AMC B+ CONNECTORS

Features:

- Transmission Speed: up to 10 Gbps
- Meets PICMG AMC.0 Rev 1 spec

Specifications:

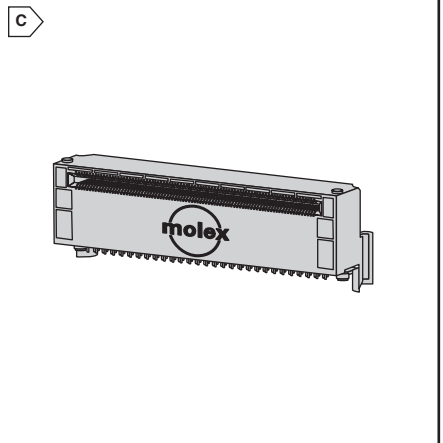
- Voltage: 30V
- Current: 0.5A max
- Mating PCB Thickness: 2.40mm (.093")
- Housing: High Temp Thermoplastic



RoHS Compliant

For quantities greater than listed, call for quote.

MOUSER STOCK NO.	Molex Part No.	Fig.	Number of Circuits	Termination Style	Contact Area Plating	PC Tail Plating	Height	Price Each			
								1	10	25	100
538-75800-0001	75800-0001	C	170	Press-Fit	Gold	Tin	21.85mm	63,38	52,79	50,85	49,29



.75MM MICROTCA CONNECTORS

Features:

- Transmission Speed: up to 12.5 Gbps
- Stitched contact design

Specifications:

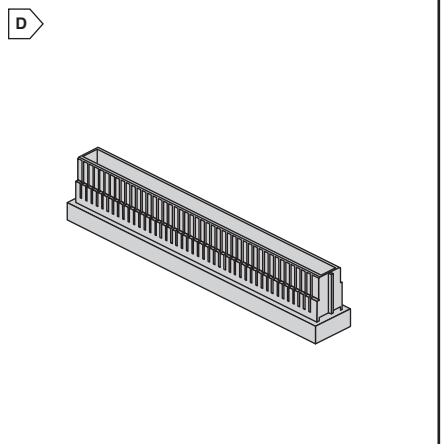
- Mating PCB Thickness: 1.57mm (.062")
- Housing: Glass Filled Thermoplastic
- Current: 1.5A max
- Voltage: 250VAC max



RoHS Compliant

For quantities greater than listed, call for quote.

MOUSER STOCK NO.	Molex Part No.	Fig.	Number of Circuits	Termination Style	Contact Area Plating	PC Tail Plating	Height	Price Each			
								1	10	25	100
538-75594-0000	75594-0000	D	170	Press-Fit	Gold	Tin	12.31mm	23,71	22,51	20,65	18,65



MOLEX Backplane Connectors

molex
one company > a world of innovation

RoHS Compliant This product is RoHS compliant.



VHDM® H-SERIES BACKPLANE CONNECTORS

Specifications:

- Housing: Liquid Crystal Polymer, UL94V-0
- Contact: Copper (Cu) Alloy
- Signal Contact: 1.0A
- Shield Contact (6 Row): 2.0A
- Shield Contact (8 Row): 3.0A
- Power Blade: 10.0A
- Operating Temperature: -55°C to +85°C

For quantities greater than listed, call for quote.

MOUSER STOCK NO.	Molex Part No.	Fig.	No. Of Circuits	No. of Rows / Columns	Configuration	Price Each			
						1	10	25	50
6 Row Backplane Headers									
538-76761-9001	76761-9001	A	60	6 x 10	Signal End - Guide Left	14,75	13,88	13,35	12,57
538-76761-8501	76761-8501	A	150	6 x 25	Signal End - Guide Left	25,16	24,31	23,43	22,64
538-76762-9001	76762-9001	B	60	6 x 10	Shield End - Guide Right	14,75	13,88	13,35	12,57
538-76762-8501	76762-8501	B	150	6 x 25	Shield End - Guide Right	25,16	24,31	23,49	22,64
538-76763-9001	76763-9001	C	60	6 x 10	Open	14,27	13,19	12,68	11,83
538-76763-8501	76763-8501	C	150	6 x 25	Open	22,94	22,18	21,49	20,64
8 Row Backplane Headers									
538-76135-9001	76135-9001	A	80	8 x 10	Signal End - Guide Left	16,36	15,40	14,71	13,95
538-76135-8501	76135-8501	A	200	8 x 25	Signal End - Guide Left	29,33	28,34	27,50	26,39
538-76136-9001	76136-9001	B	80	8 x 10	Shield End - Guide Right	16,36	15,40	14,71	13,95
538-76136-8501	76136-8501	B	200	8 x 25	Shield End - Guide Right	29,33	28,34	27,50	26,39
538-76134-9001	76134-9001	C	80	8 x 10	Open	14,45	13,60	12,96	12,33
538-76134-8501	76134-8501	C	200	8 x 25	Open	27,52	26,59	25,76	24,76

I-TRAC™ BACKPLANE HEADERS

The I-Trac™ Backplane Connector System from Molex Incorporated features a broadside-coupled, skew equalized design capable of data rates of 12 Gbps. With its multiple benefits, including superior impedance control, lower cross-talk and higher overall bandwidth designed for both traditional and orthogonal architectures, I-Trac meets the growing demands of the next generation telecommunications and data networking equipment manufacturers. The I-Trac connector system is currently available from Molex in 7, 11 and 15-row versions, with a complete breadth of guidance and power options. Call Mouser Sales for additional info on the 7 and 15 row versions.

Specifications:

- Housing Material: Liquid Crystal Polymer (LCP)
- Glass-filled, UL94V-0
- Terminals: High Performance Copper Alloy
- Dielectric Withstanding Voltage: 750 Volts RMS
- Current and Temperature Rating:
- Signal Contact: 1 Amp per contact
- Maximum Operating Temperature: 105°C

For quantities greater than listed, call for quote.

MOUSER STOCK NO.	Molex Part No.	Fig.	No. Of Circuits	No. of Rows / Columns	Guide	Style	Price Each			
							1	10	25	50
538-75705-1503	75705-1503	D	110	11 x 5	Unguided	Open Ends	10,23	9,35	8,54	7,81
538-75705-1603	75705-1603	D	132	11 x 6	Unguided	Open Ends	12,28	11,17	10,21	9,63
538-75705-1103	75705-1103	D	220	11 x 10	Unguided	Open Ends	15,13	13,83	13,35	12,98
538-75705-3503	75705-3503	E	110	11 x 5	Left Guide	Right Open	12,22	11,17	10,21	9,63
538-75705-3603	75705-3603	E	132	11 x 6	Left Guide	Right Open	12,42	11,35	10,77	10,37
538-75705-3103	75705-3103	E	220	11 x 10	Left Guide	Right Open	18,22	16,69	15,26	14,20
538-75705-5503	75705-5503	F	110	11 x 5	Right Guide	Left Open	12,22	11,17	10,21	9,63
538-75705-5603	75705-5603	F	132	11 x 6	Right Guide	Left Open	12,42	11,35	10,77	10,37
538-75705-5103	75705-5103	F	220	11 x 10	Right Guide	Left Open	16,60	15,17	14,76	14,25
538-75705-7503	75705-7503	G	110	11 x 5	Left Guide	Right Endwall	12,22	11,17	10,21	9,63
538-75705-7603	75705-7603	G	132	11 x 6	Left Guide	Right Endwall	12,42	11,35	10,77	10,37
538-75705-7103	75705-7103	G	220	11 x 10	Left Guide	Right Endwall	16,60	15,17	14,76	14,25
538-75705-9503	75705-9503	H	110	11 x 5	Right Guide	Left Endwall	12,22	11,17	10,21	9,32
538-75705-9603	75705-9603	H	132	11 x 6	Right Guide	Left Endwall	12,42	11,35	10,77	10,37
538-75705-9103	75705-9103	H	220	11 x 10	Right Guide	Left Endwall	16,60	15,17	14,76	14,25
538-75705-1523	75705-1523	I	110	11 x 5	Unguided	Dual Endwall	10,56	9,90	9,47	8,93
538-75705-1623	75705-1623	I	132	11 x 6	Unguided	Dual Endwall	10,97	10,03	9,16	8,60
538-75705-1123	75705-1123	I	220	11 x 10	Unguided	Dual Endwall	15,37	14,05	13,56	13,16

I-TRAC™ DAUGHTERCARD RECEPTACLES

Specifications:

- Housing Material: Liquid Crystal Polymer (LCP)
- Glass-filled, UL94V-0
- Terminals: High Performance Copper Alloy
- Dielectric Withstanding Voltage: 750 Volts RMS
- Current and Temperature Rating:
- Signal Contact: 1 Amp per contact
- Maximum Operating Temperature: 105°C



RoHS Compliant

For quantities greater than listed, call for quote.

MOUSER STOCK NO.	Molex Part No.	Fig.	No. Of Circuits	No. of Rows / Columns	Guide	Price Each			
						1	10	25	50
538-75710-1005	75710-1005	J	110	11 x 5	Unguided	13,34	12,19	11,53	10,94
538-75710-1006	75710-1006	J	132	11 x 6	Unguided	15,98	14,60	13,36	12,20
538-75710-1010	75710-1010	J	220	11 x 10	Unguided	24,10	22,04	21,26	20,49
538-75710-3005	75710-3005	K	110	11 x 5	Left Guide	14,50	13,26	12,62	11,83
538-75710-3006	75710-3006	K	132	11 x 6	Left Guide	29,56	27,44	25,01	24,40
538-75710-3010	75710-3010	K	220	11 x 10	Left Guide	25,10	23,03	21,77	20,83
538-75710-5005	75710-5005	L	110	11 x 5	Right Guide	14,50	13,26	12,62	11,83
538-75710-5006	75710-5006	L	132	11 x 6	Right Guide	29,56	27,44	25,01	24,40
538-75710-5010	75710-5010	L	220	11 x 10	Right Guide	45,53	43,22	42,08	41,50

TOOLING



RoHS Compliant

For quantities greater than listed, call for quote.

MOUSER STOCK NO.	Molex Part No.	Description	Price Each
538-62201-8601	62201-8601	Press Fit tool for 11 x 5 header	413,91
538-62201-8602	62201-8602	Press Fit tool for 11 x 6 header	413,91
538-62201-8603	62201-8603	Press Fit tool for 11 x 10 header	469,10
538-62201-8604	62201-8604	Press Fit tool for 11 x 5 receptacle	76,46
538-62201-8605	62201-8605	Press Fit tool for 11 x 6 receptacle	76,46
538-62201-8606	62201-8606	Press Fit tool for 11 x 10 receptacle	114,69

© Copyright 2012 Mouser Electronics

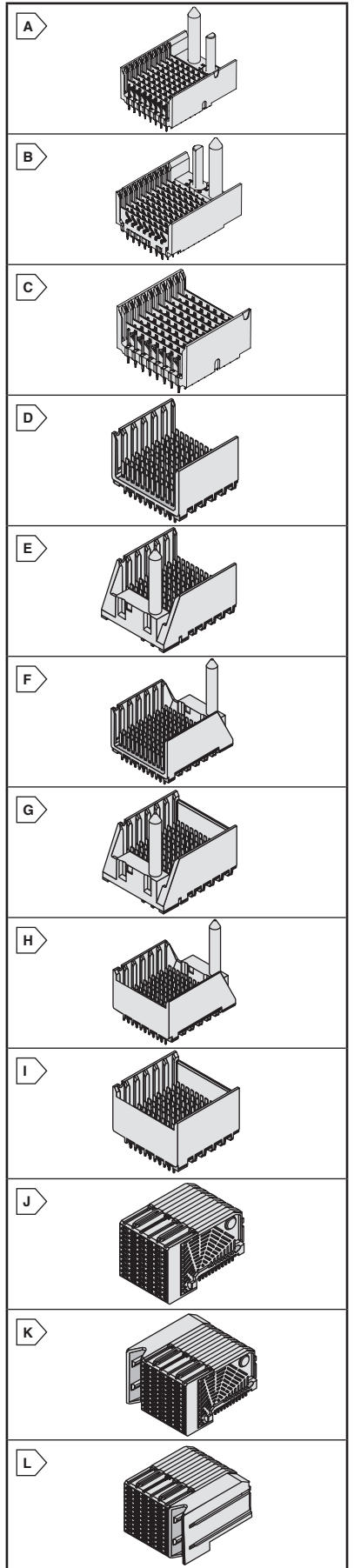
1290

mouser.com/molex

All Prices
In EURO

EUsales@mouser.com

© Copyright 2012 Mouser Electronics



AMPHENOL AT Series™ Connectors

Amphenol®

RoHS Compliant This page of product is compliant.

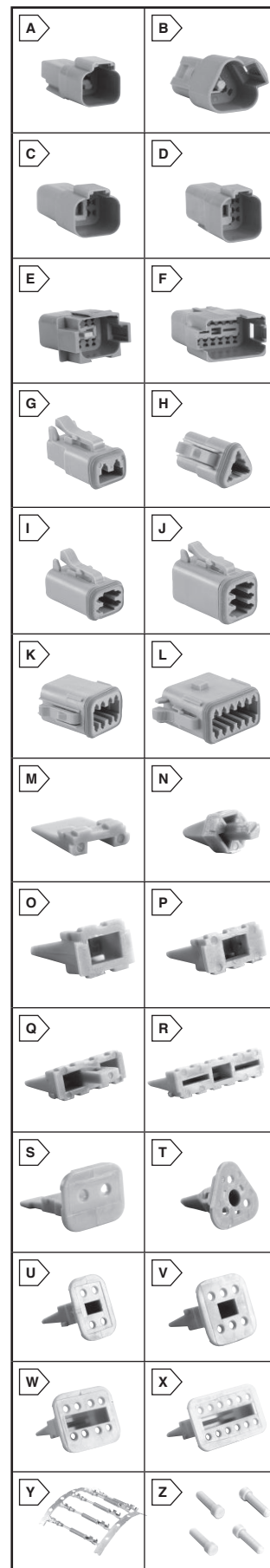
AT SERIES™

Amphenol's AT Series™ connectors were designed as a high-performance, cost-effective solution to be used within the Heavy Equipment, Agricultural, Automotive, Military, Alternative Energy, and other demanding interconnect architectures. All of the AT Series® connectors have been developed to be completely compatible with all other existing standard products industry-wide.

Features:

- Housings are a thermoplastic material that is durable and has excellent UV resistance, dielectric/mechanical properties
- Sealing system is comprised of a front and rear silicone, multi-sealing, perimeter against environmental ingress

MOUSER STOCK NO.	Amphenol Part No.	Fig.	Description	Price Each			
				1	100	500	1000
Receptacles							
654-AT04-2P	AT04-2P	A	2 Position	0,51	0,38	0,361	0,257
654-AT04-2P-EC01	AT04-2P-EC01	A	2 Position, End Cap	0,76	0,57	0,542	0,399
654-AT04-2P-RD01	AT04-2P-RD01	A	2 Position, Reduced Diameter Seal	0,67	0,599	0,57	0,475
654-AT04-2P-MM01	AT04-2P-MM01	A	2 Position, Reduced Diameter Seal, End Cap	0,99	0,893	0,855	0,703
654-AT04-3P	AT04-3P	B	3 Position	0,61	0,466	0,437	0,323
654-AT04-3P-EC01	AT04-3P-EC01	B	3 Position with End Cap	0,94	0,713	0,675	0,599
654-AT04-3P-RD01	AT04-3P-RD01	B	3 Position, Reduced Diameter Seal	0,87	0,76	0,732	0,587
654-AT04-3P-MM01	AT04-3P-MM01	B	3 Position, Reduced Diameter Seal with End Cap	1,28	1,11	1,06	0,846
654-AT04-4P	AT04-4P	C	4 Position	0,82	0,618	0,589	0,437
654-AT04-4P-EC01	AT04-4P-EC01	C	4 Position with End Cap	1,07	0,836	0,76	0,694
654-AT04-4P-RD01	AT04-4P-RD01	C	4 Position, Reduced Diameter Seal	1,13	0,988	0,931	0,751
654-AT04-4P-MM01	AT04-4P-MM01	C	4 Position, Reduced Diameter Seal with End Cap	1,59	1,38	1,32	1,06
654-AT04-6P	AT04-6P	D	6 Position	1,13	0,874	0,798	0,646
654-AT04-6P-EC01	AT04-6P-EC01	D	6 Position with End Cap	1,56	1,21	1,10	0,893
654-AT04-6P-RD01	AT04-6P-RD01	D	6 Position, Reduced Diameter Seal	1,30	1,18	1,12	1,10
654-AT04-6P-MM01	AT04-6P-MM01	D	6 Position, Reduced Diameter Seal with End Cap	1,75	1,59	1,51	1,48
654-AT04-08PA	AT04-08PA	E	8 Position A Key	1,52	1,16	1,08	0,88
654-AT04-08PA-EC01	AT04-08PA-EC01	E	8 Position, Key A with End Cap	1,95	1,51	1,39	1,12
654-AT04-08PA-RD01	AT04-08PA-RD01	E	8 Position, Key A, Reduced Diameter Seal	1,86	1,69	1,62	1,45
654-AT04-08PA-MM01	AT04-08PA-MM01	E	8 Position, Key A, Reduced Diameter Seal with End Cap	2,35	2,13	2,03	1,83
654-AT04-12PA	AT04-12PA	F	12 Position A Key	2,10	1,63	1,49	1,21
654-AT04-12PA-EC01	AT04-12PA-EC01	F	12 Position, Enhanced A Key with End Cap	2,26	1,88	1,69	1,50
654-AT04-12PA-RD01	AT04-12PA-RD01	F	12 Position, Enhanced A Key, Reduced Diameter Seal	2,65	2,40	2,30	1,97
654-AT04-12PA-MM01	AT04-12PA-MM01	F	12 Position, Enhanced A Key, Reduced Diameter Seal with End Cap	3,19	2,90	2,76	2,37
Plugs							
654-AT06-2S	AT06-2S	G	2 Position	0,60	0,447	0,418	0,301
654-AT06-2S-EC01	AT06-2S-EC01	G	2 Position with End Cap	0,84	0,637	0,599	0,447
654-AT06-2S-RD01	AT06-2S-RD01	G	2 Position, Reduced Diameter Seal	0,81	0,703	0,675	0,542
654-AT06-2S-MM01	AT06-2S-MM01	G	2 Position, Reduced Diameter Seal with End Cap	1,16	1,01	0,96	0,77
654-AT06-3S	AT06-3S	H	3 Position	0,69	0,523	0,494	0,361
654-AT06-3S-EC01	AT06-3S-EC01	H	3 Position with End Cap	1,03	0,779	0,732	0,542
654-AT06-3S-RD01	AT06-3S-RD01	H	3 Position, Reduced Diameter Seal	0,98	0,846	0,808	0,646
654-AT06-3S-MM01	AT06-3S-MM01	H	3 Position, Reduced Diameter Seal with End Cap	1,38	1,20	1,15	0,912
654-AT06-4S	AT06-4S	I	4 Position	0,89	0,675	0,646	0,475
654-AT06-4S-EC01	AT06-4S-EC01	I	4 Position with End Cap	1,15	0,893	0,817	0,656
654-AT06-4S-RD01	AT06-4S-RD01	I	4 Position, Reduced Diameter Seal	1,23	1,06	1,02	0,808
654-AT06-4S-MM01	AT06-4S-MM01	I	4 Position, Reduced Diameter Seal with End Cap	1,68	1,46	1,40	1,12
654-AT06-6S	AT06-6S	J	6 Position	1,17	0,912	0,836	0,675
654-AT06-6S-EC01	AT06-6S-EC01	J	6 Position with End Cap	1,60	1,24	1,14	0,922
654-AT06-6S-RD01	AT06-6S-RD01	J	6 Position, Reduced Diameter Seal	1,72	1,49	1,43	1,15
654-AT06-6S-MM01	AT06-6S-MM01	J	6 Position, Reduced Diameter Seal with End Cap	2,29	1,99	1,90	1,53
654-AT06-08SA	AT06-08SA	K	8 Position Key A	2,07	1,62	1,47	1,33
654-AT06-08SA-EC01	AT06-08SA-EC01	K	8 Position, Key A with End Cap	2,22	1,84	1,66	1,47
654-AT06-08SA-RD01	AT06-08SA-RD01	K	8 Position, Key A, Reduced Diameter Seal	1,96	1,78	1,69	1,64
654-AT06-08SA-MM01	AT06-08SA-MM01	K	8 Position, Key A, Reduced Diameter Seal with End Cap	2,34	2,12	2,02	1,95
654-AT06-12SA	AT06-12SA	L	12 Position Key A	2,11	1,83	1,65	1,47
654-AT06-12SA-EC01	AT06-12SA-EC01	L	12 Position, Key A with End Cap	2,49	2,17	1,96	1,74
654-AT06-12SA-MM01	AT06-12SA-MM01	L	12 Position, Key A, Reduced Diameter Seal with End Cap	2,58	2,34	2,23	2,13
Wedges							
654-AW2P	AW2P	M	2 Position Receptacle Wedge	0,10	0,076	0,067	0,048
654-AW3P	AW3P	N	3 Position Receptacle Wedge	0,09	0,076	0,067	0,049
654-AW4P	AW4P	O	4 Position Receptacle Wedge	0,15	0,114	0,105	0,075
654-AW6P	AW6P	P	6 Position Receptacle Wedge	0,18	0,143	0,133	0,095
654-AW8P	AW8P	Q	8 Position Receptacle Wedge	0,23	0,172	0,153	0,111
654-AW12P	AW12P	R	12 Position Receptacle Wedge	0,23	0,172	0,153	0,111
654-AW2S	AW2S	S	2 Position Plug Wedge	0,10	0,086	0,076	0,059
654-AW3S	AW3S	T	3 Position Plug Wedge	0,12	0,086	0,076	0,059
654-AW4S	AW4S	U	4 Position Plug Wedge	0,19	0,143	0,124	0,117
654-AW6S	AW6S	V	6 Position Plug Wedge	0,18	0,152	0,124	0,102
654-AW8S	AW8S	W	8 Position Plug Wedge	0,23	0,181	0,162	0,118
654-AW12S	AW12S	X	12 Position Plug Wedge	0,23	0,171	0,152	0,111
Contacts and Seal							
654-AT60-220-1231	AT60-220-123	Y	Male, Machined 12-14 AWG, Gold	0,64	0,485	0,456	0,341
654-AT60-14-0122	AT60-14-0122	Y	Male, Stamped & Formed 14-16 AWG, Nickel	0,13	0,105	0,097	0,085
654-AT60-16-0122	AT60-16-0122	Y	Male, Stamped & Formed 16-18 AWG, Nickel	0,13	0,105	0,097	0,085
654-AT60-16-0622	AT60-16-0622	Y	Male, Stamped & Formed 18-20 AWG, Nickel	0,18	0,133	0,124	0,112
654-AT60-202-16141	AT60-202-16141	Y	Male, Machined, Military Style, Size 16, 16-20 AWG, Nickel	0,38	0,295	0,276	0,238
654-AT62-210-1231	AT62-210-123	Y	Female, Machined 12-14 AWG, Gold	0,83	0,627	0,599	0,437
654-AT62-14-0122	AT62-14-0122	Y	Female, Stamped & Formed 14-16 AWG, Nickel	0,25	0,19	0,181	0,162
654-AT62-16-0122	AT62-16-0122	Y	Female, Stamped & Formed 16-18 AWG, Nickel	0,25	0,19	0,181	0,162
654-AT62-201-16141	AT62-201-16141	Y	Female, Machined, Military Style, Size 16, 16-20 AWG, Nickel	0,46	0,352	0,323	0,285
654-A114017	A114017	Z	Blank Seal 16 AWG	0,07	0,057	0,048	0,033



Automotive
Amphenol

FCI Automotive Connectors



This product is RoHS compliant.



APEX 150 (1.5MM) CONNECTORS

Features:

- Circumferential interface seal
- Wire accommodation range: 22 AWG (.35mm²)
- Mat seal design
- Terminal Position Assurance (TPA) device to detect partially installed terminals
- USCAR 'on engine' performance standard suitable for harsh environments
- Sealing Protection: IP68
- Temperature range: -40°C to +125°C
- Current Rating: 25 Amps
- 3.5mm pitch

*2.8mm Cavity Plugs to be used w/ 14 & 24 contacts Hybrid & Ergomate Connectors

For quantities greater than listed, call for quote.

MOUSER STOCK NO.	FCI Part No.	Fig.	No. of Contacts	Description	Color	Price Each			
						1	25	50	100
Male Housing									
649-54241000	54241000	A	10	Sealed, Index A	Black	3,20	3,02	2,85	2,68
649-54241001	54241001	A	10	Sealed, Index B	Gray	3,11	2,93	2,76	2,60
649-54241600	54241600	A	16	Sealed, Index A	Black	3,11	2,93	2,76	2,60
649-54241601	54241601	A	16	Sealed, Index B	Gray	3,11	2,93	2,76	2,60
649-54251400	54251400	B	14	Hybrid, Sealed, Index A	Black	4,39	4,13	3,89	3,67
649-54251401	54251401	B	14	Hybrid, Sealed, Index B	Gray	3,01	2,84	2,67	2,52
649-F254000	F254000	B	24	Hybrid, ErgoMate, Sealed, Index A	Black	6,25	5,90	5,56	5,24
Female Housing									
649-54241030	54241030	C	10	Sealed, Index A w/CPA	Black	3,70	3,48	3,28	3,09
649-54241031	54241031	C	10	Sealed, Index B w/CPA	Gray	3,80	3,58	3,37	3,18
649-54241630	54241630	C	16	Sealed, Index A w/CPA	Black	3,89	3,67	3,46	3,26
649-54241631	54241631	C	16	Sealed, Index B w/CPA	Gray	4,09	3,85	3,63	3,42
649-55251400	55251400	D	14	Hybrid, Sealed, Index A w/CPA	Black	3,20	3,02	2,85	2,68
649-55251401	55251401	D	14	Hybrid, Sealed, Index B w/CPA	Gray	3,40	3,20	3,02	2,85
649-F934000	F934000	D	24	Hybrid, ErgoMate, Sealed, Index A w/CPA	Black	8,91	8,40	7,92	7,47
Seal Plugs									
649-54241629	54241629	---	---	1.5mm Cavity Seal Plug	---	1,05	0,982	0,924	0,866
* 649-54240002	54240002	---	---	2.8mm Seal Plug, Female Side	---	1,05	0,982	0,924	0,866
* 649-54240003	54240003	---	---	2.8mm Seal Plug, Male Side	---	1,05	0,982	0,924	0,866

Terminals

For quantities greater than listed, call for quote.

MOUSER STOCK NO.	FCI Part No.	Fig.	Gender	Terminal Size	Plating	Price Each			
						1	25	50	100
649-54001625	54001625	G	Female	1.5mm	Tin	0,75	0,701	0,66	0,619
649-54001627	54001627	G	Female	1.5mm	Gold	1,34	1,26	1,19	1,11
649-54001626	54001626	H	Male	1.5mm	Tin	0,75	0,701	0,66	0,619
649-54001628	54001628	H	Male	1.5mm	Gold	1,14	1,07	1,01	0,949

Tools

For quantities greater than listed, call for quote.

MOUSER STOCK NO.	FCI Part No.	Fig.	Description	Price Each	
				1	5
649-54241678	54241678	---	Terminal Extraction Tool	7,55	7,12
649-54900049	54900049	---	Hand Crimp Tool, 16-22 AWG	355,38	335,26

APEX 2.8MM CONNECTORS

Features:

- Sealed: 12-20 wire gauge
- Fully assembled, robust design
- Circumferential interface seal
- Heavy Duty connectors for demanding environments
- Most compact 2.8mm system in the industry
- Terminal Position Assurance (TPA) device to detect partially installed terminals
- Mat seal design
- Connector position assurance available
- Sealing Protection: IP68
- Temperature range: 2 and 3 way: -40°C to +150°C, 4,6,10 and 14 way: -40°C to +125°C

For quantities greater than listed, call for quote.

MOUSER STOCK NO.	FCI Part No.	Fig.	No. of Contacts	Description	Color	Price Each			
						1	25	50	100
Male Housings									
649-54200210	54200210	E	2	Sealed, Index A	Black	2,23	2,10	1,97	1,86
649-54200211	54200211	E	2	Sealed, Index B	Lt Gray	2,23	2,10	1,97	1,86
649-54200312	54200312	E	3	Sealed, Index A	Black	2,71	2,56	2,41	2,27
649-54200313	54200313	E	3	Sealed, Index B	Lt Gray	2,71	2,56	2,41	2,27
649-54200413	54200413	E	4	Sealed, Index A	Black	2,71	2,56	2,41	2,27
649-54200414	54200414	E	4	Sealed, Index B	Lt Gray	2,90	2,74	2,58	2,43
649-54200612	54200612	E	6	Sealed, Index A	Black	3,01	2,84	2,67	2,52
649-54200613	54200613	E	6	Sealed, Index B	Lt Gray	3,01	2,84	2,67	2,52
649-54201016	54201016	E	10	Sealed, Index A	Black	3,20	3,02	2,85	2,68
649-54201017	54201017	E	10	Sealed, Index B	Lt Gray	3,20	3,02	2,85	2,68
649-54201415	54201415	E	14	Sealed, Index A	Black	3,70	3,48	3,28	3,09
649-54201416	54201416	E	14	Sealed, Index B	Lt Gray	3,70	3,48	3,28	3,09
Female Housings									
649-54200206	54200206	F	2	Sealed, w/ CPA, Index A	Black	2,61	2,46	2,32	2,19
649-54200207	54200207	F	2	Sealed, w/ CPA, Index B	Lt Gray	2,61	2,46	2,32	2,19
649-54200308	54200308	F	3	Sealed, w/ CPA, Index A	Black	2,90	2,74	2,58	2,43
649-54200309	54200309	F	3	Sealed, w/ CPA, Index B	Lt Gray	2,90	2,74	2,58	2,43
649-54200409	54200409	F	4	Sealed, w/ CPA, Index A	Black	3,01	2,84	2,67	2,52
649-54200410	54200410	F	4	Sealed, w/ CPA, Index B	Lt Gray	3,01	2,84	2,67	2,52
649-54200608	54200608	F	6	Sealed, w/ CPA, Index A	Black	3,20	3,02	2,85	2,68
649-54200609	54200609	F	6	Sealed, w/ CPA, Index B	Lt Gray	3,20	3,02	2,85	2,68
649-54201009	54201009	F	10	Sealed, w/ CPA, Index A	Black	3,60	3,39	3,19	3,01
649-54201010	54201010	F	10	Sealed, w/ CPA, Index B	Lt Gray	3,60	3,39	3,19	3,01
649-54201411	54201411	F	14	Sealed, w/ CPA, Index A	Black	4,19	3,95	3,72	3,51
649-54201412	54201412	F	14	Sealed, w/ CPA, Index B	Lt Gray	4,29	4,04	3,81	3,59
Accessories									
649-54200005	54200005	---	---	2.8mm Cavity Plug	---	0,65	0,611	0,569	0,536

Terminals

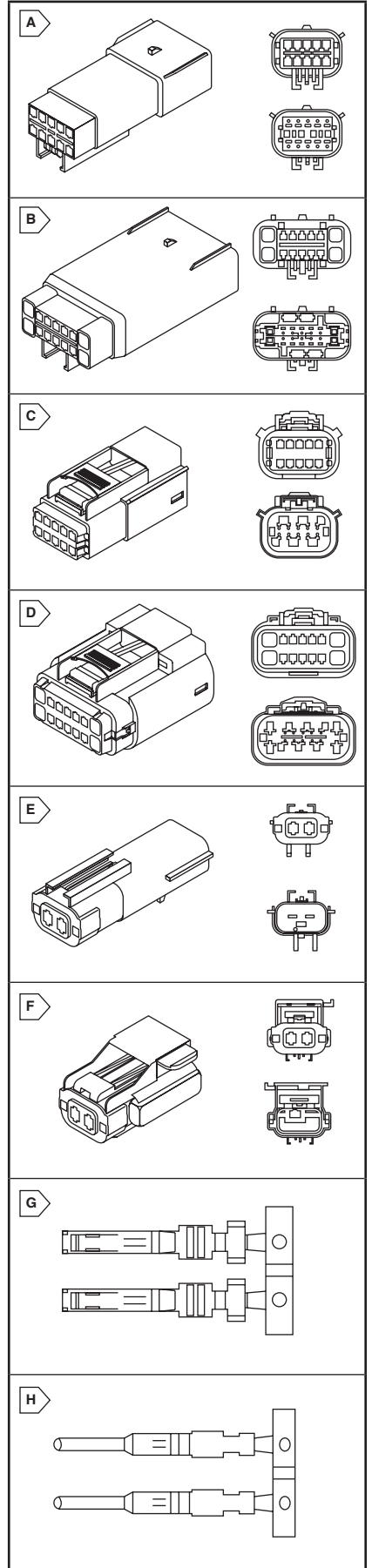
For quantities greater than listed, call for quote.

MOUSER STOCK NO.	FCI Part No.	Fig.	Gender	Terminal Size	Plating	Price Each			
						1	25	50	100
649-54001800	54001800	G	Female	2.8mm	Tin	0,75	0,701	0,66	0,619
649-54001400	54001400	G	Female	2.8mm	Tin	0,75	0,701	0,66	0,619
649-54001803	54001803	G	Female	2.8mm	Gold	1,24	1,16	1,10	1,03
649-54001801	54001801	H	Male	2.8mm	Tin	0,75	0,701	0,66	0,619
649-54001401	54001401	H	Male	2.8mm	Tin	0,75	0,701	0,66	0,619
649-F875200	F875200	H	Male	2.8mm	Gold	2,42	2,28	2,15	2,02

Tools

For quantities greater than listed, call for quote.

MOUSER STOCK NO.	FCI Part No.	Fig.	Description	Price Each	
				1	5
649-5400EXT	5400EXT	---	Terminal Extraction Tool	2,99	2,82
649-APEX2.8MM18/20	APEX2.8mm18/20	---	Hand Crimp Tool, 18-20 AWG	243,38	235,13
649-APEX2.8MM14/16	APEX2.8mm14/16	---	Hand Crimp Tool, 14-16 AWG	243,38	235,13
649-APEX2.8MM10/12	APEX2.8mm10/12	---	Hand Crimp Tool, 10-12 AWG	243,38	235,13





MX19 SERIES 2.5MM WATERPROOF CABLE-TO-CABLE CONNECTORS

- Mechanical lock system enables complete mating with a click
- Rear cover protects the grommet from damage on terminal insertion
- Terminals have a two-plate spring mechanism with long beam length, which results in a low force insertion and stress dispersion
- Contact Spacing 2.5mm (.098")

- Current Rating: 5A
- Insulation Resistance: 100 Megohm min.
- Waterproofing: Compliant with JIS D0203 S1
- Applicable wire: Type CAVS, AVSS, 22-20AWG

For quantities greater than listed, call for quote.

MOUSER STOCK NO.	JAE Part No.	Fig.	No. of Pos.	Description	Price Each			
					1	25	100	250
656-MX19002P51	MX19002P51	A	2	Pin Housing Black	0,51	0,469	0,394	0,368
656-MX19004P51	MX19004P51	A	4	Pin Housing Black	0,64	0,573	0,474	0,458
656-MX19002S51	MX19002S51	B	2	Socket Housing Black	0,84	0,764	0,639	0,606
656-MX19004S51	MX19004S51	B	4	Socket Housing Black	0,99	0,891	0,743	0,693

Contacts

656-MX19P10K451	MX19P10K451-C100	-	-	Crimp Pin Contact	0,22	0,123	0,076	0,064
656-MX19S10K451	MX19S10K451-C100	-	-	Crimp Socket Contact	0,22	0,124	0,077	0,064

MX23 SERIES 2.5MM WATERPROOF WIRE TO BOARD CONNECTORS

- Full water proof grommet is used for socket contact crimping area in order to reduce size
- Low profile type with board mounting height of 18.3mm and socket connector height of 22.2mm max.

- Contact Spacing 2.5mm (.098")
- Current Rating: 3A
- Applicable wire: Type AVSS, AVS, 22-16AWG
- Dielectric withstanding voltage: 1000 VACr.m.s. (1 minute)

For quantities greater than listed, call for quote.

MOUSER STOCK NO.	JAE Part No.	Fig.	No. of Pos.	Description	Price Each			
					1	25	100	250
656-MX23A18NF1	MX23A18NF1	C	18	Pin Header	4,86	4,50	3,98	3,74
656-MX23A26NF1	MX23A26NF1	C	26	Pin Header	6,57	5,02	4,43	4,28
656-MX23A34NF1	MX23A34NF1	C	34	Pin Header	6,73	6,24	5,18	4,95
656-MX23A18SF1	MX23A18SF1	D	18	Socket Housing	3,85	3,47	2,90	2,76
656-MX23A26SF1	MX23A26SF1	D	26	Socket Housing	6,29	4,81	4,22	4,08
656-MX23A34SF1	MX23A34SF1	D	34	Socket Housing	7,02	4,88	4,31	4,16
656-MX23A18XF1	MX23A18XF1	E	18	Front Cap	1,01	0,916	0,764	0,731
656-MX23A26XF1	MX23A26XF1	E	26	Front Cap	1,42	1,27	1,06	1,01
656-MX23A34XF1	MX23A34XF1	E	34	Front Cap	1,77	1,42	1,18	1,09

Contacts

656-M23S05K351	M23S05K351	-	-	Crimp Socket Contact	0,09	0,074	0,058	0,05
656-M120-55780	M120-55780	-	-	Dummy Plug	0,13	0,121	0,104	0,095

IL-Z SERIES 1.25MM SMT PCB TO CABLE CRIMP CONNECTORS

- Low Profile, 3.45mm above board
- Pin headers suited for automatic packaging
- Crimp to wire sockets

- Operating Temperature: -40°C to +70°C
- RoHS Compliance per JAE documentation
- Current Rating: 1 A
- AWG Range: 28-30
- Crimp contacts sold separately

For quantities greater than listed, call for quote.

MOUSER STOCK NO.	JAE Part No.	Fig.	No. of Pos.	Description	Price Each			
					1	25	100	250
656-IL-Z-2PL-SMTYE	IL-Z-2PL-SMTYE	F	2	Right Angle SMT Pin Header	0,31	0,285	0,258	0,248
656-IL-Z-5PL-SMTYE	IL-Z-5PL-SMTYE	F	5	Right Angle SMT Pin Header	0,40	0,371	0,357	0,335
656-IL-Z-6PL-SMTYE	IL-Z-6PL-SMTYE	F	6	Right Angle SMT Pin Header	0,41	0,383	0,369	0,348
656-IL-Z-7PL-SMTYE	IL-Z-7PL-SMTYE	F	7	Right Angle SMT Pin Header	0,38	0,314	0,272	0,264
656-IL-Z-8PL-SMTYE	IL-Z-8PL-SMTYE	F	8	Right Angle SMT Pin Header	0,45	0,405	0,381	0,373
656-IL-Z-9PL-SMTYE	IL-Z-9PL-SMTYE	F	9	Right Angle SMT Pin Header	0,39	0,332	0,273	0,257
656-IL-Z-10PL-SMTYE	IL-Z-10PL-SMTYE	F	10	Right Angle SMT Pin Header	0,49	0,441	0,418	0,41
656-IL-Z-12PL-SMTYE	IL-Z-12PL-SMTYE	F	12	Right Angle SMT Pin Header	0,50	0,466	0,443	0,422
656-IL-Z-15PL-SMTYE	IL-Z-15PL-SMTYE	F	15	Right Angle SMT Pin Header	0,56	0,514	0,492	0,472
656-IL-Z-2S-S125C3	IL-Z-2S-S125C3	G	2	Socket Housing	0,13	0,114	0,108	0,105
656-IL-Z-5S-S125C3	IL-Z-5S-S125C3	G	5	Socket Housing	0,13	0,114	0,108	0,105
656-IL-Z-6S-S125C3	IL-Z-6S-S125C3	G	6	Socket Housing	0,13	0,114	0,108	0,105
656-IL-Z-7S-S125C3	IL-Z-7S-S125C3	G	7	Socket Housing	0,16	0,138	0,131	0,126
656-IL-Z-8S-S125C3	IL-Z-8S-S125C3	G	8	Socket Housing	0,16	0,138	0,131	0,126
656-IL-Z-9S-S125C3	IL-Z-9S-S125C3	G	9	Socket Housing	0,16	0,138	0,131	0,126
656-IL-Z-10S-S125C3	IL-Z-10S-S125C3	G	10	Socket Housing	0,16	0,138	0,131	0,126
656-IL-Z-12S-S125C3	IL-Z-12S-S125C3	G	12	Socket Housing	0,20	0,179	0,167	0,146
656-IL-Z-15S-S125C3	IL-Z-15S-S125C3	G	15	Socket Housing	0,24	0,228	0,206	0,199

Contacts

656-IL-Z-C3-A-15000	IL-Z-C3-A-15000	-	-	Crimp Contacts 28-30 AWG	0,07	0,058	0,041	0,033
---------------------	-----------------	---	---	--------------------------	------	-------	-------	-------

TOOL

For quantities greater than listed, call for quote.

MOUSER STOCK NO.	JAE Part No.	Description	Price Each
656-CT150-4C-ILZ	CT150-4C-ILZ	Hand Crimp Tool	762,23

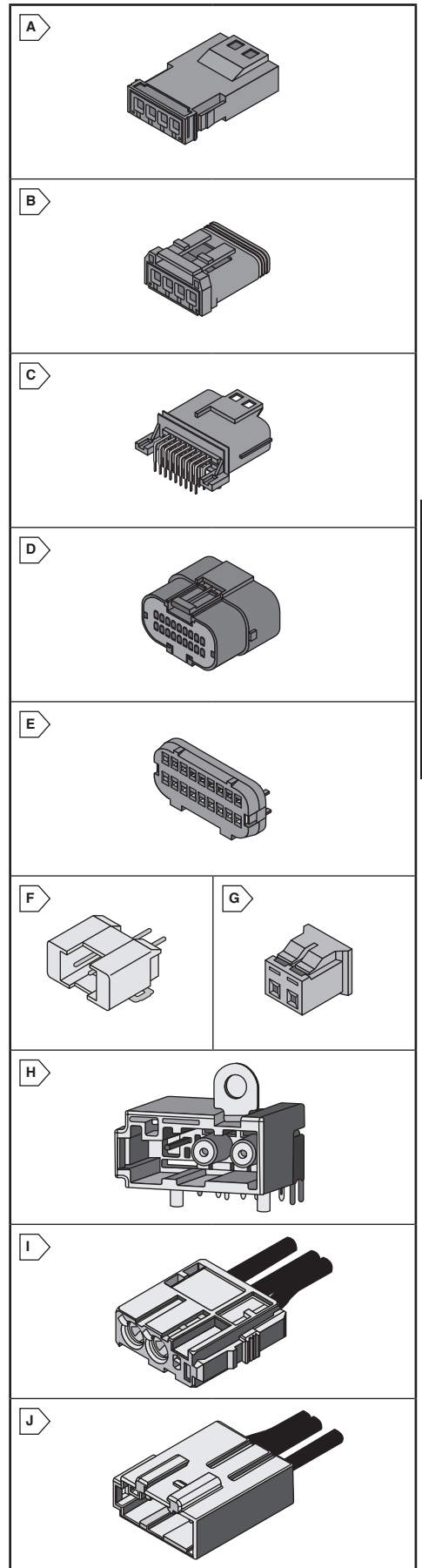
CE2 SERIES COAXIAL CONNECTORS

- Small and robust coaxial connectors for antenna connection in transportation applications.
- Applicable Frequency: DC to 1GHz
- Impedance: 75 Ohms
- Insertion loss: 0.3 dB max.
- Operating temperature: -30°C to +70°C



For quantities greater than listed, call for quote.

MOUSER STOCK NO.	JAE Part No.	Fig.	Description	Price Each				
				1	10	25	50	
Board Connectors								
656-CE2S101C02	CE2S101C02	H	Coaxial 1 Pos., Bracket Upward	2,95	2,35	1,77	1,67	
656-CE2S111C01	CE2S111C01	H	Coaxial 1 Pos. Power 1 Pos., Bracket Upward	6,79	5,71	4,61	4,33	
656-CE2S211C02	CE2S211C02	H	Coaxial 2 Pos. Power 1 Pos., Bracket Upward	2,99	2,39	1,79	1,68	
Cable Connectors								
656-CE2A111Z00	CE2A111Z00	I	Coaxial 1 Pos., Power 1 Pos.	0,89	0,627	0,495	0,454	
Relay Connectors								
656-CE2G111Z00	CE2G111Z00	J	Coaxial 1 Pos., Power 1 Pos.	1,02	0,80	0,569	0,512	
Terminals								
656-CE2A001C01	CE2A001C01	-	Coaxial Terminal for Cable	1,29	1,01	0,718	0,652	
656-CE2G001C01	CE2G001C01	-	Coaxial Terminal for Relay	1,02	0,80	0,569	0,512	



MOLEX Automotive Connectors



STAC64™ CONNECTION SYSTEM 2.54MM (.100") PITCH

This product is RoHS compliant.

Stackable connection system provides single and multi-pocket PCB solutions, offering a diverse range of circuit sizes and greatly reducing time-to-market by completely eliminating custom tooling; new female connectors feature the only finger-actuated design in the industry.



Applications:

- Automotive Vehicles
- Power Seat Modules
- Radios / DVD - Entertainment
- Door Zone Modules
- Interior Lighting and Navigation
- Instrument Panel Clusters
- Non-Automotive Transportation
- Interior Electronic Modules
- Body Electronic Modules

Headers

MOUSER STOCK NO.	Molex Part No.	Fig.	No. of Circuits	Color	Polarization	Dimensions: mm			Price Each			
						A	B	C	1	10	100	500
Single-Bay Headers												
538-34690-0080	34690-0080	A	8	Black	A	18.80	22.05	28.05	1,47	1,33	1,05	0,869
538-34690-0120	34690-0120	A	12	Black	A	23.88	22.05	28.05	1,78	1,59	1,26	1,04
538-34690-0160	34690-0160	A	16	Black	A	28.96	22.05	28.05	2,25	2,02	1,59	1,31
538-34690-0200	34690-0200	A	20	Black	A	34.04	22.05	28.05	2,75	2,48	1,95	1,60
538-34690-0201	34690-0201	A	20	Gray	B	34.04	22.05	28.05	2,75	2,48	1,95	1,60
538-34690-0202	34690-0202	A	20	Brown	C	34.04	22.05	28.05	2,75	2,48	1,95	1,60
538-34690-0203	34690-0203	A	20	Green	D	34.04	22.05	28.05	2,75	2,47	1,95	1,61
Single-Bay Right Angle Headers												
538-34691-0080	34691-0080	B	8	Black	A	18.80	22.05	31.89	1,53	1,39	1,09	0,909
538-34691-0120	34691-0120	B	12	Black	A	23.88	22.05	31.89	2,43	1,87	1,56	1,25
538-34691-0160	34691-0160	B	16	Black	A	28.96	22.05	31.89	2,36	2,14	1,68	1,38
538-34691-0200	34691-0200	B	20	Black	A	34.04	22.05	31.89	2,95	2,67	2,10	1,73
538-34691-0201	34691-0200	B	20	Gray	B	34.04	22.05	31.89	2,95	2,67	2,10	1,73
538-34691-0202	34691-0202	B	20	Brown	C	34.04	22.05	31.89	2,95	2,67	2,10	1,73
538-34691-0203	34691-0203	B	20	Green	D	34.04	22.05	31.89	2,95	2,67	2,10	1,73
Single-Bay Hybrid Vertical Header												
538-34695-0100	34695-0100	C	10	Black	A	34.04	22.05	28.05	3,01	2,73	2,15	1,76

Receptacles

MOUSER STOCK NO.	Molex Part No.	Fig.	No. of Circuits	Color	Polarization	Dimensions: mm			Price Each			
						A	B	C	1	10	100	500
Single-Bay Receptacles												
538-34729-0080	34729-0080	D	8	Black	A	14.76	22.23	22.70	0,63	0,593	0,55	0,512
538-34729-0120	34729-0120	D	12	Black	A	19.84	22.23	22.70	0,69	0,654	0,60	0,55
538-34729-0160	34729-0160	D	16	Black	A	24.92	22.23	22.70	0,81	0,767	0,725	0,676
538-34729-0200	34729-0200	D	20	Black	A	30.00	22.23	22.70	0,91	0,858	0,825	0,75
538-34729-0201	34729-0201	D	20	Gray	B	30.00	22.23	22.70	0,91	0,858	0,825	0,75
538-34729-0202	34729-0202	D	20	Brown	C	30.00	22.23	22.70	0,91	0,858	0,825	0,75
538-34729-0203	34729-0203	D	20	Green	D	30.00	22.23	22.70	0,91	0,858	0,825	0,75
Hybrid Receptacle												
538-31372-1000	31372-1000	E	10	Black	A	28.36	22.70	25.12	1,71	1,54	1,21	1,00

Contacts

MOUSER STOCK NO.	Molex Part No.	Wire Gauge	Price Each			
			1	10	100	500
Terminals - Female						
538-34803-0211	34803-0211	22 AWG, Tin Plated	0,11	0,102	0,091	0,08
538-34803-0212	34803-0212	20 AWG, Tin Plated	0,11	0,102	0,091	0,08

CMC HYBRID CONNECTORS

The Molex family of CMC Hybrid Connectors provides a sealed, high-density, modular and cost-effective connection system for heavy-duty, powertrain and body-electronics applications in the transportation industry.

Applications:

- Applications: Wire-to-Board
- Powertrain
- Engine Control Unit (ECU)
- Gear Box
- Suspension Controller
- Electronic Parking Brake
- Body Electronics
- Junction/Fuse Box
- Lighting Control Systems
- Electronic Doors
- Transportation Market
- Cars
- Trucks
- Buses
- Agricultural equipment
- Construction equipment
- Motorcycle
- Marine



Receptacles

MOUSER STOCK NO.	Molex Part No.	Fig.	No. of Circuits	Color	Wire Output	Price Each			
						1	10	100	500
538-64319-3211	64319-3211	F	32	Black	Right	10,68	9,34	8,31	7,57
538-64319-1218	64319-1218	G	32	Gray	Left	10,69	9,35	8,32	7,57
538-64320-3311	64320-3311	F	48	Black	Right	11,74	9,75	7,92	7,63
538-64320-3319	64320-3319	F	48	Brown	Right	16,70	14,60	13,00	11,69
538-64320-1319	64320-1319	G	48	Brown	Left	15,09	13,20	11,74	-

Wire Caps

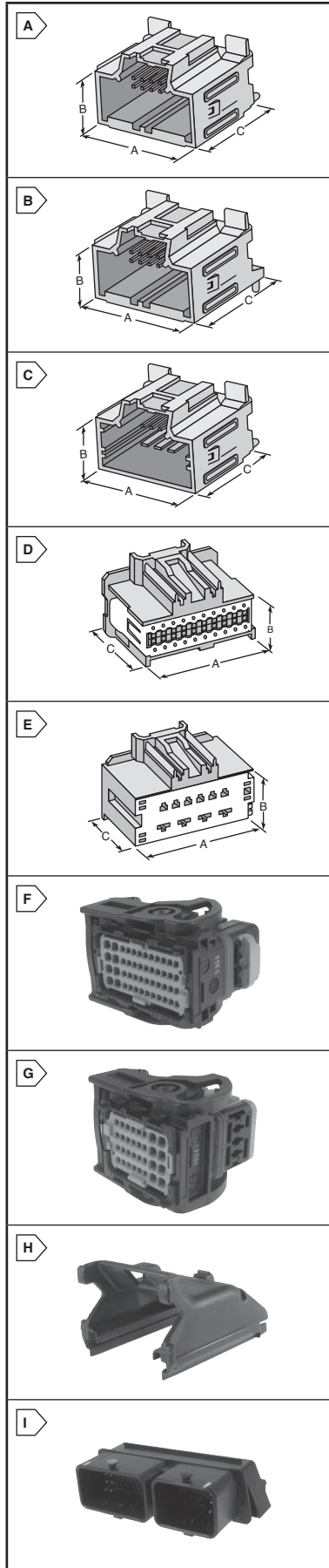
MOUSER STOCK NO.	Molex Part No.	Fig.	No. of Circuits	Color	Price Each			
					1	10	100	500
538-64319-1201	64319-1201	H	32	Black	0,35	0,307	0,276	0,223
538-64320-1301	64320-1301	H	48	Black	0,82	0,695	0,575	0,514

Headers

MOUSER STOCK NO.	Molex Part No.	Fig.	No. of Circuits	Pin Count .63mm	Pin Count 1.50mm	No. of Pockets	Price Each			
							1	10	100	500
538-64334-0100	64334-0100	I	32	24	8	1	5,17	4,33	3,61	3,25
538-500762-0481	500762-0481	I	48	40	8	1	4,92	4,29	3,82	3,43
538-502225-0801	502225-0801	I	80	64	16	2	8,69	7,60	6,77	6,09
538-64333-0100	64333-0100	I	112	88	24	3	14,37	12,57	11,17	10,06

Contacts

MOUSER STOCK NO.	Molex Part No.	Fig.	Plating	Wire Size mm	Wire Insulation (mm)	Price Each			
						1	10	100	500
538-64322-1029	64322-1029	-	Tin	0.75	1.60 - 1.90	0,15	0,133	0,13	0,119



Automotive Molex

AMPHENOL Renewable Energy RADSOK® Connectors Amphenol®



This product is RoHS compliant.

AMPHENOL HELIOS H4

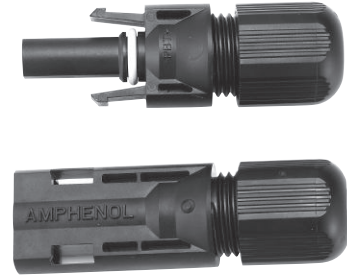
The H4 comes from the innovative family of Amphenol's Helios solar products. Quick and easy snap lock mating and reliable crimp terminations make this an ideal solution for field installation. The H4 is fully intermateable with industry standards. The long-term UV and ozone resistance, as well as the low resistance self-cleaning contact grid distinguish the H4 as the most efficient and durable solar connector option. Amphenol Helios H4 can help you power the planet with the sun.

Features and Benefits:

- Meets all new NEC 2008 requirements
- NEC required locking mechanism built into the connector
- Quick and easy secure snap lock mating
- Simple unlocking tool meets NEC requirements
- Long-term UV and Ozone resistance
- Highest current rating in industry
- Low contact resistance means low power loss
- Ready for field assembly
- No assembly required, no small parts to lose

Amphenol's Helios solar products withstand:

- UV
- Ozone
- Hydrolysis
- Oil, chemicals
- Abrasion, corrosion
- Temperature extremes



MOUSER STOCK NO.	Amphenol Part No.	Description	Price Each				
			1	10	25	100	500
654-H4PC4DI	H4PC4DI	Mated Pair 12 AWG/4MM2	4,84	4,34	3,94	3,60	3,31
654-H4FC4DI	H4FC4DI	Female 12 AWG/4MM2	3,76	3,37	3,04	2,78	2,56
654-H4MC4DI	H4MC4DI	Male 12 AWG/4MM2	2,70	2,42	2,19	2,00	1,84
654-H4PC6DI	H4PC6DI	Mated Pair 10 AWG/6MM2	5,73	5,13	4,65	4,24	3,90
654-H4FC6DI	H4FC6DI	Female 10 AWG/6MM2	4,22	3,78	3,43	3,13	2,88
654-H4MC6DI	H4MC6DI	Male 10 AWG/6MM2	2,91	2,60	2,36	2,17	2,00
654-H4PC2DI	H4PC2DI	Mated Pair 14 AWG/2.5MM2	5,40	4,84	4,39	4,01	3,69
654-H4FC2DI	H4FC2DI	Female 14 AWG/2.5MM2	3,33	2,98	2,70	2,47	2,27
654-H4MC2DI	H4MC2DI	Male 14 AWG/2.5MM2	2,23	2,00	1,81	1,65	1,52
654-PV-670804-000	PV-670804-000	H4 Ring Tool	2,06	1,84	1,67	1,53	1,41
654-PV-670803-000	PV-670803-000	H4 Wrench Tool	7,18	6,44	5,83	5,33	4,90
Description							
			1		5		
654-PV-670509-000	PV-670509-000	H4 Strip Tool			108,13	84,10	
654-PV-670508-000	PV-670508-000	H4 Crimp Tool			192,27	149,54	

RADSOK® RADSERT™ HIGH AMPERAGE CONNECTORS

Features and Benefits:

- High power to board interconnect in a small package
- Ensures many points of contact
- No special crimp tools needed
- Eliminates risk of PTH cracking
- No threaded fasteners



For quantities greater than listed, call for quote.

MOUSER STOCK NO.	Mfr. Part No.	Amp	Description	Price Each	
				1	10
2.4mm					
523—C10-642495-241		35	Solder .125" Dia. Top Flange	5,77	4,73
523—C10-665340-001		35	Solder .290" Dia. Top Flange	5,77	4,73
523—C10-642865-001		70	Solder .450" Dia. Short; Heavy Body .159"	5,95	4,92
523—C10-639772-001		35	(One Piece), Pre-loaded Single .250"	6,22	5,16
3.6mm					
523—C10-665215-001		70	Solder .450" Dia. Flange, Thin Body	5,58	4,44
523—C10-642449-001		70	(One Piece) Short, Pre-loaded Single .250"	6,09	4,76

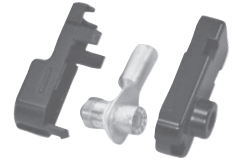
RADSOK® SURLOK™

Features:

- Copper alloy construction
- High ampacity
- Built in locking feature
- Low insertion force
- High cycle durability
- High reliability

Markets:

- Printed circuit boards
- Telecommunications
- Oil and drilling rigs
- Wind and solar power applications
- Heavy equipment
- Medical devices
- Rail/Mass Transit



For quantities greater than listed, call for quote.

MOUSER STOCK NO.	Mfr. Part No.	Amp	Description	Price Each	
				1	10
654—PSL-368K		70	3.6mm, 8 AWG, Threaded Tail	10,72	8,57
654—PSL574K		125	5.7mm, 4 AWG, Tapped Screw End Termination	6,07	5,21
654—PSL-801K		200	8.0mm, 1 AWG, Tapped Screw End Termination	21,93	20,36
654—PSL-10320K		300	10.3mm, 2/0 AWG, Tapped Screw End Termination	20,16	16,13
Pins					
654—PSLP-36		70	3.6mm Surlock Pin; M3x0.5 Thread	2,39	2,02
654—PSLP-57		125	5.7mm Surlock Pin; M5x0.8 Thread	2,64	2,26
654—PSLP-80		200	8.0mm Surlock Pin; M8x1.25 Thread	4,86	4,17
654—PSLP-103		300	10.3mm Surlock Pin; M10x1.5 Thread	6,73	5,84

RADSOK® AMPHE-POWER® GT

Features:

- Reverse bayonet coupling connector with an audible, tactile and visual full mating feature
- IP67 rating
- Supports 50A to 1000A continuous duty
- Ideal for wind energy applications

Mating Receptacles

No. of Pos.	Insert	Contact Size	Wire Range	MOUSER STOCK NO.	Amphenol Part No.	Contact Type	Price Each	
							1	5
1	18-7	#8	8 AWG	654-GTC03018-7P025	GTC03018-7P(025)	Pin	21,69	18,78
2	22-1	#8	8 AWG	654-GTC03022-1P025	GTC03022-1P(025)	Pin	25,64	24,61
3	20-19	#8	8 AWG	654-GTC03020-19P025	GTC03020-19P(025)	Pin	31,19	28,47
1	16-12	#4	4 AWG	654-GTC03016-12P025	GTC03016-12P(025)	Pin	54,57	51,29
2	24-9	#4	4 AWG	654-GTC03024-9P025	GTC03024-9P(025)	Pin	24,04	22,42
4	32-17	#4	4 AWG	654-GTC03032-17P025	GTC03032-17P(025)	Pin	34,51	30,46
1	22-7	#0	0 AWG	654-GTC03022-7P025	GTC03022-7P(025)	Pin	19,73	17,41
3	36-4	#0	0 AWG	654-GTC03036-4P025	GTC03036-4P(025)	Pin	37,13	33,37
4	36-5	#0	0 AWG	654-GTC03036-5P025	GTC03036-5P(025)	Pin	51,94	41,18

Reverse Bayonet Straight Plugs

For quantities greater than listed, call for quote.

MOUSER STOCK NO.	Amphenol Part No.	Contact Type	Price Each	
			1	5
654-GTC06F187SRDS	GTC06F18-7S(RDS)(025)	RADSOK	52,55	46,99
654-GTC06F221SRDS	GTC06F22-1S(RDS)(025)	RADSOK	67,64	65,41
654-GTC06F2019SRDS	GTC06F20-19S(RDS)(025)	RADSOK	68,28	63,25
654-GTC06F1612SRDS	GTC06F16-12S(RDS)(025)	RADSOK	57,49	52,49
654-GTC06F249SRDS	GTC06F24-9S(RDS)(025)	RADSOK	89,86	82,96
654-GTC06F3217SRDS	GTC06F32-17S(RDS)(025)	RADSOK	212,54	184,70
654-GTC06F227SRDS	GTC06F22-7S(RDS)(025)	RADSOK	102,93	75,83
654-GTC06F364SRDS	GTC06F36-4S(RDS)(025)	RADSOK	217,03	197,12
654-GTC06F365SRDS	GTC06F36-5S(RDS)(025)	RADSOK	287,19	273,56

RADSOK® AMPHE-POWER® 5015

Features:

- IP67 rating
- Supports 50A to 1000A continuous duty
- Ideal for wind energy applications

Mating Box Mount Receptacles

No. of Pos.	Insert	Contact Size	Wire Range	MOUSER STOCK NO.	Amphenol Part No.	Contact Type	Price Each	
							1	5
1	18-7	#8	8 AWG	654-ACC02E18-7P025	ACC02E18-7P(025)	Pin	15,13	13,16
2	22-1	#8	8 AWG	654-ACC02E22-1P025	ACC02E22-1P(025)	Pin	22,68	21,73
3	20-19	#8	8 AWG	654-ACC02E20-19P025	ACC02E20-19P(025)	Pin	26,46	25,35
4	22-22	#8	8 AWG	654-ACC02E22-22P025	ACC02E22-22P(025)	Pin	30,96	28,17
1	16-12	#4	4 AWG	654-ACC02E16-12P025	ACC02E16-12P(025)	Pin	14,59	12,87
3	28-6	#4	4 AWG	654-ACC02E28-6P025	ACC02E28-6P(025)	Pin	23,25	22,28
4	32-17	#4	4 AWG	654-ACC02E32-17P025	ACC02E32-17P(025)	Pin	36,44	32,05
1	22-7	#0	0 AWG	654-ACC02E22-7P025	ACC02E22-7P(025)	Pin	17,96	15,86
2	32-5	#0	0 AWG	654-ACC02E32-5P025	ACC02E32-5P(025)	Pin	20,45	19,60
4	36-5	#0	0 AWG	654-ACC02E36-5P025	ACC02E36-5P(025)	Pin	102,01	68,01

Straight Plugs

For quantities greater than listed, call for quote.

MOUSER STOCK NO.	Amphenol Part No.	Contact Type	Price Each	
			1	5
654-ACC06E18-7R025	ACC06E18-7R(025)	RADSOK	34,06	32,69
654-ACC06E22-1R025	ACC06E22-1R(025)	RADSOK	38,24	35,21
654-ACC06E20-19R025	ACC06E20-19R(025)	RADSOK	34,49	33,04
654-ACC06E22-22R025	ACC06E22-22R(025)	RADSOK	50,72	49,21
654-ACC06E16-12R025	ACC06E16-12R(025)	RADSOK	35,64	31,91
654-ACC06E28-6R025	ACC06E28-6R(025)	RADSOK	63,89	58,57
654-ACC06E32-17R025	ACC06E32-17R(025)	RADSOK	73,22	71,82
654-ACC06E22-7R025	ACC06E22-7R(025)	RADSOK	65,25	57,57
654-ACC06E32-5R025	ACC06E32-5R(025)	RADSOK	125,26	120,25
654-ACC06E36-5R025	ACC06E36-5R(025)	RADSOK	199,74	176,25

ANDERSON POWER PRODUCTS Powerpole® Connectors



RoHS Compliant This product is RoHS compliant.

Features:

- Flat wiping contact system
- Colored modular housings
- UL94 V-0 housing material
- Interchangeable genderless design
- Polarized housings
- -BK denotes bulk packaging
- Tin or Silver plated contacts
- Molded-in dovetails

PP15/45 POWERPOLE® CONNECTORS

Housings

For quantities greater than listed, call for quote.

MOUSER STOCK NO.	APP Part No.	Fig.	Color	Price Each			
				1	25	50	100
879-1327	1327	A	Red	0,37	0,343	0,31	0,281
879-1327-BK	1327-BK	A	Red	0,28	0,252	0,235	0,218
879-1327G5	1327G5	A	Green	0,37	0,343	0,31	0,293
879-1327G5-BK	1327G5-BK	A	Green	0,28	0,252	0,235	0,218
879-1327G6	1327G6	A	Black	0,37	0,343	0,31	0,293
879-1327G6-BK	1327G6-BK	A	Black	0,28	0,252	0,235	0,218
879-1327G7	1327G7	A	White	0,37	0,343	0,31	0,293
879-1327G7-BK	1327G7-BK	A	White	0,28	0,252	0,235	0,218
879-1327G8	1327G8	A	Blue	0,37	0,343	0,31	0,293
879-1327G8-BK	1327G8-BK	A	Blue	0,28	0,252	0,235	0,218
879-1327G16	1327G16	A	Yellow	0,37	0,343	0,31	0,293
879-1327G16-BK	1327G16-BK	A	Yellow	0,28	0,252	0,235	0,218

Finger Proof Housings

For quantities greater than listed, call for quote.

MOUSER STOCK NO.	APP Part No.	Fig.	Color	Price Each			
				1	25	50	100
879-1327FP	1327FP	A	Red	0,70	0,638	0,579	0,545
879-1327FP-BK	1327FP-BK	A	Red	0,36	0,328	0,294	0,277
879-1327G5FP	1327G5FP	A	Green	0,70	0,638	0,579	0,545
879-1327G5FP-BK	1327G5FP-BK	A	Green	0,36	0,328	0,294	0,277
879-1327G6FP	1327G6FP	A	Black	0,70	0,638	0,579	0,545
879-1327G6FP-BK	1327G6FP-BK	A	Black	0,36	0,328	0,294	0,277
879-1327G7FP	1327G7FP	A	White	0,70	0,638	0,579	0,545
879-1327G7FP-BK	1327G7FP-BK	A	White	0,36	0,328	0,294	0,277

Contacts

For quantities greater than listed, call for quote.

MOUSER STOCK NO.	APP Part No.	Fig.	Wire Size		Price Each			
			AWG	mm ²	1	25	50	100
879-1332	1332	B	20-16	1.3-.52	0,22	0,201	0,184	0,167
879-1332-BK	1332-BK	B	20-16	1.3-.52	0,39	0,371	0,347	0,322
879-1331	1331	B	16-12	3.3-1.3	0,22	0,201	0,184	0,167
879-1331-BK	1331-BK	B	16-12	3.3-1.3	0,24	0,206	0,19	0,173
879-261G2-LPBK	261G2-LPBK	C	14-10	5.3-2.1	0,57	0,521	0,512	0,386

PCB Contacts

For quantities greater than listed, call for quote.

MOUSER STOCK NO.	APP Part No.	Fig.	Amps	Description	Price Each			
					1	25	50	100
879-1317G1	1317G1	D	25	Right Angle, .70"(17.8mm)	0,76	0,705	0,646	0,587
879-1317G1-BK	1317G1-BK	D	25	Right Angle, .70"(17.8mm)	0,45	0,419	0,378	0,356
879-1317G2	1317G2	D	25	Right Angle, .40"(10.2mm)	0,76	0,705	0,646	0,587
879-1317G2-BK	1317G2-BK	D	25	Right Angle, .40"(10.2mm)	0,45	0,419	0,378	0,356
879-1317G3	1317G3	E	25	Straight, 2.16"(54.9mm)	0,76	0,705	0,646	0,587
879-1317G3-BK	1317G3-BK	E	25	Straight, 2.16"(54.9mm)	0,45	0,419	0,378	0,361
879-1335G1	1335G1	F	45	Vertical Mount, Short Tail	0,38	0,37	0,328	0,294
879-1336G1	1336G1	G	45	Horizontal (Bottom), Right Angle	0,42	0,411	0,361	0,327
879-1337G1	1337G1	G	45	Horizontal (Top), Right Angle	0,47	0,436	0,411	0,377

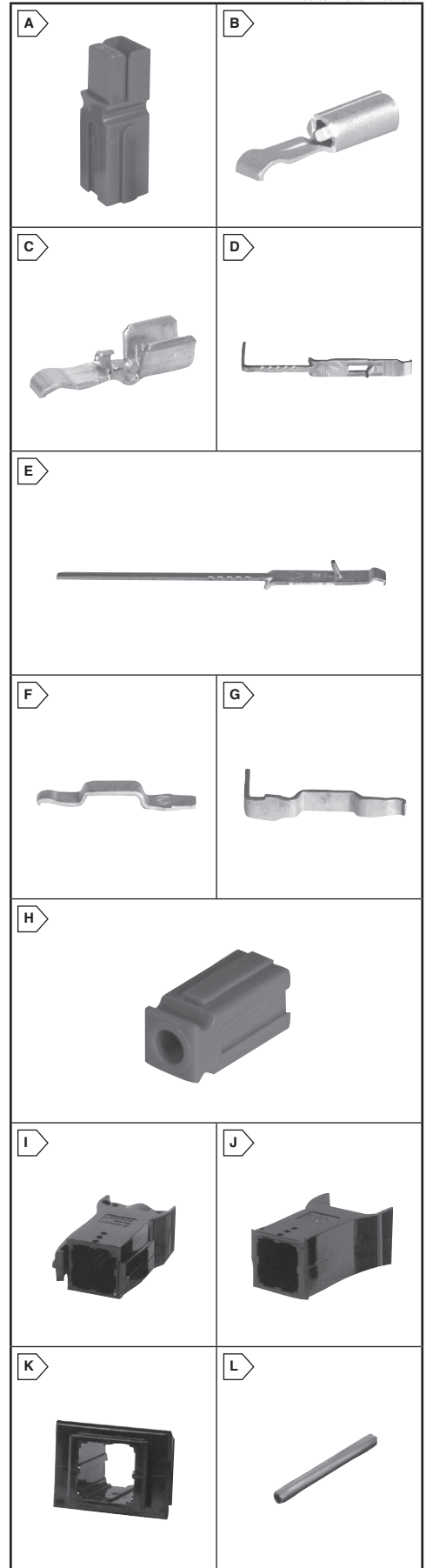
Accessories

MOUSER STOCK NO.	APP Part No.	Fig.	Description	Price Each
879-1309G2	1309G2	-	Crimp Tool, 20 - 12 AWG	210,38
879-1309G3	1309G3	-	Crimp Tool, 10 AWG	210,38
879-111038G2	111038G2	-	PP15/45 Extraction Tool	6,95
879-1399G1	1399G1	H	Red Short Spacer with End Hole	0,40
879-1399G1-BK	1399G1-BK	H	Red Short Spacer with End Hole	0,46

POWERPOLE® PAK CONNECTORS

For quantities greater than listed, call for quote.

MOUSER STOCK NO.	APP Part No.	Fig.	Description	Price Each			
				1	25	50	100
879-1460G1	1460G1	I	Plug Housing with Latch, 2, 3, 4 Poles	0,92	0,85	0,78	0,722
879-1460G1-BK	1460G1-BK	I	Plug Housing with Latch, 2, 3, 4 Poles	0,81	0,73	0,663	0,629
879-1461G1	1461G1	J	Plug Housing without Latch, 2, 3, 4 Poles	0,92	0,85	0,78	0,722
879-1461G1-BK	1461G1-BK	J	Plug Housing without Latch, 2, 3, 4 Poles	0,81	0,73	0,663	0,629
879-1470G1	1470G1	K	Snap-In Receptacle Housing, 2, 3, 4 Poles	1,27	1,11	1,07	0,858
879-1470G1-BK	1470G1-BK	K	Snap-In Receptacle Housing, 2, 3, 4 Poles	0,85	0,771	0,696	0,662
879-110G9	110G9	L	Retaining Pin for Snap-In Receptacle	0,21	0,192	0,176	0,134
879-110G9-BK	110G9-BK	L	Retaining Pin for Snap-In Receptacle	0,11	0,101	0,092	0,083



NEW SUPPLIER

NEW SUPPLIER

Power Connectors

NEW SUPPLIER Anderson Power Products

NEW SUPPLIER

ANDERSON POWER PRODUCTS Connectors



NEW SUPPLIER NEW SUPPLIER Power Connectors Anderson Power Products NEW SUPPLIER NEW SUPPLIER

Features:

- Flat wiping contact system
- Colored modular housings
- UL94 V-0 housing material
- Interchangeable genderless design
- Polarized housings
- -BK denotes bulk packaging
- Tin or Silver plated contacts
- Molded-in dovetails

RoHS Compliant This product is RoHS compliant.

POWERPOLE® CONNECTORS

PP75 Powerpole® Housings

For quantities greater than listed, call for quote.

MOUSER STOCK NO.	APP Part No.	Fig.	Color	Price Each			
				1	25	50	100
879-5916	5916	A	Blue	1,72	1,56	1,40	1,33
879-5916-BK	5916-BK	A	Blue	1,28	1,15	1,06	0,974
879-5916G4	5916G4	A	Black	1,72	1,56	1,40	1,33
879-5916G4-BK	5916G4-BK	A	Black	1,28	1,15	1,06	0,974
879-5916G5	5916G5	A	White	1,72	1,56	1,40	1,33
879-5916G5-BK	5916G5-BK	A	White	1,28	1,15	1,06	0,974
879-5916G6	5916G6	A	Green	1,72	1,56	1,40	1,33
879-5916G6-BK	5916G6-BK	A	Green	1,28	1,15	1,06	0,974
879-5916G7	5916G7	A	Red	1,72	1,56	1,40	1,33
879-5916G7-BK	5916G7-BK	A	Red	1,28	1,15	1,06	0,974

PP120 Powerpole® Plus Housings

For quantities greater than listed, call for quote.

MOUSER STOCK NO.	APP Part No.	Fig.	Color	Price Each			
				1	25	50	100
879-1321	1321	B	Blue	6,66	6,00	5,44	5,15
879-1321-BK	1321-BK	B	Blue	4,61	4,33	4,05	3,78
879-1321G1	1321G1	B	Black	6,66	6,00	5,44	5,15
879-1321G1-BK	1321G1-BK	B	Black	4,69	4,41	4,12	3,84
879-1321G2	1321G2	B	White	6,66	6,00	5,44	5,15
879-1321G2-BK	1321G2-BK	B	White	4,69	4,41	4,12	3,84
879-1321G3	1321G3	B	Red	6,66	6,00	5,44	5,15
879-1321G3-BK	1321G3-BK	B	Red	4,69	4,41	4,12	3,84
879-1321G4	1321G4	B	Green	6,66	6,00	5,44	5,15
879-1321G4-BK	1321G4-BK	B	Green	4,69	4,41	4,12	3,84

MULTIPOLE CONNECTORS

SB@50 Housings

For quantities greater than listed, call for quote.

MOUSER STOCK NO.	APP Part No.	Fig.	Color	Price Each			
				1	25	50	100
879-992	992	C	Gray	3,35	3,01	2,73	2,58
879-992-BK	992-BK	C	Gray	1,58	1,49	1,39	1,30
879-992G1	992G1	C	Red	3,35	3,01	2,73	2,58
879-992G1-BK	992G1-BK	C	Red	1,56	1,46	1,37	1,28
879-992G2	992G2	C	Black	3,35	3,01	2,73	2,58
879-992G2-BK	992G2-BK	C	Black	1,56	1,46	1,37	1,28
879-992G4	992G4	C	Blue	3,35	3,01	2,73	2,58
879-992G4-BK	992G4-BK	C	Blue	1,56	1,46	1,37	1,28

SB@120 Plus Housings

For quantities greater than listed, call for quote.

MOUSER STOCK NO.	APP Part No.	Fig.	Color	Price Each			
				1	25	50	100
879-6810G1	6810G1	D	Gray	5,12	4,61	4,17	3,95
879-6810G1-BK	6810G1-BK	D	Gray	3,89	3,55	3,42	3,10
879-6810G2	6810G2	D	Blue	5,12	4,61	4,17	3,95
879-6810G2-BK	6810G2-BK	D	Blue	3,89	3,55	3,42	3,10
879-6810G3	6810G3	D	Red	5,61	5,06	4,57	4,34
879-6810G3-BK	6810G3-BK	D	Red	4,53	4,14	3,98	3,62

POWERPOLE® AND MULTIPOLE CONTACTS

SB50/PP75 Contacts

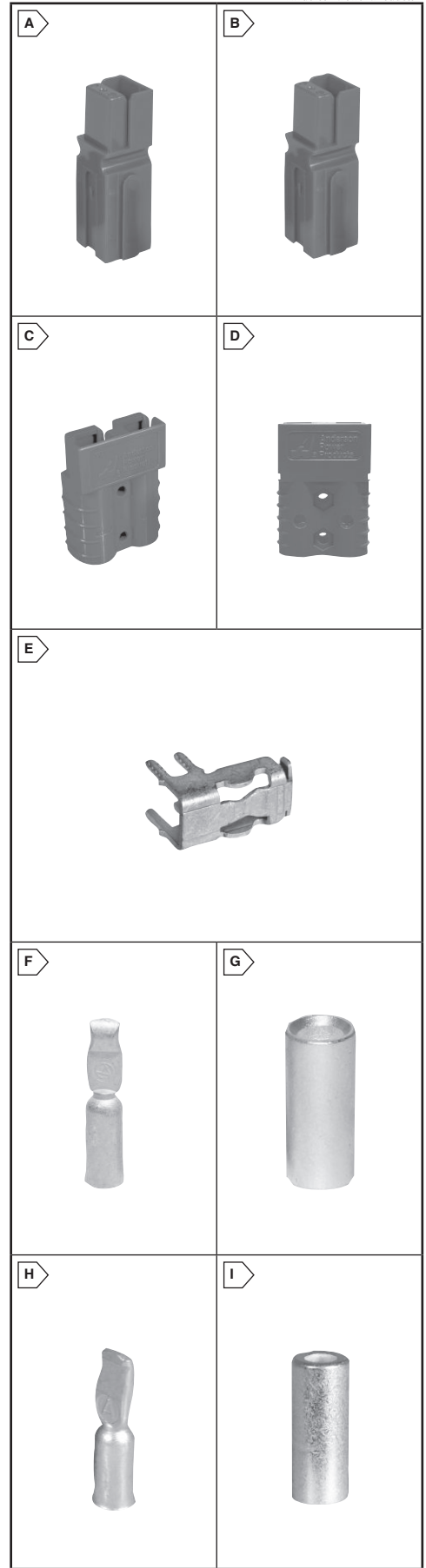
For quantities greater than listed, call for quote.

MOUSER STOCK NO.	APP Part No.	Fig.	Description	Price Each			
				1	25	50	100
879-PC5933T	PC5933T	E	Mini-PC Vertical, Tin (Sn)	3,23	3,10	2,81	2,54
879-PC5933T-BK	PC5933T-BK	E	Mini-PC Vertical, Tin (Sn)	2,42	2,18	1,97	1,86
879-PC5934T	PC5934T	E	Mini-PC Horizontal, Tin (Sn)	2,65	2,54	2,31	2,09
879-PC5934T-BK	PC5934T-BK	E	Mini-PC Horizontal, Tin (Sn)	2,17	1,96	1,77	1,68
879-5900	5900	F	Contact, #6 AWG (13.3 mm ²)	1,18	1,06	0,965	0,908
879-5900-BK	5900-BK	F	Contact, #6 AWG (13.3 mm ²)	0,64	0,57	0,52	0,495
879-5915	5915	F	Contact, #10/12 AWG (5.3/3.3 mm ²)	1,49	1,34	1,21	1,15
879-5915-BK	5915-BK	F	Contact, #10/12 AWG (5.3/3.3 mm ²)	1,18	1,06	0,965	0,908
879-5952	5952	F	Contact, #8 AWG (8.4 mm ²)	1,73	1,56	1,41	1,34
879-5952-BK	5952-BK	F	Contact, #8 AWG (8.4 mm ²)	0,93	0,833	0,734	0,668
879-5913	5913	G	Bushing, #6-#14/16 AWG (13.3 - 2.1/1.3 mm ²)	1,49	1,34	1,21	1,15
879-5913-BK	5913-BK	G	Bushing, #6-#14/16 AWG (13.3 - 2.1/1.3 mm ²)	1,18	1,06	0,965	0,908

SB120/PP120 Contacts

For quantities greater than listed, call for quote.

MOUSER STOCK NO.	APP Part No.	Fig.	Description	Price Each			
				1	25	50	100
879-1319	1319	H	Contact, #2 AWG (33.6 mm ²)	5,30	4,78	4,33	4,10
879-1319-BK	1319-BK	H	Contact, #2 AWG (33.6 mm ²)	3,40	3,19	2,99	2,80
879-1319G4	1319G4	H	Contact, #4 AWG (21.2 mm ²)	5,30	4,78	4,33	4,10
879-1319G4-BK	1319G4-BK	H	Contact, #4 AWG (21.2 mm ²)	3,40	3,19	2,99	2,80
879-1319G6	1319G6	H	Contact, #6 AWG (13.3 mm ²)	5,30	4,78	4,33	4,10
879-1319G6-BK	1319G6-BK	H	Contact, #6 AWG (13.3 mm ²)	3,40	3,19	2,99	2,80
879-1323G2	1323G2	H	PP120 Contact, #1/0 AWG (53.5 mm ²)	3,83	3,45	3,13	2,96
879-1323G2-BK	1323G2-BK	H	PP120 Contact, #1/0 AWG (53.5 mm ²)	2,24	2,11	1,97	1,83
879-5921	5921	I	Bushing, #2-#8 AWG (33.6 - 8.4 mm ²)	2,12	1,91	1,73	1,64
879-5921-BK	5921-BK	I	Bushing, #2-#8 AWG (33.6 - 8.4 mm ²)	1,70	1,53	1,38	1,31
879-5913	5913	G	Bushing, #6-#14/16 AWG (13.3 - 2.1/1.3 mm ²)	1,49	1,34	1,21	1,15
879-5913-BK	5913-BK	G	Bushing, #6-#14/16 AWG (13.3 - 2.1/1.3 mm ²)	1,18	1,06	0,965	0,908



ANDERSON POWER PRODUCTS Connectors



This product is RoHS compliant.



POWERPOLE® CONNECTORS

Features:

- Flat wiping contact system
- Colored modular housings
- UL94 V-0 housing material
- Interchangeable genderless design
- Polarized housings
- -BK denotes bulk packaging
- Tin or Silver plated contacts
- Molded-in dovetails

SB@120 PLUS CONNECTORS (CONT.)

Accessories

For quantities greater than listed, call for quote.

MOUSER STOCK NO.	APP Part No.	Fig.	Description	Price Each			
				1	25	50	100
879-PC-HSG-PP	PC-HSG-PP	A	Guide Housing for PP75, Black	3,90	3,56	3,43	3,12
879-PC-HSG-PP-BK	PC-HSG-PP-BK	A	Guide Housing for PP75, Black	2,83	2,54	2,30	2,19
879-PC-HSG-SB	PC-HSG-SB	A	Guide Housing for SB50, Black	3,81	3,44	3,11	2,95
879-PC-HSG-SB-BK	PC-HSG-SB-BK	A	Guide Housing for SB50, Black	3,68	3,47	3,24	3,02
879-120BBS	120BBS	B	Busbar Contact for PP and SB120 Housings	18,46	17,33	16,20	15,11
879-120BBS-BK	120BBS-BK	B	Busbar Contact for PP and SB120 Housings	10,30	9,26	8,39	7,95

SBS@50 CONNECTORS

For quantities greater than listed, call for quote.

MOUSER STOCK NO.	APP Part No.	Fig.	Color	Price Each			
				1	25	50	100
879-SBS50GRA	SBS50GRA	C	Gray	4,52	4,08	3,69	3,50
879-SBS50GRA-BK	SBS50GRA-BK	C	Gray	2,19	1,97	1,78	1,69
879-SBS50BLU	SBS50BLU	C	Blue	4,52	4,08	3,69	3,50
879-SBS50BLU-BK	SBS50BLU-BK	C	Blue	2,54	2,38	2,23	2,08
879-SBS50RED	SBS50RED	C	Red	4,52	4,08	3,69	3,50
879-SBS50RED-BK	SBS50RED-BK	C	Red	2,19	1,97	1,78	1,69
879-SBS50BLK	SBS50BLK	C	Black	4,52	4,08	3,69	3,50
879-SBS50BLK-BK	SBS50BLK-BK	C	Black	2,65	2,49	2,33	2,16

SBS@75X CONNECTORS

For quantities greater than listed, call for quote.

MOUSER STOCK NO.	APP Part No.	Fig.	Color	Price Each			
				1	25	50	100
879-SBS75XBLK	SBS75XBLK	D	Black	4,69	4,23	3,84	3,63
879-SBS75XBLK-BK	SBS75XBLK-BK	D	Black	4,12	3,87	3,61	3,37

Accessories

For quantities greater than listed, call for quote.

MOUSER STOCK NO.	APP Part No.	Fig.	Description	Price Each			
				1	25	50	100
879-SBS75XCLP1	SBS75XCLP1	E	Cable Clamp, .39 - .60	7,54	6,11	5,78	5,68
879-SBS75XCLP1-BK	SBS75XCLP1-BK	E	Cable Clamp, .39 - .60	3,86	3,52	3,17	2,88
879-SBS75XCLP2	SBS75XCLP2	E	Cable Clamp, .35 - .55	7,54	6,11	5,78	5,68
879-SBS75XCLP2-BK	SBS75XCLP2-BK	E	Cable Clamp, .35 - .55	3,86	3,52	3,17	2,88

SBS50/SBS75x Power Contacts

For quantities greater than listed, call for quote.

MOUSER STOCK NO.	APP Part No.	Fig.	Wire Size		Price Each			
			AWG	mm ²	1	25	50	100
			879-1339G2	1339G2				
879-1339G2-BK	1339G2	F	#6	16	1,53	1,44	1,34	1,25
879-1339G3	1339G3	F	#10/12	4/6	3,42	3,09	2,79	2,64
879-1339G3-BK	1339G3	F	#10/12	4/6	0,98	0,941	0,85	0,767
879-1339G5	1339G5	F	#8	10	3,42	3,09	2,79	2,64
879-1339G5-BK	1339G5	F	#8	10	0,98	0,941	0,85	0,767

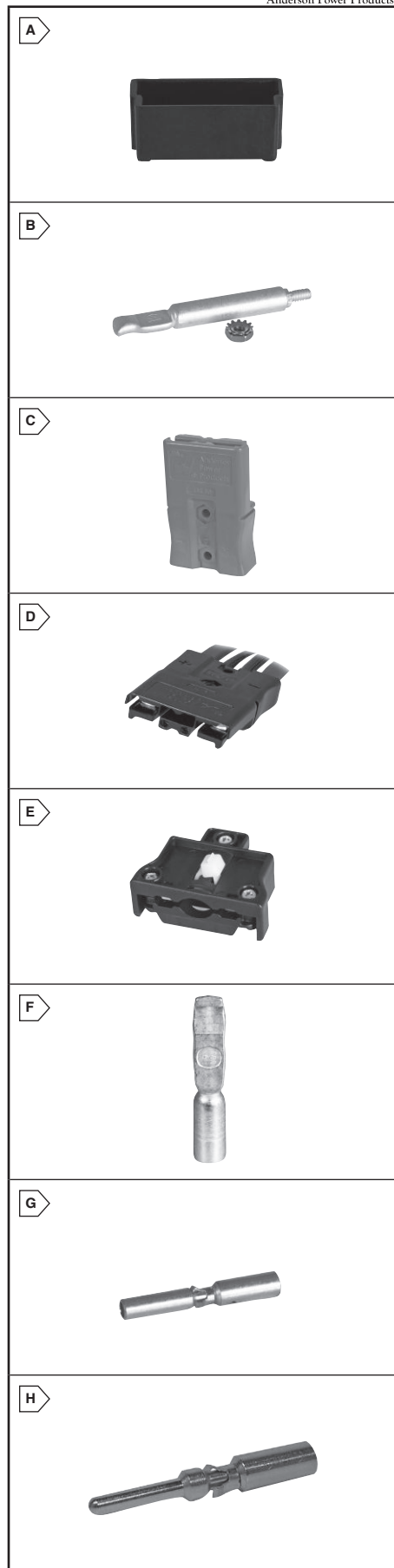
Auxiliary Contacts

For quantities greater than listed, call for quote.

MOUSER STOCK NO.	APP Part No.	Fig.	Wire Size		Price Each			
			AWG	mm ²	1	25	50	100
			Sockets					
879-PM16S1620S32	PM16S1620S32	G	#20 / 16	0.50 / 0.75	0,72	0,619	0,553	0,528
879-PM16S1416S32	PM16S1416S32	G	#16 / 14	1.5 / 2.5	0,72	0,619	0,553	0,528
879-PM16S12S32	PM16S12S32	G	#12	4.0	0,72	0,619	0,553	0,528
Pins								
879-PM16P1620S30	PM16P1620S30	H	#20 / 16	0.50 / 0.75	0,80	0,701	0,668	0,635
879-PM16P1416S30	PM16P1416S30	H	#16 / 14	1.5 / 2.5	0,80	0,701	0,668	0,635
879-PM16P12S30	PM16P12S30	H	#12	4.0	0,80	0,701	0,668	0,635

Tools

MOUSER STOCK NO.	APP Part No.	Description	Price Each
879-1309G4	1309G4	Crimp Tool for SB50, PP75, SBS50	210,38
879-1309G2	1309G2	Crimp Tool for PP15/45 20-12 AWG	210,38
879-1309G3	1309G3	Crimp Tool for PP15/45 10 AWG	210,38
879-111038G3	111038G3	Auxiliary Contact Insertion Tool- For SBS75x	10,31
879-PM1003G1	PM1003G1	Auxiliary Contact Extraction Tool- For SBS75x	67,63
879-PM1000G1	PM1000G1	Auxiliary Four Indent Hand Crimp Tool	772,79



HARTING Han-Yellock® Connector System



This product is RoHS compliant.

HOODS/HOUSINGS

The Han-Yellock® interface consists of a housing, bulkhead mounting on the housing side and a carrier hood with cover on the cable side. Han-Yellock® offers the following features when assembling components:

- Han-Yellock® modules require only male crimp contacts.
- The PE is contacted on the housing; it can be connected with crimp and/or Quick Lock contacts.
- The Han-Yellock® hoods/housing are not plug-compatible with all other Han® hood/housing series.

The Han-Yellock® system can be used with a variety of insulators and contact inserts in order to establish an interface.

Features:

- Two-part hoods for easy wiring and testing
- High robustness via an internal locking mechanism
- Earthed contacts PE in crimped or Quick Lock termination technique
- Protection cover retrofit on housing side

Hood, Size 30

For quantities greater than listed, call for quote.

MOUSER STOCK NO.	HARTING Part No.	Fig.	Cable Entry	Cable Entry Metric	Price Each		
					1	10	25
617-11123001500	11 12 300 1500	A	Side	M20	14,97	13,89	12,90
617-11123001501	11 12 300 1501	A	Side	M25	15,80	14,67	13,62
617-11123001502	11 12 300 1502	A	Side	M32	16,63	15,44	14,34
617-11123001400	11 12 300 1400	B	Top	M20	14,97	13,89	12,90
617-11123001401	11 12 300 1401	B	Top	M25	15,80	14,67	13,62
617-11123001402	11 12 300 1402	B	Top	M32	16,63	15,44	14,34

Carrier Hood, Size 30

For quantities greater than listed, call for quote.

MOUSER STOCK NO.	HARTING Part No.	Fig.	Description	Price Each		
				1	10	25
617-11123000100	11 12 300 0100	C	Plain push button	17,47	16,21	15,06
617-11123000110	11 12 300 0110	D	Push button, slot	19,96	18,53	17,20

Housing, Size 30

For quantities greater than listed, call for quote.

MOUSER STOCK NO.	HARTING Part No.	Fig.	Description	Price Each		
				1	10	25
617-11123000301	11 12 300 0301	E	Bulkhead mounting	13,30	12,34	11,47
617-11123000302	11 12 300 0302	E	Bulkhead mounting with fasteners	16,63	15,44	14,34

MODULES

Features:

- Snap-in assembly from mating side and from termination side
- Wiring with male contacts only
- Bus bar within bridge attachments
- Finger safe design
- Fast and tool-less assembly

For quantities greater than listed, call for quote.

MOUSER STOCK NO.	HARTING Part No.	Fig.	Description	Price Each		
				1	10	25
617-11051053001	11 05 105 3001	F	Module	3,12	2,90	2,69

MULTIPLIER MODULES

Features:

- Visible bridge position from mating side and from termination side
- Multiplier can be placed on the housing side or on the cable side
- Bus bar functionality for 1 up to 5 contacts
- Fast and easy exchange

For quantities greater than listed, call for quote.

MOUSER STOCK NO.	HARTING Part No.	Fig.	Description	Price Each		
				1	10	25
617-11051052801	11 05 105 2801	G	Multiplier Module 1:1	5,82	5,41	5,02
617-11051052802	11 05 105 2802	H	Multiplier Module 2:3	6,65	6,18	5,74
617-11051052803	11 05 105 2803	I	Multiplier Module 3:2	6,65	6,18	5,74
617-11051052804	11 05 105 2804	J	Multiplier Module 4:1	6,65	6,18	5,74
617-11051052805	11 05 105 2805	K	Multiplier Module 5:0	6,65	6,18	5,74

CRIMP CONTACTS

For quantities greater than listed, call for quote.

MOUSER STOCK NO.	HARTING Part No.	Fig.	Description	Price Each		
				1	10	25
617-11050006101	11 05 000 6101	L	Crimp Contact .14-.37mm 26-22 AWG	0,50	0,463	0,429
617-11050006102	11 05 000 6102	L	Crimp Contact 0.5mm 20 AWG	0,50	0,463	0,429
617-11050006103	11 05 000 6103	L	Crimp Contact 0.75mm 18AWG	0,50	0,463	0,429
617-11050006104	11 05 000 6104	L	Crimp Contact 1mm 18 AWG	0,50	0,463	0,429
617-11050006105	11 05 000 6105	L	Crimp Contact 1.5mm 16 AWG	0,50	0,463	0,429
617-11050006106	11 05 000 6106	L	Crimp Contact 2.5mm 14 AWG	0,50	0,463	0,429
617-11050006107	11 05 000 6107	L	Crimp Contact 3mm 12 AWG	0,50	0,463	0,429
617-11050006108	11 05 000 6108	L	Crimp Contact 4mm 12 AWG	0,50	0,463	0,429

ACCESSORIES

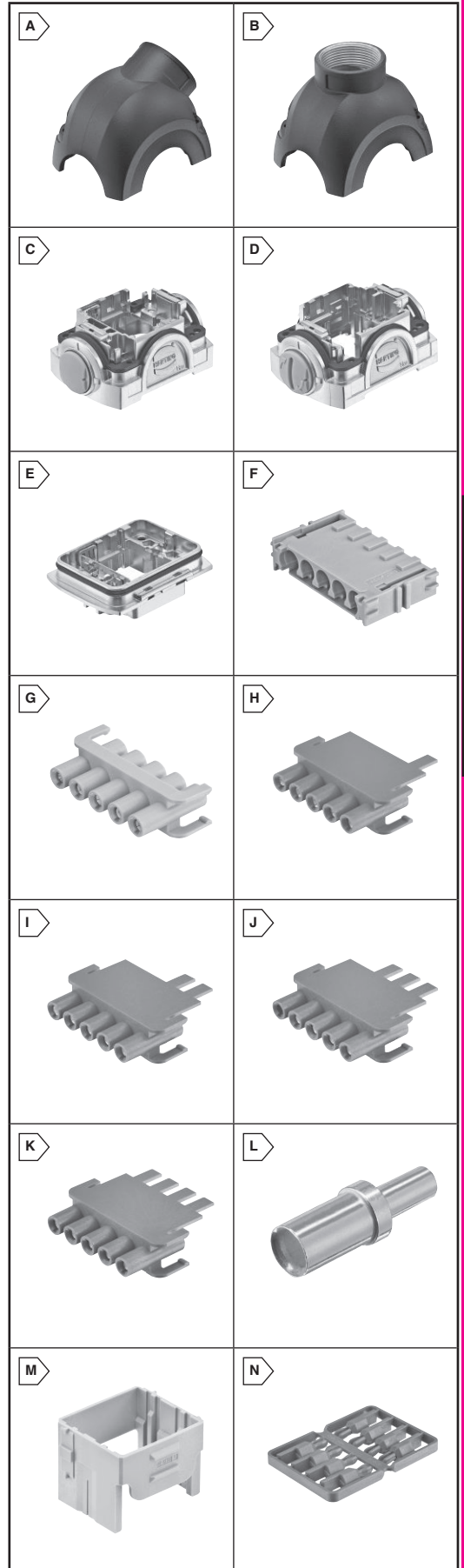
For quantities greater than listed, call for quote.

MOUSER STOCK NO.	HARTING Part No.	Fig.	Description	Price Each		
				1	10	25
617-11003000101	11 00 300 0101	M	HAN Adapter Frame Size 30 for Hoods	3,53	3,28	3,04
617-11003000301	11 00 300 0301	M	HAN Adapter Frame Size 30 for Housings	3,53	3,28	3,04
617-11000009501	11 00 000 9501	N	Coding Pins Set of 8	3,33	3,09	2,86

TOOLS

For quantities greater than listed, call for quote.

MOUSER STOCK NO.	HARTING Part No.	Description	Price Each	
			1	5
617-11990000001	11 99 000 0001	Removal Tool Modules and Frames	1,17	0,806
617-09990000341	09 99 000 0341	Crimp Tool Locator For 09 99 000 0110	36,65	31,01
617-09990000342	09 99 000 0342	Crimp Tool Locator For 09 99 000 0001	2,89	2,45
617-09990000343	09 99 000 0343	Crimp Tool Locator For 09 99 000 0021	27,48	23,25



3M™ .100" x .100" Pin Strip Headers



2300 SERIES

Specifications:

- Insulation material: Glass filled thermoplastic, Black, UL94V-0
- Contact material: Copper alloy
- Tail plating: 100µ" Tin
- Current rating: 3A
- Withstanding voltage: 1000Vrms
- Operating Temperature: -55°C to +105°C
- Mates with socket series 929 and CHG



For quantities greater than listed, call for quote.

MOUSER STOCK NO.	3M Part No.	Fig.	No. of Positions	Orientation	Mating Length	Contact Plating	Price Each			
							1	10	25	50
Single Row										
517-2301-6111TG	2301-6111TG	A	1	Straight	0.23	10µ" Gold	0,03	0,021	0,019	0,017
517-2312-6111TG	2312-6111TG	A	12	Straight	0.23	10µ" Gold	0,67	0,582	0,517	0,447
517-6111TG	2340-6111TG	A	40	Straight	0.23	10µ" Gold	1,45	1,32	1,26	1,19
517-6211TG	2340-6211TG	A	40	Straight	0.318	10µ" Gold	1,37	1,25	1,13	1,04
517-5111TG	2340-5111TG	B	40	Right Angle	0.23	10µ" Gold	1,37	1,22	1,13	1,04
Double Row										
517-2308-6121TG	2308-6121TG	C	8	Straight	0.23	10µ" Gold	0,24	0,206	0,183	0,158
517-2316-6121TG	2316-6121TG	C	16	Straight	0.23	10µ" Gold	0,75	0,66	0,587	0,508
517-2320-6121TG	2320-6121TG	C	20	Straight	0.23	10µ" Gold	1,08	0,949	0,842	0,73
517-2330-6121TG	2330-6121TG	C	30	Straight	0.23	10µ" Gold	1,06	0,99	0,924	0,891
517-2350-6121TG	2350-6121TG	C	50	Straight	0.23	10µ" Gold	1,86	1,72	1,56	1,44
517-6121TG	2380-6121TG	C	80	Straight	0.23	10µ" Gold	2,63	2,39	2,26	2,14
517-6221TG	2380-6221TG	C	80	Straight	0.318	10µ" Gold	2,49	2,30	2,10	1,93
517-5121TG	2380-5121TG	D	80	Right Angle	0.23	10µ" Gold	2,49	2,39	2,28	2,15

929 SERIES

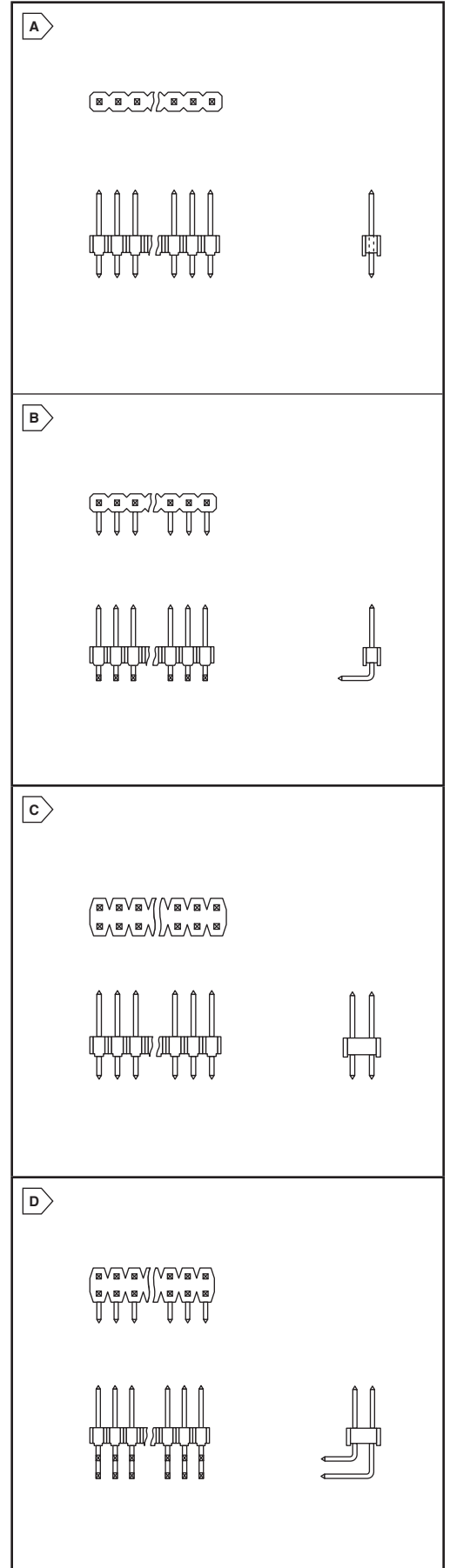
Specifications:

- Insulation material: Glass filled polyester (PBT), Black, UL94V-0
- Contact material: Copper alloy
- Tail plating: 100µ" Tin
- Current rating: 2.5A
- Withstanding voltage: 1500Vrms
- Operating Temperature: -40°C to +105°C
- Mates with socket series 929 and CHG



For quantities greater than listed, call for quote.

MOUSER STOCK NO.	3M Part No.	Fig.	No. of Positions	Orientation	Mating Length	Contact Plating	Price Each			
							1	10	25	50
Straight Solder Tail, Single Row										
517-647-01-02	929647-01-02-I	A	2	.110	.235"	Gold	0,26	0,227	0,201	0,175
517-834-01-03	929834-01-03	A	3	.110	.235"	Tin	0,19	0,165	0,147	0,127
517-647-01-03	929647-01-03-I	A	3	.110	.235"	Gold	0,38	0,33	0,294	0,254
517-834-01-06	929834-01-06	A	6	.110	.235"	Tin	0,31	0,268	0,238	0,206
517-400-01-08	929400-01-08	A	8	.135	.295"	Tin	0,50	0,433	0,385	0,333
517-400-01-10	929400-01-10	A	10	.135	.295"	Tin	0,64	0,557	0,495	0,428
517-647-01-18	929647-01-18-I	A	18	.110	.235"	Gold	1,96	1,71	1,52	1,31
517-800-01-36	929800-01-36	A	36	.110	.093"	Tin	1,82	1,59	1,41	1,22
517-647-01-36	929647-01-36-I	A	36	.110	.235"	Gold	2,70	2,49	2,27	2,09
517-647-02-36	929647-02-36-I	A	36	.210	.235"	Gold	4,09	3,65	3,38	3,01
517-647-03-36	929647-03-36-I	A	36	.410	.235"	Gold	4,97	4,59	4,32	3,96
517-647-04-36	929647-04-36-I	A	36	.510	.235"	Gold	4,74	4,38	3,99	3,67
517-647-05-36	929647-05-36-I	A	36	.610	.235"	Gold	4,62	4,27	3,89	3,58
517-647-07-36	929647-07-36-I	A	36	.910	.235"	Gold	5,95	5,49	5,01	4,60
517-647-09-36	929647-09-36-I	A	36	.145	.235"	Gold	2,40	2,21	2,08	1,91
517-834-01-36	929834-01-36	A	36	.110	.235"	Tin	1,04	0,957	0,899	0,858
517-834-02-36	929834-02-36	A	36	.210	.235"	Tin	1,30	1,20	1,13	1,07
517-834-03-36	929834-03-36	A	36	.410	.235"	Tin	1,51	1,39	1,30	1,24
517-834-04-36	929834-04-36	A	36	.510	.235"	Tin	2,31	2,02	1,79	1,55
517-834-05-36	929834-05-36	A	36	.610	.235"	Tin	1,77	1,63	1,50	1,42
517-834-07-36	929834-07-36	A	36	.910	.235"	Tin	2,01	1,90	1,79	1,72
517-400-01-36	929400-01-36	A	36	.135	.295"	Tin	1,72	1,50	1,34	1,16
517-450-01-36	929450-01-36-I	A	36	.135	.295"	Gold	2,85	2,60	2,47	2,35
517-705-09-36	929705-09-36-I	A	36	.145	.318"	Gold	3,54	3,27	3,09	2,91
517-705-11-36	929705-11-36-I	A	36	.125	.318"	Gold	2,99	2,76	2,52	2,32
517-700-01-36	929700-01-36	A	36	.110	.318"	Tin	1,82	1,59	1,41	1,22
517-700-06-36	929700-06-36	A	36	.710	.318"	Tin	1,89	1,74	1,59	1,46
517-700-11-36	929700-11-36	A	36	.125	.318"	Tin	1,49	1,34	1,28	1,21
Right Angle Solder Tail, Single Row										
517-835-01-05	929835-01-05	B	5	.110	.235"	Tin	0,31	0,268	0,238	0,206
517-550-01-08	929550-01-08-I	B	8	.135	.295"	Gold	0,97	0,792	0,677	0,644
517-835-01-16	929835-01-16	B	16	.110	.235"	Tin	0,73	0,668	0,635	0,611
517-550-01-36	929550-01-36-I	B	36	.135	.295"	Gold	3,66	3,38	3,09	2,84
517-500-01-36	929500-01-36	B	36	.135	.295"	Tin	1,44	1,30	1,23	1,16
Straight Solder Tail, Double Row										
517-836-01-02	929836-01-02	C	4	.110	.235"	Tin	0,20	0,177	0,158	0,136
517-836-01-04	929836-01-04	C	8	.110	.235"	Tin	0,32	0,297	0,289	0,272
517-836-01-05	929836-01-05	C	10	.110	.235"	Tin	0,55	0,474	0,422	0,365
517-836-01-10	929836-01-10	C	20	.110	.235"	Tin	0,89	0,825	0,776	0,751
517-665-01-36	929665-01-36-I	C	72	.110	.235"	Gold	4,54	4,19	3,82	3,51
517-665-02-36	929665-02-36-I	C	72	.210	.235"	Gold	5,82	5,38	4,91	4,51
517-665-03-36	929665-03-36-I	C	72	.410	.235"	Gold	7,74	7,13	6,72	6,35
517-665-04-36	929665-04-36-I	C	72	.510	.235"	Gold	9,22	8,51	7,76	7,14
517-665-05-36	929665-05-36-I	C	72	.610	.235"	Gold	11,53	10,64	9,71	8,93
517-665-08-36	929665-08-36-I	C	72	.310	.235"	Gold	6,46	5,96	5,45	5,00
517-665-09-36	929665-09-36-I	C	72	.145	.235"	Gold	5,52	5,08	4,79	4,54
517-836-01-36	929836-01-36	C	72	.110	.235"	Tin	2,36	2,17	1,98	1,82
517-836-02-36	929836-02-36	C	72	.210	.235"	Tin	2,43	2,16	2,05	1,91
517-836-03-36	929836-03-36	C	72	.410	.235"	Tin	2,90	2,58	2,47	2,33
517-836-04-36	929836-04-36	C	72	.510	.235"	Tin	3,38	3,12	2,68	2,33
517-836-05-36	929836-05-36	C	72	.610	.235"	Tin	3,23	2,97	2,80	2,65
517-836-08-36	929836-08-36	C	72	.310	.235"	Tin	3,26	3,00	2,82	2,67
517-836-09-36	929836-09-36	C	72	.145	.235"	Tin	2,55	2,34	2,21	2,10
517-715-01-36	929715-01-36-I	C	72	.110	.318"	Gold	6,05	5,56	5,25	4,97
517-710-01-36	929710-01-36	C	72	.110	.318"	Tin	2,67	1,96	1,86	1,69
517-710-03-36	929710-03-36	C	72	.410	.318"	Tin	4,41	3,95	3,66	3,40
Right Angle Solder Tail, Double Row										
517-667-01-36	929667-01-36-I	D	72	.110	.235"	Gold	3,39	3,14	2,85	2,63
517-838-02-36	929838-02-36	D	72	.405	.235"	Tin	3,32	3,07	2,89	2,74
517-838-04-36	929838-04-36	D	72	.145	.235"	Tin	3,24	2,99	2,82	2,66



3M™ .100" x .100" Boardmount Connectors



RoHS Compliant This product is RoHS compliant.

2500 SERIES .100" X .100" LOW PROFILE BOX HEADERS

Specifications:

- Solder Tail Type
- Low profile, space saving design
- High temperature insulator suitable for "no lead" soldering operations
- Suitable for reflow soldering using "paste in hole" techniques
- Insulation material: Glass filled polyester (PCT)
- Flammability: UL 94V-0
- Color: Black
- Contact material: Copper Alloy
- Contact plating: 30µ" Gold
- Terminal finish indicator: e3 (per JESD97)
- Current rating: 2A
- Insulation resistance: >1x 109 @ 500VDC
- Withstanding voltage: 1000 Vrms @ sea level
- Temperature rating: 55°C to +105°C
- Process rating: Maximum 260°C, single pass, (profile per J-STD-020C)
- Moisture sensitivity level: 1 (per J-STD-020C)
- Mates w/socket series: CHG, 8500, 3000, and 891
- RoHS compliant per 3M documentation

For quantities greater than listed, call for quote.

MOUSER STOCK NO.	3M Part No.	Fig.	No. of Positions	Price Each			
				1	25	50	100
Straight - Through Hole							
517-N2510-6002RB	N2510-6002RB	A	10	1,13	0,932	0,875	0,858
517-N2514-6002RB	N2514-6002RB	A	14	1,16	1,02	1,02	1,02
517-N2516-6002RB	N2516-6002RB	A	16	1,01	1,01	1,01	1,01
517-N2520-6002RB	N2520-6002RB	A	20	1,35	1,14	1,12	1,12
517-N2524-6002RB	N2524-6002RB	A	24	1,71	1,71	1,71	1,71
517-N2526-6002RB	N2526-6002RB	A	26	1,46	1,44	1,44	1,28
517-N2530-6002RB	N2530-6002RB	A	30	1,98	1,98	1,98	1,98
517-N2534-6002RB	N2534-6002RB	A	34	1,75	1,60	1,60	1,60
517-N2540-6002RB	N2540-6002RB	A	40	1,87	1,65	1,65	1,65
517-N2550-6002RB	N2550-6002RB	A	50	2,46	2,46	2,46	2,46
517-N2560-6002RB	N2560-6002RB	A	60	2,78	2,72	2,72	2,72
517-N2564-6002RB	N2564-6002RB	A	64	2,46	2,29	2,10	1,97
Right Angle - Through Hole							
517-N2510-5002RB	N2510-5002RB	B	10	1,25	1,06	0,965	0,949
517-N2514-5002RB	N2514-5002RB	B	14	1,29	1,18	1,11	1,09
517-N2516-5002RB	N2516-5002RB	B	16	1,44	1,21	1,16	1,16
517-N2520-5002RB	N2520-5002RB	B	20	1,51	1,27	1,16	1,15
517-N2524-5002RB	N2524-5002RB	B	24	1,32	1,23	1,13	1,06
517-N2526-5002RB	N2526-5002RB	B	26	1,59	1,34	1,33	1,33
517-N2530-5002RB	N2530-5002RB	B	30	2,01	1,98	1,98	1,98
517-N2534-5002RB	N2534-5002RB	B	34	1,70	1,64	1,64	1,64
517-N2540-5002RB	N2540-5002RB	B	40	1,87	1,87	1,87	1,87
517-N2550-5002RB	N2550-5002RB	B	50	2,32	2,32	2,32	2,32
Straight - Surface Mount							
517-N2510-6V0C-RB-WD	N2510-6V0C-RB-WD	C	10	1,40	1,40	1,40	1,40
517-N2514-6V0C-RB-WD	N2514-6V0C-RB-WD	C	14	1,34	1,13	1,04	1,01
517-N2516-6V0C-RB-WE	N2516-6V0C-RB-WE	C	16	1,48	1,24	1,15	1,12
517-N2520-6V0C-RB-WE	N2520-6V0C-RB-WE	C	20	1,53	1,29	1,19	1,15
517-N2524-6V0C-RB-WE	N2524-6V0C-RB-WE	C	24	1,61	1,35	1,25	1,22
517-N2526-6V0C-RB-WF	N2526-6V0C-RB-WF	C	26	1,63	1,38	1,26	1,22
517-N2530-6V0C-RB-WF	N2530-6V0C-RB-WF	C	30	1,85	1,56	1,44	1,40
517-N2534-6V0C-RB-WF	N2534-6V0C-RB-WF	C	34	1,92	1,73	1,58	1,45
517-N2540-6V0C-RB-WG	N2540-6V0C-RB-WG	C	40	1,96	1,77	1,64	1,55
517-N2550-6V0C-RB-WG	N2550-6V0C-RB-WG	C	50	2,48	2,09	1,93	1,89

D2500 SERIES .100" X .100" LOW PROFILE BOX HEADERS

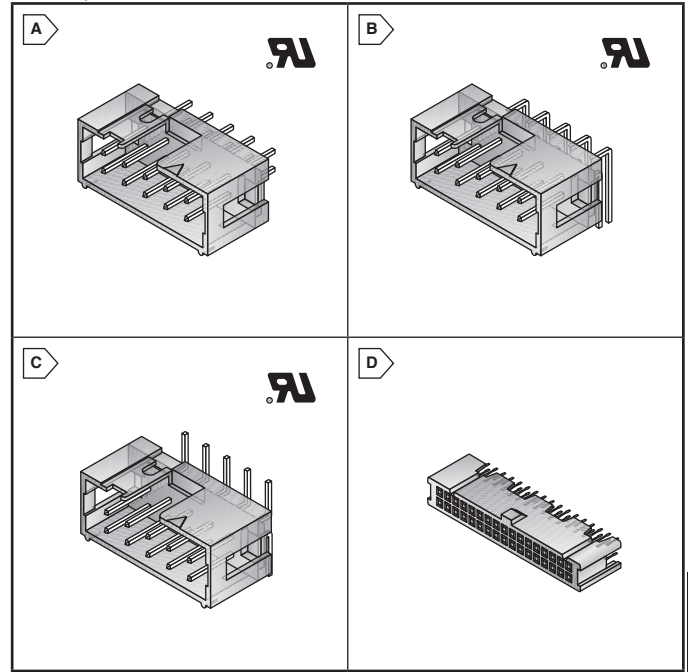
Specifications:

- Contact Plating 10µ" Gold
- Low profile, space saving design
- High temperature insulator suitable for "no lead" soldering operations
- Insulation material: Glass filled polyester (PCT)
- Flammability: UL 94V-0
- Color: Black

For quantities greater than listed, call for quote.

MOUSER STOCK NO.	3M Part No.	Fig.	No. of Positions	Price Each			
				1	25	50	100
Straight - Through Hole							
517-D2510-6002-AR	D2510-6002-AR	A	10	0,75	0,635	0,594	0,561
517-D2514-6002-AR	D2514-6002-AR	A	14	0,88	0,734	0,677	0,664
517-D2516-6002-AR	D2516-6002-AR	A	16	0,98	0,825	0,751	0,743
517-D2520-6002-AR	D2520-6002-AR	A	20	1,01	0,949	0,875	0,769
517-D2526-6002-AR	D2526-6002-AR	A	26	1,10	0,924	0,85	0,833
517-D2530-6002-AR	D2530-6002-AR	A	30	1,25	1,06	0,982	0,932
517-D2534-6002-AR	D2534-6002-AR	A	34	1,30	1,11	1,06	1,01
517-D2540-6002-AR	D2540-6002-AR	A	40	1,38	1,18	1,09	1,04
517-D2550-6002-AR	D2550-6002-AR	A	50	1,70	1,46	1,34	1,28
Right Angle - Through Hole							
517-D2510-5002-AR	D2510-5002-AR	B	10	0,84	0,743	0,677	0,619
517-D2514-5002-AR	D2514-5002-AR	B	14	0,94	0,809	0,743	0,71
517-D2516-5002-AR	D2516-5002-AR	B	16	1,08	0,908	0,833	0,821
517-D2520-5002-AR	D2520-5002-AR	B	20	1,13	0,949	0,875	0,858
517-D2526-5002-AR	D2526-5002-AR	B	26	1,20	1,01	0,924	0,908
517-D2530-5002-AR	D2530-5002-AR	B	30	1,63	1,49	1,34	1,24
517-D2534-5002-AR	D2534-5002-AR	B	34	1,39	1,20	1,11	1,05
517-D2540-5002-AR	D2540-5002-AR	B	40	1,54	1,52	1,43	1,17
517-D2550-5002-AR	D2550-5002-AR	B	50	1,87	1,60	1,48	1,40
Straight - Surface Mount							
517-D2510-6V0C-AR-WD	D2510-6V0C-AR-WD	C	10	0,86	0,784	0,71	0,652
517-D2514-6V0C-AR-WD	D2514-6V0C-AR-WD	C	14	0,99	0,85	0,784	0,743
517-D2516-6V0C-AR-WE	D2516-6V0C-AR-WE	C	16	1,11	1,10	1,03	0,842
517-D2520-6V0C-AR-WE	D2520-6V0C-AR-WE	C	20	1,13	0,965	0,891	0,85
517-D2526-6V0C-AR-WF	D2526-6V0C-AR-WF	C	26	1,22	1,15	1,06	0,924
517-D2530-6V0C-AR-WF	D2530-6V0C-AR-WF	C	30	1,36	1,17	1,08	1,02
517-D2540-6V0C-AR-WH	D2540-6V0C-AR-WH	C	40	1,50	1,39	1,32	1,16
517-D2550-6V0C-AR-WG	D2550-6V0C-AR-WG	C	50	1,84	1,71	1,56	1,42

© Copyright 2012 Mouser Electronics



303 SERIES .100" X .100", LOW PROFILE BOX HEADERS

Specifications:

- Sturdy body
- End windows
- Insulation material: Glass filled polyester (PBT)
- Flammability: UL94V-0
- Insulation color: Black
- Contact material: Brass
- Contact plating: Gold flash
- Current rating: 1A
- Insulation resistance: >1x 109 @ 500VDC
- Withstanding voltage: 500Vrms @ sea level
- Temperature rating: -55°C to +105°C
- Mates with socket series: CHG, 8500, 3000, & 891
- RoHS compliant per 3M documentation

For quantities greater than listed, call for quote.

MOUSER STOCK NO.	3M Part No.	Fig.	No. of Positions	Price Each			
				1	25	50	100
Straight - Through Hole							
517-30310-6002	30310-6002HB	A	10	0,34	0,314	0,297	0,289
517-30314-6002	30314-6002HB	A	14	0,83	0,701	0,644	0,619
517-30316-6002	30316-6002HB	A	16	0,44	0,429	0,421	0,404
517-30320-6002	30320-6002HB	A	20	0,47	0,446	0,421	0,404
517-30326-6002	30326-6002HB	A	26	0,53	0,487	0,454	0,437
517-30334-6002	30334-6002HB	A	34	0,76	0,693	0,619	0,569
517-30340-6002	30340-6002HB	A	40	0,73	0,677	0,644	0,611
517-30350-6002	30350-6002HB	A	50	0,53	0,487	0,454	0,437
Right Angle - Through Hole							
517-30310-5002	30310-5002HB	B	10	0,45	0,429	0,404	0,388
517-30314-5002	30314-5002HB	B	14	0,52	0,495	0,47	0,454
517-30316-5002	30316-5002HB	B	16	0,74	0,71	0,677	0,644
517-30320-5002	30320-5002HB	B	20	0,54	0,512	0,479	0,454
517-30326-5002	30326-5002HB	B	26	0,62	0,594	0,569	0,553
517-30334-5002	30334-5002HB	B	34	0,94	0,809	0,743	0,71
517-30340-5002	30340-5002HB	B	40	1,11	1,10	1,03	0,842
517-30350-5002	30350-5002HB	B	50	0,62	0,569	0,52	0,503

8500 SERIES .100" X .100" POLARIZED BOARDMOUNT SOCKETS

Specifications:

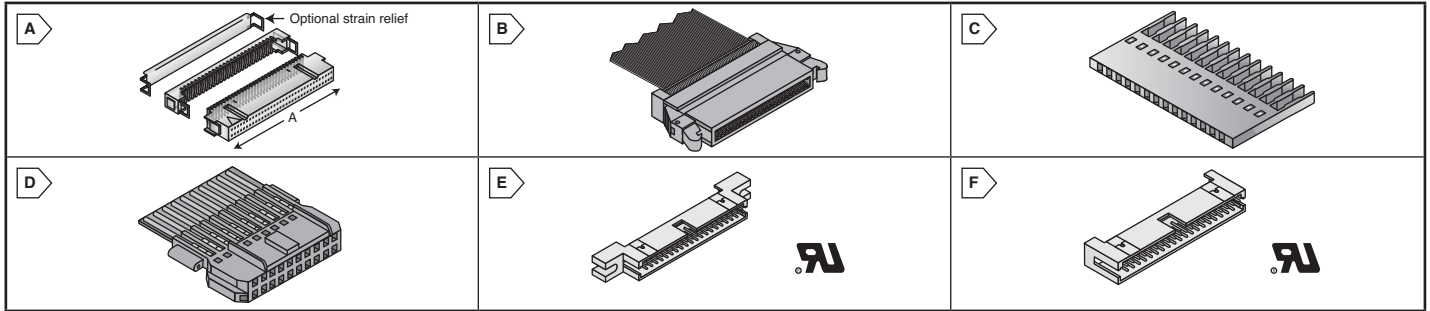
- Centerbump polarization
- Mates with low profile shrouded headers
- Board retention feature
- Insulation material: Glass filled polyester (PBT), gray, UL 94V-0
- Contact material: Copper alloy
- Contact plating: 12µ" Gold
- Current rating: 1A
- Withstanding voltage: 1000Vrms
- Temperature rating: -55°C to +105°C
- Mates w/ Header Series: 3000, 2500, & 303 Plug Series: 4600

For quantities greater than listed, call for quote.

MOUSER STOCK NO.	3M Part No.	Fig.	No. of Positions	Price Each			
				1	25	50	100
517-8510-4500PL	8510-4500PL	D	10	1,54	1,42	1,36	1,36
517-8520-4500PL	8520-4500PL	D	20	2,78	2,34	2,15	2,10
517-8526-4500PL	8526-4500PL	D	26	2,78	2,55	2,40	2,40
517-8534-4500PL	8534-4500PL	D	34	3,88	3,27	3,00	2,95
517-8540-4500PL	8540-4500PL	D	40	3,38	3,23	3,23	3,23
517-8550-4500PL	8550-4500PL	D	50	4,62	4,22	3,91	3,87

© Copyright 2012 Mouser Electronics

3M™ .050" and .100" Wiremount Connectors



8200 SERIES .050" X .100" TRIPOLARIZED MINI WIREMOUNT SOCKETS

For .025" Pitch Cable

Specifications:

- Hill-n-dale design provides a high performance IDC termination
- Insert-molded copper alloy contacts for superior strength and reliability
- Insulation material: Glass filled polyester (PBT), Gray, UL 94V-0
- Temperature rating: -55°C to +105°C
- Metal cover latch
- Plating: Tin-lead
- Current rating: 0.5A
- Withstand voltage: 500Vrms



For quantities greater than listed, call for quote.

MOUSER STOCK NO.	3M Part No.	Fig.	No. of Positions	Dimensions "A" mm (in.)	Price Each			
					1	25	50	100
Strain Relief Included								
517-82020-6006	82020-6006	A	20	19.18 (0.755)	6,47	5,44	5,01	4,90
517-82026-6006	82026-6006	A	26	22.99 (0.905)	7,58	6,37	5,87	5,75
517-82040-6006	82040-6006	A	40	31.88 (1.255)	10,11	8,51	7,85	7,67
517-82050-6006	82050-6006	A	50	38.23 (1.505)	11,88	9,98	9,22	9,01
517-82060-6006	82060-6006	A	60	44.58 (1.755)	13,69	12,51	11,39	9,87
517-82068-6006	82068-6006	A	68	49.66 (1.955)	15,14	12,72	11,74	11,48
517-82080-6006	82080-6006	A	80	57.28 (2.255)	17,33	14,57	13,44	13,15
517-82100-6006	82100-6006	A	100	69.98 (2.755)	20,99	17,64	16,27	15,92

CHG SERIES SOCKETS (CONT.)

For quantities greater than listed, call for quote.

MOUSER STOCK NO.	3M Part No.	Fig.	No. of Pos.	Current Ratings	Wire AWG	Price Each		
						1	10	25
.100" Pak 100 Wiremount Sockets (Cont.)								
517-CHG-1006-11-KEP	CHG-1006-001010-KEP	C	6	2A	22-24	3,26	3,00	2,83
517-CHG-1008-11-KEP	CHG-1008-001010-KEP	C	8	1.5A	26-28	3,23	2,99	2,72
517-CHG-1008-11-KEP	CHG-1008-001010-KEP	C	8	2A	22-24	3,35	3,09	2,82
517-CHG-1010-11-KEP	CHG-1010-001010-KEP	C	10	2A	22-24	3,55	3,28	2,99
517-CHG-1014-11-KEP	CHG-1014-001010-KEP	C	14	1.5A	26-28	3,08	2,84	2,59
.100" Pak 100 Polarized Wiremount Sockets								
517-CHG-2010-J11-KCP	CHG-2010-J01010-KCP	D	10	1.5A	26-28	2,70	2,49	2,27
517-2010-0101	CHG-2010-J01010-KCP	D	10	2A	22-24	3,15	3,15	3,15
517-CHG-2014-J11-KCP	CHG-2014-J01010-KCP	D	14	2A	22-24	3,76	3,47	3,17
517-CHG-2016-J11-KCP	CHG-2016-J01010-KCP	D	16	2A	22-24	3,49	3,22	2,94
517-CHG20-J01010-KCP	CHG-2020-J01010-KCP	D	20	1.5A	26-28	4,04	3,73	3,40
517-CHG20-J01010-KCP	CHG-2020-J01010-KCP	D	20	2A	22-24	4,04	3,73	3,40
517-CHG-2024-J11-KCP	CHG-2024-J01010-KCP	D	24	2A	22-24	4,85	4,47	4,08
517-CHG-2026-J01010	CHG-2026-J01010-KCP	D	26	2A	22-24	5,26	4,85	4,43
517-CHG-2030-J11-KCP	CHG-2030-J01010-KCP	D	30	2A	22-24	5,06	4,66	4,26
517-2034-J01010	CHG-2034-J01010-KCP	D	34	2A	22-24	5,73	5,28	4,82
517-CHG-2040-J11-KCP	CHG-2040-J01010-KCP	D	40	1.5A	26-28	6,05	5,59	5,10
517-CHG-2040-J11-KCP	CHG-2040-J01010-KCP	D	40	2A	22-24	6,05	5,59	5,10
517-CHG2050J01010KEP	CHG-2050-J01010-KCP	D	50	2A	22-24	6,72	6,20	5,66

Rectangular Connectors

3M

.050" PAK 50 WIREMOUNT SOCKETS

Features:

- Stranded PVC Flat Ribbon Cable
- Latch/eject mechanism maintains a secure connection
- Color: Black
- Current rating: 0.5A
- Temperature rating: -55°C to +85°C
- Plating: 10µ" Gold
- RoHS Compliant per 3M documentation



RoHS Compliant

For quantities greater than listed, call for quote.

MOUSER STOCK NO.	3M Part No.	Fig.	No. of Positions	Price Each			
				1	10	25	50
P25E Series • Wire Accommodation: .025" 30AWG • Compatible w/ 3M™ 3754 Series Cable							
517-P25E-020S-EA	P25E-020S-EA	B	20	8,32	7,68	7,00	6,66
517-P25E-050S-EA	P25E-050S-EA	B	50	10,45	9,64	8,79	8,36
517-P25E-080S-EA	P25E-080S-EA	B	80	11,86	10,95	10,36	10,36
517-P25E-100S-EA	P25E-100S-EA	B	100	12,82	11,84	10,79	10,25
P50E Series • Wire Accommodation: .050" 28AWG • Compatible w/ 3M™ 3365 Series Cable							
517-P50E-040S-EA	P50E-040S-EA	B	40	8,98	7,69	7,27	6,84
517-P50E-080S-EA	P50E-080S-EA	B	80	12,89	11,90	10,85	10,31
517-P50E-100S-EA	P50E-100S-EA	B	100	14,47	13,36	12,19	11,57

CHG SERIES SOCKETS

Specifications:

- Twin slot IDC provides 4 points of contact
- Temperature rating: -55°C to +105°C
- Plating: 30µ" Gold
- Insulation material: Glass Filled Polyester (PBT), gray UL 94V-0
- Contact material: Copper alloy
- Exclusive L/H 4-wipe contact
- RoHS Compliant per 3M documentation



RoHS Compliant

For quantities greater than listed, call for quote.

MOUSER STOCK NO.	3M Part No.	Fig.	No. of Pos.	Current Ratings	Wire AWG	Price Each		
						1	10	25
.100" Pak 100 Wiremount Sockets								
517-CHG-1002-11-KCP	CHG-1002-001010-KCP	C	2	1.5A	26-28	2,17	2,02	1,88
517-CHG-1002-11-KCP	CHG-1002-001010-KCP	C	2	2A	22-24	2,70	2,48	2,27
517-CHG-1003-11-KCP	CHG-1003-001010-KCP	C	3	1.5A	26-28	2,30	2,15	1,99
517-CHG-1003-11-KCP	CHG-1003-001010-KCP	C	3	2A	22-24	2,30	2,15	1,99
517-CHG-1004-11-KCP	CHG-1004-001010-KCP	C	4	1.5A	26-28	2,42	2,25	2,09
517-CHG-1004-11-KCP	CHG-1004-001010-KCP	C	4	2A	22-24	2,42	2,25	2,09
517-CHG-1005-11-KCP	CHG-1005-001010-KCP	C	5	1.5A	26-28	3,64	3,38	3,14
517-CHG-1005-11-KCP	CHG-1005-001010-KCP	C	5	2A	22-24	2,52	2,44	2,35

4600 SERIES .100" X .100" WIREMOUNT PLUGS IDC SHROUDED HEADERS

Specifications:

- Shrouded to protect against physical and chemical pin damage
- Accepts flat cable or discrete wire
- Insulation material: Glass filled polyester (PBT)
- Flammability: UL 94V-0
- Color: Gray
- Contact material: Copper alloy
- Wire Accommodation: 26 and 28AWG solid or stranded
- RoHS compliant per 3M™ documentation
- Current rating: 1A
- Temperature rating: -55°C to +105°C
- Plating: 30µ" Gold
- Open end cover included
- Mates with socket series: CHG, 8500, 3000, and 891



RoHS Compliant

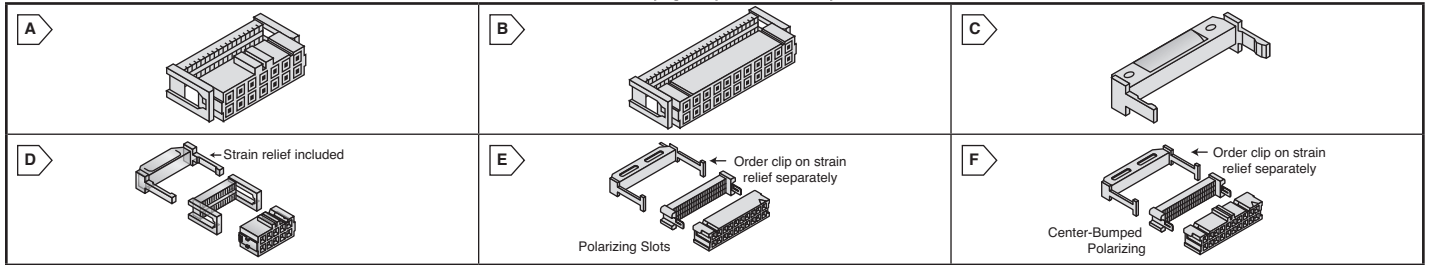
For quantities greater than listed, call for quote.

MOUSER STOCK NO.	3M Part No.	Fig.	No. of Positions	Price Each				
				1	25	50	100	
With Mounting Flange								
517-4610-6050	4610-6050	E	10	2,44	2,14	2,14	2,14	
517-4614-6000	4614-6000	E	14	3,38	2,96	2,96	2,96	
517-4616-6000	4616-6000	E	16	3,84	3,23	2,97	2,87	
517-4620-6000	4620-6000	E	20	4,47	3,91	3,91	3,91	
517-4624-6000	4624-6000	E	24	4,92	4,14	3,80	3,69	
517-4626-6000	4626-6000	E	26	5,09	5,03	5,03	5,03	
517-4634-6000	4634-6000	E	34	6,31	5,31	4,88	4,73	
517-4640-6000	4640-6000	E	40	6,99	5,87	5,61	5,30	
517-4650-6000	4650-6000	E	50	7,57	6,79	6,79	6,79	
Without Mounting Flange								
517-4610-6051	4610-6051	F	10	2,43	2,02	1,92	1,85	
517-4614-6001	4614-6001	F	14	3,38	2,96	2,96	2,96	
517-4616-6001	4616-6001	F	16	3,84	3,23	2,97	2,87	
517-4620-6001	4620-6001	F	20	4,47	3,76	3,46	3,35	
517-4626-6001	4626-6001	F	26	5,08	4,27	4,04	3,96	
517-4634-6001	4634-6001	F	34	6,31	5,31	4,88	4,73	
517-4640-6001	4640-6001	F	40	6,99	5,87	5,61	5,30	
517-4650-6001	4650-6001	F	50	7,58	7,49	7,49	7,49	
Accessories				Description				
517-3448-4610	3448-4610			10P strain relief	0,48	0,404	0,371	0,363
517-3448-4614	3448-4614			14P strain relief	1,25	1,06	0,974	0,941
517-3448-4616	3448-4616			16P strain relief	0,89	0,751	0,693	0,668
517-3448-4620	3448-4620			20P strain relief	0,74	0,619	0,569	0,553
517-3448-4624	3448-4624			24P strain relief	1,22	1,03	0,949	0,916
517-3448-4626	3448-4626			26P strain relief	1,29	1,09	0,998	0,965
517-3448-4634	3448-4634			34P strain relief	0,78	0,652	0,602	0,578
517-3448-4640	3448-4640			40P strain relief	0,79	0,668	0,611	0,594
517-3448-4650	3448-4650			50P strain relief	0,95	0,792	0,734	0,71
517-3518	3518			polarization key	0,19	0,194	0,194	0,194
517-3505-16	3505-16			short latch; .726mm	0,12	0,107	0,101	0,091
517-3505-17	3505-17			long latch; .875mm	0,16	0,16	0,16	0,16

3M™ .100" x .100" Wiremount Connectors



RoHS Compliant This page of product is compliant.



891 SERIES WIREMOUNT SOCKETS

Preassembled Wiremount Sockets

- Plating: 30µ" Gold
- Contact Material: Phosphor Bronze (C510)
- Current Rating: 1A
- Mates with Header Series 3000, 2500 and 303, Plug Series 4600
- RoHS Compliant per 3M™ documentation

For quantities greater than listed, call for quote.

MOUSER STOCK NO.	3M Part No.	Fig.	No. of Positions	Price Each			
				1	25	50	100
Centerbump Polarizing							
517-89110-0101	89110-0101	A	10	0,68	0,627	0,575	0,553
517-89114-0101	89114-0101	A	14	0,69	0,644	0,603	-
517-89116-0101	89116-0101	A	16	0,57	0,546	0,546	-
517-89120-0101	89120-0101	A	20	1,01	0,932	0,858	0,776
517-89126-0101	89126-0101	A	26	0,92	0,917	0,917	0,917
517-89130-0101	89130-0101	A	30	0,69	0,578	0,536	0,52
517-89134-0101	89134-0101	A	34	0,95	0,873	-	-
517-89140-0101	89140-0101	A	40	1,11	0,974	0,883	0,842
517-89150-0101	89150-0101	A	50	1,29	1,19	1,07	0,941

Without Centerbump Polarizing

MOUSER STOCK NO.	3M Part No.	Fig.	No. of Positions	Price Each			
				1	25	50	100
517-89110-0001	89110-0001	B	10	0,53	0,487	0,446	0,404
517-89114-0001	89114-0001	B	14	0,55	0,503	0,462	0,421
517-89116-0001	89116-0001	B	16	0,57	0,52	0,47	0,437
517-89120-0001	89120-0001	B	20	0,62	0,569	0,52	0,47
517-89126-0001	89126-0001	B	26	0,70	0,644	0,586	0,536
517-89134-0001	89134-0001	B	34	0,77	0,726	0,677	0,644
517-89140-0001	89140-0001	B	40	1,04	0,974	0,883	0,809
517-89150-0001	89150-0001	B	50	1,15	1,06	0,949	0,875
517-89160-0001	89160-0001	B	60	1,17	1,08	0,982	0,916

Optional Clip On Strain Relief

MOUSER STOCK NO.	3M Part No.	Fig.	No. of Positions	Price Each			
				1	25	50	100
517-3448-89110	3448-89110	C	10	0,16	0,135	0,135	0,125
517-3448-89114	3448-89114	C	14	0,16	0,135	0,135	0,125
517-3448-89116	3448-89116	C	16	0,17	0,15	0,14	0,12
517-3448-89120	3448-89120	C	20	0,16	0,132	0,124	0,116
517-3448-89126	3448-89126	C	26	0,16	0,136	0,136	0,126
517-3448-89134	3448-89134	C	34	0,18	0,16	0,16	0,148
517-3448-89140	3448-89140	C	40	0,17	0,148	0,148	0,136
517-3448-89150	3448-89150	C	50	0,16	0,132	0,124	0,117
517-3448-89160	3448-89160	C	60	0,22	0,19	0,173	0,165

Centerbump Polarizing - Strain Relief Included

MOUSER STOCK NO.	3M Part No.	Fig.	No. of Positions	Price Each			
				1	25	50	100
517-8910	89110-0103	D	10	0,67	0,59	-	-
517-8914	89114-0103	D	14	0,78	0,652	0,602	0,586
517-8916	89116-0103	D	16	0,78	0,734	0,693	0,659
517-8920	89120-0103	D	20	0,85	0,776	0,743	0,709
517-8924	89124-0103	D	24	0,92	0,776	0,718	0,701
517-8926	89126-0103	D	26	0,99	0,873	-	-
517-8930	89130-0103	D	30	1,00	0,916	0,833	0,733
517-8934	89134-0103	D	34	0,99	0,908	0,842	0,808
517-8940	89140-0103	D	40	1,30	1,10	1,01	0,99
517-8950	89150-0103	D	50	1,39	1,16	1,08	1,06
517-8960	89160-0103	D	60	1,44	1,21	1,11	1,09

Wiremount Sockets

- Plating: 10µ" Gold
- Contact Material: Phosphor Bronze (C510)
- Current Rating: 1A
- Mates with Header Series 3000, 2500 and 303, Plug Series 4600
- RoHS Compliant per 3M™ documentation

For quantities greater than listed, call for quote.

MOUSER STOCK NO.	3M Part No.	Fig.	No. of Positions	Price Each			
				1	25	50	100
Centerbump Polarizing							
517-D89110-0131HK	D89110-0131HK	A	10	0,32	0,272	0,239	0,231
517-D89114-0131HK	D89114-0131HK	A	14	0,45	0,388	0,347	0,33
517-D89116-0131HK	D89116-0131HK	A	16	0,44	0,371	0,33	0,322
517-D89120-0131HK	D89120-0131HK	A	22	0,45	0,388	0,347	0,33
517-D89126-0131HK	D89126-0131HK	A	26	0,59	0,561	0,528	0,495
517-D89130-0131HK	D89130-0131HK	A	30	0,52	0,437	0,413	0,396
517-D89134-0131HK	D89134-0131HK	A	34	0,50	0,47	0,446	0,429
517-D89140-0131HK	D89140-0131HK	A	40	0,69	0,586	0,536	0,503
517-D89150-0131HK	D89150-0131HK	A	50	0,86	0,734	0,677	0,644

Without Centerbump Polarizing

MOUSER STOCK NO.	3M Part No.	Fig.	No. of Positions	Price Each			
				1	25	50	100
517-D89110-0031HK	D89110-0031HK	B	10	0,32	0,272	0,239	0,231
517-D89114-0031HK	D89114-0031HK	B	14	0,45	0,388	0,347	0,33
517-D89116-0031HK	D89116-0031HK	B	16	0,44	0,371	0,33	0,322
517-D89120-0031HK	D89120-0031HK	B	22	0,45	0,388	0,347	0,33
517-D89126-0031HK	D89126-0031HK	B	26	0,40	0,371	0,355	0,347
517-D89130-0031HK	D89130-0031HK	B	30	0,52	0,437	0,413	0,396
517-D89134-0031HK	D89134-0031HK	B	34	0,59	0,495	0,446	0,429
517-D89140-0031HK	D89140-0031HK	B	40	0,69	0,586	0,536	0,503
517-D89150-0031HK	D89150-0031HK	B	50	0,86	0,734	0,677	0,644

Wiremount Sockets (Cont.)

For quantities greater than listed, call for quote.

MOUSER STOCK NO.	3M Part No.	Fig.	No. of Positions	Price Each			
				1	25	50	100
Optional Clip On Strain Relief							
517-D3448-89110	D3448-89110	C	10	0,16	0,132	0,124	0,117
517-D3448-89114	D3448-89114	C	14	0,16	0,132	0,124	0,117
517-D3448-89116	D3448-89116	C	16	0,16	0,132	0,124	0,117
517-D3448-89120	D3448-89120	C	22	0,16	0,132	0,124	0,117
517-D3448-89126	D3448-89126	C	26	0,16	0,132	0,124	0,117
517-D3448-89130	D3448-89130	C	30	0,16	0,132	0,124	0,117
517-D3448-89134	D3448-89134	C	34	0,16	0,132	0,124	0,117
517-D3448-89140	D3448-89140	C	40	0,16	0,132	0,124	0,117
517-D3448-89150	D3448-89150	C	50	0,16	0,132	0,124	0,117

3000 SERIES WIREMOUNT SOCKETS

- Industry standard IDC socket
- Current rating: 1A
- Positive locking metal "J" clips provide high cover retention
- Withstanding voltage: 1000Vrms
- Accepts flat cable or discrete wire
- Temperature rating: -55°C to +105°C
- Insulation material: Glass filled polyester (PBT), Gray, UL 94V-0
- Contact material: Copper alloy
- Wire accommodation: 26 & 28AWG solid or stranded
- Mates w/ Header Series: 3000, 2500, & 303; Plug Series: 4600
- Plating: 30µ" Gold
- Order strain reliefs separately
- RoHS compliant per 3M™ documentation

Polarizing Slots - Open-Ended for Daisy Chaining

MOUSER STOCK NO.	3M Part No.	Fig.	No. of Positions	Price Each			
				1	25	50	100
517-3473-6000	3473-6000	E	10	1,64	1,39	1,31	1,25
517-3385-6000	3385-6000	E	14	1,99	1,82	1,65	1,51
517-3452-6000	3452-6000	E	16	2,19	1,84	1,69	1,63
517-3421-6000	3421-6000	E	20	2,41	2,03	1,86	1,81
517-3626-6000	3626-6000	E	24	2,89	2,43	2,24	2,17
517-3399-6000	3399-6000	E	26	3,10	2,62	2,58	2,35
517-3414-6000	3414-6000	E	34	4,05	3,41	3,26	3,07
517-3417-6000	3417-6000	E	40	4,75	3,99	3,89	3,61
517-3425-6000	3425-6000	E	50	5,95	5,01	4,60	4,46

Polarizing Slots - Closed-Ended for Line Termination

MOUSER STOCK NO.	3M Part No.	Fig.	No. of Positions	Price Each			
				1	25	50	100
517-3473-7000	3473-7000	E	10	1,75	1,60	1,45	1,33
517-3385-7000	3385-7000	E	14	2,19	2,01	1,83	1,58
517-3452-7000	3452-7000	E	16	2,29	2,10	1,91	1,74
517-3421-7000	3421-7000	E	20	2,52	2,31	2,10	1,82
517-3626-7000	3626-7000	E	24	3,01	2,76	2,52	2,29
517-3399-7000	3399-7000	E	26	3,28	3,04	2,72	2,36
517-3414-7000	3414-7000	E	34	4,22	3,72	3,34	3,04
517-3417-7000	3417-7000	E	40	4,96	4,17	3,84	3,76
517-3425-7000	3425-7000	E	50	6,17	5,19	4,79	4,69

Center-Bumped Polarizing - Open-Ended for Daisy Chaining

MOUSER STOCK NO.	3M Part No.	Fig.	No. of Positions	Price Each			
				1	25	50	100
517-3473-6600	3473-6600	F	10	1,64	1,34	1,33	1,33
517-3385-6600	3385-6600	F	14	2,00	1,68	1,54	1,49
517-3452-6600	3452-6600	F	16	2,19	1,84	1,69	1,63
517-3421-6600	3421-6600	F	20	2,41	2,03	1,86	1,81
517-3626-6600	3626-6600	F	24	2,89	2,43	2,24	2,17
517-3399-6600	3399-6600	F	26	3,11	2,62	2,41	2,33
517-3419-6600	3419-6600	F	30	3,57	3,01	2,76	2,68
517-3414-6600	3414-6600	F	34	4,05	3,41	3,26	3,07
517-3417-6600	3417-6600	F	40	4,76	4,01	3,69	3,57
517-3425-6600	3425-6600	F	50	5,95	5,01	4,60	4,46

Center-Bumped Polarizing - Closed-Ended for Line Termination

MOUSER STOCK NO.	3M Part No.	Fig.	No. of Positions	Price Each			
				1	25	50	100
517-3473-7600	3473-7600	F	10	1,76	1,48	1,36	1,31
517-3385-7600	3385-7600	F	14	2,20	1,86	1,70	1,65

3M™ 2mm x 2mm Headers and Sockets



RoHS Compliant This product is RoHS compliant.

1512 SERIES 2MM X 2MM PIN STRIP HEADERS

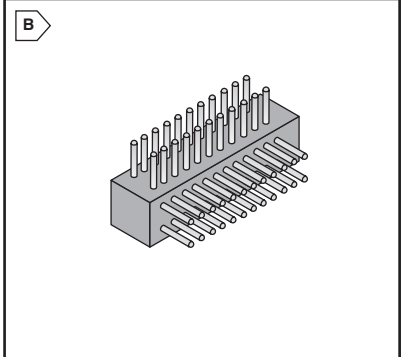
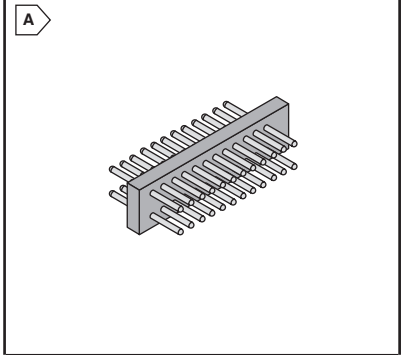
Specifications:

- Industry standard compatible
- High temperature dielectric
- Maximizes use of PC board space
- Mates with boardmount and wiremount products
- End and side stackable
- Insulator material: Black high temperature thermoplastic, UL94V-0
- Contact material: Copper alloy
- Plating: 30µ" Gold
- Current rating: 1.5A
- Withstanding voltage: 500 Vrms at sea level
- Temperature rating: -55°C to +105°C



For quantities greater than listed, call for quote.

MOUSER STOCK NO.	Fig.	No. of Positions	Pin Length (in.)	Price Each			
				1	25	50	100
Straight							
517-151210-8322-RB	A	10	.130	0,73	0,628	0,576	0,554
517-151212-8322-RB	A	12	.130	0,86	0,718	0,668	0,652
517-151220-8322-RB	A	20	.130	1,32	1,28	1,16	0,998
517-151226-8322-RB	A	26	.130	1,71	1,44	1,34	1,25
517-151240-8322-RB	A	40	.130	2,48	2,24	2,04	1,87
517-151250-8322-RB	A	50	.130	3,07	2,59	2,38	2,33
Right Angle							
517-151210-7422-RB	B	10	.152	0,83	0,733	0,663	0,625
517-151220-7422-RB	B	20	.152	0,77	0,685	0,623	0,578
517-151230-7422-RB	B	30	.152	1,13	1,08	0,982	0,858
517-151240-7422-RB	B	40	.152	2,30	2,10	1,92	1,76
517-151250-7422-RB	B	50	.152	3,70	3,22	2,96	2,76



1502 SERIES 2MM X 2MM BOARDMOUNT SOCKETS

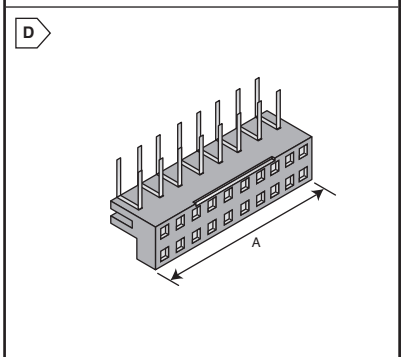
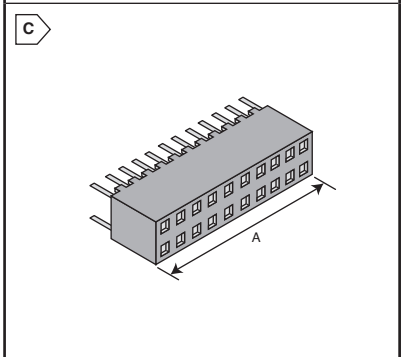
Specifications:

- Industry standard compatible
- Plated through hole style
- Minimizes PC board stacking heights
- End and side stackable
- Insulator material: Black glass filled PCT, UL94V-0
- .100" (2.54mm) solder tail length
- Contact material: Copper alloy
- Plating: 30µ" Gold
- Current rating: 1A
- Withstanding voltage: 500 Vdc at sea level
- Temperature rating: -55°C to +105°C



For quantities greater than listed, call for quote.

MOUSER STOCK NO.	Fig.	No. of Positions	A in. (mm)	Price Each			
				1	25	50	100
Straight							
517-150210-6002-RB	C	10	.389 (9.83)	1,41	1,34	1,27	1,06
517-150220-6002-RB	C	20	.782 (19.86)	1,67	1,44	1,34	1,25
517-150226-6002-RB	C	26	1.019 (25.83)	1,80	1,64	1,53	1,36
517-150230-6002-RB	C	30	1.176 (29.87)	1,91	1,74	1,58	1,44
517-150240-6002-RB	C	40	1.57 (39.88)	2,15	1,87	1,72	1,62
517-150244-6002-RB	C	44	1.727 (43.87)	2,27	2,18	2,06	1,72
517-150250-6002-RB	C	50	1.964 (49.89)	2,42	2,19	2,07	1,83
Right Angle							
517-150210-5002-RB	D	10	.389 (9.83)	4,08	3,66	3,47	3,26
517-150220-5002-RB	D	20	.782 (19.86)	4,60	3,86	3,56	3,48
517-150240-5002-RB	D	40	1.57 (39.88)	5,05	4,59	4,33	3,83
517-150244-5002-RB	D	44	1.727 (43.87)	5,13	4,68	4,41	3,89



1522 SERIES 2MM X 2MM WIREMOUNT SOCKETS

For 1mm Pitch Cable

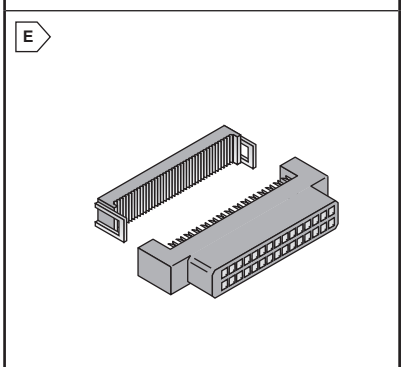
Specifications:

- Industry standard compatible
- Mates with 2mm latch/eject headers
- Low Profile
- Preassembled open covers
- Wire accommodation: 28AWG stranded
- Insulation material: Gray glass filled polyester PBT, UL94V-0
- Contact material: Copper alloy
- Plating: 30µ" Gold
- Current rating: 1A
- Withstanding voltage: 1000 Vrms at sea level
- Temperature rating: -55°C to +105°C
- RoHS compliant per 3M documentation



For quantities greater than listed, call for quote.

MOUSER STOCK NO.	3M Part No.	Fig.	No. of Positions	Assem. Height w/o Strain Relief mm (in.)	Price Each			
					1	25	50	100
517-152210-0100	152210-0100-GB	E	10	7.4 (0.290)	2,46	2,07	1,91	1,84
517-152212-0100	152212-0100-GB	E	12	7.4 (0.290)	2,48	2,21	1,98	1,86
517-152220-0100	152220-0100-GB	E	20	7.4 (0.290)	3,44	2,90	2,66	2,58
517-152226-0100	152226-0100-GB	E	26	7.4 (0.290)	3,28	2,76	2,54	2,46
517-152240-0100	152240-0100-GB	E	40	7.4 (0.290)	3,44	2,90	2,66	2,58
517-152244-0100	152244-0100-GB	E	44	7.4 (0.290)	3,52	2,97	2,73	2,64
517-152250-0100	152250-0100-GB	E	50	7.4 (0.290)	3,59	3,03	2,78	2,70

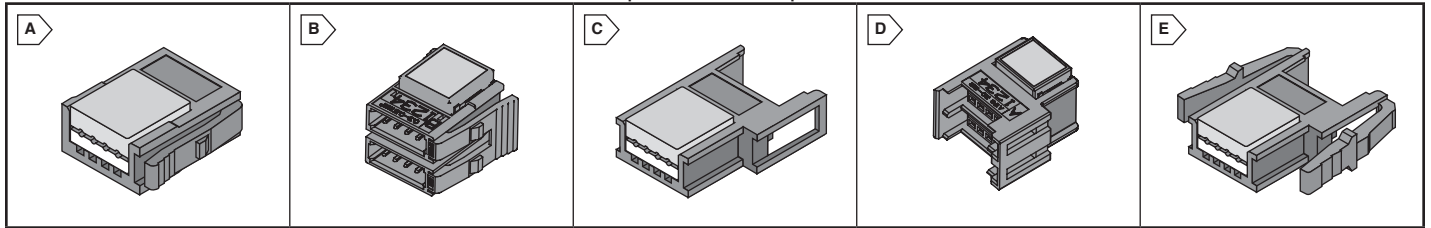


3M Rectangular Connectors

3M™ Mini-Clamp Connectors



RoHS Compliant This product is RoHS compliant.



2.00MM IDC WIREMOUNT MINI-CLAMP CONNECTORS

Mini-Clamp

Specifications:

- Flammability: UL94V-0
- Body Color: Black
- Contact Material: Copper Alloy
- Insulation Material: Nylon body, Polycarbonate cover
- Current Rating: 3.0A
- Voltage Rating: 32V
- Temperature Rating: -20°C to 85°C

Features:

- Operation by general tool "pliers" reduces tooling cost
- Latch enables rugged field termination
- RoHS Compliant per 3M documentation
- Designed to accommodate typical wiring specifications per Japanese and Asian Suppliers



RoHS Compliant

For quantities greater than listed, call for quote.

MOUSER STOCK NO.	3M Part No.	Fig.	No. of Positions	Wire AWG	Cover Color	Wire Insulation OD (mm)	Price Each			
							1	10	25	50
Plug Connectors										
517-37103-2124-000-1	37103-2124-000 FL 100	A	3	20-22	Green	1.0 ~ 1.2	1,68	1,53	1,40	1,28
517-37103-2165-000-1	37103-2165-000 FL 100	A	3	20-22	Blue	1.2 ~ 1.6	1,68	1,53	1,40	1,28
517-37103-2206-000-1	37103-2206-000 FL 100	A	3	20-22	Gray	1.6 ~ 2.0	1,68	1,53	1,40	1,28
517-37103-3101-000-1	37103-3101-000 FL 100	A	3	24-26	Red	0.8 ~ 1.0	1,68	1,53	1,40	1,28
517-37103-3122-000-1	37103-3122-000 FL 100	A	3	24-26	Yellow	1.0 ~ 1.2	1,68	1,53	1,40	1,28
517-37104-2124-000-1	37104-2124-000 FL 100	A	4	20-22	Green	1.0 ~ 1.2	2,00	1,83	1,67	1,53
517-37104-2165-000-1	37104-2165-000 FL 100	A	4	20-22	Blue	1.2 ~ 1.6	2,01	1,86	1,70	1,55
517-37104-2206-000-1	37104-2206-000 FL 100	A	4	20-22	Gray	1.6 ~ 2.0	2,00	1,83	1,67	1,53
517-37104-3101-000-1	37104-3101-000 FL 100	A	4	24-26	Red	0.8 ~ 1.0	2,00	1,83	1,67	1,53
517-37104-3122-000-1	37104-3122-000 FL 100	A	4	24-26	Yellow	1.0 ~ 1.2	2,00	1,83	1,67	1,53
517-37104-3163-000-1	37104-3163-000 FL 100	A	4	24-26	Orange	1.2 ~ 1.6	2,00	1,83	1,67	1,53
517-37106-2124-0W0FL	37106-2124-0W0 FL	B	6	20-22	Green	1.0 ~ 1.2	3,07	2,78	2,54	2,33
517-37106-2165-0W0FL	37106-2165-0W0 FL	B	6	20-22	Blue	1.2 ~ 1.6	3,07	2,78	2,54	2,33
517-37106-2206-0W0FL	37106-2206-0W0 FL	B	6	20-22	Gray	1.6 ~ 2.0	3,10	2,93	2,88	2,68
517-37106-3101-0W0FL	37106-3101-0W0 FL	B	6	24-26	Red	0.8 ~ 1.0	3,07	2,78	2,54	2,33
517-37106-3122-0W0FL	37106-3122-0W0 FL	B	6	24-26	Yellow	1.0 ~ 1.2	3,07	2,78	2,54	2,33
517-37106-3163-0W0FL	37106-3163-0W0 FL	B	6	24-26	Orange	1.2 ~ 1.6	3,07	2,78	2,54	2,33
517-37108-2124-0W0FL	37108-2124-0W0 FL	B	8	20-22	Green	1.0 ~ 1.2	3,39	3,08	2,81	2,58
517-37108-2165-0W0FL	37108-2165-0W0 FL	B	8	20-22	Blue	1.2 ~ 1.6	3,39	3,08	2,81	2,58
517-37108-2206-0W0FL	37108-2206-0W0 FL	B	8	20-22	Gray	1.6 ~ 2.0	3,66	3,32	3,03	2,79
517-37108-3101-0W0FL	37108-3101-0W0 FL	B	8	24-26	Red	0.8 ~ 1.0	3,64	3,30	3,01	2,77
517-37108-3122-0W0FL	37108-3122-0W0 FL	B	8	24-26	Yellow	1.0 ~ 1.2	3,64	3,30	3,01	2,77
517-37108-3163-0W0FL	37108-3163-0W0 FL	B	8	24-26	Orange	1.2 ~ 1.6	3,39	3,08	2,81	2,58
Socket Connectors Without Latches										
517-37303-2165-000-1	37303-2165-000 FL 100	C	3	20-22	Blue	1.2 ~ 1.6	1,80	1,65	1,50	1,37
517-37303-2206-000-1	37303-2206-000 FL 100	C	3	20-22	Gray	1.6 ~ 2.0	1,80	1,65	1,50	1,37
517-37303-3101-000-1	37303-3101-000 FL 100	C	3	24-26	Red	0.8 ~ 1.0	1,80	1,65	1,50	1,37
517-37304-2124-000-1	37304-2124-000 FL 100	C	4	20-22	Green	1.0 ~ 1.2	2,16	1,97	1,80	1,64
517-37304-2206-000-1	37304-2206-000 FL 100	C	4	20-22	Gray	1.6 ~ 2.0	2,16	1,97	1,80	1,64
517-37304-3101-000-1	37304-3101-000 FL 100	C	4	24-26	Red	0.8 ~ 1.0	2,16	1,97	1,80	1,64
517-37304-3122-000-1	37304-3122-000 FL 100	C	4	24-26	Yellow	1.0 ~ 1.2	2,16	1,97	1,80	1,64
517-37304-3163-000-1	37304-3163-000 FL 100	C	4	24-26	Orange	1.2 ~ 1.6	2,16	1,97	1,80	1,64
517-37306-2124-0W0FL	37306-2124-0W0 FL	D	6	20-22	Green	1.0 ~ 1.2	2,60	2,47	2,38	2,25
517-37306-2165-0W0FL	37306-2165-0W0 FL	D	6	20-22	Blue	1.2 ~ 1.6	2,60	2,47	2,38	2,25
517-37306-2206-0W0FL	37306-2206-0W0 FL	D	6	20-22	Gray	1.6 ~ 2.0	3,04	2,81	2,57	2,35
517-37306-3101-0W0FL	37306-3101-0W0 FL	D	6	24-26	Red	0.8 ~ 1.0	2,60	2,47	2,38	2,25
517-37306-3122-0W0FL	37306-3122-0W0 FL	D	6	24-26	Yellow	1.0 ~ 1.2	2,60	2,47	2,38	2,25
517-37306-3163-0W0FL	37306-3163-0W0 FL	D	6	24-26	Orange	1.2 ~ 1.6	2,60	2,47	2,38	2,25
517-37308-2124-0W0FL	37308-2124-0W0 FL	D	8	20-22	Green	1.0 ~ 1.2	3,95	3,58	3,27	3,01
517-37308-2165-0W0FL	37308-2165-0W0 FL	D	8	20-22	Blue	1.2 ~ 1.6	3,95	3,58	3,27	3,01
517-37308-2206-0W0FL	37308-2206-0W0 FL	D	8	20-22	Gray	1.6 ~ 2.0	3,95	3,58	3,27	3,01
517-37308-3101-0W0FL	37308-3101-0W0 FL	D	8	24-26	Red	0.8 ~ 1.0	3,95	3,58	3,27	3,01
517-37308-3122-0W0FL	37308-3122-0W0 FL	D	8	24-26	Yellow	1.0 ~ 1.2	3,95	3,58	3,27	3,01
517-37308-3163-0W0FL	37308-3163-0W0 FL	D	8	24-26	Orange	1.2 ~ 1.6	3,69	3,34	3,05	2,81
Socket Connectors With Latches										
517-37304-2165-0P0-1	37304-2165-0P0 FL 100	E	4	20-22	Blue	1.2 ~ 1.6	2,22	2,04	1,86	1,69

Rectangular Connectors 3M

Mini-Clamp II

Specifications:

- Flammability: UL94V-0
- Body Color: Black
- Contact Material: Copper Alloy
- Insulation Material: Nylon body, Polycarbonate cover
- Current Rating: 3.0A
- Voltage Rating: 32V
- Temperature Rating: -20°C to 85°C

Features:

- Designed to accommodate typical wiring specifications per Europe and North America Suppliers
- No special tooling needed
- RoHS Compliant per 3M documentation



RoHS Compliant

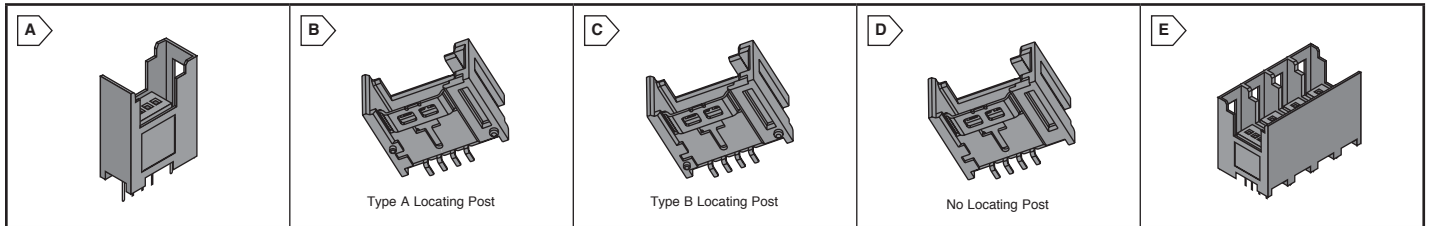
For quantities greater than listed, call for quote.

MOUSER STOCK NO.	3M Part No.	Fig.	No. of Positions	Wire AWG	Cover Color	Wire Insulation OD (mm)	Price Each			
							1	10	25	50
Plug Connectors										
517-37103-A165-00EMB	37103-A165-00E MB	A	3	20-24	Blue	1.2 ~ 1.6	1,68	1,53	1,40	1,28
517-37103-A206-00EMB	37103-A206-00E MB	A	3	20-24	Gray	1.6 ~ 2.0	1,68	1,53	1,40	1,28
517-37103-B122-00EMB	37103-B122-00E MB	A	3	24-26	Yellow	1.0 ~ 1.2	1,68	1,53	1,40	1,28
517-37104-A165-00EMB	37104-A165-00E MB	A	4	20-24	Blue	1.2 ~ 1.6	2,00	1,83	1,67	1,53
517-37104-A206-00EMB	37104-A206-00E MB	A	4	20-24	Gray	1.6 ~ 2.0	2,00	1,83	1,67	1,53
517-37104-B101-00EMB	37104-B101-00E MB	A	4	24-26	Red	0.8 ~ 1.0	1,98	1,82	1,65	1,51
517-37104-B122-00EMB	37104-B122-00E MB	A	4	24-26	Yellow	1.0 ~ 1.2	2,00	1,83	1,67	1,53
517-37104-B163-00EMB	37104-B163-00E MB	A	4	24-26	Orange	1.2 ~ 1.6	2,00	1,83	1,67	1,53
Socket Connectors Without Latches										
517-37303-A165-00EMB	37303-A165-00E MB	C	3	20-24	Blue	1.2 ~ 1.6	1,80	1,65	1,50	1,37
517-37303-A206-00EMB	37303-A206-00E MB	C	3	20-24	Gray	1.6 ~ 2.0	1,80	1,65	1,50	1,37
517-37303-B122-00EMB	37303-B122-00E MB	C	3	24-26	Yellow	1.0 ~ 1.2	1,80	1,65	1,50	1,37
517-37303-B163-00EMB	37303-B163-00E MB	C	3	24-26	Orange	1.2 ~ 1.6	1,80	1,65	1,50	1,37
517-37304-A165-00EMB	37304-A165-00E MB	C	4	20-24	Blue	1.2 ~ 1.6	2,16	1,97	1,80	1,64
517-37304-A206-00EMB	37304-A206-00E MB	C	4	20-24	Gray	1.6 ~ 2.0	2,16	1,97	1,80	1,64
517-37304-B101-00EMB	37304-B101-00E MB	C	4	24-26	Red	0.8 ~ 1.0	2,16	1,97	1,80	1,64
517-37304-B122-00EMB	37304-B122-00E MB	C	4	24-26	Yellow	1.0 ~ 1.2	2,16	1,97	1,80	1,64
517-37304-B163-00EMB	37304-B163-00E MB	C	4	24-26	Orange	1.2 ~ 1.6	2,16	1,97	1,80	1,64
Socket Connectors With Latches										
517-37303-A165-0PEMB	37303-A165-0PE MB	D	3	20-24	Blue	1.2 ~ 1.6	1,89	1,72	1,57	1,42
517-37304-B163-0PEMB	37304-B163-0PE MB	D	4	24-26	Orange	1.2 ~ 1.6	2,25	2,04	1,86	1,69

3M™ Mini Clamp and Power Clamp Connectors



RoHS Compliant This product is RoHS compliant.



2.00MM BOARDMOUNT MINI-CLAMP SOCKET CONNECTORS

Specifications:

- Flammability: UL94V-0
- Color: Black
- Contact Material: Copper Alloy

Insulation Material: Nylon

- Current Rating: 3.0A
- Temperature Rating: -20°C to 85°C
- Voltage Rating: 32V

Features:

- Mates to 371 Series Plugs
- Straight Solder Tails
- Kinked contact pins for board retention.

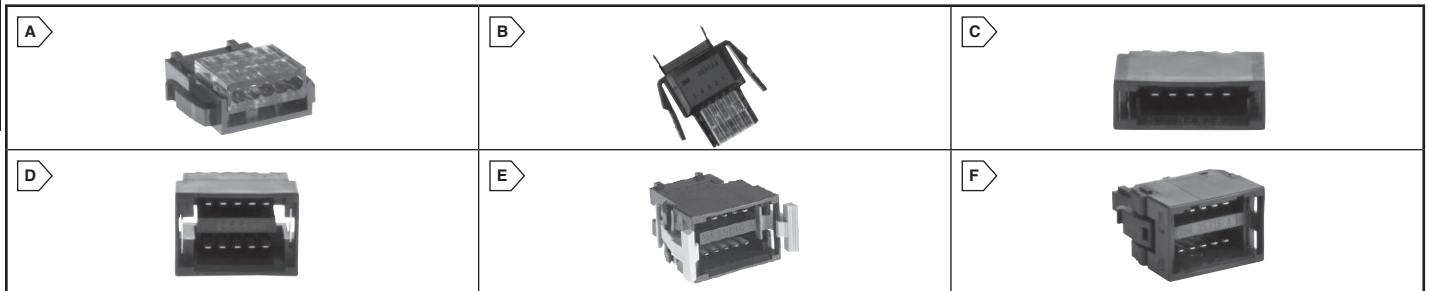
• RoHS Compliant per 3M documentation



For quantities greater than listed, call for quote.

MOUSER STOCK NO.	3M Part No.	Fig.	No. of Contacts	Type	Mating Plug Size	Price Each			
						1	10	25	50
Single Row - Vertical									
517-37203-62A3-003PL	37203-62A3-003PL	A	3	A	3 Pos.	1,11	1,01	0,924	0,842
517-37203-62B3-003PL	37203-62B3-003PL	A	3	B	3 Pos.	1,11	1,01	0,924	0,842
517-37204-62A3-004PL	37204-62A3-004PL	A	4	A	4 Pos.	1,26	1,16	1,06	0,998
517-37204-62B3-004PL	37204-62B3-004PL	A	4	B	4 Pos.	1,26	1,16	1,06	0,998
Single Row - SMT									
517-37203-1AE0-003PL	37203-1AE0-003 PL	B	3	A	3 Pos.	1,44	1,34	1,25	1,17
517-37203-1BE0-003PL	37203-1BE0-003 PL	C	3	B	3 Pos.	1,52	1,41	1,31	1,23
517-37204-1AE0-004PL	37204-1AE0-004 PL	B	4	A	4 Pos.	1,60	1,45	1,32	1,21
517-37204-1BE0-004PL	37204-1BE0-004 PL	C	4	B	4 Pos.	1,93	1,75	1,59	1,47
517-37203-12E0-003PL	37203-12E0-003 PL	D	3	None	3 Pos.	1,44	1,34	1,25	1,17
517-37204-12E0-004PL	37204-12E0-004 PL	D	4	None	4 Pos.	1,72	1,57	1,43	1,31
4 Rows									
517-37212-62M3-003PL	37212-62M3-003PL	E	12	M	3 Pos.	2,24	2,05	1,87	1,71
517-37216-62M3-004PL	37216-62M3-004PL	E	16	M	4 Pos.	2,56	2,37	2,15	1,98

3M Rectangular Connectors



3.0MM POWER CLAMP CONNECTORS

Specifications:

- Flammability: UL94V-0
- Contact Material: Copper Alloy
- Voltage Rating: 250V
- Temperature Rating: -20°C to +75°C ambient
- CC Link Standard Compliant

Features:

- Easy, labor saving, and reliable IDC termination
- CC-Link Communication Interconnect Standard
- Polarization ensures proper interconnecting of mated pairs



For quantities greater than listed, call for quote.

MOUSER STOCK NO.	3M Part No.	Fig.	No. of Contacts	Wire AWG	Cover Color	Wire Insulation OD (mm)	Price Each			
							1	10	25	50
Wiremount Sockets										
517-35505-6080-A00GF	35505-6080-A00GF	A	5	18	Clear	2.2 - 3.0	4,31	3,90	3,56	3,28
517-35505-6180-A00GF	35505-6180-A00GF	A	5	18	Blue	2.0 - 2.3	4,31	3,90	3,56	3,28
517-35505-6200-A00GF	35505-6200-A00GF	A	5	20	Yellow	1.6 - 2.0	4,31	3,90	3,56	3,28
Wiremount Plugs Standard										
517-35805-6080-A00GF	35805-6080-A00GF	B	5	18	Clear	2.2 - 3.0	3,38	3,19	2,97	2,82
517-35805-6180-A00GF	35805-6180-A00GF	B	5	18	Blue	2.0 - 2.3	3,38	3,19	2,97	2,82
517-35805-6200-A00GF	35805-6200-A00GF	B	5	20	Yellow	1.6 - 2.0	3,38	3,19	2,97	2,82
Wiremount Plugs Panel Mount										
517-35805-6080-AP0GF	35805-6080-AP0GF	B	5	18	Clear	2.2 - 3.0	3,38	3,19	2,97	2,82
517-35805-6180-AP0GF	35805-6180-AP0GF	B	5	18	Blue	2.0 - 2.3	3,38	3,19	2,97	2,82
517-35805-6200-AP0GF	35805-6200-AP0GF	B	5	20	Yellow	1.6 - 2.0	3,38	3,19	2,97	2,82

Headers

For quantities greater than listed, call for quote.

MOUSER STOCK NO.	3M Part No.	Fig.	No. of Positions	Description	Polarization	Standoff (mm)	Price Each			
							1	10	25	50
517-35605-5153-A00PE	35605-5153-A00PE	C	5	1 Row, R/A	A	0.5	2,46	2,32	2,15	2,05
517-35605-5153-AP0PE	35605-5153-AP0PE	C	5	1 Row, R/A	A	1.7	2,46	2,32	2,15	2,05
517-35605-6114-A00PE	35605-6114-A00PE	C	5	1 Row, Vertical	A	--	2,15	2,02	1,88	1,79
517-35610-5253-A00PE	35610-5253-A00PE	D	10	2 Row, R/A	A	--	3,84	3,63	3,37	3,20
517-35610-6224-A00PE	35610-6224-A00PE	D	10	2 Row, Vertical	A	--	3,66	3,31	3,03	2,79

Branch Connectors

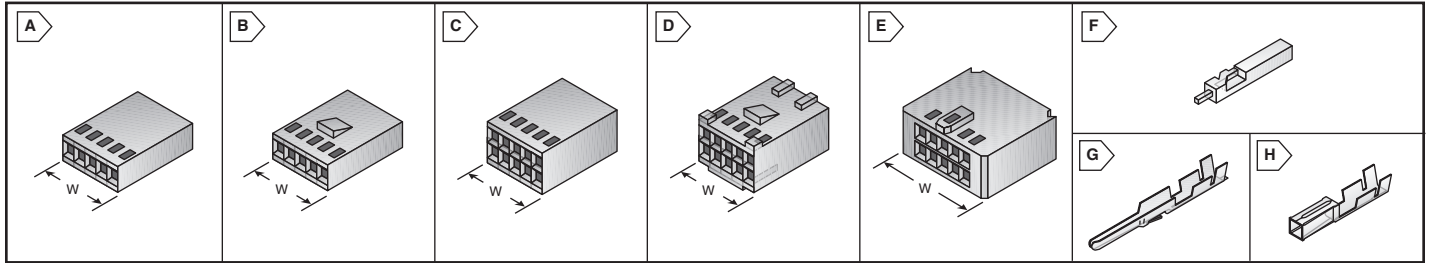
For quantities greater than listed, call for quote.

MOUSER STOCK NO.	3M Part No.	Fig.	Description	Polarization	Price Each			
					1	10	25	50
517-35720-L200-A00AK	35720-L200-A00AK	E	Type-H	A	5,76	5,21	4,76	4,39
517-35715-L010-A00AK	35715-L010-A00AK	F	Type-Y	A	4,92	4,64	4,31	4,10

© Copyright 2012 Mouser Electronics

All Prices
In EURO

© Copyright 2012 Mouser Electronics



TE MOD.IV WIRE-APPLIED HOUSINGS

- Housing Material: UL94V-0 black thermoplastic, flame retardant
- Stamped
- .100" Centerline

Non-Polarized, Single Row Housings

For quantities greater than listed, call for quote.

MOUSER STOCK NO.	TE Part No.	Fig.	No. of Pos.	Width (w) in.	Price Each				
					1	10	25	50	100
* 571-7874992	7-87499-2	A	1	.105	0,66	0,64	0,62	0,609	0,565
571-874993	87499-3	A	2	.205	0,79	0,78	0,77	0,73	0,712
571-874995	87499-5	A	3	.305	0,83	0,81	0,79	0,74	0,722
571-874997	87499-7	A	4	.405	0,89	0,88	0,87	0,83	0,802
571-874999	87499-9	A	5	.505	0,48	0,442	0,411	0,394	0,359
571-1874991	1-87499-1	A	6	.605	1,05	1,01	0,98	0,95	0,916
571-874991	87499-1	A	7	.705	0,78	0,721	0,657	0,517	0,50
571-1874993	1-87499-3	A	8	.805	1,12	1,11	1,10	1,03	1,01
571-1874995	1-87499-5	A	9	.905	1,04	0,98	0,93	0,89	0,804
571-1874997	1-87499-7	A	10	1.005	1,19	1,17	1,16	1,08	1,05

*:Unstamped

Polarized, Single Row Housings with Detent Latching

- Unstamped (No marking on housing)
- .100" Centerline

For quantities greater than listed, call for quote.

MOUSER STOCK NO.	TE Part No.	Fig.	No. of Pos.	Width (w) in.	Price Each				
					1	10	25	50	100
571-1022411	102241-1	B	3	.300	0,53	0,52	0,51	0,49	0,483
571-1022412	102241-2	B	4	.400	0,57	0,55	0,54	0,51	0,509
571-1022413	102241-3	B	5	.500	0,48	0,45	0,43	0,41	0,398
571-1022414	102241-4	B	6	.600	0,62	0,60	0,59	0,57	0,565
571-1022415	102241-5	B	7	.700	0,49	0,429	0,343	0,324	0,307
571-1022416	102241-6	B	8	.800	0,73	0,71	0,69	0,61	0,591
571-1022417	102241-7	B	9	.900	0,73	0,62	0,564	0,504	0,47
571-1022418	102241-8	B	10	1.000	0,79	0,77	0,76	0,73	0,725

Non-Polarized, Double Row Housings

- Stamped
- .100" x .100" Centerline

For quantities greater than listed, call for quote.

MOUSER STOCK NO.	TE Part No.	Fig.	No. of Pos.	Width (w) in.	Price Each				
					1	10	25	50	100
571-874562	87456-2	C	6	.305	1,10	1,06	1,03	1,00	0,98
571-874564	87456-4	C	8	.405	1,28	1,26	1,24	1,15	1,12
571-874566	87456-6	C	10	.505	1,83	1,81	1,79	1,68	1,67
571-874568	87456-8	C	12	.605	2,01	1,99	1,97	1,85	1,80
571-1874560	1-87456-0	C	14	.705	1,95	1,75	1,71	1,67	1,52
571-1874562	1-87456-2	C	16	.805	2,73	2,71	2,69	2,55	2,49

Polarized, Double Row Housings with Detent Latching

- Stamped
- .100" x .100" Centerline

For quantities greater than listed, call for quote.

MOUSER STOCK NO.	TE Part No.	Fig.	No. of Pos.	Width (w) in.	Price Each				
					1	10	25	50	100
571-876312	87631-2	D	6	.300	1,07	1,05	1,04	0,97	0,929
571-876314	87631-4	D	8	.400	1,49	1,41	1,34	1,28	1,20
571-876316	87631-6	D	10	.500	1,35	1,33	1,32	1,23	1,22
571-876318	87631-8	D	12	.600	1,57	1,51	1,46	1,42	1,38
571-1876310	1-87631-0	D	14	.700	1,90	1,71	1,66	1,62	1,38
571-1876316	1-87631-6	D	20	1.000	2,32	2,20	2,09	1,98	1,69
571-2876312	2-87631-2	D	26	1.300	3,06	2,76	2,39	1,95	1,83

Center Polarized, Double Row Housings

- Stamped
- .100" x .100" Centerline

For quantities greater than listed, call for quote.

MOUSER STOCK NO.	TE Part No.	Fig.	No. of Pos.	Width (w) in.	Price Each				
					1	10	25	50	100
571-1023871	102387-1	E	10	.680	1,64	1,56	1,48	1,40	1,22
571-1023872	102387-2	E	14	.880	2,01	1,65	1,44	1,35	1,27
571-1023873	102387-3	E	16	.980	2,10	1,99	1,89	1,80	1,60
571-1023874	102387-4	E	20	1.180	2,98	2,96	2,94	2,92	2,56
571-1023875	102387-5	E	24	1.380	2,58	2,45	2,32	2,21	2,15
571-1023876	102387-6	E	26	1.480	2,55	2,42	2,30	2,18	1,92
571-1023878	102387-8	E	34	1.880	3,22	3,05	2,90	2,76	2,37
571-1023879	102387-9	E	40	2.180	3,55	3,37	3,20	3,04	2,57
571-11023870	1-102387-0	E	50	2.680	4,35	4,13	3,92	3,72	3,30

KEYING PLUGS

For quantities greater than listed, call for quote.

MOUSER STOCK NO.	TE Part No.	Fig.	Description	Price Each			
				1	100	500	1000
571-870772	87077-2	F	Plugs directly into housing	0,18	0,14	0,13	0,125
571-862861	86286-1	-	Plugs into standard or intermediate pressure receptacle contact	0,22	0,157	0,133	0,123

TE MOD.IV PIN AND RECEPTACLE CONTACTS

Contact Plating:

- Duplex plated .00003 min. gold on contact area. .0001 ~ .0002 min. tin on solder area w/ entire post underplated .00005 min. nickel.
- Duplex plated .000015 min. gold on contact area. .0001 ~ .0002 min. tin on solder area w/ entire post underplated .00005 min. nickel.
- Selectively plated .000030 gold on contact area w/ gold flash over .000050 nickel on entire contact.
- Selectively plated .000015 gold on contact area w/ gold flash over .000050 nickel on entire contact.
- .000100-.000200 bright tin over .000050 nickel on entire contact

Crimp Snap-In Pins with Insulation Support

For quantities greater than listed, call for quote.

MOUSER STOCK NO.	TE Part No.	Fig.	Material	Plating	Wire AWG	Terminal Length (in.)	Price Each			
							1	100	500	1000
571-1021072	102107-2	G	Ph Bz	3	26-22	.815	0,42	0,40	0,42	0,361
571-1021071	102107-1	G	Ph Bz	4	26-22	.815	0,61	0,49	0,61	0,42
571-5-102107-3	5-102107-3	G	Ph Bz	5	26-22	.815	0,18	0,17	0,18	0,152

Standard Pressure Receptacle Contacts

- Mating force: 9 oz. max.
- Unmating force: 1.5oz. min.

For quantities greater than listed, call for quote.

MOUSER STOCK NO.	TE Part No.	Fig.	Material	Plating	Wire AWG	Terminal Length (in.)	Price Each			
							1	100	500	1000
571-876673	87667-3	H	Be Cu	5	26-22	.445	0,29	0,27	0,264	0,251
571-876672	87667-2	H	Be Cu	3	26-22	.445	0,39	0,37	0,36	0,342
571-860163	86016-3	H	Be Cu	5	24-20	.470	0,55	0,426	0,399	0,365
571-860162	86016-2	H	Be Cu	3	24-20	.470	0,39	0,37	0,36	0,342
571-6-102316-4	6-102316-4	H	Cu Sn Ph Bz	1	32-27	.445	0,45	0,373	0,348	0,332
571-6-102316-3	6-102316-3	H	Cu Sn Ph Bz	2	32-27	.445	0,55	0,362	0,333	0,308
571-1029172	102917-2	H	Be Cu	3	32-27	.445	0,49	0,46	0,442	0,42
571-6-87756-8	6-87756-8	H	Cu Sn Ph Bz	1	26-22	.445	0,30	0,28	0,271	0,257
571-6-87756-6	6-87756-6	H	Cu Sn Ph Bz	2	26-22	.445	0,26	0,24	0,237	0,225
571-877567	87756-7	H	Cu Sn Ph Bz	5	26-22	.445	0,18	0,17	0,165	0,158
571-876665	87666-5	H	Be Cu	4	26-22	.445	0,37	0,36	0,324	0,252
571-6-87523-9	6-87523-9	H	Cu Sn Ph Bz	1	24-20	.470	0,29	0,28	0,269	0,255
571-2-87523-4	2-87523-4	H	Cu Sn Ph Bz	2	24-20	.470	0,28	0,27	0,26	0,247
571-860165	86016-5	H	Be Cu	4	24-20	.470	0,33	0,32	0,31	0,302
571-875236	87523-6	H	Cu Sn Ph Bz	5	24-20	.470	0,21	0,20	0,195	0,185

TE MOD IV.V INTERMEDIATE PRESSURE RECEPTACLE CONTACTS

- Mating force: 16 oz. max.
- Unmating force: 2 oz. min.

For quantities greater than listed, call for quote.

MOUSER STOCK NO.	TE Part No.	Fig.	Material	Plating	Wire AWG	Terminal Length (in.)	Price Each			
							1	100	500	1000
571-870464	87046-4	H	Be Cu	5	24-20	.470	0,32	0,31	0,297	0,282
571-870463	87046-3	H	Be Cu	1	24-20	.470	0,61	0,511	0,447	0,417
571-5-102920-2	5-102920-2	H	Cu Sn Ph Bz	1	32-27	.445	0,50	0,405	0,384	0,354
571-1029182	102918-2	H	Be Cu	3	32-27	.445	0,94	0,617	0,566	0,523
571-5-103171-5	5-103171-5	H	Cu Sn Ph Bz	1	26-22	.445	0,29	0,265	0,252	0,24
571-1025486	102548-6	H	Be Cu	3	26-22	.445	0,45	0,43	0,414	0,393
571-1025483	102548-3	H	Be Cu	4	26-22	.445	0,41	0,38	0,37	0,351
571-2-87195-6	2-87195-6	H	Cu Sn Ph Bz	1	24-20	.445	0,29	0,27	0,261	0,248
571-2-87195-5	2-87195-5	H	Cu Sn Ph Bz	2	24-20	.470	0,31	0,213	0,201	0,183
571-870461	87046-1	H	Be Cu	4	24-20	.470	0,39	0,37	0,352	0,335

TE MOD V HIGH PRESSURE RECEPTACLE CONTACTS

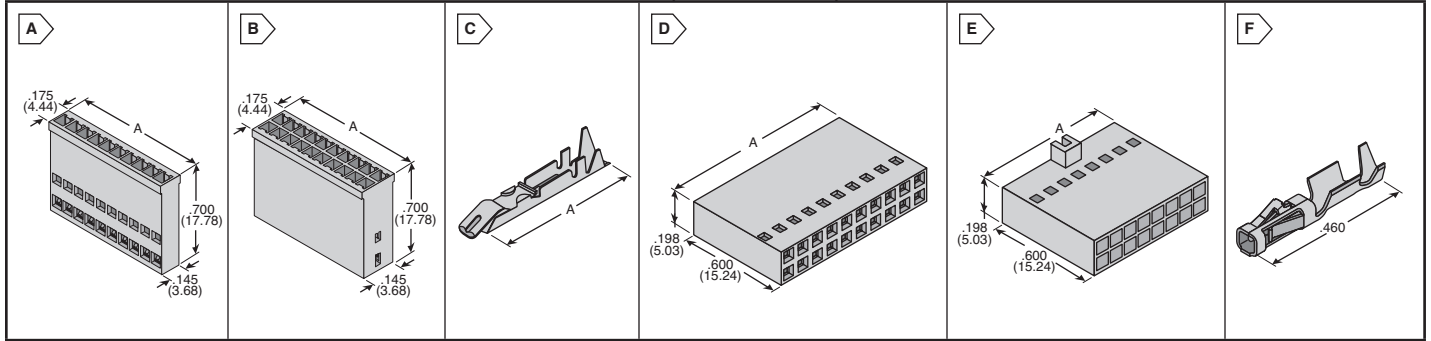
- Mating force: 20 oz. max.
- Unmating force: 3 oz. min.

For quantities greater than listed, call for quote.

MOUSER STOCK NO.	TE Part No.	Fig.	Material	Plating	Wire AWG	Terminal Length (in.)	Price Each			
							1	100	500	1000
571-1021282	102128-2	H	Ph Bz	5	26-22	.445	0,25	0,24	0,208	0,199
571-1021281	102128-1	H	Ph Bz	3	26-22	.445	0,62	0,58	0,486	0,478
571-1873093	1-87309-3	H	Ph Bz	5	24-20	.47				

TE PCB and Wire Connectors

RoHS Compliant This product is RoHS compliant.



TE HOUSINGS AND ACCESSORIES

Features:

- Mates with .025" (.64mm) square posts
- Modular design permits end-to-end stacking
- Housing made of 94V-0 rated glass-filled polyester
- Stamped: Cavity ID, part number, date code; where size permits Unstamped: No markings

Specifications:

- Contact Current Rating: 3 amp
- Termination Resistance: 12mΩ max. Gold
16mΩ max. Tin
- Operating Temp.: -65°C to 105°C Gold
-65°C to 60°C Tin

TE SHORT POINT WIRE-APPLIED CONNECTORS AND CONTACTS

Features:

- Short point of contact mates with .169" - .259" (4.29mm - 6.58mm)
- Double row housings are end-to-end and side-to-side stackable
- Mates with .025" (.64mm) square posts
- Dual cantilever contact beams for reliable mating

Specifications:

- Contact current rating: 3 amp
- Termination Resistance: 12mΩ max.
- Black thermoplastic, flame retardant, 94V-0



RoHS Compliant

Single Row - Housings

For quantities greater than listed, call for quote.

MOUSER STOCK NO.	TE Part No.	Fig.	No. of Positions	Description	Dimension A Inch (mm)	Price Each		
						1	25	50
571-87175-2	87175-2	A	1	Unstamped	.108 (2.74)	1,00	0,907	0,828
571-871756	87175-6	A	2	Unstamped	.216 (5.49)	0,54	0,52	0,50
571-871758	87175-8	A	3	Unstamped	.316 (8.06)	1,85	1,66	1,63
571-1871750	1-87175-0	A	4	Unstamped	.416 (10.57)	1,36	1,22	1,06
571-1871752	1-87175-2	A	5	Unstamped	.516 (13.11)	1,41	1,26	1,08
571-1871754	1-87175-4	A	6	Unstamped	.616 (15.65)	2,01	1,86	1,74
571-1-87175-3	1-87175-3	A	6	Stamped	.616 (15.65)	1,35	1,20	1,13
571-1-87175-6	1-87175-6	A	7	Unstamped	.716 (18.19)	2,42	2,18	2,08
571-1-87175-5	1-87175-5	A	7	Stamped	.716 (18.19)	1,39	1,25	1,11
571-1-87175-8	1-87175-8	A	8	Unstamped	.816 (20.73)	2,49	2,31	2,14
571-1871757	1-87175-7	A	8	Stamped	.816 (20.73)	1,45	1,29	1,20
571-2871750	2-87175-0	A	9	Unstamped	.916 (23.27)	2,48	2,24	2,05
571-1-87175-9	1-87175-9	A	9	Stamped	.916 (23.27)	1,64	1,52	1,26
571-2-87175-2	2-87175-2	A	10	Unstamped	1.016 (25.81)	2,76	2,49	2,45
571-2-87175-1	2-87175-1	A	10	Stamped	1.016 (25.81)	1,37	1,23	1,12
571-2-87175-4	2-87175-4	A	11	Unstamped	1.116 (28.35)	5,92	5,36	4,91
571-1-87175-3	1-87175-3	A	11	Stamped	1.116 (28.35)	1,56	1,41	1,17
571-2-87175-6	2-87175-6	A	12	Unstamped	1.216 (30.89)	2,94	2,65	2,50
571-2-87175-5	2-87175-5	A	12	Stamped	1.216 (30.89)	1,49	1,35	1,17
571-1-87175-8	2-87175-8	A	13	Unstamped	1.316 (33.43)	2,72	2,45	2,29
571-3-87175-0	3-87175-0	A	14	Unstamped	1.416 (35.97)	2,71	2,42	2,24
571-87175-4	87175-4	A	15	Unstamped	1.516 (38.51)	2,63	2,38	2,23
571-87175-3	87175-3	A	15	Stamped	1.516 (38.51)	2,31	2,08	1,73

Double Row - Housings

For quantities greater than listed, call for quote.

MOUSER STOCK NO.	TE Part No.	Fig.	No. of Positions	Description	Dimension A Inch (mm)	Price Each		
						1	25	50
571-871331	87133-1	B	4	Unstamped	.216 (5.49)	2,31	1,89	1,77
571-87133-7	87133-7	B	6	Unstamped	.316 (8.06)	1,91	1,69	1,60
571-87133-8	87133-8	B	6	Stamped	.316 (8.06)	1,49	1,34	1,13
571-871339	87133-9	B	8	Unstamped	.416 (10.57)	6,45	6,24	5,79
571-871332	87133-2	B	10	Unstamped	.516 (13.11)	1,31	1,18	1,11
571-871335	87133-5	B	10	Stamped	.516 (13.11)	1,01	0,915	0,836
571-1-87133-1	1-87133-1	B	12	Unstamped	.616 (15.65)	2,90	2,61	2,25
571-871333	87133-3	B	20	Unstamped	1.016 (25.81)	3,24	2,95	2,62

Locking Clip Contacts

For quantities greater than listed, call for quote.

MOUSER STOCK NO.	TE Part No.	Fig.	Description	Dimension A Inch (mm)	Price Each		
					1	100	500
571-871911	87191-1	C	30-28 AWG, Gold	.550 (13.97)	0,47	0,38	0,374
571-5-87191-2	5-87191-2	C	30-28 AWG, Tin	.550 (13.97)	0,29	0,25	0,241
571-871651	87165-1	C	26-22 AWG, Gold	.584 (14.83)	1,00	0,79	0,733
571-5-87165-2	5-87165-2	C	26-22 AWG, Tin	.584 (14.83)	0,46	0,445	0,445

Accessories

For quantities greater than listed, call for quote.

MOUSER STOCK NO.	TE Part No.	Fig.	Description	Price Each
571-871791	87179-1	-	Keying Plug	0,19
571-910841	91084-1	-	Extraction Tool	34,08



RoHS Compliant

Non-Polarized Housings

For quantities greater than listed, call for quote.

MOUSER STOCK NO.	TE Part No.	Fig.	No. of Positions	Dimension A Inch (mm)	Price Each		
					1	25	50
571-104482-1	104482-1	D	4	.198 (5.03)	0,98	0,897	0,805
571-104482-2	104482-2	D	6	.298 (7.57)	1,09	0,98	0,791
571-104482-3	104482-3	D	8	.398 (10.11)	1,00	0,897	0,775
571-104482-4	104482-4	D	10	.498 (12.65)	1,10	0,99	0,822
571-104482-5	104482-5	D	12	.598 (15.19)	1,11	0,98	0,793
571-104482-6	104482-6	D	14	.698 (17.73)	1,12	0,98	0,793
571-104482-7	104482-7	D	16	.798 (20.27)	1,13	1,01	0,822
571-104482-8	104482-8	D	18	.898 (22.81)	1,07	0,981	0,834
571-104482-9	104482-9	D	20	.998 (25.35)	1,16	1,04	0,848
571-1-104482-0	1-104482-0	D	22	1.098 (27.89)	1,07	0,991	0,901
571-1-104482-1	1-104482-1	D	26	1.298 (32.97)	1,17	1,03	0,927
571-1-104482-2	1-104482-2	D	28	1.398 (35.51)	1,21	1,07	0,927
571-1-104482-3	1-104482-3	D	30	1.498 (38.05)	1,21	1,10	0,91
571-1-104482-4	1-104482-4	D	32	1.598 (40.59)	1,18	1,11	0,985
571-1-104482-5	1-104482-5	D	34	1.698 (43.13)	1,35	1,22	1,03
571-1-104482-6	1-104482-6	D	36	1.798 (45.67)	1,27	1,18	1,04
571-1-104482-7	1-104482-7	D	38	1.898 (48.21)	1,38	1,25	1,07
571-1-104482-8	1-104482-8	D	40	1.998 (50.75)	1,30	1,22	1,07
571-1-104482-9	1-104482-9	D	44	2.198 (55.83)	2,39	2,16	1,89
571-2-104482-0	2-104482-0	D	52	2.598 (65.99)	2,58	2,33	1,74

Polarized Housings

For quantities greater than listed, call for quote.

MOUSER STOCK NO.	TE Part No.	Fig.	No. of Positions	Dimension A Inch (mm)	Price Each		
					1	25	50
571-104483-1	104483-1	E	8	.98 (10.11)	1,11	0,991	0,822
571-104483-9	104483-9	E	14	.698 (17.73)	1,08	0,98	0,83
571-104483-2	104483-2	E	18	.898 (22.81)	1,11	1,00	0,826
571-104483-3	104483-3	E	20	.998 (25.35)	1,13	0,949	0,834
571-104483-4	104483-4	E	26	1.298 (32.97)	1,13	1,01	0,921
571-104483-5	104483-5	E	30	1.498 (38.05)	1,21	1,10	0,91
571-104483-6	104483-6	E	38	1.898 (48.21)	1,34	1,20	0,983
571-104483-7	104483-7	E	54	2.698 (68.53)	2,14	1,97	1,82
571-104483-8	104483-8	E	64	3.198 (81.23)	2,55	2,24	1,85

Contacts

For quantities greater than listed, call for quote.

MOUSER STOCK NO.	TE Part No.	Fig.	Wire Size AWG	Contact Plating	Price Each		
					1	100	500
571-1-104481-3	1-104481-3	F	32-28	30µ" Gold	0,16	0,105	0,10
571-1-104481-2	1-104481-2	F	32-28	15µ" Gold	0,19	0,126	0,124
571-5-104481-6	5-104481-6	F	32-28	Tin	0,16	0,101	0,094
571-1-104480-6	1-104480-6	F	26-22	30µ" Gold	0,14	0,13	0,12
571-1-104480-5	1-104480-5	F	26-22	15µ" Gold	0,09	0,08	0,078
571-1-104480-4	1-104480-4	F	26-22	Tin	0,09	0,08	0,075
571-1-104479-3	1-104479-3	F	24-20	30µ" Gold	0,15	0,115	0,107
571-1-104479-2	1-104479-2	F	24-20	15µ" Gold	0,15	0,116	0,109
571-1-104479-1	1-104479-1	F	24-20	Tin	0,18	0,115	0,11

Tools

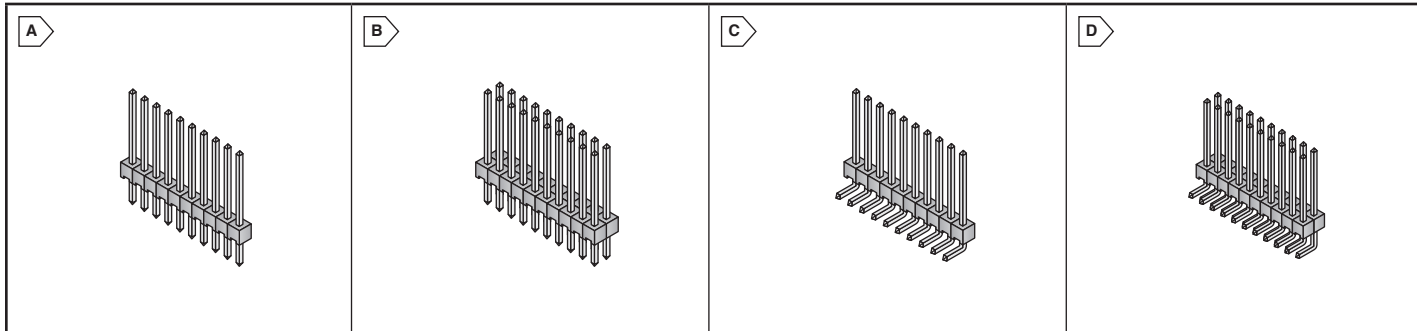
For quantities greater than listed, call for quote.

MOUSER STOCK NO.	TE Part No.	Contact Plating	Price Each
571-8434771	843477-1	Extraction Tool	30,64
571-91518-1	91518-1	Crimp Tool 32-28 AWG and 26-22 AWG	624,66

TE Breakaway Headers



This product is RoHS compliant.



TE BREAKAWAY HEADERS - SINGLE AND DOUBLE ROW

.025" Square Straight Posts

Material:

- Housing: UL94V-0 black thermoplastic
- Post: phosphor bronze
- .100" (2.54mm) Centers
- Unshrouded

* Contact Plating:

Plating A = Duplex plated .000030 min. gold on contact area. .0001 - .0002 min. tin on solder area, with entire post underplated .00005 min. nickel.
 Plating B = Duplex plated .000015 min. gold on contact area. .0001 - .0002 min. tin on solder area, with entire post underplated .00005 min. nickel.
 Plating C = .0001 - .0002 min. tin over .00005 nickel on entire post.

Vertical - Single Row, .100 Centerline

For quantities greater than listed, call for quote.

MOUSER STOCK NO.	TE Part No.	Fig.	No. of Pos.	Length		*	Price Each		
				Post	Tail		Contact Plating	1	100
571-5-146281-2	5-146281-2	A	2	0.230	0.120	A	0,22	0,198	0,186
571-5-146281-3	5-146281-3	A	3	0.230	0.120	A	0,47	0,375	0,339
571-5-146281-4	5-146281-4	A	4	0.230	0.120	A	0,58	0,507	0,465
571-5-146281-5	5-146281-5	A	5	0.230	0.120	A	0,74	0,705	0,641
571-5-146281-6	5-146281-6	A	6	0.230	0.120	A	0,89	0,848	0,757
571-5-146281-8	5-146281-8	A	8	0.230	0.120	A	1,17	1,01	0,958
571-6-146281-0	6-146281-0	A	10	0.230	0.120	A	1,46	1,29	1,23
571-9-146281-0	9-146281-0	A	40	0.230	0.120	A	2,88	2,25	1,97
571-5-146280-2	5-146280-2	A	2	0.230	0.120	B	0,30	0,221	0,185
571-5-146280-3	5-146280-3	A	3	0.230	0.120	B	0,44	0,41	0,397
571-5-146280-4	5-146280-4	A	4	0.230	0.120	B	0,32	0,316	0,316
571-5-146280-4	5-146280-4	A	5	0.230	0.120	B	0,32	0,316	0,316
571-5-146280-6	5-146280-6	A	6	0.230	0.120	B	0,90	0,597	0,503
571-5-146280-7	5-146280-7	A	7	0.230	0.120	B	0,95	0,914	0,828
571-9-146280-0	9-146280-0	A	40	0.230	0.120	B	2,39	2,26	1,82
571-5-146278-2	5-146278-2	A	2	0.230	0.120	C	0,14	0,12	0,114
571-5-146278-3	5-146278-3	A	3	0.230	0.120	C	0,17	0,144	0,139
571-5-146278-4	5-146278-4	A	4	0.230	0.120	C	0,47	0,441	0,397
571-5-146278-5	5-146278-5	A	5	0.230	0.120	C	0,31	0,288	0,269
571-5-146278-6	5-146278-6	A	6	0.230	0.120	C	0,50	0,487	0,438
571-5-146278-8	5-146278-8	A	8	0.230	0.120	C	0,90	0,804	0,76
571-6-146278-0	6-146278-0	A	10	0.230	0.120	C	1,02	0,914	0,87
571-9-146278-0	9-146278-0	A	40	0.230	0.120	C	2,05	1,71	1,48
571-5-146277-2	5-146277-2	A	2	0.318	0.125	A	0,25	0,213	0,188
571-5-146277-3	5-146277-3	A	3	0.318	0.125	A	0,47	0,397	0,387
571-5-146277-4	5-146277-4	A	4	0.318	0.125	A	0,58	0,517	0,495
571-5-146277-5	5-146277-5	A	5	0.318	0.125	A	0,43	0,412	0,377
571-5-146277-6	5-146277-6	A	6	0.318	0.125	A	0,90	0,848	0,77
571-6-146277-0	6-146277-0	A	10	0.318	0.125	A	1,36	1,22	1,15
571-7-146277-0	7-146277-0	A	20	0.318	0.125	A	3,07	2,92	2,63
571-9-146277-0	9-146277-0	A	40	0.318	0.125	A	2,52	2,26	1,98
571-5-146276-2	5-146276-2	A	2	0.318	0.125	B	0,32	0,265	0,256
571-5-146276-5	5-146276-5	A	5	0.318	0.125	B	0,68	0,616	0,558
571-5-146276-6	5-146276-6	A	6	0.318	0.125	B	0,76	0,694	0,628
571-6-146276-0	6-146276-0	A	10	0.318	0.125	B	1,42	1,36	1,22
571-9-146276-0	9-146276-0	A	40	0.318	0.125	B	2,50	2,07	1,83
571-5-146274-2	5-146274-2	A	2	0.318	0.125	C	0,15	0,125	0,109
571-5-146274-3	5-146274-3	A	3	0.318	0.125	C	0,35	0,309	0,276
571-5-146274-4	5-146274-4	A	4	0.318	0.125	C	0,26	0,244	0,226
571-5-146274-6	5-146274-6	A	6	0.318	0.125	C	0,52	0,503	0,455
571-9-146274-0	9-146274-0	A	40	0.318	0.125	C	2,15	1,92	1,55

Vertical - Double Row, .100 x .100 Centerline

For quantities greater than listed, call for quote.

MOUSER STOCK NO.	TE Part No.	Fig.	No. of Pos.	Length		*	Price Each		
				Post	Tail		Contact Plating	1	100
571-5-146257-2	5-146257-2	B	4	0.230	0.120	A	0,48	0,422	0,371
571-5-146257-3	5-146257-3	B	6	0.230	0.120	A	0,72	0,595	0,519
571-5-146257-4	5-146257-4	B	8	0.230	0.120	A	0,79	0,692	0,67
571-5-146257-5	5-146257-5	B	10	0.230	0.120	A	1,18	1,05	0,962
571-5-146257-6	5-146257-6	B	12	0.230	0.120	A	1,42	1,35	1,22
571-5-146257-7	5-146257-7	B	14	0.230	0.120	A	1,61	1,42	1,32
571-5-146257-8	5-146257-8	B	16	0.230	0.120	A	1,87	1,52	1,42
571-6-146257-0	6-146257-0	B	20	0.230	0.120	A	2,04	1,95	1,72
571-9-146257-0	9-146257-0	B	80	0.230	0.120	A	4,37	3,95	3,15
571-5-146256-2	5-146256-2	B	4	0.230	0.120	B	0,43	0,378	0,346
571-5-146256-3	5-146256-3	B	6	0.230	0.120	B	0,40	0,363	0,332

Vertical - Double Row, .100 x .100 Centerline (Cont.)

For quantities greater than listed, call for quote.

MOUSER STOCK NO.	TE Part No.	Fig.	No. of Pos.	Length		*	Price Each		
				Post	Tail		Contact Plating	1	100
571-5-146256-4	5-146256-4	B	8	0.230	0.120	B	0,59	0,469	0,446
571-5-146256-5	5-146256-5	B	10	0.230	0.120	B	1,21	1,03	0,83
571-5-146256-6	5-146256-6	B	12	0.230	0.120	B	1,26	1,19	1,07
571-5-146256-8	5-146256-8	B	16	0.230	0.120	B	1,83	1,71	1,56
571-6-146256-0	6-146256-0	B	20	0.230	0.120	B	2,04	1,79	1,64
571-7-146256-0	7-146256-0	B	40	0.230	0.120	B	3,81	3,42	3,23
571-9-146256-0	9-146256-0	B	80	0.230	0.120	B	3,63	3,06	2,78
571-5-146254-2	5-146254-2	B	4	0.230	0.120	C	0,19	0,192	0,192
571-5-146254-3	5-146254-3	B	6	0.230	0.120	C	0,51	0,454	0,436
571-5-146254-4	5-146254-4	B	8	0.230	0.120	C	0,49	0,454	0,399
571-5-146254-5	5-146254-5	B	10	0.230	0.120	C	0,81	0,767	0,675
571-4-103328-3	4-103328-3	B	14	0.230	0.120	C	0,75	0,681	0,627
571-5-146254-8	5-146254-8	B	16	0.230	0.120	C	1,03	0,962	0,908
571-7-146254-0	7-146254-0	B	40	0.230	0.120	C	3,23	3,07	2,76
571-9-146254-0	9-146254-0	B	80	0.230	0.120	C	2,93	2,65	2,15
571-5-146253-3	5-146253-3	B	6	0.318	0.125	A	0,72	0,681	0,618
571-5-146253-4	5-146253-4	B	8	0.318	0.125	A	0,71	0,668	0,608
571-5-146253-5	5-146253-5	B	10	0.318	0.125	A	1,24	1,05	0,983
571-5-146253-7	5-146253-7	B	14	0.318	0.125	A	1,73	1,64	1,47
571-5-146253-8	5-146253-8	B	16	0.318	0.125	A	1,98	1,88	1,69
571-7-146253-0	7-146253-0	B	40	0.318	0.125	A	4,95	4,19	3,86
571-9-146253-0	9-146253-0	B	80	0.318	0.125	A	4,42	3,93	3,18
571-5-146252-3	5-146252-3	B	6	0.318	0.125	B	0,38	0,367	0,328
571-5-146252-8	5-146252-8	B	16	0.318	0.125	B	1,81	1,72	1,55
571-9-146252-0	9-146252-0	B	80	0.318	0.125	B	4,00	3,64	2,91
571-5-146250-7	5-146250-7	B	14	0.318	0.125	C	1,28	1,22	1,09
571-7-146250-0	7-146250-0	B	40	0.318	0.125	C	3,23	2,90	2,74
571-9-146250-0	9-146250-0	B	80	0.318	0.125	C	2,86	2,71	2,43

Right Angle Posts, Single Row, .100" Centers

For quantities greater than listed, call for quote.

MOUSER STOCK NO.	TE Part No.	Fig.	No. of Pos.	Length		*	Price Each		
				Post	Tail		Contact Plating	1	100
571-9-146304-0	9-146304-0	C	40	0.230	0.120	A	3,35	2,83	2,20
571-9-103329-0	9-103329-0	C	40	0.230	0.120	C	2,24	1,83	1,44
571-9-146305-0	9-146305-0	C	40	0.318	0.110	A	2,83	2,58	2,19
571-9-103323-0	9-103323-0	C	40	0.318	0.110	C	1,48	1,29	1,19

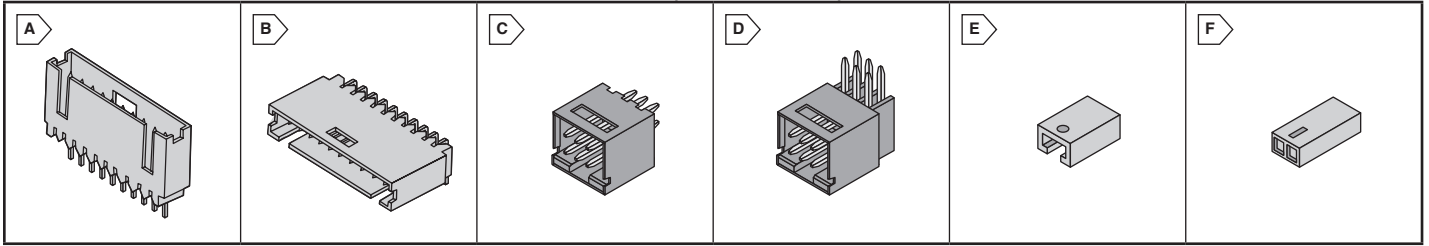
Right Angle Posts, Double Row, .100" x .100" Centers

For quantities greater than listed, call for quote.

MOUSER STOCK NO.	TE Part No.	Fig.	No. of Pos.	Length		*	Price Each		
				Post	Tail		Contact Plating	1	100
571-9-146308-0	9-146308-0	D	80	0.230	0.120	A	8,35	6,68	5,33
571-9-103330-0	9-103330-0	D	80	0.230	0.120	C	3,59	3,29	2,59
571-9-146309-0	9-146309-0	D	80	0.318	0.110	A	7,83	6,58	5,35
571-9-103324-0	9-103324-0	D	80	0.318	0.110	C	3,46	2,97	2,73

TE Standard Profile Headers

RoHS Compliant This product is RoHS compliant.



STANDARD PROFILE HEADERS - .100" (2.54MM) CENTERS

Material:

- Housing: UL94V-0, Bk Thermoplastic
- .100" (2.54mm) Centers
- .025" Sq. Straight or Right-Angle Post
- Shrouded
- Post: Copper Alloy, plated as follows

* Contact Plating:

- 1 = Duplex plated .000030 min. gold on contact area. .0001 ~ .0002 min. tin on solder area, w/ entire post underplated .000050 min. nickel.
- 2 = Duplex plated .000015 min. gold on contact area. .0001 ~ .0002 min. tin on solder area, w/ entire post underplated .000050 min. nickel.
- 3 = .000100 ~ .000200 tin over .000050 nickel on entire post.



RoHS Compliant

.025" Sq. Straight Posts with standoffs - Single Row

For quantities greater than listed, call for quote.

MOUSER STOCK NO.	TE Part No.	Fig.	No. of Pos.	Width (mm)	*Contact Plating	Price Each	
						1	25
571-5-103414-1	5-103414-1	A	3	10.67	1	1,42	1,36
571-8-102202-4	8-102202-4	A	3	10.67	2	1,06	1,06
571-5-103080-1	5-103080-1	A	3	10.67	3	1,26	1,13
571-5-103414-2	5-103414-2	A	4	13.21	1	1,52	1,46
571-5-102202-1	5-102202-1	A	4	13.21	2	1,28	1,24
571-5-103080-2	5-103080-2	A	4	13.21	3	1,47	1,31
571-5-103414-3	5-103414-3	A	5	15.75	1	2,63	2,49
571-5-102202-2	5-102202-2	A	5	15.75	2	1,33	1,20
571-5-102202-3	5-102202-3	A	6	18.29	2	1,63	1,62
571-5-103414-6	5-103414-6	A	8	23.37	1	1,90	1,82
571-5-102202-5	5-102202-5	A	8	23.37	2	1,76	1,75
571-5-103414-8	5-103414-8	A	10	28.45	1	2,28	2,18
571-5-102202-7	5-102202-7	A	10	28.45	2	2,61	2,48
571-6-103414-0	6-103414-0	A	12	33.53	1	2,72	2,48
571-6-103414-2	6-103414-2	A	14	38.61	1	3,64	3,39
571-6-102202-1	6-102202-1	A	14	38.61	2	2,97	2,67
571-6-102202-3	6-102202-3	A	16	43.69	2	3,66	3,29
571-6-102202-7	6-102202-7	A	20	53.85	2	4,44	3,99

.025" Sq. Right-Angle Posts with standoffs - Single Row

For quantities greater than listed, call for quote.

MOUSER STOCK NO.	TE Part No.	Fig.	No. of Pos.	Width (mm)	*Contact Plating	Price Each	
						1	25
571-8-102203-4	8-102203-4	B	3	10.67	2	1,44	1,30
571-5-102523-2	5-102523-2	B	3	10.67	3	1,41	1,25
571-5-103361-2	5-103361-2	B	4	13.21	1	1,52	1,46
571-3-102203-7	3-102203-7	B	4	13.21	2	1,33	1,32
571-5-102523-1	5-102523-1	B	4	13.21	3	1,17	1,04
571-5-102203-2	5-102203-2	B	5	15.75	2	1,41	1,26
571-5-103361-4	5-103361-4	B	6	18.29	1	1,71	1,68
571-5-102203-3	5-102203-3	B	6	18.29	2	1,51	1,35
571-5-103361-6	5-103361-6	B	8	23.37	1	1,90	1,82

.025" Sq. Straight Post with Detent Windows, .066" End Dim. - Double Row

For quantities greater than listed, call for quote.

MOUSER STOCK NO.	TE Part No.	Fig.	No. of Pos.	Width (mm)	*Contact Plating	Price Each	
						1	25
571-5-103168-1	5-103168-1	C	6	10.46	1	2,56	2,42
571-5-102618-1	5-102618-1	C	6	10.46	2	1,99	1,94
571-5-103168-2	5-103168-2	C	8	13	1	2,70	2,57
571-5-102618-2	5-102618-2	C	8	13	2	2,37	2,30
571-8-87589-5	8-87589-5	C	8	13	3	1,13	1,01
571-5-103168-3	5-103168-3	C	10	15.54	1	2,61	2,48
571-5-102618-3	5-102618-3	C	10	15.54	2	2,66	2,64
571-5-103168-4	5-103168-4	C	12	18.08	1	2,99	2,88
571-5-102618-4	5-102618-4	C	12	18.08	2	2,61	2,59
571-5-103168-5	5-103168-5	C	14	20.62	1	3,43	3,29
571-5-103168-6	5-103168-6	C	16	23.16	1	4,42	4,29
571-5-87589-4	5-87589-4	C	16	23.16	3	1,71	1,55
571-5-103168-8	5-103168-8	C	20	28.24	1	3,22	2,89
571-5-102618-8	5-102618-8	C	20	28.24	2	3,97	3,61

SHUNTS

- Packaged: strips of 10, priced individually
- .100" centerline
- Housing: 94V-0 glass-filled black thermoplastic
- Contacts: phosphor bronze



RoHS Compliant

2 Position, Low Profile Shunt

For quantities greater than listed, call for quote.

MOUSER STOCK NO.	TE Part No.	Fig.	Plating	Price Each	
				1	100
571-2-382811-1	2-382811-1	E	Tin	0,12	0,11

.025" Sq. Straight Post with Detent Windows, .066" End Dim. - Double Row (cont.)

For quantities greater than listed, call for quote.

MOUSER STOCK NO.	TE Part No.	Fig.	No. of Pos.	Width (mm)	*Contact Plating	Price Each	
						1	25
571-6-102618-0	6-102618-0	C	24	33.32	2	2,99	2,69
571-6-103168-1	6-103168-1	C	26	35.86	1	4,97	4,47
571-6-102618-3	6-102618-3	C	30	40.94	2	4,12	3,70
571-6-102618-5	6-102618-5	C	34	46.02	2	6,87	6,18
571-6-87589-6	6-87589-6	C	40	53.64	3	4,18	3,76
571-7-103168-3	7-103168-3	C	50	66.34	1	9,22	8,29
571-5-103168-1	5-103168-1	C	6	10.46	1	2,56	2,42
571-5-103166-1	5-103166-1	D	6	10.46	1	3,18	2,60
571-5-102617-1	5-102617-1	D	6	10.46	2	2,18	2,13
571-5-103166-2	5-103166-2	D	8	13	1	2,70	2,57
571-5-102617-2	5-102617-2	D	8	13	2	2,31	2,07
571-5-103166-3	5-103166-3	D	10	15.54	1	2,89	2,76
571-5-87579-2	5-87579-2	D	10	15.54	3	1,86	1,66
571-5-103166-4	5-103166-4	D	12	18.08	1	2,89	2,83
571-5-102617-5	5-102617-5	D	14	20.62	2	2,54	2,28
571-5-102617-6	5-102617-6	D	16	23.16	2	3,53	3,24
571-5-103166-7	5-103166-7	D	18	25.7	1	4,41	3,96
571-5-102617-7	5-102617-7	D	18	25.7	2	2,98	2,68
571-5-87579-6	5-87579-6	D	18	25.7	3	1,56	1,40
571-5-87579-7	5-87579-7	D	20	28.24	3	2,82	2,53
571-6-102617-0	6-102617-0	D	24	33.32	2	4,66	4,20

.025" Sq. Straight Post with Detent Windows, .150" End Dimension - Double Row

For quantities greater than listed, call for quote.

MOUSER STOCK NO.	TE Part No.	Fig.	No. of Pos.	Width (mm)	*Contact Plating	Price Each	
						1	25
571-5-103169-1	5-103169-1	C	6	14.73	1	2,04	1,82
571-5-102619-1	5-102619-1	C	6	14.73	2	1,13	1,01
571-5-103169-2	5-103169-2	C	8	17.27	1	2,00	1,80
571-5-102619-2	5-102619-2	C	8	17.27	2	2,01	1,77
571-5-103169-3	5-103169-3	C	10	19.81	1	1,58	1,41
571-5-102619-3	5-102619-3	C	10	19.81	2	2,19	1,96
571-5-103169-4	5-103169-4	C	12	22.35	1	1,72	1,55
571-5-103169-5	5-103169-5	C	14	24.89	1	3,33	2,99
571-5-102619-5	5-102619-5	C	14	24.89	2	2,61	2,48
571-5-103169-8	5-103169-8	C	20	32.51	1	3,39	3,05
571-5-102619-8	5-102619-8	C	20	32.51	2	2,53	2,26
571-6-103169-0	6-103169-0	C	24	37.59	1	3,58	3,22
571-6-103169-3	6-103169-3	C	30	45.21	1	8,74	8,11
571-6-102619-3	6-102619-3	C	30	45.21	2	3,20	2,86
571-6-103169-5	6-103169-5	C	34	50.29	1	4,24	3,81
571-6-102619-5	6-102619-5	C	34	50.29	2	5,04	4,10
571-6-103169-8	6-103169-8	C	40	57.91	1	7,60	6,79

.025" Sq. Right-Angle Post with Detent Windows, .150" End Dimension - Double Row

For quantities greater than listed, call for quote.

MOUSER STOCK NO.	TE Part No.	Fig.	No. of Pos.	Width (mm)	*Contact Plating	Price Each	
						1	25
571-5-103167-2	5-103167-2	D	10	19.81	1	2,61	2,48
571-5-103167-3	5-103167-3	D	12	22.35	1	2,82	2,53
571-5-103167-5	5-103167-5	D	16	27.43	1	2,50	2,25
571-5-103167-7	5-103167-7	D	20	32.51	1	7,15	6,21
571-6-102570-0	6-102570-0	D	24	37.59	2	3,92	3,51
571-6-103167-0	6-103167-0	D	26	40.13	1	5,08	4,57

TE Standard Profile Headers

RoHS Compliant This product is RoHS compliant.

STANDARD PROFILE HEADERS UNSHROUDED .100" (2.54MM) CENTERS

Material:

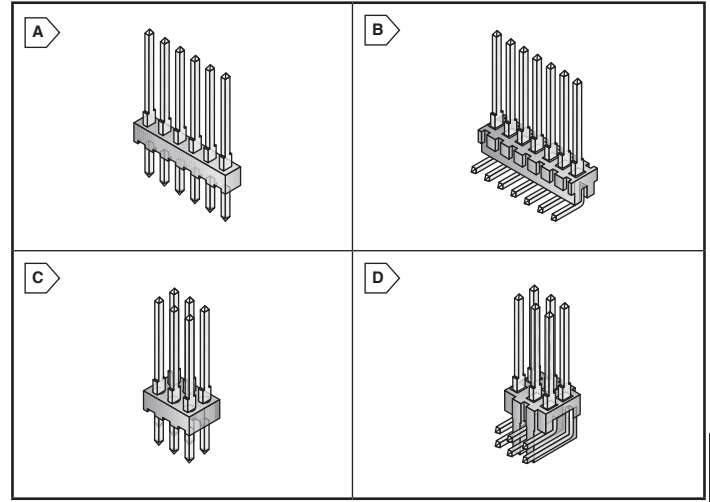
- Housing: Black Thermoplastic, flame retardant, UL94V-0 rated.
- Mating length for single and double row is .318 (8.08).

* Contact Plating:

- 1= Selectively plated .00003 (0.00076) gold on contact area with gold flash over .000050 (0.00127) nickel on entire post.
- 2= Selectively plated .000015 (0.00038) gold on contact area with gold flash over .000050 (0.00127) nickel on entire post.

For quantities greater than listed, call for quote.

MOUSER STOCK NO.	TE Part No.	Fig.	No. of Pos.	Width (mm)	*Contact Plating	Price Each	
						1	25
.025" Square Straight Posts - Single Row							
571-872241	87224-1	A	1	2.13	2	0,44	0,41
571-872202	87220-2	A	2	4.67	1	1,26	1,14
571-872242	87224-2	A	2	4.67	2	0,88	0,83
571-87220-3	87220-3	A	3	7.21	1	0,95	0,91
571-872243	87224-3	A	3	7.21	2	1,05	0,994
571-872244	87224-4	A	4	9.75	2	1,56	1,39
571-872207	87220-7	A	7	17.37	1	3,00	2,68
571-872208	87220-8	A	8	19.91	1	3,69	3,31
571-872248	87224-8	A	8	19.91	2	2,56	2,30
571-1872200	1-87220-0	A	10	24.99	1	3,94	3,53
571-1872240	1-87224-0	A	10	24.99	2	3,44	3,08
571-2872240	2-87224-0	A	20	50.39	2	6,69	6,02
571-4872240	4-87224-0	A	40	101.19	2	11,84	10,69
.025" Square Right-Angle Post - Single Row							
571-872328	87232-8	B	8	19.91	1	4,39	3,96
571-1872330	1-87233-0	B	10	24.99	2	3,77	3,52
.025" Square Straight Post - Double Row							
571-1872150	1-87215-0	C	2	2.13	1	1,44	1,29
571-872271	87227-1	C	2	2.13	2	1,28	1,16
571-1872151	1-87215-1	C	4	4.67	1	1,72	1,56
571-872272	87227-2	C	4	4.67	2	2,03	1,84
571-1872152	1-87215-2	C	6	7.21	1	2,83	2,56
571-872273	87227-3	C	6	7.21	2	2,16	1,94
571-872151	87215-1	C	8	9.75	1	3,24	3,21
571-872274	87227-4	C	8	9.75	2	3,32	2,97
571-872152	87215-2	C	10	12.29	1	3,41	3,05
571-872275	87227-5	C	10	12.29	2	3,51	3,37
571-872154	87215-4	C	14	17.37	1	4,57	4,27
571-872277	87227-7	C	14	17.37	2	3,42	3,01
571-872155	87215-5	C	16	19.91	1	6,50	5,87
571-872278	87227-8	C	16	19.91	2	5,06	4,73
571-872157	87215-7	C	20	24.99	1	7,19	6,53
571-1872270	1-87227-0	C	20	24.99	2	5,82	5,52
571-872159	87215-9	C	26	32.61	1	9,95	9,05
571-1872273	1-87227-3	C	26	32.61	2	8,49	7,67
571-1872157	1-87215-7	C	34	42.77	1	11,81	11,11
571-1872277	1-87227-7	C	34	42.77	2	7,88	7,13
571-2872155	2-87215-5	C	50	63.09	1	22,73	20,11



.025" Square Right-Angle Post - Double Row

For quantities greater than listed, call for quote.

MOUSER STOCK NO.	TE Part No.	Fig.	No. of Pos.	Width (mm)	*Contact Plating	Price Each	
						1	25
571-872303	87230-3	D	6	7.21	2	1,44	1,28
571-872304	87230-4	D	8	9.75	2	2,04	1,80
571-872305	87230-5	D	10	12.29	2	2,97	2,70
571-872306	87230-6	D	12	14.83	2	3,61	3,23
571-864792	86479-2	D	16	19.91	1	5,44	4,88
571-872308	87230-8	D	16	19.91	2	3,70	3,35
571-1872300	1-87230-0	D	20	24.99	2	4,06	3,77
571-1872302	1-87230-2	D	24	30.07	2	5,10	4,90

AMP-LATCH NOVO CONNECTORS

Features:

- Mates with .025" square or round pin, .245" max. post length
- IDC for fast, economical mass termination
- Tuning fork contact offers a military approved design at an economical cost

Specifications:

- Current rating: 1A per contact max.
- Insulation resistance: 5000MΩ min.
- Termination resistance: 15mΩ max.
- Operating temperature range: -65°C to +105°C

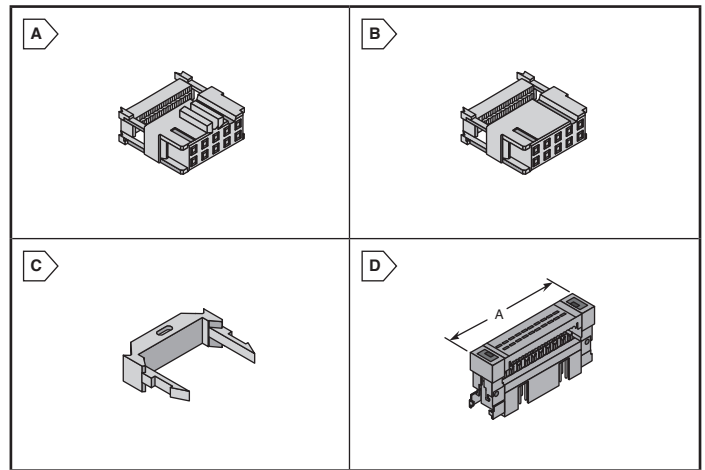
For quantities greater than listed, call for quote.

MOUSER STOCK NO.	TE Part No.	Fig.	No. of Pos.	Price Each		
				1	10	100
Center / Military Polarized Receptacles						
571-1658621-1	1658621-1	A	10	0,89	0,66	0,578
571-1658621-2	1658621-2	A	14	1,34	1,21	0,878
571-1658621-3	1658621-3	A	16	1,11	0,90	0,788
571-1658621-4	1658621-4	A	20	0,97	0,881	0,836
571-1658621-5	1658621-5	A	24	2,20	2,09	1,98
571-1658621-6	1658621-6	A	26	1,39	1,19	1,05
571-1658621-7	1658621-7	A	30	2,22	2,10	2,00
571-1658621-8	1658621-8	A	34	1,64	1,33	1,16
571-1658621-9	1658621-9	A	40	2,90	2,21	1,97
571-1-1658621-1	1-1658621-1	A	60	3,73	3,54	3,36
Military Polarized Receptacles						
571-1658620-1	1658620-1	B	10	0,91	0,86	0,821
571-1658620-2	1658620-2	B	14	1,35	1,28	1,22
571-1658620-3	1658620-3	B	16	1,45	1,37	1,30
571-1658620-4	1658620-4	B	20	1,52	1,44	1,37
571-1658620-5	1658620-5	B	24	2,20	2,07	1,98
571-1658620-6	1658620-6	B	26	2,39	2,21	2,15
571-1658620-7	1658620-7	B	30	2,50	2,37	2,25
571-1658620-8	1658620-8	B	34	1,94	1,88	1,83
571-1658620-9	1658620-9	B	40	2,46	2,33	2,22
571-1-1658620-0	1-1658620-0	B	50	2,83	2,68	2,55

Strain Reliefs

For quantities greater than listed, call for quote.

MOUSER STOCK NO.	TE Part No.	Fig.	No. of Pos.	Price Each		
				1	10	100
571-4992525	499252-5	C	10	0,16	0,13	0,12
571-4992529	499252-9	C	14	0,16	0,13	0,113
571-4992528	499252-8	C	16	0,17	0,14	0,125
571-499252-2	499252-2	C	20	0,19	0,157	0,121
571-14992520	1-499252-0	C	24	0,28	0,178	0,166
571-499252-3	499252-3	C	26	0,18	0,13	0,127
571-14992522	1-499252-2	C	30	0,15	0,14	0,13
571-4992526	499252-6	C	34	0,18	0,13	0,127
571-4992521	499252-1	C	40	0,21	0,17	0,159
571-4992524	499252-4	C	50	0,19	0,18	0,162
571-4992527	499252-7	C	60	0,34	0,33	0,314



AMP-LATCH UNIVERSAL .050 IDC I/O PIN CONNECTOR

Features:

- .100 X .100 Footprint
- 30µ" Gold
- Tin Solder Tail Contact Plating
- Black thermoplastic, UL 94V-0 rated
- No Mounting Ears

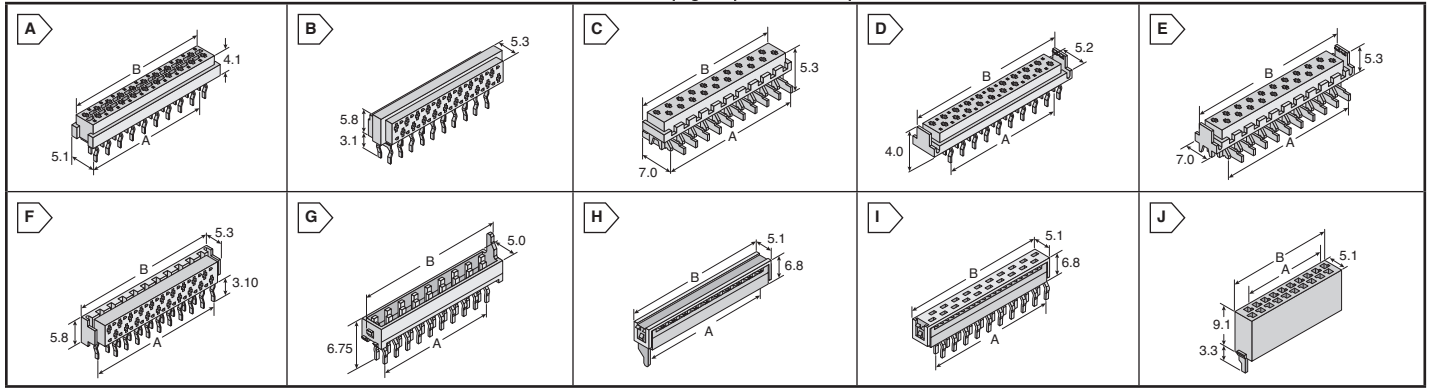


For quantities greater than listed, call for quote.

MOUSER STOCK NO.	TE Part No.	Fig.	No. of Pos.	Dim. A In. (mm)	Price Each		
					1	10	100
571-1-111446-4	1-111446-4	D	10	1.072 (27.23)	3,71	2,85	2,55
571-1-111446-6	1-111446-6	D	16	1.372 (34.85)	4,77	3,61	3,21
571-1-111446-8	1-111446-8	D	20	1.572 (39.93)	4,88	3,75	3,40
571-2-111446-0	2-111446-0	D	26	1.872 (47.55)	5,96	4,89	4,50
571-2-111446-1	2-111446-1	D	30	2.072 (52.63)	6,79	5,71	4,99
571-2-111446-2	2-111446-2	D	34	2.272 (57.71)	7,82	4,90	4,76
571-1-111446-7	1-111446-7	D	50	3.072 (78.03)	8,36	6,38	6,05

TE Micro-MaTch Connectors

RoHS Compliant This page of product is compliant.



Features/Benefits:

- One of the smallest systems available at 1.27 mm
- UL-recognized: File No. E28476, Vol. 23, Section 4
- High performance/cost ratio
- Tin plated contact design
- Fretting corrosion proof thanks to additional positioning spring member
- Fully plated contacts: no bare edges and no migration of corrosion products

Applications:

- Automotive
- Car radios
- Navigation systems
- Dashboard systems
- Consumer electronics
- Communication equipment: base stations and phones
- Instrumentation and measuring equipment
- Set top boxes
- High end audio and musical
- High end CTV

DIMENSIONS: mm



TE Connectivity Rectangular Connectors

FEMALE-ON-BOARD CONNECTORS

Mates w/: 338095, 215083, 215464

For quantities greater than listed, call for quote.

MOUSER STOCK NO.	TE Part No.	Fig.	No. of Positions	Dimensions: mm		Price Each		
				A	B	1	25	50
Thru Hole Vertical								
571-215079-4	215079-4	A	4	3.81	7.10	0,41	0,371	0,34
571-215079-6	215079-6	A	6	6.35	9.70	0,46	0,432	0,39
571-215079-8	215079-8	A	8	8.89	12.20	0,53	0,473	0,432
571-12150790	1-215079-0	A	10	11.43	14.70	0,42	0,387	0,366
571-1-215079-2	1-215079-2	A	12	13.97	17.30	0,74	0,669	0,598
571-2-215079-0	2-215079-0	A	20	24.13	27.40	1,16	1,06	0,954
Thru Hole Right Angle								
571-215460-6	215460-6	B	6	6.35	9.70	0,59	0,536	0,492
571-1-215460-0	1-215460-0	B	10	11.43	14.70	0,79	0,71	0,645
571-1-215460-2	1-215460-2	B	12	13.97	17.30	1,26	1,14	1,04
571-1-215460-4	1-215460-4	B	14	16.51	19.80	1,58	1,43	1,29
571-1-215460-6	1-215460-6	B	16	19.05	22.40	1,22	1,11	0,998
571-2-215460-0	2-215460-0	B	20	24.13	27.40	2,01	1,79	1,58
SMT Vertical								
571-188275-4	188275-4	C	4	3.81	7.10	0,77	0,691	0,662
571-188275-6	188275-6	C	6	6.35	9.70	0,97	0,886	0,835
571-1-188275-2	1-188275-2	C	12	13.97	17.30	1,59	1,45	1,29
571-2-188275-0	2-188275-0	C	20	24.13	27.40	3,31	3,00	2,71

FEMALE-ON-BOARD LOCKING CONNECTORS

Mates w/: 338095, 215083, 215464

For quantities greater than listed, call for quote.

MOUSER STOCK NO.	TE Part No.	Fig.	No. of Positions	Dimensions: mm		Price Each		
				A	B	1	25	50
Thru Hole Vertical								
571-338068-4	338068-4	D	4	3.81	9.70	0,37	0,336	0,287
571-1-338068-0	1-338068-0	D	10	11.43	17.30	0,95	0,831	0,684
571-1-338068-8	1-338068-8	D	18	21.59	27.40	1,31	1,18	1,07
571-2-338068-0	2-338068-0	D	20	24.13	30.00	1,89	1,66	1,53
Thru Hole Right Angle								
571-338070-4	338070-4	E	4	3.81	9.70	0,67	0,60	0,54
571-338070-6	338070-6	E	6	6.35	12.20	0,87	0,79	0,71
571-338070-8	338070-8	E	8	8.89	14.70	0,99	0,90	0,81
571-1-338070-0	1-338070-0	E	10	11.43	17.30	2,36	2,17	1,91
571-1-338070-2	1-338070-2	E	12	13.97	19.80	2,70	2,28	2,11
SMT Vertical								
571-338069-4	338069-4	F	4	3.81	9.70	0,75	0,679	0,613
571-338069-6	338069-6	F	6	6.35	12.20	1,10	0,989	0,901
571-338069-8	338069-8	F	8	8.89	14.70	1,44	1,30	1,18
571-1-338069-2	1-338069-2	F	12	13.97	19.80	2,29	1,93	1,79
571-1-338069-6	1-338069-6	F	16	19.05	24.90	2,45	2,21	1,99
571-1-338069-8	1-338069-8	F	18	21.59	27.40	2,69	2,43	2,16
571-2-338069-0	2-338069-0	F	20	24.13	30.00	2,80	2,41	2,13

CONTACTS

For quantities greater than listed, call for quote.

MOUSER STOCK NO.	TE Part No.	Description	Price Each			
			1	25	50	100
571-1-338096-1	1-338096-1	Contact 28-24 AWG	0,15	0,124	0,118	0,113
571-1-338097-1	1-338097-1	Contact 24-20 AWG	0,13	0,122	0,113	0,107

THRU HOLE MALE-ON-BOARD CONNECTORS -VERTICAL

For quantities greater than listed, call for quote.

MOUSER STOCK NO.	TE Part No.	Fig.	No. of Positions	Dimensions: mm		Price Each		
				A	B	1	25	50
571-215464-4	215464-4	G	4	3.81	8.20	0,48	0,439	0,393
571-215464-6	215464-6	G	6	6.35	10.70	0,47	0,413	0,381
571-215464-8	215464-8	G	8	8.89	13.30	0,69	0,638	0,576
571-1-215464-0	1-215464-0	G	10	11.43	15.80	0,75	0,701	0,629
571-1-215464-2	1-215464-2	G	12	13.97	18.30	0,80	0,742	0,68
571-1-215464-4	1-215464-4	G	14	16.51	20.80	0,88	0,823	0,762
571-1-215464-8	1-215464-8	G	18	21.59	25.90	1,23	1,15	1,06
571-2-215464-0	2-215464-0	G	20	24.13	28.40	1,33	1,16	1,02

Mates w/: 215079, 215460, 188275, 215079, 338068, 338069, 3380701

MALE-ON-WIRE CONNECTORS

For quantities greater than listed, call for quote.

MOUSER STOCK NO.	TE Part No.	Fig.	No. of Positions	Dimensions: mm		Price Each		
				A	B	1	25	50
571-215083-4	215083-4	H	4	3.81	8.60	0,34	0,299	0,279
571-215083-6	215083-6	H	6	6.35	11.10	0,59	0,536	0,496
571-215083-8	215083-8	H	8	8.89	13.60	0,46	0,402	0,368
571-12150830	1-215083-0	H	10	11.43	16.20	0,59	0,535	0,511
571-1-215083-2	1-215083-2	H	12	13.97	18.70	0,89	0,821	0,74
571-2-215083-0	2-215083-0	H	20	24.13	28.90	1,19	1,07	0,973

Mates w/: 215079, 215460, 188275, 215079, 338068, 338069, 3380701

THRU HOLE MALE PADDLE BOARD CONNECTORS - VERTICAL

For quantities greater than listed, call for quote.

MOUSER STOCK NO.	TE Part No.	Fig.	No. of Positions	Dimensions: mm		Price Each		
				A	B	1	25	50
571-215570-4	215570-4	I	4	3.81	8.60	0,28	0,25	0,224
571-215570-8	215570-8	I	8	8.89	13.60	0,45	0,41	0,363
571-1-215570-0	1-215570-0	I	10	11.43	16.20	0,80	0,751	0,689
571-1-215570-2	1-215570-2	I	12	13.97	18.70	0,93	0,875	0,803

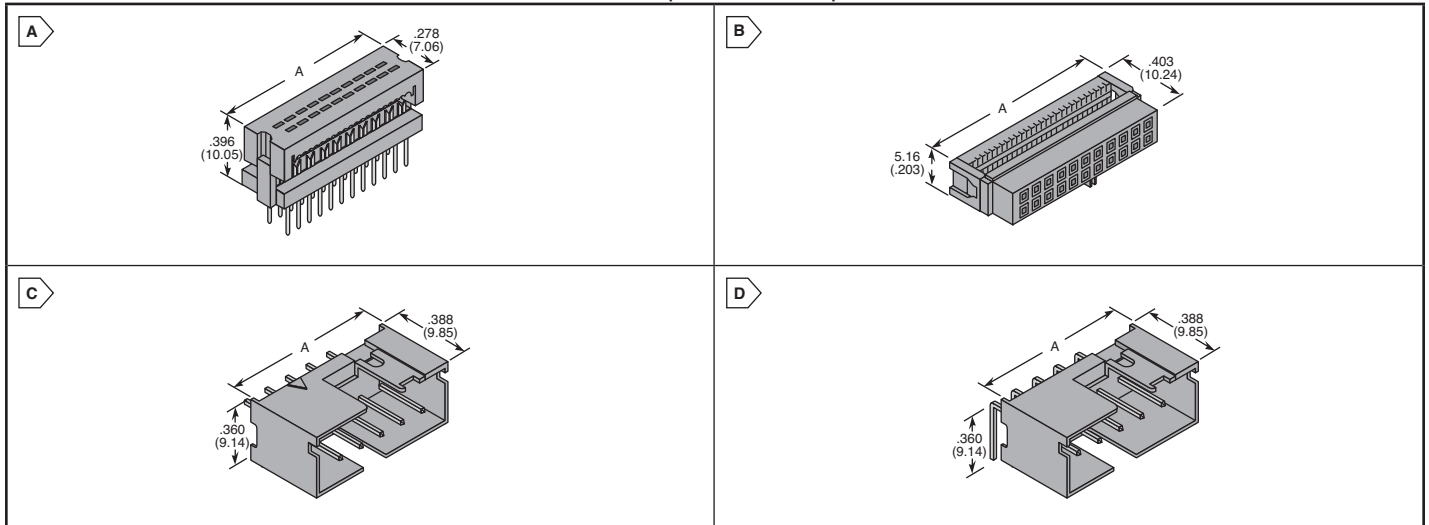
No mate; direct soldering of ribbon cable onto the PC Board

CRIMP ON SNAP IN (COSI) CONNECTORS

For quantities greater than listed, call for quote.

MOUSER STOCK NO.	TE Part No.	Fig.	No. of Positions	Dimensions: mm		Price Each		
				A	B	1	25	50
571-338095-4	338095-4	J	4	3.81	8.40	0,34	0,309	0,278
571-338095-8	338095-8	J	8	8.89	13.50	0,44	0,39	0,37
571-1-338095-0	1-338095-0	J	10	11.43	16.00	0,45	0,44	0,42
571-1-338095-2	1-338095-2	J	12	13.97	18.50	1,08	0,854	0,741
571-1-338095-4	1-338095-4	J	14	16.51	21.10	1,14	1,01	0,886
571-1-338095-6	1-338095-6	J	16	19.05	23.60	0,65	0,61	0,56
571-1-338095-8	1-338095-8	J	18	21.59	26.20	1,27	1,08	0,988
571-2-338095-0	2-338095-0	J	20	24.13	28.70	0,68	0,66	0,65

Mates w/: 215079, 215460, 188275, 215079, 338068, 338069, 3380701
Contacts: 338096-1, 338097-1



TE .050 CENTERLINE IDC DIP PLUGS

Specifications:

- .100 x .100 Footprint
- Tin Plated
- Black thermoplastic, UL 94V-0 rated



RoHS Compliant

For quantities greater than listed, call for quote.

MOUSER STOCK NO.	TE Part No.	Fig.	No. of Pos.	Dim. A In. (mm)	Price Each		
					1	10	100
571-2-746610-1	2-746610-1	A	10	0.68 (17.27)	1,97	1,32	1,16
571-2-746610-2	2-746610-2	A	14	0.88 (22.35)	0,78	0,76	0,751
571-1-746610-4	1-746610-4	A	16	0.98 (24.89)	1,61	1,41	1,31
571-1-746610-5	1-746610-5	A	20	1.18 (29.97)	2,04	1,88	1,73
571-2-746610-3	2-746610-3	A	24	1.38 (35.05)	1,85	1,76	1,67
571-1-746610-6	1-746610-6	A	26	1.48 (37.59)	2,19	1,67	1,61
571-1-746610-7	1-746610-7	A	30	1.68 (42.67)	2,81	2,50	2,12
571-1-746610-8	1-746610-8	A	34	1.88 (47.75)	2,11	1,52	1,51
571-1-746610-9	1-746610-9	A	40	2.18 (55.37)	3,00	2,76	2,51
571-2-746610-6	2-746610-6	A	44	2.38 (60.45)	3,26	3,09	2,94
571-2-746610-0	2-746610-0	A	50	2.68 (68.07)	2,29	1,94	1,94
571-2-746610-4	2-746610-4	A	60	3.18 (80.77)	3,44	1,62	1,56
571-2-746610-5	2-746610-5	A	64	3.38 (85.85)	3,20	1,69	1,62

TE 1MM CENTERLINE IDC RECEPTACLE ASSEMBLIES

Specifications:

- 2mm x 2mm Footprint
- 30µ" Plated
- Polarized
- Black Polyester, UL 94V-0 Rated



RoHS Compliant

For quantities greater than listed, call for quote.

MOUSER STOCK NO.	TE Part No.	Fig.	No. of Pos.	Dim. A In. (mm)	Price Each		
					1	10	100
571-1-111623-8	1-111623-8	B	10	0.597 (15.16)	3,60	3,42	3,24
571-1-111623-9	1-111623-9	B	14	0.755 (19.18)	4,30	4,08	3,88
571-2-111623-0	2-111623-0	B	16	0.834 (21.18)	3,37	3,25	3,04
571-2-111623-1	2-111623-1	B	20	0.991 (25.17)	2,98	2,83	2,68
571-2-111623-7	2-111623-7	B	24	1.149 (29.18)	5,15	4,89	4,64
571-2-111623-2	2-111623-2	B	26	1.227 (31.17)	5,20	4,94	4,69
571-1-111623-3	2-111623-3	B	30	1.385 (35.18)	3,40	3,23	3,06
571-2-111623-4	2-111623-4	B	40	1.779 (45.19)	4,18	3,97	3,77
571-2-111623-5	2-111623-5	B	44	1.936 (49.17)	4,18	3,97	3,77
571-2-111623-6	2-111623-6	B	50	2.172 (55.17)	4,65	4,41	4,19

TE LOW PROFILE HEADER

Specifications:

- Center, Dual Polarizing Bar
- Black thermoplastic, UL 94V-0 rated
- Center, Dual Polarizing Bar
- Black thermoplastic, UL 94V-0 rated



RoHS Compliant

Vertical Headers, 15µ" Gold

For quantities greater than listed, call for quote.

MOUSER STOCK NO.	TE Part No.	Fig.	No. of Pos.	Dim. A In. (mm)	Price Each		
					1	10	100
571-5103308-1	5103308-1	C	10	0.80 (20.32)	0,88	0,79	0,73
571-5103308-2	5103308-2	C	14	1.00 (25.40)	1,71	1,62	1,54
571-5103308-3	5103308-3	C	16	1.10 (27.94)	1,31	1,25	0,98
571-5103308-5	5103308-5	C	20	1.30 (33.02)	1,18	0,958	0,845
571-1-5103308-3	1-5103308-3	C	24	1.50 (38.10)	1,46	1,38	1,31
571-5103308-6	5103308-6	C	26	1.60 (40.64)	1,25	1,15	1,06
571-5103308-7	5103308-7	C	34	2.00 (50.80)	3,24	3,13	2,79
571-5103308-8	5103308-8	C	40	2.30 (58.42)	1,90	1,75	1,61
571-1-5103308-0	1-5103308-0	C	50	2.80 (71.12)	2,56	2,35	2,17
571-1-5103308-2	1-5103308-2	C	60	3.30 (83.82)	10,53	10,10	9,50

TE LOW PROFILE HEADERS

Specifications:

- Center, Dual Polarizing Bar
- Black thermoplastic, UL 94V-0 rated



RoHS Compliant

Vertical Headers, 30µ" Gold

For quantities greater than listed, call for quote.

MOUSER STOCK NO.	TE Part No.	Fig.	No. of Pos.	Dim. A In. (mm)	Price Each		
					1	10	100
571-5103309-1	5103309-1	C	10	0.80 (20.32)	0,78	0,74	0,703
571-5103309-2	5103309-2	C	14	1.00 (25.40)	1,07	0,93	0,77
571-5103309-3	5103309-3	C	16	1.10 (27.94)	1,22	1,13	0,93
571-5103309-5	5103309-5	C	20	1.30 (33.02)	1,86	1,76	1,67
571-5103309-6	5103309-6	C	26	1.60 (40.64)	1,62	1,45	1,26
571-5103309-7	5103309-7	C	34	2.00 (50.80)	2,52	2,39	2,27
571-5103309-8	5103309-8	C	40	2.30 (58.42)	7,13	6,77	6,43
571-1-5103309-0	1-5103309-0	C	50	2.80 (71.12)	3,51	3,33	3,16

Right Angle Headers, 15µ" Gold

RoHS Compliant

For quantities greater than listed, call for quote.

MOUSER STOCK NO.	TE Part No.	Fig.	No. of Pos.	Dim. A In. (mm)	Price Each		
					1	10	100
571-5103310-1	5103310-1	D	10	0.80 (20.32)	0,82	0,75	0,69
571-5103310-2	5103310-2	D	14	1.00 (25.40)	2,87	2,72	2,59
571-5103310-3	5103310-3	D	16	1.10 (27.94)	0,87	0,81	0,73
571-5103310-5	5103310-5	D	20	1.30 (33.02)	1,81	1,73	1,39
571-5103310-6	5103310-6	D	26	1.60 (40.64)	4,52	4,16	3,83
571-5103310-7	5103310-7	D	34	2.00 (50.80)	5,69	5,24	4,82
571-5103310-8	5103310-8	D	40	2.30 (58.42)	6,40	5,83	5,36
571-1-5103310-0	1-5103310-0	D	50	2.80 (71.12)	2,76	2,54	2,34

Right Angle Headers, 30µ" Gold

RoHS Compliant

For quantities greater than listed, call for quote.

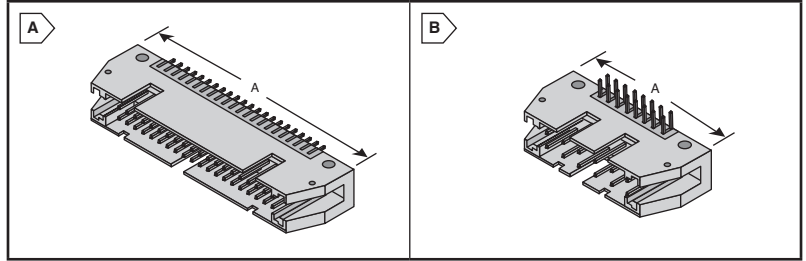
MOUSER STOCK NO.	TE Part No.	Fig.	No. of Pos.	Dim. A In. (mm)	Price Each		
					1	10	100
571-5103311-1	5103311-1	D	10	0.80 (20.32)	0,89	0,83	0,80
571-5103311-2	5103311-2	D	14	1.00 (25.40)	2,34	1,97	1,67
571-5103311-3	5103311-3	D	16	1.10 (27.94)	3,50	3,32	3,15
571-5103311-5	5103311-5	D	20	1.30 (33.02)	4,38	4,16	3,95
571-5103311-6	5103311-6	D	26	1.60 (40.64)	4,17	3,43	3,10
571-5103311-7	5103311-7	D	34	2.00 (50.80)	7,05	6,69	6,36
571-5103311-8	5103311-8	D	40	2.30 (58.42)	5,61	5,32	5,06
571-1-5103311-0	1-5103311-0	D	60	3.30 (83.82)	3,41	3,23	2,86

TE .100" x .100" Latch/Ejector Headers

RoHS Compliant This product is RoHS compliant.

Features:

- Dual-Polarized Universal Ejection-Style Pin Headers
- .100 x .100" (2.54 x 2.54mm) Centers
- Straight-Thru or Right-Angle .025" (0.64mm) Square Posts
- .240" (6.10mm) Mating Post Length
- Recognized under the Component Program of Underwriters Laboratories Inc. File No. E28476
- Certified by the Canadian Standards Association, File No. LR 7189
- Current Rating: 1A
- Housing Material: Thermoplastic, UL94V-O Rated
- Temperature Range: -55° - +105°C



VERTICAL HEADERS

Without Latches

For quantities greater than listed, call for quote.

MOUSER STOCK NO.	TE Part No.	Fig.	No. of Pos.	Contact Gold Plating	Dim. A In. (mm)	Price Each		
						1	10	100
571-5102153-1	5102153-1	A	10	15µ"	1.26 (32.00)	0,87	0,82	0,785
571-5102154-1	5102154-1	A	10	30µ"	1.26 (32.00)	0,99	0,94	0,893
571-5102153-2	5102153-2	A	14	15µ"	1.46 (37.08)	1,34	1,20	0,956
571-5102154-2	5102154-2	A	14	30µ"	1.46 (37.08)	1,49	1,41	1,34
571-5102153-3	5102153-3	A	16	15µ"	1.56 (39.62)	1,53	1,20	1,09
571-5102154-3	5102154-3	A	16	30µ"	1.56 (39.62)	1,50	1,42	1,35
571-5102153-4	5102153-4	A	20	15µ"	1.76 (44.70)	1,70	1,61	1,53
571-5102154-4	5102154-4	A	20	30µ"	1.76 (44.70)	1,85	1,75	1,66
571-5102153-5	5102153-5	A	24	15µ"	1.96 (49.78)	2,17	1,77	1,58
571-5102153-6	5102153-6	A	26	15µ"	2.06 (52.32)	2,05	1,94	1,85
571-5102154-6	5102154-6	A	26	30µ"	2.06 (52.32)	2,17	2,06	1,95
571-5102153-8	5102153-8	A	34	15µ"	2.46 (62.48)	3,16	2,89	2,49
571-5102154-8	5102154-8	A	34	30µ"	2.46 (62.48)	2,44	2,31	2,20
571-5102153-9	5102153-9	A	40	15µ"	2.76 (70.10)	3,14	2,98	2,83
571-5102154-9	5102154-9	A	40	30µ"	2.76 (70.10)	3,54	3,36	3,19
571-1-5102153-0	1-5102153-0	A	50	15µ"	3.26 (82.80)	4,56	4,15	3,65
571-1-5102154-0	1-5102154-0	A	50	30µ"	3.26 (82.80)	4,42	4,19	3,98
571-1-5102154-1	1-5102154-1	A	60	30µ"	3.76 (95.50)	4,14	3,93	3,73
571-1-5102153-2	1-5102153-2	A	64	15µ"	3.96 (100.58)	5,51	5,34	4,37

RIGHT ANGLE HEADERS

Without Latches

For quantities greater than listed, call for quote.

MOUSER STOCK NO.	TE Part No.	Fig.	No. of Pos.	Contact Gold Plating	Dim. A In. (mm)	Price Each		
						1	10	100
571-5102159-1	5102159-1	B	10	15µ"	1.26 (32.00)	0,99	0,97	0,94
571-5102160-1	5102160-1	B	10	30µ"	1.26 (32.00)	1,35	1,28	1,21
571-5102159-2	5102159-2	B	14	15µ"	1.46 (37.08)	1,34	1,21	0,964
571-5102159-3	5102159-3	B	16	15µ"	1.56 (39.62)	1,70	1,50	1,13
571-5102160-3	5102160-3	B	16	30µ"	1.56 (39.62)	2,26	2,14	2,03
571-5102159-4	5102159-4	B	20	15µ"	1.76 (44.70)	1,94	1,77	1,54
571-5102160-4	5102160-4	B	20	30µ"	1.76 (44.70)	2,40	2,28	2,16
571-5102160-5	5102160-5	B	24	30µ"	1.96 (49.78)	3,24	2,58	2,37
571-5102159-6	5102159-6	B	26	15µ"	2.06 (52.32)	2,17	2,06	1,95
571-5102160-6	5102160-6	B	26	30µ"	2.06 (52.32)	2,88	2,73	2,59
571-5102159-8	5102159-8	B	34	15µ"	2.46 (62.48)	3,11	2,68	2,45
571-5102160-8	5102160-8	B	34	30µ"	2.46 (62.48)	3,46	3,28	3,12
571-5102159-9	5102159-9	B	40	15µ"	2.76 (70.10)	3,23	3,18	2,91
571-5102160-9	5102160-9	B	40	30µ"	2.76 (70.10)	4,53	4,41	3,60
571-1-5102159-0	1-5102159-0	B	50	15µ"	3.26 (82.80)	3,81	3,74	3,43
571-1-5102160-0	1-5102160-0	B	50	30µ"	3.26 (82.80)	4,83	4,58	4,35
571-1-5102160-1	1-5102160-1	B	60	30µ"	3.76 (95.50)	6,19	5,24	4,55
571-1-5102160-2	1-5102160-2	B	64	30µ"	3.96 (100.58)	4,57	4,51	4,12

With Short Latches

- Used for receptacles without strain relief

For quantities greater than listed, call for quote.

MOUSER STOCK NO.	TE Part No.	Fig.	No. of Pos.	Contact Gold Plating	Dim. A In. (mm)	Price Each		
						1	10	100
571-5499913-1	5499913-1	B	10	15µ"	1.26 (32.00)	0,99	0,94	0,89
571-5499345-1	5499345-1	B	10	30µ"	1.26 (32.00)	3,05	2,73	2,17
571-5499913-2	5499913-2	B	14	15µ"	1.46 (37.08)	2,78	2,45	2,00
571-5499913-3	5499913-3	B	16	15µ"	1.56 (39.62)	2,43	2,12	1,90
571-5499913-4	5499913-4	B	20	15µ"	1.76 (44.70)	4,33	3,88	3,09
571-5499913-5	5499913-5	B	24	15µ"	1.96 (49.78)	5,25	4,73	3,76
571-5499345-5	5499345-5	B	24	30µ"	1.96 (49.78)	4,80	4,12	3,79
571-5499913-6	5499913-6	B	26	15µ"	2.06 (52.32)	4,89	4,39	3,49
571-5499913-7	5499913-7	B	30	15µ"	2.26 (57.40)	7,18	6,45	5,12
571-5499913-8	5499913-8	B	34	15µ"	2.46 (62.48)	4,83	4,63	4,35
571-5499913-9	5499913-9	B	40	15µ"	2.76 (70.10)	3,17	2,62	2,43
571-1-5499345-0	1-5499345-0	B	50	30µ"	3.26 (82.80)	6,96	6,39	5,90

With Long Latches

- Used for receptacles with strain relief

For quantities greater than listed, call for quote.

MOUSER STOCK NO.	TE Part No.	Fig.	No. of Pos.	Contact Gold Plating	Dim. A In. (mm)	Price Each		
						1	10	100
571-5499786-1	5499786-1	B	10	15µ"	1.26 (32.00)	1,01	0,96	0,915
571-5499141-1	5499141-1	B	10	30µ"	1.26 (32.00)	1,01	1,00	0,953
571-5499786-2	5499786-2	B	14	15µ"	1.46 (37.08)	2,55	2,25	1,98
571-5499141-2	5499141-2	B	14	30µ"	1.46 (37.08)	2,89	2,62	2,17
571-5499141-3	5499141-3	B	16	30µ"	1.56 (39.62)	3,37	2,68	2,40
571-5499786-4	5499786-4	B	20	15µ"	1.76 (44.70)	3,46	3,16	2,95
571-5499141-4	5499141-4	B	20	30µ"	1.76 (44.70)	4,67	4,02	3,56
571-5499786-5	5499786-5	B	24	15µ"	1.96 (49.78)	4,36	3,96	3,43
571-5499786-6	5499786-6	B	26	15µ"	2.06 (52.32)	4,01	3,61	3,40
571-5499141-6	5499141-6	B	26	30µ"	2.06 (52.32)	3,99	3,60	3,29
571-5499786-8	5499786-8	B	34	15µ"	2.46 (62.48)	6,07	5,47	4,35
571-5499141-8	5499141-8	B	34	30µ"	2.46 (62.48)	4,46	4,08	3,73
571-5499786-9	5499786-9	B	40	15µ"	2.76 (70.10)	6,76	6,58	5,38
571-5499141-9	5499141-9	B	40	30µ"	2.76 (70.10)	5,70	5,32	4,80
571-1-5499786-0	1-5499786-0	B	50	15µ"	3.26 (82.80)	7,57	6,87	6,08
571-1-5499141-0	1-5499141-0	B	50	30µ"	3.26 (82.80)	6,17	6,09	5,28
571-1-5499786-2	1-5499786-2	B	64	15µ"	3.96 (100.58)	10,35	9,31	7,42

EJECTOR LATCHES

2 required per header

For quantities greater than listed, call for quote.

MOUSER STOCK NO.	TE Part No.	Description	Price Each				
			1	10	100	500	1000
571-1023121	102312-1	Short	0,24	0,23	0,221	0,21	0,203
571-1023201	102320-1	Long	0,24	0,23	0,221	0,21	0,198

With Short Latches

- Used for receptacles without strain relief

For quantities greater than listed, call for quote.

MOUSER STOCK NO.	TE Part No.	Fig.	No. of Pos.	Contact Gold Plating	Dim. A In. (mm)	Price Each		
						1	10	100
571-5499910-1	5499910-1	A	10	15µ"	1.26 (32.00)	2,66	2,30	2,03
571-5499160-1	5499160-1	A	10	30µ"	1.26 (32.00)	1,52	1,41	1,24
571-5499910-2	5499910-2	A	14	15µ"	1.46 (37.08)	1,24	1,19	1,09
571-5499910-3	5499910-3	A	16	15µ"	1.56 (39.62)	2,13	1,96	1,80
571-5499160-3	5499160-3	A	16	30µ"	1.56 (39.62)	3,08	2,83	2,57
571-5499910-4	5499910-4	A	20	15µ"	1.76 (44.70)	3,19	2,94	2,70
571-5499910-5	5499910-5	A	24	15µ"	1.96 (49.78)	3,10	2,94	2,79
571-5499910-6	5499910-6	A	26	15µ"	2.06 (52.32)	4,15	3,42	2,94
571-5499910-8	5499910-8	A	34	15µ"	2.46 (62.48)	3,99	3,67	3,38
571-5499160-8	5499160-8	A	34	30µ"	2.46 (62.48)	4,83	4,58	4,35
571-5499910-9	5499910-9	A	40	15µ"	2.76 (70.10)	5,56	5,12	4,71
571-5499160-9	5499160-9	A	40	30µ"	2.76 (70.10)	7,16	5,72	5,11
571-1-5499910-0	1-5499910-0	A	50	15µ"	3.26 (82.80)	5,53	5,09	4,69
571-1-5499160-0	1-5499160-0	A	50	30µ"	3.26 (82.80)	8,62	6,88	6,17

With Long Latches

- Used for receptacles with strain relief

For quantities greater than listed, call for quote.

MOUSER STOCK NO.	TE Part No.	Fig.	No. of Pos.	Contact Gold Plating	Dim. A In. (mm)	Price Each		
						1	10	100
571-5499922-1	5499922-1	A	10	15µ"	1.26 (32.00)	0,95	0,91	0,854
571-5499206-1	5499206-1	A	10	30µ"	1.26 (32.00)	2,66	2,30	2,03
571-5499922-2	5499922-2	A	14	15µ"	1.46 (37.08)	1,85	1,79	1,64
571-5499206-2	5499206-2	A	14	30µ"	1.46 (37.08)	3,20	2,73	2,28
571-5499922-3	5499922-3	A	16	15µ"	1.56 (39.62)	1,86	1,74	1,44
571-5499206-3	5499206-3	A	16	30µ"	1.56 (39.62)	3,08	2,83	2,57
571-5499922-4	5499922-4	A	20	15µ"	1.76 (44.70)	3,38	3,03	2,41
571-5499206-4	5499206-4	A	20	30µ"	1.76 (44.70)	3,46	3,16	2,95
571-5499922-5	5499922-5	A	24	15µ"	1.96 (49.78)	3,10	2,94	2,79
571-5499206-5	5499206-5	A	24	30µ"	1.96 (49.78)	5,34	4,80	3,82
571-5499922-6	5499922-6	A	26	15µ"	2.06 (52.32)	3,75	3,46	2,76
571-5499206-6	5499206-6	A	26	30µ"	2.06 (52.32)	5,67	5,09	4,05
571-5499922-8	5499922-8	A	34	15µ"	2.46 (62.48)	5,30	4,76	3,78
571-5499206-8	5499206-8	A	34	30µ"	2.46 (62.48)	4,21	3,71	3,70
571-5499922-9	5499922-9	A	40	15µ"	2.76 (70.10)	5,51		

TE Interconnection System

RoHS Compliant This product is RoHS compliant.

TE LATCHING HEADERS RIGHT ANGLE POST - SHROUDED

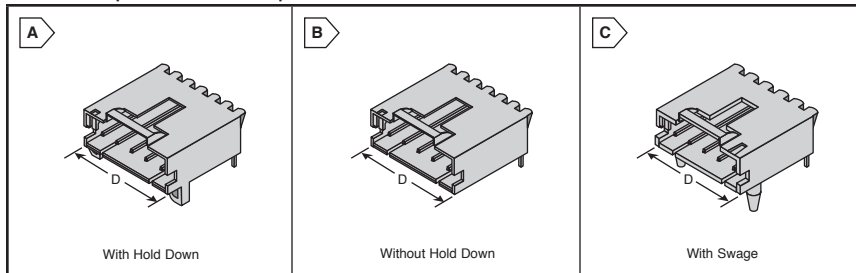
(.100" 2.54mm centers)

Material and Finish:

- Housing: Black thermoplastic, UL94V-0 rated
- .025" (0.64) Square Right-Angle Post
- Posts: Copper alloy, plated as follows:

Plating Code:

- A: Duplex plated .00030 (0.00076) gold on contact area, .000100 (0.00254) min. tin on solder area, with entire post underplated .000050 (0.00127) nickel.
- B: Duplex plated .00015 (0.00038) gold on contact area, .000100 (0.00254) min. tin on solder area, with entire post underplated .000050 (0.00127) nickel.
- C: .000100 (0.00254) tin over .000050 (0.00127) nickel on entire post



Mates with Polarized/Latching Receptacle Assemblies.

Single Row with Hold Down

RoHS Compliant

For quantities greater than listed, call for quote.

MOUSER STOCK NO.	TE Part No.	Fig.	Number of Positions	Plating	Dimension (D) In. (mm)	Price Each			
						1	25	50	100
571-5-103904-1	5-103904-1	A	2	A	.300 (7.62)	0,79	0,696	0,629	0,567
571-5-103673-1	5-103673-1	A	2	B	.300 (7.62)	0,62	0,58	0,559	0,531
571-5-103672-1	5-103672-1	A	2	C	.300 (7.62)	0,69	0,628	0,576	0,543
571-5-103904-2	5-103904-2	A	3	A	.400 (10.16)	1,24	1,09	0,984	0,881
571-5-103673-2	5-103673-2	A	3	B	.400 (10.16)	0,71	0,66	0,646	0,613
571-5-103672-2	5-103672-2	A	3	C	.400 (10.16)	1,09	0,98	0,872	0,781
571-5-103904-3	5-103904-3	A	4	A	.500 (12.70)	1,22	1,07	1,05	0,956
571-5-103673-3	5-103673-3	A	4	B	.500 (12.70)	0,66	0,62	0,595	0,565
571-5-103672-3	5-103672-3	A	4	C	.500 (12.70)	1,04	0,94	0,835	0,748
571-5-103904-4	5-103904-4	A	5	A	.600 (15.24)	0,90	0,88	0,861	0,841
571-5-103673-4	5-103673-4	A	5	B	.600 (15.24)	0,84	0,79	0,758	0,72
571-5-103672-4	5-103672-4	A	5	C	.600 (15.24)	0,87	0,767	0,671	0,596
571-5-103904-5	5-103904-5	A	6	A	.700 (17.78)	1,76	1,57	1,40	1,25
571-5-103673-5	5-103673-5	A	6	B	.700 (17.78)	0,79	0,75	0,712	0,677
571-5-103672-5	5-103672-5	A	6	C	.700 (17.78)	0,90	0,808	0,72	0,642
571-5-103904-6	5-103904-6	A	7	A	.800 (20.32)	1,68	1,61	1,46	1,30
571-5-103673-6	5-103673-6	A	7	B	.800 (20.32)	0,98	0,93	0,88	0,84
571-5-103672-6	5-103672-6	A	7	C	.800 (20.32)	0,90	0,808	0,727	0,649
571-5-103904-7	5-103904-7	A	8	A	.900 (22.86)	1,96	1,76	1,57	1,41
571-5-103673-7	5-103673-7	A	8	B	.900 (22.86)	0,94	0,89	0,848	0,805
571-5-103672-7	5-103672-7	A	8	C	.900 (22.86)	1,93	1,73	1,54	1,38
571-5-103904-9	5-103904-9	A	10	A	1.10 (27.94)	1,96	1,90	1,68	1,60
571-5-103673-9	5-103673-9	A	10	B	1.10 (27.94)	1,04	0,98	0,938	0,891
571-5-103672-9	5-103672-9	A	10	C	1.10 (27.94)	2,05	1,84	1,64	1,47
571-6-103904-1	6-103904-1	A	12	A	1.30 (33.02)	3,52	3,17	2,80	2,55
571-6-103673-1	6-103673-1	A	12	B	1.30 (33.02)	1,41	1,33	1,27	1,20
571-6-103672-1	6-103672-1	A	12	C	1.30 (33.02)	1,78	1,59	1,41	1,30

Single Row without Hold Down

For quantities greater than listed, call for quote.

MOUSER STOCK NO.	TE Part No.	Fig.	Number of Positions	Plating	Dimension (D) In. (mm)	Price Each			
						1	25	50	100
571-5-104935-5	5-104935-5	B	2	A	.300 (7.62)	0,97	0,871	0,834	0,786
571-5-103635-1	5-103635-1	B	2	B	.300 (7.62)	0,80	0,691	0,612	0,571
571-5-103634-1	5-103634-1	B	2	C	.300 (7.62)	0,67	0,595	0,534	0,47
571-5-104935-3	5-104935-3	B	3	A	.400 (10.16)	1,11	1,00	0,90	0,789
571-5-103635-2	5-103635-2	B	3	B	.400 (10.16)	1,24	1,12	0,98	0,931
571-5-103634-2	5-103634-2	B	3	C	.400 (10.16)	1,05	0,925	0,827	0,734
571-5-104935-1	5-104935-1	B	4	A	.500 (12.70)	1,48	1,32	1,17	1,11
571-5-103635-3	5-103635-3	B	4	B	.500 (12.70)	1,01	0,872	0,799	0,746
571-5-103634-3	5-103634-3	B	4	C	.500 (12.70)	1,18	1,05	0,936	0,843
571-5-104935-6	5-104935-6	B	5	A	.600 (15.24)	0,90	0,88	0,861	0,841
571-5-103635-4	5-103635-4	B	5	B	.600 (15.24)	0,76	0,72	0,685	0,651
571-5-103634-4	5-103634-4	B	5	C	.600 (15.24)	1,11	0,99	0,915	0,804
571-5-104935-7	5-104935-7	B	6	A	.700 (17.78)	0,99	0,97	0,951	0,929
571-5-103635-5	5-103635-5	B	6	B	.700 (17.78)	1,50	1,39	1,20	1,14
571-5-103634-5	5-103634-5	B	6	C	.700 (17.78)	1,45	1,37	1,23	1,10
571-5-104935-8	5-104935-8	B	7	A	.800 (20.32)	1,88	1,69	1,50	1,34
571-5-103635-6	5-103635-6	B	7	B	.800 (20.32)	1,27	1,10	0,978	0,937
571-5-103634-6	5-103634-6	B	7	C	.800 (20.32)	1,44	1,28	1,14	1,04
571-5-104935-2	5-104935-2	B	8	A	.900 (22.86)	1,60	1,43	1,27	1,19
571-5-103635-7	5-103635-7	B	8	B	.900 (22.86)	1,74	1,56	1,39	1,24
571-5-103634-7	5-103634-7	B	8	C	.900 (22.86)	1,33	1,20	1,07	0,976
571-6-104935-0	6-104935-0	B	10	A	1.10 (27.94)	1,34	1,32	1,28	1,25
571-5-103635-9	5-103635-9	B	10	B	1.10 (27.94)	1,18	1,12	1,06	1,01
571-5-103634-9	5-103634-9	B	10	C	1.10 (27.94)	1,51	1,36	1,21	1,09
571-5-104935-4	5-104935-4	B	12	A	1.30 (33.02)	2,09	1,88	1,65	1,59
571-6-103635-1	6-103635-1	B	12	B	1.30 (33.02)	2,33	2,09	1,86	1,65
571-6-103634-1	6-103634-1	B	12	C	1.30 (33.02)	2,11	1,90	1,69	1,50

High-Temperature with Swage

For quantities greater than listed, call for quote.

MOUSER STOCK NO.	TE Part No.	Fig.	Number of Positions	Plating	Dimension (D) In. (mm)	Price Each			
						1	25	50	100
571-5-104361-1	5-104361-1	C	2	B	.300 (7.62)	1,02	0,946	0,863	0,801
571-5-104361-2	5-104361-2	C	3	B	.400 (10.16)	0,95	0,841	0,747	0,70
571-5-104361-3	5-104361-3	C	4	B	.500 (12.70)	1,14	1,01	0,91	0,814
571-5-104361-4	5-104361-4	C	5	B	.600 (15.24)	1,56	1,39	1,24	1,11
571-5-104361-5	5-104361-5	C	6	B	.700 (17.78)	1,70	1,50	1,35	1,20
571-5-104361-6	5-104361-6	C	7	B	.800 (20.32)	1,63	1,54	1,40	1,31
571-5-104361-7	5-104361-7	C	8	B	.900 (22.86)	1,95	1,74	1,54	1,38
571-5-104361-8	5-104361-8	C	9	B	1.00 (25.40)	1,71	1,53	1,48	1,40
571-5-104361-9	5-104361-9	C	10	B	1.10 (27.94)	2,23	2,00	1,77	1,60
571-6-104361-1	6-104361-1	C	12	B	1.30 (33.02)	1,95	1,75	1,55	1,43

TE Interconnection System

RoHS Compliant This product is RoHS compliant.

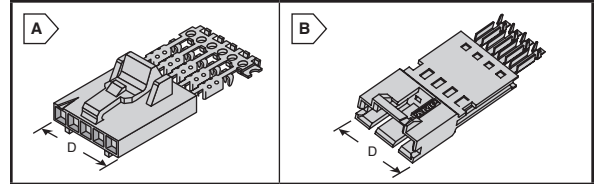
Material and Finish:

- .100" 2.54mm centerlines
- Housing: Black thermoplastic, UL94V-0 rated
- Contacts: Phosphor Bronze, plated as follows:

Plating Code:

- A: Duplex plated .000030 (0.00076) gold on contact area .000050 (0.00127) min. tin in crimp area, with entire contact underplated .000050 (0.00127) nickel.
 B: Duplex plated .000015 (0.00038) gold on contact area .000050 (0.00127) min. tin in crimp area, with entire contact underplated .000050 (0.00127) nickel.
 C: .000100 (0.00254) bright tin over .000050 (0.00127) nickel on entire contact.

Insulation displacement contacts accept an insulation diameter of .030 (0.76) min. to .054 (1.37) max. with an insulation wall thickness of .015 (0.38) max. Mating post length for preloaded housings is .200 (5.08) min., .250 (6.35) max.



MTE RECEPTACLE ASSEMBLIES - STRIP FORM, POLARIZED/LATCHING, SINGLE-ROW, 26-22 AWG WIRE

* Mates with Polarized/Latching Headers as well as Polarized/Latching Pin Assemblies.

For quantities greater than listed, call for quote.

MOUSER STOCK NO.	TE Part No.	Fig.	No. of Positions	Housing Qty. Per Strip Segment	Plating	Dimension In. (mm)	Price Each			
							1	25	50	100
571-5-103958-1	5-103958-1	A	2	10	A	.198 (5.03)	0,97	0,874	0,72	0,622
571-5-103957-1	5-103957-1	A	2	10	B	.198 (5.03)	0,48	0,45	0,433	0,411
571-5-103956-1	5-103956-1	A	2	10	C	.198 (5.03)	0,78	0,703	0,617	0,617
571-1042571	104257-1	A	2	10	Unloaded Housings	.198 (5.03)	0,39	0,37	0,359	0,288
571-5-103958-2	5-103958-2	A	3	8	A	.298 (7.57)	1,14	1,02	0,846	0,732
571-5-103957-2	5-103957-2	A	3	8	B	.298 (7.57)	0,54	0,51	0,487	0,462
571-5-103956-2	5-103956-2	A	3	8	C	.298 (7.57)	0,53	0,50	0,478	0,454
571-104257-2	104257-2	A	3	8	Unloaded Housings	.298 (7.57)	0,39	0,37	0,359	0,341
571-5-103958-3	5-103958-3	A	4	5	A	.398 (10.11)	1,38	1,25	1,02	0,886
571-5-103957-3	5-103957-3	A	4	5	B	.398 (10.11)	0,60	0,57	0,553	0,524
571-5-103956-3	5-103956-3	A	4	5	C	.398 (10.11)	0,68	0,64	0,609	0,579
571-104257-3	104257-3	A	4	5	Unloaded Housings	.398 (10.11)	0,35	0,33	0,315	0,30
571-5-103958-4	5-103958-4	A	5	4	A	.498 (12.65)	1,69	1,51	1,25	1,08
571-5-103957-4	5-103957-4	A	5	4	B	.498 (12.65)	1,37	1,23	1,02	0,883
571-5-103956-4	5-103956-4	A	5	4	C	.498 (12.65)	1,33	1,19	0,991	0,854
571-104257-4	104257-4	A	5	4	Unloaded Housings	.498 (12.65)	0,37	0,35	0,333	0,317
571-5-103958-5	5-103958-5	A	6	4	A	.598 (15.19)	2,00	1,80	1,48	1,29
571-5t-103957-5	5-103957-5	A	6	4	B	.598 (15.19)	1,58	1,42	1,17	1,01
571-5-103956-5	5-103956-5	A	6	4	C	.598 (15.19)	1,21	1,08	0,895	0,776
571-104257-5	104257-5	A	6	4	Unloaded Housings	.598 (15.19)	0,51	0,48	0,46	0,437
571-5-103958-6	5-103958-6	A	7	2	A	.698 (17.73)	2,66	2,41	1,98	1,71
571-5-103957-6	5-103957-6	A	7	2	B	.698 (17.73)	2,00	1,79	1,48	1,28
571-5-103956-6	5-103956-6	A	7	2	C	.698 (17.73)	1,81	1,63	1,34	1,16
571-104257-6	104257-6	A	7	2	Unloaded Housings	.698 (17.73)	0,48	0,45	0,433	0,411
571-5-103958-7	5-103958-7	A	8	2	A	.798 (20.27)	2,58	2,32	1,91	1,65
571-5-103957-7	5-103957-7	A	8	2	B	.798 (20.27)	1,89	1,70	1,40	1,21
571-5-103956-7	5-103956-7	A	8	2	C	.798 (20.27)	2,00	1,80	1,49	1,29
571-104257-7	104257-7	A	8	2	Unloaded Housings	.798 (20.27)	0,50	0,47	0,451	0,428
571-5-103958-8	5-103958-8	A	9	2	A	.898 (22.81)	2,79	2,52	2,07	1,79
571-5-103957-8	5-103957-8	A	9	2	B	.898 (22.81)	2,34	2,11	1,74	1,50
571-5-103956-8	5-103956-8	A	9	2	C	.898 (22.81)	2,15	1,93	1,60	1,37
571-104257-8	104257-8	A	9	2	Unloaded Housings	.898 (22.81)	0,70	0,634	0,523	0,491
571-5-103958-9	5-103958-9	A	10	2	A	.998 (23.35)	2,70	2,43	2,00	1,73
571-5-103957-9	5-103957-9	A	10	2	B	.998 (23.35)	2,59	2,33	1,92	1,65
571-5-103956-9	5-103956-9	A	10	2	C	.998 (23.35)	2,33	2,10	1,73	1,49
571-104257-9	104257-9	A	10	2	Unloaded Housings	.998 (23.35)	0,91	0,87	0,847	0,803

MTE PIN ASSEMBLIES, SHROUDED, STRIP FORM, POLARIZED/LATCHING, SINGLE-ROW, 26-22 AWG WIRE

* Mates with polarized/latching receptacle assemblies

For quantities greater than listed, call for quote.


MOUSER STOCK NO.	TE Part No.	Fig.	No. of Positions	Housing Qty. Per Strip Segment	Plating	Dimension In. (mm)	Price Each			
							1	25	50	100
571-5-103946-1	5-103946-1	B	2	8	A	.295 (7.49)	1,35	1,22	1,01	0,871
571-5-103945-1	5-103945-1	B	2	8	B	.295 (7.49)	0,88	0,83	0,794	0,754
571-5-103944-1	5-103944-1	B	2	8	C	.295 (7.49)	1,29	1,15	0,95	0,822
571-1036531	103653-1	B	2	8	Unloaded Housings	.295 (7.49)	0,51	0,48	0,46	0,437
571-5-103946-2	5-103946-2	B	3	5	A	.395 (10.03)	1,72	1,56	1,28	1,10
571-5-103945-2	5-103945-2	B	3	5	B	.395 (10.03)	0,98	0,93	0,884	0,84
571-5-103944-2	5-103944-2	B	3	5	C	.395 (10.03)	1,34	1,19	0,992	0,856
571-1036532	103653-2	B	3	5	Unloaded Housings	.395 (10.03)	0,54	0,51	0,487	0,462
571-5-103946-3	5-103946-3	B	4	4	A	.495 (12.57)	1,65	1,47	1,21	1,05
571-5-103945-3	5-103945-3	B	4	4	B	.495 (12.57)	1,60	1,43	1,18	1,02
571-5-103944-3	5-103944-3	B	4	4	C	.495 (12.57)	1,50	1,35	1,11	0,961
571-1036533	103653-3	B	4	4	Unloaded Housings	.495 (12.57)	0,59	0,56	0,532	0,505
571-5-103946-4	5-103946-4	B	5	4	A	.595 (15.11)	1,76	1,59	1,31	1,13
571-5-103945-4	5-103945-4	B	5	4	B	.595 (15.11)	1,65	1,48	1,22	1,06
571-5-103944-4	5-103944-4	B	5	4	C	.595 (15.11)	1,50	1,36	1,12	0,97
571-103653-4	103653-4	B	5	4	Unloaded Housings	.595 (15.11)	0,55	0,52	0,496	0,471
571-5-103946-5	5-103946-5	B	6	2	A	.695 (17.65)	1,94	1,75	1,44	1,25
571-5-103945-5	5-103945-5	B	6	2	B	.695 (17.65)	1,80	1,63	1,34	1,15
571-5-103944-5	5-103944-5	B	6	2	C	.695 (17.65)	1,66	1,50	1,23	1,07
571-1036535	103653-5	B	6	2	Unloaded Housings	.695 (17.65)	0,53	0,50	0,478	0,454
571-5-103946-6	5-103946-6	B	7	3	A	.795 (20.19)	3,25	2,93	2,41	2,08
571-5-103945-6	5-103945-6	B	7	3	B	.795 (20.19)	1,98	1,78	1,66	1,46
571-5-103944-6	5-103944-6	B	7	3	C	.795 (20.19)	2,74	2,46	2,03	1,75
571-1036536	103653-6	B	7	3	Unloaded Housings	.795 (20.19)	1,17	1,06	0,878	0,761
571-5-103946-7	5-103946-7	B	8	2	A	.895 (22.73)	3,49	3,16	2,60	2,25
571-5-103945-7	5-103945-7	B	8	2	B	.895 (22.73)	3,38	3,04	2,51	2,16
571-5-103944-7	5-103944-7	B	8	2	C	.895 (22.73)	2,93	2,65	2,18	1,88
571-1036537	103653-7	B	8	2	Unloaded Housings	.895 (22.73)	0,99	0,94	0,893	0,848
571-5-103946-8	5-103946-8	B	9	2	A	.995 (25.27)	3,61	3,27	2,69	2,32
571-5-103945-8	5-103945-8	B	9	2	B	.995 (25.27)	3,55	3,21	2,64	2,28
571-5-103944-8	5-103944-8	B	9	2	C	.995 (25.27)	2,99	2,70	2,22	1,92
571-1036538	103653-8	B	9	2	Unloaded Housings	.995 (25.27)	1,27	1,14	0,951	0,819
571-5-103946-9	5-103946-9	B	10	2	A	1.095 (27.81)	3,90	3,53	2,91	2,51
571-5-103945-9	5-103945-9	B	10	2	B	1.095 (27.81)	2,12	1,92	1,83	1,75
571-5-103944-9	5-103944-9	B	10	2	C	1.095 (27.81)	3,22	2,91	2,39	2,06
571-1036539	103653-9	B	10	2	Unloaded Housings	1.095 (27.81)	2,56	2,20	2,13	2,10

TOOLS

For quantities greater than listed, call for quote.

MOUSER STOCK NO.	TE Part No.	Description	Price Each
571-8434771	843477-1	Extraction Tool	30,64
571-580741	58074-1	Manual handle without head	72,61
571-583361	58336-1	Head, IDC	1777,34

TE Interconnection System

 This product is RoHS compliant.

INTERCHANGEABLE CONTACTS, WIRE CRIMP (SNAP-IN)

To be used with MTE Unloaded Housings.

Plating Code:

- A: Duplex plated .000030 (0.00076) gold on contact area. .000100 (0.00254) min. tin on solder area, with entire post underplated .000050 (0.00127) nickel.
- B: Duplex plated .000015 (0.00038) gold on contact area. .000100 (0.00254) min. tin on solder area, with entire post underplated .000050 (0.00127) nickel.
- C: .000100 (0.00254) tin over .000050 (0.00127) nickel on entire post



Short Point Receptacles

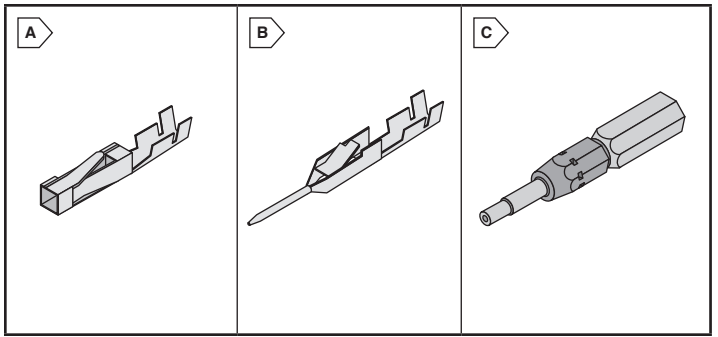
For quantities greater than listed, call for quote.

MOUSER STOCK NO.	TE Part No.	Fig.	Plating	Wire Size AWG	Insulation Diameter Range (in.)	Price Each			
						1	100	500	1000
571-1-104481-3	1-104481-3	A	A	32-28	.025-.060	0,16	0,105	0,10	0,094
571-1-104481-2	1-104481-2	A	B	32-28	.025-.060	0,19	0,126	0,124	0,113
571-5-104481-6	5-104481-6	A	C	32-28	.025-.060	0,16	0,101	0,094	0,086
571-1-104480-6	1-104480-6	A	A	26-22	.025-.060	0,14	0,13	0,12	0,11
571-1-104480-5	1-104480-5	A	B	26-22	.025-.060	0,09	0,08	0,078	0,074
571-1-104480-4	1-104480-4	A	C	26-22	.025-.060	0,09	0,08	0,075	0,072

Pins

For quantities greater than listed, call for quote.

MOUSER STOCK NO.	TE Part No.	Fig.	Plating	Wire Size AWG	Insulation Diameter Range (in.)	Price Each			
						1	100	500	1000
571-5-104506-7	5-104506-7	B	A	32-28	.025-.054	0,73	0,544	0,491	0,46
571-5-104506-1	5-104506-5	B	B	32-28	.025-.054	0,40	0,361	0,343	0,334
571-5-104505-7	5-104505-7	B	A	26-22	.036-.054	0,37	0,34	0,324	0,315
571-5-104505-5	5-104505-5	B	B	26-22	.036-.054	0,40	0,36	0,343	0,317
571-5-104505-3	5-104505-3	B	C	26-22	.036-.054	0,18	0,167	0,159	0,159



TOOLS FOR MTE CONNECTORS

For quantities greater than listed, call for quote.

MOUSER STOCK NO.	TE Part No.	Fig.	Description	Wire Size AWG	Price Each
571-915311	91531-1	-	Hand tool for pins	26-22	775,19
571-914171	91417-1	C	Keying tool	-	1024,67
571-8434771	843477-1	-	Extraction tool	-	30,64
571-91518-1	91518-1	-	Hand Tool for Short Point Receptacles	-	624,66

MTE LATCHING HEADERS SQUARE STRAIGHT POST - SHROUDED

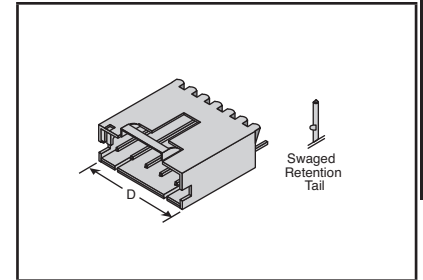
Material and Finish:

- .100" 2.54mm Centers
- Housing: Black thermoplastic, UL94V-0 rated
- .025" (0.64) Square Straight Post

Plating Code:

- Posts: Copper alloy, plated as follows:
 - A: Duplex plated .000030 (0.00076) gold on contact area. .000100 (0.00254) min. tin on solder area, with entire post underplated .000050 (0.00127) nickel.
 - B: Duplex plated .000015 (0.00038) gold on contact area. .000100 (0.00254) min. tin on solder area, with entire post underplated .000050 (0.00127) nickel.
 - C: .000100 (0.00254) tin over .000050 (0.00127) nickel on entire post

Mates with Polarized/Latching Receptacle Assemblies.



Shrouded Polarized/Latching, Single-Row

For quantities greater than listed, call for quote.

MOUSER STOCK NO.	TE Part No.	No. of Pos.	Plating	Dimension (in.) mm	Price Each			
					1	25	50	100
With Swage								
571-5-103908-1	5-103908-1	2	A	.300 (7.62)	0,64	0,60	0,577	0,548
571-5-104362-1	5-104362-1	2	B	.300 (7.62)	0,58	0,55	0,52	0,497
571-5-103669-1	5-103669-1	2	C	.300 (7.62)	0,61	0,546	0,496	0,444
571-5-103908-2	5-103908-2	3	A	.400 (10.16)	1,16	1,03	0,998	0,954
571-5-104362-2	5-104362-2	3	B	.400 (10.16)	0,77	0,73	0,694	0,66
571-5-103669-2	5-103669-2	3	C	.400 (10.16)	1,03	0,914	0,821	0,734
571-5-103908-3	5-103908-3	4	A	.500 (12.70)	0,82	0,77	0,74	0,703
571-5-104362-3	5-104362-3	4	B	.500 (12.70)	1,43	1,28	1,14	1,02
571-5-103669-3	5-103669-3	4	C	.500 (12.70)	1,13	1,01	0,904	0,81
571-5-103908-4	5-103908-4	5	A	.600 (15.24)	1,29	1,14	1,12	1,04
571-5-104362-4	5-104362-4	5	B	.600 (15.24)	1,06	1,02	0,971	0,96
571-5-103669-4	5-103669-4	5	C	.600 (15.24)	1,22	1,09	0,974	0,872
571-5-103908-5	5-103908-5	6	A	.700 (17.78)	1,55	1,43	1,32	1,18
571-5-104362-5	5-104362-5	6	B	.700 (17.78)	1,12	1,06	1,01	0,96
571-5-103669-5	5-103669-5	6	C	.700 (17.78)	1,38	1,21	1,09	0,981
571-5-103908-6	5-103908-6	7	A	.800 (20.32)	1,81	1,61	1,43	1,29
571-5-104362-6	5-104362-6	7	B	.800 (20.32)	1,56	1,42	1,32	1,26
571-5-103669-6	5-103669-6	7	C	.800 (20.32)	1,40	1,24	1,11	1,00
571-5-103908-7	5-103908-7	8	A	.900 (22.86)	1,11	1,07	1,05	1,04
571-5-104362-7	5-104362-7	8	B	.900 (22.86)	1,15	1,09	1,03	0,985
571-5-103669-7	5-103669-7	8	C	.900 (22.86)	1,49	1,32	1,17	1,06
571-5-103908-8	5-103908-8	9	A	1.00 (25.40)	2,12	1,90	1,68	1,51
571-5-104362-8	5-104362-8	9	B	1.00 (25.40)	1,24	1,17	1,11	1,06
571-5-103669-8	5-103669-8	9	C	1.00 (25.40)	1,58	1,41	1,26	1,13
571-5-103908-9	5-103908-9	10	A	1.10 (27.94)	2,24	2,01	1,78	1,60
571-5-104362-9	5-104362-9	10	B	1.10 (27.94)	1,72	1,52	1,43	1,32
571-5-103669-9	5-103669-9	10	C	1.10 (27.94)	1,67	1,49	1,33	1,19
571-6-103908-1	6-103908-1	12	A	1.30 (33.02)	2,66	2,37	2,11	1,88
571-6-104362-1	6-104362-1	12	B	1.30 (33.02)	2,53	2,25	2,01	1,80
571-6-103669-1	6-103669-1	12	C	1.30 (33.02)	1,92	1,72	1,52	1,36
571-6-103908-3	6-103908-3	14	A	1.50 (38.10)	2,96	2,64	2,35	2,11
571-6-104909-3	6-104909-3	14	B	1.50 (38.10)	2,86	2,57	2,27	2,08
571-6-103669-3	6-103669-3	14	C	1.50 (38.10)	1,87	1,69	1,49	1,33

For quantities greater than listed, call for quote.

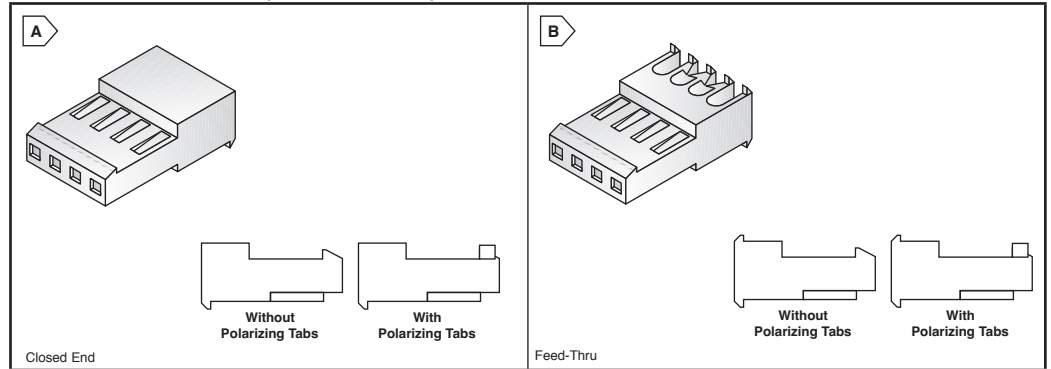
MOUSER STOCK NO.	TE Part No.	No. of Pos.	Plating	Dimension (in.) mm	Price Each			
					1	25	50	100
Without Swage								
571-5-103735-1	5-103735-1	2	A	.300 (7.62)	0,74	0,665	0,595	0,533
571-5-104363-1	5-104363-1	2	B	.300 (7.62)	0,60	0,57	0,541	0,514
571-5-103639-1	5-103639-1	2	C	.300 (7.62)	0,65	0,58	0,53	0,468
571-5-103735-2	5-103735-2	3	A	.400 (10.16)	1,22	1,08	0,964	0,863
571-5-104363-2	5-104363-2	3	B	.400 (10.16)	1,64	1,38	1,32	1,26
571-5-103639-2	5-103639-2	3	C	.400 (10.16)	1,04	0,918	0,824	0,738
571-5-103735-3	5-103735-3	4	A	.500 (12.70)	0,82	0,77	0,74	0,703
571-5-104363-3	5-104363-3	4	B	.500 (12.70)	0,75	0,71	0,67	0,643
571-5-103639-3	5-103639-3	4	C	.500 (12.70)	0,71	0,602	0,557	0,523
571-5-103735-4	5-103735-4	5	A	.600 (15.24)	1,52	1,35	1,21	1,08
571-5-104363-4	5-104363-4	5	B	.600 (15.24)	1,75	1,49	1,42	1,35
571-5-103639-4	5-103639-4	5	C	.600 (15.24)	1,26	1,12	1,00	0,903
571-5-103735-5	5-103735-5	6	A	.700 (17.78)	0,95	0,94	0,91	0,891
571-5-104363-5	5-104363-5	6	B	.700 (17.78)	0,95	0,90	0,85	0,814
571-5-103639-5	5-103639-5	6	C	.700 (17.78)	1,37	1,21	1,08	0,973
571-5-103735-6	5-103735-6	7	A	.800 (20.32)	1,63	1,46	1,30	1,17
571-5-104363-6	5-104363-6	7	B	.800 (20.32)	1,04	0,98	0,93	0,891
571-5-103639-6	5-103639-6	7	C	.800 (20.32)	1,42	1,25	1,11	1,00
571-5-103735-7	5-103735-7	8	A	.900 (22.86)	1,11	1,07	1,05	1,04
571-5-104363-7	5-104363-7	8	B	.900 (22.86)	1,12	1,06	1,01	0,96
571-5-103639-7	5-103639-7	8	C	.900 (22.86)	1,49	1,32	1,19	1,06
571-5-103735-8	5-103735-8	9	A	1.00 (25.40)	1,99	1,85	1,75	1,62
571-5-104363-8	5-104363-8	9	B	1.00 (25.40)	2,00	1,88	1,79	1,70
571-5-103639-8	5-103639-8	9	C	1.00 (25.40)	1,57	1,42	1,26	1,12
571-5-103735-9	5-103735-9	10	A	1.10 (27.94)	1,29	1,27	1,23	1,20
571-5-104363-9	5-104363-9	10	B	1.10 (27.94)	1,18	1,12	1,06	1,01
571-5-103639-9	5-103639-9	10	C	1.10 (27.94)	1,68	1,49	1,33	1,20
571-6-103735-1	6-103735-1	12	A	1.30 (33.02)	2,46	2,22	1,97	1,76
571-6-104363-1	6-104363-1	12	B	1.30 (33.02)	1,43	1,35	1,29	1,22
571-6-103639-1	6-103639-1	12	C	1.30 (33.02)	2,05	1,82	1,62	1,45
571-6-103735-3	6-103735-3	14	A	1.50 (38.10)	3,05	2,73	2,42	2,18
571-6-104910-3	6-104910-3	14	B	1.50 (38.10)	2,84	2,54	2,26	2,02
571-6-103639-3	6-103639-3	14	C	1.50 (38.10)	1,88	1,78	1,61	1,53

TE .100" Series IDC Connectors

TE Authorized Distributor
connectivity

RoHS Compliant This product is RoHS compliant.

- Specifications:**
- Voltage rating: 250VAC
 - Current rating: 4 Amp max.
 - Low-level resistance: 5mΩ max. initial
 - Operating temp.: -55°C to +105°C
 - Dielectric withstanding Voltage: 750VAC/1Min.
 - Insulation resistance: 5000MΩ min. initial
 - Pre-loaded with contacts



CLOSED END STYLE

For quantities greater than listed, call for quote.

MOUSER STOCK NO.	TE Part No.	Fig.	Number of Positions	Wire Size (AWG)	Color	Price Each		
						1	10	100
Closed End without Polarizing Tabs								
571-3-640440-2	3-640440-2	A	2	22	Red	0,16	0,15	0,135
571-3-640440-3	3-640440-3	A	3	22	Red	0,24	0,23	0,217
571-3-640440-4	3-640440-4	A	4	22	Red	0,31	0,29	0,27
571-3-640440-5	3-640440-5	A	5	22	Red	0,38	0,37	0,351
571-3-640440-6	3-640440-6	A	6	22	Red	0,47	0,45	0,44
571-3-640440-7	3-640440-7	A	7	22	Red	0,56	0,53	0,477
571-3-640440-8	3-640440-8	A	8	22	Red	0,64	0,60	0,552
571-3-640440-9	3-640440-9	A	9	22	Red	0,57	0,55	0,53
571-4-640440-0	4-640440-0	A	10	22	Red	2,05	1,85	1,48
571-3-640441-2	3-640441-2	A	2	24	White	0,37	0,35	0,288
571-3-640441-3	3-640441-3	A	3	24	White	0,57	0,48	0,479
571-3-640441-4	3-640441-4	A	4	24	White	0,72	0,63	0,54
571-3-640441-5	3-640441-5	A	5	24	White	0,96	0,74	0,64
571-3-640441-6	3-640441-6	A	6	24	White	1,11	0,94	0,841
571-3-640441-7	3-640441-7	A	7	24	White	1,53	1,43	1,02
571-3-640441-8	3-640441-8	A	8	24	White	1,53	1,33	1,14
571-3-640441-9	3-640441-9	A	9	24	White	0,67	0,63	0,602
571-4-640441-0	4-640441-0	A	10	24	White	2,05	1,85	1,48
571-3-640442-2	3-640442-2	A	2	26	Blue	0,16	0,15	0,141
571-3-640442-3	3-640442-3	A	3	26	Blue	0,27	0,25	0,23
571-3-640442-4	3-640442-4	A	4	26	Blue	0,41	0,35	0,296
571-3-640442-5	3-640442-5	A	5	26	Blue	0,48	0,39	0,351
571-3-640442-6	3-640442-6	A	6	26	Blue	0,59	0,46	0,414
571-3-640442-7	3-640442-7	A	7	26	Blue	0,40	0,354	0,282
571-3-640442-8	3-640442-8	A	8	26	Blue	0,69	0,62	0,552
571-3-640442-9	3-640442-9	A	9	26	Blue	0,67	0,63	0,602
571-4-640442-0	4-640442-0	A	10	26	Blue	2,05	1,85	1,48
571-3-640443-2	3-640443-2	A	2	28	Green	0,16	0,15	0,141
571-3-640443-3	3-640443-3	A	3	28	Green	0,18	0,15	0,13
571-3-640443-4	3-640443-4	A	4	28	Green	0,31	0,29	0,276
571-3-640443-5	3-640443-5	A	5	28	Green	0,48	0,39	0,351
571-3-640443-6	3-640443-6	A	6	28	Green	0,47	0,45	0,44
571-3-640443-7	3-640443-7	A	7	28	Green	0,64	0,54	0,477
571-3-640443-8	3-640443-8	A	8	28	Green	0,64	0,60	0,552
571-4-640443-0	4-640443-0	A	10	28	Green	2,05	1,85	1,48

For quantities greater than listed, call for quote.

MOUSER STOCK NO.	TE Part No.	Fig.	Number of Positions	Wire Size (AWG)	Color	Price Each		
						1	10	100
Closed End with Polarizing Tabs								
571-3-643813-2	3-643813-2	A	2	22	Red	0,11	0,09	0,087
571-3-643813-3	3-643813-3	A	3	22	Red	0,23	0,19	0,17
571-3-643813-4	3-643813-4	A	4	22	Red	0,31	0,29	0,276
571-3-643813-5	3-643813-5	A	5	22	Red	0,48	0,39	0,351
571-3-643813-6	3-643813-6	A	6	22	Red	0,38	0,33	0,31
571-3-643813-7	3-643813-7	A	7	22	Red	0,64	0,54	0,477
571-3-643813-8	3-643813-8	A	8	22	Red	0,64	0,60	0,552
571-3-643813-9	3-643813-9	A	9	22	Red	0,67	0,63	0,602
571-4-643813-0	4-643813-0	A	10	22	Red	2,05	1,85	1,48
571-3-643814-2	3-643814-2	A	2	24	White	0,11	0,09	0,087
571-3-643814-3	3-643814-3	A	3	24	White	0,23	0,19	0,17
571-3-643814-4	3-643814-4	A	4	24	White	0,31	0,29	0,276
571-3-643814-5	3-643814-5	A	5	24	White	0,48	0,39	0,351
571-3-643814-6	3-643814-6	A	6	24	White	0,47	0,45	0,44
571-3-643814-7	3-643814-7	A	7	24	White	0,64	0,54	0,477
571-3-643814-8	3-643814-8	A	8	24	White	0,64	0,60	0,552
571-3-643814-9	3-643814-9	A	9	24	White	0,67	0,63	0,602
571-4-643814-0	4-643814-0	A	10	24	White	2,05	1,85	1,48
571-3-643815-2	3-643815-2	A	2	26	Blue	0,11	0,09	0,087
571-3-643815-3	3-643815-3	A	3	26	Blue	0,23	0,19	0,17
571-3-643815-4	3-643815-4	A	4	26	Blue	0,31	0,29	0,276
571-3-643815-5	3-643815-5	A	5	26	Blue	0,48	0,39	0,351
571-3-643815-6	3-643815-6	A	6	26	Blue	0,47	0,45	0,44
571-3-643815-7	3-643815-7	A	7	26	Blue	0,64	0,54	0,477
571-3-643815-8	3-643815-8	A	8	26	Blue	0,64	0,60	0,552
571-3-643815-9	3-643815-9	A	9	26	Blue	0,67	0,63	0,602
571-4-643815-0	4-643815-0	A	10	26	Blue	2,05	1,85	1,48
571-3-643816-2	3-643816-2	A	2	28	Green	0,11	0,09	0,087
571-3-643816-3	3-643816-3	A	3	28	Green	0,23	0,19	0,17
571-3-643816-4	3-643816-4	A	4	28	Green	0,31	0,29	0,276
571-3-643816-5	3-643816-5	A	5	28	Green	0,48	0,39	0,351
571-3-643816-6	3-643816-6	A	6	28	Green	0,47	0,45	0,44
571-3-643816-7	3-643816-7	A	7	28	Green	0,64	0,54	0,477
571-3-643816-8	3-643816-8	A	8	28	Green	0,64	0,60	0,552
571-4-643816-0	4-643816-0	A	10	28	Green	2,05	1,85	1,48

FEED-THRU STYLE

For quantities greater than listed, call for quote.

MOUSER STOCK NO.	TE Part No.	Fig.	Number of Positions	Wire Size (AWG)	Color	Price Each		
						1	10	100
Feed-Thru without Polarizing Tabs								
571-3-640620-2	3-640620-2	B	2	22	Red	0,19	0,167	0,118
571-3-640620-3	3-640620-3	B	3	22	Red	0,18	0,167	0,125
571-3-640620-4	3-640620-4	B	4	22	Red	0,31	0,29	0,276
571-3-640620-5	3-640620-5	B	5	22	Red	0,48	0,39	0,351
571-3-640620-6	3-640620-6	B	6	22	Red	0,47	0,45	0,44
571-3-640620-7	3-640620-7	B	7	22	Red	0,64	0,54	0,477
571-3-640620-8	3-640620-8	B	8	22	Red	0,64	0,60	0,552
571-3-640620-9	3-640620-9	B	9	22	Red	0,57	0,55	0,53
571-4-640620-0	4-640620-0	B	10	22	Red	2,05	1,85	1,48
571-3-640621-2	3-640621-2	B	2	24	White	0,17	0,136	0,106
571-3-640621-3	3-640621-3	B	3	24	White	0,21	0,188	0,147
571-3-640621-4	3-640621-4	B	4	24	White	0,31	0,29	0,276
571-3-640621-5	3-640621-5	B	5	24	White	0,48	0,39	0,351
571-3-640621-6	3-640621-6	B	6	24	White	0,47	0,45	0,44
571-3-640621-8	3-640621-8	B	8	24	White	0,64	0,60	0,552
571-4-640621-0	4-640621-0	B	10	24	White	2,05	1,85	1,48
571-3-640622-2	3-640622-2	B	2	26	Blue	0,19	0,167	0,119
571-3-640622-3	3-640622-3	B	3	26	Blue	0,24	0,229	0,161
571-3-640622-4	3-640622-4	B	4	26	Blue	0,31	0,29	0,276
571-3-640622-5	3-640622-5	B	5	26	Blue	0,48	0,39	0,351
571-3-640622-6	3-640622-6	B	6	26	Blue	0,47	0,45	0,44

For quantities greater than listed, call for quote.

MOUSER STOCK NO.	TE Part No.	Fig.	Number of Positions	Wire Size (AWG)	Color	Price Each		
						1	10	100
Feed-Thru with Polarizing Tabs								
571-3-644540-2	3-644540-2	B	2	22	Red	0,19	0,18	0,17
571-3-644540-3	3-644540-3	B	3	22	Red	0,21	0,19	0,189
571-3-644540-4	3-644540-4	B	4	22	Red	0,31	0,29	0,276
571-3-644540-5	3-644540-5	B	5	22	Red	0,48	0,39	0,351
571-3-644540-6	3-644540-6	B	6	22	Red	0,47	0,45	0,44
571-3-644540-8	3-644540-8	B	8	22	Red	0,64	0,60	0,552
571-3-644563-2	3-644563-2	B	2	24	White	0,18	0,17	0,166
571-3-644563-3	3-644563-3	B	3	24	White	0,19	0,18	0,178
571-3-644563-4	3-644563-4	B	4	24	White	0,31	0,29	0,276
571-3-644563-5	3-644563-5	B	5	24	White	0,48	0,39	0,351
571-3-644563-6	3-644563-6	B	6	24	White	0,47	0,45	0,44
571-3-644563-8	3-644563-8	B	8	24	White	0,64	0,60	0,552
571-3-644563-9	3-644563-9	B	9	24	White	0,57	0,55	0,53
571-3-644565-4	3-644565-4	B	4	28	Green	0,31	0,29	0,276

TE .100" IDC Headers

RoHS Compliant This product is RoHS compliant.
FRICION LOCK HEADERS

- Posts: Copper alloy, tin plated or gold over nickel
- Housing: UL94V-0 rated, polyester, natural color

For quantities greater than listed, call for quote.

FLAT & NARROW FLAT HEADERS

- Housing: UL94V-0 rated, polyester, natural color
- Posts: Copper alloy, tin plated



Flat For quantities greater than listed, call for quote.

MOUSER STOCK NO.	TE Part No.	Fig.	No. of Pos.	Price Each		
				1	10	100
Straight Post						
571-6404522	640452-2	A	2	0,25	0,20	0,17
571-6404523	640452-3	A	3	0,35	0,249	0,21
571-6404524	640452-4	A	4	0,26	0,24	0,234
571-640452-5	640452-5	A	5	0,47	0,44	0,424
571-6404526	640452-6	A	6	0,55	0,435	0,406
571-6404527	640452-7	A	7	0,47	0,44	0,424
571-6404528	640452-8	A	8	0,81	0,634	0,582
571-16404520	1-640452-0	A	10	1,21	1,15	0,879
571-16404522	1-640452-2	A	12	1,35	1,19	1,15
571-16404524	1-640452-4	A	14	1,16	1,10	1,04
571-16404526	1-640452-6	A	16	2,23	1,99	1,92
Right Angle Post						
571-6404532	640453-2	B	2	0,24	0,186	0,145
571-6404533	640453-3	B	3	0,31	0,25	0,22
571-6404534	640453-4	B	4	0,42	0,323	0,296
571-6404535	640453-5	B	5	0,61	0,57	0,452
571-6404536	640453-6	B	6	0,52	0,49	0,469
571-6404537	640453-7	B	7	0,73	0,572	0,53
571-6404538	640453-8	B	8	0,85	0,676	0,606
571-6404539	640453-9	B	9	1,15	1,04	0,841
571-16404530	1-640453-0	B	10	0,60	0,57	0,541
571-16404532	1-640453-2	B	12	1,16	1,10	1,00
571-16404534	1-640453-4	B	14	1,47	1,31	1,06
571-16404536	1-640453-6	B	16	2,10	1,87	1,52

Narrow Flat For quantities greater than listed, call for quote.

MOUSER STOCK NO.	TE Part No.	Fig.	No. of Pos.	Price Each		
				1	10	100
Straight Post						
571-3-644456-2	3-644456-2	A	2	0,13	0,12	0,119
571-3-644456-3	3-644456-3	A	3	0,17	0,16	0,152
571-3-644456-4	3-644456-4	A	4	0,26	0,24	0,234
571-3-644456-5	3-644456-5	A	5	0,47	0,44	0,424
571-3-644456-6	3-644456-6	A	6	0,40	0,38	0,361
571-3-644456-7	3-644456-7	A	7	0,47	0,44	0,424
571-3-644456-8	3-644456-8	A	8	0,66	0,62	0,595
571-3-644456-9	3-644456-9	A	9	0,60	0,57	0,541
571-4-644456-0	4-644456-0	A	10	0,57	0,472	0,392
571-4-644456-4	4-644456-4	A	14	1,16	1,10	1,04
571-4-644456-6	4-644456-6	A	16	1,05	0,853	0,717
Straight Post with Retentive Leg						
571-3-644695-2	3-644695-2	A	2	0,25	0,187	0,182
571-3-644695-3	3-644695-3	A	3	0,34	0,29	0,243
571-3-644695-4	3-644695-4	A	4	0,46	0,415	0,351
571-3-644695-5	3-644695-5	A	5	0,58	0,529	0,375
571-3-644695-6	3-644695-6	A	6	0,68	0,572	0,479
571-3-644695-8	3-644695-8	A	8	0,88	0,768	0,64
571-3-644695-9	3-644695-9	A	9	1,00	0,872	0,718
Right Angle Post						
571-3-644457-2	3-644457-2	B	2	0,20	0,156	0,146
571-3-644457-3	3-644457-3	B	3	0,19	0,18	0,177
571-3-644457-4	3-644457-4	B	4	0,38	0,302	0,279
571-3-644457-5	3-644457-5	B	5	0,48	0,374	0,356
571-3-644457-6	3-644457-6	B	6	0,52	0,49	0,469
571-3-644457-8	3-644457-8	B	8	0,71	0,67	0,64

SHROUDED HEADERS

- Housing: UL94V-0 rated, polyester, natural color
- Posts: Copper alloy, tin plated

For quantities greater than listed, call for quote.

MOUSER STOCK NO.	TE Part No.	Fig.	No. of Pos.	Price Each		
				1	10	100
Straight Post						
571-2-644486-2	2-644486-2	C	2	0,80	0,76	0,72
571-2-644486-3	2-644486-3	C	3	1,12	1,09	0,96
571-2-644486-4	2-644486-4	C	4	1,25	1,13	0,854
571-2-644486-5	2-644486-5	C	5	0,93	0,738	0,661
571-2-644486-6	2-644486-6	C	6	1,10	1,04	0,992
571-2-644486-7	2-644486-7	C	7	1,28	1,21	1,15
571-2-644486-8	2-644486-8	C	8	0,65	0,61	0,586
571-2-644486-9	2-644486-9	C	9	1,50	1,22	1,08
571-3-644486-0	3-644486-0	C	10	1,45	1,36	1,26
571-3-644486-4	3-644486-4	C	14	3,49	3,31	3,14
Right Angle Post						
571-2-644488-2	2-644488-2	D	2	0,35	0,281	0,253
571-2-644488-3	2-644488-3	D	3	0,53	0,468	0,38
571-2-644488-4	2-644488-4	D	4	0,71	0,572	0,508
571-2-644488-5	2-644488-5	D	5	0,95	0,90	0,857
571-2-644488-7	2-644488-7	D	7	1,09	1,03	0,983

MOUSER STOCK NO.	TE Part No.	Fig.	No. of Pos.	Price Each		
				1	10	100
Straight Post, Tin Plated						
571-6404562	640456-2	E	2	0,23	0,18	0,176
571-6404563	640456-3	E	3	0,38	0,31	0,27
571-6404564	640456-4	E	4	0,50	0,49	0,452
571-6404565	640456-5	E	5	0,65	0,57	0,514
571-6404566	640456-6	E	6	0,85	0,76	0,54
571-6404567	640456-7	E	7	0,82	0,77	0,64
571-6404568	640456-8	E	8	0,96	0,83	0,778
571-6404569	640456-9	E	9	0,52	0,468	0,372
571-16404560	1-640456-0	E	10	0,82	0,75	0,70
571-16404562	1-640456-2	E	12	1,01	0,95	0,72
571-16404564	1-640456-4	E	14	0,77	0,73	0,694
571-16404566	1-640456-6	E	16	1,51	1,43	1,36

MOUSER STOCK NO.	TE Part No.	Fig.	No. of Pos.	Price Each		
				1	10	100
Straight Post, Gold Plated						
571-3-641215-2	3-641215-2	E	2	0,26	0,24	0,23
571-3-641215-3	3-641215-3	E	3	0,45	0,42	0,406
571-3-641215-4	3-641215-4	E	4	1,00	0,95	0,902
571-3-641215-5	3-641215-5	E	5	0,71	0,69	0,661
571-3-641215-6	3-641215-6	E	6	1,54	1,46	1,38
571-3-641215-7	3-641215-7	E	7	1,72	1,63	1,55
571-3-641215-8	3-641215-8	E	8	0,94	0,89	0,848
571-4-641215-0	4-641215-0	E	10	1,34	1,29	1,26
571-4-641215-2	4-641215-2	E	12	2,35	2,23	2,12
571-4-641215-4	4-641215-4	E	14	3,01	2,85	2,71
571-4-641215-6	4-641215-6	E	16	5,77	5,07	4,11

MOUSER STOCK NO.	TE Part No.	Fig.	No. of Pos.	Price Each		
				1	10	100
Right Angle Post, Tin Plated						
571-6404572	640457-2	F	2	0,20	0,19	0,18
571-6404573	640457-3	F	3	0,38	0,31	0,27
571-6404574	640457-4	F	4	0,50	0,49	0,452
571-6404575	640457-5	F	5	0,65	0,57	0,514
571-6404576	640457-6	F	6	0,85	0,76	0,54
571-6404577	640457-7	F	7	0,92	0,87	0,741
571-6404578	640457-8	F	8	1,15	1,02	0,84
571-6404579	640457-9	F	9	0,30	0,25	0,237
571-16404570	1-640457-0	F	10	0,85	0,79	0,60
571-16404572	1-640457-2	F	12	0,93	0,90	0,69
571-16404574	1-640457-4	F	14	0,52	0,458	0,375
571-16404576	1-640457-6	F	16	1,51	1,43	1,36

MOUSER STOCK NO.	TE Part No.	Fig.	No. of Pos.	Price Each		
				1	10	100
Right Angle Post, Gold Plated						
571-3-641216-5	3-641216-5	F	5	1,67	1,58	1,50
571-4-641216-0	4-641216-0	F	10	2,48	2,17	1,76
571-4-641216-2	4-641216-2	F	12	4,53	4,08	3,24
571-4-641216-6	4-641216-6	F	16	6,51	5,84	4,65

POLARIZED HEADERS

- Housing: UL94V-0 rated, polyester, natural color
- Posts: Copper alloy, tin plated or gold over nickel
- No 16 Position in Gold

For quantities greater than listed, call for quote.

MOUSER STOCK NO.	TE Part No.	Fig.	No. of Pos.	Price Each		
				1	10	100
Straight Post, Tin Plated						
571-640454-2	640454-2	E	2	0,20	0,19	0,18
571-6404543	640454-3	E	3	0,38	0,31	0,276
571-6404544	640454-4	E	4	0,50	0,49	0,452
571-6404545	640454-5	E	5	0,65	0,57	0,514
571-6404546	640454-6	E	6	0,85	0,76	0,54
571-640454-7	640454-7	E	7	0,82	0,77	0,64
571-6404548	640454-8	E	8	0,96	0,83	0,778
571-6404549	640454-9	E	9	0,45	0,343	0,319
571-16404540	1-640454-0	E	10	1,30	1,08	1,02
571-16404542	1-640454-2	E	12	0,93	0,90	0,69
571-16404544	1-640454-4	E	14	1,28	1,21	1,15
571-16404546	1-640454-6	E	16	0,94	0,83	0,677

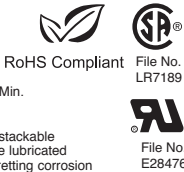
MOUSER STOCK NO.	TE Part No.	Fig.	No. of Pos.	Price Each		
				1	10	100
Straight Post, Gold Plated						
571-3-641213-2	3-641213-2	E	2	0,53	0,50	0,478
571-3-641213-3	3-641213-3	E	3	0,82	0,651	0,587
571-3-641213-4	3-641213-4	E</				

TE .156" Series IDC Connectors



Specifications:

- Voltage rating: 250VAC
- Current rating: 5 Amp max.
- Low-level resistance: 3mΩ max. initial
- Operating temperature: -55°C to +105°C
- Dielectric withstanding Voltage: 1250VAC/1Min.
- Insulation resistance: 5000MΩ min. initial

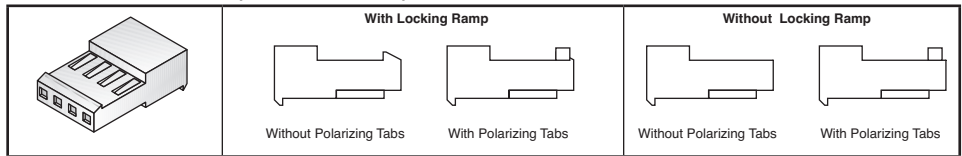


Material and Finish:

- Housing: UL94V-2 rated, type 6/6 and 6/12 nylon
- Contacts: Phosphor bronze, post tin plated

Features:

- End to end stackable
- Contacts are lubricated to prevent fretting corrosion
- .156 Centers
- Pre-loaded with contacts



CLOSED END

For quantities greater than listed, call for quote.

MOUSER STOCK NO.	TE Part No.	No. of Pos.	Wire Size (AWG)	Color	Price Each		
					1	10	100
With Locking Ramp and Without Tabs							
571-3-640426-2	3-640426-2	2	18	Orange	0,37	0,35	0,339
571-3-640426-3	3-640426-3	3	18	Orange	0,32	0,258	0,205
571-3-640426-4	3-640426-4	4	18	Orange	0,42	0,374	0,287
571-3-640426-5	3-640426-5	5	18	Orange	0,75	0,70	0,651
571-3-640426-6	3-640426-6	6	18	Orange	0,85	0,81	0,75
571-3-640426-7	3-640426-7	7	18	Orange	1,00	0,97	0,946
571-3-640426-8	3-640426-8	8	18	Orange	1,04	1,01	0,982
571-3-640426-9	3-640426-9	9	18	Orange	1,30	1,23	1,17
571-4-640426-0	4-640426-0	10	18	Orange	1,44	1,34	1,24
571-3-640427-2	3-640427-2	2	20	Yellow	0,35	0,33	0,301
571-3-640427-3	3-640427-3	3	20	Yellow	0,51	0,48	0,452
571-3-640427-4	3-640427-4	4	20	Yellow	0,64	0,55	0,427
571-3-640427-5	3-640427-5	5	20	Yellow	0,75	0,70	0,651
571-3-640427-6	3-640427-6	6	20	Yellow	0,92	0,82	0,817
571-3-640427-7	3-640427-7	7	20	Yellow	1,00	0,97	0,946
571-3-640427-8	3-640427-8	8	20	Yellow	1,04	1,01	0,982
571-3-640428-2	3-640428-2	2	22	Red	0,37	0,35	0,339
571-3-640428-3	3-640428-3	3	22	Red	0,57	0,54	0,427
571-3-640428-4	3-640428-4	4	22	Red	0,75	0,71	0,602
571-3-640428-5	3-640428-5	5	22	Red	0,96	0,90	0,895
571-3-640428-6	3-640428-6	6	22	Red	1,15	0,95	0,766
571-3-640428-7	3-640428-7	7	22	Red	1,18	1,14	1,11
571-3-640428-8	3-640428-8	8	22	Red	1,50	1,41	1,40
571-4-640428-0	4-640428-0	10	22	Red	1,44	1,34	1,24
571-3-640429-2	3-640429-2	2	24	Natural	0,37	0,35	0,339
571-3-640429-3	3-640429-3	3	24	Natural	0,51	0,48	0,452
571-3-640429-4	3-640429-4	4	24	Natural	0,75	0,67	0,565
571-3-640429-5	3-640429-5	5	24	Natural	0,85	0,78	0,715
571-3-640429-6	3-640429-6	6	24	Natural	1,14	0,95	0,841
571-3-640429-8	3-640429-8	8	24	Natural	1,50	1,41	1,40
571-3-640429-9	3-640429-9	9	24	Natural	1,30	1,23	1,17
With Locking Ramp and Tabs							
571-3-643817-2	3-643817-2	2	18	Orange	0,35	0,33	0,301
571-3-643817-3	3-643817-3	3	18	Orange	0,51	0,48	0,452
571-3-643817-4	3-643817-4	4	18	Orange	0,64	0,55	0,427
571-3-643817-5	3-643817-5	5	18	Orange	0,75	0,70	0,651
571-3-643817-6	3-643817-6	6	18	Orange	1,14	0,95	0,841
571-3-643817-7	3-643817-7	7	18	Orange	1,31	1,24	1,18
571-3-643817-8	3-643817-8	8	18	Orange	1,04	1,01	0,982
571-3-643817-9	3-643817-9	9	18	Orange	1,94	1,84	1,75
571-4-643817-0	4-643817-0	10	18	Orange	1,44	1,34	1,24
571-3-643818-2	3-643818-2	2	20	Yellow	0,35	0,33	0,301
571-3-643818-3	3-643818-3	3	20	Yellow	0,51	0,48	0,452
571-3-643818-4	3-643818-4	4	20	Yellow	0,64	0,55	0,427
571-3-643818-5	3-643818-5	5	20	Yellow	0,75	0,70	0,651
571-3-643818-6	3-643818-6	6	20	Yellow	1,14	0,95	0,841
571-3-643818-7	3-643818-7	7	20	Yellow	0,75	0,71	0,676
571-3-643818-8	3-643818-8	8	20	Yellow	1,04	1,01	0,982
571-3-643819-2	3-643819-2	2	22	Red	0,35	0,33	0,301
571-3-643819-3	3-643819-3	3	22	Red	0,51	0,48	0,452
571-3-643819-4	3-643819-4	4	22	Red	0,64	0,55	0,427
571-3-643819-5	3-643819-5	5	22	Red	0,85	0,78	0,715
571-3-643819-6	3-643819-6	6	22	Red	1,14	0,95	0,841
571-3-643819-7	3-643819-7	7	22	Red	1,79	1,70	1,61
571-3-643819-8	3-643819-8	8	22	Red	1,04	1,01	0,98
571-3-643820-2	3-643820-2	2	24	Natural	0,35	0,33	0,301
571-3-643820-3	3-643820-3	3	24	Natural	0,19	0,17	0,15
571-3-643820-4	3-643820-4	4	24	Natural	0,64	0,55	0,427
571-3-643820-5	3-643820-5	5	24	Natural	0,59	0,56	0,532
571-3-643820-6	3-643820-6	6	24	Natural	1,14	0,95	0,841
Without Locking Ramp and Without Tabs							
571-3-640431-2	3-640431-2	2	18	Orange	0,35	0,33	0,301
571-3-640431-3	3-640431-3	3	18	Orange	0,51	0,48	0,452
571-3-640431-4	3-640431-4	4	18	Orange	0,64	0,55	0,427
571-3-640431-5	3-640431-5	5	18	Orange	0,48	0,427	0,302
571-3-640431-6	3-640431-6	6	18	Orange	1,14	0,95	0,841
571-3-640431-7	3-640431-7	7	18	Orange	1,00	0,97	0,946
571-3-640431-8	3-640431-8	8	18	Orange	1,04	1,01	0,982
571-3-640431-9	3-640431-9	9	18	Orange	0,77	0,696	0,497
571-3-640433-2	3-640433-2	2	22	Red	0,31	0,229	0,185
571-3-640433-3	3-640433-3	3	22	Red	0,51	0,48	0,452
571-3-640433-4	3-640433-4	4	22	Red	0,64	0,55	0,427
571-3-640433-5	3-640433-5	5	22	Red	0,75	0,70	0,651
571-3-640433-6	3-640433-6	6	22	Red	1,14	0,95	0,841
571-3-640433-7	3-640433-7	7	22	Red	0,75	0,71	0,676
571-3-640433-8	3-640433-8	8	22	Red	1,50	1,41	1,40
571-3-640433-9	3-640433-9	9	22	Red	0,79	0,697	0,502
571-4-640433-0	4-640433-0	10	22	Red	0,86	0,696	0,555
With Locking Ramp and Without Tabs							
571-3-640599-2	3-640599-2	2	18	Orange	0,35	0,33	0,301
571-3-640599-3	3-640599-3	3	18	Orange	0,33	0,281	0,208
571-3-640599-4	3-640599-4	4	18	Orange	0,25	0,23	0,22

FEED-THRU

For quantities greater than listed, call for quote.

MOUSER STOCK NO.	TE Part No.	No. of Pos.	Wire Size (AWG)	Color	Price Each		
					1	10	100
With Locking Ramp and Without Tabs (Cont.)							
571-3-640599-5	3-640599-5	5	18	Orange	0,75	0,70	0,651
571-3-640599-6	3-640599-6	6	18	Orange	1,14	0,95	0,841
571-3-640599-7	3-640599-7	7	18	Orange	0,60	0,54	0,384
571-3-640599-8	3-640599-8	8	18	Orange	1,04	1,01	0,982
571-3-640599-9	3-640599-9	9	18	Orange	1,30	1,23	1,17
571-4-640599-0	4-640599-0	10	18	Orange	1,44	1,34	1,24
571-3-640600-2	3-640600-2	2	20	Yellow	0,33	0,25	0,209
571-3-640600-3	3-640600-3	3	20	Yellow	0,34	0,312	0,219
571-3-640600-4	3-640600-4	4	20	Yellow	0,30	0,28	0,27
571-3-640600-5	3-640600-5	5	20	Yellow	0,59	0,56	0,532
571-3-640600-6	3-640600-6	6	20	Yellow	1,14	0,95	0,841
571-3-640600-7	3-640600-7	7	20	Yellow	0,75	0,71	0,676
571-3-640600-8	3-640600-8	8	20	Yellow	1,50	1,41	1,40
571-3-640600-9	3-640600-9	9	20	Yellow	0,76	0,696	0,498
571-3-640601-2	3-640601-2	2	22	Red	0,73	0,69	0,658
571-3-640601-3	3-640601-3	3	22	Red	0,23	0,22	0,21
571-3-640601-4	3-640601-4	4	22	Red	0,26	0,24	0,237
571-3-640601-5	3-640601-5	5	22	Red	0,46	0,405	0,305
571-3-640601-6	3-640601-6	6	22	Red	1,14	0,95	0,841
571-3-640601-7	3-640601-7	7	22	Red	0,75	0,71	0,676
571-3-640601-8	3-640601-8	8	22	Red	1,50	1,41	1,40
571-3-640601-9	3-640601-9	9	22	Red	1,30	1,23	1,17
571-4-640601-0	4-640601-0	10	22	Red	0,86	0,738	0,546
571-3-640602-2	3-640602-2	2	24	Natural	0,37	0,35	0,339
571-3-640602-3	3-640602-3	3	24	Natural	0,23	0,22	0,21
571-3-640602-4	3-640602-4	4	24	Natural	0,64	0,55	0,427
571-3-640602-5	3-640602-5	5	24	Natural	0,59	0,56	0,54
571-3-640602-6	3-640602-6	6	24	Natural	1,14	0,95	0,841
571-3-640602-7	3-640602-7	7	24	Natural	0,75	0,71	0,676
571-3-640602-8	3-640602-8	8	24	Natural	1,50	1,41	1,40
571-3-640602-9	3-640602-9	9	24	Natural	1,30	1,23	1,17
571-4-640602-0	4-640602-0	10	24	Natural	0,83	0,633	0,552
With Locking Ramp and Tabs							
571-3-644465-2	3-644465-2	2	18	Orange	0,35	0,33	0,301
571-3-644465-3	3-644465-3	3	18	Orange	0,27	0,25	0,243
571-3-644465-4	3-644465-4	4	18	Orange	0,25	0,23	0,227
571-3-644465-5	3-644465-5	5	18	Orange	0,59	0,56	0,532
571-3-644465-6	3-644465-6						

TE MTA .156" Series IDC Headers

This product is RoHS compliant.

RoHS Compliant

FRICITION LOCK HEADERS

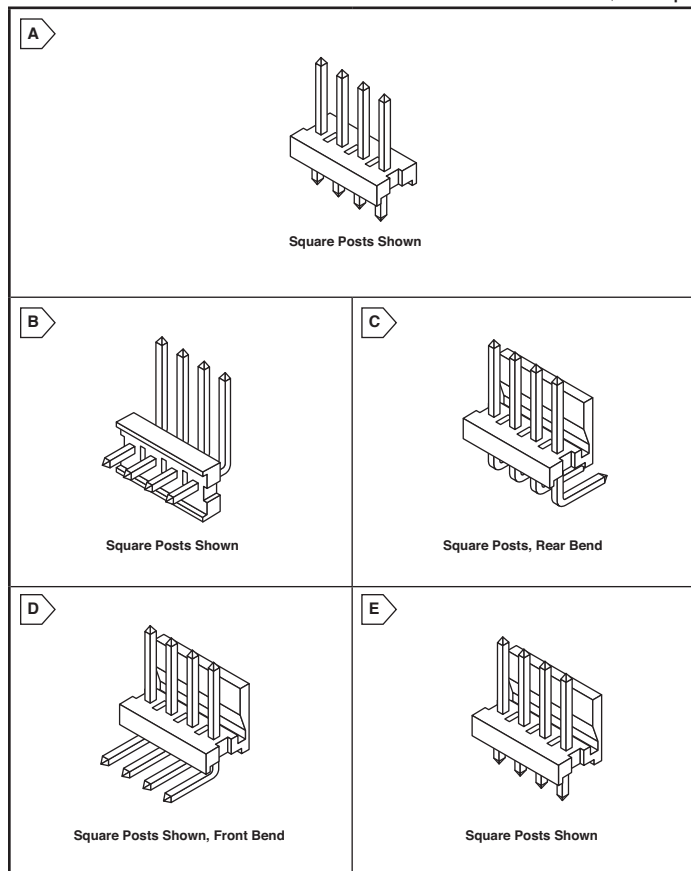
Material and Finish:

- Housing: UL94V-0 rated, polyester, natural color
- Posts: Copper alloy



File No.
E28476

File No.
LR7189



Right Angle, Square Posts, Rear Bend

For quantities greater than listed, call for quote.

MOUSER STOCK NO.	TE Part No.	Fig.	No. of Positions	Plating	Price Each		
					1	10	100
571-6403872	640387-2	C	2	Tin	0,37	0,312	0,254
571-6403873	640387-3	C	3	Tin	0,43	0,385	0,312
571-6403874	640387-4	C	4	Tin	0,52	0,416	0,376
571-6403876	640387-6	C	6	Tin	1,61	1,20	1,18
571-6403877	640387-7	C	7	Tin	1,04	0,841	0,75
571-6403878	640387-8	C	8	Tin	1,07	0,955	0,765
571-6403879	640387-9	C	9	Tin	1,16	1,03	0,829
571-16403870	1-640387-0	C	10	Tin	1,29	1,15	0,915
571-16403872	1-640387-2	C	12	Tin	1,52	1,37	1,09
571-16403874	1-640387-4	C	14	Tin	1,74	1,50	1,23
571-16403876	1-640387-6	C	16	Tin	2,06	1,73	1,43

Right Angle, Square Posts, Front Bend

For quantities greater than listed, call for quote.

MOUSER STOCK NO.	TE Part No.	Fig.	No. of Positions	Plating	Price Each		
					1	10	100
571-6403892	640389-2	D	2	Tin	0,20	0,18	0,17
571-6403893	640389-3	D	3	Tin	0,32	0,30	0,28
571-6403894	640389-4	D	4	Tin	0,63	0,51	0,468
571-6403895	640389-5	D	5	Tin	0,55	0,45	0,414
571-6403896	640389-6	D	6	Tin	0,99	0,769	0,70
571-6403897	640389-7	D	7	Tin	1,12	0,903	0,805
571-6403898	640389-8	D	8	Tin	1,08	1,03	0,96
571-6403899	640389-9	D	9	Tin	1,08	0,956	0,766
571-16403890	1-640389-0	D	10	Tin	1,21	1,17	1,08
571-16403892	1-640389-2	D	12	Tin	1,45	1,39	1,29
571-16403894	1-640389-4	D	14	Tin	2,58	2,14	1,64
571-3-641210-2	3-641210-2	D	2	Gold over Nickel	1,00	0,95	0,902
571-3-641210-3	3-641210-3	D	3	Gold over Nickel	1,56	1,48	1,40
571-3-641210-4	3-641210-4	D	4	Gold over Nickel	2,02	1,91	1,82
571-3-641210-5	3-641210-5	D	5	Gold over Nickel	2,44	2,31	2,20
571-3-641210-6	3-641210-6	D	6	Gold over Nickel	2,96	2,81	2,67
571-3-641210-7	3-641210-7	D	7	Gold over Nickel	3,10	2,79	2,75
571-3-641210-8	3-641210-8	D	8	Gold over Nickel	3,74	3,65	3,55
571-4-641210-2	4-641210-2	D	12	Gold over Nickel	5,14	4,88	4,63

FLAT HEADERS

Material and Finish:

- Housing: UL94V-0 rated, polyester, natural color
- Posts: Copper alloy



File No.
E28476

File No.
LR7189

Straight, Square Posts

For quantities greater than listed, call for quote.

MOUSER STOCK NO.	TE Part No.	Fig.	No. of Positions	Plating	Price Each		
					1	10	100
571-6403832	640383-2	A	2	Tin	0,25	0,22	0,16
571-6403833	640383-3	A	3	Tin	0,27	0,26	0,251
571-6403834	640383-4	A	4	Tin	0,36	0,34	0,326
571-6403835	640383-5	A	5	Tin	0,47	0,45	0,427
571-6403837	640383-7	A	7	Tin	0,65	0,571	0,46
571-6403838	640383-8	A	8	Tin	0,65	0,55	0,414
571-16403830	1-640383-0	A	10	Tin	0,95	0,91	0,841
571-16403832	1-640383-2	A	12	Tin	1,33	1,29	1,11
571-16403834	1-640383-4	A	14	Tin	1,25	1,16	1,01
571-16403836	1-640383-6	A	16	Tin	1,13	1,05	0,911

Straight, Round Posts

For quantities greater than listed, call for quote.

MOUSER STOCK NO.	TE Part No.	Fig.	No. of Positions	Plating	Price Each		
					1	10	100
571-6403843	640384-3	A	3	Tin	0,31	0,271	0,22
571-6403844	640384-4	A	4	Tin	0,35	0,291	0,248
571-6403845	640384-5	A	5	Tin	0,47	0,45	0,427
571-6403846	640384-6	A	6	Tin	0,52	0,437	0,369
571-16403840	1-640384-0	A	10	Tin	0,86	0,675	0,623
571-16403844	1-640384-4	A	14	Tin	1,04	0,925	0,887
571-16403846	1-640384-6	A	16	Tin	2,29	2,06	1,93

Right Angle, Square Posts

For quantities greater than listed, call for quote.

MOUSER STOCK NO.	TE Part No.	Fig.	No. of Positions	Plating	Price Each		
					1	10	100
571-6403853	640385-3	B	3	Tin	0,31	0,29	0,276
571-6403854	640385-4	B	4	Tin	0,41	0,38	0,364
571-6403856	640385-6	B	6	Tin	0,52	0,50	0,489
571-6403857	640385-7	B	7	Tin	0,41	0,34	0,27
571-6403858	640385-8	B	8	Tin	0,76	0,73	0,678
571-16403850	1-640385-0	B	10	Tin	0,95	0,92	0,851
571-16403852	1-640385-2	B	12	Tin	1,41	1,35	1,26
571-16403854	1-640385-4	B	14	Tin	1,37	1,23	1,02
571-16403856	1-640385-6	B	16	Tin	1,58	1,42	1,18

Straight, Square Posts

For quantities greater than listed, call for quote.

MOUSER STOCK NO.	TE Part No.	Fig.	No. of Positions	Plating	Price Each		
					1	10	100
5716404452	640445-2	E	2	Tin	0,18	0,17	0,169
571-6404453	640445-3	E	3	Tin	0,30	0,28	0,263
571-6404454	640445-4	E	4	Tin	0,23	0,22	0,212
571-640445-5	640445-5	E	5	Tin	0,48	0,45	0,439
571-6404456	640445-6	E	6	Tin	0,52	0,50	0,489
571-6404457	640445-7	E	7	Tin	0,40	0,369	0,313
571-6404458	640445-8	E	8	Tin	0,76	0,73	0,678
571-6404459	640445-9	E	9	Tin	0,45	0,364	0,336
571-1-640445-0	1-640445-0	E	10	Tin	0,95	0,89	0,565
571-16404452	1-640445-2	E	12	Tin	1,00	0,95	0,728
571-16404454	1-640445-4	E	14	Tin	1,60	1,52	1,44
571-16404456	1-640445-6	E	16	Tin	0,98	0,875	0,759
571-3-641208-2	3-641208-2	E	2	Gold over Nickel	1,11	1,05	1,00
571-3-641208-3	3-641208-3	E	3	Gold over Nickel	0,74	0,73	0,693
571-3-641208-4	3-641208-4	E	4	Gold over Nickel	0,88	0,86	0,819
571-3-641208-5	3-641208-5	E	5	Gold over Nickel	2,20	2,09	1,98
571-3-641208-6	3-641208-6	E	6	Gold over Nickel	2,56	2,43	2,31
571-3-641208-7	3-641208-7	E	7	Gold over Nickel	3,14	2,98	2,83
571-3-641208-8	3-641208-8	E	8	Gold over Nickel	3,51	3,33	3,16
571-3-641208-9	3-641208-9	E	9	Gold over Nickel	4,04	3,83	3,64
571-4-641208-0	4-641208-0	E	12	Gold over Nickel	3,81	3,63	3,43
571-4-641208-4	4-641208-4	E	14	Gold over Nickel	8,66	8,10	7,09
571-4-641208-6	4-641208-6	E	16	Gold over Nickel	7,52	7,15	6,43

Straight, Round Posts

For quantities greater than listed, call for quote.

MOUSER STOCK NO.	TE Part No.	Fig.	No. of Positions	Plating	Price Each		
					1	10	100
571-6403882	640388-2	E	2	Tin	0,18	0,15	0,138
571-6403883	640388-3	E	3	Tin	0,31	0,29	0,276
571-6403884	640388-4	E	4	Tin	0,41	0,38	0,364
571-6403885	640388-5	E	5	Tin	0,48	0,45	0,439
571-6403886	640388-6	E	6	Tin	0,52	0,50	0,489
571-6403887	640388-7	E	7	Tin	0,23	0,21	0,20
571-6403888	640388-8	E	8	Tin	0,76	0,73	0,678
571-6403889	640388-9	E	9	Tin	0,57	0,437	0,406
571-16403880	1-640388-0	E	10	Tin	0,95	0,92	0,851
571-16403882	1-640388-2	E	12	Tin	0,36	0,34	0,26
571-16403884	1-640388-4	E	14	Tin	0,93	0,77	0,59
571-16403886	1-640388-6	E	16	Tin	1,08	0,893	0,686

COMMERCIAL MATE-N-LOK® CONNECTORS

Features:

- Fully polarized UL 94V-2 housings, nylon
- Integral design locking devices
- Connectors can be panel mounted to .025" - .065" panels
- Contacts accept wire size range 24-14AWG

Specifications:

- Current rating: 7A
- Voltage rating: 300V
- Operating temperature: -20°C to +105°C



LR16476

E28476

RoHS Compliant

*Panel mount also

Free Hanging, Pin Housings

For quantities greater than listed, call for quote.

MOUSER STOCK NO.	TE Part No.	Fig.	No. of Contacts	Housing Type	Price Each		
					1	50	100
571-14803500	1-480350-0	A	1	Detent lock	0,13	0,10	0,092
571-14803510	1-480351-0	A	1	Positive lock	0,13	0,12	0,103
* 571-14803190	1-480319-0	B	2	In-line version	0,48	0,28	0,235
* 571-14803050	1-480305-0	C	3	In-line, detent lock	0,39	0,35	0,314
571-14804260	1-480426-0	C	4	In-line, detent lock	0,87	0,51	0,474
571-14803400	1-480340-0	D	6	Dual row, positive lock	1,19	0,72	0,636
571-14803450	1-480345-0	D	8	Dual row, positive lock	1,55	0,90	0,773
571-14803390	1-480339-0	D	10	Dual row, positive lock	0,99	0,94	0,901

Free Hanging, Socket Housings

For quantities greater than listed, call for quote.

MOUSER STOCK NO.	TE Part No.	Fig.	No. of Contacts	Housing Type	Price Each		
					1	50	100
571-14803490	1-480349-0	E	1	In-line	0,13	0,12	0,08
571-14807200	1-480720-0	F	2	In-line, positive lock	0,45	0,43	0,414
571-14803180	1-480318-0	F	2	In-line	0,31	0,27	0,251
571-14807210	1-480721-0	F	3	In-line, positive lock	1,07	1,02	0,97
571-14803030	1-480303-0	F	3	In-line	0,94	0,53	0,461
571-14807220	1-480722-0	F	4	In-line, positive lock	1,15	1,09	1,04
571-14804240	1-480424-0	F	4	In-line	0,89	0,51	0,449
571-7708271	770827-1	F	4	In-line, detent lock UL94V-0	0,43	0,41	0,393
571-14802700	1-480270-0	G	6	Dual row, positive lock	0,60	0,57	0,54
571-14802830	1-480283-0	G	8	Dual row, positive lock	1,61	0,97	0,823
571-14802850	1-480285-0	G	10	Dual row, positive lock	1,08	1,03	0,982
571-14802870	1-480287-0	G	12	Dual row, positive lock	1,10	1,04	0,993
571-14804380	1-480438-0	G	16	Dual row, positive lock	1,90	1,81	1,72

Panel Mount, Pin Housings

For quantities greater than listed, call for quote.

MOUSER STOCK NO.	TE Part No.	Fig.	No. of Contacts	Housing Type	Price Each		
					1	50	100
571-14803050	1-480305-0	C	3	In-line, detent lock	0,39	0,35	0,314
571-14804260	1-480426-0	C	4	In-line, detent lock	0,87	0,51	0,474
571-14802760	1-480276-0	H	6	Matrix, positive lock	1,02	0,60	0,523
571-14802770	1-480277-0	H	9	Matrix, positive lock	0,87	0,83	0,791
571-14802780	1-480278-0	H	12	Matrix, positive lock	1,07	1,02	0,974
571-14803240	1-480324-0	H	15	Matrix, positive lock	1,03	1,03	1,03

Panel Mount, Socket Housings

For quantities greater than listed, call for quote.

MOUSER STOCK NO.	TE Part No.	Fig.	No. of Contacts	Housing Type	Price Each		
					1	50	100
571-14803040	1-480304-0	I	3	In-line version	0,75	0,47	0,399
571-14804250	1-480425-0	I	4	In-line version	0,66	0,56	0,54
571-14802730	1-480273-0	J	6	Matrix version	0,63	0,62	0,613
571-14802740	1-480274-0	J	9	Matrix version	0,99	0,94	0,894
571-14802750	1-480275-0	J	12	Matrix version	1,82	1,63	1,56
571-14803230	1-480323-0	J	15	Matrix version	2,43	1,45	1,37

Motor Mount, Pin Housings

For quantities greater than listed, call for quote.

MOUSER STOCK NO.	TE Part No.	Fig.	No. of Contacts	Housing Type	Price Each		
					1	50	100
571-14802710	1-480271-0	K	6	Dual row, positive lock	1,00	0,95	0,906
571-14802840	1-480284-0	K	8	Dual row, positive lock	1,29	1,23	1,16
571-14802860	1-480286-0	K	10	Dual row, positive lock	1,84	1,74	1,66
571-14802880	1-480288-0	K	12	Dual row, positive lock	2,08	1,98	1,88
571-14804390	1-480439-0	K	16	Dual row, positive lock	1,72	1,63	1,55

Motor Mount, Socket Housings

For quantities greater than listed, call for quote.

MOUSER STOCK NO.	TE Part No.	Fig.	No. of Contacts	Housing Type	Price Each		
					1	50	100
571-14802700	1-480270-0	G	6	Dual row, positive lock	0,60	0,57	0,54
571-14802830	1-480283-0	G	8	Dual row, positive lock	1,61	0,97	0,823
571-14802850	1-480285-0	G	10	Dual row, positive lock	1,08	1,03	0,982
571-14802870	1-480287-0	G	12	Dual row, positive lock	1,10	1,04	0,993
571-14804380	1-480438-0	G	16	Dual row, positive lock	1,90	1,81	1,72

CONTACTS

Contacts to be used in Commercial MATE-N-LOK Housings only.

Features:

- Material: brass
- Pin length: .805"



RoHS Compliant

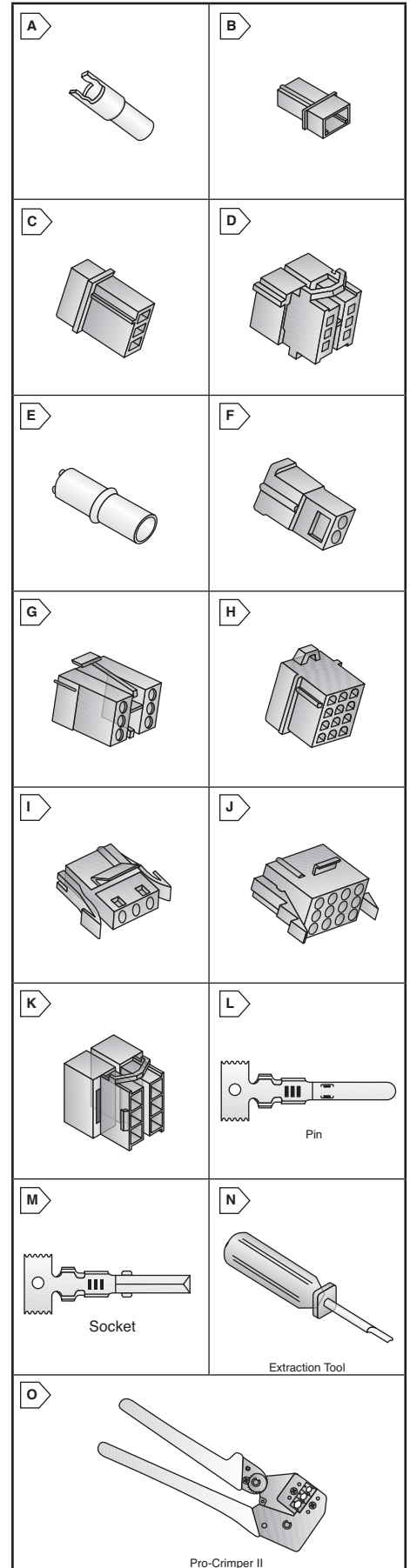
For quantities greater than listed, call for quote.

MOUSER STOCK NO.	TE Part No.	Fig.	Description	Finish	Price Each		
					1	100	500
571-606201	60620-1	L	Pin 20-14AWG	Tin	0,16	0,155	-
571-606181	60618-1	L	Pin 24-18AWG	Tin	0,15	0,135	-
571-60618-5	60618-5	L	Pin 24-18AWG	Gold	1,23	1,16	1,11
571-606191	60619-1	M	Socket 20-14AWG	Tin	0,28	0,15	0,13
571-606171	60617-1	M	Socket 24-18AWG	Tin	0,15	0,135	-

TOOLS

For quantities greater than listed, call for quote.

MOUSER STOCK NO.	TE Part No.	Fig.	Description	Price Each	
				1	500
571-4656441	465644-1	N	Contact extraction tool	32,32	-
571-905741	90574-1	O	24-18 AWG Pro-Crimper III	281,23	-
571-905751	90575-1	O	20-14 AWG Pro-Crimper III	250,86	-
571-580741	58074-1	---	Manual handle w/o head for IDC	72,61	-
571-2318941	231894-1	---	Head (IDC) w/o tool	5277,11	-



COMMERCIAL MATE-N-LOK® PC BOARD MOUNT CONNECTORS

Vertical Pin Headers

Features:

- Fully polarized UL94V-2 housings
- Integral design locking devices
- Contacts: Pre-tin plated phosphor bronze
- Housing: Nylon



For quantities greater than listed, call for quote.

MOUSER STOCK NO.	TE Part No.	Fig.	No. of Contacts	Housing Type	Mates With	Price Each		
						1	50	100
For Use With .062" PCB Thickness, Standard Tail								
571-3505391	350539-1	A	2	In-line, positive lock	571-14807200	0,61	0,58	0,554
571-3502091	350209-1	B	2	In-line, detent lock	571-14803180	0,69	0,65	0,628
571-3505411	350541-1	A	3	In-line, positive lock	571-14807210	1,57	1,49	1,42
571-3502101	350210-1	B	3	In-line, detent lock	571-14803030	0,85	0,81	0,766
571-3505431	350543-1	A	4	In-line, positive lock	571-14807220	1,34	1,27	1,21
571-3502111	350211-1	B	4	In-line, detent lock	571-14804240	1,39	1,28	1,25
571-13809990	1-380999-0	C	6	Dual row, positive lock	571-14802700	1,44	1,35	1,30
571-3502121	350212-1	C	8	Dual row, positive lock	571-14802830	1,90	1,42	1,35
571-13809910	1-380991-0	C	10	Dual row, positive lock	571-14802850	1,27	1,20	1,14
571-3502131	350213-1	C	12	Dual row, positive lock	571-14802870	2,80	2,66	2,53
571-3502141	350214-1	C	16	Dual row, positive lock	571-14804380	3,46	3,29	3,13
For Use With .125" PCB Thickness, Long Tail								
571-3504241	350424-1	B	4	In-line, detent lock	571-14804240	1,07	0,915	0,82

Vertical Socket Headers

- Housing: Nylon, UL94V-2
- Contacts: Phosphor bronze



For quantities greater than listed, call for quote.

MOUSER STOCK NO.	TE Part No.	No. of Contacts	Housing Type	Mates With	Price Each		
					1	50	100
571-7709971	770997-1	4	In-Line	571-14804260	2,98	2,85	2,68

Insulation Displacement Connectors (IDC)

- 4 Circuit, In-line
- Housing: Nylon, UL94V-2
- Mates with 571-14804260, 571-3502111, 571-3504241
- Contact: Phosphor bronze
- Finish: Pre-tin



For quantities greater than listed, call for quote.

MOUSER STOCK NO.	TE Part No.	Fig.	Housing Type	Wire Size AWG	Color	Price Each		
						1	50	100
571-7701564	770156-4	D	In-line version	20	Yellow	0,71	0,642	0,581
571-7701563	770156-3	D	In-line version	18	Orange	0,42	0,41	0,393

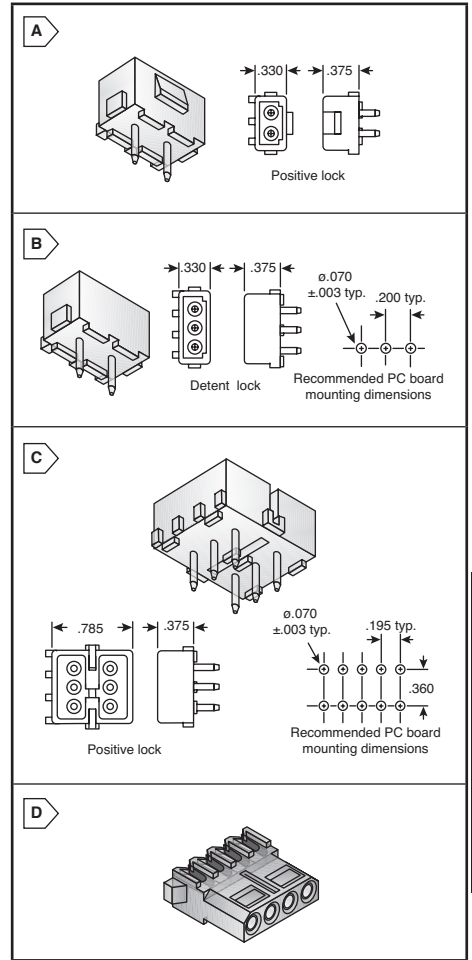
Dust Covers

- Housing: Polyester, white color, UL94V-2
- RoHS compliant per Tyco Electronics documentation



For quantities greater than listed, call for quote.

MOUSER STOCK NO.	TE Part No.	Description	Price Each		
			1	100	500
571-7702321	770232-1	For feed to wiring applications	0,21	0,20	0,19



Rectangular Connectors TE Connectivity

UNIVERSAL MATE-N-LOK 2® CONNECTORS

TE MATE-N-LOK II Connectors offer the ultimate reliability in a softshell connector. They are designed for use where repair or replacement would be difficult. Available in 2-15 circuit sizes for free hanging or panel mount applications. Connectors consist of a front and rear housing section. Contacts are enclosed for shock protection. Terminals use "FM" crimp termination.



Connectors

For quantities greater than listed, call for quote.

MOUSER STOCK NO.	TE Part No.	Fig.	No. of Contacts	Housing Type	Price Each		
					1	50	100
571-7700171	770017-1	A	2	Pin	1,30	1,23	1,17
571-7700181	770018-1	B	3	Pin	1,30	1,23	1,17
571-7700191	770019-1	B	4	Pin	1,45	1,37	1,30
571-7700201	770020-1	C	6	Pin	0,97	0,886	0,752
571-7700211	770021-1	D	9	Pin	1,10	0,937	0,793
571-7700221	770022-1	D	12	Pin	1,12	1,08	1,06
571-7700231	770023-1	D	15	Pin	1,49	1,36	1,16
571-7700241	770024-1	E	2	Socket	0,62	0,59	0,563
571-7700251	770025-1	F	3	Socket	0,81	0,77	0,739
571-7700261	770026-1	F	4	Socket	0,89	0,84	0,804
571-7700271	770027-1	G	6	Socket	1,03	0,876	0,776
571-7700281	770028-1	H	9	Socket	1,02	0,97	0,926
571-7700291	770029-1	H	12	Socket	1,74	1,65	1,57
571-7700301	770030-1	H	15	Socket	1,40	1,33	1,26

CONTACTS

Pin Contacts

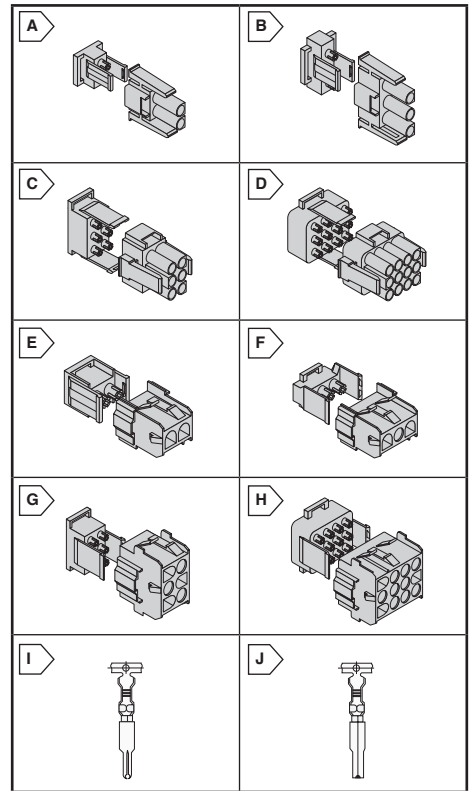
For quantities greater than listed, call for quote.

MOUSER STOCK NO.	TE Part No.	Fig.	Wire AWG	I.D. Range (in.)	Contact Material	Contact Plating	Price Each		
							1	100	500
571-7702521	770252-1	I	24-18	.040 - .100	Brass	Tin	0,13	0,12	0,116
571-7702501	770250-1	I	20-14	.060 - .130	Brass	Tin	0,13	0,12	0,116
571-1-770250-0	1-770250-0	I	20-14	.060 - .130	Brass	Gold	0,76	0,73	0,694
571-7702481	770248-1	I	20-14	.130 - .200	Brass	Tin	0,21	0,20	0,191
571-7702463	770246-3	I	12-10	.200 max.	Phos. bronze	Tin	0,26	0,25	0,244

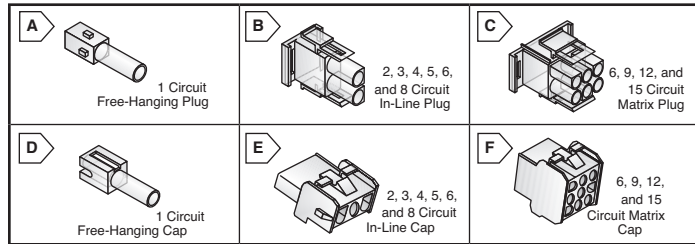
Socket Contacts

For quantities greater than listed, call for quote.

MOUSER STOCK NO.	TE Part No.	Fig.	Wire AWG	I.D. Range (in.)	Contact Material	Contact Plating	Price Each		
							1	100	500
571-7702533	770253-3	J	24-18	.040 - .100	Phos. bronze	Tin	0,16	0,15	0,132
571-1-770253-0	1-770253-0	J	24-18	.040 - .100	Phos. bronze	Gold	1,13	1,08	1,02
571-7702513	770251-3	J	20-14	.060 - .130	Phos. bronze	Tin	0,18	0,17	0,168
571-1-770251-0	1-770251-0	J	20-14	.060 - .130	Phos. bronze	Gold	1,23	1,17	1,11
571-7702493	770249-3	J	20-14	.130 - .200	Phos. bronze	Tin	0,22	0,21	0,192



UNIVERSAL MATE-N-LOK® CONNECTORS



Specifications:
 • Current rating is 15A • .250" Contact center spacing

LR16476 E28476 RoHS Compliant

Plug Housings

MOUSER STOCK NO.	TE Part No.	Fig.	No. of Contacts	Price Each		
				1	50	100
UL94V-2 Nylon						
571-13508670	1-350867-0	A	1	0,13	0,12	0,114
571-14806980	1-480698-0	B	2	0,70	0,53	0,461
571-14807000	1-480700-0	B	3	0,68	0,53	0,498
571-14807020	1-480702-0	B	4	0,97	0,71	0,636
571-14807630	1-480763-0	B	5	1,09	0,80	0,698
571-6405851	640585-1	B	6	0,57	0,54	0,521
571-14807040	1-480704-0	C	6	0,74	0,71	0,67
571-6405861	640586-1	B	8	0,88	0,86	0,834
571-14807060	1-480706-0	C	9	1,34	0,92	0,711
571-14807080	1-480708-0	C	12	1,29	1,00	0,948
571-14807100	1-480710-0	C	15	2,26	1,66	1,47
UL94V-0 White						
571-3508651	350865-1	A	1	0,23	0,196	0,169
571-3507771	350777-1	B	2	0,80	0,59	0,523
571-3507661	350766-1	B	3	0,97	0,71	0,636
571-350779-1	350779-1	B	4	1,22	0,86	0,76
571-3508091	350809-1	B	5	1,42	1,12	1,09
571-6405811	640581-1	B	6	1,20	1,14	1,08
571-350715-1	350715-1	C	6	1,61	1,31	1,07
571-6405821	640582-1	B	8	0,78	0,742	0,494
571-3507201	350720-1	C	9	1,69	1,31	1,09
571-3507351	350735-1	C	12	1,84	1,37	1,16
571-3507361	350736-1	C	15	2,82	2,08	1,79

Cap Housings

MOUSER STOCK NO.	TE Part No.	Fig.	No. of Contacts	Price Each		
				1	50	100
UL94V-2 Nylon						
571-7704211	770421-1	D	1	0,21	0,18	0,175
571-14806990	1-480699-0	E	2	0,69	0,58	0,486
571-14807010	1-480701-0	E	3	0,75	0,56	0,498
571-14807030	1-480703-0	E	4	0,95	0,71	0,636
571-14807640	1-480764-0	E	5	1,11	0,78	0,686
571-14807050	1-480705-0	F	6	1,13	0,84	0,823
571-14807070	1-480707-0	F	9	1,39	1,02	0,885
571-14807090	1-480709-0	F	12	1,46	1,09	0,972
571-14807110	1-480711-0	F	15	2,23	1,66	1,47
UL94V-0 White						
571-3508661	350866-1	D	1	0,23	0,196	0,18
571-3507781	350778-1	E	2	0,89	0,58	0,561
571-3507671	350767-1	E	3	0,98	0,62	0,598
571-3507801	350780-1	E	4	1,29	0,89	0,798
571-3508101	350810-1	E	5	1,36	0,88	0,848
571-9263073	926307-3	E	6	2,32	2,20	2,09
571-3507821	350782-1	F	9	1,74	1,54	1,07
571-3507831	350783-1	F	12	1,86	1,49	1,27
571-3507841	350784-1	F	15	2,98	1,91	1,83

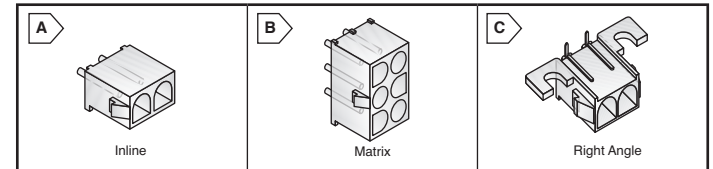
STRAIN RELIEFS

Strain relief part number represents one-half of a strain relief.
 Two pieces must be ordered to make a complete housing.

MOUSER STOCK NO.	TE Part No.	UL Rating	Price Each		
			1	50	100
2, 3, 4, 5, 6, & 8 Circuit In-Line					
571-3508111	350811-1	UL94V-0	0,86	0,85	0,848
6, 9, 12, & 15 Circuit Matrix					
571-13505900	1-350590-0	UL94V-2	0,70	0,66	0,636
571-3508121	350812-1	UL94V-0	0,54	0,53	0,514

MOUSER STOCK NO.	TE Part No.	No. of Contacts	Price Each		
			1	50	100
UL 94V-0 Inline Enclosed					
571-6407131	640713-1	2	1,24	1,18	1,12
571-6407141	640714-1	3	0,87	0,79	0,774
571-6417761	641776-1	4	1,15	1,03	1,02
571-6430301	643030-1	5	1,02	0,97	0,851
UL 94V-0 Matrix Enclosed					
571-6407151	640715-1	6	0,92	0,87	0,798
571-6407161	640716-1	9	0,98	0,91	0,883
571-6407171	640717-1	12	1,07	0,97	0,96
571-6407181	640718-1	15	1,27	1,12	1,06

UNIVERSAL MATE-N-LOK® CONNECTORS - PCB MOUNT



Specifications:
 • 500VAC voltage rating
 • Up to 15A current rating (using 14AWG wire)
 • Contacts: tin or gold plated

Features:
 • Pin or socket contacts included
 • Phosphor bronze contacts
 • .062 PCB thickness

LR16476 E28976 RoHS Compliant

Vertical Pin Headers

MOUSER STOCK NO.	TE Part No.	Fig.	No. of Contacts	Price Each		
				1	50	100
UL94V-0 White						
571-3507861	350786-1	A	2	1,53	1,34	0,885
571-3507891	350789-1	A	3	1,79	1,25	0,961
571-3507921	350792-1	A	4	2,48	1,83	1,80
571-6418281	641828-1	A	8	1,40	1,33	1,26
571-3507111	350711-1	B	6	4,09	3,34	3,06
571-3507121	350712-1	B	9	4,15	3,13	1,76
571-3507141	350714-1	B	15	5,31	3,71	3,41
UL94V-2 Nylon						
571-3504281	350428-1	A	2	1,24	0,75	0,64
571-3504291	350429-1	A	3	1,43	0,82	0,728
571-3504301	350430-1	A	4	2,08	1,25	1,09
571-6404661	640466-1	A	5	2,66	1,87	1,57
571-6418321	641832-1	A	6	2,02	1,92	1,83
571-6418251	641825-1	A	8	1,76	1,60	1,44
571-3504311	350431-1	B	6	2,78	2,08	1,44
571-3504321	350432-1	B	9	3,32	2,15	1,72
571-3504331	350433-1	B	12	3,57	2,57	1,79
571-3504341	350434-1	B	15	4,42	3,03	2,17

Vertical Socket Headers

MOUSER STOCK NO.	TE Part No.	Fig.	No. of Contacts	Price Each		
				1	50	100
UL94V-0 White						
571-3508241	350824-1	A	2	0,80	0,732	0,701
571-350826-1	350826-1	A	4	0,88	0,84	0,798
571-350827-1	350827-1	B	6	1,19	1,13	1,07
571-3508281	350828-1	B	9	1,31	1,25	1,19
571-3508291	350829-1	B	12	1,95	1,75	1,68
UL94V-2 Nylon						
571-3507594	350759-4	A	2	0,48	0,45	0,435
571-3507604	350760-4	A	3	0,59	0,54	0,486
571-3507614	350761-4	A	4	0,50	0,48	0,458
571-3507624	350762-4	B	6	0,83	0,78	0,749
571-3507654	350765-4	B	15	1,67	1,61	1,34

Right Angle Headers

MOUSER STOCK NO.	TE Part No.	Fig.	No. of Contacts	Price Each		
				1	50	100
For quantities greater than listed, call for quote.						
571-13509420	1-350942-0	C	2	1,00	0,91	0,891
571-13509430	1-350943-0	C	3	1,04	0,95	0,929
571-13509440	1-350944-0	C	4	1,05	1,03	0,91
571-6405831	640583-1	C	6	1,90	1,84	1,78
571-6405841	640584-1	C	8	2,55	2,42	2,30

CONTACTS

Features:
 • Pin length: .805"
 • Socket length: .695"
 • For use with Universal Mate-N-Lok Housings only

MOUSER STOCK NO.	TE Part No.	Fig.	Wire Gauge AWG	Description	Price Each		
					1	50	100
For quantities greater than listed, call for quote.							
571-3505471	350547-1	A	20-14	Pin, brass/pre-tin	0,08	0,07	0,056
571-3505472	350547-2	A	20-14	Pin, brass/gold	0,77	0,73	0,695
571-3505477	350547-7	A	20-14	Pin, brass/select gold	0,58	0,431	0,399
571-3505473	350547-3	A	20-14	Pin, phos. brz/pre-tin	0,14	0,13	0,129
571-3506901	350690-1	A	24-18	Pin, brass/pre-tin	0,12	0,085	0,079
571-3505501	350550-1	B	20-14	Socket, brass/pre-tin	0,10	0,09	0,085
571-3506891	350689-1	B	24-18	Socket, brass/pre-tin	0,14	0,13	0,112

TOOLS

MOUSER STOCK NO.	TE Part No.	Description	Price Each
571-58530-1	58530-1	12-10 AWG Pro-Crimper	345,67
571-905481	90548-1	24-18 AWG Pro-Crimper III	216,30
571-905461	90546-1	20-14 AWG Pro-Crimper III	216,30
571-4558301	455830-1	Contact Insertion Tool	16,16
571-1804030-1	1804030-1	Contact Extraction Tool	33,05

TE Universal Micro Mate-N-Lok® Connectors

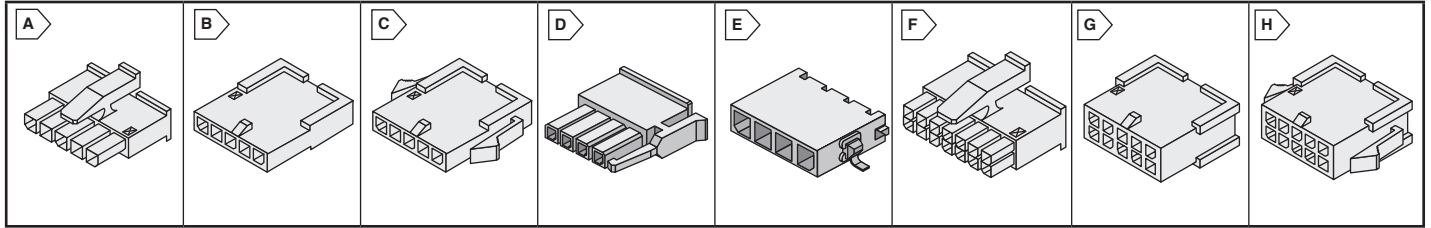
RoHS Compliant This product is RoHS compliant.

Features:

- Small form factor for space considerations
- Improved reliability and normal force
- Provides for proper mating of housings
- 3mm Pitch
- Dual Beam Contact Design
- Wire-to-Board connector system
- Allows for SMT processing

Specifications:

- Housing: Nylon, Black, UL94V-0
- Contacts: Brass (Plug); Phosphor Bronze (Receptacle)
- Voltage Rating: 250V
- Current Rating: 5A max.
- Contact Resistance: 20 m max.
- Temperature: -40°C to +105°C



SINGLE ROW CONNECTOR SYSTEM

Receptacle Housings

For quantities greater than listed, call for quote.

MOUSER STOCK NO.	TE Part No.	Fig.	No. of Positions	Price Each				
				1	25	50	100	250
571-14450222	1445022-2	A	2	0,28	0,27	0,257	0,252	0,239
571-14450223	1445022-3	A	3	0,26	0,25	0,247	0,221	0,213
571-14450224	1445022-4	A	4	0,31	0,30	0,297	0,293	0,288
571-14450225	1445022-5	A	5	0,38	0,36	0,35	0,341	0,326
571-14450226	1445022-6	A	6	0,42	0,38	0,375	0,37	0,364
571-14450227	1445022-7	A	7	0,37	0,345	0,325	0,295	0,279
571-14450228	1445022-8	A	8	0,79	0,75	0,712	0,677	0,626
571-14450229	1445022-9	A	9	0,54	0,489	0,448	0,343	0,323
571-114450220	1-1445022-0	A	10	0,56	0,532	0,42	0,371	0,346
571-114450222	1-1445022-2	A	12	0,67	0,595	0,511	0,418	0,398

DUAL ROW CONNECTOR SYSTEM

Receptacle Housings

For quantities greater than listed, call for quote.

MOUSER STOCK NO.	TE Part No.	Fig.	No. of Positions	Price Each				
				1	25	50	100	250
571-794617-2	794617-2	F	2	0,44	0,43	0,419	0,415	0,407
571-794617-4	794617-4	F	4	0,39	0,36	0,33	0,303	0,279
571-794617-6	794617-6	F	6	0,35	0,31	0,276	0,251	0,228
571-794617-8	794617-8	F	8	0,48	0,45	0,431	0,391	0,376
571-17946170	1-794617-0	F	10	0,54	0,52	0,471	0,451	0,414
571-17946172	1-794617-2	F	12	0,54	0,53	0,521	0,512	0,502
571-17946174	1-794617-4	F	14	0,70	0,66	0,631	0,60	0,543
571-17946176	1-794617-6	F	16	0,55	0,54	0,53	0,527	0,521
571-17946178	1-794617-8	F	18	0,72	0,69	0,657	0,624	0,561
571-27946170	2-794617-0	F	20	0,65	0,64	0,627	0,597	0,587
571-27946174	2-794617-4	F	24	0,71	0,67	0,65	0,642	0,595

Plug Housings - Free Hanging

For quantities greater than listed, call for quote.

MOUSER STOCK NO.	TE Part No.	Fig.	No. of Positions	Price Each				
				1	25	50	100	250
571-14450492	1445049-2	B	2	0,26	0,24	0,231	0,221	0,213
571-14450493	1445049-3	B	3	0,42	0,40	0,38	0,361	0,348
571-14450494	1445049-4	B	4	0,36	0,34	0,321	0,311	0,301
571-14450495	1445049-5	B	5	0,40	0,39	0,381	0,365	0,351
571-14450496	1445049-6	B	6	0,44	0,41	0,37	0,365	0,356
571-14450497	1445049-7	B	7	0,43	0,386	0,38	0,282	0,261
571-14450498	1445049-8	B	8	0,48	0,428	0,40	0,303	0,281
571-14450499	1445049-9	B	9	0,52	0,47	0,407	0,333	0,303
571-114450490	1-1445049-0	B	10	0,56	0,501	0,436	0,355	0,326
571-114450491	1-1445049-1	B	11	0,58	0,521	0,456	0,375	0,346
571-114450492	1-1445049-2	B	12	0,62	0,562	0,478	0,405	0,384

Plug Housings - Free Hanging

For quantities greater than listed, call for quote.

MOUSER STOCK NO.	TE Part No.	Fig.	No. of Positions	Price Each				
				1	25	50	100	250
571-7946162	794616-2	G	2	0,35	0,33	0,318	0,302	0,289
571-7946164	794616-4	G	4	0,39	0,38	0,361	0,34	0,331
571-7946166	794616-6	G	6	0,40	0,39	0,378	0,375	0,369
571-794616-8	794616-8	G	8	0,61	0,60	0,593	0,591	0,564
571-17946160	1-794616-0	G	10	0,70	0,626	0,518	0,444	0,417
571-17946162	1-794616-2	G	12	0,66	0,65	0,64	0,63	0,628
571-17946164	1-794616-4	G	14	0,90	0,803	0,782	0,573	0,526
571-17946166	1-794616-6	G	16	0,93	0,823	0,763	0,629	0,592
571-17946168	1-794616-8	G	18	1,07	0,969	0,829	0,692	0,654
571-27946160	2-794616-0	G	20	1,12	1,05	0,968	0,757	0,703
571-27946162	2-794616-2	G	22	1,27	1,13	1,07	0,821	0,743
571-27946164	2-794616-4	G	24	1,36	1,23	1,13	0,882	0,802

Plug Housings - Panel Mount

For quantities greater than listed, call for quote.

MOUSER STOCK NO.	TE Part No.	Fig.	No. of Positions	Price Each				
				1	25	50	100	250
571-14450482	1445048-2	C	2	0,28	0,27	0,261	0,251	0,238
571-14450483	1445048-3	C	3	0,27	0,239	0,217	0,178	-
571-14450484	1445048-4	C	4	0,34	0,33	0,32	0,31	0,301
571-14450485	1445048-5	C	5	0,39	0,38	0,371	0,361	0,351
571-14450486	1445048-6	C	6	0,32	0,30	0,282	0,277	-
571-14450487	1445048-7	C	7	0,43	0,385	0,332	0,28	0,259
571-1445048-8	1445048-8	C	8	0,47	0,418	0,364	0,339	0,291
571-1445048-9	1445048-9	C	9	0,50	0,458	0,449	0,364	0,332
571-114450480	1-1445048-0	C	10	0,54	0,49	0,434	0,353	0,324
571-114450481	1-1445048-1	C	11	0,58	0,521	0,456	0,375	0,346
571-114450482	1-1445048-2	C	12	0,64	0,57	0,503	0,408	0,382

Plug Housings - Panel Mount

For quantities greater than listed, call for quote.

MOUSER STOCK NO.	TE Part No.	Fig.	No. of Positions	Price Each				
				1	25	50	100	250
571-7946152	794615-2	H	2	0,31	0,29	0,28	0,27	0,263
571-7946154	794615-4	H	4	0,39	0,38	0,361	0,34	0,331
571-7946156	794615-6	H	6	0,50	0,48	0,469	0,466	0,445
571-7946158	794615-8	H	8	0,45	0,44	0,428	0,415	0,407
571-17946150	1-794615-0	H	10	0,58	0,57	0,56	0,55	0,54
571-17946152	1-794615-2	H	12	0,66	0,65	0,64	0,63	0,628
571-17946154	1-794615-4	H	14	0,90	0,803	0,775	0,573	0,527
571-17946156	1-794615-6	H	16	0,75	0,73	0,721	0,715	0,678
571-1794615-8	1-794615-8	H	18	1,08	0,978	0,83	0,693	0,655
571-27946150	2-794615-0	H	20	0,99	0,97	0,95	0,93	0,916
571-27946152	2-794615-2	H	22	1,28	1,09	0,968	0,822	0,819
571-2-794615-4	2-794615-4	H	24	1,40	1,30	1,28	1,27	1,22

MICRO MATE-N-LOK CONNECTORS - LOW PROFILE

Features:

- New side latch feature allows for an ultra-low profile (less than 4.7mm)
- Positive latching housings help prevent connector unmatching
- Polarized housings help prevent connector mismatching
- Surface mount hold-downs provide robust header support
- Utilizes standard Micro MATE-N-LOK contacts

Applications:

- Designed specifically for LED lighting applications
- Consumer Lighting: Shelf/Cabinet Lighting, Under-counter Illumination, Cove Lighting
- Commercial Lighting: Signage, Freezer/Refrigerator, Display Case

MOUSER STOCK NO.	TE Part No.	Fig.	No. of Positions	Color	Price Each		
					1	25	100
Receptacle Housings							
571-2029047-2	2029047-2	D	2	Black	0,37	0,292	0,258
571-2029047-3	2029047-3	D	3	Black	0,43	0,344	0,303
571-2029047-4	2029047-4	D	4	Black	0,49	0,386	0,344
571-2029102-2	2029102-2	D	2	Natural	0,39	0,303	0,272
571-2029102-3	2029102-3	D	3	Natural	0,44	0,345	0,319
571-2029102-4	2029102-4	D	4	Natural	0,52	0,407	0,368
Right Angle Surface Mount Headers							
571-2029030-2	2029030-2	E	2	Black	0,94	0,747	0,675
571-2029030-3	2029030-3	E	3	Black	1,13	0,917	0,799
571-2029104-2	2029104-2	E	2	Natural	0,88	0,748	0,676
571-2029104-3	2029104-3	E	3	Natural	1,13	0,917	0,799

CONTACTS

For quantities greater than listed, call for quote.

MOUSER STOCK NO.	TE Part No.	AWG	Plating	Price Each			
				1	100	500	1000
Sockets							
571-1794610-1	794610-1	20-24	Tin	0,10	0,09	0,087	0,085
571-1-794610-1	1-794610-1	20-24	15µ" Gold	0,10	0,09	0,074	0,071
571-1-794610-2	1-794610-2	20-24	30µ" Gold	0,09	0,08	0,079	0,077
571-7946111	794611-1	26-30	Tin	0,10	0,09	0,081	0,075
571-1-794611-1	1-794611-1	26-30	15µ" Gold	0,11	0,10	0,099	0,094
571-1-794611-2	1-794611-2	26-30	30µ" Gold	0,16	0,15	0,146	0,139
Pins							
571-1-794612-0	1-794612-0	20-24	Tin	0,11	0,10	0,091	0,085
571-1-794612-1	1-794612-1	20-24	15µ" Gold	0,11	0,10	0,097	0,092
571-1-794612-2	1-794612-2	20-24	30µ" Gold	0,20	0,19	0,184	0,174
571-1-794613-0	1-794613-0	26-30	Tin	0,13	0,09	0,079	0,075
571-1-794613-1	1-794613-1	26-30	15µ" Gold	0,11	0,10	0,099	0,094
571-1-794613-2	1-794613-2	26-30	30µ" Gold	0,20	0,19	0,184	0,174

TOOLS

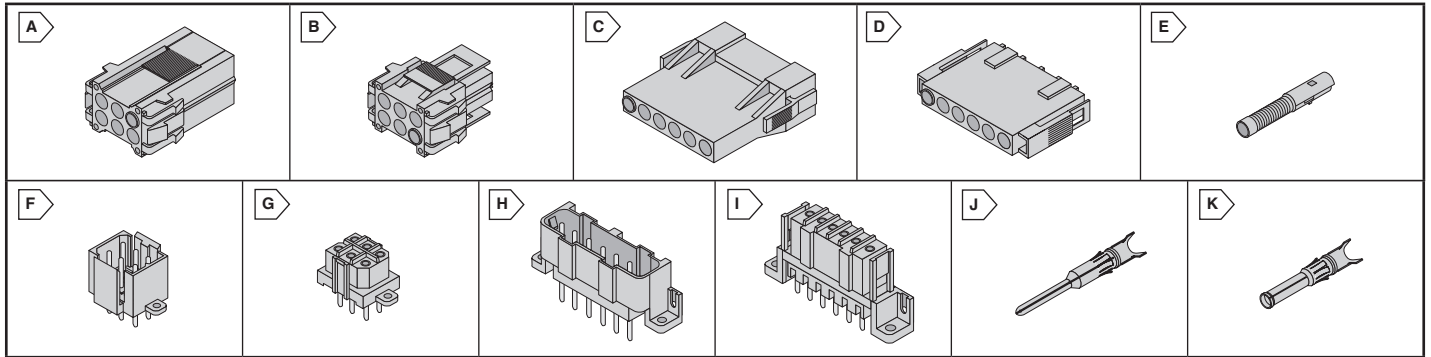
For quantities greater than listed, call for quote.

MOUSER STOCK NO.	TE Part No.	AWG	Description	Price Each
571-91501-1	91501-1	20-24	Hand Tool & Die	622,98
571-915021	91502-1	26-30	Hand Tool & Die	622,98
571-8439966	843996-6	- - -	Extraction Tool	39,38

TE Metrimate Pin and Socket Connectors



RoHS Compliant This product is RoHS compliant.



TE Metrimate connectors are true metric specification connectors designed for panel, free-hanging or PC board application. These connectors offer improvements in durability, density and electrical performance over soft-shell pin and socket connectors.

HOUSINGS

Square Grid Housing

Specifications:

- Polarized housings
- Housings made of UL rated 94V-0 thermoplastic
- Certified to ISO 9001



For quantities greater than listed, call for quote.

MOUSER STOCK NO.	TE Part No.	Fig.	Number of Positions	Price Each		
				1	25	100
Receptacle						
571-2070161	207016-1	A	4	1,09	1,03	0,983
571-2071531	207153-1	A	6	1,01	0,81	0,735
571-2074401	207440-1	A	9	1,63	1,54	1,47
571-207018-1	207018-1	A	12	1,73	1,65	1,57
571-207443-1	207443-1	A	18	1,95	1,85	1,76
571-2073051	207305-1	A	24	2,34	2,22	2,11
571-2070201	207020-1	A	36	3,12	2,97	2,82
Plug						
571-2070151	207015-1	B	4	1,00	0,95	0,90
571-2071521	207152-1	B	6	1,00	0,95	0,909
571-207439-1	207439-1	B	9	1,30	1,24	1,17
571-2070171	207017-1	B	12	1,73	1,65	1,57
571-2074421	207442-1	B	18	1,95	1,85	1,76
571-2073041	207304-1	B	24	2,63	2,39	2,00
571-2070191	207019-1	B	36	2,61	2,48	2,35

In-Line Housing

Specifications:

- Housings made of UL rated 94V-0 thermoplastic
- Certified to ISO 9001



For quantities greater than listed, call for quote.

MOUSER STOCK NO.	TE Part No.	Fig.	Number of Positions	Price Each		
				1	25	100
Receptacle						
571-2073591	207359-1	C	3	0,94	0,90	0,856
571-2073761	207376-1	C	6	1,38	1,14	1,02
571-2073971	207397-1	C	10	3,11	2,95	2,81
571-2075431	207543-1	C	16	2,95	2,69	2,08
Plug						
571-2073601	207360-1	D	3	1,00	0,95	0,909
571-2073771	207377-1	D	6	1,52	1,45	1,37
571-207396-1	207396-1	D	10	1,92	1,59	1,32
571-2075421	207542-1	D	16	1,78	1,60	1,50
Hermaphroditic Housing						
571-211076-1	211076-1	E	1	1,46	1,31	0,885

HEADERS

Square Grid Vertical Headers

Specifications:

- RoHS compliant per Tyco Electronics Documentation
- 5mm (.197") Centerline
- 600V, 14A max.
- Polarized housings
- Housings made of UL rated 94V-0 thermoplastic
- Certified to ISO 9001



For quantities greater than listed, call for quote.

MOUSER STOCK NO.	TE Part No.	Fig.	No. of Positions	Plating	Price Each		
					1	25	100
Pin							
571-207119-8	207119-8	F	4	Tin	6,45	5,14	4,62
571-1-207119-0	1-207119-0	F	4	Gold	7,57	6,80	6,31
571-207158-7	207158-7	F	6	Tin	5,13	4,42	4,08
571-1-207158-0	1-207158-0	F	6	Gold	6,94	6,27	5,79
571-207441-7	207441-7	F	9	Tin	5,72	5,60	4,59
571-1-207441-0	1-207441-0	F	9	Gold	10,07	9,05	8,17
571-207120-9	207120-9	F	12	Tin	7,47	6,72	6,33
571-207120-8	207120-8	F	12	Gold	8,38	8,07	6,73
571-207444-9	207444-9	F	18	Tin	7,68	7,10	6,60
571-207444-8	207444-8	F	18	Gold	20,36	17,41	16,10
571-1-206763-1	1-206763-1	F	24	Tin	17,00	15,26	12,18
571-1-206763-3	1-206763-3	F	24	Gold	17,54	15,00	12,62
571-207121-8	207121-8	F	36	Tin	16,24	14,35	12,77
571-207121-9	207121-9	F	36	Gold	26,64	21,30	19,09

Square Grid Vertical Headers

For quantities greater than listed, call for quote.

MOUSER STOCK NO.	TE Part No.	Fig.	No. of Positions	Plating	Price Each		
					1	25	100
Socket							
571-207496-7	207496-7	G	4	Tin	7,53	6,77	6,27
571-207496-9	207496-9	G	4	Gold	10,38	7,71	6,80
571-207524-7	207524-7	G	6	Tin	4,63	4,16	3,79
571-207524-9	207524-9	G	6	Gold	5,88	4,81	4,21
571-207526-7	207526-7	G	9	Tin	5,95	5,36	4,80
571-207526-9	207526-9	G	9	Gold	10,99	9,31	8,12
571-207528-7	207528-7	G	12	Tin	6,61	6,13	5,66
571-207528-9	207528-9	G	12	Gold	8,99	7,62	6,90
571-207530-7	207530-7	G	18	Tin	9,88	9,15	7,99
571-207530-9	207530-9	G	18	Gold	15,26	14,30	13,02
571-207532-8	207532-8	G	24	Tin	8,83	8,06	7,55
571-1-207532-0	1-207532-0	G	24	Gold	16,61	14,10	12,51
571-207534-8	207534-8	G	36	Tin	18,00	16,62	15,02
571-1-207534-0	1-207534-0	G	36	Gold	24,26	21,08	21,08

In-Line Vertical Headers

For quantities greater than listed, call for quote.

MOUSER STOCK NO.	TE Part No.	Fig.	No. of Positions	Plating	Price Each		
					1	25	100
Pin							
571-207365-7	207365-7	H	3	Tin	4,55	4,06	3,70
571-207365-8	207365-8	H	3	Gold	5,48	5,11	4,79
571-207583-6	207583-6	H	6	Tin	4,99	4,46	3,52
571-207583-7	207583-7	H	6	Gold	8,54	7,97	6,76
571-207584-7	207584-7	H	10	Tin	8,65	7,08	6,69
571-207584-8	207584-8	H	10	Gold	13,45	11,48	9,92
571-207599-6	207599-6	H	16	Tin	12,75	11,48	9,68
571-207599-7	207599-7	H	16	Gold	15,43	13,87	12,12
Socket							
571-207609-6	207609-6	I	3	Tin	3,53	3,21	2,96
571-207609-7	207609-7	I	3	Gold	4,86	3,98	3,45
571-207611-6	207611-6	I	6	Tin	5,13	4,70	4,17
571-207611-7	207611-7	I	6	Gold	6,42	6,12	4,81
571-207613-6	207613-6	I	10	Tin	8,41	7,60	6,79
571-207613-7	207613-7	I	10	Gold	10,95	8,16	7,13
571-207615-6	207615-6	I	16	Tin	19,22	17,30	15,12
571-207615-7	207615-7	I	16	Gold	18,57	16,89	14,74

CONTACTS

Plating:

- (a) Bright Tin
- (b) Gold 30µ over Nickel 50µ



For quantities greater than listed, call for quote.

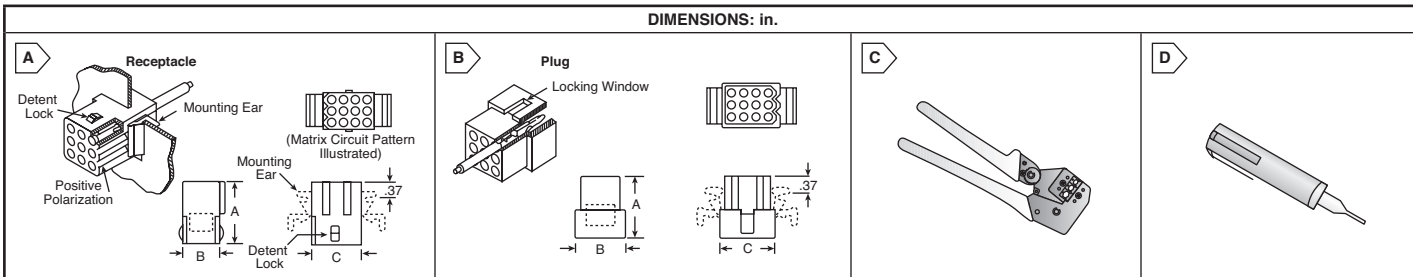
MOUSER STOCK NO.	TE Part No.	Fig.	Wire Size AWG	Plating	Price Each		
					1	100	1000
Pin Contacts							
571-1-66107-1	1-66107-1	J	26-24	a	0,31	0,29	0,20
571-661074	66107-4	J	26-24	b	0,34	0,33	0,32
571-1-66103-8	1-66103-8	J	24-20	a	0,50	0,35	0,27
571-66103-4	66103-4	J	24-20	b	0,91	0,62	0,58
571-1-66099-5	1-66099-5	J	18-16	a	0,50	0,39	0,33
571-66099-4	66099-4	J	18-16	b	0,97	0,64	0,60
Socket Contacts							
571-1-66109-7	1-66109-7	K	26-24	a	0,50	0,43	0,40
571-661094	66109-4	K	26-24	b	0,49	0,45	0,41
571-1-66105-9	1-66105-9	K	24-20	a	0,62	0,42	0,36
571-66105-4	66105-4	K	24-20	b	1,08	0,74	0,67
571-1-66101-9	1-66101-9	K	18-16	a	0,63	0,43	0,36
571-66101-4	66101-4	K	18-16	b	1,20	0,70	0,577

TOOLS

MOUSER STOCK NO.	TE Part No.	Description	Price Each
571-305183	305183	Contact Removal Tool	15,91
571-584951	58495-1	26-16 AWG Pro-Crimper III	148,71
571-91515-1	91515-1	Crimp Tool, 30-26 AWG	622,98
571-91523-1	91523-1	Crimp Tool, 24-16 AWG	775,19
571-91505-1	91505-1	Crimp Tool 18-16 AWG	641,21

TE Pin and Socket Connectors and Tools

(.062" and .093")



These nylon housing connectors are used throughout the world in appliances, televisions, electronic games, business machines, and computers. All items are UL recognized (file no. E28476) and CSA listed (file no. LR-16455-101). These connectors are totally interchangeable/interchangeable (housing for housing; contact for contact; assembly for assembly) with industry standard connectors of the same type.



.062" TERMINAL HOUSINGS

- .145" grid spacing
- UL94V-2 nylon natural color
- Accepts 30-18AWG wire
- Polarized



RoHS Compliant

Free-Hanging Receptacles

For quantities greater than listed, call for quote.

MOUSER STOCK NO.	TE Part No.	Fig.	No. of Circuits	Circuit Pattern	Dimensions: in.			Price Each		
					A	B	C	1	10	100
571-7702771	770277-1	A	1	In-line	.785	---	---	0,10	0,09	0,086
571-7703421	770342-1	A	2	In-line	.820	.199	.340	0,15	0,14	0,13
571-7703331	770333-1	A	3	In-line	.785	.199	.490	0,15	0,14	0,13
571-7702741	770274-1	A	4	In-line	.785	.199	.635	0,65	0,62	0,59
571-7704421	770442-1	A	4	Matrix	.878	.345	.545	0,22	0,21	0,203
571-7703561	770356-1	A	6	Matrix	.785	.495	.345	0,29	0,28	0,269
571-7704291	770429-1	A	9	Matrix	.790	.495	.490	0,24	0,22	0,21

.093" TERMINAL HOUSINGS (CONT.)

Panel Mount Plugs

For quantities greater than listed, call for quote.

MOUSER STOCK NO.	TE Part No.	Fig.	No. of Circuits	Circuit Pattern	Dimensions: in.			Price Each		
					A	B	C	1	10	100
571-7700681	770068-1	B	2	In-line	1.095	.340	.640	0,56	0,53	0,51
571-7700731	770073-1	B	3	In-line	1.095	.340	.770	0,24	0,23	0,219
571-7700771	770077-1	B	4	In-line	1.095	.340	.970	0,28	0,207	0,132
571-7700891	770089-1	B	6	Matrix	.970	.735	.535	0,38	0,33	0,258
571-7701061	770106-1	B	15	Matrix	.970	.735	1.170	0,84	0,71	0,59

RoHS Compliant

Free-Hanging Plugs

For quantities greater than listed, call for quote.

MOUSER STOCK NO.	TE Part No.	Fig.	No. of Circuits	Circuit Pattern	Dimensions: in.			Price Each		
					A	B	C	1	10	100
571-7702781	770278-1	B	1	In-line	.750	---	---	0,11	0,10	0,097
571-7703401	770340-1	B	2	In-line	.780	.300	.440	0,12	0,11	0,10
571-7703311	770331-1	B	3	In-line	.750	.300	.590	0,16	0,134	0,117
571-7702751	770275-1	B	4	In-line	.750	.300	.733	0,68	0,64	0,61
571-7704331	770433-1	B	4	Matrix	.868	.445	.445	0,23	0,22	0,218
571-7703551	770355-1	B	6	Matrix	.750	.600	.445	0,26	0,25	0,24
571-7704281	770428-1	B	9	Matrix	.750	.600	.590	0,19	0,18	0,174

Free-Hanging Plugs

For quantities greater than listed, call for quote.

MOUSER STOCK NO.	TE Part No.	Fig.	No. of Circuits	Circuit Pattern	Dimensions: in.			Price Each		
					A	B	C	1	10	100
571-7700641	770064-1	B	1	In-line	.970	.245	---	0,12	0,092	0,075
571-7700691	770069-1	B	2	In-line	1.095	.340	.640	0,24	0,22	0,21
571-7700741	770074-1	B	3	In-line	1.095	.340	.770	0,20	0,155	0,114
571-7700781	770078-1	B	4	In-line	1.095	.340	.970	0,22	0,196	0,164
571-7708421	770842-1	B	4	Matrix	.970	.735	.540	0,84	0,546	0,444
571-7700841	770084-1	B	5	In-line	.970	.340	1.170	0,21	0,186	0,178
571-7700901	770090-1	B	6	Matrix	.970	.735	.535	0,35	0,34	0,32
571-7700961	770096-1	B	9	Matrix	.970	.735	.770	0,39	0,37	0,35
571-7701021	770102-1	B	12	Matrix	.970	.735	.970	0,41	0,38	0,37
571-7701071	770107-1	B	15	Matrix	.970	.735	1.170	0,45	0,391	0,288

.093" TERMINAL HOUSINGS

- .198" centerline spacing
- Accepts 24-14AWG wire
- UL94V-2 nylon, natural color
- Polarized



RoHS Compliant

Panel Mount Receptacles, without Detent Lock

For quantities greater than listed, call for quote.

MOUSER STOCK NO.	TE Part No.	Fig.	No. of Circuits	Circuit Pattern	Dimensions: in.			Price Each		
					A	B	C	1	10	100
571-7700851	770085-1	A	6	Matrix	1.000	.635	.435	0,29	0,267	0,227
571-7700911	770091-1	A	9	Matrix	1.000	.635	.670	0,44	0,37	0,319
571-7700971	770097-1	A	12	Matrix	1.000	.635	.870	0,42	0,37	0,316
571-7701031	770103-1	A	15	Matrix	1.000	.635	1.070	0,51	0,392	0,338

PIN AND SOCKET CONTACTS



RoHS Compliant

For use with .062" Terminal Housings

For quantities greater than listed, call for quote.

MOUSER STOCK NO.	TE Part No.	Style	Wire Size (AWG)	Finish and Materials	Price Each			
					1	100	500	1000
571-7940181	794018-1	Pin	30-24	Tin over brass	0,15	0,063	0,061	0,057
571-7940171	794017-1	Pin	24-18	Tin over brass	0,13	0,071	0,055	0,049
571-7940191	794019-1	Socket	30-24	Tin over brass	0,09	0,052	0,042	0,037
571-7940161	794016-1	Socket	24-18	Tin over brass	0,11	0,053	0,042	0,038

Panel Mount Receptacles, with Detent Lock

For quantities greater than listed, call for quote.

MOUSER STOCK NO.	TE Part No.	Fig.	No. of Circuits	Circuit Pattern	Dimensions: in.			Price Each		
					A	B	C	1	10	100
571-7700661	770066-1	A	2	In-line	1.125	.240	.540	0,15	0,14	0,134
571-7700711	770071-1	A	3	In-line	1.125	.240	.670	0,20	0,155	0,11
571-7700761	770076-1	A	4	In-line	1.125	.240	.870	0,30	0,217	0,14
571-7700871	770087-1	A	6	Matrix	1.000	.635	.435	1,01	0,96	0,91

For use with .093" Terminal Housings

For quantities greater than listed, call for quote.

MOUSER STOCK NO.	TE Part No.	Style	Wire Size (AWG)	Finish and Materials	Price Each			
					1	100	500	1000
571-7701451	770145-1	Pin	20-14	Tin over brass	0,07	0,06	0,059	0,056
571-7701471	770147-1	Pin	24-18	Tin over brass	0,07	0,06	0,059	0,056
571-7701441	770144-1	Socket	20-14	Tin over brass	0,07	0,06	0,059	0,056
571-7701461	770146-1	Socket	24-18	Tin over brass	0,07	0,06	0,059	0,056

Free-Hanging Receptacles, without Detent Lock

For quantities greater than listed, call for quote.

MOUSER STOCK NO.	TE Part No.	Fig.	No. of Circuits	Circuit Pattern	Dimensions: in.			Price Each		
					A	B	C	1	10	100
571-7700881	770088-1	A	6	Matrix	1.000	.635	.435	0,30	0,29	0,278
571-7700941	770094-1	A	9	Matrix	1.000	.635	.670	0,85	0,772	0,661
571-7701001	770100-1	A	12	Matrix	1.000	.635	.870	0,85	0,763	0,666
571-7701051	770105-1	A	15	Matrix	1.000	.635	1.070	0,51	0,392	0,323

TOOLS

For use with .062" Pin and Socket Contacts

For quantities greater than listed, call for quote.

MOUSER STOCK NO.	TE Part No.	Fig.	Description	Price Each
571-908701	90870-1	C	Pro-Crimper III hand tool 30-24 AWG	278,26
571-908691	90869-1	C	Pro-Crimper III hand tool 24-18 AWG	393,71
571-3188311	318831-1	D	Contact extraction tool	180,24

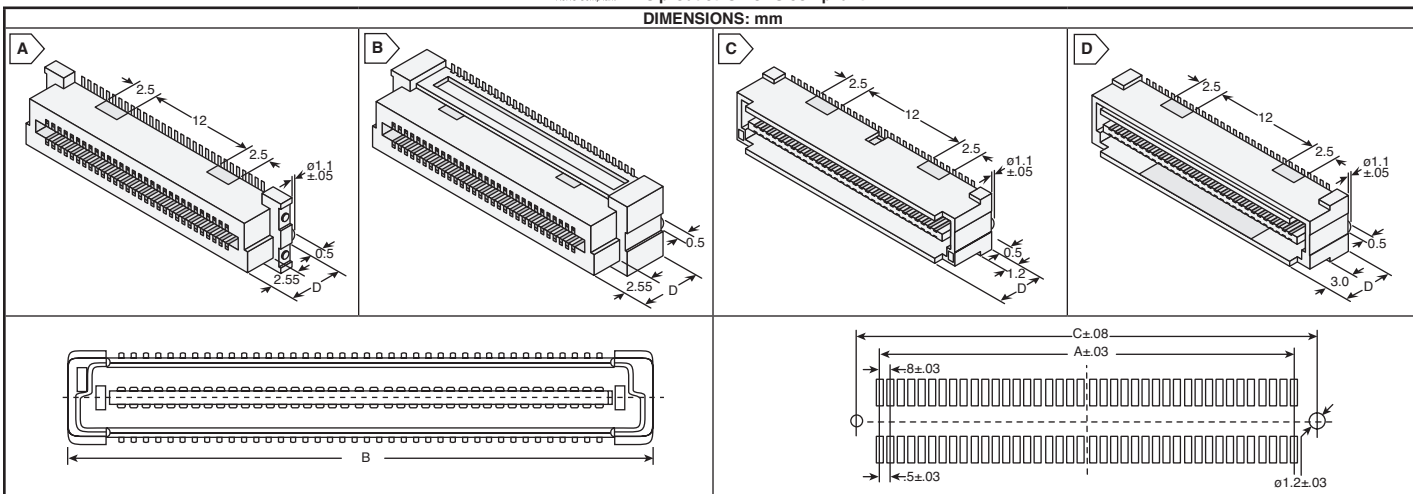
For use with .093" Pin and Socket Contacts

For quantities greater than listed, call for quote.

MOUSER STOCK NO.	TE Part No.	Fig.	Description	Price Each
571-908721	90872-1	C	Pro-Crimper III hand tool 24-18 AWG	267,45
571-908711	90871-1	C	Pro-Crimper III hand tool 20-14 AWG	270,36
571-3188371	318837-1	D	Contact extraction tool	101,52

TE 0.80mm Free Height Connectors

RoHS Compliant This product is RoHS compliant.



0.80MM FREE HEIGHT CONNECTORS FOR PARALLEL BOARD STACKING

TE 0.8mm FH surface mount connectors are designed for parallel board stacking applications using subminiature connectors to meet today's electronic industry requirements for high density packaging. It is possible to save more than 50% of the required board space when compared to conventional 1.27 [050] centerline connectors.

Features:

- Board stacking heights from 5mm [197] to 16mm [630] (in 1mm [039] increments)
- Surface mount solder leads permit fast assembly operation
- UL File No. E28476

Specifications:

- Voltage Rating: 100 VAC
- Current Rating: 0.5 ampere
- Contact Resistance: 30 milliohms max. (initial)
- Dielectric Withstanding Voltage: 500 VAC (1 minute)

Applications:

- Notebook PCs
- Pen Pads
- Cellular Telephones
- Operating Temperature: -40°C to +85°C (including terminal temp rise)
- Housing: High temperature thermoplastic, natural color, UL94V-0



TE Connectivity Rectangular Connectors

Vertical Receptacles

Features:

- Contacts: Beryllium copper duplex plated 0.00020 [0.00008] min. gold contact area, 0.00100 [0.00039] min. tin on solder area, with entire contact underplated 0.00130 [0.00051] min. nickel
- Preloaded with unique bellows-type spring contacts for reliable electrical connection with plugs
- Mates with Plugs-Series 177984, 179029, 179030 and 179031

For quantities greater than listed, call for quote.

MOUSER STOCK NO.	TE Part No.	Fig.	No. of Positions	Dimensions: mm (in.)				Price Each			
				A	B	C	D	1	25	50	100
5mm Receptacles for 5, 6, 7 and 8mm Stacking Heights											
571-5177983-1	5177983-1	A	40	15.20 (.598)	21.80 (.858)	20.20 (.795)	3.75 (1.48)	1.58	1.46	1.43	1.40
571-5177983-2	5177983-2	A	60	23.20 (.913)	29.80 (1.173)	28.20 (1.110)	3.75 (1.48)	5.09	4.79	4.18	3.82
571-5177983-3	5177983-3	A	80	31.20 (1.228)	37.80 (1.488)	36.20 (1.425)	3.75 (1.48)	2.73	2.53	2.47	2.42
571-5177983-4	5177983-4	A	100	39.20 (1.543)	45.80 (1.803)	44.20 (1.740)	3.75 (1.48)	3.21	3.14	3.05	2.97
571-5177983-5	5177983-5	A	120	47.20 (1.858)	53.80 (2.118)	52.20 (2.055)	3.75 (1.48)	3.59	3.45	3.37	3.30
571-5177983-6	5177983-6	A	140	55.20 (2.173)	61.80 (2.433)	60.20 (2.370)	3.75 (1.48)	4.01	3.91	3.85	3.78
9mm Receptacles for 9, 10, 11 and 12mm Stacking Heights											
571-5-5179009-1	5-5179009-1	B	40	15.20 (.598)	21.80 (.858)	20.20 (.795)	7.75 (.305)	1.51	1.41	1.38	1.35
571-5-5179009-2	5-5179009-2	B	60	23.20 (.913)	29.80 (1.173)	28.20 (1.110)	7.75 (.305)	3.40	2.99	2.56	2.29
571-5-5179009-5	5-5179009-5	B	120	47.20 (1.858)	53.80 (2.118)	52.20 (2.055)	7.75 (.305)	3.51	3.45	3.39	3.32
571-5-5179009-6	5-5179009-6	B	140	55.20 (2.173)	61.80 (2.433)	60.20 (2.370)	7.75 (.305)	4.01	3.95	3.85	3.75
13mm Receptacles for 13, 14, 15 and 16mm Stacking Heights											
571-5-5179010-1	5-5179010-1	B	40	15.20 (.598)	21.80 (.858)	20.20 (.795)	11.75 (.463)	1.65	1.53	1.51	1.48
571-5-5179010-2	5-5179010-2	B	60	23.20 (.913)	29.80 (1.173)	28.20 (1.110)	11.75 (.463)	2.61	2.51	2.47	2.42
571-5-5179010-3	5-5179010-3	B	80	31.20 (1.228)	37.80 (1.488)	36.20 (1.425)	11.75 (.463)	2.72	2.53	2.45	2.39
571-5-5179010-4	5-5179010-4	B	100	39.20 (1.543)	45.80 (1.803)	44.20 (1.740)	11.75 (.463)	3.31	3.22	3.15	3.06
571-5-5179010-5	5-5179010-5	B	120	47.20 (1.858)	53.80 (2.118)	52.20 (2.055)	11.75 (.463)	3.51	3.45	3.39	3.32
571-5-5179010-6	5-5179010-6	B	140	55.20 (2.173)	61.80 (2.433)	60.20 (2.370)	11.75 (.463)	4.01	3.97	3.93	3.91

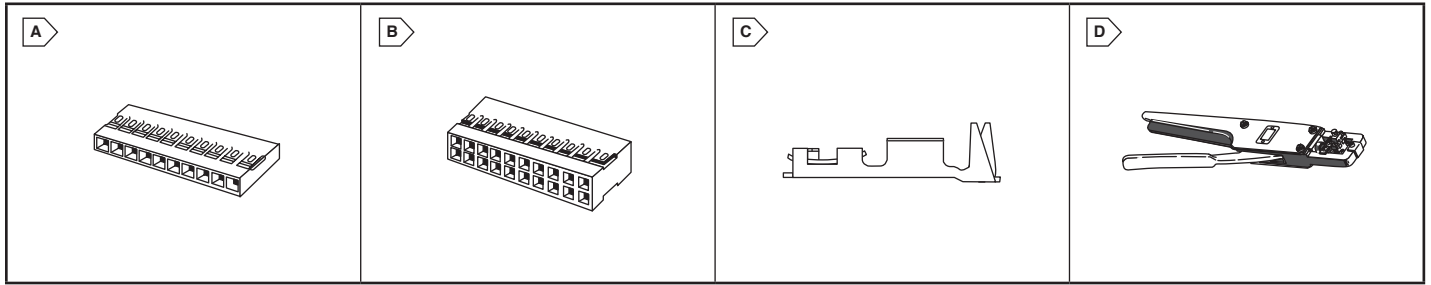
Vertical Plugs

Features:

- Contacts: Brass, duplex plated 0.00020" min gold on contact area, 0.00100" min tin on solder area, with entire contact underplated 0.00130" min. nickel.
- Mates with Receptacles Series 177983, 179009 and 179010

5mm Plugs for 5,9 and 13mm Stacking Heights											
571-5177984-1	5177984-1	C	40	15.20 (.598)	21.80 (.858)	20.20 (.795)	4.60 (.181)	1.55	1.44	1.42	1.39
571-5177984-3	5177984-3	C	80	31.20 (1.228)	37.80 (1.488)	36.20 (1.425)	4.60 (.181)	2.87	2.65	2.57	2.53
571-5177984-5	5177984-5	C	120	47.20 (1.858)	53.80 (2.118)	52.20 (2.055)	4.60 (.181)	4.06	3.75	3.65	3.59
571-5177984-6	5177984-6	C	140	55.20 (2.173)	61.80 (2.433)	60.20 (2.370)	4.60 (.181)	4.52	4.16	4.08	3.98
6mm Plugs for 6,10 and 14mm Stacking Heights											
571-5179029-1	5179029-1	D	40	15.20 (.598)	21.80 (.858)	20.20 (.795)	5.60 (.220)	2.53	2.46	2.40	2.29
571-5179029-2	5179029-2	D	60	23.20 (.913)	29.80 (1.173)	28.20 (1.110)	5.60 (.220)	3.02	2.95	2.87	2.72
571-5179029-3	5179029-3	D	80	31.20 (1.228)	37.80 (1.488)	36.20 (1.425)	5.60 (.220)	3.36	3.28	3.15	3.06
571-5179029-4	5179029-4	D	100	39.20 (1.543)	45.80 (1.803)	44.20 (1.740)	5.60 (.220)	4.04	3.98	3.85	3.65
571-5179029-5	5179029-5	D	120	47.20 (1.858)	53.80 (2.118)	52.20 (2.055)	5.60 (.220)	4.06	3.75	3.65	3.59
571-5179029-6	5179029-6	D	140	55.20 (2.173)	61.80 (2.433)	60.20 (2.370)	5.60 (.220)	4.52	4.16	4.08	3.98
7mm Plugs for 7,11 and 15mm Stacking Heights											
571-5179030-1	5179030-1	D	40	15.20 (.598)	21.80 (.858)	20.20 (.795)	6.60 (.260)	2.53	2.40	2.20	1.85
571-5179030-2	5179030-2	D	60	23.20 (.913)	29.80 (1.173)	28.20 (1.110)	6.60 (.260)	2.67	2.41	2.22	2.09
571-5179030-4	5179030-4	D	100	39.20 (1.543)	45.80 (1.803)	44.20 (1.740)	6.60 (.260)	4.18	4.09	4.03	3.84
571-5179030-5	5179030-5	D	120	47.20 (1.858)	53.80 (2.118)	52.20 (2.055)	6.60 (.260)	4.77	4.60	4.53	4.28
8mm Plugs for 8,12 and 16mm Stacking Heights											
571-5179031-1	5179031-1	D	40	15.20 (.598)	21.80 (.858)	20.20 (.795)	7.60 (.300)	1.58	1.46	1.43	1.41
571-5179031-2	5179031-2	D	60	23.20 (.913)	29.80 (1.173)	28.20 (1.110)	7.60 (.300)	1.71	1.59	1.55	1.51
571-5179031-3	5179031-3	D	80	31.20 (1.228)	37.80 (1.488)	36.20 (1.425)	7.60 (.300)	3.65	3.59	3.46	3.31
571-5179031-4	5179031-4	D	100	39.20 (1.543)	45.80 (1.803)	44.20 (1.740)	7.60 (.300)	4.18	4.08	3.97	3.84
571-5179031-5	5179031-5	D	120	47.20 (1.858)	53.80 (2.118)	52.20 (2.055)	7.60 (.300)	3.59	3.45	3.37	3.30
571-5179031-6	5179031-6	D	140	55.20 (2.173)	61.80 (2.433)	60.20 (2.370)	7.60 (.300)	4.01	3.91	3.85	3.78

FCI PV™ Wire-to-Board Connector System



Innovative PV crimp-to-wire system connects discrete wire to PCBs. High-reliability dual metal wire receptacle contacts plug to industry standard .025 in. (.635mm) square or round posts. These contacts are used discretely or assembled into Mini-Latch™ wire housings for highly secure mating to economical, friction-gripping PCB headers.

MINI-LATCH™ HOUSINGS

Features:

- Made of modified polyphenylene oxide
- Rated UL 94V-1
- Color: black
- Insulation resistance: 1 x 10¹⁰ MΩ min.
- Temperature range: -40°C to +105°C
- .100" x .100" (2.54mm x 2.54mm) centers
- Mates with .100" vertical latching system
- Withstanding voltage: 100Vrms at sea level
- Latching force: 6.5lbs. min. per position
- Optional polarization plug
- RoHS compliant per FCI documentation



RoHS Compliant

MOUSER STOCK NO.	FCI Part No.	Fig.	No. of Positions	Length (In.)	Price Each			
					1	10	25	100
Single Row								
649-65039-036LF	65039-036LF	A	1	0.1	0,29	0,257	0,248	0,239
649-65039-035LF	65039-035LF	A	2	0.2	0,30	0,26	0,256	0,232
649-65039-034LF	65039-034LF	A	3	0.3	0,34	0,30	0,288	0,272
649-65039-033LF	65039-033LF	A	4	0.4	0,35	0,32	0,304	0,288
649-65039-032LF	65039-032LF	A	5	0.5	0,41	0,38	0,36	0,336
649-65039-031LF	65039-031LF	A	6	0.6	0,48	0,44	0,408	0,384
649-65039-030LF	65039-030LF	A	7	0.7	0,48	0,41	0,384	0,352
649-65039-029LF	65039-029LF	A	8	0.8	0,52	0,47	0,448	0,432
649-65039-027LF	65039-027LF	A	10	1.0	0,61	0,54	0,52	0,488
649-65039-025LF	65039-025LF	A	12	1.2	0,68	0,66	0,64	0,544
649-65039-023LF	65039-023LF	A	14	1.4	0,78	0,72	0,686	0,637
649-65039-012LF	65039-012LF	A	25	2.5	1,40	1,27	1,22	1,10
649-65039-001LF	65039-001LF	A	36	3.6	2,02	1,96	1,91	1,84
Polarized Single Row								
649-78211-003LF	78211-003LF	A	3	0.3	0,42	0,38	0,366	0,349
649-78211-004LF	78211-004LF	A	4	0.4	0,58	0,53	0,494	0,457
649-78211-005LF	78211-005LF	A	5	0.5	0,71	0,65	0,623	0,594
649-78211-006LF	78211-006LF	A	6	0.6	0,75	0,68	0,639	0,605
649-78211-007LF	78211-007LF	A	7	0.7	0,84	0,75	0,711	0,667
649-78211-008LF	78221-008LF	A	8	0.8	0,94	0,85	0,802	0,768
649-78211-012LF	78211-012LF	A	12	1.2	1,40	1,29	1,23	1,12
649-78211-014LF	78211-014LF	A	14	1.4	1,64	1,51	1,42	1,29
Double Row								
649-65043-035LF	65043-035LF	B	4	0.2	0,50	0,46	0,432	0,408
649-65043-034LF	65043-034LF	B	6	0.3	0,48	0,44	0,408	0,384
649-65043-033LF	65043-033LF	B	8	0.4	0,58	0,53	0,504	0,48
649-65043-032LF	65043-032LF	B	10	0.5	0,96	0,866	0,825	0,762
649-65043-031LF	65043-031LF	B	12	0.6	0,9	0,81	0,768	0,712
649-65043-030LF	65043-030LF	B	14	0.7	1,14	1,04	0,984	0,896
649-65043-029LF	65043-029LF	B	16	0.8	1,00	0,90	0,856	0,792
649-65043-028LF	65043-028LF	B	18	0.9	1,27	1,15	1,09	0,99
649-65043-027LF	65043-027LF	B	20	1.0	1,41	1,28	1,22	1,09
649-65043-025LF	65043-025LF	B	24	1.2	1,62	1,47	1,39	1,25
649-65043-024LF	65043-024LF	B	26	1.3	1,70	1,54	1,46	1,31
649-65043-022LF	65043-022LF	B	30	1.5	1,93	1,75	1,66	1,44
649-65043-020LF	65043-020LF	B	34	1.7	1,91	1,74	1,64	1,47
649-65043-017LF	65043-017LF	B	40	2.0	2,23	2,04	1,93	1,65
649-65043-012LF	65043-012LF	B	50	2.5	2,81	2,55	2,36	2,08
649-65043-007LF	65043-007LF	B	60	3.0	4,43	3,05	2,74	2,50
649-65043-005LF	65043-005LF	B	64	3.2	3,59	3,27	2,93	2,67
649-65043-001LF	65043-001LF	B	72	3.6	4,04	3,67	3,30	2,98
Polarized Double Row								
649-69176-006LF	69176-006LF	B	6	0.3	0,83	0,75	0,712	0,656
649-65846-015LF	65846-015LF	B	6	0.3	0,78	0,75	0,713	0,675
649-69176-008LF	69176-008LF	B	8	0.4	0,98	0,89	0,84	0,776
649-65846-016LF	65846-016LF	B	8	0.4	1,15	1,06	1,03	0,987
649-65846-010LF	65846-010LF	B	10	0.5	1,31	1,18	1,12	1,07
649-69176-010LF	69176-010LF	B	10	0.5	1,08	0,98	0,936	0,848
649-69176-012LF	69176-012LF	B	12	0.6	1,22	1,12	1,06	0,96
649-65846-017LF	65846-017LF	B	12	0.6	1,55	1,47	1,43	1,35
649-65846-007LF	65846-007LF	B	14	0.7	1,63	1,54	1,49	1,43
649-69176-014LF	69176-014LF	B	14	0.7	1,37	1,24	1,18	1,07
649-65846-011LF	65846-011LF	B	16	0.8	1,78	1,70	1,66	1,62
649-69176-016LF	69176-016LF	B	16	0.8	1,46	1,32	1,25	1,12
649-65846-008LF	65846-008LF	B	18	0.9	2,02	1,95	1,81	1,78
649-69176-020LF	69176-020LF	B	20	1.0	1,70	1,54	1,46	1,31
649-65846-006LF	65846-006LF	B	20	1.0	2,12	1,91	1,81	1,73
649-65846-001LF	65846-001LF	B	24	1.2	2,49	2,43	2,34	2,20
649-69176-028LF	69176-028LF	B	28	1.4	1,96	1,78	1,63	1,51
649-69176-030LF	69176-030LF	B	30	1.5	2,24	2,04	1,88	1,66
649-65846-002LF	65846-002LF	B	30	1.5	2,89	2,67	2,63	2,49
649-65846-003LF	65846-003LF	B	38	1.9	3,53	3,20	3,09	3,04
649-65846-004LF	65846-004LF	B	44	2.2	4,01	3,92	3,85	3,65
649-65846-005LF	65846-005LF	B	54	2.7	4,80	4,57	4,36	4,14

MINI-PV™ RECEPTACLE CONTACTS

- 1 = 30μ" gold over nickel with gold flash
- 2 = 15μ" gold over nickel with gold flash
- 3 = 40μ" gold over nickel with gold flash
- 4 = 100μ" tin



RoHS Compliant



- Mates with .019" and .025" round or square pins
- RoHS compliant per FCI documentation

For quantities greater than listed, call for quote.

MOUSER STOCK NO.	FCI Part No.	Fig.	AWG	Spring Force	Plating	Price Each			
						1	10	25	100
649-48266-000LF	48266-000LF	C	18-20	Standard	1	0,16	0,15	0,141	0,133
649-48233-000LF	48233-000LF	C	18-20	Ult High	1	0,16	0,14	0,128	0,12
649-47716-000LF	47716-000LF	C	18-20	High	4	0,35	0,322	0,305	0,297
649-48236-000LF	48236-000LF	C	22-26	Ult High	1	0,28	0,24	0,181	0,149
649-48257-000LF	48257-000LF	C	22-26	Ult High	2	0,19	0,17	0,152	0,136
649-47750-000LF	47750-000LF	C	22-26	Ult High	4	0,14	0,13	0,121	0,112
649-48254-000LF	48254-000LF	C	22-26	High	2	0,16	0,15	0,144	0,136
649-47715-000LF	47715-000LF	C	22-26	High	4	0,19	0,15	0,139	0,132
649-47712-000LF	47712-000LF	C	22-26	High	3	0,30	0,28	0,268	0,244
649-48234-000LF	48234-000LF	C	22-26	High	1	0,30	0,28	0,264	0,256
649-48235-000LF	48235-000LF	C	22-26	Standard	1	0,16	0,15	0,144	0,136
649-48251-000LF	48251-000LF	C	22-26	Standard	2	0,13	0,11	0,10	0,096
649-47747-000LF	47747-000LF	C	22-26	Standard	4	0,15	0,14	0,133	0,124
649-47743-000LF	47743-000LF	C	22-26	Standard	3	0,30	0,27	0,264	0,248
649-47745-000LF	47745-000LF	C	22-26	Ult High	3	0,30	0,27	0,264	0,248
649-48238-000LF	48238-000LF	C	28-32	Standard	1	0,16	0,15	0,141	0,133
649-48239-000LF	48239-000LF	C	28-32	Ult High	1	0,27	0,25	0,184	0,146
649-47748-000LF	47748-000LF	C	28-32	High	2	0,21	0,195	0,186	0,159
649-48237-000LF	48237-000LF	C	28-32	High	1	0,28	0,24	0,181	0,149
649-48252-000LF	48252-000LF	C	28-32	Standard	2	0,16	0,14	0,128	0,12

Rectangular Connectors FCI

HAND TOOLS

Lightweight, rugged hand tools have ratchet-action handle that assures complete crimp cycle. For application on crimp-to-wire PV receptacles and pins.

MOUSER STOCK NO.	FCI Part No.	Fig.	Description	AWG	Price Each
649-HT-73	HT-0073	D	Mini-PV™	18-20	599,35
649-HT-95	HT-0095	D	Mini-PV™	22-32	1112,43
649-HT-48	HT-0048	D	Maxi-PV™	22-26	777,51
649-HT-80	HT-0080	D	PV removal tool	- - -	12,21
649-HT-49	HT-0049	D	Maxi-PV™	18-20	615,19
649-HT-102	HT-0102	D	Pin contacts	22-32	846,63

POLARIZATION PLUG

Specifications:

- Material: Nylon UL94V-0, white
- Temperature Rating: -40°C to +105°C
- Use with Mini-Latch™ and Maxi-Latch™ housings
- RoHS compliant per FCI documentation



RoHS Compliant

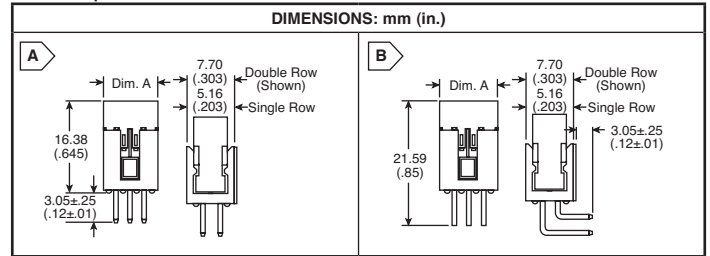
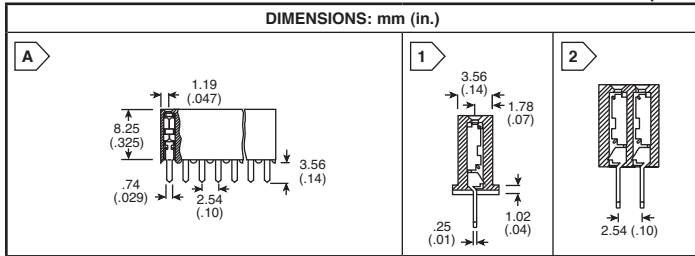
For quantities greater than listed, call for quote.

MOUSER STOCK NO.	FCI Part No.	Fig.	Description	Price Each			
				1	10	25	100
649-65307-001LF	65307-001LF	- -	Polarization Plug	0,89	0,842	0,754	0,612

FCI .100" Connectors and Shunts



RoHS Compliant This product is RoHS compliant.



.100" VERTICAL PCB MOUNTED RECEPTACLE ASSEMBLIES, THRU-MOUNT

Features:

- Designed for parallel board-to-board stacking on .100" x .100" (2.54mm x 2.54mm) centerlines
- Dual metal PV brass contacts duplex plated with 30µm gold in contact area, 100µm tin in solder area, and 50µm nickel underplated overall
- Beryllium copper thermoplastic polyester housings, rated UL 94V-0
- Spring member plated with gold flash
- Mate with .025" (0.64mm) square or round pins
- Tail Material: Tin
- RoHS compliant per FCI documentation
- Thru mount



For quantities greater than listed, call for quote.

MOUSER STOCK NO.	FCI Part No.	Fig.	No. of Pos.	Length mm (in.)	Price Each			
					1	25	50	100
Single Row .140" (3.56mm) Long Solder Tail								
649-66951-003LF	66951-003LF	A1	3	7.62 (.300)	0,68	0,62	0,58	0,554
649-66951-004LF	66951-004LF	A1	4	10.16 (.400)	1,16	0,965	0,858	0,806
649-66951-006LF	66951-006LF	A1	6	15.24 (.600)	1,20	1,09	1,04	0,982
649-66951-007LF	66951-007LF	A1	7	17.78 (.700)	1,20	1,01	0,883	0,833
649-66951-008LF	66951-008LF	A1	8	20.32 (.800)	1,20	1,08	1,04	0,946
649-66951-009LF	66951-009LF	A1	9	22.86 (.900)	3,04	2,81	2,65	2,42
649-66951-010LF	66951-010LF	A1	10	22.86 (1.00)	1,07	0,97	0,92	0,831
649-66951-012LF	66951-012LF	A1	12	30.48 (1.20)	2,10	1,85	1,82	1,65
649-66951-013LF	66951-013LF	A1	13	33.02 (1.30)	2,05	1,71	1,50	1,40
649-66951-014LF	66951-014LF	A1	14	35.56 (1.40)	1,82	1,60	1,57	1,40
649-66951-015LF	66951-015LF	A1	15	38.10 (1.50)	5,37	4,51	3,95	3,72
649-66951-016LF	66951-016LF	A1	16	40.64 (1.60)	2,28	1,97	1,82	1,76
649-66951-018LF	66951-018LF	A1	18	45.72 (1.70)	2,25	1,88	1,82	1,66
649-66951-032LF	66951-032LF	A1	32	81.28 (3.20)	5,51	4,63	4,05	3,82
649-66951-035LF	66951-035LF	A1	35	88.90 (3.50)	3,42	2,87	2,52	2,37
649-66951-036LF	66951-036LF	A1	36	91.44 (3.60)	6,28	5,26	4,62	4,35
Double Row .140" (3.56mm) Long Solder Tail								
649-66953-003LF	66953-003LF	A2	6	7.62 (.300)	1,01	0,842	0,74	0,701
649-66953-004LF	66953-004LF	A2	8	10.16 (.400)	2,16	1,97	1,87	1,77
649-66953-005LF	66953-005LF	A2	10	12.7 (.500)	1,38	1,25	1,18	1,09
649-66953-006LF	66953-006LF	A2	12	15.24 (.600)	2,15	1,95	1,85	1,68
649-66953-007LF	66953-007LF	A2	14	17.78 (.700)	1,91	1,68	1,62	1,49
649-66953-008LF	66953-008LF	A2	16	20.32 (.800)	1,37	1,21	1,12	1,05
649-66953-010LF	66953-010LF	A2	20	25.4 (1.00)	2,05	1,76	1,68	1,53
649-66953-012LF	66953-012LF	A2	24	30.48 (1.20)	2,88	2,42	2,35	2,13
649-66953-013LF	66953-013LF	A2	26	33.02 (1.30)	3,03	2,48	2,34	2,24
649-66953-014LF	66953-014LF	A2	28	35.56 (1.40)	2,68	2,19	2,08	1,98
649-66953-015LF	66953-015LF	A2	30	38.1 (1.50)	2,73	2,23	2,11	2,02
649-66953-016LF	66953-016LF	A2	32	40.64 (1.60)	3,08	2,85	2,65	2,23
649-66953-017LF	66953-017LF	A2	34	43.18 (1.70)	3,72	3,04	2,88	2,75
649-66953-020LF	66953-020LF	A2	40	50.8 (2.00)	4,33	3,44	3,35	3,15
649-66953-025LF	66953-025LF	A2	50	63.5 (2.50)	5,84	4,58	4,25	4,11
649-66953-030LF	66953-030LF	A2	60	76.2 (3.00)	3,97	3,13	3,07	2,80
649-66953-032LF	66953-032LF	A2	64	81.28 (3.20)	8,44	6,52	6,15	5,86

FCI Rectangular Connectors

VERTICAL LATCHING SYSTEM (2.54MM X 2.54MM / .100" X .100") CENTERLINES

Features:

- Mates to Mini-PV™ receptacles and drawn-wire pins for high reliability
- Single and double row configurations occupy minimal real estate
- RoHS compliant per FCI documentation
- Passive latching
- 0.025" (0.64mm) square pins

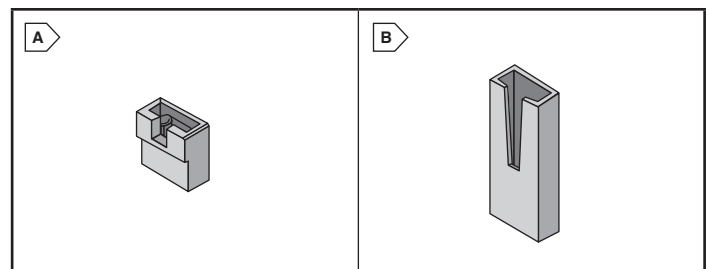
Specifications:

- Material: PCT (UL 94 V-0)
- Plating: 0.76µm (30µm) gold over 1.27µm (50µm) nickel
- Color: Black



For quantities greater than listed, call for quote.

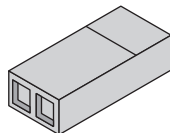
MOUSER STOCK NO.	FCI Part No.	Fig.	No. of Pos.	Dimension A mm (in.)	Price Each			
					1	25	50	100
Straight Header: Single Row								
649-69167-103HLF	69167-103HLF	A	3	7.62 (0.30)	2,94	2,68	2,50	2,42
649-69167-104HLF	69167-104HLF	A	4	10.16 (0.40)	3,24	2,95	2,81	2,66
649-69167-105HLF	69167-105HLF	A	5	12.70 (0.50)	3,55	3,23	3,04	2,91
649-69167-106HLF	69167-106HLF	A	6	15.24 (0.60)	0,50	0,45	0,42	0,408
649-69167-108HLF	69167-108HLF	A	8	20.32 (0.80)	0,61	0,56	0,52	0,495
Straight Header: Double Row								
649-69168-110HLF	69168-110HLF	A	10	12.70 (0.50)	0,81	0,74	0,70	0,647
649-69168-112HLF	69168-112HLF	A	12	15.24 (0.60)	5,80	5,30	4,99	4,75
Right Angle: Single Row								
649-78208-103HLF	78208-103HLF	B	3	7.62 (0.30)	0,27	0,25	0,23	0,224
649-78208-104HLF	78208-104HLF	B	4	10.16 (0.40)	0,36	0,33	0,31	0,297
649-78208-105HLF	78208-105HLF	B	5	12.70 (0.50)	0,48	0,43	0,405	0,39
649-78208-106HLF	78208-106HLF	B	6	15.24 (0.60)	0,79	0,72	0,68	0,647
Right Angle: Double Row								
649-78207-108HLF	78207-108HLF	B	8	10.16 (0.40)	1,44	1,31	1,23	1,17
649-78207-110HLF	78207-110HLF	B	10	12.70 (0.50)	0,49	0,45	0,427	0,404
649-78207-112HLF	78207-112HLF	B	12	15.24 (0.60)	0,75	0,68	0,632	0,594
649-78207-116HLF	78207-116HLF	B	16	20.32 (0.80)	1,01	0,91	0,82	0,785



SYSTEM MINI JUMP SHUNTS

Features:

- 1 Row: 2 Positions
- Reliable cost-effective alternatives to switches for on-board programming
- PV contacts have beryllium-copper springs to provide high retention and normal forces for excellent electrical performance after repeated cycle
- Stackable on 2.54mm (0.100") centers
- Closed top protects fingertips during application, but can be opened for inspection and testing
- Mates with .025" (0.64mm) square or round pins



Specifications:

- Housing: Thermoplastic polyester UL94V-0, Blue
- Contact: Body Material: Brass Spring Material: Beryllium-copper
- Current rating: 3 A max per contact
- Temperature rating: -55°C to +120°C
- RoHS compliant per FCI documentation



For quantities greater than listed, call for quote.

MOUSER STOCK NO.	FCI Part No.	Plating	Color	Price Each			
				1	100	500	1000
649-65474-001LF	65474-001LF	15µm Au	White	0,24	0,20	0,167	0,158
649-65474-002LF	65474-002LF	100µm tin	White	0,12	0,10	0,075	0,067
649-65474-010LF	65474-010LF	30µm Au	White	0,16	0,15	0,12	0,112
649-65474-004LF	65474-004LF	Au flash	White	0,29	0,26	0,24	0,232
649-63429-202LF	63429-202LF	30µm Au	Blue	0,12	0,08	0,062	0,054

© Copyright 2012 Mouser Electronics

1330

mouser.com/fci

All Prices
In EURO

LOW-PROFILE SHUNT JUMPER SYSTEM

Features:

- Economical, stackable jumper systems are applicable for bussing, programming and switch replacement.
- Standard two-position for .100" centers.
- Low-profile shunt stands .200" above PC board.
- Dual-beam, phosphor-bronze contacts, and black glass-filled thermoplastic polyester housing, rated UL94V-0.
- Shunts mate with .025" (0.64mm) square and round pins.
- RoHS compliant per FCI documentation

For quantities greater than listed, call for quote.

MOUSER STOCK NO.	FCI Part No.	Fig.	Plating	Price Each			
				1	100	500	1000
Low Profile							
649-68786-102LF	68786-102LF	A	15µm gold	0,10	0,09	0,086	0,079
649-68786-202LF	68786-202LF	A	30µm gold	0,16	0,11	0,089	0,076
649-68786-302LF	68786-302LF	A	100µm pure tin	0,19	0,10	0,077	0,066
High Body							
649-71363-102LF	71363-102LF	B	15µm gold	0,12	0,09	0,069	0,061
649-71363-202LF	71363-202LF	B	30µm gold	0,17	0,12	0,10	0,097
649-71363-302LF	71363-302LF	B	100µm pure tin	0,12	0,11	0,104	0,095

© Copyright 2012 Mouser Electronics

EUsales@mouser.com

FCI .100" x .100" (2.54mm x 2.54mm) Connectors



QUICKIE™ IDC 4-WALL VERTICAL THRU MOUNT HEADERS

- Color: Black
- Tail length: 3.05mm (0.120")
- Temperature range: -65°C to +125°C
- Current rating: 3A continuous

This product is RoHS compliant.

Vertical Slimline Shrouded Headers

- Housing material: Glass-filled thermoplastic polyester
- Housing style: Low-profile
- Insulation resistance: 10,000MΩ
- RoHS compliant per FCI documentation



RoHS Compliant

For quantities greater than listed, call for quote.

MOUSER STOCK NO.	FCI Part No.	Fig.	No. of Pos.	Polarization Style	Withstand Voltage (VAC rms)	Contact Area Plating 0.76µm (30µ")	Price Each			
							1	25	50	100
* 649-66506-001LF	66506-001LF	A	10	1	500	Gold	0,77	0,70	0,664	0,63
* 649-66506-066LF	66506-066LF	A	10	1	500	GXT	0,40	0,38	0,36	0,336
649-66506-119LF	66506-119LF	A	10	3	500	GXT	0,89	0,81	0,77	0,734
* 649-66506-038LF	66506-038LF	A	14	2	500	Gold	1,16	1,12	1,10	1,04
649-66506-043LF	66506-043LF	A	16	4	500	Gold	0,78	0,74	0,728	0,696
649-66506-008LF	66506-008LF	A	20	4	500	Gold	1,41	1,37	1,33	1,28
* 649-66506-053LF	66506-053LF	A	40	4	500	GXT	1,89	1,83	1,79	1,71
649-66506-031LF	66506-031LF	A	50	4	500	Gold	1,86	1,79	1,74	1,69

*Tail Length: 2.67mm (0.105")

Straight Eject Latch Headers

- Board thickness: 2.36mm (0.093")
- Tail plating: 2.54µm (100µ") Tin
- Housing material: High temperature thermoplastic
- Mating data: All Quickie™ receptacles, select discrete wiring mini-latch housings
- Insulation resistance: 10,000MΩ min.
- RoHS compliant per FCI documentation



RoHS Compliant

For quantities greater than listed, call for quote.

MOUSER STOCK NO.	FCI Part No.	Fig.	No. of Pos.	Header Style	Withstand Voltage (VAC rms)	Contact Area Plating 0.38µm (15µ")	Price Each			
							1	25	50	100
649-53611-S10-4LF	53611-S10-4LF	B	10	1	1500 min.	Gold	3,70	3,62	3,44	3,29
649-53611-S14-4LF	53611-S14-4LF	B	14	2	1500 min.	Gold	1,91	1,73	1,65	1,56
649-53611-S20-4LF	53611-S20-4LF	B	20	3	1500 min.	Gold	2,84	2,59	2,45	2,33
649-53611-S26-4LF	53611-S26-4LF	B	26	3	1500 min.	Gold	3,21	2,92	2,77	2,63

QUICKIE™ SHROUDED LOW PROFILE HEADERS

- Recessed pins assure proper alignment and eliminate damage during mating
- End windows for latching with IDC receptacle
- Housing material: Glass-filled thermoplastic polyester
- Current rating: 3A continuous
- Insulation resistance: 10,000MΩ
- Dielectric withstanding voltage: 500V min
- Temperature range: -65°C to +125°C
- Contact Area Plating: 0.76µm (30µ")
- Tail Area Plating: 3.81µm (150µ")
- RoHS compliant per FCI documentation



RoHS Compliant

For quantities greater than listed, call for quote.

MOUSER STOCK NO.	FCI Part No.	Fig.	No. of Pos.	Contact Area Plating	Tail Area Plating	Withstand Voltage (VAC rms)	Price Each			
							1	25	50	100
649-75869-130LF	75869-130LF	C	4	Gold	Tin	500	0,30	0,28	0,269	0,254
649-75869-131LF	75869-131LF	C	6	Gold	Tin	500	0,33	0,30	0,28	0,269
649-75869-132LF	75869-132LF	C	8	Gold	Tin	500	0,35	0,34	0,32	0,315
649-75869-103LF	75869-103LF	C	16	Gold	Tin	500	0,74	0,67	0,62	0,585
649-75869-101LF	75869-101LF	C	20	Gold	Tin	500	0,89	0,824	0,789	0,682
649-75869-104LF	75869-104LF	C	20	Gold	Tin	500	0,66	0,60	0,57	0,533

Right Angle Through Mount Headers

- RoHS compliant per FCI documentation

For quantities greater than listed, call for quote.

MOUSER STOCK NO.	FCI Part No.	Fig.	No. of Pos.	Contact Area Plating	Tail Area Plating	Withstand Voltage (VAC rms)	Price Each			
							1	25	50	100
649-75867-131LF	75867-131LF	C	6	Gold	Tin	500	0,36	0,32	0,308	0,292
649-75867-132LF	75867-132LF	C	8	Gold	Tin	500	0,42	0,39	0,362	0,345
649-75867-101LF	75867-101LF	C	10	Gold	Tin	500	0,47	0,43	0,41	0,39
649-75867-103LF	75867-103LF	C	16	Gold	Tin	500	1,01	0,916	0,866	0,807
649-75867-104LF	75867-104LF	C	20	Gold	Tin	500	0,69	0,62	0,57	0,548

QUICKIE™ "EYE OF NEEDLE" HEADERS

- Housings: Glass filled polyester, blue. UL94V-0
- Contact base metal: Phosphor-bronze
- Contact finish: 0.76µm (30µ") gold or GXT over 1.27µm (50µ") nickel
- Temperature range: -65°C to +125°C
- RoHS Compliant per FCI documentation
- Current rating: 3A continuous
- Withstanding voltage: >1,000V RMS (at sea level)
- Insulation resistance: 1,000MΩ
- Mates with Quickie® IDC series 71600



RoHS Compliant

For quantities greater than listed, call for quote.

MOUSER STOCK NO.	Mfr. Part No.	Fig.	No. of Pos.	Orientation	Strain Relief	Mounting Type	Price Each			
							1	25	50	100
Low Profile Headers										
649-10073456-001LF		D	10	Vertical	No	Thru-Hole	1,99	1,79	1,69	1,63
649-10073456-019LF		D	20	Vertical	No	Thru-Hole	2,53	2,28	2,15	2,07
649-10073456-025LF		D	24	Vertical	No	Thru-Hole	2,76	2,49	2,34	2,26
649-10073456-038LF		D	30	Vertical	No	Thru-Hole	4,22	3,32	3,20	3,03
649-10073456-049LF		D	40	Vertical	No	Thru-Hole	3,84	3,45	3,25	3,14
Eject Latch Headers										
649-10080054-007LF		E	10	Vertical	No	Thru-Hole	2,57	2,32	2,18	2,10
649-10080054-043LF		E	14	Vertical	No	Thru-Hole	2,57	2,32	2,18	2,10
649-10080054-079LF		E	20	Vertical	No	Thru-Hole	3,65	3,28	3,09	2,99
649-10080054-115LF		E	26	Vertical	No	Thru-Hole	3,49	3,14	2,96	2,85

© Copyright 2012 Mouser Electronics

© Copyright 2012 Mouser Electronics

A

Polarization Styles:

B

Header Styles:

C

Vertical

Right Angle

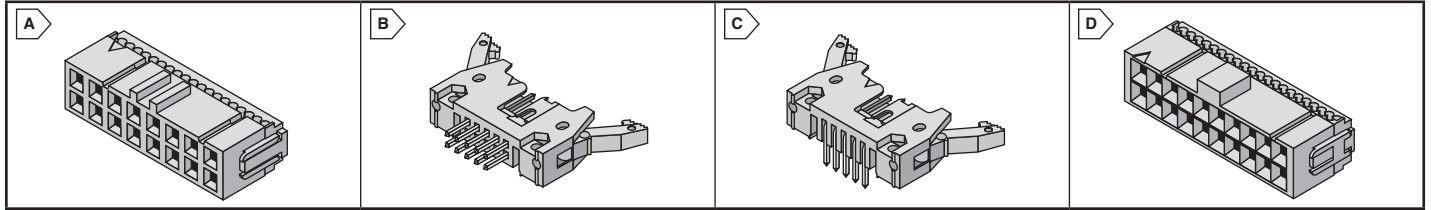
D

E

FCI Quickie™ Connectors and Headers



RoHS Compliant This product is RoHS compliant.



QUICKIE™ IDC SINGLE BEAM RECEPTACLES

- Contact area plating: 0.76µm (30µ") gold
- Housing Material: Glass-filled thermoplastic polyester
- Color: Gray
- Withstanding voltage: 1000VAC rms
- Current rating: 1A continuous

Dual Cable Entry

Specifications:

- Cable entry: Dual
- Insulation resistance: 50,000MΩ
- Temperature range: -65°C to +105°C
- RoHS Compliant per FCI documentation
- Contact underplating: 1.27µm (50µ") nickel
- Contact resistance: 15mΩ max.
- Contact base material: Copper alloy



RoHS Compliant

MOUSER STOCK NO.	FCI Part No.	Fig.	No. of Positions	Polarization Style	Strain Relief	Central Key	Price Each			
							1	25	50	100
649-71600-004LF	71600-004LF	A	4	Center	Yes	Yes	0,45	0,44	0,423	0,40
649-71600-104LF	71600-104LF	A	4	Center	No	Yes	0,39	0,355	0,342	0,332
649-71600-006LF	71600-006LF	A	6	Center	Yes	Yes	0,41	0,37	0,354	0,331
649-71600-106LF	71600-106LF	A	6	Center	No	Yes	0,55	0,497	0,474	0,445
649-71600-306LF	71600-306LF	A	6	Dual	Yes	No	1,13	1,03	0,982	0,916
649-71600-106LF	71600-106LF	A	6	Center	No	Yes	0,55	0,497	0,474	0,445
649-71600-008LF	71600-008LF	A	8	Center	Yes	Yes	0,46	0,45	0,423	0,408
649-71600-108LF	71600-108LF	A	8	Center	No	Yes	0,83	0,798	0,78	0,691
649-71600-308LF	71600-308LF	A	8	Dual	Yes	No	0,76	0,691	0,665	0,648
649-71600-010LF	71600-010LF	A	10	Center	Yes	Yes	0,77	0,68	0,658	0,58
649-71600-310LF	71600-310LF	A	10	Dual	Yes	No	0,56	0,51	0,49	0,456
649-71600-014LF	71600-014LF	A	14	Center	Yes	Yes	0,56	0,51	0,49	0,456
649-71600-314LF	71600-314LF	A	14	Dual	Yes	No	0,78	0,753	0,729	0,701
649-71600-016LF	71600-016LF	A	16	Center	Yes	Yes	0,74	0,66	0,63	0,578
649-71600-116LF	71600-116LF	A	16	Center & Dual	No	Yes	1,04	0,949	0,899	0,825
649-71600-020LF	71600-020LF	A	20	Center	Yes	Yes	0,64	0,57	0,488	0,456
649-71600-220LF	71600-220LF	A	20	Center & Dual	Yes	Yes	1,06	0,941	0,899	0,866
649-71600-026LF	71600-026LF	A	26	Center	Yes	Yes	1,61	1,46	1,39	1,25
649-71600-034LF	71600-034LF	A	34	Center	Yes	Yes	1,21	1,06	1,04	0,946
649-71600-040LF	71600-040LF	A	40	Center	Yes	Yes	1,13	1,03	0,97	0,889
649-71600-640LF	71600-640LF	A	40	Center & Dual	Yes	Yes	2,15	1,89	1,38	1,22
649-71600-050LF	71600-050LF	A	50	Center	Yes	Yes	1,33	1,15	1,13	1,03
649-71600-650LF	71600-650LF	A	50	Center & Dual	Yes	Yes	1,72	1,55	1,48	1,46
649-71600-060LF	71600-060LF	A	60	Center	Yes	Yes	1,98	1,94	1,91	1,80
649-71600-064LF	71600-064LF	A	64	Center	Yes	Yes	1,71	1,55	1,47	1,39

Eject Latch Headers, Standard Polarization

Specifications:

- Tail length: 2.90mm (.114")
- Standard Polarization
- Temperature range: -65°C to +125°C
- RoHS Compliant per FCI documentation
- Tail plating: 3.81µm (150µ") Tin
- Insulation resistance: 100,000MΩ
- Housing style: Eject



For quantities greater than listed, call for quote.

MOUSER STOCK NO.	FCI Part No.	Fig.	No. of Positions	Polarization Style	Strain Relief	Central Key	Price Each			
							1	25	50	100
Vertical Through Mount										
649-71918-106LF	71918-106LF	B	6	Straight	Yes	No	0,81	0,59	0,561	0,506
649-71918-108LF	71918-108LF	B	8	Straight	Yes	No	0,75	0,68	0,653	0,598
649-71918-110LF	71918-110LF	B	10	Straight	Yes	No	0,68	0,62	0,58	0,558
649-71918-114LF	71918-114LF	B	14	Straight	Yes	No	0,94	0,92	0,892	0,854
649-71918-116LF	71918-116LF	B	16	Straight	Yes	Yes	1,01	0,924	0,883	0,815
649-71918-120LF	71918-120LF	B	20	Straight	Yes	Yes	1,01	0,924	0,875	0,794
649-71918-126LF	71918-126LF	B	26	Straight	Yes	Yes	1,13	1,01	0,957	0,883
649-71918-134LF	71918-134LF	B	34	Straight	Yes	Yes	1,54	1,37	1,30	1,18
649-71918-140LF	71918-140LF	B	40	Straight	Yes	Yes	1,76	1,55	1,52	1,30
649-71918-150LF	71918-150LF	B	50	Straight	Yes	Yes	2,09	1,79	1,67	1,56
649-71918-160LF	71918-160LF	B	60	Straight	Yes	Yes	2,76	1,89	1,79	1,69
649-71918-164LF	71918-164LF	B	64	Straight	Yes	Yes	2,07	2,00	1,97	1,88
Right Angle Through Mount										
649-71922-106LF	71922-106LF	C	6	Right Angle	Yes	No	0,64	0,55	0,52	0,467
649-71922-108LF	71922-108LF	C	8	Right Angle	Yes	No	0,62	0,60	0,58	0,551
649-71922-110LF	71922-110LF	C	10	Right Angle	Yes	No	0,77	0,699	0,667	0,634
649-71922-116LF	71922-116LF	C	16	Right Angle	Yes	Yes	1,82	1,09	1,07	0,954
649-71922-120LF	71922-120LF	C	20	Right Angle	Yes	Yes	1,16	1,05	0,957	0,908
649-71922-134LF	71922-134LF	C	34	Right Angle	Yes	Yes	1,17	1,03	0,95	0,894
649-71922-140LF	71922-140LF	C	40	Right Angle	Yes	Yes	1,37	1,18	1,09	1,06
649-71922-150LF	71922-150LF	C	50	Right Angle	Yes	Yes	1,71	1,48	1,41	1,28

QUICKIE™ IDC DUAL-BEAM RECEPTACLES

Round Conductor, Flat Cable IDC Connectors

- Housing material: Glass-filled thermoplastic polyester
- Contact area plating: 0.76µm (30µ") Gold
- Color: Blue
- Withstand Voltage (VAC): 1000
- Insulation resistance: 50,000MΩ
- Current rating: 1A continuous
- Temperature range: -65°C to +105°C
- Contact resistance: 15mΩ max
- Mating data: Mates with 0.64mm (0.025") square or round pin from 4.32mm (0.170") min to 6.35mm (0.25") max. A nominal 5.84mm (0.23") is recommended
- Dual wire entry
- Double-scalloped cable slot assists accurate positioning of the cable over the contacts
- RoHS compliant per FCI documentation



RoHS Compliant

MOUSER STOCK NO.	FCI Part No.	Fig.	No. of Positions	Polarization Style	Strain Relief	Price Each			
						1	25	50	100
649-66900-310LF	66900-310LF	D	10	Center	No	1,19	1,11	1,06	0,984
649-66900-214LF	66900-214LF	D	14	Center	Yes	1,53	1,40	1,32	1,25
649-66900-220LF	66900-220LF	D	20	Center & Dual	Yes	2,60	2,52	2,36	2,25
649-66900-026LF	66900-026LF	D	26	Dual	Yes	2,83	2,79	2,66	2,54
649-66900-226LF	66900-226LF	D	26	Center & Dual	Yes	2,79	2,54	2,40	2,27
649-66900-234LF	66900-234LF	D	34	Center & Dual	Yes	3,78	3,61	3,50	3,32
649-66900-040LF	66900-040LF	D	40	Dual	Yes	4,21	3,84	3,64	3,45
649-66900-240LF	66900-240LF	D	40	Center & Dual	Yes	4,27	3,89	3,70	3,51
649-66900-250LF	66900-250LF	D	50	Center & Dual	Yes	5,34	5,14	4,90	4,85

FCI .100" Dubox™ Connectors



RoHS Compliant This product is RoHS compliant.



VERTICAL PCB MOUNTED RECEPTACLE ASSEMBLIES LOW PROFILE, THRU-MOUNT

- Top entry PC board mount receptacles can be stacked side-by-side on .100" centerlines
- Preloaded dual cantilever beam phosphor bronze contacts plated with 30µ" gold in contact area
- 100µ" tin in solder area and 50µ" nickel underplated overall
- Molded housings: Rated UL 94V-O, feature beveled "lead-in" ramps to prevent pin-stubbing
- Solder tail length: .115"
- Mate with .025" square pins

For quantities greater than listed, call for quote.

MOUSER STOCK NO.	FCI Part No.	Fig.	No. of Positions	Price Each			
				1	25	50	100
Top-Entry, Single-Row, Black							
649-68685-306LF	68685-306LF	A	6	1,31	1,25	1,19	1,14
649-68685-308LF	68685-308LF	A	8	2,13	1,34	1,28	1,21
649-68685-310LF	68685-310LF	A	10	2,16	1,97	1,86	1,75
649-68685-314LF	68685-314LF	A	14	2,32	2,24	2,15	2,11
649-68685-316LF	68685-316LF	A	16	2,40	2,18	2,07	1,96
649-68685-317LF	68685-317LF	A	17	2,49	2,27	2,16	2,04
649-68685-320LF	68685-320LF	A	20	2,74	2,49	2,37	2,24
Top-Entry, Single-Row, Blue							
649-75915-306LF	75915-306LF	A	6	0,54	0,51	0,485	0,471
649-75915-308LF	75915-308LF	A	8	0,71	0,68	0,648	0,63
649-75915-310LF	75915-310LF	A	10	0,99	0,90	0,853	0,81
649-75915-312LF	75915-312LF	A	12	1,08	1,01	0,969	0,949
649-75915-320LF	75915-320LF	A	20	1,79	1,70	1,62	1,58
Top-Entry, Double-Row, Black							
649-68683-302LF	68683-302LF	B	4	0,45	0,41	0,39	0,369
649-68683-303LF	68683-303LF	B	6	0,92	0,83	0,792	0,747
649-68683-304LF	68683-304LF	B	8	1,07	0,97	0,92	0,874
649-68683-305LF	68683-305LF	B	10	0,97	0,88	0,80	0,744
649-68683-307LF	68683-307LF	B	14	1,68	1,54	1,39	1,30
649-68683-308LF	68683-308LF	B	16	1,90	1,74	1,58	1,47
649-68683-310LF	68683-310LF	B	20	1,58	1,44	1,37	1,30
649-68683-311LF	68683-311LF	B	22	2,00	1,82	1,73	1,64
649-68683-313LF	68683-313LF	B	26	1,87	1,83	1,79	1,62
649-68683-315LF	68683-315LF	B	30	2,78	2,59	2,36	2,17
649-68683-318LF	68683-318LF	B	36	2,86	2,60	2,47	2,34
649-68683-320LF	68683-320LF	B	40	3,19	3,08	3,01	2,83
649-68683-322LF	68683-322LF	B	44	4,65	4,25	3,85	3,59
649-68683-325LF	68683-325LF	B	50	6,38	3,62	3,44	3,26
649-68683-326LF	68683-326LF	B	52	4,70	4,23	4,03	3,60
649-68683-332LF	68683-332LF	B	64	7,59	6,91	6,56	6,21
649-68683-334LF	68683-334LF	B	68	4,54	4,12	3,92	3,71
649-68683-340LF	68683-340LF	B	80	7,54	6,40	5,81	5,53
Top-Entry, Double-Row, Blue							
649-87606-308LF	87606-308LF	B	16	1,42	1,29	1,20	1,08
Dual Entry, Double Row							
649-71991-306LF	71991-306LF	B	12	1,06	0,91	0,86	0,83
649-71991-308LF	71991-308LF	B	16	1,42	1,25	1,07	1,05
649-71991-313LF	71991-313LF	B	26	2,30	1,88	1,78	1,70
649-71991-315LF	71991-315LF	B	30	2,65	2,17	2,03	1,93
649-71991-320LF	71991-320LF	B	40	3,54	2,78	2,62	2,49

SMT LOW PROFILE RECEPTACLES - DOUBLE ROW

- The Dubox™ contact has a pre-stressed, dual beam design to enable low insertion force
- Floating solder tails self-center on circuit pads and assure coplanarity
- 4-wall contact design for signal protection
- RoHS Compliant per FCI documentation

649-89898-303LF	89898-303LF	C	6	0,487	0,58	0,53	0,487
649-89898-304ALF	89898-304ALF	C	8	0,796	0,88	0,84	0,796
649-89898-305LF	89898-305LF	C	10	1,12	1,28	1,20	1,12
649-89898-306ALF	89898-306ALF	C	12	1,08	1,19	1,13	1,08
649-89898-308ALF	89898-308ALF	C	16	1,38	1,53	1,46	1,38
649-89898-310ALF	89898-310ALF	C	20	1,68	1,87	1,78	1,68
649-89898-310LF	89898-310LF	C	20	1,91	2,21	2,05	1,91
649-89898-314LF	89898-314LF	C	28	1,88	2,23	2,07	1,88
649-89898-317LF	89898-317LF	C	34	2,95	3,30	3,20	2,95
649-89898-320LF	89898-320LF	C	40	2,68	3,18	2,96	2,68

SHROUDED HEADERS

For quantities greater than listed, call for quote.

Straight - Single Row							
649-76384-302LF	76384-302LF	D	2	0,28	0,257	0,248	0,239
649-76384-303LF	76384-303LF	D	3	0,36	0,328	0,319	0,293
649-76384-304LF	76384-304LF	D	4	0,43	0,381	0,372	0,346
649-76384-305LF	76384-305LF	D	5	0,51	0,47	0,44	0,42
649-76384-306LF	76384-306LF	D	6	0,55	0,497	0,479	0,452
649-76384-308LF	76384-308LF	D	8	0,78	0,683	0,621	0,586
649-76384-310LF	76384-310LF	D	10	0,83	0,754	0,719	0,674
Right Angle - Single Row							
649-76382-303LF	76382-303LF	E	3	0,34	0,31	0,296	0,279
Straight - Double Row							
649-76385-302LF	76385-302LF	F	4	0,53	0,479	0,461	0,417
649-76385-303LF	76385-303LF	F	6	0,73	0,612	0,588	0,55
649-76385-304LF	76385-304LF	F	8	0,62	0,57	0,54	0,503
649-76385-305LF	76385-305LF	F	10	0,75	0,67	0,64	0,589
649-76385-306LF	76385-306LF	F	12	0,86	0,78	0,74	0,668
649-76385-308LF	76385-308LF	F	16	1,03	0,94	0,893	0,814
649-76385-310LF	76385-310LF	F	20	1,30	1,14	1,06	1,03

HOUSINGS

For quantities greater than listed, call for quote.

Single Row							
649-65240-002LF	65240-002LF	G	2	0,12	0,11	0,10	0,083
649-65240-003LF	65240-003LF	G	3	0,14	0,13	0,124	0,115
649-65240-004LF	65240-004LF	G	4	0,17	0,14	0,12	0,119
649-65240-005LF	65240-005LF	G	5	0,20	0,18	0,168	0,152
649-65240-006LF	65240-006LF	G	6	0,20	0,19	0,18	0,167
649-65240-007LF	65240-007LF	G	7	0,24	0,22	0,209	0,20
649-65240-008LF	65240-008LF	G	8	0,31	0,27	0,256	0,239
649-65240-009LF	65240-009LF	G	9	0,31	0,28	0,267	0,259
649-65240-010LF	65240-010LF	G	10	0,35	0,32	0,31	0,301
Double Row							
649-65239-002LF	65239-002LF	H	4	0,18	0,17	0,158	0,15
649-65239-003LF	65239-003LF	H	6	0,20	0,19	0,184	0,175
649-65239-004LF	65239-004LF	H	8	0,27	0,26	0,25	0,234
649-65239-005LF	65239-005LF	H	10	0,34	0,33	0,317	0,30
649-65239-006LF	65239-006LF	H	12	0,42	0,38	0,363	0,336
649-65239-008LF	65239-008LF	H	16	0,53	0,48	0,451	0,434
649-65239-010LF	65239-010LF	H	20	0,69	0,63	0,601	0,559

CONTACTS

For quantities greater than listed, call for quote.

MOUSER STOCK NO.	FCI Part No.	Fig.	Wire AWG	Price Each			
				1	100	500	1000
649-76347-301LF	76347-301LF	-	22-30	0,10	0,081	0,075	0,072
649-76347-311LF	76347-311LF	-	20-22	0,17	0,098	0,08	0,071

TOOL

649-RCY21234	RCY21234	-	Crimp Tool	812,23
--------------	----------	---	------------	--------

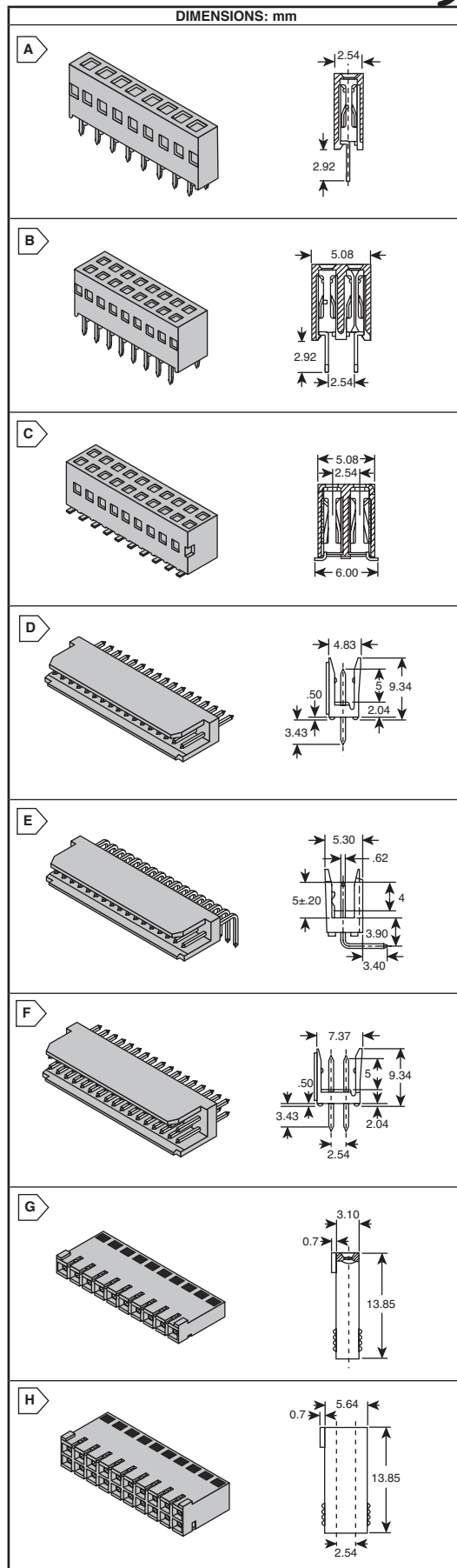
© Copyright 2012 Mouser Electronics

mouser.com/fci

All Prices
In EURO

EUsales@mouser.com

1333



Rectangular Connectors

FCI

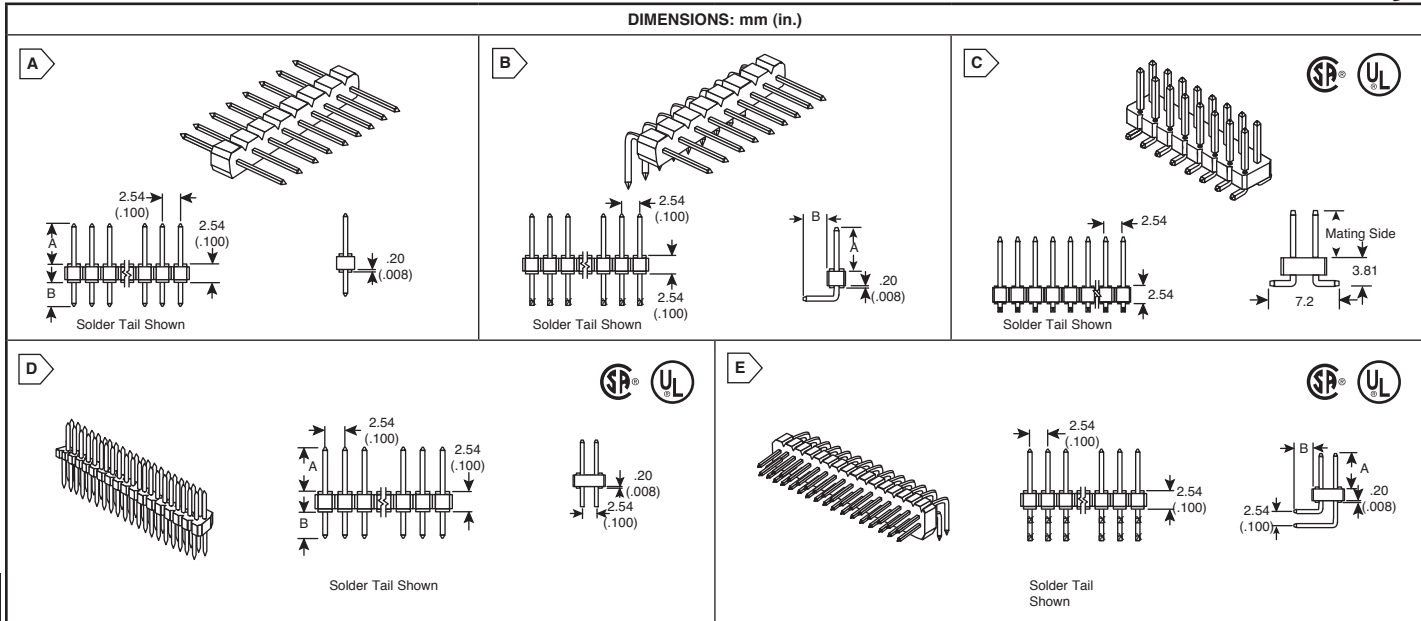
© Copyright 2012 Mouser Electronics

FCI BergStik™ Unshrouded Breakaway Headers



RoHS Compliant This product is RoHS compliant.

DIMENSIONS: mm (in.)



Features:

- "Breakaway" design can be cut or broken to length to suit application
- Centerline pin spacing: .100"
- Insulation resistance: 5000MQ min.
- Withstanding voltage: 1500VAC rms (sea level)
- Current rating: 3 amp continuous
- Temperature range: -65°C to +130°C
- 0.025" (0.64mm) square pins
- Mates with Duxbox Connectors
- RoHS compliant per FCI documentation

.100" SINGLE ROW HEADERS

MOUSER STOCK NO.	FCI Part No.	Fig.	No. of Pos.	Dimensions		Plating	Price Each		
				Mating End A	Tail End B		1	100	500
Straight Solder Tail									
649-68000-101HLF	68000-101HLF	A	1	0.23	0.095	30µ" Gold	0.13	0.10	0.088
649-68000-402HLF	68000-402HLF	A	2	0.23	0.095	100µ" Tin	1.07	0.98	0.92
649-68001-102HLF	68001-102HLF	A	2	0.23	0.12	30µ" Gold	0.11	0.097	0.086
649-68001-202HLF	68001-202HLF	A	2	0.23	0.12	15µ" Gold	0.12	0.11	0.104
649-68001-402HLF	68001-402HLF	A	2	0.23	0.12	100µ" Tin	0.59	0.54	0.504
649-68001-403HLF	68001-403HLF	A	3	0.23	0.12	100µ" Tin	0.45	0.41	0.405
649-68000-103HLF	68000-103HLF	A	3	0.23	0.095	30µ" Gold	0.17	0.14	0.128
649-68001-103HLF	68001-103HLF	A	3	0.23	0.12	30µ" Gold	0.12	0.11	0.10
649-68000-203HLF	68000-203HLF	A	3	0.23	0.095	15µ" Gold	0.07	0.053	0.047
649-68001-203HLF	68001-203HLF	A	3	0.23	0.12	15µ" Gold	0.13	0.12	0.112
649-68001-104HLF	68001-104HLF	A	4	0.23	0.12	30µ" Gold	0.15	0.14	0.136
649-68002-404HLF	68002-404HLF	A	4	0.23	0.15	100µ" Tin	0.08	0.07	0.06
649-68000-105HLF	68000-105HLF	A	5	0.23	0.095	30µ" Gold	0.20	0.18	0.176
649-68000-106HLF	68000-106HLF	A	6	0.23	0.095	30µ" Gold	0.19	0.168	0.141
649-68000-406HLF	68000-406HLF	A	6	0.23	0.095	100µ" Tin	1.15	1.11	1.087
649-68000-109HLF	68000-109HLF	A	9	0.23	0.095	30µ" Gold	0.34	0.31	0.296
649-68000-136HLF	68000-136HLF	A	36	0.23	0.095	30µ" Gold	0.76	0.69	0.656
649-68001-136HLF	68001-136HLF	A	36	0.23	0.12	30µ" Gold	1.07	0.97	0.919
649-68003-136HLF	68003-136HLF	A	36	0.23	0.195	30µ" Gold	1.39	1.26	1.20
649-68000-236HLF	68000-236HLF	A	36	0.23	0.095	15µ" Gold	0.82	0.74	0.704
649-68001-236HLF	68001-236HLF	A	36	0.23	0.12	15µ" Gold	0.68	0.62	0.592
649-68002-236HLF	68002-236HLF	A	36	0.23	0.15	15µ" Gold	0.90	0.81	0.76
649-78511-236HLF	78511-236HLF	A	36	0.318	0.12	15µ" Gold	1.21	1.11	1.05
649-68000-436HLF	68000-436HLF	A	36	0.23	0.095	100µ" Tin	0.38	0.35	0.32
649-68001-436HLF	68001-436HLF	A	36	0.23	0.12	100µ" Tin	0.56	0.51	0.483
649-78511-436HLF	78511-436HLF	A	36	0.318	0.12	100µ" Tin	0.74	0.639	0.568
649-69152-436HLF	69152-436HLF	A	36	0.30	0.12	100µ" Tin	0.85	0.78	0.73
Straight Retentive Solder Tail									
649-69190-202HLF	69190-202HLF	A	2	0.23	0.12	15µ" Gold	0.11	0.10	0.09
649-69190-402HLF	69190-402HLF	A	2	0.23	0.12	100µ" Tin	1.11	1.0	0.992
649-69190-403HLF	69190-403HLF	A	3	0.23	0.12	100µ" Tin	0.11	0.10	0.092
649-69190-204HLF	69190-204HLF	A	4	0.23	0.12	15µ" Gold	0.14	0.13	0.123
649-69190-405HLF	69190-405HLF	A	5	0.23	0.12	100µ" Tin	0.16	0.12	0.115
649-69190-210HLF	69190-210HLF	A	10	0.23	0.12	15µ" Gold	0.24	0.22	0.208
649-69190-236HLF	69190-236HLF	A	36	0.23	0.12	15µ" Gold	0.76	0.69	0.65
Right Angle Solder Tail									
649-68015-136HLF	68015-136HLF	B	36	0.23	0.09	30µ" Gold	1.01	0.92	0.87
649-68016-136HLF	68016-136HLF	B	36	0.23	0.12	30µ" Gold	1.11	1.00	0.95
649-68015-236HLF	68015-236HLF	B	36	0.23	0.09	15µ" Gold	0.85	0.78	0.73
649-68016-236HLF	68016-236HLF	B	36	0.23	0.12	15µ" Gold	0.91	0.83	0.79
649-68015-436HLF	68015-436HLF	B	36	0.23	0.09	100µ" Tin	0.93	0.85	0.80
649-68016-436HLF	68016-436HLF	B	36	0.23	0.12	100µ" Tin	0.61	0.55	0.52
Right Angle Retentive Solder Tail									
649-69191-403HLF	69191-403HLF	B	3	0.23	0.12	100µ" Tin	0.23	0.21	0.203
649-69191-205HLF	69191-205HLF	B	5	0.23	0.12	15µ" Gold	0.25	0.204	0.18

.100" DOUBLE ROW HEADERS

MOUSER STOCK NO.	FCI Part No.	Fig.	No. of Pos.	Dimensions		Plating	Price Each		
				Mating End A	Tail End B		1	100	500
Vertical SMT									
649-95278-101A20LF	95278-101A20LF	C	2	0.23	-	30µ" Gold	0.95	0.86	0.81
649-95278-101A04LF	95278-101A04LF	C	4	0.23	-	30µ" Gold	0.52	0.48	0.45
Right Angle Solder Tail									
649-68020-172HLF	68020-172HLF	E	72	0.23	0.095	30µ" Gold	2.13	1.94	1.85
649-68021-172HLF	68021-172HLF	E	72	0.23	0.12	30µ" Gold	2.01	1.83	1.74
649-67957-272HLF	79257-272HLF	E	72	0.23	0.12	15µ" Gold	2.95	2.68	2.55
649-68020-472HLF	68020-472HLF	E	72	0.23	0.095	100µ" Tin	1.70	1.64	1.60
649-68021-472HLF	68021-472HLF	E	72	0.23	0.12	100µ" Tin	1.74	1.58	1.50

.100" DOUBLE ROW HEADERS (CONT.)

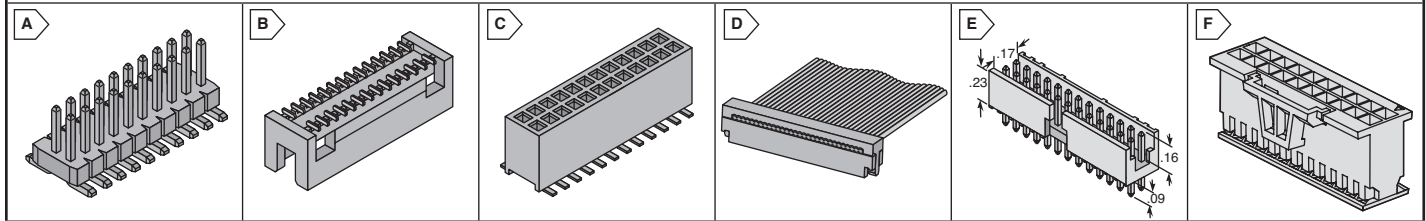
MOUSER STOCK NO.	FCI Part No.	Fig.	No. of Pos.	Dimensions		Plating	Price Each		
				Mating End A	Tail End B		1	100	500
Vertical SMT (Cont.)									
649-95278-101A06LF	95278-101A06LF	C	6	0.23	-	30µ" Gold	0.58	0.53	0.50
649-95278-101A08LF	95278-101A08LF	C	8	0.23	-	30µ" Gold	0.64	0.58	0.54
649-95278-101A10LF	95278-101A10LF	C	10	0.23	-	30µ" Gold	0.67	0.61	0.58
649-95278-101A12LF	95278-101A12LF	C	12	0.23	-	30µ" Gold	0.63	0.57	0.54
649-95278-101A16LF	95278-101A16LF	C	16	0.23	-	30µ" Gold	0.81	0.74	0.70
649-95157-240LF	95157-240LF	C	40	0.23	-	30µ" Gold	0.75	0.682	0.611
649-95157-440LF	95157-440LF	C	40	0.23	-	15µ" Gold	0.76	0.692	0.621
649-95157-440LF	95157-440LF	C	40	0.23	-	100µ" Tin	0.59	0.532	0.481
Straight Solder Tail									
649-67996-104HLF	67996-104HLF	D	4	0.23	0.095	30µ" Gold	0.14	0.13	0.12
649-67997-104HLF	67997-104HLF	D	4	0.23	0.12	30µ" Gold	0.14	0.13	0.12
649-67996-106HLF	67996-106HLF	D	6	0.23	0.095	30µ" Gold	0.24	0.22	0.20
649-67997-106HLF	67997-106HLF	D	6	0.23	0.12	30µ" Gold	1.12	1.02	0.96
649-68602-106HLF	68602-106HLF	D	6	0.23	0.15	30µ" Gold	0.18	0.14	0.136
649-67996-108HLF	67996-108HLF	D	8	0.23	0.095	30µ" Gold	2.00	1.77	1.57
649-67997-108HLF	67997-108HLF	D	8	0.23	0.12	30µ" Gold	0.34	0.31	0.296
649-67997-208HLF	67997-208HLF	D	8	0.23	0.12	15µ" Gold	0.20	0.19	0.184
649-67996-408HLF	67996-408HLF	D	8	0.23	0.095	100µ" Tin	1.14	1.03	1.122
649-67996-110HLF	67996-110HLF	D	10	0.23	0.095	30µ" Gold	0.35	0.32	0.304
649-67997-110HLF	67997-110HLF	D	10	0.23	0.12	30µ" Gold	1.66	1.51	1.43
649-68602-110HLF	68602-110HLF	D	10	0.23	0.15	30µ" Gold	0.27	0.25	0.244
649-67997-210HLF	67997-210HLF	D	10	0.23	0.12	15µ" Gold	0.23	0.186	0.16
649-68602-112HLF	68602-112HLF	D	12	0.23	0.15	30µ" Gold	0.28	0.26	0.245
649-67997-112HLF	67997-112HLF	D	12	0.23	0.12	30µ" Gold	0.36	0.33	0.312
649-67996-114HLF	67996-114HLF	D	14	0.23	0.095	30µ" Gold	0.36	0.33	0.31
649-67996-116HLF	67996-116HLF	D	16	0.23	0.095	30µ" Gold	0.55	0.50	0.472
649-67997-116HLF	67997-116HLF	D	16	0.23	0.12	30µ" Gold	0.66	0.60	0.568
649-68602-116HLF	68602-116HLF	D	16	0.23	0.15	30µ" Gold	0.46	0.43	0.41
649-67997-220HLF	67997-220HLF	D	20	0.23	0.12	15µ" Gold	0.75	0.648	0.586
649-67996-120HLF	67996-120HLF	D	20	0.23	0.095	30µ" Gold	0.50	0.45	0.42
649-67997-120HLF	67997-120HLF	D	20	0.23	0.12	30µ" Gold	3.28	2.99	2.84
649-68602-120HLF	68602-120HLF	D	20	0.23	0.15	30µ" Gold	0.50	0.46	0.425
649-68602-220HLF	68602-220HLF	D	20	0.23	0.15	15µ" Gold	0.46	0.384	0.352
649-67996-130HLF	67996-130HLF	D	30	0.23	0.095	30µ" Gold	1.10	0.99	0.944
649-68602-132HLF	68602-132HLF	D	32	0.23	0.15	30µ" Gold	0.62	0.52	0.464
649-67996-172HLF	67996-172HLF	D	72	0.23	0.095	30µ" Gold	1.61	1.47	1.40
649-67997-172HLF	67997-172HLF	D	72	0.23	0.12	30µ" Gold	1.53	1.39	1.32
649-68602-172HLF	68602-172HLF	D	72	0.23	0.15	30µ" Gold	1.52	1.38	1.31
649-68691-172HLF	68691-172HLF	D	72	0.318	0.12	30µ" Gold	1.41	1.28	1.22
649-67997-272HLF	67997-272HLF	D	72	0.23	0.12	15µ" Gold	1.27	1.16	1.10
649-67996-272HLF	67996-272HLF	D	72	0.23	0.095	15µ" Gold	1.18	1.07	1.02
649-67997-472HLF	67997-472HLF	D	72	0.23	0.12	100µ" Tin	0.41	0.39	0.38

FCI 1.27mm and 2.00mm Minitek Connectors



RoHS Compliant This product is RoHS compliant.

DIMENSIONS: in.



MINITEK 127 BOARD TO BOARD CONNECTORS

Specifications:

- Pitch: 1.27mm
- Contact Resistance: 30m ohms Max
- Voltage Rating: 125V AC
- Current rating: 1A per contact
- Insulation Resistance: 100M ohms Min at 50V DC/2 minute
- Operating Temperature: -40°C to +85°C

For quantities greater than listed, call for quote.

MOUSER STOCK NO.	FCI Part No.	Fig.	Number of Positions	Contact Plating	Price Each			
					1	25	50	100
Unshrouded Headers								
649-202112100004C4LF	20021121-00004C4LF	A	4	10µ" Gold	0,36	0,328	0,31	0,293
649-202112100006C4LF	20021121-00006C4LF	A	6	10µ" Gold	0,45	0,426	0,398	0,372
649-202112100008C4LF	20021121-00008C4LF	A	8	10µ" Gold	0,56	0,514	0,506	0,443
649-202112100010C4LF	20021121-00010C4LF	A	10	10µ" Gold	0,61	0,55	0,532	0,488
649-202112100012C4LF	20021121-00012C4LF	A	12	10µ" Gold	0,69	0,639	0,62	0,568
649-202112100016C4LF	20021121-00016C4LF	A	16	10µ" Gold	0,88	0,815	0,78	0,709
649-202112100020C4LF	20021121-00020C4LF	A	20	10µ" Gold	1,07	0,965	0,908	0,842
Shrouded Headers								
649-202122100006C4LF	20021221-00006C4LF	B	6	10µ" Gold	0,74	0,657	0,648	0,577
649-202122100010C4LF	20021221-00010C4LF	B	10	10µ" Gold	0,88	0,79	0,771	0,692
649-202122100012C4LF	20021221-00012C4LF	B	12	10µ" Gold	0,91	0,833	0,798	0,727
649-202122100016C4LF	20021221-00016C4LF	B	16	10µ" Gold	1,02	0,924	0,883	0,807
649-202122100020C4LF	20021221-00020C4LF	B	20	10µ" Gold	1,23	1,09	1,06	0,965
Receptacles								
649-202132100006C4LF	20021321-00006C4LF	C	6	10µ" Gold	0,63	0,577	0,55	0,523
649-202132100008C4LF	20021321-00008C4LF	C	8	10µ" Gold	0,66	0,612	0,586	0,55
649-202132100010C4LF	20021321-00010C4LF	C	10	10µ" Gold	0,72	0,648	0,629	0,585
649-202132100012C4LF	20021321-00012C4LF	C	12	10µ" Gold	0,84	0,762	0,73	0,683
649-202132100016C4LF	20021321-00016C4LF	C	16	10µ" Gold	1,09	0,998	0,932	0,883
649-202132100020C4LF	20021321-00020C4LF	C	20	10µ" Gold	1,33	1,23	1,16	1,07

MINITEK 2.00MM CONNECTORS

For quantities greater than listed, call for quote.

MOUSER STOCK NO.	FCI Part No.	Fig.	Number of Positions	Center Key Style	Contact Plating	Price Each			
						1	25	50	100
649-89361-108LF	89361-108LF	D	8	None	8µ" Gold	0,77	0,70	0,663	0,636
649-89361-114LF	89361-114LF	D	14	None	8µ" Gold	0,98	0,88	0,83	0,808
649-89361-116LF	89361-116LF	D	16	None	8µ" Gold	1,22	1,09	1,03	1,00
649-89361-120LF	89361-120LF	D	20	None	8µ" Gold	1,39	1,25	1,18	1,14
649-89361-126LF	89361-126LF	D	26	None	8µ" Gold	1,78	1,60	1,51	1,45
649-89361-134LF	89361-134LF	D	34	None	8µ" Gold	1,72	1,67	1,60	1,56
649-89361-144LF	89361-144LF	D	44	None	8µ" Gold	2,24	2,02	1,90	1,83
649-89361-150LF	89361-150LF	D	50	None	8µ" Gold	2,88	2,59	2,44	2,35
649-89947-106LF	89947-106LF	D	6	None	30µ" Gold	0,72	0,65	0,61	0,592
649-89947-110LF	89947-110LF	D	10	None	30µ" Gold	0,90	0,82	0,775	0,743
649-89947-112LF	89947-112LF	D	12	None	30µ" Gold	1,13	1,01	0,958	0,916
649-89947-114LF	89947-114LF	D	14	None	30µ" Gold	1,22	1,10	1,04	1,00
649-89947-118LF	89947-118LF	D	18	None	30µ" Gold	1,95	1,76	1,66	1,60
649-89947-120LF	89947-120LF	D	20	None	30µ" Gold	1,73	1,56	1,47	1,42
649-89947-126LF	89947-126LF	D	26	None	30µ" Gold	1,77	1,60	1,50	1,45
649-89947-144LF	89947-144LF	D	44	None	30µ" Gold	2,99	2,68	2,53	2,44
649-89947-340LF	89947-340LF	D	40	Standard	30µ" Gold	2,71	2,44	2,31	2,22
649-89947-350LF	89947-350LF	D	50	Standard	30µ" Gold	4,42	3,59	2,97	2,47
649-89947-706LF	89947-706LF	D	6	Latching	30µ" Gold	0,53	0,48	0,43	0,408
649-89947-708LF	89947-708LF	D	8	Latching	30µ" Gold	0,48	0,43	0,40	0,392
649-89947-710LF	89947-710LF	D	10	Latching	30µ" Gold	0,59	0,54	0,508	0,477
649-89947-712LF	89947-712LF	D	12	Latching	30µ" Gold	1,07	0,97	0,916	0,874
649-89947-716LF	89947-716LF	D	16	Latching	30µ" Gold	1,40	1,26	1,19	1,14
649-89947-718LF	89947-718LF	D	18	Latching	30µ" Gold	1,57	1,41	1,33	1,28
649-89947-720LF	89947-720LF	D	20	Latching	30µ" Gold	1,08	0,98	0,91	0,862
649-89947-724LF	89947-724LF	D	24	Latching	30µ" Gold	1,62	1,59	1,52	1,48
649-89947-726LF	89947-726LF	D	26	Latching	30µ" Gold	1,77	1,60	1,50	1,45
649-89947-730LF	89947-730LF	D	30	Latching	30µ" Gold	2,04	1,84	1,74	1,67

MINITEK™ CTW ACTIVE LATCH

The Minitek 2mm Active Latch is a housing for crimp-to-wire systems, enabling discrete wiring to be attached and unattached to PCB boards with an audible click. The connection is held securely in place by the latch.

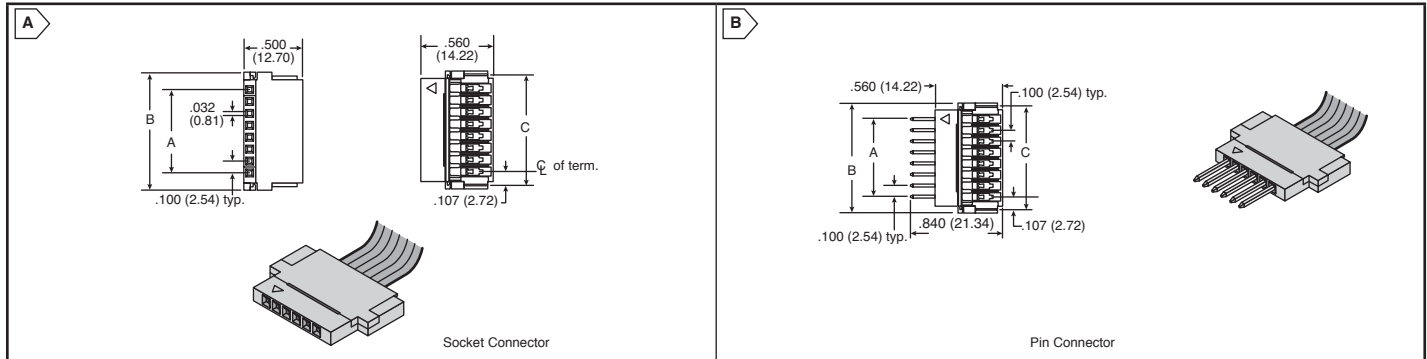
For quantities greater than listed, call for quote.

MOUSER STOCK NO.	FCI Part No.	Fig.	Number of Positions	Contact Plating	Price Each			
					1	25	50	100
Headers								
649-98414-G06-04LF	98414-G06-04LF	E	4	30µ" Gold	0,35	0,31	0,301	0,29
649-98414-G06-06ULF	98414-G06-06ULF	E	6	30µ" Gold	0,68	0,62	0,536	0,456
649-98414-F06-06LF	98414-F06-06LF	E	6	8µ" Gold	0,37	0,32	0,291	0,284
649-98414-G06-08ULF	98414-G06-08ULF	E	8	30µ" Gold	0,60	0,55	0,477	0,403
649-98414-G06-10ULF	98414-G06-10ULF	E	10	30µ" Gold	0,65	0,63	0,617	0,59
649-98414-G06-12ULF	98414-G06-12ULF	E	12	30µ" Gold	0,88	0,81	0,702	0,594
649-98414-G06-16ULF	98414-G06-16ULF	E	16	30µ" Gold	1,24	1,03	0,982	0,842
649-98414-G06-20ULF	98414-G06-20ULF	E	20	30µ" Gold	1,54	1,26	1,22	1,05
649-98414-G06-30LF	98414-G06-30LF	E	30	30µ" Gold	2,01	1,74	1,62	1,50
Housings								
649-10073599-006LF	10073599-006LF	F	6	-----	0,43	0,39	0,344	0,296
649-10073599-008LF	10073599-008LF	F	8	-----	0,43	0,39	0,344	0,296
649-10073599-010LF	10073599-010LF	F	10	-----	0,38	0,34	0,296	0,248
649-10073599-012LF	10073599-012LF	F	12	-----	0,43	0,39	0,344	0,296
649-10073599-014LF	10073599-014LF	F	14	-----	0,48	0,44	0,384	0,328
649-10073599-016LF	10073599-016LF	F	16	-----	0,53	0,48	0,416	0,36
649-10073599-020LF	10073599-020LF	F	20	-----	0,62	0,57	0,488	0,424

FCI Clincher™ Connectors



RoHS Compliant This product is RoHS compliant.



DIMENSIONS: in. (mm)

CLINCHER™ FLAT CABLE CONNECTORS

Single row, high performance .100" (2.54mm) connector system

- Features**
- Clinching portion of contact forms gas tight crimp to prevent contamination
 - Cable connectors are mass terminated without cable stripping
 - Terminates flat flexible cable or flexible etched circuitry for wire-to-board or board to board applications
 - .30" standoffs aid in PCB cleaning
 - Mates with .025" (.635mm) square or round pins on .100" (2.54mm) centers
 - Dual metal PV receptacle contacts provide excellent electrical and mechanical performance
 - RoHS Compliant per FCI Documentation
- Specifications:**
- Receptacle housing: polypropylene (UL94V-0)
 - Header housing: LCP (UL94V-0)
 - Color: Receptacle: blue; Header: black
 - Temperature range: Receptacle: -65°C to +105°C; Header: -55°C to +130°C
 - Header pins: phosphor-bronze
 - Insulation resistance: 5MΩ
 - Contact resistance (receptacle): 15MΩ max
 - Receptacle contact: copper alloy with BeCu Spring
 - Current rating (receptacle): 2.0 amps
 - Withstanding voltage: 1,000VAC rms
 - Pitch: .060"

FCI Rectangular Connectors



RoHS Compliant

Receptacles

*Applied to Thin Film Conductive Ink Circuits

For quantities greater than listed, call for quote.

MOUSER STOCK NO.	FCI Part No.	Fig.	Number of Positions	Contact Area Plating	Dimensions: in. (mm)			Price Each			
					A	B	C	1	25	50	100
649-65801-002LF	65801-002LF	A	2	100 μ ⁿ Tin	0.100 (2.54)	0.390 (9.91)	0.315 (8.00)	0,91	0,825	0,78	0,736
649-65801-003LF	65801-003LF	A	3	100 μ ⁿ Tin	0.200 (5.08)	0.490 (12.45)	0.415 (10.54)	0,50	0,46	0,432	0,408
649-65801-004LF	65801-004LF	A	4	100 μ ⁿ Tin	0.300 (7.62)	0.590 (14.99)	0.515 (13.08)	0,49	0,45	0,422	0,407
649-65801-005LF	65801-005LF	A	5	100 μ ⁿ Tin	0.400 (10.16)	0.690 (17.53)	0.515 (15.62)	0,60	0,54	0,52	0,488
649-65801-006LF	65801-006LF	A	6	100 μ ⁿ Tin	0.500 (12.70)	0.790 (20.07)	0.715 (18.16)	0,63	0,58	0,54	0,518
649-65801-007LF	65801-007LF	A	7	100 μ ⁿ Tin	0.600 (15.24)	0.890 (22.61)	0.815 (20.70)	0,93	0,842	0,806	0,74
* 649-65801-107LF	65801-107LF	A	7	100 μ ⁿ Tin	0.600 (15.24)	0.890 (22.61)	0.815 (20.70)	0,97	0,916	0,866	0,833
649-65801-008LF	65801-008LF	A	8	100 μ ⁿ Tin	0.700 (17.78)	0.990 (25.15)	0.915 (23.24)	0,75	0,68	0,648	0,592
649-65801-037LF	65801-037LF	A	8	30 μ ⁿ Tin	0.700 (17.78)	0.990 (25.15)	0.915 (23.24)	1,47	1,40	1,34	1,27
649-65801-009LF	65801-009LF	A	9	100 μ ⁿ Tin	0.800 (20.32)	1.090 (27.69)	1.015 (25.78)	0,83	0,76	0,72	0,656
649-65801-010LF	65801-010LF	A	10	100 μ ⁿ Tin	0.900 (22.86)	1.190 (30.23)	1.115 (28.32)	0,95	0,89	0,864	0,768
649-65801-011LF	65801-011LF	A	11	100 μ ⁿ Tin	1.000 (25.40)	1.290 (32.77)	1.215 (30.86)	1,81	1,63	1,56	1,42
649-65801-012LF	65801-012LF	A	12	100 μ ⁿ Tin	1.100 (27.94)	1.390 (35.31)	1.315 (33.40)	1,05	0,95	0,90	0,816
649-65801-041LF	65801-041LF	A	12	30 μ ⁿ Gold	1.100 (27.94)	1.390 (35.31)	1.315 (33.40)	2,51	2,05	1,96	1,96
649-65801-014LF	65801-014LF	A	14	100 μ ⁿ Tin	1.300 (33.02)	1.590 (40.39)	1.515 (38.48)	1,15	1,02	0,944	0,904
649-65801-015LF	65801-015LF	A	15	100 μ ⁿ Tin	1.400 (35.56)	1.690 (42.93)	1.615 (41.02)	1,46	1,29	1,19	1,12
649-65801-016LF	65801-016LF	A	16	100 μ ⁿ Tin	1.500 (38.10)	1.790 (45.47)	1.715 (43.56)	1,40	1,24	1,18	1,08
649-65801-020LF	65801-020LF	A	20	100 μ ⁿ Tin	1.900 (48.26)	2.190 (55.63)	2.115 (53.72)	1,69	1,46	1,38	1,26

Plugs

For quantities greater than listed, call for quote.

MOUSER STOCK NO.	FCI Part No.	Fig.	Number of Positions	Contact Area Plating	Dimensions: in. (mm)			Price Each			
					A	B	C	1	25	50	100
649-66226-002LF	66226-002LF	B	2	100 μ ⁿ Tin	0.100 (2.54)	0.390 (9.91)	0.315 (8.00)	1,00	0,916	0,842	0,796
649-66226-004LF	66226-004LF	B	4	100 μ ⁿ Tin	0.300 (7.62)	0.590 (14.99)	0.515 (13.08)	0,75	0,67	0,629	0,581
649-66226-005LF	66226-005LF	B	5	100 μ ⁿ Tin	0.400 (10.16)	0.690 (17.53)	0.615 (15.62)	1,04	0,957	0,866	0,833
649-66226-006LF	66226-006LF	B	6	100 μ ⁿ Tin	0.500 (12.70)	0.790 (20.07)	0.715 (18.16)	0,97	0,88	0,838	0,769
649-66226-008LF	66226-008LF	B	8	100 μ ⁿ Tin	0.700 (17.78)	0.990 (25.15)	0.915 (23.24)	1,07	0,97	0,83	0,806
649-66226-010LF	66226-010LF	B	10	100 μ ⁿ Tin	0.900 (22.86)	1.190 (30.23)	1.115 (28.32)	1,29	1,14	1,07	1,00
649-66226-012LF	66226-012LF	B	12	100 μ ⁿ Tin	1.100 (24.40)	1.390 (35.31)	1.315 (33.40)	2,51	1,30	1,28	1,25
649-66226-013LF	66226-013LF	B	13	100 μ ⁿ Tin	1.200 (30.48)	1.490 (37.85)	1.415 (35.94)	1,91	1,66	1,52	1,44

HARWIN J-Tek and Datamate Trio Tek Connectors



RoHS Compliant This product is RoHS compliant.

DATAMATE J-TEK 2MM CONNECTORS

These connectors are designed to mate with all double row female J-Tek Datamate connectors. Connectors shown are for wire to board. Board to board and wire to wire options available as well as 6, 12, 14, 18, 26, 34, and 42 contact positions. Contact sales for more information.



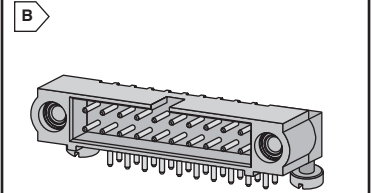
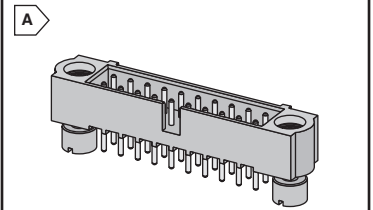
Applications:

- 3 Amps per contact
- Professional connector system at commercial prices
- Ideal for COTS applications
- Proven history in high vibration Mil/Aero applications
- Environmental Classification: -55°C / 125°C / 56 days at 95%RH
- Complies with BS9525-F0033/CECC 75101-008
- Proven performance in high vibration applications
- Female contacts: Brass shell with 4 finger beryllium copper contact
- Male contacts: Phosphor bronze
- Contact resistance: 20mΩ max.
- Insulation resistance: 100MΩ min. at 500VDC
- Durability: 500 operations
- RoHS compliant per Harwin Documentation

J-Tek Male PC Tail Jackscrew Connectors with Boardmount Hardware

For quantities greater than listed, call for quote.

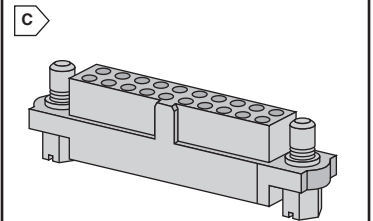
MOUSER STOCK NO.	Harwin Part No.	Fig.	No. of Pos.	Style	Description	Price Each		
						1	10	25
855-M80-5100642	M80-5100642	A	6	Vertical	With Jackscrews	9,05	8,12	7,89
855-M80-5101042	M80-5101042	A	10	Vertical	With Jackscrews	11,64	10,45	10,16
855-M80-5101242	M80-5101242	A	12	Vertical	With Jackscrews	6,78	6,21	5,75
855-M80-5101442	M80-5101442	A	14	Vertical	With Jackscrews	12,57	11,32	10,99
855-M80-5102042	M80-5102042	A	20	Vertical	With Jackscrews	13,68	12,29	11,95
855-M80-5102642	M80-5102642	A	26	Vertical	With Jackscrews	13,39	12,03	11,69
855-M80-5105042	M80-5105042	A	50	Vertical	With Jackscrews	15,39	13,84	13,46
855-M80-5400642	M80-5400642	B	6	Right Angle	With Jackscrews	16,80	15,12	14,69
855-M80-5401042	M80-5401042	B	10	Right Angle	With Jackscrews	17,54	15,75	15,32
855-M80-5401442	M80-5401442	B	14	Right Angle	With Jackscrews	20,71	18,60	18,09
855-M80-5402042	M80-5402042	B	20	Right Angle	With Jackscrews	19,56	17,59	17,10
855-M80-5402642	M80-5402642	B	26	Right Angle	With Jackscrews	21,25	19,08	18,56
855-M80-5405042	M80-5405042	B	50	Right Angle	With Jackscrews	22,06	19,77	19,25



J-Tek Female Crimp Jackscrew Connectors 24-28 AWG

For quantities greater than listed, call for quote.

MOUSER STOCK NO.	Harwin Part No.	Fig.	No. of Pos.	Style	Description	Contact/Shell Plating	Price Each		
							1	10	25
855-M80-4610642	M80-4610642	C	6	Crimp	With Jackscrews	Gold contact/Tin shell	7,68	6,87	6,68
855-M80-4611042	M80-4611042	C	10	Crimp	With Jackscrews	Gold contact/Tin shell	9,65	8,68	8,44
855-M80-4611242	M80-4611242	C	12	Crimp	With Jackscrews	Gold contact/Tin shell	15,36	13,83	13,04
855-M80-4611442	M80-4611442	C	14	Crimp	With Jackscrews	Gold contact/Tin shell	11,92	10,72	10,42
855-M80-4612042	M80-4612042	C	20	Crimp	With Jackscrews	Gold contact/Tin shell	14,90	13,36	12,99
855-M80-4612642	M80-4612642	C	26	Crimp	With Jackscrews	Gold contact/Tin shell	18,09	16,24	15,80
855-M80-4615042	M80-4615042	C	50	Crimp	With Jackscrews	Gold contact/Tin shell	27,76	24,93	24,25



DATAMATE TRIO TEK HIGH RELIABILITY 101 LOCK 2MM PITCH CONNECTORS

Features:

- Easy Insert Trio Tek Female contacts - no insertion tool needed
- High Reliability Performance for wire to board applications
- High Temperature Thermoplastic Mold Material
- Durability: 500 Operations
- 3 Amps per contact
- Datamate Trio Tek Contact allows for hand crimping and automatic crimp options
- Operating temp -55°C to +125°C
- Up to 50 contacts available / board hold down options available - contact sales
- 101 Lok Hardware: push and turn Bayonet Style spring action allows for fast mating and locking
- RoHS Compliant per Harwin Documentation



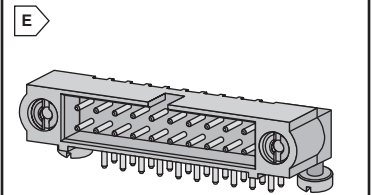
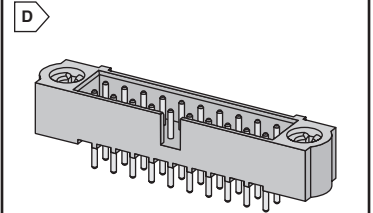
3 Amps per Trio Tek Contact

Trio Tek Male Board Connectors with 101 Lock Hardware

- Pre-loaded Contacts

For quantities greater than listed, call for quote.

MOUSER STOCK NO.	Harwin Part No.	Fig.	No. of Pos.	Orientation	Hardware	Price Each			
						1	10	25	50
855-M80-5T10642MC	M80-5T10642MC	D	6	Vertical	101 Lok	5,01	4,25	3,84	3,66
855-M80-5T10842MC	M80-5T10842MC	D	8	Vertical	101 Lok	5,14	4,35	4,03	3,75
855-M80-5T11042MC	M80-5T11042MC	D	10	Vertical	101 Lok	5,27	4,49	4,04	3,84
855-M80-5T11242MC	M80-5T11242MC	D	12	Vertical	101 Lok	5,39	4,61	4,14	3,94
855-M80-5T11442MC	M80-5T11442MC	D	14	Vertical	101 Lok	5,51	4,72	4,24	4,02
855-M80-5T12042MC	M80-5T12042MC	D	20	Vertical	101 Lok	6,03	5,17	4,64	4,41
855-M80-5T12642MC	M80-5T12642MC	D	26	Vertical	101 Lok	6,61	5,64	5,08	4,82
855-M80-5T13442MC	M80-5T13442MC	D	34	Vertical	101 Lok	7,21	6,15	5,55	5,27
855-M80-5L10642MC	M80-5L10642MC	E	6	Right Angle	101 Lok	5,26	4,51	4,04	3,84
855-M80-5L10842MC	M80-5L10842MC	E	8	Right Angle	101 Lok	6,99	5,98	5,36	5,10
855-M80-5L11042MC	M80-5L11042MC	E	10	Right Angle	101 Lok	5,68	4,85	4,37	4,14
855-M80-5L11242MC	M80-5L11242MC	E	12	Right Angle	101 Lok	8,31	7,09	6,37	6,07
855-M80-5L11442MC	M80-5L11442MC	E	14	Right Angle	101 Lok	8,44	7,18	6,47	6,15
855-M80-5L12042MC	M80-5L12042MC	E	20	Right Angle	101 Lok	6,77	5,77	5,20	4,94
855-M80-5L12642MC	M80-5L12642MC	E	26	Right Angle	101 Lok	6,93	5,87	5,30	5,06
855-M80-5L13442MC	M80-5L13442MC	E	34	Right Angle	101 Lok	7,49	6,40	5,78	5,47

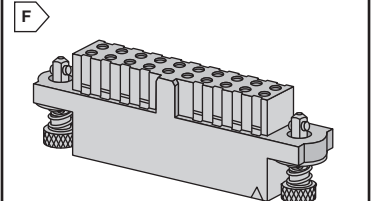


Trio Tek Female Crimp Housings with 101 Lock Hardware

- Contacts required
- Female 101 LOK only mates with male 101 LOK

For quantities greater than listed, call for quote.

MOUSER STOCK NO.	Harwin Part No.	Fig.	No. of Pos.	Orientation	Hardware	Price Each			
						1	10	25	50
855-M80-4590698	M80-4590698	F	6	Vertical	101 Lok	7,68	7,11	6,78	6,78
855-M80-4590898	M80-4590898	F	8	Vertical	101 Lok	7,74	7,16	6,95	6,84
855-M80-4591098	M80-4591098	F	10	Vertical	101 Lok	7,82	7,23	7,01	6,90
855-M80-4591298	M80-4591298	F	12	Vertical	101 Lok	7,92	7,33	7,10	6,98
855-M80-4591498	M80-4591498	F	14	Vertical	101 Lok	8,02	7,42	7,18	7,07
855-M80-4592098	M80-4592098	F	20	Vertical	101 Lok	8,22	7,62	7,38	7,27
855-M80-4592698	M80-4592698	F	26	Vertical	101 Lok	8,50	7,86	7,79	7,79
855-M80-4593498	M80-4593498	F	34	Vertical	101 Lok	8,84	8,18	8,09	8,09

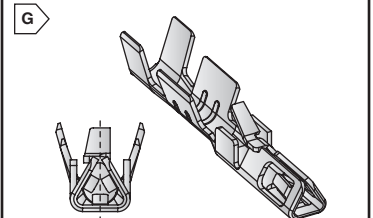


Contacts

- Contacts sold in Bags of 100
- High Reliability Contacts
- Contact material: Beryllium Copper with nickel undercoat
- Plating: All gold
- Easy Insert Contacts - no tool needed
- Suitable for PTFE Insulated Equipment
- Reeled option available - contact sales

For quantities greater than listed, call for quote.

MOUSER STOCK NO.	Harwin Part No.	Fig.	Description	Price Each			
				1	10	25	50
855-M80-2830045	M80-2830045	G	22-24 AWG, Bag of 100	28,52	25,37	22,82	20,74
855-M80-2840045	M80-2840045	G	26-28 AWG, Bag of 100	28,52	25,37	22,82	20,74

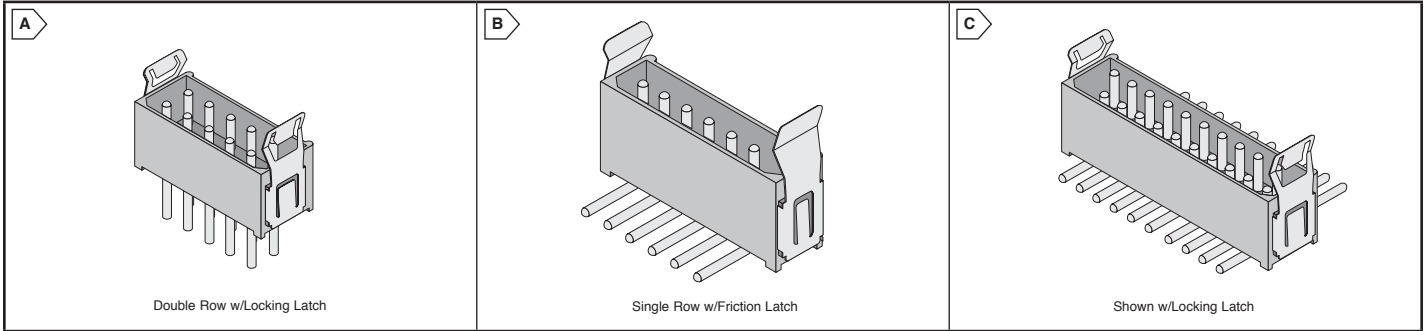


TOOLS

For quantities greater than listed, call for quote.

MOUSER STOCK NO.	Harwin Part No.	Description	Price Each	
			1	5
855-Z80-255	Z80-255	Hand crimp tool with Locator	621,83	552,74
855-Z80-259	Z80-259	Spare Locator	188,83	167,84
855-Z80-258	Z80-258	Removal tool	10,56	9,39

Products may be RoHS compliant. Check mouser.com for RoHS status.

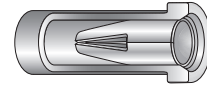


L-TEK DATAMATE SERIES

Features:

- Mates with all L-Tek Series Connectors
- Professional connector system at commercial prices
- Ideal for COTS applications
- Proven history in Mil/Aero applications
- Environmental Classification
-55°C / 125°C / 56 days at 95% RH
- Male Contacts: Phosphor bronze
- Durability: 500 operations
- Complies with BS925-F0033/CECC 75101-008
- Proven performance in high vibration applications
- Mouldings: Glass-filled thermoplastic UL94V-0
- Female Contacts: Brass shell, with 4 finger beryllium copper contact
- RoHS compliant per Harwin Documentation

3 AMP Four Finger Beryllium Copper Contact



Standard in all L & J Tek Female Connectors

L-Tek Male PC Tail Connectors - Vertical

Features:

- Selective Gold Plating
- Polarized mouldings
- Fully shrouded contacts
- 3 Amp contact

For quantities greater than listed, call for quote.

MOUSER RoHS COMPLIANT STOCK NO.	MOUSER NON-RoHS STOCK NO.	Harwin Part No.	Fig.	No. of Contacts	Price Each		
					1	10	25
Single Row With Locking Latch							
855-M80-8820242	855-M80-8770222	M80-8770222	A	2	1,58	1,50	1,42
855-M80-8820342	855-M80-8770322	M80-8770322	A	3	1,53	1,45	1,38
855-M80-8820442	855-M80-8770422	M80-8770422	A	4	2,89	2,39	2,17
855-M80-8820542	855-M80-8770522	M80-8770522	A	5	2,69	2,27	2,01
855-M80-8820642	855-M80-8770622	M80-8770622	A	6	2,64	2,33	2,10
855-M80-8820742	855-M80-8770722	M80-8770722	A	7	2,83	2,41	2,18
Double Row With Locking Latch							
855-M80-8530442	855-M80-8670422	M80-8670422	A	4	2,30	2,19	2,08
855-M80-8530642	855-M80-8670622	M80-8670622	A	6	3,22	2,73	2,47
855-M80-8530842	855-M80-8670822	M80-8670822	A	8	2,56	2,44	2,31
855-M80-8531042	855-M80-8671022	M80-8671022	A	10	6,57	3,04	2,72
855-M80-8531242	855-M80-8671222	M80-8671222	A	12	4,09	3,47	3,23
855-M80-8531442	855-M80-8671422	M80-8671422	A	14	4,27	3,60	3,22
855-M80-8531642	855-M80-8671622	M80-8671622	A	16	4,42	3,75	3,47
855-M80-8532042	855-M80-8672022	M80-8672022	A	20	3,73	3,54	3,37
855-M80-8532642	855-M80-8672622	M80-8672622	A	26	5,38	4,55	4,21
855-M80-8533442	855-M80-8673422	M80-8673422	A	34	6,16	5,21	4,85
Double Row Unlatched							
855-M80-8540442	855-M80-8690422	M80-8690422	A	4	1,84	1,52	1,36
855-M80-8540642	855-M80-8690622	M80-8690622	A	6	2,12	1,76	1,57
855-M80-8540842	855-M80-8690822	M80-8690822	A	8	1,98	1,61	1,57
855-M80-8541042	855-M80-8691022	M80-8691022	A	10	1,77	1,43	1,39
855-M80-8541242	855-M80-8691222	M80-8691222	A	12	1,95	1,57	1,53
855-M80-8541442	855-M80-8691422	M80-8691422	A	14	2,64	2,16	2,10
855-M80-8541642	855-M80-8691622	M80-8691622	A	16	3,17	2,58	2,52
855-M80-8541842	855-M80-8691822	M80-8691822	A	18	2,56	2,07	2,03
855-M80-8542042	855-M80-8692022	M80-8692022	A	20	3,63	2,96	2,89
855-M80-8542642	855-M80-8692622	M80-8692622	A	26	4,68	3,96	3,53
855-M80-8543442	855-M80-8693422	M80-8693422	A	34	5,65	4,79	4,29
Double Row With Friction Latch							
855-M80-8630442	855-M80-8150422	M80-8150422	A	4	3,10	2,62	2,47
855-M80-8630642	855-M80-8150622	M80-8150622	A	6	3,55	2,99	2,73
855-M80-8630842	855-M80-8150822	M80-8150822	A	8	3,03	2,70	2,62
855-M80-8631042	855-M80-8151022	M80-8151022	A	10	3,68	3,10	2,83
855-M80-8631242	855-M80-8151222	M80-8151222	A	12	4,13	3,70	3,59
855-M80-8631442	855-M80-8151422	M80-8151422	A	14	4,17	3,67	3,27
855-M80-8632042	855-M80-8152022	M80-8152022	A	20	4,91	4,27	3,75
855-M80-8632642	855-M80-8152622	M80-8152622	A	26	5,86	5,25	5,10

L-Tek Male PC Tail Connectors - Right Angle

Features:

- Selective Gold Plating
- PCB hold-downs included
- Polarized mouldings
- 3 Amp contact

For quantities greater than listed, call for quote.

MOUSER RoHS COMPLIANT STOCK NO.	MOUSER NON-RoHS STOCK NO.	Harwin Part No.	Fig.	No. of Contacts	Price Each		
					1	10	25
Single Row With Locking Latch							
855-M80-8420242	855-M80-8760222	M80-8760222	B	2	2,94	2,48	2,28
855-M80-8420342	855-M80-8760322	M80-8760322	B	3	3,02	2,56	2,27
855-M80-8420442	855-M80-8760422	M80-8760422	B	4	3,11	2,63	2,37
855-M80-8420542	855-M80-8760522	M80-8760522	B	5	3,21	2,72	2,52
855-M80-8420642	855-M80-8760622	M80-8760622	B	6	3,28	2,77	2,52
Double Row With Locking Latch							
855-M80-8510442	855-M80-8660422	M80-8660422	B	4	3,80	3,41	3,31
855-M80-8510642	855-M80-8660622	M80-8660622	B	6	4,02	3,59	3,48
855-M80-8510842	855-M80-8660822	M80-8660822	B	8	5,04	4,27	3,97

LATCHING OPTIONS

Locking Latch: The opening in the locking latch allows it to physically snap onto the mating half for additional retention force.

Friction Latch: The friction latch is solid, which allows additional retention without physically locking onto mating half.

Unlatched: The unique design of the four leaf Beryllium Copper contacts provides retention force for unlatched options.

L-Tek Male PC Tail Connectors - Right Angle (Cont.)

Features:

- Selective Gold Plating
- PCB hold-downs included
- Polarized mouldings
- 3 Amp contact

For quantities greater than listed, call for quote.

MOUSER RoHS COMPLIANT STOCK NO.	MOUSER NON-RoHS STOCK NO.	Harwin Part No.	Fig.	No. of Contacts	Price Each		
					1	10	25
Double Row With Locking Latch (Cont.)							
855-M80-8511042	855-M80-8661022	M80-8661022	B	10	5,26	4,45	3,96
855-M80-8511242	855-M80-8661222	M80-8661222	B	12	3,60	3,42	3,25
855-M80-8511442	855-M80-8661422	M80-8661422	B	14	5,75	4,85	4,47
855-M80-8511642	855-M80-8661622	M80-8661622	B	16	6,29	5,32	4,95
855-M80-8511842	855-M80-8661822	M80-8661822	B	18	5,79	5,29	5,03
855-M80-8512042	855-M80-8662022	M80-8662022	B	20	5,99	5,47	4,96
855-M80-8512642	855-M80-8662622	M80-8662622	B	26	7,70	6,88	6,69
855-M80-8513442	855-M80-8663422	M80-8663422	B	34	7,47	6,83	6,16
Double Row Unlatched							
855-M80-8410642	855-M80-8680622	M80-8680622	B	6	3,03	2,56	2,39
855-M80-8410842	855-M80-8680822	M80-8680822	B	8	3,15	2,58	2,51
855-M80-8411242	855-M80-8681222	M80-8681222	B	12	3,66	2,98	2,91
855-M80-8411442	855-M80-8681422	M80-8681422	B	14	3,94	3,18	3,11
855-M80-8411842	855-M80-8681822	M80-8681822	B	18	5,00	4,23	3,97
855-M80-8412042	855-M80-8682022	M80-8682022	B	20	5,27	4,46	3,96
855-M80-8412642	855-M80-8682622	M80-8682622	B	26	6,10	5,15	4,71
855-M80-8413442	855-M80-8683422	M80-8683422	B	34	6,36	5,80	5,20
Double Row With Friction Latch							
855-M80-8390442	855-M80-8140422	M80-8140422	B	4	4,65	4,05	3,58
855-M80-8390842	855-M80-8140822	M80-8140822	B	8	5,14	4,35	4,04
855-M80-8391042	855-M80-8141022	M80-8141022	B	10	5,36	4,54	4,03
855-M80-8391642	855-M80-8141622	M80-8141622	B	16	6,14	5,42	4,94
855-M80-8392042	855-M80-8142022	M80-8142022	B	20	6,11	5,57	5,05
855-M80-8392642	855-M80-8142622	M80-8142622	B	26	6,77	6,17	5,57
855-M80-8393442	855-M80-8143422	M80-8143422	B	34	7,61	6,95	6,61

L-Tek Male Surface Mount Connectors - Vertical

Features:

- Selective Gold Plating
- Double Row
- Polarized mouldings
- 3 Amp contact

For quantities greater than listed, call for quote.

MOUSER RoHS COMPLIANT STOCK NO.	MOUSER NON-RoHS STOCK NO.	Harwin Part No.	Fig.	No. of Contacts	Price Each		
					1	10	25
With Locking Latch							
855-M80-8280442	855-M80-8280422	M80-8280422	C	4	3,56	3,02	2,72
855-M80-8280642	855-M80-8280622	M80-8280622	C	6	3,25	2,92	2,83
855-M80-8280842	855-M80-8280822	M80-8280822	C	8	4,32	3,89	3,78
855-M80-8281042	855-M80-8281022	M80-8281022	C	10	5,05	4,55	4,43
855-M80-8281242	855-M80-8281222	M80-8281222	C	12	4,34	3,90	3,80
855-M80-8281442	855-M80-8281422	M80-8281422	C	14	6,52	5,85	5,70
855-M80-8281842	855-M80-8281822	M80-8281822	C	18	5,42	5,58	4,21
855-M80-8282042	855-M80-8282022	M80-8282022	C	20	7,51	6,71	6,52
855-M80-8282642	855-M80-8282622	M80-8282622	C	26	6,33	5,34	4,95
855-M80-8283442	855-M80-8283422	M80-8283422	C	34	6,38	5,84	5,20

L-TEK DATAMATE FEMALE PC TAIL CONNECTORS - VERTICAL

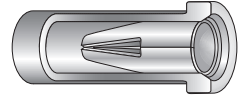
Features:

- Gold Plating
- Fully Shrouded
- Polarized Mouldings

For quantities greater than listed, call for quote.

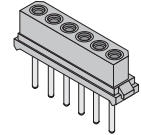
MOUSER RoHS COMPLIANT STOCK NO.	MOUSER NON-RoHS STOCK NO.	Harwin Part No.	Fig.	No. of Contacts	Price Each				
					1	10	25		
Single Row									
855-M80-8400245	855-M80-8970205	M80-8970205	A	2	1,18	0,93	0,91		
855-M80-8400445	855-M80-8970405	M80-8970405	A	4	2,22	1,84	1,79		
855-M80-8400645	855-M80-8970605	M80-8970605	A	6	3,20	2,61	2,54		
Double Row									
855-M80-8500445	855-M80-8870405	M80-8870405	A	4	1,75	1,63	1,48		
855-M80-8500645	855-M80-8870605	M80-8870605	A	6	2,55	2,35	2,19		
855-M80-8500845	855-M80-8870805	M80-8870805	A	8	3,47	2,82	2,75		
855-M80-8501045	855-M80-8871005	M80-8871005	A	10	4,24	3,43	3,35		
855-M80-8501245	855-M80-8871205	M80-8871205	A	12	5,04	4,12	4,01		
855-M80-8501445	855-M80-8871405	M80-8871405	A	14	5,66	4,62	4,51		
855-M80-8501645	855-M80-8871605	M80-8871605	A	16	6,50	5,30	5,16		
855-M80-8502045	855-M80-8872005	M80-8872005	A	20	7,86	6,39	6,23		
855-M80-8502645	855-M80-8872605	M80-8872605	A	26	9,39	8,65	8,06		

3 AMP Four Finger Beryllium Copper Contact



Standard in all L & J Tek Female Connectors

A



L-TEK DATAMATE FEMALE CRIMP CONNECTORS

Features:

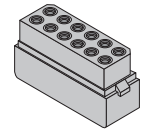
- Gold Plating
- Contacts included
- Contacts rear insertable



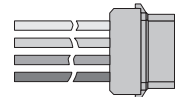
RoHS Compliant For quantities greater than listed, call for quote.

MOUSER STOCK NO.	Harwin Part No.	Fig.	No. of Contacts	AWG	Bore Size	Price Each		
						1	10	25
Single Row								
855-M80-8990205	M80-8990205	B	2	22	Large	1,59	1,31	1,17
855-M80-8990305	M80-8990305	B	3	22	Large	2,31	1,92	1,76
855-M80-8990405	M80-8990405	B	4	22	Large	2,81	2,33	2,02
855-M80-8990505	M80-8990505	B	5	22	Large	3,12	2,64	2,52
855-M80-8990605	M80-8990605	B	6	22	Large	3,68	3,23	2,81
855-M80-8990705	M80-8990705	B	7	22	Large	4,04	3,43	3,03
855-M80-8980205	M80-8980205	B	2	24-28	Small	0,81	0,78	0,765
855-M80-8980305	M80-8980305	B	3	24-28	Small	1,32	1,25	1,19
855-M80-8980405	M80-8980405	B	4	24-28	Small	2,81	2,33	2,02
855-M80-8980505	M80-8980505	B	5	24-28	Small	3,12	2,64	2,43
855-M80-8980605	M80-8980605	B	6	24-28	Small	3,68	3,11	2,77
855-M80-8980705	M80-8980705	B	7	24-28	Small	4,04	3,43	3,03
Double Row								
855-M80-8890405	M80-8890405	B	4	22	Large	1,66	1,58	1,50
855-M80-8890605	M80-8890605	B	6	22	Large	3,51	3,11	2,77
855-M80-8890805	M80-8890805	B	8	22	Large	3,41	3,24	3,08
855-M80-8891005	M80-8891005	B	10	22	Large	5,65	4,79	4,29
855-M80-8891205	M80-8891205	B	12	22	Large	4,73	4,49	4,27
855-M80-8891405	M80-8891405	B	14	22	Large	6,68	6,10	5,51
855-M80-8891605	M80-8891605	B	16	22	Large	7,68	7,02	6,35
855-M80-8891805	M80-8891805	B	18	22	Large	7,45	6,89	6,56
855-M80-8892005	M80-8892005	B	20	22	Large	8,09	7,48	7,08
855-M80-8892605	M80-8892605	B	26	22	Large	8,84	8,32	7,84
855-M80-8893405	M80-8893405	B	34	22	Large	11,37	10,71	10,10
855-M80-8880405	M80-8880405	B	4	24-28	Small	1,55	1,48	1,40
855-M80-8880605	M80-8880605	B	6	24-28	Small	2,22	2,11	2,00
855-M80-8880805	M80-8880805	B	8	24-28	Small	4,68	3,96	3,53
855-M80-8881005	M80-8881005	B	10	24-28	Small	3,09	3,00	2,91
855-M80-8881205	M80-8881205	B	12	24-28	Small	4,13	3,93	3,73
855-M80-8881405	M80-8881405	B	14	24-28	Small	5,37	5,10	4,85
855-M80-8881605	M80-8881605	B	16	24-28	Small	7,68	7,02	6,33
855-M80-8881805	M80-8881805	B	18	24-28	Small	6,67	6,33	6,02
855-M80-8882005	M80-8882005	B	20	24-28	Small	8,09	7,48	7,08
855-M80-8882605	M80-8882605	B	26	24-28	Small	9,13	8,67	8,24
855-M80-8883405	M80-8883405	B	34	24-28	Small	11,79	11,20	10,64
Spare Female Crimp Contact								
855-M80-0130005	M80-0130005	--	--	24-28	Small	0,31	0,30	0,292
855-M80-0110005	M80-0110005	--	--	22	Large	0,27	0,26	0,251

B



C



DATAMATE TOOLS

For quantities greater than listed, call for quote.

MOUSER STOCK NO.	Harwin Part No.	Description	Price Each
855-M22520/2-01	M22520/2-01	Crimp Tool	462,34
855-T5747	T5747	Positioner	131,03
855-T5746	T5746	Separator Tool	69,72
855-Z80-280	Z80-280	Insertion / Removal Tool	143,36

L-TEK HIGH RELIABILITY 2MM PRE-CRIMPED DATAMATE ASSEMBLIES WITH 18" LEADS

Features:

- Pre-assembled with 18" crimped leads inserted into the housing
- Housings: Glass filled PPS UL94V-0, Black
- Contact Plating: Gold
- Current rating: 3.0 Amps
- AWG: 26 and meets MIL-W-16878
- Males supplied with Locking Latch
- RoHS compliant per Harwin documentation
- Different color wire for each contact



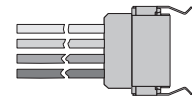
RoHS Compliant

Contact No.	Wire Color	Contact No.	Wire Color
1	Black	7	Blue
2	Brown	8	Violet
3	Red	9	Gray
4	Orange	10	White
5	Yellow	11	White/Black Stripe
6	Green	12	White/Brown Stripe

For quantities greater than listed, call for quote.

MOUSER STOCK NO.	Harwin Part No.	Fig.	Contacts Arrangement	Gender	Connector Housing	Lead Length	Price Each		
							1	10	25
855-M80C108371C	M80C108371C	C	2 x 2	Female	855-M80-8880405	18"	7,46	6,79	5,96
855-M80C108372C	M80C108372C	C	2 x 4	Female	855-M80-8880805	18"	14,39	13,08	11,51
855-M80C108373C	M80C108373C	C	2 x 5	Female	855-M80-8881005	18"	17,84	16,23	14,27
855-M80C108374C	M80C108374C	C	2 x 6	Female	855-M80-8881205	18"	21,29	19,37	17,04
855-M80C108367C	M80C108367C	D	2 x 2	Male	855-M80-8120405	18"	7,39	6,71	5,90
855-M80C108368C	M80C108368C	D	2 x 4	Male	855-M80-8120805	18"	14,52	13,19	11,61
855-M80C108369C	M80C108369C	D	2 x 5	Male	855-M80-8121005	18"	17,93	16,29	14,43
855-M80C108370C	M80C108370C	D	2 x 6	Male	855-M80-8121205	18"	21,61	19,63	17,29

D





This product is RoHS compliant.

DATAMATE S-TEK SHIELDED CONNECTORS

- For Shielding against EMI and RFI
- Cable to PCB or panel mount applications
- 30dBs of RF attenuation between 10kHz and 400MHz
- Tested in general accordance with MIL-STD-1377
- 3 amps per contact

Materials:

- Shell: Al Alloy, Ni plated
- Tie Band: Stainless Steel
- Hardware: Stainless Steel

Tooling Requirements:

- Crimp Tool M22520/2-01
- Insertion Tool Z80-280
- Female Contact Positioner T5747
- S-Tek Male Crimp Positioner Z80-193
- E Clip Installation Tool Z80-300



RoHS Compliant

Note: Connects to customer supplied shielded braid and terminated using industry standard tooling For quantities greater than listed, call for quote.

MOUSER STOCK NO.	Harwin Part No.	Fig.	No. of Positions	Finish	Description	Price Each			
						1	10	25	50
Male PC Tail									
855-M80-5T10642B1	M80-5T10642B1	A	6	Gold + Tin	With Jackscrews	41,09	39,62	38,89	38,25
855-M80-5T11042B1	M80-5T11042B1	A	10	Gold + Tin	With Jackscrews	42,38	40,87	40,10	39,45
855-M80-5T11442B1	M80-5T11442B1	A	14	Gold + Tin	With Jackscrews	43,93	42,37	41,57	40,90
855-M80-5T12042B1	M80-5T12042B1	A	20	Gold + Tin	With Jackscrews	46,45	44,80	43,96	43,24
855-M80-5T12642B1	M80-5T12642B1	A	26	Gold + Tin	With Jackscrews	48,95	47,22	46,33	45,57
855-M80-5T10605B1	M80-5T10605B1	A	6	Gold	With Jackscrews	41,31	39,84	39,10	38,46
855-M80-5T11005B1	M80-5T11005B1	A	10	Gold	With Jackscrews	42,75	41,22	40,46	39,79
855-M80-5T11405B1	M80-5T11405B1	A	14	Gold	With Jackscrews	44,46	42,87	42,06	41,38
855-M80-5T12005B1	M80-5T12005B1	A	20	Gold	With Jackscrews	47,19	45,50	44,65	43,92
855-M80-5T12605B1	M80-5T12605B1	A	26	Gold	With Jackscrews	49,92	48,14	47,24	46,46
Male, Small Bore Crimp									
855-M80-5C10605B1	M80-5C10605B1	B	6	Gold	With Jackscrews	39,80	38,38	37,66	37,05
855-M80-5C11005B1	M80-5C11005B1	B	10	Gold	With Jackscrews	41,76	40,17	39,42	38,77
855-M80-5C11405B1	M80-5C11405B1	B	14	Gold	With Jackscrews	43,82	42,25	41,47	40,79
855-M80-5C12005B1	M80-5C12005B1	B	20	Gold	With Jackscrews	47,24	45,55	44,70	43,97
855-M80-5C12605B1	M80-5C12605B1	B	26	Gold	With Jackscrews	50,83	49,01	48,09	47,31
Female, Small Bore Crimp									
855-M80-4C10605S1	M80-4C10605S1	C	6	Gold	With Jackscrews	72,54	69,95	68,63	67,52
855-M80-4C11005S1	M80-4C11005S1	C	10	Gold	With Jackscrews	77,42	74,64	73,25	72,05
855-M80-4C11405S1	M80-4C11405S1	C	14	Gold	With Jackscrews	82,47	79,52	78,02	76,75
855-M80-4C12005S1	M80-4C12005S1	C	20	Gold	With Jackscrews	90,63	87,38	85,75	84,35
855-M80-4C12605S1	M80-4C12605S1	C	26	Gold	With Jackscrews	96,73	93,28	91,52	90,03

TOOLS

MOUSER STOCK NO.	Harwin Part No.	Description	Price Each
855-Z80-300	Z80-300	E-Clip Tool	61,64
855-Z80-193	Z80-193	Male Crimp Positioner	132,71

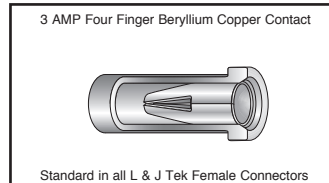
Harwin Rectangular Connectors

DATAMATE MIX-TEK 2MM CONNECTORS W/ 20 AMP POWER AND SIGNAL CONTACTS FOR WIRE TO BOARD APPLICATIONS

- Professional Connector System at commercial prices
- Ideal for COTS applications
- Proven History in MIL/Aero applications
- Available in a variety of positions not shown

Features:

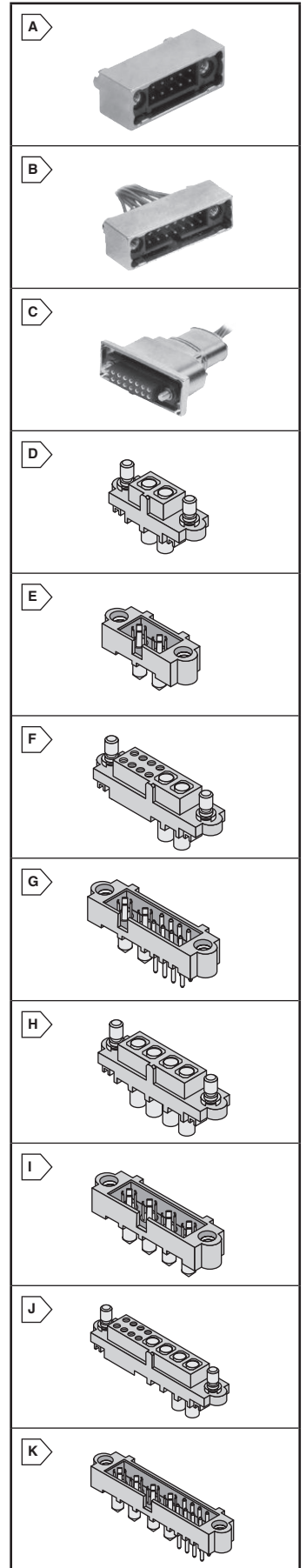
- Power and Signal contacts in one connector
- Power – 20 Amps - Female Solder (12 AWG) Male PC Tail (3.5MM)
- Signal – 3 Amps – Female Crimp (24-28 AWG) Male PC Tail (3.0 MM)
- Polarized
- Jackscrew Hardware
- Temp: -55°C to +125°C
- Endurance 500 Cycles
- 6GHz Coax option available
- All contacts and pins are gold plated




RoHS Compliant

For quantities greater than listed, call for quote.

MOUSER STOCK NO.	Harwin Part No.	Fig.	Gender	Description	Applications	Price Each			
						1	10	25	50
Mix-Tek with 2 Power Contacts									
855-M80400000F12325	M80-4000000F1-02-325-00-000	D	Female	2 Power + 0 Signal	Wire Term.	14,18	13,73	13,24	12,79
855-M80500000M104331	M80-5000000M1-02-331-00-000	E	Male	2 Power + 0 Signal	Board Mount	11,92	11,52	11,07	10,72
855-M804C10205F12325	M80-4C10205F1-02-325-00-000	F	Female	2 Power + 2 Signal	Wire Term.	20,20	19,19	18,18	17,17
855-M805T10205M12331	M80-5T10205M1-02-331-00-000	G	Male	2 Power + 2 Signal	Board Mount	12,45	12,03	11,56	11,20
855-M804C10405F12325	M80-4C10405F1-02-325-00-000	F	Female	2 Power + 4 Signal	Wire Term.	21,24	20,18	19,12	18,06
855-M805T10405M12331	M80-5T10405M1-02-331-00-000	G	Male	2 Power + 4 Signal	Board Mount	12,99	12,55	12,20	11,88
855-M804C10605F12325	M80-4C10605F1-02-325-00-000	F	Female	2 Power + 6 Signal	Wire Term.	22,48	21,35	20,23	19,11
855-M805T10605M12331	M80-5T10605M1-02-331-00-000	G	Male	2 Power + 6 Signal	Board Mount	13,55	13,10	12,52	12,19
855-M804C10805F12325	M80-4C10805F1-02-325-00-000	F	Female	2 Power + 8 Signal	Wire Term.	23,59	22,42	21,23	20,06
855-M805T10805M12331	M80-5T10805M1-02-331-00-000	G	Male	2 Power + 8 Signal	Board Mount	14,10	13,63	13,05	12,68
855-M804C11205F12325	M80-4C11205F1-02-325-00-000	F	Female	2 Power + 12 Signal	Wire Term.	25,89	24,60	23,29	22,00
855-M805T11205M12331	M80-5T11205M1-02-331-00-000	G	Male	2 Power + 12 Signal	Board Mount	15,29	14,69	14,18	13,76
Mix-Tek with 4 Power Contacts									
855-M80400000F104325	M80-4000000F1-04-325-00-000	H	Female	4 Power + 0 Signal	Wire Term.	28,52	27,10	25,67	24,25
855-M80500000M104331	M80-5000000M1-04-331-00-000	I	Male	4 Power + 0 Signal	Board Mount	26,85	25,51	24,16	22,82
855-M804C10205F14325	M80-4C10205F1-04-325-00-000	J	Female	4 Power + 2 Signal	Wire Term.	29,72	28,24	26,74	25,26
855-M805T10205M14331	M80-5T10205M1-04-331-00-000	K	Male	4 Power + 2 Signal	Board Mount	21,04	20,33	19,53	18,92
855-M804C10405F14325	M80-4C10405F1-04-325-00-000	J	Female	4 Power + 4 Signal	Wire Term.	32,88	31,23	29,59	27,95
855-M805T10405M14331	M80-5T10405M1-04-331-00-000	K	Male	4 Power + 4 Signal	Board Mount	21,94	21,20	20,36	19,74
855-M804C10605F14325	M80-4C10605F1-04-325-00-000	J	Female	4 Power + 6 Signal	Wire Term.	32,03	30,43	28,82	27,22
855-M805T10605M14331	M80-5T10605M1-04-331-00-000	K	Male	4 Power + 6 Signal	Board Mount	22,89	22,11	21,23	20,60
855-M804C10805F14325	M80-4C10805F1-04-325-00-000	J	Female	4 Power + 8 Signal	Wire Term.	33,17	31,51	29,85	28,19
855-M805T10805M14331	M80-5T10805M1-04-331-00-000	K	Male	4 Power + 8 Signal	Board Mount	23,81	22,97	22,06	21,44
855-M804C11205F14325	M80-4C11205F1-04-325-00-000	J	Female	4 Power + 12 Signal	Wire Term.	35,46	33,66	31,91	30,14
855-M805T11205M14331	M80-5T11205M1-04-331-00-000	K	Male	4 Power + 12 Signal	Board Mount	25,86	24,93	23,97	23,27



HARWIN PC/104 and Fine Pitch Connectors **HARWIN**

 This product is RoHS compliant.

 RoHS Compliant

PC/104 CONNECTORS

- 2.54 mm Pitch
- Gold Finish
- Contacts: Phosphor Bronze
- Temp Range: -55°C to 105°C
- 32+32 way Supports an 8-bit system
- 20+20 way combined with 32+32 ways supports a 16-bit system
- Current Rating: Solder Tail: 3A max
Press Fit Tail: 2A max

For quantities greater than listed, call for quote.

MOUSER STOCK NO.	Harwin Part No.	Fig.	Description	Price Each			
				1	10	25	50
855-M20-6102005	M20-6102005	A	20+20 Stackthrough, 12.2mm Solder Tail	3,63	3,06	2,73	2,65
855-M20-6103205	M20-6103205	A	32+32 Stackthrough, 12.2mm Solder Tail	5,59	4,73	4,20	4,07
855-M20-6112005	M20-6112005	B	20+20 Non-Stackthrough, 2.3mm Solder Tail	3,15	2,66	2,43	2,29
855-M20-6113205	M20-6113205	B	32+32 Non-Stackthrough, 2.3mm Solder Tail	4,63	3,94	3,44	3,39
855-M20-6152005	M20-6152005	C	20+20 Stackthrough, 12.2mm Press Fit	10,38	9,51	9,50	9,41
855-M20-6153205	M20-6153205	C	32+32 Stackthrough, 12.2mm Press Fit	11,34	10,38	10,37	10,27

2MM SINGLE ROW HEADERS

- Moulding Material: High Temperature Plastic, UL94V-0
- Current Rating: 2A per single contact, 1A all contacts
- Contact Resistance: 30mΩ max
- Voltage Rating: 250V AC/DC
- Insulation Resistance: 100 MΩ min
- Contact Material: Copper Alloy
- Plating: Gold
- 2.4mm tails
- RoHS Compliant per Harwin Documentation

 RoHS Compliant

For quantities greater than listed, call for quote.

MOUSER STOCK NO.	Harwin Part No.	Fig.	No. of Positions	Port Size (mm)	Description	Price Each		
						1	10	25
855-M22-2510205	M22-2510205	D	2	3.5	Vertical Pin	0,10	0,09	0,083
855-M22-2510305	M22-2510305	D	3	3.5	Vertical Pin	0,14	0,13	0,121
855-M22-2510405	M22-2510405	D	4	3.5	Vertical Pin	0,18	0,17	0,165
855-M22-2510505	M22-2510505	D	5	3.5	Vertical Pin	0,22	0,21	0,201
855-M22-2510605	M22-2510605	D	6	3.5	Vertical Pin	0,27	0,25	0,246
855-M22-2511005	M22-2511005	D	10	3.5	Vertical Pin	0,49	0,47	0,447
855-M22-2511405	M22-2511405	D	14	3.5	Vertical Pin	0,62	0,59	0,565
855-M22-2512005	M22-2512005	D	20	3.5	Vertical Pin	0,91	0,86	0,825
855-M22-2530205	M22-2530205	E	2	3.5	Right Angle Pin	0,11	0,10	0,097
855-M22-2530305	M22-2530305	E	3	3.5	Right Angle Pin	0,16	0,15	0,149
855-M22-2530405	M22-2530405	E	4	3.5	Right Angle Pin	0,22	0,21	0,199
855-M22-2530505	M22-2530505	E	5	3.5	Right Angle Pin	0,29	0,27	0,241
855-M22-2530605	M22-2530605	E	6	3.5	Right Angle Pin	0,33	0,31	0,298
855-M22-2531405	M22-2531405	E	14	3.5	Right Angle Pin	0,98	0,953	0,867
855-M22-2532005	M22-2532005	E	20	3.5	Right Angle Pin	1,32	1,25	1,19
855-M22-5330205	M22-5330205	F	2	4.0	Right Angle SMT Pin	0,18	0,17	0,165
855-M22-5330305	M22-5330305	F	3	4.0	Right Angle SMT Pin	0,38	0,347	0,292
855-M22-5330405	M22-5330405	F	4	4.0	Right Angle SMT Pin	0,47	0,433	0,391
855-M22-5330505	M22-5330505	F	5	4.0	Right Angle SMT Pin	0,61	0,559	0,488
855-M22-5330605	M22-5330605	F	6	4.0	Right Angle SMT Pin	0,69	0,636	0,559
855-M22-5331005	M22-5331005	F	10	4.0	Right Angle SMT Pin	1,19	1,08	0,963
855-M22-5331405	M22-5331405	F	14	4.0	Right Angle SMT Pin	1,68	1,51	1,33

2MM DOUBLE ROW HEADERS

- Moulding Material: High Temperature Plastic, UL94V-0
- Current Rating: 2A per single contact, 1A all contacts
- Contact Resistance: 30mΩ max
- Voltage Rating: 250V AC/DC
- Insulation Resistance: 100MΩ min
- Contact Material: Copper Alloy
- Plating: Gold
- 2.4mm tails
- RoHS Compliant per Harwin Documentation

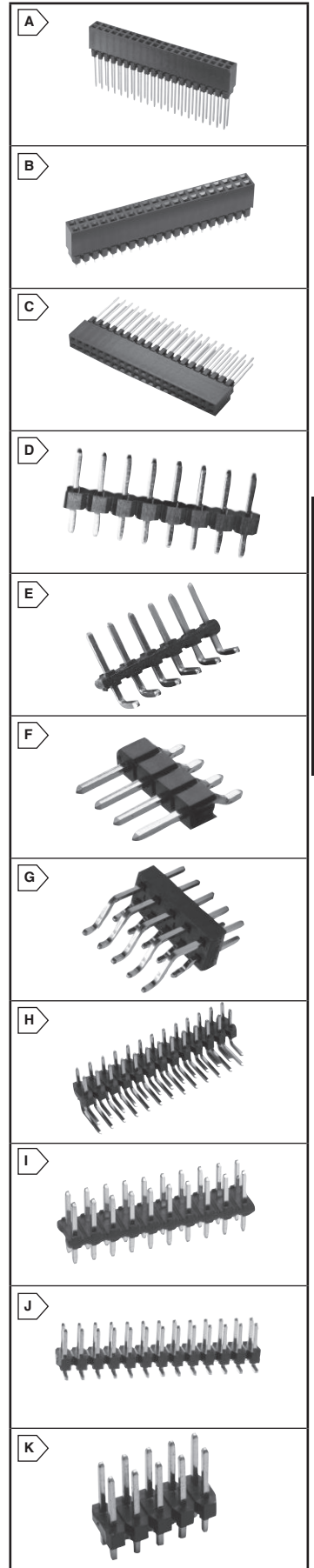
 RoHS Compliant

For quantities greater than listed, call for quote.

MOUSER STOCK NO.	Harwin Part No.	Fig.	No. of Positions	Port Size (mm)	Description	Price Each		
						1	10	25
855-M22-5430405	M22-5430405	G	8	3.2	RA SMT Pin w/ Location Pegs	1,09	0,992	0,882
855-M22-5430505	M22-5430505	G	10	3.2	RA SMT Pin w/ Location Pegs	1,36	1,22	1,08
855-M22-2540205	M22-2540205	H	4	3.5	Right Angle Pin	0,25	0,241	0,221
855-M22-2540305	M22-2540305	H	6	3.5	Right Angle Pin	0,31	0,29	0,282
855-M22-2540405	M22-2540405	H	8	3.5	Right Angle Pin	0,41	0,39	0,374
855-M22-2540605	M22-2540605	H	12	3.5	Right Angle Pin	0,62	0,58	0,56
855-M22-2541005	M22-2541005	H	20	3.5	Right Angle Pin	1,11	1,04	0,915
855-M22-2541405	M22-2541405	H	28	3.5	Right Angle Pin	1,55	1,48	1,40
855-M22-2542005	M22-2542005	H	40	3.5	Right Angle Pin	2,46	2,31	2,19
855-M22-2520205	M22-2520205	I	4	3.5	Vertical Pin	0,18	0,17	0,164
855-M22-2520305	M22-2520305	I	6	3.5	Vertical Pin	0,27	0,25	0,246
855-M22-2520405	M22-2520405	I	8	3.5	Vertical Pin	0,39	0,37	0,354
855-M22-2520505	M22-2520505	I	10	3.5	Vertical Pin	0,66	0,51	0,472
855-M22-2520605	M22-2520605	I	12	3.5	Vertical Pin	0,54	0,51	0,493
855-M22-2521005	M22-2521005	I	20	3.5	Vertical Pin	0,91	0,86	0,825
855-M22-2521405	M22-2521405	I	28	3.5	Vertical Pin	1,28	1,22	1,15
855-M22-2522005	M22-2522005	I	40	3.5	Vertical Pin	1,83	1,74	1,65
855-M22-5320205	M22-5320205	J	4	3.5	SMT Vertical Pin	0,66	0,51	0,482
855-M22-5320305	M22-5320305	J	6	3.5	SMT Vertical Pin	0,39	0,37	0,356
855-M22-5320405	M22-5320405	J	8	3.5	SMT Vertical Pin	0,49	0,47	0,45
855-M22-5320605	M22-5320605	J	12	3.5	SMT Vertical Pin	0,72	0,68	0,651
855-M22-5321005	M22-5321005	J	20	3.5	SMT Vertical Pin	1,17	1,11	1,06
855-M22-5322005	M22-5322005	J	40	3.5	SMT Vertical Pin	3,03	2,75	2,43
855-M22-2580205	M22-2580205	K	4	5.0	Vertical Pin	0,20	0,19	0,188
855-M22-2580305	M22-2580305	K	6	5.0	Vertical Pin	0,31	0,29	0,283
855-M22-2580405	M22-2580405	K	8	5.0	Vertical Pin	0,42	0,39	0,379
855-M22-2580505	M22-2580505	K	10	5.0	Vertical Pin	0,52	0,49	0,474
855-M22-2581005	M22-2581005	K	20	5.0	Vertical Pin	1,04	0,99	0,946
855-M22-2581405	M22-2581405	K	28	5.0	Vertical Pin	1,93	1,75	1,53
855-M22-2582005	M22-2582005	K	40	5.0	Vertical Pin	2,73	2,48	2,18

© Copyright 2012 Mouser Electronics

© Copyright 2012 Mouser Electronics



Rectangular Connectors Harwin

HARWIN M22 Series Fine Pitch Connectors

HARWIN

RoHS Compliant **This product is RoHS compliant.**

2MM PITCH JUMPER SOCKETS

For use with any M22 unshrouded pin headers.

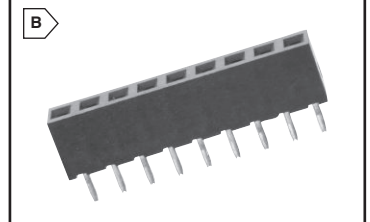
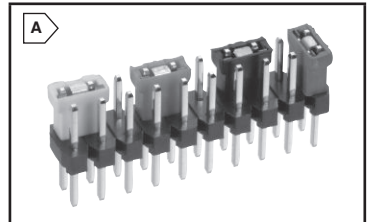
- Can be fitted and removed by hand, giving an alternative to DIP Switches for on-board programming
- Open top for use with test probe and end/side stackable
- Moulding: Glass filled Polyester UL94V-0
- Temperature Range: -40°C to 85°C
- Current Rating: 2 Amps
- Voltage: 250V AC/DC
- RoHS Compliant per Harwin Documentation



RoHS Compliant

For quantities greater than listed, call for quote.

MOUSER STOCK NO.	Harwin Part No.	Fig.	Plating	Color	Contact	Price Each		
						1	10	25
855-M22-1900046	M22-1900046	A	Tin	Black	Beryllium Copper	0,16	0,15	0,147
855-M22-1910046	M22-1910046	A	Tin	Blue	Beryllium Copper	0,16	0,15	0,147
855-M22-1920046	M22-1920046	A	Tin	Red	Beryllium Copper	0,18	0,17	0,141
855-M22-1900005	M22-1900005	A	Gold	Black	Beryllium Copper	0,25	0,24	0,234
855-M22-1910005	M22-1910005	A	Gold	Blue	Beryllium Copper	0,42	0,289	0,241
855-M22-1920005	M22-1920005	A	Gold	Red	Beryllium Copper	0,25	0,24	0,228



2MM FINE PITCH SOCKETS

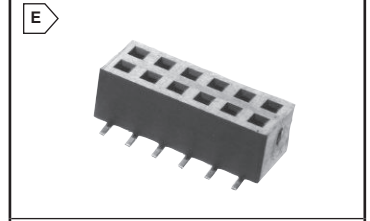
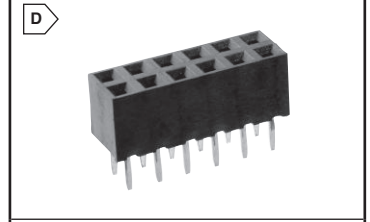
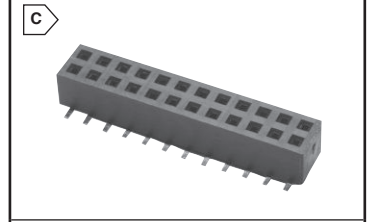
- PC Tail Sockets have 2.6mm tails
- Moulding Material: High Temperature Plastic, UL94V-0
- Contact Material: Phosphor Bronze
- Current Rating: 2A per single contact, 1A all contacts
- Plating: Selective Gold, 100% Tin
- Voltage Rating: 250V AC/DC
- Contact Resistance: 30 mΩ max
- Insulation resistance: 100 MΩ min
- RoHS Compliant per Harwin Documentation



RoHS Compliant

For quantities greater than listed, call for quote.

MOUSER STOCK NO.	Harwin Part No.	Fig.	No. of Pos.	Mould Height (mm)	Plating	Description	Price Each		
							1	10	25
855-M22-7130342	M22-7130342	B	3	4.4	Gold + Tin	Single Row	0,83	0,76	0,643
855-M22-7130442	M22-7130442	B	4	4.4	Gold + Tin	Single Row	0,84	0,78	0,667
855-M22-7130542	M22-7130542	B	5	4.4	Gold + Tin	Single Row	0,89	0,81	0,68
855-M22-7130642	M22-7130642	B	6	4.4	Gold + Tin	Single Row	1,01	0,91	0,752
855-M22-7131042	M22-7131042	B	10	4.4	Gold + Tin	Single Row	1,61	1,47	1,22
855-M22-7131442	M22-7131442	B	14	4.4	Gold + Tin	Single Row	2,15	1,77	1,69
855-M22-7132042	M22-7132042	B	20	4.4	Gold + Tin	Single Row	2,10	1,64	1,53
855-M22-6360346	M22-6360346	C	6	2.3	Tin	Double Row/Dual Entry, SMT	1,27	1,20	1,14
855-M22-6360446	M22-6360446	C	8	2.3	Tin	Double Row/Dual Entry, SMT	1,62	1,54	1,47
855-M22-6362046	M22-6362046	C	40	2.3	Tin	Double Row/Dual Entry, SMT	7,85	7,14	6,78
855-M22-7140342	M22-7140342	D	6	4.4	Gold + Tin	Double Row	0,90	0,83	0,704
855-M22-7140442	M22-7140442	D	8	4.4	Gold + Tin	Double Row	1,16	1,06	0,898
855-M22-7140542	M22-7140542	D	10	4.4	Gold + Tin	Double Row	1,40	1,28	1,06
855-M22-7140642	M22-7140642	D	12	4.4	Gold + Tin	Double Row	1,53	1,41	1,19
855-M22-7141042	M22-7141042	D	20	4.4	Gold + Tin	Double Row	2,91	2,58	2,38
855-M22-7141442	M22-7141442	D	28	4.4	Gold + Tin	Double Row	2,75	2,34	2,17
855-M22-7142042	M22-7142042	D	40	4.4	Gold + Tin	Double Row	4,42	3,40	3,18
855-M22-6340342	M22-6340342	E	6	4.5	Gold + Tin	Double Row, SMT	0,58	0,55	0,531
855-M22-6340442	M22-6340442	E	8	4.5	Gold + Tin	Double Row, SMT	0,77	0,73	0,696
855-M22-6340542	M22-6340542	E	10	4.5	Gold + Tin	Double Row, SMT	0,90	0,86	0,821
855-M22-6340642	M22-6340642	E	12	4.5	Gold + Tin	Double Row, SMT	0,92	0,87	0,835
855-M22-6341042	M22-6341042	E	20	4.5	Gold + Tin	Double Row, SMT	2,23	1,85	1,64
855-M22-6342042	M22-6342042	E	40	4.5	Gold + Tin	Double Row, SMT	3,28	2,99	2,84



2MM CRIMP HOUSINGS

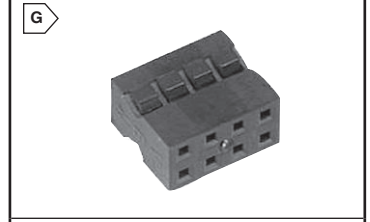
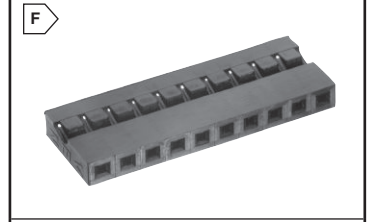
- Moulding Material: Nylon, UL94V-2
- Contact Material: Phosphor Bronze
- Current Rating: 2A per single contact, 1A all contacts
- Plating: Selective Gold, 100% Tin
- Voltage Rating: 250V AC/DC
- Contact Resistance: 30 mΩ max
- Insulation resistance: 100 MΩ min
- RoHS Compliant per Harwin Documentation



RoHS Compliant

For quantities greater than listed, call for quote.

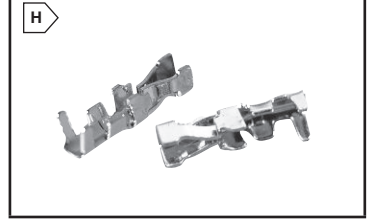
MOUSER STOCK NO.	Harwin Part No.	Fig.	No. of Positions	Description	Price Each		
					1	10	25
855-M22-3010200	M22-3010200	F	2	Single Row	0,20	0,19	0,182
855-M22-3010300	M22-3010300	F	3	Single Row	0,20	0,19	0,183
855-M22-3010400	M22-3010400	F	4	Single Row	0,23	0,22	0,21
855-M22-3010500	M22-3010500	F	5	Single Row	0,51	0,395	0,356
855-M22-3010600	M22-3010600	F	6	Single Row	0,29	0,27	0,261
855-M22-3011000	M22-3011000	F	10	Single Row	0,81	0,616	0,578
855-M22-3012000	M22-3012000	F	20	Single Row	0,65	0,62	0,592
855-M22-3020200	M22-3020200	G	4	Double Row	0,18	0,17	0,148
855-M22-3020300	M22-3020300	G	6	Double Row	0,29	0,27	0,223
855-M22-3020400	M22-3020400	G	8	Double Row	0,23	0,22	0,208
855-M22-3020500	M22-3020500	G	10	Double Row	0,73	0,568	0,53
855-M22-3020600	M22-3020600	G	12	Double Row	0,43	0,41	0,392
855-M22-3021000	M22-3021000	G	20	Double Row	1,10	0,905	0,819
855-M22-3022000	M22-3022000	G	40	Double Row	1,17	1,11	1,06



2MM FEMALE CRIMP CONTACTS

For quantities greater than listed, call for quote.

MOUSER STOCK NO.	Harwin Part No.	Fig.	Plating	Wire Size	Price Each		
					1	10	25
855-M22-3050042	M22-3050042	H	Selective Gold, 100% Tin	24-30 AWG	0,08	0,063	0,058
855-M22-3050046	M22-3050046	H	100% Tin	24-30 AWG	0,07	0,063	0,058



CRIMP TOOL FOR USE WITH M22 CONTACTS

MOUSER STOCK NO.	Harwin Part No.	Description	Price Each
855-Z22-020	Z22-020	2mm Hand Crimp Tool	565,03

HIROSE FFC/FPC Connectors

ROHS Compliant This product is RoHS compliant.

BM10 SERIES - 0.4MM SMT FPC-TO-BOARD CONNECTORS

Features:

- Space saving: 2.98mm depth
- Highly reliable contact and retention force with clipping contact design
- Clear tactile click with excellent contact design
- Shock-absorbing configuration with dimple on contact for robustness



Vertical Mount Headers

For quantities greater than listed, call for quote.

MOUSER STOCK NO.	Hirose Part No.	No. of Contacts	Stack Height (mm)	Contact Plating	Price Each		
					1	25	100
798-BM10B0610DP04V51	BM10B(0.6)-10DP-0.4V(51)	10	0.6	0.05µ Gold	0,44	0,347	0,314
798-BM10B0810DP04V51	BM10B(0.8)-10DP-0.4V(51)	10	0.8	0.05µ Gold	0,44	0,355	0,314
798-BM10B0820DP04V51	BM10B(0.8)-20DP-0.4V(51)	20	0.8	0.05µ Gold	0,56	0,454	0,404
798-BM10B0824DP04V51	BM10B(0.8)-24DP-0.4V(51)	24	0.8	0.05µ Gold	0,61	0,495	0,446
798-BM10B0830DP04V51	BM10B(0.8)-30DP-0.4V(51)	30	0.8	0.05µ Gold	0,69	0,553	0,495
798-BM10B0834DP04V51	BM10B(0.8)-34DP-0.4V(51)	34	0.8	0.05µ Gold	0,73	0,594	0,536
798-BM10B0840DP04V51	BM10B(0.8)-40DP-0.4V(51)	40	0.8	0.05µ Gold	0,79	0,635	0,569
798-BM10B0850DP04V51	BM10B(0.8)-50DP-0.4V(51)	50	0.8	0.05µ Gold	0,92	0,743	0,668
798-BM10B0860DP04V51	BM10B(0.8)-60DP-0.4V(51)	60	0.8	0.05µ Gold	1,12	0,908	0,817

Vertical Mount Receptacles

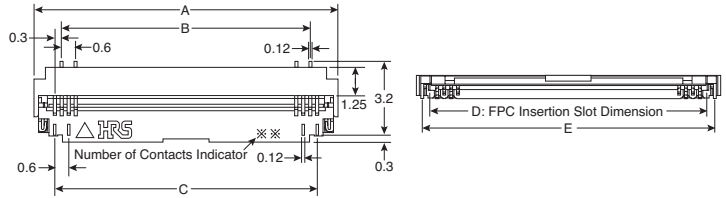
For quantities greater than listed, call for quote.

MOUSER STOCK NO.	Hirose Part No.	No. of Contacts	Stack Height (mm)	Contact Plating	Price Each		
					1	25	100
798-BM10NB0610DS4V51	BM10NB(0.6)-10DS-0.4V(51)	10	0.6	0.05µ Gold	0,50	0,396	0,355
798-BM10NB0810DS4V51	BM10NB(0.8)-10DS-0.4V(51)	10	0.8	0.05µ Gold	0,50	0,396	0,355
798-BM10NB0820DS4V51	BM10NB(0.8)-20DS-0.4V(51)	20	0.8	0.05µ Gold	0,66	0,536	0,479
798-BM10NB0824DS4V51	BM10NB(0.8)-24DS-0.4V(51)	24	0.8	0.05µ Gold	0,73	0,594	0,536
798-BM10NB0830DS4V51	BM10NB(0.8)-30DS-0.4V(51)	30	0.8	0.05µ Gold	0,84	0,677	0,611
798-BM10NB0834DS4V51	BM10NB(0.8)-34DS-0.4V(51)	34	0.8	0.05µ Gold	0,89	0,718	0,644
798-BM10NB0840DS4V51	BM10NB(0.8)-40DS-0.4V(51)	40	0.8	0.05µ Gold	0,99	0,80	0,718
798-BM10NB0850DS4V51	BM10NB(0.8)-50DS-0.4V(51)	50	0.8	0.05µ Gold	1,15	0,924	0,833
798-BM10NB0860DS4V51	BM10NB(0.8)-60DS-0.4V(51)	60	0.8	0.05µ Gold	1,22	1,01	0,891

FH26 SERIES - 0.3MM PITCH FPC ZIF CONNECTORS

Features:

- Extremely light weight
- Easy solderability on the PC board
- Conductive traces on the PCB can run under the connector
- Easy FPC insertion and reliable electrical connection
- Accepts standard thickness FPC - 0.2mm
- Board placement with automatic equipment
- Zero insertion force
- 1mm Height



For quantities greater than listed, call for quote.

MOUSER STOCK NO.	Hirose Part No.	No. of Contacts	Dimensions: mm					Price Each		
			A	B	C	D	E	1	25	100
SMT Horizontal Mounting - Gold										
798-FH2613S0.3SHW05	FH26-13S-0.3SHW(05)	13	5.4	3.0	3.6	4.23	4.9	1,82	1,40	1,12
798-FH2617S0.3SHW05	FH26-17S-0.3SHW(05)	17	6.6	4.2	4.8	5.43	6.1	1,99	1,53	1,22
798-FH2621S0.3SHW05	FH26-21S-0.3SHW(05)	21	7.8	5.4	6.0	6.63	7.3	2,10	1,61	1,29
798-FH2627S0.3SHW05	FH26-27S-0.3SHW(05)	27	9.6	7.2	7.8	8.43	9.1	2,28	1,75	1,40
798-FH2635S0.3SHW05	FH26-35S-0.3SHW(05)	35	12.0	9.6	10.2	10.83	11.5	2,57	1,98	1,58
798-FH2639S0.3SHW05	FH26-39S-0.3SHW(05)	39	13.2	10.8	11.4	12.03	12.7	2,39	1,86	1,49
798-FH2641S0.3SHW05	FH26-41S-0.3SHW(05)	41	13.8	11.4	12.0	12.63	13.3	2,47	1,91	1,53
798-FH2645S0.3SHW05	FH26-45S-0.3SHW(05)	45	15.0	12.6	13.2	13.83	14.5	2,56	1,98	1,58
798-FH2651S0.3SHW05	FH26-51S-0.3SHW(05)	51	16.8	14.4	15.0	15.63	16.3	2,77	2,15	1,72
798-FH2671S0.3SHW05	FH26-71S-0.3SHW(05)	71	22.8	20.4	21.0	21.63	22.3	3,40	2,63	2,10

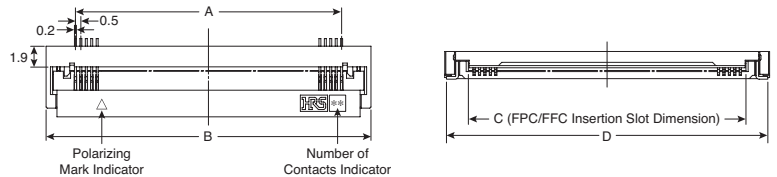
FH28 SERIES - 0.5MM FFC/FPC ZIF CONNECTORS

Features:

- Precise FFC/FPC positioning
- Rotation Actuator
- Zero insertion force
- 2.55mm Height
- Recommended FFC/FPC thickness: 0.3mm

Specifications:

- Insulator: UL94V-0 LCP, Gray
- Actuator: UL94V-0 LCP, Black
- Contact Plating: Gold
- Current Rating: 0.5A
- Voltage Rating: 50V AC



For quantities greater than listed, call for quote.

MOUSER STOCK NO.	Hirose Part No.	No. of Contacts	Dimensions: mm				Price Each		
			A	B	C	D	1	10	50
Standard Type									
798-FH2840S0.5SH05	FH28-40S-0.5SH(05)	40	19.5	24.9	20.57	24.58	1,87	1,56	1,30
798-FH2850S0.5SH05	FH28-50S-0.5SH(05)	50	24.5	29.9	25.57	29.58	1,82	1,51	1,26
798-FH2855S0.5SH05	FH28-55S-0.5SH(05)	55	27	32.4	28.07	32.08	1,96	1,63	1,35
798-FH28-60S-0.5SH05	FH28-60S-0.5SH(05)	60	29.5	34.9	30.57	34.58	2,33	1,93	1,61
Protruded Metal Fittings Type									
798-FH28E20S0.5SH05	FH28E-20S-0.5SH(05)	20	9.5	14.9	10.57	15.7	1,50	1,25	1,03
798-FH28E40S0.5SH05	FH28E-40S-0.5SH(05)	40	19.5	24.9	20.57	25.7	1,85	1,53	1,28
798-FH28E50S0.5SH05	FH28E-50S-0.5SH(05)	50	24.5	29.9	25.57	30.7	1,96	1,62	1,34
798-FH28E60S0.5SH05	FH28E-60S-0.5SH(05)	60	29.5	34.9	30.57	35.7	2,15	1,78	1,48
798-FH28E68S0.5SH05	FH28E-68S-0.5SH(05)	68	33.5	38.9	34.57	39.7	2,44	2,02	1,69
Space Saving Type									
798-FH28H80S0.5SH05	FH28H-80S-0.5SH(05)	80	39.5	44.9	40.57	45.7	2,47	2,03	1,70

HIROSE Connectors



This product is RoHS compliant.



HIROSE ELECTRIC CO., LTD.

DF40 SERIES - 0.4MM CONTACT PITCH BOARD-TO-BOARD/BOARD-TO-FPC CONNECTORS

- Space saving with the world shortest depth of 3.38mm
- Long effective mating length: 0.45mm, the highest level for 1.5mm stacking height connectors
- Self alignment range: 0.33mm by guide ribs utilizing dead space
- Ribs provided inside of both header and socket connectors absorb shocks and stresses by fitting concavo and convex.
- Receptacle with nickel barriered contact and integral molding header prevent solder wicking.

Receptacles

For quantities greater than listed, call for quote.

MOUSER STOCK NO.	Hirose Part No.	Fig.	No. of Contacts	Dimensions: mm			Price Each		
				A	B		1	25	100
1.5mm Stacking Height									
798-DF40C10DS0.4V51	DF40C-10DS-0.4V(51)	A	10	4.6	1.6	0,56	0,33	0,261	
798-DF40C20DS0.4V51	DF40C-20DS-0.4V(51)	A	20	6.6	3.6	0,56	0,404	0,33	
798-DF40C30DS0.4V51	DF40C-30DS-0.4V(51)	A	30	8.6	5.6	0,73	0,52	0,422	
798-DF40C40DS0.4V51	DF40C-40DS-0.4V(51)	A	40	10.6	7.6	0,71	0,627	0,513	
798-DF40C50DS0.4V51	DF40C-50DS-0.4V(51)	A	50	12.6	9.6	1,03	0,746	0,606	
798-DF40C60DS0.4V51	DF40C-60DS-0.4V(51)	A	60	14.6	11.6	1,22	0,875	0,721	
798-DF40C80DS0.4V51	DF40C-80DS-0.4V(51)	A	80	18.6	15.6	1,56	1,13	0,924	
798-DF40C90DS0.4V51	DF40C-90DS-0.4V(51)	A	90	20.6	17.6	1,04	0,949	0,858	
798-DF40C100DS0.4V51	DF40C-100DS-0.4V(51)	A	100	22.6	19.6	1,67	1,27	1,02	
2.0mm Stacking Height									
798-DF40C2080DS04V51	DF40C(2,0)-80DS-0.4V(51)	A	80	18.6	15.6	1,65	1,26	1,01	
2.5mm Stacking Height									
798-DF40HC2560DS04V	DF40HC(2,5)-60DS-0.4V(51)	A	60	14.6	11.6	1,40	1,07	0,866	
3.0mm Stacking Height									
798-DF40HC3044DS04V	DF40HC(3,0)-44DS-0.4V(51)	A	44	11.4	8.4	1,08	1,01	0,932	
798-DF40HC3050DS04V	DF40HC(3,0)-50DS-0.4V(51)	A	50	12.6	9.6	1,06	1,01	0,924	
798-DF40HC3060DS04V	DF40HC(3,0)-60DS-0.4V(51)	A	60	14.6	11.6	1,31	1,25	1,16	
3.5mm Stacking Height									
798-DF40HC3530DS04V	DF40HC(3,5)-30DS-0.4V(51)	A	30	8.6	5.6	1,09	0,784	0,637	
798-DF40HC3550DS04V	DF40HC(3,5)-50DS-0.4V(51)	A	50	12.6	9.6	1,50	1,08	0,891	
798-DF40HC3560DS04V	DF40HC(3,5)-60DS-0.4V(51)	A	60	14.6	11.6	1,50	1,43	1,32	

Headers

For quantities greater than listed, call for quote.

MOUSER STOCK NO.	Hirose Part No.	Fig.	No. of Contacts	Dimensions: mm			Price Each		
				A	B		1	25	100
798-DF40C10DP0.4V51	DF40C-10DP-0.4V(51)	B	10	3.52	1.6	0,63	0,454	0,365	
798-DF40C20DP0.4V51	DF40C-20DP-0.4V(51)	B	20	5.52	3.6	0,69	0,495	0,406	
798-DF40C30DP0.4V51	DF40C-30DP-0.4V(51)	B	30	7.52	5.6	0,82	0,586	0,48	
798-DF40C40DP0.4V51	DF40C-40DP-0.4V(51)	B	40	9.52	7.6	0,91	0,66	0,539	
798-DF40C44DP0.4V51	DF40C-44DP-0.4V(51)	B	44	10.32	8.4	0,75	0,71	0,642	
798-DF40C50DP0.4V51	DF40C-50DP-0.4V(51)	B	50	11.52	9.6	1,09	0,787	0,647	
798-DF40C60DP0.4V51	DF40C-60DP-0.4V(51)	B	60	13.52	11.6	1,23	0,875	0,722	
798-DF40C80DP0.4V51	DF40C-80DP-0.4V(51)	B	80	17.52	15.6	1,50	1,08	0,891	
798-DF40C90DP0.4V51	DF40C-90DP-0.4V(51)	B	90	19.52	17.6	1,19	1,09	0,998	
798-DF40C100DP0.4V51	DF40C-100DP-0.4V(51)	B	100	21.52	19.6	1,50	1,15	0,924	

FH40 SERIES - 0.5MM ABOVE THE BOARD CONNECTORS

- Easy and smooth operation
- LIF structure
- FPC/FFC side catcher
- Useable with horizontal FH28 via common FPC/FFC
- Robust lock structure
- Accepts standard FPC thickness

For quantities greater than listed, call for quote.

MOUSER STOCK NO.	Hirose Part No.	Fig.	No. of Contacts	Dimensions: mm			Price Each		
				A	B	C	1	25	100
798-FH40-10S-0.5SV	FH40-10S-0.5SV	C	10	5.57	8.2	4.5	1,44	1,11	0,891
798-FH40-20S-0.5SV	FH40-20S-0.5SV	C	20	10.57	13.2	9.5	1,82	1,40	1,12
798-FH40-24S-0.5SV	FH40-24S-0.5SV	C	24	12.57	15.2	11.5	2,06	1,58	1,27
798-FH40-30S-0.5SV	FH40-30S-0.5SV	C	30	15.57	18.2	14.5	2,33	1,79	1,44
798-FH40-40S-0.5SV	FH40-40S-0.5SV	C	40	20.57	23.2	19.5	2,52	1,95	1,56
798-FH40-45S-0.5SV	FH40-45S-0.5SV	C	45	23.07	25.7	22.0	2,76	2,13	1,71
798-FH40-50S-0.5SV	FH40-50S-0.5SV	C	50	25.57	28.2	24.5	2,97	2,30	1,84
798-FH40-60S-0.5SV	FH40-60S-0.5SV	C	60	30.57	33.2	29.5	3,56	2,76	2,21
798-FH40-64S-0.5SV	FH40-64S-0.5SV	C	64	32.57	35.2	31.5	3,71	2,87	2,30

DF57 SERIES - SUBSTRATE TWIN (PAIR) CABLE SWING-LOCK CONNECTOR

- 1.2mm pitch, 1.4mm height, low profile connector
- "Swing lock"; Both positive and friction locks are provided for cable pull force resistance
- High current capability; 2.5A (2-pin with AWG#28 cable)
- Solder wicking prevention
- High contact lance strength

Headers

For quantities greater than listed, call for quote.

MOUSER STOCK NO.	Hirose Part No.	Fig.	No. of Contacts	Dimensions: mm			Price Each		
				A	B	C	1	10	50
798-DF57-2P-1.2V21	DF57-2P-1.2V(21)	D	2	4.1	1.2	2.5	0,66	0,536	0,434
798-DF57-3P-1.2V21	DF57-3P-1.2V(21)	D	3	5.3	2.4	3.7	0,69	0,561	0,454
798-DF57-4P-1.2V21	DF57-4P-1.2V(21)	D	4	6.5	3.6	4.9	0,94	0,767	0,617
798-DF57-5P-1.2V21	DF57-5P-1.2V(21)	D	5	7.7	4.8	6.1	0,97	0,792	0,639
798-DF57-6P-1.2V21	DF57-6P-1.2V(21)	D	6	8.9	6.0	7.3	1,00	0,817	0,661

Sockets

For quantities greater than listed, call for quote.

MOUSER STOCK NO.	Hirose Part No.	Fig.	No. of Contacts	Dimensions: mm			Price Each		
				A	B	C	1	10	50
798-DF57-2S-1.2C	DF57-2S-1.2C	E	2	2.98	2.6	1.2	0,35	0,215	0,144
798-DF57-3S-1.2C	DF57-3S-1.2C	E	3	4.18	3.8	2.4	0,39	0,239	0,16
798-DF57-4S-1.2C	DF57-4S-1.2C	E	4	5.38	5.0	3.6	0,39	0,272	0,209
798-DF57-5S-1.2C	DF57-5S-1.2C	E	5	6.58	6.2	4.8	0,42	0,289	0,225
798-DF57-6S-1.2C	DF57-6S-1.2C	E	6	7.78	7.4	6.0	0,45	0,314	0,24

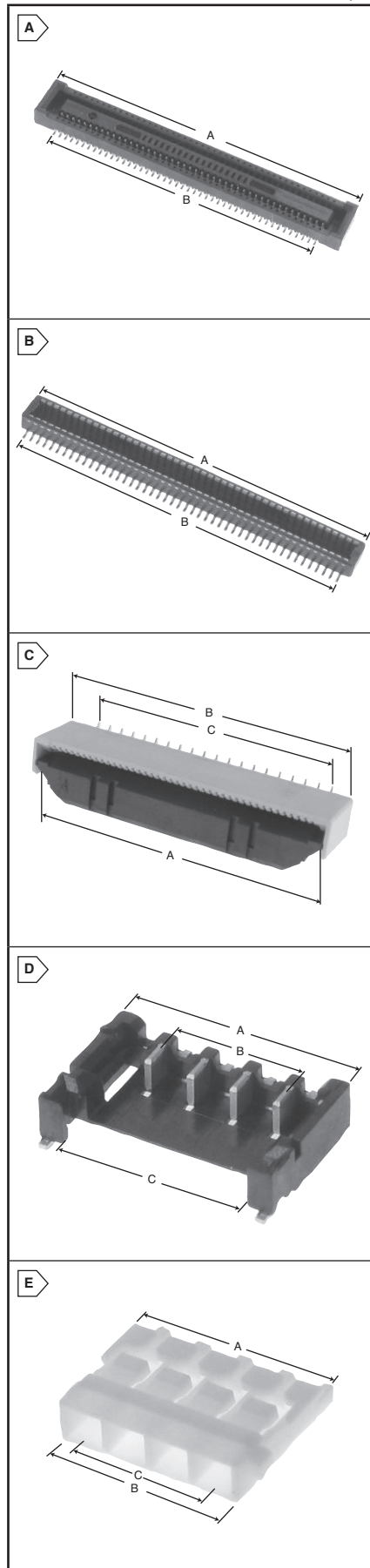
Contact

For quantities greater than listed, call for quote.

MOUSER STOCK NO.	Hirose Part No.	Finish	Price Each			
			1	10	50	100
798-DF57-2830SCF	DF57-2830SCF	Tin	0,07	0,041	0,021	0,017

Tool

MOUSER STOCK NO.	Hirose Part No.	Description	Price Each
798-HT305/DF572830HC	HT305/DF57-2830HC	Hand Crimping Tool	928,79

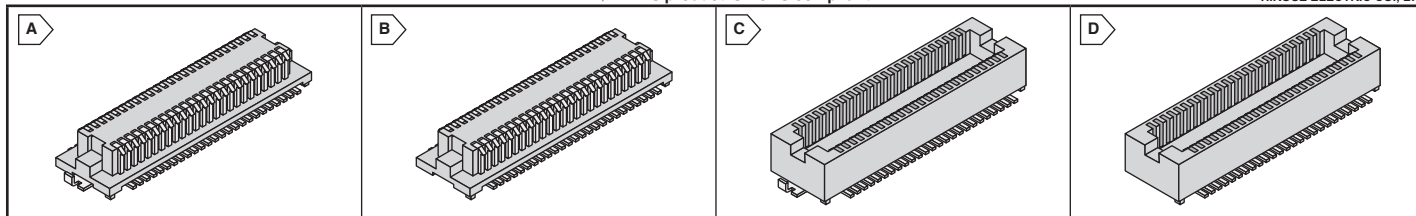


HIROSE 0.5mm SMT Board to Board Connectors



HIROSE ELECTRIC CO., LTD.

RoHS Compliant This product is RoHS compliant.



DF12 SERIES

Receptacles

For quantities greater than listed, call for quote.

MOUSER STOCK NO.	Hirose Part No.	Fig.	No. of Contacts	Price Each	
				1	25
3.0mm Stack Height - With Metal Fitting - With Boss					
798-DF123010DS05V86	DF12(3.0)-10DS-0.5V(86)	A	10	0,72	0,52
798-DF123014DS05V86	DF12(3.0)-14DS-0.5V(86)	A	14	0,81	0,583
798-DF123020DS0.5V86	DF12(3.0)-20DS-0.5V(86)	A	20	0,94	0,677
798-DF123030DS05V86	DF12(3.0)-30DS-0.5V(86)	A	30	1,38	0,998
798-DF123032DS0.5V86	DF12(3.0)-32DS-0.5V(86)	A	32	1,28	0,924
798-DF123036DS0.5V86	DF12(3.0)-36DS-0.5V(86)	A	36	1,53	1,11
798-DF123040DS05V86	DF12(3.0)-40DS-0.5V(86)	A	40	1,51	1,08
798-DF123050DS0.5V86	DF12(3.0)-50DS-0.5V(86)	A	50	1,64	1,25
798-DF123060DS0.5V86	DF12(3.0)-60DS-0.5V(86)	A	60	1,79	1,38
798-DF123080DS05V86	DF12(3.0)-80DS-0.5V(86)	A	80	2,55	1,96

MOUSER STOCK NO.	Hirose Part No.	Fig.	No. of Contacts	Price Each	
				1	25
3.0mm Stack Height - With Metal Fitting - Without Boss					
798-DF12B3010DS05V86	DF12B(3.0)-10DS-0.5V(86)	A	10	0,72	0,52
798-DF12B3014DS05V86	DF12B(3.0)-14DS-0.5V(86)	A	14	0,80	0,583
798-DF12B3020DS05V86	DF12B(3.0)-20DS-0.5V(86)	A	20	0,94	0,677
798-DF12B3030DS05V86	DF12B(3.0)-30DS-0.5V(86)	A	30	1,37	0,99
798-DF12B3032DS05V86	DF12B(3.0)-32DS-0.5V(86)	A	32	1,28	0,924
798-DF12B3036DS05V86	DF12B(3.0)-36DS-0.5V(86)	A	36	1,53	1,11
798-DF12B3040DS05V86	DF12B(3.0)-40DS-0.5V(86)	A	40	1,49	1,08
798-DF12B3050DS05V86	DF12B(3.0)-50DS-0.5V(86)	A	50	1,64	1,25
798-DF12B3060DS05V86	DF12B(3.0)-60DS-0.5V(86)	A	60	1,79	1,38
798-DF12B3080DS05V86	DF12B(3.0)-80DS-0.5V(86)	A	80	2,55	1,95

MOUSER STOCK NO.	Hirose Part No.	Fig.	No. of Contacts	Price Each	
				1	25
3.0mm Stack Height - Without Metal Fitting - With Boss					
798-DF12A3010DS05V81	DF12A(3.0)-10DS-0.5V(81)	B	10	0,65	0,47
798-DF12A3014DS05V81	DF12A(3.0)-14DS-0.5V(81)	B	14	0,75	0,545
798-DF12A3020DS05V81	DF12A(3.0)-20DS-0.5V(81)	B	20	1,36	0,982
798-DF12A3030DS05V81	DF12A(3.0)-30DS-0.5V(81)	B	30	1,58	1,21
798-DF12A3032DS05V81	DF12A(3.0)-32DS-0.5V(81)	B	32	1,66	1,27
798-DF12A3036DS05V81	DF12A(3.0)-36DS-0.5V(81)	B	36	1,82	1,40
798-DF12A3040DS05V81	DF12A(3.0)-40DS-0.5V(81)	B	40	1,99	1,53
798-DF12A3050DS05V81	DF12A(3.0)-50DS-0.5V(81)	B	50	2,36	1,82
798-DF12A3060DS05V81	DF12A(3.0)-60DS-0.5V(81)	B	60	2,47	1,91
798-DF12A3080DS05V81	DF12A(3.0)-80DS-0.5V(81)	B	80	2,67	2,05

MOUSER STOCK NO.	Hirose Part No.	Fig.	No. of Contacts	Price Each	
				1	25
3.5 - 5.0mm Stack Height - With Metal Fitting - With Boss					
798-DF12-20DS-0.5V86	DF12-20DS-0.5V(86)	A	20	0,88	0,635
798-DF12-30DS-0.5V86	DF12-30DS-0.5V(86)	A	30	1,21	0,875
798-DF1232DS05V86	DF12-32DS-0.5V(86)	A	32	1,34	0,965
798-DF12-36DS-0.5V86	DF12-36DS-0.5V(86)	A	36	1,53	1,11
798-DF12-40DS-0.5V86	DF12-40DS-0.5V(86)	A	40	1,37	1,04
798-DF12-50DS-0.5V86	DF12-50DS-0.5V(86)	A	50	1,61	1,23
798-DF12-60DS-0.5V86	DF12-60DS-0.5V(86)	A	60	1,78	1,37

MOUSER STOCK NO.	Hirose Part No.	Fig.	No. of Contacts	Price Each	
				1	25
3.5 - 5.0mm Stack Height - With Metal Fitting - Without Boss					
798-DF12B20DS05V86	DF12B-20DS-0.5V(86)	A	20	0,88	0,635
798-DF12B30DS05V86	DF12B-30DS-0.5V(86)	A	30	1,22	0,883
798-DF12B32DS05V86	DF12B-32DS-0.5V(86)	A	32	1,34	0,965
798-DF12B36DS05V86	DF12B-36DS-0.5V(86)	A	36	1,53	1,11
798-DF12B40DS-0.5V86	DF12B-40DS-0.5V(86)	A	40	1,44	1,04
798-DF12B50DS-0.5V86	DF12B-50DS-0.5V(86)	A	50	1,61	1,23
798-DF12B60DS-0.5V86	DF12B-60DS-0.5V(86)	A	60	1,79	1,38

MOUSER STOCK NO.	Hirose Part No.	Fig.	No. of Contacts	Price Each	
				1	25
3.5 - 5.0mm Stack Height - Without Metal Fitting - With Boss					
798-DF12A20DS-0.5V81	DF12A-20DS-0.5V(81)	B	20	1,41	1,01
798-DF12A30DS-0.5V81	DF12A-30DS-0.5V(81)	B	30	1,63	1,25
798-DF12A32DS05V81	DF12A-32DS-0.5V(81)	B	32	1,99	0,924
798-DF12A36DS-0.5V81	DF12A-36DS-0.5V(81)	B	36	1,88	1,44
798-DF12A40DS-0.5V81	DF12A-40DS-0.5V(81)	B	40	1,91	1,47
798-DF12A50DS-0.5V81	DF12A-50DS-0.5V(81)	B	50	2,42	1,86
798-DF12A60DS-0.5V81	DF12A-60DS-0.5V(81)	B	60	2,81	2,17

Headers

For quantities greater than listed, call for quote.

MOUSER STOCK NO.	Hirose Part No.	Fig.	No. of Contacts	Price Each	
				1	25
3.0mm Stack Height - With Metal Fitting - With Boss					
798-DF123010DP05V86	DF12(3.0)-10DP-0.5V(86)	C	10	0,72	0,52
798-DF123014DP05V86	DF12(3.0)-14DP-0.5V(86)	C	14	0,78	0,561
798-DF123020DP0.5V86	DF12(3.0)-20DP-0.5V(86)	C	20	0,91	0,66
798-DF123030DP05V86	DF12(3.0)-30DP-0.5V(86)	C	30	1,34	0,965
798-DF123032DP0.5V86	DF12(3.0)-32DP-0.5V(86)	C	32	1,25	0,908
798-DF123036DP0.5V86	DF12(3.0)-36DP-0.5V(86)	C	36	1,35	0,974
798-DF123040DP05V86	DF12(3.0)-40DP-0.5V(86)	C	40	1,48	1,06
798-DF123050DP0.5V86	DF12(3.0)-50DP-0.5V(86)	C	50	1,61	1,23
798-DF123060DP0.5V86	DF12(3.0)-60DP-0.5V(86)	C	60	1,72	1,31
798-DF123080DP0.5V86	DF12(3.0)-80DP-0.5V(86)	C	80	2,48	1,90

MOUSER STOCK NO.	Hirose Part No.	Fig.	No. of Contacts	Price Each	
				1	25
3.0mm Stack Height - With Metal Fitting - Without Boss					
798-DF12B3010DP05V86	DF12B(3.0)-10DP-0.5V(86)	C	10	0,72	0,52
798-DF12B3014DP05V86	DF12B(3.0)-14DP-0.5V(86)	C	14	0,78	0,561
798-DF12B3020DP05V86	DF12B(3.0)-20DP-0.5V(86)	C	20	0,90	0,658

Headers (Cont.)

For quantities greater than listed, call for quote.

MOUSER STOCK NO.	Hirose Part No.	Fig.	No. of Contacts	Price Each	
				1	25
3.0mm Stack Height - With Metal Fitting - Without Boss (Cont.)					
798-DF12B3030DP05V86	DF12B(3.0)-30DP-0.5V(86)	C	30	1,34	0,974
798-DF12B3032DP05V86	DF12B(3.0)-32DP-0.5V(86)	C	32	1,25	0,908
798-DF12B3036DP05V86	DF12B(3.0)-36DP-0.5V(86)	C	36	1,34	0,965
798-DF12B3040DP05V86	DF12B(3.0)-40DP-0.5V(86)	C	40	1,46	1,06
798-DF12B3050DP05V86	DF12B(3.0)-50DP-0.5V(86)	C	50	1,61	1,23
798-DF12B3060DP05V86	DF12B(3.0)-60DP-0.5V(86)	C	60	1,72	1,31
798-DF12B3080DP05V86	DF12B(3.0)-80DP-0.5V(86)	C	80	2,47	1,90

MOUSER STOCK NO.	Hirose Part No.	Fig.	No. of Contacts	Price Each	
				1	25
3.0mm Stack Height - Without Metal Fitting - With Boss					
798-DF12D3010DP05V81	DF12D(3.0)-10DP-0.5V(81)	D	10	0,69	0,495
798-DF12D3014DP05V81	DF12D(3.0)-14DP-0.5V(81)	D	14	0,74	0,545
798-DF12D3020DP05V81	DF12D(3.0)-20DP-0.5V(81)	D	20	1,41	1,01
798-DF12D3030DP05V81	DF12D(3.0)-30DP-0.5V(81)	D	30	1,61	1,23
798-DF12D3032DP05V81	DF12D(3.0)-32DP-0.5V(81)	D	32	1,69	1,30
798-DF12D3036DP05V81	DF12D(3.0)-36DP-0.5V(81)	D	36	1,87	1,44
798-DF12D3040DP05V81	DF12D(3.0)-40DP-0.5V(81)	D	40	2,03	1,57
798-DF12D3050DP05V81	DF12D(3.0)-50DP-0.5V(81)	D	50	2,41	1,86
798-DF12D3060DP05V81	DF12D(3.0)-60DP-0.5V(81)	D	60	2,52	1,94
798-DF12D3080DP05V81	DF12D(3.0)-80DP-0.5V(81)	D	80	2,66	2,05

MOUSER STOCK NO.	Hirose Part No.	Fig.	No. of Contacts	Price Each	
				1	25
3.5mm Stack Height - With Metal Fitting - With Boss					
798-DF123520DP0.5V86	DF12(3.5)-20DP-0.5V(86)	C	20	0,97	0,701
798-DF123530DP0.5V86	DF12(3.5)-30DP-0.5V(86)	C	30	1,32	0,949
798-DF123536DP0.5V86	DF12(3.5)-36DP-0.5V(86)	C	36	1,37	1,06
798-DF123540DP0.5V86	DF12(3.5)-40DP-0.5V(86)	C	40	1,45	1,09
798-DF123550DP0.5V86	DF12(3.5)-50DP-0.5V(86)	C	50	1,68	1,30
798-DF123560DP0.5V86	DF12(3.5)-60DP-0.5V(86)	C	60	1,84	1,42

MOUSER STOCK NO.	Hirose Part No.	Fig.	No. of Contacts	Price Each	
				1	25
3.5mm Stack Height - With Metal Fitting - Without Boss					
798-DF12B3520DP05V86	DF12B(3.5)-20DP-0.5V(86)	C	20	0,97	0,701
798-DF12B3530DP05V86	DF12B(3.5)-30DP-0.5V(86)	C	30	1,31	0,941
798-DF12B3536DP05V86	DF12B(3.5)-36DP-0.5V(86)	C	36	1,37	1,06
798-DF12B3540DP05V86	DF12B(3.5)-40DP-0.5V(86)	C	40	1,51	1,09
798-DF12B3550DP05V86	DF12B(3.5)-50DP-0.5V(86)	C	50	1,68	1,29
798-DF12B3560DP05V86	DF12B(3.5)-60DP-0.5V(86)	C	60	1,84	1,41

MOUSER STOCK NO.	Hirose Part No.	Fig.	No. of Contacts	Price Each	
				1	25
3.5mm Stack Height - Without Metal Fitting - With Boss					
798-DF12D3520DP05V81	DF12D(3.5)-20DP-0.5V(81)	D	20	1,32	0,949
798-DF12D3530DP05V81	DF12D(3.5)-30DP-0.5V(81)	D	30	1,61	1,23
798-DF12D3536DP05V81	DF12D(3.5)-36DP-0.5V(81)	D	36	1,85	1,43
798-DF12D3540DP05V81	DF12D(3.5)-40DP-0.5V(81)	D	40	1,91	1,46
798-DF12D3550DP05V81	DF12D(3.5)-50DP-0.5V(81)	D	50	2,38	1,82
798-DF12D3560DP05V81	DF12D(3.5)-60DP-0.5V(81)	D	60	2,51	1,94

MOUSER STOCK NO.	Hirose Part No.	Fig.	No. of Contacts	Price Each	
				1	25
4.0mm Stack Height - With Metal Fitting - With Boss					
798-DF124020DP05V86	DF12(4.0)-20DP-0.5V(86)	C	20	1,29	0,924
798-DF124030DP0.5V86	DF12(4.0)-30DP-0.5V(86)	C	30	1,61	1,23
798-DF124032DP05V86	DF12(4.0)-32DP-0.5V(86)	C	32	1,37	1,05
798-DF124036DP0.5V86	DF12(4.0)-36DP-0.5V(86)	C	36	1,63	1,25
798-DF124040DP0.5V86	DF12(4.0)-40DP-0.5V(86)	C			

HIROSE High Speed Connectors



HIROSE ELECTRIC CO., LTD.

RoHS Compliant This product is RoHS compliant.

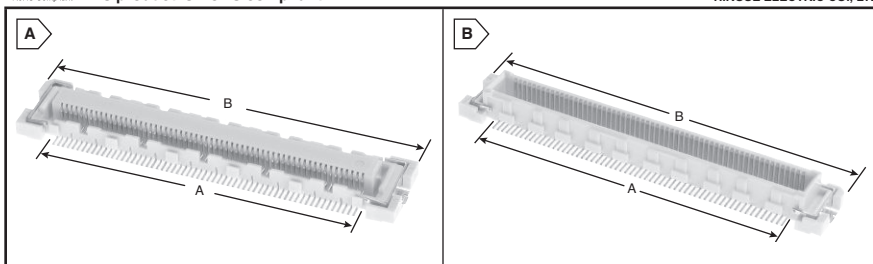
FX10 SERIES - 10+GBPS 0.5MM PITCH STACKING CONNECTORS

Features:

- Board to Board connector with or without grounding plates
- Excellent Grounding Performance
- Low crosstalk
- 0.5mm signal contact pitch for downsizing
- Wide varieties

Specifications:

- Operating Temperature: -55°C to +85°C
- Current Capacity: 0.3A
- Rated Voltage: 50V AC
- Withstanding Voltage: 150V AC, 1 minute
- Contact Resistance*: 1 60mΩ max. (100mA DC)
- Insulation Resistance: 100MΩ min. (100V DC)
- Durability: 50 cycles
- Contact resistance includes conductor resistance



Receptacles

For quantities greater than listed, call for quote.

MOUSER STOCK NO.	Hirose Part No.	Fig.	No. of Contacts		Dimensions: mm		Price Each			
			Signal	Ground	A	B	1	25	100	200
Without Ground Plate, With Guideposts										
798-FX10A96SSV	FX10A-96S-SV	A	96	-	23.5	31.1	4,18	2,89	2,59	2,09
798-FX10A120SSV	FX10A-120S-SV	A	120	-	29.5	37.1	4,76	3,28	2,95	2,38
798-FX10A144SSV	FX10A-144S-SV	A	144	-	35.5	43.1	5,35	3,70	3,32	2,67
798-FX10A168SSV	FX10A-168S-SV	A	168	-	41.5	49.1	5,96	4,11	3,70	2,97
Without Ground Plate, Without Guideposts										
798-FX10B96SSV	FX10B-96S-SV	A	96	-	23.5	31.1	4,18	2,89	2,60	2,09
798-FX10B120SSV	FX10B-120S-SV	A	120	-	29.5	37.1	4,76	3,28	2,95	2,38
798-FX10B144SSV	FX10B-144S-SV	A	144	-	35.5	43.1	5,35	3,70	3,32	2,67
798-FX10B168SSV	FX10B-168S-SV	A	168	-	41.5	49.1	5,96	4,11	3,77	3,47
With Ground Plate, Without Guideposts										
798-FX10B100S10SV71	FX10B-100S/10-SV(71)	A	100	10	29.5	37.1	5,53	4,28	3,42	2,76
798-FX10B140S14SV71	FX10B-140S/14-SV(71)	A	140	14	41.5	49.1	6,15	4,97	3,90	3,25

Headers

For quantities greater than listed, call for quote.

MOUSER STOCK NO.	Hirose Part No.	Fig.	No. of Contacts		Dimensions: mm		Price Each			
			Signal	Ground	A	B	1	25	100	200
4mm Stacking Height - Without Ground Plate, With Guideposts										
798-FX10A96PSV71	FX10A-96P-SV(71)	B	96	-	23.5	31.1	4,13	2,85	2,56	2,06
798-FX10A120PSV71	FX10A-120P-SV(71)	B	120	-	29.5	37.1	4,92	3,15	3,04	2,45
798-FX10A144PSV71	FX10A-144P-SV(71)	B	144	-	35.5	43.1	5,00	3,45	3,09	2,49
798-FX10A168PSV71	FX10A-168P-SV(71)	B	168	-	41.5	49.1	4,83	3,70	3,51	3,34
4mm Stacking Height - Without Ground Plate, Without Guideposts										
798-FX10B96PSV71	FX10B-96P-SV(71)	B	96	-	23.5	31.1	4,13	2,85	2,56	2,06
798-FX10B120PSV71	FX10B-120P-SV(71)	B	120	-	29.5	37.1	4,91	3,15	3,04	2,45
798-FX10B144PSV71	FX10B-144P-SV(71)	B	144	-	35.5	43.1	5,00	3,45	3,09	2,49
798-FX10B168PSV71	FX10B-168P-SV(71)	B	168	-	41.5	49.1	5,88	3,76	3,64	2,95
4mm Stacking Height - With Ground Plate, Without Guideposts										
798-FX10B80P8SV71	FX10B-80P/8-SV(71)	B	80	8	23.5	31.1	4,90	3,80	3,04	2,45
798-FX10B100P10SV71	FX10B-100P/10-SV(71)	B	100	10	29.5	37.1	5,45	4,23	3,38	2,73
798-FX10B120P12SV71	FX10B-120P/12-SV(71)	B	120	12	35.5	43.1	5,95	4,61	3,69	2,97
798-FX10B140P14SV71	FX10B-140P/14-SV(71)	B	140	14	41.5	49.1	5,86	4,72	3,70	3,09
5mm Stacking Height - Without Ground Plate, With Guideposts										
798-FX10A96PSV171	FX10A-96P-SV1(71)	B	96	-	23.5	31.1	4,13	2,85	2,56	2,06
798-FX10A120PSV171	FX10A-120P-SV1(71)	B	120	-	29.5	37.1	4,91	3,15	3,04	2,45
798-FX10A144PSV171	FX10A-144P-SV1(71)	B	144	-	35.5	43.1	5,00	3,45	3,09	2,49
798-FX10A168PSV171	FX10A-168P-SV1(71)	B	168	-	41.5	49.1	5,45	3,76	3,38	2,73
5mm Stacking Height - Without Ground Plate, Without Guideposts										
798-FX10B96PSV171	FX10B-96P-SV1(71)	B	96	-	23.5	31.1	4,13	2,85	2,57	2,07
798-FX10B120PSV171	FX10B-120P-SV1(71)	B	120	-	29.5	37.1	4,91	3,15	3,04	2,45
798-FX10B144PSV171	FX10B-144P-SV1(71)	B	144	-	35.5	43.1	5,21	3,60	3,30	3,04
798-FX10B168PSV171	FX10B-168P-SV1(71)	B	168	-	41.5	49.1	5,89	3,76	3,65	2,94
5mm Stacking Height - With Ground Plate, Without Guideposts										
798-FX10B80P8SV171	FX10B-80P/8-SV1(71)	B	80	8	23.5	31.1	4,90	3,80	3,04	2,45
798-FX10B100P10SV171	FX10B-100P/10-SV1(71)	B	100	10	29.5	37.1	5,43	4,21	3,37	2,71
798-FX10B120P12SV171	FX10B-120P/12-SV1(71)	B	120	12	35.5	43.1	5,91	4,58	3,66	2,95
798-FX10B140P14SV171	FX10B-140P/14-SV1(71)	B	140	14	41.5	49.1	5,82	4,69	3,68	3,07

FX11 SERIES 0.5MM PITCH BOARD-TO-BOARD CONNECTORS

Features:

- The transmission characteristics have been improved through a design that fixes ground plates to both sides of the header and receptacle
- Signal and ground are arranged in a ratio of 10:1 to stabilize the ground
- The secured mating length of the contact block is 0.55mm

- Reinforced fittings that make a firm connection to the ground also provide greater adhesion to the board, protecting against peeling
- Low-profile connectors, yet a solder gap has been designed into the contact SMT portion to prevent solder from migrating

Applications:

- Notebook PCs
- Portable terminals (PDA)
- Portable electronic equipment



Receptacles

For quantities greater than listed, call for quote.

MOUSER STOCK NO.	Hirose Part No.	Fig.	Signal	Ground	Ground Plate	Dimensions: mm		Price Each		
						A	B	1	25	100
798-FX11LA60S6SV71	FX11LA-60S/6-SV(71)	A	60	6	with	17.5	25	4,11	3,18	2,55
798-FX11LA80S8SV71	FX11LA-80S/8-SV(71)	A	80	8	with	23.5	31	4,57	3,54	2,84
798-FX11LA92SSV21	FX11LA-92S-SV(21)	A	92	-	without	24	31	3,85	2,98	2,38
798-FX11LA100S10SV71	FX11LA-100S/10-SV(71)	A	100	10	with	29.5	37	5,02	3,89	3,12
798-FX11LA120S12SV71	FX11LA-120S/12-SV(71)	A	120	12	with	35.5	43	5,48	4,25	3,39
* 798-FX11LB120S12SV71	FX11LB-120S/12-SV(71)	A	120	12	with	35.5	43	5,48	4,24	3,39

* Without Guideposts

Headers

For quantities greater than listed, call for quote.

MOUSER STOCK NO.	Hirose Part No.	Fig.	Signal	Ground	Ground Plate	Dimensions: mm		Price Each		
						A	B	1	25	100
798-FX11LA60P6SV71	FX11LA-60P/6-SV(71)	B	60	6	with	17.5	25	3,98	3,08	2,46
798-FX11LA80P8SV71	FX11LA-80P/8-SV(71)	B	80	8	with	23.5	31	4,42	3,42	2,75
798-FX11LA92PSV21	FX11LA-92P-SV(21)	B	92	-	without	24	31	3,23	2,50	2,00
798-FX11LA100P10SV71	FX11LA-100P/10-SV(71)	B	100	10	with	29.5	37	4,85	3,77	3,01
798-FX11LA120P12SV71	FX11LA-120P/12-SV(71)	B	120	12	with	35.5	43	5,29	4,10	3,28
* 798-FX11LB120P12SV71	FX11LB-120P/12-SV(71)	B	120	12	with	35.5	43	5,29	4,09	3,28

* Without Guideposts

© Copyright 2012 Mouser Electronics

© Copyright 2012 Mouser Electronics

HIROSE FPC/FFC Connectors



HIROSE ELECTRIC CO., LTD.

Common Features:

- Ease of Use and Space Savings: The Flip-lock design allows for the placement of 2 or more connectors side by side as there is no need to waste additional space for a side latch.
- Strengthened Flip-lock Actuator: The standard Flip-lock requires only 2.0mm height above the board. A strengthened lock lever is available which only requires an additional 0.4mm.
- Supports Thin FPC (0.18mm): Does not require double-sided FPC to have any additional strengthening plate or stiffener and can therefore support a thickness of as little as 0.18mm ±0.05.
- Prevention of Solder Bridge: Excess solder cavity absorbs excessive solder and avoids solder bridging.
- Three different assembly types: Top & Bottom Contact and Vertical Mount

Common Specifications:

- Current Rating: 0.5A
- Voltage Rating: 50VAC
- Operating Temperature: -40°C to +70°C

Materials:

- Insulator: Polyamide, LCP, Beige, UL94V-0
- Actuator: PPS, Dark Brown, UL94V-0
- Metal Fittings: Brass-Tin Plated

Applications:

- Notebook computers
- Printers
- PDAs
- Digital cameras
- Other compact devices for interconnecting the main circuit board with the LCD, HDD or other device

0.5MM - RIGHT ANGLE - GOLD

For quantities greater than listed, call for quote.

MOUSER STOCK NO.	Hirose Part No.	Fig.	No. of Circuits	Dimensions: mm					Price Each			
				A	B	C	D	E	1	25	100	
Bottom Contact												
798-FH12-6S-0.5SH55	FH12-6S-0.5SH(55)	A	6	2.5	6.1	7.1	3.57	-	1,48	1,13	0,908	
798-FH12-10S-0.5SH55	FH12-10S-0.5SH(55)	A	10	4.5	8.1	9.1	5.57	-	1,63	1,25	1,01	
798-FH12-11S-0.5SH55	FH12-11S-0.5SH(55)	A	11	5.0	8.6	9.6	6.07	-	1,67	1,28	0,842	
798-FH12-12S-0.5SH55	FH12-12S-0.5SH(55)	A	12	5.5	9.1	10.1	6.57	-	1,72	1,32	1,06	
798-FH12-14S-0.5SH55	FH12-14S-0.5SH(55)	A	14	6.5	10.1	11.1	7.57	-	1,80	1,38	0,916	
798-FH12-15S-0.5SH55	FH12-15S-0.5SH(55)	A	15	7.0	10.6	11.6	8.07	-	1,88	1,44	1,16	
798-FH12-16S-0.5SH55	FH12-16S-0.5SH(55)	A	16	7.5	11.1	12.1	8.57	-	1,91	1,46	0,965	
798-FH12-18S-0.5SH55	FH12-18S-0.5SH(55)	A	18	8.5	12.1	13.1	9.57	-	2,04	1,57	1,25	
798-FH12-20S-0.5SH55	FH12-20S-0.5SH(55)	A	20	9.5	13.1	14.1	10.57	-	2,12	1,63	1,30	
798-FH12-22S-0.5SH55	FH12-22S-0.5SH(55)	A	22	10.5	14.1	15.1	11.57	-	2,20	1,69	1,35	
798-FH12-24S-0.5SH55	FH12-24S-0.5SH(55)	A	24	11.5	15.1	16.1	12.57	-	2,31	1,77	1,42	
798-FH12-26S-0.5SH55	FH12-26S-0.5SH(55)	A	26	12.5	16.1	17.1	13.57	-	2,44	1,87	1,50	
798-FH12-28S-0.5SH55	FH12-28S-0.5SH(55)	A	28	13.5	17.1	18.1	14.57	-	2,05	1,96	1,68	
798-FH12-30S-0.5SH55	FH12-30S-0.5SH(55)	A	30	14.5	18.1	19.1	15.57	-	2,55	1,96	1,57	
798-FH12-32S-0.5SH55	FH12-32S-0.5SH(55)	A	32	15.5	19.1	20.1	16.57	-	2,47	1,91	1,53	
798-FH12-33S-0.5SH55	FH12-33S-0.5SH(55)	A	33	16.0	19.6	20.6	17.07	-	2,53	1,96	1,57	
798-FH12-34S-0.5SH55	FH12-34S-0.5SH(55)	A	34	16.05	20.01	21.1	17.57	-	2,53	1,96	1,57	
798-FH12-36S-0.5SH55	FH12-36S-0.5SH(55)	A	36	17.5	21.1	22.1	18.57	-	2,61	2,02	1,62	
798-FH12-40S-0.5SH55	FH12-40S-0.5SH(55)	A	40	19.5	23.1	24.1	20.57	-	2,87	2,23	1,78	
798-FH12-45S-0.5SH55	FH12-45S-0.5SH(55)	A	45	22.0	25.6	26.6	23.07	-	3,18	2,47	1,97	
798-FH12-50S-0.5SH55	FH12-50S-0.5SH(55)	A	50	24.5	28.1	29.1	25.57	-	3,45	2,67	2,14	
Bottom Contact With Strengthened Lock Lever												
798-FH12S-30S-0.5SH55	FH12S-30S-0.5SH(55)	A	30	14.5	18.1	19.1	15.57	-	2,55	1,96	1,30	
798-FH12S-40S-0.5SH55	FH12S-40S-0.5SH(55)	A	40	19.5	23.1	24.1	20.57	-	2,80	2,17	1,39	
798-FH12S-45S-0.5SH55	FH12S-45S-0.5SH(55)	A	45	22.0	25.6	26.6	23.07	-	3,18	2,47	1,58	
Top Contact												
798-FH12A-10S0.5SH55	FH12A-10S-0.5SH(55)	B	10	9.1	8.35	4.5	9.5	5.57	1,53	1,11	0,908	
798-FH12A-12S0.5SH55	FH12A-12S-0.5SH(55)	B	12	10.1	9.35	5.5	10.5	6.57	1,39	1,07	0,858	
798-FH12A-16S-0.5SH55	FH12A-16S-0.5SH(55)	B	16	12.1	11.4	7.5	12.5	8.57	1,58	1,21	0,80	
798-FH12A-18S0.5SH55	FH12A-18S-0.5SH(55)	B	18	13.1	12.35	8.5	13.5	9.57	1,67	1,28	1,02	
798-FH12A-20S0.5SH55	FH12A-20S-0.5SH(55)	B	20	14.1	13.35	9.5	14.5	10.57	1,63	1,25	1,01	
798-FH12A-24S0.5SH55	FH12A-24S-0.5SH(55)	B	24	16.1	15.35	11.5	16.5	12.57	1,91	1,46	1,17	
798-FH12A-30S0.5SH55	FH12A-30S-0.5SH(55)	B	30	19.1	18.35	14.5	19.5	15.57	2,28	1,75	1,40	
798-FH12A-32S0.5SH55	FH12A-32S-0.5SH(55)	B	32	20.1	19.35	15.5	20.5	16.57	2,36	1,82	1,45	
798-FH12A-33S0.5SH55	FH12A-33S-0.5SH(55)	B	33	20.6	19.85	16.0	21.0	17.07	2,44	1,87	1,50	
798-FH12A-36S0.5SH55	FH12A-36S-0.5SH(55)	B	36	22.1	21.35	17.5	22.5	18.57	2,60	2,00	1,60	
798-FH12A-40S0.5SH55	FH12A-40S-0.5SH(55)	B	40	24.1	23.35	19.5	24.5	20.57	2,53	1,96	1,57	
798-FH12A-50S0.5SH55	FH12A-50S-0.5SH(55)	B	50	29.1	28.35	24.5	29.5	25.57	3,14	2,43	1,94	

0.5MM - VERTICAL MOUNT - GOLD

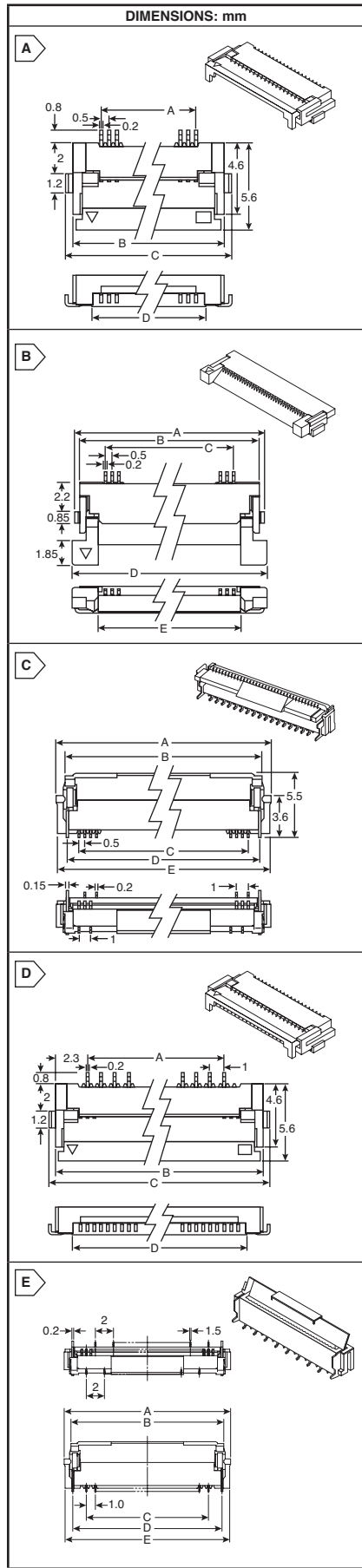
798-FH12-10S-0.5SV55	FH12-10S-0.5SV(55)	C	10	8.4	6.9	4.5	6.5	8.2	1,42	1,09	0,875
798-FH12-12S-0.5SV55	FH12-12S-0.5SV(55)	C	12	9.4	7.9	5.5	7.5	9.2	1,58	1,21	0,974
798-FH12-15S-0.5SV55	FH12-15S-0.5SV(55)	C	15	10.9	9.4	7.0	9.0	10.7	1,80	1,38	1,11
798-FH12-16S-0.5SV55	FH12-16S-0.5SV(55)	C	16	11.4	9.9	7.5	9.5	11.2	1,82	1,40	1,12
798-FH12-18S-0.5SV55	FH12-18S-0.5SV(55)	C	18	12.4	10.9	8.5	10.5	12.2	1,96	1,50	1,20
798-FH12-20S-0.5SV55	FH12-20S-0.5SV(55)	C	20	13.4	11.9	9.5	11.5	13.2	2,06	1,58	1,27
798-FH12-22S-0.5SV55	FH12-22S-0.5SV(55)	C	22	14.4	12.9	10.5	12.5	14.2	2,20	1,69	1,35
798-FH12-24S-0.5SV55	FH12-24S-0.5SV(55)	C	24	15.4	13.9	11.5	13.5	15.2	2,36	1,82	1,45
798-FH12-26S-0.5SV55	FH12-26S-0.5SV(55)	C	26	16.4	14.9	12.5	14.5	16.2	2,44	1,87	1,50
798-FH12-30S-0.5SV55	FH12-30S-0.5SV(55)	C	30	18.4	16.9	14.5	16.5	18.2	2,39	1,86	1,49
798-FH12-33S-0.5SV55	FH12-33S-0.5SV(55)	C	33	19.9	18.4	16.0	18.0	19.7	2,61	2,02	1,62
798-FH12-36S-0.5SV55	FH12-36S-0.5SV(55)	C	36	21.4	19.9	17.5	19.5	21.2	2,90	2,24	1,79
798-FH12-40S-0.5SV55	FH12-40S-0.5SV(55)	C	40	23.4	21.9	19.5	21.5	23.2	3,14	2,43	1,94
798-FH12-45S-0.5SV55	FH12-45S-0.5SV(55)	C	45	25.9	24.4	22.0	24.0	25.7	3,35	2,60	2,08
798-FH12-50S-0.5SV55	FH12-50S-0.5SV(55)	C	50	28.4	26.9	24.5	26.5	28.2	3,59	2,78	2,23
798-FH12-60S-0.5SV55	FH12-60S-0.5SV(55)	C	60	33.4	31.9	29.5	31.5	33.2	3,99	3,09	2,48

1MM - RIGHT ANGLE - BOTTOM CONTACT - GOLD

798-FH12-5S-1SH55	FH12-5S-1SH(55)	D	5	4.0	8.6	9.6	6.07	2.3	1,25	0,908	0,743
798-FH12-6S-1SH55	FH12-6S-1SH(55)	D	6	5.0	9.6	10.6	7.07	2.3	1,29	0,924	0,759
798-FH12-7S-1SH55	FH12-7S-1SH(55)	D	7	6.0	10.6	11.6	8.07	2.3	1,34	0,974	0,792
798-FH12-8S-1SH55	FH12-8S-1SH(55)	D	8	7.0	11.6	12.6	9.07	2.3	1,38	0,998	0,817
798-FH12-9S-1SH55	FH12-9S-1SH(55)	D	9	8.0	12.6	13.6	10.07	2.3	1,37	0,982	0,809
798-FH12-11S-1SH55	FH12-11S-1SH(55)	D	11	10.0	14.6	15.6	12.07	2.3	1,34	1,03	0,685
798-FH12-16S-1SH55	FH12-16S-1SH(55)	D	16	15.0	19.6	20.6	17.07	2.3	1,56	1,20	0,957
798-FH12-22S-1SH55	FH12-22S-1SH(55)	D	22	21.0	25.6	26.6	23.07	2.3	1,72	1,32	1,06
798-FH12-26S-1SH55	FH12-26S-1SH(55)	D	26	25.0	29.6	30.6	27.07	2.3	1,88	1,44	1,16

1MM - VERTICAL MOUNT - GOLD

798-FH12-6S-1SV55	FH12-6S-1SV(55)	E	6	9.9	8.4	5.0	8.0	9.7	1,34	1,03	0,825
798-FH12-8S-1SV55	FH12-8S-1SV(55)	E	8	11.9	10.4	7.0	10.0	11.7	1,42	1,09	0,875
798-FH12-16S-1SV55	FH12-16S-1SV(55)	E	16	19.9	18.4	15.0	18.0	19.7	1,82	1,40	1,12
798-FH12-20S-1SV55	FH12-20S-1SV(55)	E	20	23.9	22.4	19.0	22.0	23.7	2,06	1,58	1,27
798-FH12-24S-1SV55	FH12-24S-1SV(55)	E	24	27.9	26.4	23.0	26.0	27.7	2,36	1,82	1,45



Rectangular Connectors Hirose

HIROSE High Speed Connectors



This product is RoHS compliant.



HIROSE ELECTRIC CO., LTD.

IT3 HIGH-SPEED MEZZANINE CONNECTORS

Features:

- Handles speeds over 10+Gbps
- Differential, single ended, and power
- Low mating/extracting forces
- Wide misalignment tolerances
- Stacking heights from 15 to 40mm
- Both SnPb and Pb-free are available
- Excellent reflow solderability

Specifications:

- Low-Level Contact Resistance: 50m Ωmax
- Dielectric Withstanding Voltage: 150V / 1min.
- Insulation Resistance: 1000M Ω / 100V
- Contact Current Rating: 1.0A continuous duty
- Dielectric withstanding voltage: 600Vrms
- Rated voltage: 50Vrms



RoHS Compliant

Receptacles

For quantities greater than listed, call for quote.

MOUSER STOCK NO.	Hirose Part No.	Fig.	No. of Pos.	Type	Dimensions (mm)		Price Each			
					A	B	1	25	100	250
SnPb										
798-IT3D-100S-BGA57	IT3D-100S-BGA(57)	A	100	Mating	21.0	19.2	14,39	12,59	11,14	9,56
798-IT3M-100S-BGA57	IT3M-100S-BGA(57)	B	100	Mounting	21.0	19.2	14,39	12,59	11,14	9,56
798-IT3D2-180S-BGA57	IT3D2-180S-BGA(57)	A	180	Mating	38.5	19.2	20,25	18,90	17,56	17,22
798-IT3M2-180S-BGA57	IT3M2-180S-BGA(57)	B	180	Mounting	38.5	19.2	20,25	18,90	17,56	17,22
798-IT3D-200S-BGA57	IT3D-200S-BGA(57)	A	200	Mating	38.5	19.2	21,76	20,30	18,84	18,48
798-IT3M-200S-BGA57	IT3M-200S-BGA(57)	B	200	Mounting	38.5	19.2	21,76	20,30	18,84	18,48
798-IT3D-300S-BGA57	IT3D-300S-BGA(57)	A	300	Mating	56.0	19.2	31,35	29,25	27,15	26,63
798-IT3M-300S-BGA57	IT3M-300S-BGA(57)	B	300	Mounting	56.0	19.2	31,35	29,25	27,15	26,63
Pb Free										
798-IT3D-100S-BGA37	IT3D-100S-BGA(37)	A	100	Mating	21.0	19.2	14,39	12,59	11,14	9,56
798-IT3M-100S-BGA37	IT3M-100S-BGA(37)	B	100	Mounting	21.0	19.2	14,39	12,59	11,14	9,56
798-IT3D-200S-BGA37	IT3D-200S-BGA(37)	A	200	Mating	38.5	19.2	16,00	16,00	16,00	16,00
798-IT3M-200S-BGA37	IT3M-200S-BGA(37)	B	200	Mounting	38.5	19.2	16,00	16,00	16,00	16,00
798-IT3D-300S-BGA37	IT3D-300S-BGA(37)	A	300	Mating	56.0	19.2	21,45	20,01	19,21	19,21
798-IT3M-300S-BGA37	IT3M-300S-BGA(37)	B	300	Mounting	56.0	19.2	23,06	23,06	23,06	23,06

Interposers

For quantities greater than listed, call for quote.

MOUSER STOCK NO.	Hirose Part No.	Fig.	No. of Pos.	Stack Height (mm)	Dimensions (mm)		Price Each			
					A ± .5	B ± .5	1	25	100	250
798-IT3-200P-17H03	IT3-200P-17H(03)	C	200	17	41.5	21.0	29,22	27,27	25,31	24,83
798-IT3-300P-17H03	IT3-300P-17H(03)	C	300	17	59.0	21.0	31,17	31,17	31,17	31,17
798-IT3-100P-20H03	IT3-100P-20H(03)	C	100	20	18.8	21.0	16,74	15,31	13,79	12,80
798-IT3-200P-20H03	IT3-200P-20H(03)	C	200	20	18.8	21.0	31,42	29,32	27,23	26,69
798-IT3-300P-20H03	IT3-300P-20H(03)	C	300	20	18.8	21.0	42,42	39,39	37,88	37,12
798-IT3-200P-22H03	IT3-200P-22H(03)	C	200	22	20.8	21.0	31,51	29,39	27,30	26,78
798-IT3-300P-22H03	IT3-300P-22H(03)	C	300	22	20.8	21.0	43,54	40,43	38,87	38,09
798-IT3-100P-25H03	IT3-100P-25H(03)	C	100	25	23.8	21.0	16,98	15,53	13,98	12,99
798-IT3M2-180P-25H03	IT3M2-180P-25H(03)	C	180	25	23.8	21.0	30,94	28,86	26,80	26,28
798-IT3-200P-25H03	IT3-200P-25H(03)	C	200	25	23.8	21.0	31,42	29,32	27,23	26,69
798-IT3-300P-25H03	IT3-300P-25H(03)	C	300	25	23.8	21.0	43,56	40,45	38,89	38,11
798-IT3-100P-26H03	IT3-100P-26H(03)	C	100	26	24.8	21.0	17,06	15,60	14,05	13,34
798-IT3-200P-26H03	IT3-200P-26H(03)	C	200	26	24.8	21.0	32,65	30,46	28,29	27,74
798-IT3-300P-26H03	IT3-300P-26H(03)	C	300	26	24.8	21.0	34,83	34,83	34,83	34,83
798-IT3-100P-28H03	IT3-100P-28H(03)	C	100	28	26.8	21.0	18,17	16,95	15,75	15,44
798-IT3M2-180P-28H03	IT3M2-180P-28H(03)	C	180	28	26.8	21.0	30,47	28,42	26,40	25,89
798-IT3-200P-28H03	IT3-200P-28H(03)	C	200	28	26.8	21.0	32,89	30,69	28,50	27,95
798-IT3-300P-28H03	IT3-300P-28H(03)	C	300	28	26.8	21.0	44,53	41,35	39,76	38,96
798-IT3-200P-30H03	IT3-200P-30H(03)	C	200	30	28.8	21.0	33,86	31,59	29,34	28,77
798-IT3-300P-30H03	IT3-300P-30H(03)	C	300	30	28.8	21.0	45,76	42,50	40,85	40,04
798-IT3-200P-32H03	IT3-200P-32H(03)	C	200	32	30.8	21.0	35,47	33,10	30,73	30,15
798-IT3-300P-32H03	IT3-300P-32H(03)	C	300	32	30.8	21.0	45,98	42,69	41,05	40,61
798-IT3-300P-40H03	IT3-300P-40H(03)	C	300	40	38.8	21.0	54,86	50,94	48,98	48,00

FX18 SERIES - HIGH SPEED BOARD TO BOARD CONNECTORS

Features:

- High-speed transmission capability up to 10 Gbps
- MF contact (multi functional contact) as:
 - ground contact to enhance grounding
 - power supply contacts up to 12 A to reduce required pin counts
 - 3-step sequential contacts for grounding and detection
- Effective mating length of signal contact: 2.0 mm
- Large mating guide for easy mating
- Smooth insertion
- Coplanar and vertical mating styles are available

Specifications:

- Operating Temperature Range: -55°C to +85°C
- Rated Current: Signal Contact: 0.5A, Metal Hold-Down: 3 A
- Rated Voltage: AC 100 V
- Insulation Resistance: Min. 1000 MΩ (DC 250 V)
- Withstanding Voltage: AC 300 V for 1 minute
- Contact Resistance: Signal Contact: Max. 90 mΩ, Metal Hold-Down: Max. 30 mΩ
- Durability: 500 time
- Includes the temperature rising by current carrying



RoHS Compliant

Receptacles

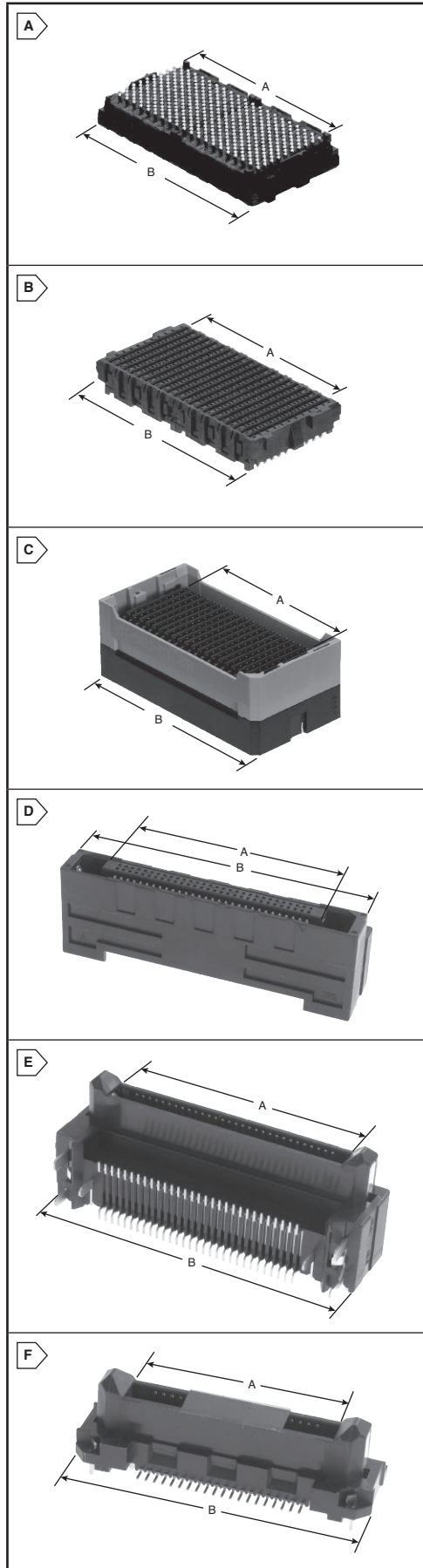
For quantities greater than listed, call for quote.

MOUSER STOCK NO.	Hirose Part No.	Fig.	No. of Contacts	Dimensions (mm)		Price Each			
				A	B	1	25	100	250
798-FX18-40S-0.8SH	FX18-40S-0.8SH	D	40	15.2	27.9	5,45	4,23	3,38	2,72
798-FX18-60S-0.8SH	FX18-60S-0.8SH	D	60	23.2	35.9	5,51	4,45	3,50	2,91
798-FX18-120S-0.8SH	FX18-120S-0.8SH	D	120	47.2	59.9	7,33	5,92	4,65	3,88

Headers

For quantities greater than listed, call for quote.

MOUSER STOCK NO.	Hirose Part No.	Fig.	No. of Contacts	Dimensions (mm)		Price Each				
				A	B	1	25	100	250	
Right Angle										
798-FX18-40P-0.8SH	FX18-40P-0.8SH	E	40	15.2	27.9	5,45	4,23	3,38	2,72	
798-FX18-60P-0.8SH	FX18-60P-0.8SH	E	60	23.2	35.9	5,51	4,45	3,50	2,91	
798-FX18-120P-0.8SH	FX18-120P-0.8SH	E	120	47.2	59.9	7,33	5,92	4,65	3,88	
Straight										
798-FX18-40P-0.8SV	FX18-40P-0.8SV	F	40	15.2	27.9	4,55	3,52	2,82	2,27	
798-FX18-60P-0.8SV	FX18-60P-0.8SV	F	60	23.2	35.9	5,02	3,89	3,12	2,51	
798-FX18-120P-0.8SV	FX18-120P-0.8SV	F	120	47.2	59.9	5,80	4,68	3,67	3,06	



HIROSE Wire-to-Board Connectors



HIROSE ELECTRIC CO., LTD.

DF13 SERIES- 1.25MM MINIATURE CRIMPING CONNECTORS

Housings-Single Row For quantities greater than listed, call for quote.

MOUSER STOCK NO.	Hirose Part No.	Fig.	No. of Positions	Dimensions: mm		Price Each		
				A	B	1	25	100
Crimp Receptacle Housings - Single Row								
798-DF13-2S-1.25C	DF13-2S-1.25C	A	2	4.15	1.25	0,25	0,107	0,06
798-DF13-3S-1.25C	DF13-3S-1.25C	A	3	5.40	2.50	0,20	0,083	0,06
798-DF13-4S-1.25C	DF13-4S-1.25C	A	4	6.65	3.75	0,23	0,107	0,083
798-DF13-5S-1.25C	DF13-5S-1.25C	A	5	7.90	5.00	0,24	0,116	0,083
798-DF13-6S-1.25C	DF13-6S-1.25C	A	6	9.15	6.25	0,26	0,116	0,093
798-DF13-7S-1.25C	DF13-7S-1.25C	A	7	10.40	7.50	0,27	0,124	0,092
798-DF13-8S-1.25C	DF13-8S-1.25C	A	8	11.65	8.75	0,41	0,19	0,142
798-DF13-9S-1.25C	DF13-9S-1.25C	A	9	12.90	10.00	0,22	0,182	0,163
798-DF13-10S-1.25C	DF13-10S-1.25C	A	10	14.15	11.25	0,44	0,206	0,153
798-DF13-12S-1.25C	DF13-12S-1.25C	A	12	16.65	13.75	0,35	0,206	0,161
798-DF13-14S-1.25C	DF13-14S-1.25C	A	14	19.15	16.25	0,41	0,248	0,194
798-DF1315S125C	DF13-15S-1.25C	A	15	20.40	17.50	0,45	0,215	0,161

Headers-Single Row

For quantities greater than listed, call for quote.

MOUSER STOCK NO.	Hirose Part No.	Fig.	No. of Positions	Dimensions: mm		Price Each		
				A	B	1	25	100
Single Row - Vertical - Tin - Thru Hole - With Boss								
798-DF13-2P-1.25DSA	DF13-2P-1.25DSA	B	2	4.15	1.25	0,42	0,19	0,142
798-DF13-3P-1.25DSA	DF13-3P-1.25DSA	B	3	5.40	2.50	0,36	0,215	0,16
798-DF13-4P-1.25DSA	DF13-4P-1.25DSA	B	4	6.65	3.75	0,48	0,281	0,22
798-DF13-5P-1.25DSA	DF13-5P-1.25DSA	B	5	7.90	5.00	0,54	0,314	0,245
798-DF13-6P-1.25DSA	DF13-6P-1.25DSA	B	6	9.15	6.25	0,60	0,355	0,28
798-DF13-7P-1.25DSA	DF13-7P-1.25DSA	B	7	10.40	7.50	0,50	0,355	0,297
798-DF13-8P-1.25DSA	DF13-8P-1.25DSA	B	8	11.65	8.75	0,63	0,413	0,371
798-DF13-9P-1.25DSA	DF13-9P-1.25DSA	B	9	12.90	10.00	0,63	0,413	0,371
798-DF139P125DSA20	DF13-9P-1.25DSA(20)	B	9	12.90	10.00	0,97	0,696	0,573
798-DF13-10P-1.25DSA	DF13-10P-1.25DSA	B	10	14.15	11.25	0,72	0,52	0,421
798-DF13-11P-1.25DSA	DF13-11P-1.25DSA	B	11	15.40	12.50	0,72	0,47	0,427
798-DF13-12P-1.25DSA	DF13-12P-1.25DSA	B	12	16.65	13.75	0,78	0,569	0,464
798-DF13-13P-1.25DSA	DF13-13P-1.25DSA	B	13	17.90	15.00	0,82	0,586	0,483
798-DF13-14P-1.25DSA	DF13-14P-1.25DSA	B	14	19.15	16.25	0,85	0,611	0,495
798-DF13-15P-1.25DSA	DF13-15P-1.25DSA	B	15	20.40	17.50	0,90	0,658	0,538

Single Row - Vertical - Gold - Thru Hole - With Boss

798-DF132P125DSA50	DF13-2P-1.25DSA(50)	C	2	4.15	1.25	0,54	0,38	0,312
798-DF134P125DSA50	DF13-4P-1.25DSA(50)	C	4	6.65	3.75	0,73	0,52	0,422
798-DF135P125DSA50	DF13-5P-1.25DSA(50)	C	5	7.90	5.00	0,82	0,586	0,48
798-DF136P125DSA50	DF13-6P-1.25DSA(50)	C	6	9.15	6.25	1,12	0,809	0,666
798-DF138P125DSA50	DF13-8P-1.25DSA(50)	C	8	11.65	8.75	1,16	0,833	0,681

Single Row - Right Angle - Tin - Thru Hole - With Boss

798-DF13-2P-1.25DS20	DF13-2P-1.25DS(20)	C	2	4.15	1.25	0,44	0,256	0,208
798-DF13-3P-1.25DS20	DF13-3P-1.25DS(20)	C	3	5.40	2.50	0,51	0,305	0,238
798-DF13-4P-1.25DS20	DF13-4P-1.25DS(20)	C	4	6.65	3.75	0,64	0,38	0,296
798-DF13-5P-1.25DS20	DF13-5P-1.25DS(20)	C	5	7.90	5.00	0,59	0,413	0,34
798-DF13-6P-1.25DS20	DF13-6P-1.25DS(20)	C	6	9.15	6.25	0,63	0,454	0,365
798-DF13-7P-1.25DS20	DF13-7P-1.25DS(20)	C	7	10.40	7.50	0,72	0,512	0,422
798-DF13-8P-1.25DS20	DF13-8P-1.25DS(20)	C	8	11.65	8.75	0,88	0,627	0,516
798-DF13-9P-1.25DS20	DF13-9P-1.25DS(20)	C	9	12.90	10.00	1,16	0,833	0,681
798-DF13-10P-1.25DS20	DF13-10P-1.25DS(20)	C	10	14.15	11.25	1,03	0,668	0,606
798-DF13-11P-1.25DS20	DF13-11P-1.25DS(20)	C	11	15.40	12.50	1,34	0,965	0,795
798-DF13-12P-1.25DS20	DF13-12P-1.25DS(20)	C	12	16.65	13.75	1,44	1,03	0,858
798-DF13-14P-1.25DS20	DF13-14P-1.25DS(20)	C	14	19.15	16.25	1,21	0,875	0,721
798-DF13-15P-1.25DS20	DF13-15P-1.25DS(20)	C	15	20.40	17.50	1,50	1,15	0,924

Single Row - Right Angle - Gold - Thru Hole - With Boss

798-DF132P125DS50	DF13-2P-1.25DS(50)	C	2	4.15	1.25	0,58	0,338	0,269
798-DF134P125DS50	DF13-4P-1.25DS(50)	C	4	6.65	3.75	0,69	0,495	0,406
798-DF135P125DS50	DF13-5P-1.25DS(50)	C	5	7.90	5.00	0,78	0,569	0,464
798-DF138P125DS50	DF13-8P-1.25DS(50)	C	8	11.65	8.75	1,16	0,833	0,681

Single Row - Vertical - Tin - SMT - With Boss

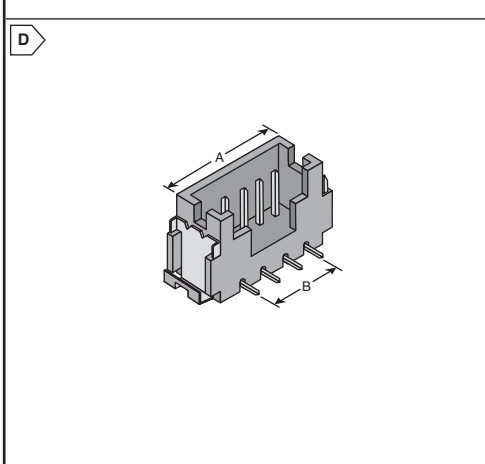
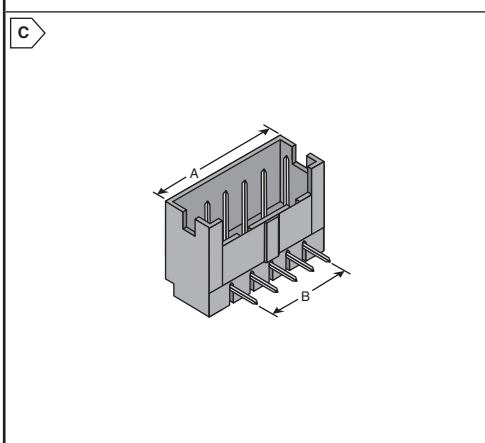
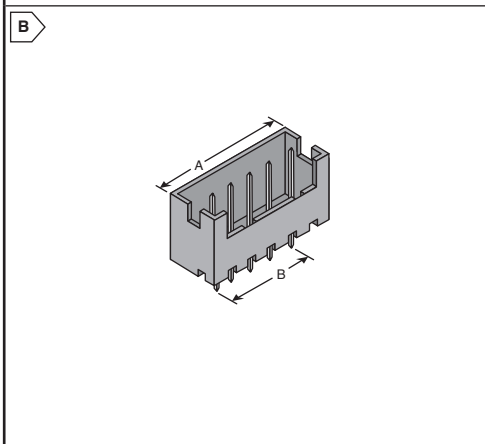
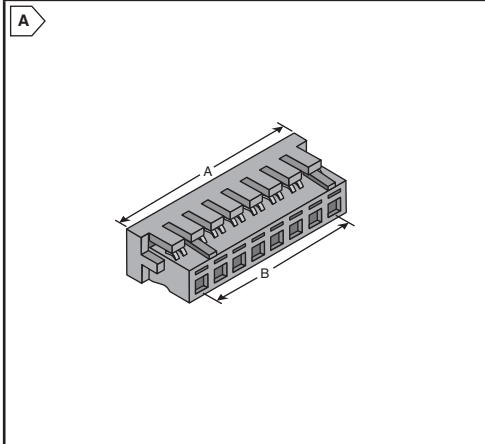
798-DF135P125V20	DF13-5P-1.25V(20)	D	5	10.90	5.00	0,59	0,421	0,34
798-DF136P125V20	DF13-6P-1.25V(20)	D	6	9.15	6.25	0,63	0,454	0,365
798-DF137P125V20	DF13-7P-1.25V(20)	D	7	13.40	7.50	0,69	0,493	0,406
798-DF138P125V20	DF13-8P-1.25V(20)	D	8	14.65	8.75	0,82	0,586	0,48
798-DF139P125V20	DF13-9P-1.25V(20)	D	9	15.90	10.00	0,88	0,63	0,515
798-DF1312P125V20	DF13-12P-1.25V(20)	D	12	19.65	13.75	1,04	0,743	0,606
798-DF1315P125V20	DF13-15P-1.25V(20)	D	15	20.40	17.50	1,25	0,899	0,738
798-DF13B4P125V20	DF13B-4P-1.25V(20)	D	4	9.65	3.75	0,54	0,38	0,311

Single Row - Vertical - Tin - SMT - Without Boss

798-DF13C2P125V20	DF13C-2P-1.25V(20)	D	2	7.15	1.25	0,52	0,305	0,236
798-DF13C-2P-1.25V21	DF13C-2P-1.25V(21)	D	2	7.15	1.25	0,57	0,454	0,388
798-DF13C3P125V20	DF13C-3P-1.25V(20)	D	3	8.40	2.50	0,55	0,322	0,256
798-DF13C-3P-1.25V21	DF13C-3P-1.25V(21)	D	3	8.40	2.50	0,47	0,338	0,282
798-DF13C-4P-1.25V21	DF13C-4P-1.25V(21)	D	4	9.65	3.75	0,57	0,404	0,337
798-DF13C5P125V20	DF13C-5P-1.25V(20)	D	5	10.90	5.00	0,59	0,421	0,34
798-DF13C-5P-1.25V21	DF13C-5P-1.25V(21)	D	5	10.90	5.00	0,63	0,413	0,371
798-DF13C6P125V20	DF13C-6P-1.25V(20)	D	6	12.15	6.25	0,63	0,454	0,365
798-DF13C-6P-1.25V21	DF13C-6P-1.25V(21)	D	6	12.15	6.25	0,66	0,47	0,389
798-DF13C-7P-1.25V21	DF13C-7P-1.25V(21)	D	7	13.40	7.50	0,72	0,47	0,427
798-DF13C8P125V20	DF13C-8P-1.25V(20)	D	8	14.65	8.75	0,82	0,586	0,48
798-DF13C-8P-1.25V21	DF13C-8P-1.25V(21)	D	8	14.65	8.75	0,85	0,611	0,501
798-DF13C-9P-1.25V21	DF13C-9P-1.25V(21)	D	9	15.90	10.00	0,88	0,635	0,52
798-DF13C10P125V20	DF13C-10P-1.25V(20)	D	10	17.15	11.25	0,91	0,66	0,539
798-DF13C-10P-1.25V21	DF13C-10P-1.25V(21)	D	10	17.15	11.25	0,94	0,611	0,556
798-DF13C-11P-1.25V21	DF13C-11P-1.25V(21)	D	11	18.40	12.50	1,01	0,726	0,594
798-DF13C-12P-1.25V21	DF13C-12P-1.25V(21)	D	12	19.65	13.75	1,06	0,767	0,63
798-DF13C14P125V20	DF13C-14P-1.25V(20)	D	14	22.15	16.25	1,16	0,833	0,68
798-DF13C-14P-1.25V21	DF13C-14P-1.25V(21)	D	14	22.15	16.25	1,16	0,833	0,686
798-DF13C-15P125V21	DF13C-15P-1.25V(21)	D	15	23.40	17.50	1,31	0,941	0,779

Single Row - Vertical - Gold - SMT - With Boss

798-DF133P125V50	DF13-3P-1.25V(50)	D	3	8.40	2.50	0,82	0,586	0,48
798-DF134P125V50	DF13-4P-1.25V(50)	D	4	9.65	3.75	1,04	0,743	0,606
798-DF135P125V50	DF13-5P-1.25V(50)	D	5	10.90	5.00	1,13	0,809	0,664
798-DF137P125V50	DF13-7P-1.25V(50)	D	7	13.40	7.50	1,31	0,949	0,78
798-DF138P125V50	DF13-8P-1.25V(50)	D	8	14.65	8.75	1,51	1,08	0,883
798-DF139P125V50	DF13-9P-1.25V(50)	D	9	15.90	10.00	1,43	1,10	0,875
798-DF1310P125V50	DF13-10P-1.25V(50)	D	10	17.15	11.25	1,53	1,17	0,941
798-DF1312P125V50	DF13-12P-1.25V(50)	D	12	19.65	13.75	1,53	1,18	0,941



Rectangular Connectors Hirose

HIROSE Wire-to-Board Connectors

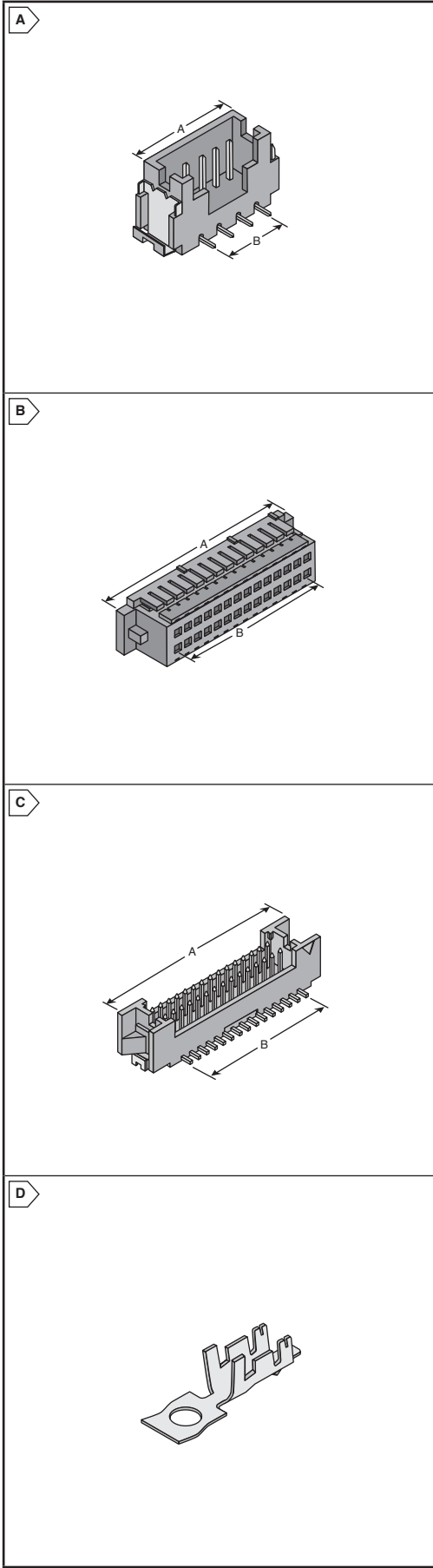


RoHS Compliant This product is RoHS compliant.

DF13 SERIES- 1.25MM MINIATURE CRIMPING CONNECTORS

Headers-Single Row Cont.

MOUSER STOCK NO.		Hirose Part No.	Fig.	No. of Positions	Dimensions: mm		Price Each		
					A	B	1	25	100
Single Row - Vertical - Gold - SMT - With Boss Cont.									
798-DF13B2P125V50		DF13B-2P-1.25V(50)	A	2	7.15	1.25	0,66	0,47	0,388
798-DF13B3P125V50		DF13B-3P-1.25V(50)	A	3	8.40	2.50	0,82	0,586	0,48
798-DF13B5P125V50		DF13B-5P-1.25V(50)	A	5	10.90	5.00	1,12	0,812	0,663
798-DF13B6P125V50		DF13B-6P-1.25V(50)	A	6	12.15	6.25	1,25	0,899	0,738
Single Row - Vertical - Gold - SMT - Without Boss									
798-DF13C2P125V50		DF13C-2P-1.25V(50)	A	2	4.15	1.25	0,69	0,493	0,406
798-DF13C-2P-1.25V51		DF13C-2P-1.25V(51)	A	2	4.15	1.25	0,60	0,437	0,358
798-DF13C3P125V50		DF13C-3P-1.25V(50)	A	3	5.40	2.50	0,82	0,586	0,48
798-DF13C-3P-1.25V51		DF13C-3P-1.25V(51)	A	3	5.40	2.50	0,72	0,47	0,427
798-DF13C4P125V50		DF13C-4P-1.25V(50)	A	4	6.65	3.75	1,04	0,743	0,606
798-DF13C-4P-1.25V51		DF13C-4P-1.25V(51)	A	4	6.65	3.75	0,91	0,594	0,538
798-DF13C-5P-1.25V51		DF13C-5P-1.25V(51)	A	5	7.90	5.00	1,03	0,743	0,612
798-DF13C6P125V50		DF13C-6P-1.25V(50)	A	6	9.15	6.25	1,25	0,899	0,738
798-DF13C-6P-1.25V51		DF13C-6P-1.25V(51)	A	6	9.15	6.25	1,16	0,833	0,686
798-DF13C-7P-1.25V51		DF13C-7P-1.25V(51)	A	7	10.40	7.50	1,19	0,858	0,705
798-DF13C-8P-1.25V51		DF13C-8P-1.25V(51)	A	8	11.65	8.75	1,41	0,932	0,833
798-DF13C-9P-1.25V51		DF13C-9P-1.25V(51)	A	9	12.90	10.00	1,50	1,08	0,883
798-DF13C-10P-1.25V51		DF13C-10P-1.25V(51)	A	10	14.15	11.25	1,39	1,06	0,858
798-DF13C-11P-1.25V51		DF13C-11P-1.25V(51)	A	11	15.40	12.50	1,68	1,21	0,99
798-DF13C-12P-1.25V51		DF13C-12P-1.25V(51)	A	12	16.65	13.75	1,53	1,18	0,941
798-DF13C-14P-1.25V51		DF13C-14P-1.25V(51)	A	14	19.15	16.25	1,73	1,34	1,07
798-DF13C-15P-1.25V51		DF13C-15P-1.25V(51)	A	15	20.40	17.50	1,87	1,44	1,16
Single Row - Right Angle - Tin - SMT - With Boss									
798-DF132P125H20		DF13-2P-1.25H(20)	A	2	4.15	1.25	0,51	0,305	0,234
798-DF133P125H20		DF13-3P-1.25H(20)	A	3	5.40	2.50	0,58	0,338	0,269
798-DF134P125H20		DF13-4P-1.25H(20)	A	4	6.65	3.75	0,54	0,38	0,311
798-DF135P125H20		DF13-5P-1.25H(20)	A	5	7.90	5.00	0,58	0,421	0,341
798-DF136P125H20		DF13-6P-1.25H(20)	A	6	9.15	6.25	0,63	0,454	0,365
798-DF137P125H20		DF13-7P-1.25H(20)	A	7	10.40	7.50	0,72	0,517	0,422
798-DF138P125H20		DF13-8P-1.25H(20)	A	8	11.65	8.75	0,88	0,627	0,516
798-DF139P125H20		DF13-9P-1.25H(20)	A	9	12.90	10.00	0,91	0,66	0,539
798-DF1310P125H20		DF13-10P-1.25H(20)	A	10	14.15	11.25	0,97	0,693	0,573
798-DF1315P125H20		DF13-15P-1.25H(20)	A	15	20.40	17.50	1,25	0,899	0,738
Single Row - Right Angle - Tin - SMT - Without Boss									
798-DF13A2P125H20		DF13A-2P-1.25H(20)	A	2	4.15	1.25	0,52	0,305	0,236
798-DF13A3P125H20		DF13A-3P-1.25H(20)	A	3	5.40	2.50	0,57	0,338	0,269
798-DF13A4P125H20		DF13A-4P-1.25H(20)	A	4	6.65	3.75	0,54	0,38	0,312
798-DF13A5P125H20		DF13A-5P-1.25H(20)	A	5	7.90	5.00	0,59	0,421	0,34
798-DF13A6P125H20		DF13A-6P-1.25H(20)	A	6	9.15	6.25	0,63	0,454	0,365
798-DF13A8P125H20		DF13A-8P-1.25H(20)	A	8	11.65	8.75	0,82	0,586	0,48
798-DF13A14P125H20		DF13A-14P-1.25H(20)	A	14	19.15	16.25	1,22	0,875	0,721
798-DF13A15P125H20		DF13A-15P-1.25H(20)	A	15	20.40	17.50	1,25	0,899	0,738
Single Row - Right Angle - Gold - SMT - With Boss									
798-DF132P125H50		DF13-2P-1.25H(50)	A	2	4.15	1.25	0,69	0,495	0,406
798-DF133P125H50		DF13-3P-1.25H(50)	A	3	5.40	2.50	0,82	0,586	0,48
798-DF134P125H50		DF13-4P-1.25H(50)	A	4	6.65	3.75	0,97	0,693	0,575
798-DF135P125H50		DF13-5P-1.25H(50)	A	5	7.90	5.00	1,13	0,809	0,664
798-DF139P125H50		DF13-9P-1.25H(50)	A	9	12.90	10.00	1,43	1,10	0,875
798-DF1310P125H50		DF13-10P-1.25H(50)	A	10	14.15	11.25	1,49	1,15	0,924
798-DF1312P125H50		DF13-12P-1.25H(50)	A	12	16.65	13.75	1,67	1,27	1,02
798-DF1314P125H50		DF13-14P-1.25H(50)	A	14	20.90	15.75	1,88	1,44	1,16
Single Row - Right Angle - Gold - SMT - Without Boss									
798-DF13A2P125H50		DF13A-2P-1.25H(50)	A	2	4.15	1.25	0,69	0,495	0,406
798-DF13A3P125H50		DF13A-3P-1.25H(50)	A	3	5.40	2.50	0,82	0,586	0,48
798-DF13A4P125H50		DF13A-4P-1.25H(50)	A	4	6.65	3.75	1,04	0,743	0,606
798-DF13A5P125H50		DF13A-5P-1.25H(50)	A	5	7.90	5.00	1,12	0,812	0,663
798-DF13A6P125H50		DF13A-6P-1.25H(50)	A	6	9.15	6.25	1,25	0,899	0,738
798-DF13A8P125H50		DF13A-8P-1.25H(50)	A	8	11.65	8.75	1,51	1,08	0,883
798-DF13A12P125H50		DF13A-12P-1.25H(50)	A	12	16.65	13.75	1,67	1,27	1,02
798-DF13A14P125H50		DF13A-14P-1.25H(50)	A	14	19.15	16.25	1,88	1,44	1,16
Housings-Double Row									
For quantities greater than listed, call for quote.									
Crimp Receptacle Housings - Double Row									
798-DF13-10DS-1.25C		DF13-10DS-1.25C	B	10	10.40	5.00	0,29	0,14	0,103
798-DF13-20DS-1.25C		DF13-20DS-1.25C	B	20	16.65	11.25	0,35	0,165	0,12
798-DF13-30DS-1.25C		DF13-30DS-1.25C	B	30	22.90	17.50	0,42	0,19	0,142
798-DF13-40DS-1.25C		DF13-40DS-1.25C	B	40	29.15	23.75	0,34	0,206	0,153
Headers-Double Row									
For quantities greater than listed, call for quote.									
Double Row - Vertical - Gold - Thru Hole - With Boss									
798-DF1340DS125DSA55		DF13-40DS-1.25DSA(55)	C	40	30.85	23.75	3,80	2,95	2,35
Double Row - Vertical - Tin - SMT - With Boss									
798-DF1310DP125V25		DF13-10DP-1.25V(25)	C	10	12.10	5.00	0,91	0,66	0,539
798-DF1320DP125V25		DF13-20DP-1.25V(25)	C	20	18.35	11.25	1,32	0,957	0,78
Double Row - Vertical - Tin - SMT - Without Boss									
798-DF13A10DP125V25		DF13A-10DP-1.25V(25)	C	10	12.10	5.00	0,88	0,635	0,52
798-DF13A20DP125V25		DF13A-20DP-1.25V(25)	C	20	18.35	11.25	1,32	0,957	0,78
Double Row - Vertical - Gold - SMT - With Boss									
798-DF1310DP125V55		DF13-10DP-1.25V(55)	C	10	12.10	5.00	0,97	0,693	0,573
798-DF1330DP125V55		DF13-30DP-1.25V(55)	C	30	24.60	17.50	1,67	1,27	1,02
798-DF1340DP125V55		DF13-40DP-1.25V(55)	C	40	30.85	23.75	2,07	1,59	1,27
Double Row - Vertical - Gold - SMT - Without Boss									
798-DF13A40DP125V55		DF13A-40DP-1.25V(55)	C	40	30.85	23.75	2,07	1,59	1,27
Contacts									
For quantities greater than listed, call for quote.									
MOUSER STOCK NO.	Hirose Part No.	Fig.	AWG	Plating	Type	Price Each			
						1	25	100	
798-DF13-2630SCF	DF13-2630SCF	D	26-30	Tin	Female	0,12	0,083	0,027	
798-DF13-2630SCFA	DF13-2630SCFA	D	26-36	Gold	Female	0,25	0,14	0,063	
Tools									
For quantities greater than listed, call for quote.									
MOUSER STOCK NO.	Hirose Part No.	Fig.	Description			AWG	Price Each		
798-DF13TB2630HC	DF13-TB2630HC	--	Crimp Hand Tool w/dies			26-30	1248,18		



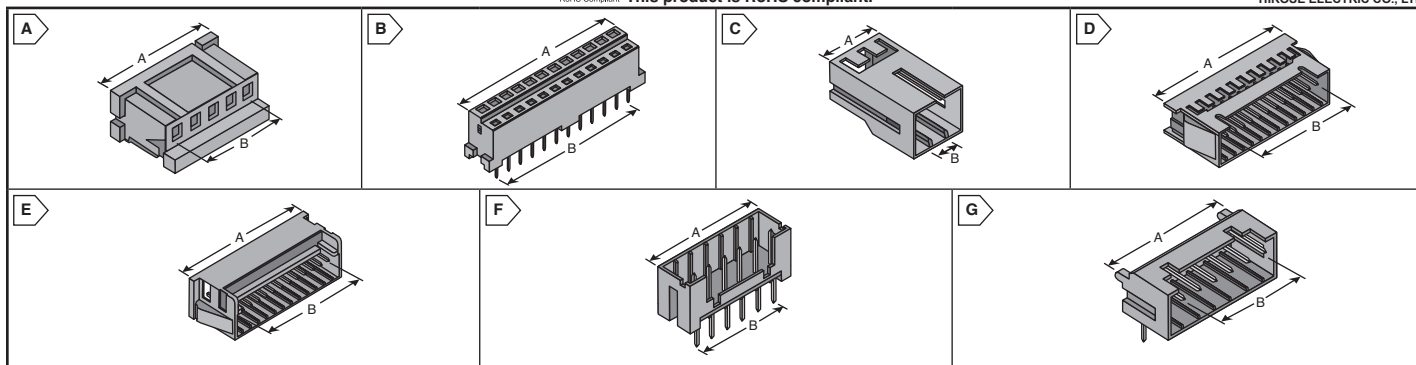
Hirose Rectangular Connectors

HIROSE 2.0mm for Discrete Wire Connections



HIROSE ELECTRIC CO., LTD.

This product is RoHS compliant.



DF3 SERIES SINGLE ROW CONNECTORS

Housings

For quantities greater than listed, call for quote.

MOUSER STOCK NO.	Hirose Part No.	Fig.	No. of Circuits	Dimensions		Price Each		
				A	B	1	25	100
Crimp Receptacle Housings								
798-DF3-2S-2C	DF3-2S-2C	A	2	6	2	0,20	0,083	0,05
798-DF3-3S-2C	DF3-3S-2C	A	3	8	4	0,22	0,091	0,05
798-DF3-4S-2C16	DF3-4S-2C(16)	A	4	10	6	0,13	0,058	0,051
798-DF3-4S-2C	DF3-4S-2C	A	4	10	6	0,24	0,091	0,06
798-DF3-5S-2C	DF3-5S-2C	A	5	12	8	0,24	0,099	0,066
798-DF3-6S-2C	DF3-6S-2C	A	6	14	10	0,26	0,107	0,074
798-DF3-7S-2C	DF3-7S-2C	A	7	16	12	0,27	0,116	0,083
798-DF3-8S-2C	DF3-8S-2C	A	8	18	14	0,23	0,107	0,083
798-DF3-9S-2C	DF3-9S-2C	A	9	20	16	0,25	0,116	0,083
798-DF3-10S-2C	DF3-10S-2C	A	10	22	18	0,27	0,124	0,092
798-DF3-12S-2C	DF3-12S-2C	A	12	26	22	0,29	0,124	0,101
798-DF3-14S-2C	DF3-14S-2C	A	14	30	26	0,31	0,14	0,109
798-DF3-15S-2C	DF3-15S-2C	A	15	32	28	0,32	0,157	0,111
PCB Receptacles - Vertical - Tin - Thru-Hole								
798-DF3-2S-2DSA25	DF3-2S-2DSA(25)	B	2	6	2	0,69	0,446	0,406
798-DF3-3S-2DSA25	DF3-3S-2DSA(25)	B	3	8	4	0,80	0,523	0,48
798-DF3-4S-2DSA25	DF3-4S-2DSA(25)	B	4	10	6	0,91	0,602	0,539
798-DF3-5S-2DSA25	DF3-5S-2DSA(25)	B	5	12	8	1,06	0,701	0,631
798-DF3-6S-2DSA25	DF3-6S-2DSA(25)	B	6	14	10	1,12	0,758	0,68
798-DF3-7S-2DSA25	DF3-7S-2DSA(25)	B	7	16	12	1,21	0,825	0,738
798-DF3-8S-2DSA25	DF3-8S-2DSA(25)	B	8	18	14	1,31	0,965	0,866
798-DF3-9S-2DSA25	DF3-9S-2DSA(25)	B	9	20	16	1,56	1,12	0,916
798-DF3-10S-2DSA25	DF3-10S-2DSA(25)	B	10	22	18	1,43	0,982	0,875
PCB Receptacles - Vertical - Gold - Thru-Hole								
798-DF3-2S-2DSA55	DF3-2S-2DSA(55)	B	2	6	2	0,80	0,523	0,48
798-DF3-3S-2DSA55	DF3-3S-2DSA(55)	B	3	8	4	1,06	0,692	0,622
798-DF3-4S-2DSA55	DF3-4S-2DSA(55)	B	4	10	6	1,23	0,80	0,722
798-DF3-5S-2DSA55	DF3-5S-2DSA(55)	B	5	12	8	1,41	0,924	0,825
798-DF3-6S-2DSA55	DF3-6S-2DSA(55)	B	6	14	10	1,59	1,06	0,949
798-DF3-7S-2DSA55	DF3-7S-2DSA(55)	B	7	16	12	1,53	1,04	0,941
798-DF3-8S-2DSA55	DF3-8S-2DSA(55)	B	8	18	14	1,67	1,27	1,12
798-DF3-10S-2DSA55	DF3-10S-2DSA(55)	B	10	22	18	2,00	1,41	1,25
Crimp Plug Housings								
798-DF3-2EP-2C	DF3-2EP-2C	C	2	6	2	0,33	0,157	0,12
798-DF3-3EP-2C	DF3-3EP-2C	C	3	8	4	0,38	0,173	0,134
798-DF3-4EP-2C	DF3-4EP-2C	C	4	10	6	0,41	0,19	0,142
798-DF3-5EP-2C	DF3-5EP-2C	C	5	12	8	0,45	0,211	0,161
798-DF3-6EP-2C	DF3-6EP-2C	C	6	14	10	0,36	0,206	0,163
798-DF3-7EP-2C	DF3-7EP-2C	C	7	16	12	0,40	0,227	0,177
798-DF3-8EP-2C	DF3-8EP-2C	C	8	18	14	0,42	0,256	0,194
Crimp Plug Housings - Panel Locks								
798-DF3AA-2EP-2C	DF3AA-2EP-2C	D	2	11	2	0,39	0,184	0,134
798-DF3AA-3EP-2C	DF3AA-3EP-2C	D	3	13	4	0,44	0,209	0,158
798-DF3AA-4EP-2C	DF3AA-4EP-2C	D	4	15	6	0,35	0,205	0,162
798-DF3AA-5EP-2C	DF3AA-5EP-2C	D	5	17	8	0,39	0,227	0,177
798-DF3AA-6EP-2C	DF3AA-6EP-2C	D	6	19	10	0,41	0,243	0,193
798-DF3AA-7EP-2C	DF3AA-7EP-2C	D	7	21	12	0,45	0,262	0,203
798-DF3AA-8EP-2C	DF3AA-8EP-2C	D	8	23	14	0,47	0,279	0,219
798-DF3AA-9EP-2C	DF3AA-9EP-2C	D	9	25	16	0,50	0,304	0,238
798-DF3AA-10EP-2C	DF3AA-10EP-2C	D	10	27	18	0,54	0,32	0,244
798-DF3AA-11EP-2C	DF3AA-11EP-2C	D	11	29	20	0,57	0,337	0,261
798-DF3AA-12EP-2C	DF3AA-12EP-2C	D	12	31	22	0,60	0,356	0,28
798-DF3AA-13EP-2C	DF3AA-13EP-2C	D	13	33	24	0,48	0,347	0,279
798-DF3AA-14EP-2C	DF3AA-14EP-2C	D	14	35	26	0,50	0,363	0,295
798-DF3AA-15EP-2C	DF3AA-15EP-2C	D	15	37	28	0,53	0,38	0,312
Adapters - Male-Male - Panel Locks								
798-DF3-2EP-2A	DF3-2EP-2A	E	2	11	2	0,59	0,429	0,345
798-DF3-3EP-2A	DF3-3EP-2A	E	3	13	4	0,66	0,469	0,384
798-DF3-4EP-2A	DF3-4EP-2A	E	4	15	6	0,75	0,535	0,441
798-DF3-5EP-2A	DF3-5EP-2A	E	5	17	8	0,81	0,586	0,479
798-DF3-15EP-2A	DF3-15EP-2A	E	15	37	28	1,53	1,10	0,908

Crimp Contacts

For quantities greater than listed, call for quote.

MOUSER STOCK NO.	Hirose Part No.	Fig.	Plating	AWG	Price Each		
					1	25	100
Female							
798-DF3-2428SCC	DF3-2428SCC	-	Gold	24-28	0,26	0,157	0,088
798-DF3-22SC	DF3-22SC	-	Tin	22	0,20	0,074	0,051
798-DF3-2428SC	DF3-2428SC	-	Tin	24-28	0,22	0,074	0,06
Male							
798-DF3-EP2428PCA	DF3-EP2428PCA	-	Gold	24-28	0,24	0,198	0,174
798-DF3-EP2428PC	DF3-EP2428PC	-	Tin	24-28	0,24	0,165	0,07
Crimp Contacts (Reels)							
MOUSER STOCK NO.	Hirose Part No.	Fig.	Plating	AWG	Reel Qty.	Price Each	
Female							
798-DF3-22SCFC	DF3-22SCFC	-	Gold	22	10000	0,05	
798-DF3-2428SCFC	DF3-2428SCFC	-	Gold	24-28	10000	0,05	
798-DF3-22SCF	DF3-22SCF	-	Tin	22	10000	0,03	
798-DF3-2428SCF	DF3-2428SCF	-	Tin	24-28	10000	0,03	
Male							
798-DF3-EP2428PCFA	DF3-EP2428PCFA	-	Gold	24-28	10000	0,07	
798-DF3-EP2428PCF	DF3-EP2428PCF	-	Tin	24-28	10000	0,03	

Tooling

For quantities greater than listed, call for quote.

MOUSER STOCK NO.	Hirose Part No.	Description	Price Each
798-DF3TA2428HC	DF3-TA2428HC	Hand Tool w/Die 24-28AWG Fem	488,28
798-DF3-TA22HC	DF3-TA22HC	Hand Tool 22 AWG Fem	732,52
798-DF3EP-TA2428HC	DF3EP-TA2428HC	Hand Tool 24-28AWG Male	714,29

Headers

For quantities greater than listed, call for quote.

MOUSER STOCK NO.	Hirose Part No.	Fig.	No. of Circuits	Dimensions		Price Each		
				A	B	1	25	100
Vertical - Tin - Thru-hole								
798-DF3A-2P-2DSA	DF3A-2P-2DSA	F	2	6	2	0,26	0,107	0,074
798-DF3A-3P-2DSA	DF3A-3P-2DSA	F	3	8	4	0,31	0,132	0,091
798-DF3A-4P-2DSA	DF3A-4P-2DSA	F	4	10	6	0,29	0,132	0,101
798-DF3A-5P-2DSA	DF3A-5P-2DSA	F	5	12	8	0,36	0,165	0,125
798-DF3A-6P-2DSA	DF3A-6P-2DSA	F	6	14	10	0,40	0,182	0,143
798-DF3A-7P-2DSA	DF3A-7P-2DSA	F	7	16	12	0,35	0,206	0,161
798-DF3A-8P-2DSA	DF3A-8P-2DSA	F	8	18	14	0,38	0,231	0,177
798-DF3A-9P-2DSA	DF3A-9P-2DSA	F	9	20	16	0,42	0,248	0,196
798-DF3A-10P-2DSA	DF3A-10P-2DSA	F	10	22	18	0,44	0,256	0,196
798-DF3A-12P-2DSA	DF3A-12P-2DSA	F	12	26	22	0,47	0,281	0,214
798-DF3A-13P-2DSA	DF3A-13P-2DSA	F	13	28	24	0,48	0,253	0,219
798-DF3A-14P-2DSA	DF3A-14P-2DSA	F	14	30	26	0,50	0,264	0,23
798-DF3A-15P-2DSA	DF3A-15P-2DSA	F	15	32	28	0,52	0,279	0,236
Vertical - Gold - Thru Hole								
798-DF3-2P-2DSA01	DF3-2P-2DSA(01)	F	2	6	2	0,44	0,264	0,20
798-DF3-6P-2DSA01	DF3-6P-2DSA(01)	F	6	14	10	0,69	0,487	0,406
Right Angle - Tin - Thru Hole								
798-DF3A-2P-2DS	DF3A-2P-2DS	G	2	6	2	0,29	0,116	0,085
798-DF3A-3P-2DS	DF3A-3P-2DS	G	3	8	4	0,28	0,124	0,092
798-DF3A-4P-2DS	DF3A-4P-2DS	G	4	10	6	0,32	0,149	0,109
798-DF3A-5P-2DS	DF3A-5P-2DS	G	5	12	8	0,42	0,198	0,144
798-DF3A-6P-2DS	DF3A-6P-2DS	G	6	14	10	0,45	0,215	0,153
798-DF3A-7P-2DS	DF3A-7P-2DS	G	7	16	12	0,35	0,206	0,161
798-DF3A-8P-2DS	DF3A-8P-2DS	G	8	18	14	0,45	0,272	0,21
798-DF3A-9P-2DS	DF3A-9P-2DS	G	9	20	16	0,50	0,289	0,23
798-DF3A-10P-2DS	DF3A-10P-2DS	G	10	22	18	0,51	0,305	0,237
798-DF3A-11P-2DS	DF3A-11P-2DS	G	11	24	20	0,54	0,314	0,245
798-DF3A-12P-2DS	DF3A-12P-2DS	G	12	26	22	0,55	0,332	0,255
798-DF3A-13P-2DS	DF3A-13P-2DS	G	13	28	24	0,58	0,338	0,262
798-DF3A-14P-2DS	DF3A-14P-2DS	G	14	30	26	0,59	0,347	0,271
798-DF3A-15P-2DS	DF3A-15P-2DS	G	15	32	28	0,61	0,364	0,28

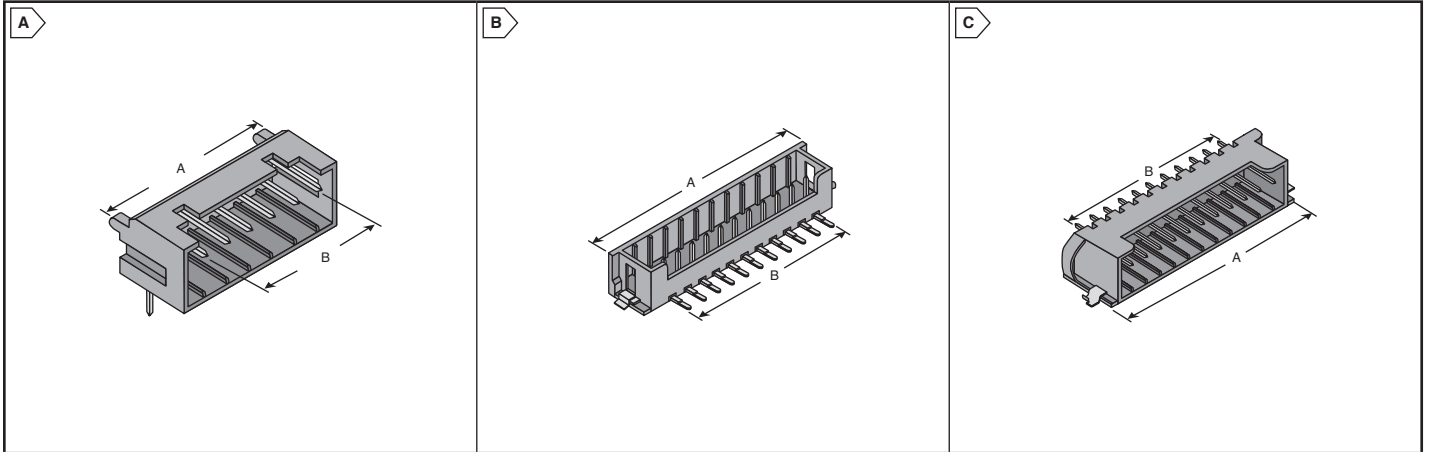
Rectangular Connectors Hirose

HIROSE 2.0mm for Single Row Connectors



HIROSE ELECTRIC CO., LTD.

RoHS Compliant This product is RoHS compliant.



DF3 SERIES SINGLE ROW CONNECTORS

Hirose Rectangular Connectors

Headers (Cont.)

For quantities greater than listed, call for quote.

MOUSER STOCK NO.	Hirose Part No.	Fig.	No. of Circuits	Dim. (mm)		Price Each		
				A	B	1	25	100
Right Angle - Gold - Thru-Hole								
798-DF3-2P-2DS01	DF3-2P-2DS(01)	A	2	6	2	0,51	0,297	0,236
798-DF3-3P-2DS01	DF3-3P-2DS(01)	A	3	8	4	0,52	0,371	0,299
798-DF3-4P-2DS01	DF3-4P-2DS(01)	A	4	10	6	0,59	0,421	0,347
798-DF3-5P-2DS01	DF3-5P-2DS(01)	A	5	12	8	0,73	0,52	0,422
798-DF3-6P-2DS01	DF3-6P-2DS(01)	A	6	14	10	0,82	0,586	0,48
798-DF3-7P-2DS01	DF3-7P-2DS(01)	A	7	16	12	0,93	0,672	0,548
798-DF3-8P-2DS01	DF3-8P-2DS(01)	A	8	18	14	1,03	0,734	0,606
798-DF3-10P-2DS01	DF3-10P-2DS(01)	A	10	22	18	1,24	0,891	0,738
Vertical - Tin - SMT								
798-DF3Z-2P-2V20	DF3Z-2P-2V(20)	B	2	8.5	2	0,69	0,495	0,406
798-DF3Z-3P-2V20	DF3Z-3P-2V(20)	B	3	10.5	4	0,68	0,493	0,406
798-DF3Z-4P-2V20	DF3Z-4P-2V(20)	B	4	12.5	6	0,72	0,512	0,422
798-DF3Z-5P-2V20	DF3Z-5P-2V(20)	B	5	14.5	8	0,78	0,561	0,455
798-DF3Z-6P-2V20	DF3Z-6P-2V(20)	B	6	16.5	10	0,78	0,561	0,455
798-DF3Z-8P-2V20	DF3Z-8P-2V(20)	B	8	20.5	14	0,87	0,63	0,515
798-DF3Z-10P-2V21	DF3Z-10P-2V(21)	B	10	24.5	18	1,11	0,806	0,663
798-DF3Z-11P-2V21	DF3Z-11P-2V(21)	B	11	26.5	20	1,20	0,866	0,718
798-DF3Z-12P-2V21	DF3Z-12P-2V(21)	B	12	28.5	22	1,31	0,941	0,779
798-DF3Z-13P-2V21	DF3Z-13P-2V(21)	B	13	30.5	24	1,49	1,06	0,875
798-DF3Z-2P-2V21	DF3Z-2P-2V(21)	B	2	8.5	2	0,63	0,413	0,371
798-DF3Z-3P-2V20	DF3Z-3P-2V(20)	B	3	8.5	2	0,69	0,454	0,404
798-DF3Z-4P-2V21	DF3Z-4P-2V(21)	B	3	10.5	4	0,64	0,47	0,39
798-DF3Z-4P-2V20	DF3Z-4P-2V(20)	B	4	10.5	4	0,78	0,561	0,455
798-DF3Z-4P-2V21	DF3Z-4P-2V(21)	B	4	12.5	6	0,75	0,545	0,446
798-DF3Z-5P-2V20	DF3Z-5P-2V(20)	B	5	12.5	6	0,78	0,512	0,462
798-DF3Z-5P-2V21	DF3Z-5P-2V(21)	B	5	14.5	8	0,82	0,536	0,483
798-DF3Z-6P-2V20	DF3Z-6P-2V(20)	B	6	14.5	8	0,88	0,63	0,515
798-DF3Z-6P-2V21	DF3Z-6P-2V(21)	B	6	16.5	10	0,88	0,635	0,52
798-DF3Z-7P-2V21	DF3Z-7P-2V(21)	B	7	18.5	12	0,94	0,677	0,557
798-DF3Z-8P-2V21	DF3Z-8P-2V(21)	B	8	20.5	14	1,00	0,724	0,593
798-DF3Z-9P-2V21	DF3Z-9P-2V(21)	B	9	22.5	16	1,06	0,701	0,631
798-DF3Z-14P-2V21	DF3Z-14P-2V(21)	B	14	32.5	26	1,49	1,07	0,875
798-DF3Z-15P-2V21	DF3Z-15P-2V(21)	B	15	34.5	28	1,58	1,13	0,932
798-DF3Z-14P-2V21	DF3Z-14P-2V(21)	B	14	32.5	26	1,49	1,07	0,875
798-DF3Z-15P-2V21	DF3Z-15P-2V(21)	B	15	34.5	28	1,58	1,13	0,932
Vertical - Gold - SMT								
798-DF3Z-2P-2V50	DF3Z-2P-2V(50)	B	2	8.5	2	0,69	0,495	0,406
798-DF3Z-3P-2V50	DF3Z-3P-2V(50)	B	3	10.5	4	0,78	0,561	0,455
798-DF3Z-4P-2V50	DF3Z-4P-2V(50)	B	4	12.5	6	0,88	0,627	0,516
798-DF3Z-5P-2V50	DF3Z-5P-2V(50)	B	5	14.5	8	0,97	0,693	0,573
798-DF3Z-8P-2V50	DF3Z-8P-2V(50)	B	8	20.5	14	1,21	0,866	0,738
798-DF3Z-2P-2V50	DF3Z-2P-2V(50)	B	2	8.5	2	0,69	0,495	0,406
798-DF3Z-2P-2V51	DF3Z-2P-2V(51)	B	2	8.5	2	0,72	0,479	0,427
798-DF3Z-3P-2V50	DF3Z-3P-2V(50)	B	3	10.5	4	0,78	0,561	0,455
798-DF3Z-3P-2V51	DF3Z-3P-2V(51)	B	3	10.5	4	0,82	0,586	0,482
798-DF3Z-4P-2V51	DF3Z-4P-2V(51)	B	4	12.5	6	0,88	0,635	0,52
798-DF3Z-5P-2V50	DF3Z-5P-2V(50)	B	5	14.5	8	0,91	0,594	0,536
798-DF3Z-5P-2V51	DF3Z-5P-2V(51)	B	5	14.5	8	1,01	0,652	0,593
798-DF3Z-6P-2V50	DF3Z-6P-2V(50)	B	6	16.5	10	1,02	0,736	0,631
798-DF3Z-6P-2V51	DF3Z-6P-2V(51)	B	6	16.5	10	1,33	0,949	0,783

Headers (Cont.)

For quantities greater than listed, call for quote.

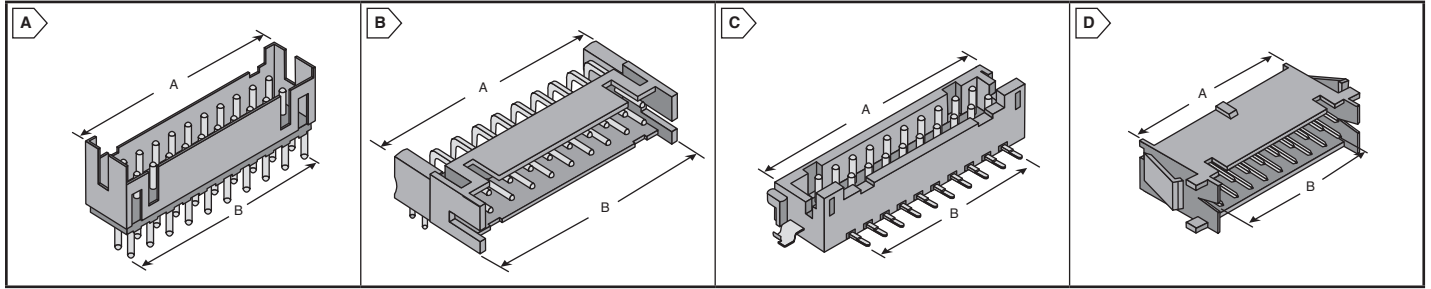
MOUSER STOCK NO.	Hirose Part No.	Fig.	No. of Circuits	Dim. (mm)		Price Each		
				A	B	1	25	100
Vertical - Gold - SMT (Cont.)								
798-DF3Z-7P-2V51	DF3Z-7P-2V(51)	B	7	18.5	12	1,19	0,85	0,705
798-DF3Z-8P-2V51	DF3Z-8P-2V(51)	B	8	20.5	14	1,32	0,949	0,779
798-DF3Z-9P-2V51	DF3Z-9P-2V(51)	B	9	22.5	16	1,47	0,965	0,866
798-DF3Z-10P-2V51	DF3Z-10P-2V(51)	A	10	24.5	18	1,50	1,08	0,883
798-DF3Z-11P-2V51	DF3Z-11P-2V(51)	B	11	26.5	20	1,39	1,06	0,858
798-DF3Z-12P-2V51	DF3Z-12P-2V(51)	B	12	28.5	22	1,56	1,20	0,957
798-DF3Z-13P-2V51	DF3Z-13P-2V(51)	B	13	30.5	24	1,84	1,41	1,13
798-DF3Z-14P-2V51	DF3Z-14P-2V(51)	B	14	32.5	26	1,85	1,42	1,13
798-DF3Z-15P-2V51	DF3Z-15P-2V(51)	B	15	34.5	28	1,80	1,24	1,10
Right Angle - Tin - SMT								
798-DF3Z-2P-2H20	DF3Z-2P-2H(20)	C	2	8.5	2	0,68	0,493	0,406
798-DF3Z-5P-2H20	DF3Z-5P-2H(20)	C	5	14.5	8	0,78	0,561	0,455
798-DF3Z-7P-2H20	DF3Z-7P-2H(20)	C	7	18.5	12	0,80	0,583	0,48
798-DF3Z-2P-2H21	DF3Z-2P-2H(21)	C	2	8.5	2	0,66	0,47	0,389
798-DF3Z-3P-2H21	DF3Z-3P-2H(21)	C	3	10.5	4	0,67	0,495	0,408
798-DF3Z-4P-2H21	DF3Z-4P-2H(21)	C	4	12.5	6	0,78	0,561	0,455
798-DF3Z-4P-2H21	DF3Z-4P-2H(21)	C	4	12.5	6	0,75	0,545	0,446
798-DF3Z-5P-2H21	DF3Z-5P-2H(21)	C	5	14.5	8	0,85	0,611	0,501
798-DF3Z-6P-2H21	DF3Z-6P-2H(21)	C	6	16.5	10	0,91	0,594	0,538
798-DF3Z-7P-2H20	DF3Z-7P-2H(20)	C	7	18.5	12	0,90	0,649	0,53
798-DF3Z-7P-2H21	DF3Z-7P-2H(21)	C	7	18.5	12	0,97	0,701	0,575
798-DF3Z-8P-2H21	DF3Z-8P-2H(21)	C	8	20.5	14	1,06	0,767	0,63
798-DF3Z-10P-2H21	DF3Z-10P-2H(21)	C	10	24.5	18	1,20	0,776	0,705
798-DF3Z-11P-2H21	DF3Z-11P-2H(21)	C	11	26.5	20	1,25	0,82	0,741
798-DF3Z-12P-2H20	DF3Z-12P-2H(20)	C	12	28.5	22	1,10	0,718	0,644
798-DF3Z-12P-2H21	DF3Z-12P-2H(21)	C	12	28.5	22	1,31	0,941	0,779
798-DF3Z-13P-2H21	DF3Z-13P-2H(21)	C	13	30.5	24	1,38	0,908	0,817
798-DF3Z-15P-2H21	DF3Z-15P-2H(21)	C	15	34.5	28	1,50	1,08	0,883
Right Angle - Gold - SMT								
798-DF3Z-2P-2H50	DF3Z-2P-2H(50)	C	2	8.5	2	1,82	1,39	1,12
798-DF3Z-3P-2H50	DF3Z-3P-2H(50)	C	3	10.5	4	1,96	1,49	1,20
798-DF3Z-4P-2H50	DF3Z-4P-2H(50)	C	4	12.5	6	2,17	1,67	1,33
798-DF3Z-5P-2H50	DF3Z-5P-2H(50)	C	5	14.5	8	2,41	1,84	1,49
798-DF3Z-8P-2H50	DF3Z-8P-2H(50)	C	8	20.5	14	2,63	2,04	1,63
798-DF3Z-2P-2H51	DF3Z-2P-2H(51)	C	2	8.5	2	1,74	1,20	1,07
798-DF3Z-2P-2H51	DF3Z-2P-2H(51)	C	2	8.5	2	0,75	0,545	0,446
798-DF3Z-3P-2H51	DF3Z-3P-2H(51)	C	3	10.5	4	0,91	0,594	0,538
798-DF3Z-4P-2H51	DF3Z-4P-2H(51)	C	4	12.5	6	2,16	1,66	1,32
798-DF3Z-4P-2H51	DF3Z-4P-2H(51)	C	4	12.5	6	1,01	0,652	0,593
798-DF3Z-5P-2H51	DF3Z-5P-2H(51)	C	5	14.5	8	1,20	0,858	0,705
798-DF3Z-6P-2H51	DF3Z-6P-2H(51)	C	6	16.5	10	1,32	0,949	0,779
798-DF3Z-7P-2H51	DF3Z-7P-2H(51)	C	7	18.5	12	1,34	0,974	0,798
798-DF3Z-8P-2H51	DF3Z-8P-2H(51)	C	8	20.5	14	1,37	0,941	0,842
798-DF3Z-9P-2H51	DF3Z-9P-2H(51)	C	9	22.5	16	1,49	1,15	0,916
798-DF3Z-10P-2H51	DF3Z-10P-2H(51)	C	10	24.5	18	1,62	1,24	0,99
798-DF3Z-11P-2H51	DF3Z-11P-2H(51)	C	11	26.5	20	1,72	1,32	1,06
798-DF3Z-12P-2H51	DF3Z-12P-2H(51)	C	12	28.5	22	1,80	1,24	1,11
798-DF3Z-13P-2H51	DF3Z-13P-2H(51)	C	13	30.5	24	1,91	1,47	1,17
798-DF3Z-14P-2H51	DF3Z-14P-2H(51)	C	14	32.5	26	2,02	1,56	1,25
798-DF3Z-15P-2H51	DF3Z-15P-2H(51)	C	15	34.5	28	2,26	1,73	1,39

HIROSE 2.00mm Double Row Connectors



HIROSE ELECTRIC CO., LTD.

RoHS Compliant This product is RoHS compliant.



DF11 SERIES DOUBLE ROW CONNECTORS

Headers

For quantities greater than listed, call for quote.

MOUSER STOCK NO.	Hirose Part No.	Fig.	No. of Circuits	Dim. (mm)		Price Each		
				A	B	1	25	100
Vertical - Tin - Thru-Hole								
798-DF11-4DP-2DSA08	DF11-4DP-2DSA(08)	A	4	6	2	0,31	0,149	0,111
798-DF11-4DP-2DSA24	DF11-4DP-2DSA(24)	A	4	6	2	0,51	0,305	0,238
798-DF11-6DP-2DSA08	DF11-6DP-2DSA(08)	A	6	8	4	0,36	0,165	0,129
798-DF11-6DP-2DSA24	DF11-6DP-2DSA(24)	A	6	8	4	0,56	0,338	0,261
798-DF11-8DP-2DSA08	DF11-8DP-2DSA(08)	A	8	10	6	0,42	0,189	0,15
798-DF11-8DP-2DSA24	DF11-8DP-2DSA(24)	A	8	10	6	0,49	0,347	0,281
798-DF11-10DP-2DSA08	DF11-10DP-2DSA(08)	A	10	12	8	0,35	0,198	0,162
798-DF11-10DP-2DSA24	DF11-10DP-2DSA(24)	A	10	12	8	0,59	0,413	0,343
798-DF11-12DP-2DSA08	DF11-12DP-2DSA(08)	A	12	14	10	0,36	0,206	0,172
798-DF11-12DP-2DSA24	DF11-12DP-2DSA(24)	A	12	14	10	0,63	0,454	0,365
798-DF11-14DP-2DSA08	DF11-14DP-2DSA(08)	A	14	16	12	0,42	0,239	0,195
798-DF11-14DP-2DSA24	DF11-14DP-2DSA(24)	A	14	16	12	0,73	0,52	0,422
798-DF11-16DP-2DSA08	DF11-16DP-2DSA(08)	A	16	18	14	0,45	0,264	0,212
798-DF11-16DP-2DSA24	DF11-16DP-2DSA(24)	A	16	18	14	0,78	0,561	0,457
798-DF11-18DP-2DSA08	DF11-18DP-2DSA(08)	A	18	20	16	0,51	0,297	0,242
798-DF11-18DP-2DSA24	DF11-18DP-2DSA(24)	A	18	20	16	0,82	0,586	0,48
798-DF11-20DP-2DSA08	DF11-20DP-2DSA(08)	A	20	22	18	0,56	0,322	0,258
798-DF11-20DP-2DSA24	DF11-20DP-2DSA(24)	A	20	22	18	0,97	0,693	0,573
798-DF11-22DP-2DSA08	DF11-22DP-2DSA(08)	A	22	24	20	0,63	0,363	0,295
798-DF11-22DP-2DSA24	DF11-22DP-2DSA(24)	A	22	24	20	1,04	0,743	0,606
798-DF11-24DP-2DSA08	DF11-24DP-2DSA(08)	A	24	26	22	0,65	0,38	0,306
798-DF11-24DP-2DSA24	DF11-24DP-2DSA(24)	A	24	26	22	1,07	0,776	0,631
798-DF11-26DP-2DSA08	DF11-26DP-2DSA(08)	A	26	28	24	0,51	0,371	0,309
798-DF11-26DP-2DSA24	DF11-26DP-2DSA(24)	A	26	28	24	1,16	0,833	0,68
798-DF11-28DP-2DSA08	DF11-28DP-2DSA(08)	A	28	30	26	0,55	0,38	0,323
798-DF11-28DP-2DSA24	DF11-28DP-2DSA(24)	A	28	30	26	1,23	0,875	0,722
798-DF11-30DP-2DSA08	DF11-30DP-2DSA(08)	A	30	32	28	0,58	0,421	0,342
798-DF11-30DP-2DSA24	DF11-30DP-2DSA(24)	A	30	32	28	1,25	0,899	0,738
798-DF11-32DP-2DSA08	DF11-32DP-2DSA(08)	A	32	34	30	0,69	0,495	0,408
798-DF11-32DP-2DSA24	DF11-32DP-2DSA(24)	A	32	34	30	1,32	0,957	0,78
Vertical - Gold - Thru-Hole								
798-DF11-4DP-2DSA01	DF11-4DP-2DSA(01)	A	4	6	2	0,63	0,454	0,365
798-DF11-6DP-2DSA01	DF11-6DP-2DSA(01)	A	6	8	4	0,82	0,594	0,483
798-DF11-8DP-2DSA01	DF11-8DP-2DSA(01)	A	8	10	6	0,97	0,627	0,571
798-DF11-10DP-2DSA01	DF11-10DP-2DSA(01)	A	10	12	8	1,16	0,825	0,681
798-DF11-12DP-2DSA01	DF11-12DP-2DSA(01)	A	12	14	10	1,34	0,965	0,796
798-DF11-14DP-2DSA01	DF11-14DP-2DSA(01)	A	14	16	12	1,50	1,07	0,883
798-DF11-16DP-2DSA01	DF11-16DP-2DSA(01)	A	16	18	14	1,45	1,11	0,891
798-DF11-18DP-2DSA01	DF11-18DP-2DSA(01)	A	18	20	16	1,61	1,23	0,99
798-DF11-20DP-2DSA01	DF11-20DP-2DSA(01)	A	20	22	18	1,77	1,34	1,09
798-DF11-22DP-2DSA01	DF11-22DP-2DSA(01)	A	22	24	20	1,96	1,50	1,20
798-DF11-24DP-2DSA01	DF11-24DP-2DSA(01)	A	24	26	22	2,09	1,60	1,29
798-DF11-26DP-2DSA01	DF11-26DP-2DSA(01)	A	26	28	24	2,25	1,73	1,39
798-DF11-28DP-2DSA01	DF11-28DP-2DSA(01)	A	28	30	26	2,38	1,82	1,47
798-DF11-30DP-2DSA01	DF11-30DP-2DSA(01)	A	30	32	28	2,54	1,96	1,57
798-DF11-32DP-2DSA01	DF11-32DP-2DSA(01)	A	32	34	30	2,70	2,07	1,67
Right Angle - Tin - Thru-Hole								
798-DF11-4DP-2DS24	DF11-4DP-2DS(24)	B	4	6	2	0,58	0,338	0,261
798-DF11-6DP-2DS24	DF11-6DP-2DS(24)	B	6	8	4	0,53	0,38	0,312
798-DF11-8DP-2DS24	DF11-8DP-2DS(24)	B	8	10	6	0,59	0,413	0,34
798-DF11-10DP-2DS24	DF11-10DP-2DS(24)	B	10	12	8	0,72	0,512	0,422
798-DF11-12DP-2DS24	DF11-12DP-2DS(24)	B	12	14	10	0,81	0,586	0,48
798-DF11-14DP-2DS24	DF11-14DP-2DS(24)	B	14	16	12	0,97	0,701	0,576
798-DF11-16DP-2DS24	DF11-16DP-2DS(24)	B	16	18	14	1,16	0,825	0,681
798-DF11-18DP-2DS24	DF11-18DP-2DS(24)	B	18	20	16	1,16	0,825	0,681
798-DF11-20DP-2DS24	DF11-20DP-2DS(24)	B	20	22	18	1,32	0,941	0,771
798-DF11-22DP-2DS24	DF11-22DP-2DS(24)	B	22	24	20	1,41	1,01	0,825
798-DF11-24DP-2DS24	DF11-24DP-2DS(24)	B	24	26	22	1,59	1,15	0,941
798-DF11-26DP-2DS24	DF11-26DP-2DS(24)	B	26	28	24	1,43	1,10	0,875
798-DF11-28DP-2DS24	DF11-28DP-2DS(24)	B	28	30	26	1,50	1,15	0,924
798-DF11-30DP-2DS24	DF11-30DP-2DS(24)	B	30	32	28	1,58	1,22	0,974
798-DF11-32DP-2DS24	DF11-32DP-2DS(24)	B	32	34	30	1,69	1,29	1,04

Headers (Cont.)

For quantities greater than listed, call for quote.

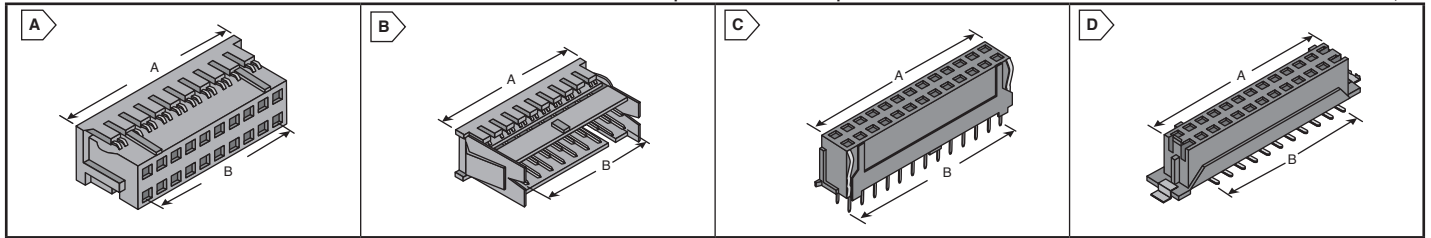
MOUSER STOCK NO.	Hirose Part No.	Fig.	No. of Circuits	Dim. (mm)		Price Each		
				A	B	1	25	100
Right Angle - Gold - Thru-Hole								
798-DF11-4DP-2DS52	DF11-4DP-2DS(52)	B	4	6	2	0,97	0,693	0,573
798-DF11-6DP-2DS52	DF11-6DP-2DS(52)	B	6	8	4	1,22	0,875	0,722
798-DF11-8DP-2DS52	DF11-8DP-2DS(52)	B	8	10	6	1,56	1,12	0,924
798-DF11-10DP-2DS52	DF11-10DP-2DS(52)	B	10	12	8	1,53	1,16	0,941
798-DF11-12DP-2DS52	DF11-12DP-2DS(52)	B	12	14	10	1,79	1,37	1,11
798-DF11-14DP-2DS52	DF11-14DP-2DS(52)	B	14	16	12	1,98	1,51	1,22
798-DF11-16DP-2DS52	DF11-16DP-2DS(52)	B	16	18	14	2,28	1,75	1,40
798-DF11-18DP-2DS52	DF11-18DP-2DS(52)	B	18	20	16	2,48	1,91	1,53
798-DF11-20DP-2DS52	DF11-20DP-2DS(52)	B	20	22	18	2,73	2,10	1,68
798-DF11-22DP-2DS52	DF11-22DP-2DS(52)	B	22	24	20	2,65	2,05	1,63
798-DF11-24DP-2DS52	DF11-24DP-2DS(52)	B	24	26	22	2,89	2,24	1,79
798-DF11-26DP-2DS52	DF11-26DP-2DS(52)	B	26	28	24	3,10	2,42	1,92
798-DF11-28DP-2DS52	DF11-28DP-2DS(52)	B	28	30	26	3,29	2,56	2,05
798-DF11-30DP-2DS52	DF11-30DP-2DS(52)	B	30	32	28	3,51	2,72	2,18
798-DF11-32DP-2DS52	DF11-32DP-2DS(52)	B	32	34	30	3,70	2,87	2,29
Vertical - Tin - SMT								
798-DF11GZ-4DP-2V20	DF11GZ-4DP-2V(20)	C	4	8.5	2	1,06	0,759	0,631
798-DF11GZ-6DP-2V20	DF11GZ-6DP-2V(20)	C	6	10.5	4	1,16	0,825	0,681
798-DF11GZ-8DP-2V20	DF11GZ-8DP-2V(20)	C	8	12.5	6	1,25	0,899	0,738
798-DF11GZ-10DP-2V20	DF11GZ-10DP-2V(20)	C	10	14.5	8	1,34	0,965	0,795
798-DF11GZ-12DP-2V20	DF11GZ-12DP-2V(20)	C	12	16.5	10	1,44	1,03	0,858
798-DF11GZ-14DP-2V20	DF11GZ-14DP-2V(20)	C	14	18.5	12	1,56	1,12	0,924
798-DF11GZ-16DP-2V20	DF11GZ-16DP-2V(20)	C	16	20.5	14	1,43	1,10	0,875
798-DF11GZ-18DP-2V20	DF11GZ-18DP-2V(20)	C	18	22.5	16	1,49	1,15	0,924
798-DF11GZ-20DP-2V20	DF11GZ-20DP-2V(20)	C	20	24.5	18	1,58	1,20	0,974
798-DF11GZ-22DP-2V20	DF11GZ-22DP-2V(20)	C	22	26.5	20	1,68	1,29	1,04
798-DF11GZ-24DP-2V20	DF11GZ-24DP-2V(20)	C	24	28.5	22	1,80	1,38	1,11
798-DF11GZ-26DP-2V20	DF11GZ-26DP-2V(20)	C	26	30.5	24	1,90	1,46	1,17
798-DF11GZ-28DP-2V20	DF11GZ-28DP-2V(20)	C	28	32.5	26	2,04	1,57	1,25
798-DF11GZ-30DP-2V20	DF11GZ-30DP-2V(20)	C	30	34.5	28	2,12	1,62	1,30
798-DF11GZ-32DP-2V20	DF11GZ-32DP-2V(20)	C	32	36.5	30	2,19	1,67	1,35
798-DF11GZ-40DP-2V20	DF11GZ-40DP-2V(20)	C	40	44.5	38	2,66	2,05	1,63
Vertical - Gold - SMT								
798-DF11G-4DP-2V50	DF11G-4DP-2V(50)	C	4	8.5	2	1,56	1,12	0,924
798-DF11G-6DP-2V50	DF11G-6DP-2V(50)	C	6	10.5	4	1,50	1,15	0,924
798-DF11G-8DP-2V50	DF11G-8DP-2V(50)	C	8	12.5	6	1,69	1,29	1,04
798-DF11G-10DP-2V50	DF11G-10DP-2V(50)	C	10	14.5	8	1,91	1,47	1,17
798-DF11G-12DP-2V50	DF11G-12DP-2V(50)	C	12	16.5	10	2,15	1,65	1,32
798-DF11G-14DP-2V50	DF11G-14DP-2V(50)	C	14	18.5	12	2,33	1,80	1,44
798-DF11G-16DP-2V50	DF11G-16DP-2V(50)	C	16	20.5	14	2,57	1,97	1,58
798-DF11G-18DP-2V50	DF11G-18DP-2V(50)	C	18	22.5	16	2,73	2,10	1,68
798-DF11G-20DP-2V50	DF11G-20DP-2V(50)	C	20	24.5	18	2,63	2,05	1,63
798-DF11G-22DP-2V50	DF11G-22DP-2V(50)	C	22	26.5	20	2,89	2,24	1,79
798-DF11G-24DP-2V50	DF11G-24DP-2V(50)	C	24	28.5	22	3,10	2,40	1,92
798-DF11G-26DP-2V50	DF11G-26DP-2V(50)	C	26	30.5	24	3,39	2,62	2,10
798-DF11G-30DP-2V50	DF11G-30DP-2V(50)	C	30	34.5	28	3,80	2,94	2,35
798-DF11G-32								

HIROSE 2.0mm for Double Row Connections



HIROSE ELECTRIC CO., LTD.

RoHS Compliant This product is RoHS compliant.



DF11 SERIES DOUBLE ROW CONNECTORS

Housings

For quantities greater than listed, call for quote.

MOUSER STOCK NO.	Hirose Part No.	Fig.	No. of Contacts	Dim.		Price Each		
				A	B	1	25	100
Crimp Receptacle Housings								
798-DF11-4DS-2C	DF11-4DS-2C	A	4	6	2	0,24	0,116	0,087
798-DF11-6DS-2C	DF11-6DS-2C	A	6	8	4	0,26	0,124	0,095
798-DF11-8DS-2C	DF11-8DS-2C	A	8	10	6	0,31	0,149	0,111
798-DF11-10DS-2C	DF11-10DS-2C	A	10	12	8	0,31	0,149	0,114
798-DF11-12DS-2C	DF11-12DS-2C	A	12	14	10	0,34	0,156	0,112
798-DF11-14DS-2C	DF11-14DS-2C	A	14	16	12	0,36	0,165	0,13
798-DF11-16DS-2C	DF11-16DS-2C	A	16	18	14	0,39	0,182	0,139
798-DF11-18DS-2C	DF11-18DS-2C	A	18	20	16	0,40	0,19	0,14
798-DF11-20DS-2C	DF11-20DS-2C	A	20	22	18	0,42	0,198	0,149
798-DF11-22DS-2C	DF11-22DS-2C	A	22	24	20	0,45	0,206	0,157
798-DF11-24DS-2C	DF11-24DS-2C	A	24	26	22	0,47	0,215	0,165
798-DF11-26DS-2C	DF11-26DS-2C	A	26	28	24	0,36	0,206	0,167
798-DF11-28DS-2C	DF11-28DS-2C	A	28	30	26	0,39	0,215	0,174
798-DF11-30DS-2C	DF11-30DS-2C	A	30	32	28	0,42	0,231	0,191
798-DF11-32DS-2C	DF11-32DS-2C	A	32	34	30	0,46	0,264	0,207
Crimp Plug Housings								
798-DF11-4DEP-2C	DF11-4DEP-2C	B	4	11	2	0,45	0,256	0,199
798-DF11-6DEP-2C	DF11-6DEP-2C	B	6	13	4	0,46	0,264	0,207
798-DF11-8DEP-2C	DF11-8DEP-2C	B	8	15	6	0,48	0,281	0,218
798-DF11-10DEP-2C	DF11-10DEP-2C	B	10	17	8	0,50	0,289	0,234
798-DF11-12DEP-2C	DF11-12DEP-2C	B	12	19	10	0,51	0,297	0,236
798-DF11-14DEP-2C	DF11-14DEP-2C	B	14	21	12	0,54	0,314	0,251
798-DF11-16DEP-2C	DF11-16DEP-2C	B	16	23	14	0,56	0,322	0,261
798-DF11-18DEP-2C	DF11-18DEP-2C	B	18	25	16	0,58	0,33	0,269
798-DF11-20DEP-2C	DF11-20DEP-2C	B	20	27	18	0,59	0,338	0,271
798-DF11-22DEP-2C	DF11-22DEP-2C	B	22	29	20	0,60	0,355	0,285
798-DF11-24DEP-2C	DF11-24DEP-2C	B	24	31	22	0,64	0,371	0,296
798-DF11-26DEP-2C	DF11-26DEP-2C	B	26	33	24	0,50	0,355	0,286
798-DF11-28DEP-2C	DF11-28DEP-2C	B	28	35	26	0,51	0,355	0,295
798-DF11-30DEP-2C	DF11-30DEP-2C	B	30	37	28	0,52	0,365	0,304
798-DF11-32DEP-2C	DF11-32DEP-2C	B	32	39	30	0,54	0,38	0,314

Crimp Contacts

For quantities greater than listed, call for quote.

MOUSER STOCK NO.	Hirose Part No.	Fig.	Plating	AWG	Price Each		
					1	25	100
Female							
798-DF11-22SC	DF11-22SC	-	Tin	22	0,22	0,107	0,059
798-DF11-2428SC	DF11-2428SC	-	Tin	24-28	0,20	0,091	0,051
798-DF11-30SC	DF11-30SC	-	Tin	30	0,20	0,14	0,068
798-DF11-22SCA	DF11-22SCA	-	Gold	22	0,30	0,182	0,105
798-DF11-2428SCA	DF11-2428SCA	-	Gold	24-28	0,29	0,165	0,105
798-DF11-30SCA	DF11-30SCA	-	Gold	30	0,28	0,165	0,097
Male							
798-DF11-EP2428PC	DF11-EP2428PC	-	Tin	24-28	0,26	0,099	0,077
798-DF11-EP2428PCA	DF11-EP2428PCA	-	Gold	24-28	0,31	0,182	0,105

Crimp Contacts (Reels)

MOUSER STOCK NO.	Hirose Part No.	Fig.	Plating	AWG	Reel Qty.	Price Each
798-DF11-22SCF	DF11-22SCF	-	Tin	22	10000	0,025
798-DF11-2428SCF	DF11-2428SCF	-	Tin	24-28	10000	0,017
798-DF11-30SCF	DF11-30SCF	-	Tin	30	10000	0,025
798-DF11-22SCFA	DF11-22SCFA	-	Gold	22	10000	0,05
798-DF11-2428SCFA	DF11-2428SCFA	-	Gold	24-28	10000	0,052
798-DF11-2428SCFA04	DF11-2428SCFA(04)	-	Gold	24-28	10000	0,024
798-DF11-30SCFA	DF11-30SCFA	-	Gold	30	10000	0,052
Male						
798-DF11-EP2428PCF	DF11-EP2428PCF	-	Tin	24-28	10000	0,025
798-DF11-EP2428PCFA	DF11-EP2428PCFA	-	Gold	24-28	10000	0,062

Crimp Contacts (Tooling)

For quantities greater than listed, call for quote.

MOUSER STOCK NO.	Hirose Part No.	Description	Price Each
798-DF11TA2428HC	DF11-TA2428HC	Tool w/Die 24-28 AWG Fem	488,28
798-DF11-TA30HC	DF11-TA30HC	Tool 30AWG Fem	732,52

Receptacles

For quantities greater than listed, call for quote.

MOUSER STOCK NO.	Hirose Part No.	Fig.	No. of Circuits	Dim.		Price Each		
				A	B	1	25	100
PCB Receptacles - Vertical - Tin - Thru-Hole								
798-DF11-6DS-2DSA05	DF11-6DS-2DSA(05)	C	6	8	4	0,88	0,627	0,513
798-DF11-8DS-2DSA05	DF11-8DS-2DSA(05)	C	8	10	6	0,93	0,677	0,554
798-DF11-10DS-2DSA05	DF11-10DS-2DSA(05)	C	10	12	8	1,04	0,743	0,606
798-DF11-12DS-2DSA05	DF11-12DS-2DSA(05)	C	12	14	10	1,12	0,80	0,664
798-DF11-14DS-2DSA05	DF11-14DS-2DSA(05)	C	14	16	12	1,20	0,866	0,705
798-DF11-16DS-2DSA05	DF11-16DS-2DSA(05)	C	16	18	14	1,32	0,957	0,78
798-DF11-18DS-2DSA05	DF11-18DS-2DSA(05)	C	18	20	16	1,41	1,01	0,833
798-DF11-20DS-2DSA05	DF11-20DS-2DSA(05)	C	20	22	18	1,53	1,11	0,908
798-DF11-22DS-2DSA05	DF11-22DS-2DSA(05)	C	22	24	20	1,60	1,15	0,941
798-DF11-24DS-2DSA05	DF11-24DS-2DSA(05)	C	24	26	22	1,45	1,11	0,891
798-DF11-26DS-2DSA05	DF11-26DS-2DSA(05)	C	26	28	24	1,53	1,16	0,941
798-DF11-28DS-2DSA05	DF11-28DS-2DSA(05)	C	28	30	26	1,61	1,23	0,99
798-DF11-32DS-2DSA05	DF11-32DS-2DSA(05)	C	32	34	30	1,74	1,34	1,07
PCB Receptacles - Vertical - Gold - Thru-Hole								
798-DF11-6DS-2DSA06	DF11-6DS-2DSA(06)	C	6	8	4	1,39	0,99	0,813
798-DF11-8DS-2DSA06	DF11-8DS-2DSA(06)	C	8	10	6	1,40	1,07	0,858
798-DF11-10DS-2DSA06	DF11-10DS-2DSA(06)	C	10	12	8	1,61	1,23	0,99
798-DF11-12DS-2DSA06	DF11-12DS-2DSA(06)	C	12	14	10	1,85	1,42	1,14
798-DF11-14DS-2DSA06	DF11-14DS-2DSA(06)	C	14	16	12	2,06	1,58	1,27
798-DF11-16DS-2DSA06	DF11-16DS-2DSA(06)	C	16	18	14	2,31	1,77	1,42
798-DF11-18DS-2DSA06	DF11-18DS-2DSA(06)	C	18	20	16	2,52	1,94	1,55
798-DF11-20DS-2DSA06	DF11-20DS-2DSA(06)	C	20	22	18	2,79	2,14	1,72
798-DF11-24DS-2DSA06	DF11-24DS-2DSA(06)	C	24	26	22	2,87	2,22	1,78
798-DF11-26DS-2DSA06	DF11-26DS-2DSA(06)	C	26	28	24	3,09	2,39	1,91
798-DF11-32DS-2DSA06	DF11-32DS-2DSA(06)	C	32	34	30	3,65	2,84	2,27
PCB Receptacles - Vertical - Tin - SMT								
798-DF11Z-6DS-2V20	DF11Z-6DS-2V(20)	D	6	10.5	4	1,03	0,743	0,606
798-DF11Z-10DS-2V20	DF11Z-10DS-2V(20)	D	10	14.5	8	1,21	0,875	0,721
798-DF11Z-12DS-2V20	DF11Z-12DS-2V(20)	D	12	16.5	10	1,34	0,965	0,796
798-DF11Z-14DS-2V20	DF11Z-14DS-2V(20)	D	14	18.5	12	1,44	1,03	0,85
798-DF11Z-16DS-2V20	DF11Z-16DS-2V(20)	D	16	20.5	14	1,59	1,14	0,932
798-DF11Z-20DS-2V20	DF11Z-20DS-2V(20)	D	20	24.5	18	1,58	1,22	0,974
798-DF11Z-22DS-2V20	DF11Z-22DS-2V(20)	D	22	26.5	20	1,66	1,27	1,02
798-DF11Z-24DS-2V20	DF11Z-24DS-2V(20)	D	24	28.5	22	1,82	1,39	1,12
798-DF11Z-26DS-2V20	DF11Z-26DS-2V(20)	D	26	30.5	24	1,98	1,52	1,22
798-DF11Z-28DS-2V20	DF11Z-28DS-2V(20)	D	28	32.5	26	1,98	1,53	1,22
798-DF11Z-30DS-2V20	DF11Z-30DS-2V(20)	D	30	34.5	28	2,19	1,69	1,35
798-DF11Z-32DS-2V20	DF11Z-32DS-2V(20)	D	32	34	30	2,33	1,80	1,44
798-DF11Z-40DS-2V20	DF11Z-40DS-2V(20)	D	40	44.5	38	2,56	2,38	1,58
PCB Receptacles - Vertical - Gold - SMT								
798-DF11Z-10DS-2V50	DF11Z-10DS-2V(50)	D	10	14.5	8	1,88	1,44	1,16
798-DF11Z-12DS-2V50	DF11Z-12DS-2V(50)	D	12	16.5	10	2,12	1,63	1,30
798-DF11Z-14DS-2V50	DF11Z-14DS-2V(50)	D	14	18.5	12	2,20	1,69	1,35
798-DF11Z-16DS-2V50	DF11Z-16DS-2V(50)	D	16	20.5	14	2,57	1,97	1,58
798-DF11Z-18DS-2V50	DF11Z-18DS-2V(50)	D	18	22.5	16	2,81	2,17	1,73
798-DF11Z-20DS-2V50	DF11Z-20DS-2V(50)	D	20	24.5	18	2,70	2,09	1,67
798-DF11Z-22DS-2V50	DF11Z-22DS-2V(50)	D	22	26.5	20	2,82	2,19	1,75
798-DF11Z-24DS-2V50	DF11Z-24DS-2V(50)	D	24	28.5	22	3,18	2,47	1,97
798-DF11Z-26DS-2V50	DF11Z-26DS-2V(50)	D	26	30.5	24	3,27	2,53	2,02
798-DF11Z-28DS-2V50	DF11Z-28DS-2V(50)	D	28	32.5	26	3,45	2,67	2,14
798-DF11Z-30DS-2V50	DF11Z-30DS-2V(50)	D	30	34.5	28	3,92	3,04	2,43
798-DF11Z-40DS-2V50	DF11Z-40DS-2V(50)	D	40	44.5	38	4,81	3,72	2,98

JAE Surface Mount Board-to-Flex Connectors

Technology to Inspire Innovation



This product is RoHS compliant.

FF02 SERIES: 0.30MM SMT BOARD-TO-FLEX CONNECTORS

Features:

- Low profile 1.2mm above board
- CAM Locking Structure makes FPC lining unnecessary and helps to absorb shock caused by fall resulting in much higher mating reliability

Specifications:

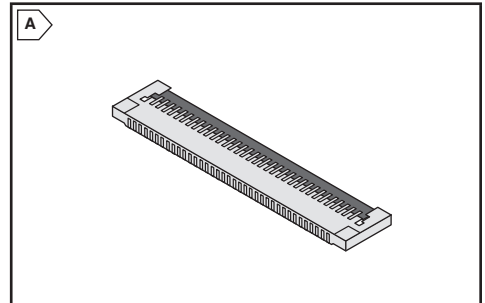
- FPC type: 0.3mm pitch, 0.12mm thickness with reinforcement
- Current Rating: AC/DC 0.35A per contact
- Dielectric Withstanding Voltage: AC 250 V rms per minute
- Voltage Rating: AC/DC 50V per contact
- RoHS Compliance per JAE documentation



RoHS Compliant

For quantities greater than listed, call for quote.

MOUSER STOCK NO.	JAE Part No.	Fig.	No. of Pos.	Description	Price Each			
					1	25	100	250
656-FF0235SS1	FF0235SS1	A	35	Right Angle	4,85	4,39	4,05	3,74
656-FF0239SS1	FF0239SS1-R3000	A	39	Right Angle	4,03	3,88	3,66	3,42
656-FF0251SS1	FF0251SS1	A	51	Right Angle	6,73	6,12	5,60	5,17
656-FF0260SS1	FF0260SS1	A	60	Right Angle	7,94	6,95	6,17	6,01
656-FF0290SS1	FF0290SS1	A	90	Right Angle	12,95	11,65	8,80	8,60



IL-FPR SERIES: 0.50MM SMT ZIF BOARD-TO-FLEX CONNECTORS

Features:

- Low profile 2.0mm above board (Right-angle type)
- A slider enables insertion/extraction of FPC without applying force (Zero Insertion Force)
- Designed to avoid defective mating
- FPC type: 0.3mm thickness with reinforcement
- Right Angle

Specifications:

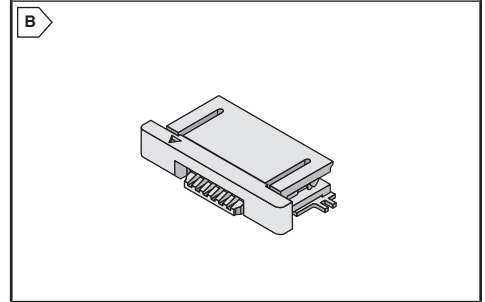
- Current Rating: AC/DC 0.5 Amp per contact
- Dielectric Withstanding Voltage: 250 VAC rms (for one minute)
- RoHS Compliance per JAE documentation



RoHS Compliant

For quantities greater than listed, call for quote.

MOUSER STOCK NO.	JAE Part No.	Fig.	No. of Pos.	Description	Price Each			
					1	25	100	250
656-IL-FPR-6S-HF-N1	IL-FPR-6S-HF-N1	B	6	Right Angle	1,81	1,34	1,11	1,02
656-IL-FPR-10S-HF-N1	IL-FPR-10S-HF-N1	B	10	Right Angle	1,77	1,63	1,48	1,35
656-IL-FPR-20S-HF-N1	IL-FPR-20S-HF-N1	B	20	Right Angle	2,60	1,97	1,60	1,50
656-IL-FPR-30S-HF-N1	IL-FPR-30S-HF-N1	B	30	Right Angle	3,05	2,03	1,77	1,72
656-IL-FPR-32S-HF-N1	IL-FPR-32S-HF-N1	B	32	Right Angle	1,94	1,91	1,85	1,73
656-IL-FPR-33S-HF-N1	IL-FPR-33S-HF-N1	B	33	Right Angle	3,09	2,16	1,97	1,89
656-IL-FPR-40S-HF-N1	IL-FPR-40S-HF-N1	B	40	Right Angle	3,92	2,64	2,41	2,30
656-L-FPR-50S-HF-N1	IL-FPR-50S-HF-N1	B	50	Right Angle	5,35	4,46	3,12	3,01



FA5 SERIES: 0.50MM SMT FPC BOARD-TO-FLEX CONNECTORS

Features:

- Low profile connector for PCB-to-FPC
- ZIF structure for easy insertion and removal of FPC
- Hold down structure with winding and strain protection
- Connector mounting height 1.45mm(.057"), low profile structure
- Right Angle

Specifications:

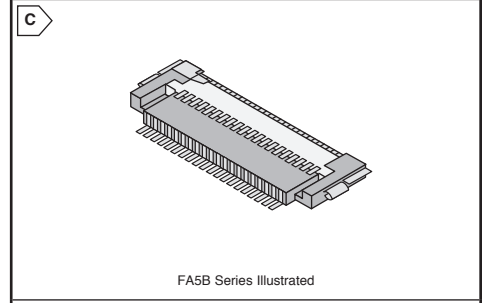
- Current Rating: 0.8 Amp per contact
- Dielectric Withstanding Voltage: 250 VAC rms (for one minute)
- RoHS Compliance per JAE documentation



RoHS Compliant

For quantities greater than listed, call for quote.

MOUSER STOCK NO.	JAE Part No.	Fig.	No. of Pos.	Description	Price Each			
					1	25	100	250
656-FA5S030HP1	FA5S030HP1	C	30	SMT, Right Angle	5,37	4,88	4,17	4,10
656-FA5S040HP1	FA5S040HP1	C	40	SMT, Right Angle	6,48	5,88	5,03	4,95
656-FA5S050HP1	FA5S050HP1	C	50	SMT, Right Angle	9,08	8,26	6,65	6,52
656-FA5B030HP1	FA5B030HP1	C	30	Bottom Mount, Right Angle	5,21	4,74	4,05	3,98
656-FA5B040HP1	FA5B040HP1	C	40	Bottom Mount, Right Angle	6,92	6,29	5,38	5,29



FI-R SERIES 0.50MM BOARD-TO-FLEX CONNECTORS

- High speed serial transmission such as LVDS, TMDS (HDMI) and PCI express
- Contact Resistance: 50Ω max.

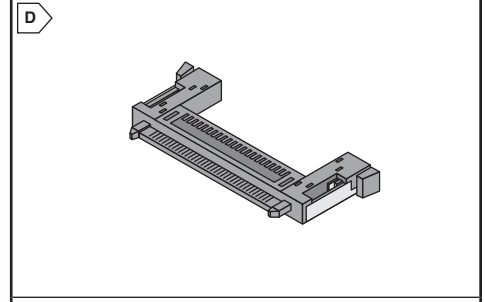
- Current Rating: AC, DC 0.8A per Terminal
- Insulation Resistance: 100MΩ min.



RoHS Compliant

For quantities greater than listed, call for quote.

MOUSER STOCK NO.	JAE Part No.	Fig.	No. of Pos.	Description	Price Each			
					1	25	100	250
656-FI-RE41HL	FI-RE41HL	D	41	Cable Mount Plug	5,49	4,36	3,73	3,61
656-FI-RE41S-HF	FI-RE41S-HF	E	41	SMT Receptacle R/A	5,64	5,61	5,51	5,14
656-FI-RE41S-VF	FI-RE41S-VF	F	41	SMT Receptacle Straight	4,91	3,30	2,85	2,70
656-FI-RE51-HL	FI-RE51HL	D	51	Cable Mount Plug	5,04	4,59	3,92	3,78
656-FI-RE51S-HF	FI-RE51S-HF	E	51	SMT Receptacle R/A	6,00	5,96	5,86	5,47
656-FI-RE51S-VF	FI-RE51S-VF	F	51	SMT Receptacle Straight	4,28	3,89	3,32	3,23

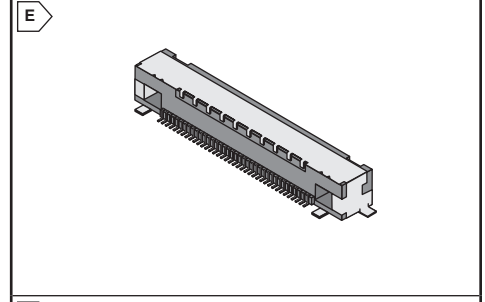


Contacts

- RoHS Compliance per JAE documentation

For quantities greater than listed, call for quote.

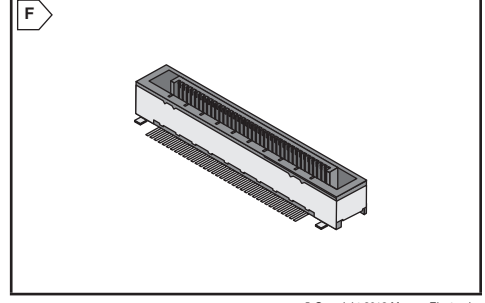
MOUSER STOCK NO.	JAE Part No.	Description	Price Each			
			1	25	100	250
656-FI-RC31A1E-15000	FI-RC3-1A-1E-15000	Crimp contacts 30-36 AWG Upper Contact	0,13	0,12	0,109	0,098
656-FI-RC31B1E-15000	FI-RC3-1B-1E-15000	Crimp contacts 30-36 AWG Lower Contact	0,12	0,107	0,099	0,091



Tool

For quantities greater than listed, call for quote.

MOUSER STOCK NO.	JAE Part No.	Description	Price Each
656-CT150-4C-FI	CT150-4C-FI	Hand Crimp Tool	817,47



JAE Surface Mount Board-to-Board Connectors

Technology to Inspire Innovation



This product is RoHS compliant.

AA03 SERIES 0.4MM STACKING TYPE BOARD-TO-BOARD CONNECTORS

Specifications:

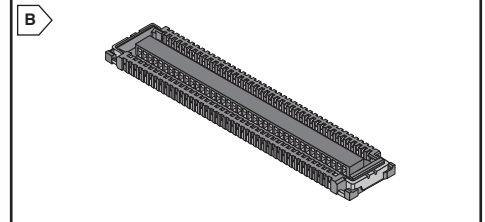
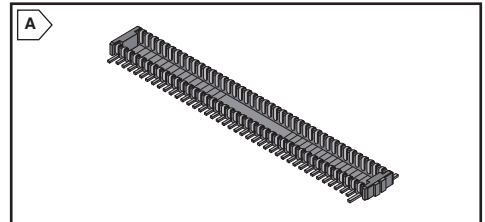
- Rated Current: 0.4A Per Position
- Rated Voltage: 50V AC/DC
- Stacking Height 1.0mm
- Ideal for Slim Low-Profiled High Density Mounting Requirements
- Drop Impact / Vibration Resistant
- Separate 2-point Contact Design to Resist Twisting Stress



RoHS Compliant

For quantities greater than listed, call for quote.

MOUSER STOCK NO.	JAE Part No.	Fig.	No. of Pos.	Description	Price Each			
					1	25	100	250
656-AA03P020VA2R6000	AA03-P020VA2-R6000	A	20	.4mm Plug, 1.0mm Stack Height	1,20	0,866	0,693	0,578
656-AA03P022VA2R6000	AA03-P022VA2-R6000	A	22	.4mm Plug, 1.0mm Stack Height	2,89	2,22	1,74	1,62
656-AA03P024VA2R6000	AA03-P024VA2-R6000	A	24	.4mm Plug, 1.0mm Stack Height	3,30	2,54	1,99	1,86
656-AA03P030VA2R6000	AA03-P030VA2-R6000	A	30	.4mm Plug, 1.0mm Stack Height	2,45	1,88	1,50	1,32
656-AA03P050VA2R6000	AA03-P050VA2-R6000	A	50	.4mm Plug, 1.0mm Stack Height	2,88	2,23	1,73	1,65
656-AA03S020VA1R6000	AA03-S020VA1-R6000	B	20	.4mm Recept., 1.0mm Stack Height	1,20	0,866	0,693	0,578
656-AA03S022VA1R6000	AA03-S022VA1-R6000	B	22	.4mm Recept., 1.0mm Stack Height	2,89	2,22	1,74	1,62
656-AA03S024VA1R6000	AA03-S024VA1-R6000	B	24	.4mm Recept., 1.0mm Stack Height	3,30	2,54	1,99	1,86
656-AA03S030VA1R6000	AA03-S030VA1-R6000	B	30	.4mm Recept., 1.0mm Stack Height	2,43	1,81	1,45	1,27
656-AA03S050VA1R6000	AA03-S050VA1-R6000	B	50	.4mm Recept., 1.0mm Stack Height	2,89	2,23	1,73	1,65



WR SERIES 0.50MM LOW PROFILE SMT BOARD-TO-BOARD CONNECTORS

Specifications:

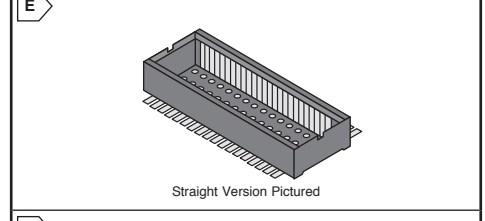
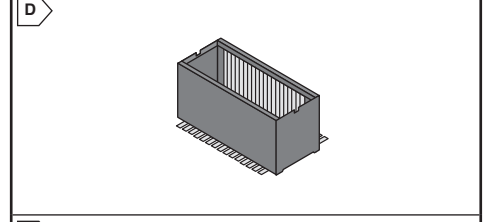
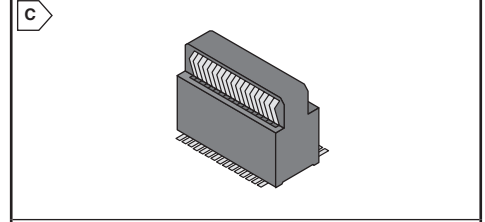
- For connection between parallel boards spaced 4 to 9mm
- Ribbon type contacts ensure reliable electrical continuity, resisting twisting force of coupling
- RoHS Compliance per JAE documentation
- Current Rating: 0.3A
- Operating Temperature: -40° to +85°C



RoHS Compliant

For quantities greater than listed, call for quote.

* With Polarizing Boss								
Receptacles								
656-WR-30S-VFH30-N1	WR-30S-VFH30-N1	C	30	7mm height	3,18	2,88	2,64	2,44
656-WR-40S-VFH30-N1	WR-40S-VFH30-N1	C	40	7mm height	4,10	3,35	2,38	2,31
656-WR-40S-VF-N1	WR-40S-VF-N1	C	40	4mm height	2,47	2,24	1,97	1,90
656-WR-80S-VF-N1	WR-80S-VF-N1	C	80	4mm height	5,97	5,44	4,95	4,60
* 656-WR-80SB-VF-N1	WR-80SB-VF-N1	C	80	4mm height	5,90	3,86	3,59	3,43
656-WR-100S-VF-N1	WR-100S-VF-N1	C	100	4mm height	8,84	8,04	6,47	6,38
656-WR-120S-VF-N1	WR-120S-VF-N1	C	120	4mm height	5,49	4,81	3,73	3,59
* 656-WR-120SB-VF-N1	WR-120SB-VF-N1	C	120	4mm height	7,49	6,57	5,09	4,93
* 656-WR-160SB-VF-N1	WR-160SB-VF-N1	C	160	4mm height	8,46	7,69	6,20	6,06
Plugs								
656-WR-30P-VF50-N1	WR-30P-VF50-N1	D	30	5mm height	2,65	2,42	2,21	2,05
656-WR-40P-VF-N1	WR-40P-VF-N1	D	40	4mm height	2,85	2,16	1,98	1,89
656-WR-40P-HFHD-A1E	WR-40P-HF-HD-A1E	D	40	4mm height, right angle	4,24	3,32	2,99	2,85
656-WR-80P-VF-N1	WR-80P-VF-N1	D	80	4mm height	5,96	5,43	4,64	4,55
* 656-WR-80PB-VF-N1	WR-80PB-VF-N1	D	80	3mm height	4,16	3,86	3,49	3,43
656-WR-100P-VF-N1	WR-100P-VF-N1	D	100	4mm height	6,39	5,27	4,60	4,50
656-WR-120P-VF-N1	WR-120P-VF-N1	D	120	4mm height	8,71	7,61	6,37	6,20
656-WR-120P-HF-HDA1E	WR-120P-HF-HD-A1E	D	120	4mm height, right angle	14,69	12,86	10,76	9,86
* 656-WR-160PB-VF50-N1	WR-160PB-VF50-N1	D	160	5mm height	8,72	8,00	6,20	6,01



IL-312 SERIES 0.50MM LOW PROFILE SMT BOARD-TO-BOARD CONNECTORS

Specifications:

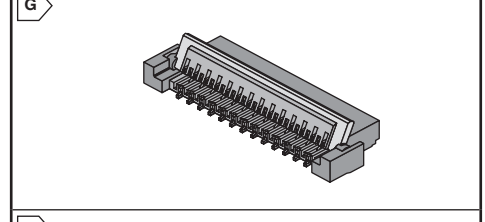
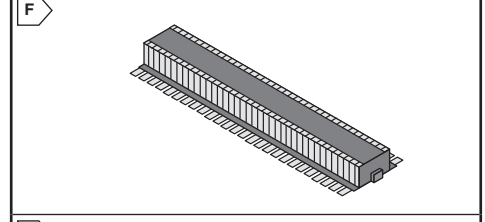
- For connection between parallel boards spaced 2.5 to 3.5mm
- Black heat resistant insulators
- Contacts: Copper Alloy
- Current Rating: 0.3A
- Operating Temperature: -40° to +85°C
- For use in applications that require boards to be stacked
- RoHS Compliance per JAE documentation



RoHS Compliant

For quantities greater than listed, call for quote.

MOUSER STOCK NO.	JAE Part No.	Fig.	No. of Pos.	Description	Price Each			
					1	25	100	250
Receptacles								
656-IL-312-A20S-VFA1	IL-312-A20S-VF-A1	E	20	2.15mm height	2,12	1,93	1,39	1,34
656-IL-312-A40S-VFA1	IL-312-A40S-VF-A1	E	40	2.15mm height	1,81	1,59	1,11	1,06
656-IL-312-A50S-VFA1	IL-312-A50S-VF-A1	E	50	2.15mm height	2,90	2,64	2,42	2,30
656-IL-312-A80S-VFA1	IL-312-A80S-VF-A1	E	80	2.15mm height	4,50	4,08	3,59	3,46
656-IL-312-A100SVFA1	IL-312-A100S-VF-A1	E	100	2.15mm height	5,92	5,37	4,60	4,47
* 656-IL-312A100SBVFA1	IL-312-A100SB-VF-A1	E	100	2.15mm height	5,92	5,37	4,60	4,47
Plugs								
656-IL-312-A20P-VFA1	IL-312-A20P-VF-A1	F	20	1.55mm height	1,53	1,39	1,28	1,18
656-IL-312-A40P-VFA1	IL-312-A40P-VF-A1	F	40	1.55mm height	1,81	1,59	1,11	1,06
656-IL-312-A50P-VFA1	IL-312-A50P-VF-A1	F	50	1.55mm height	4,13	3,42	2,41	2,33
656-IL-312-A80P-VFA1	IL-312-A80P-VF-A1	F	80	1.55mm height	6,16	5,68	3,59	3,42
656-IL312A100PVFA1	IL312-A100P-VF-A1	F	100	1.55mm height	5,92	5,37	4,60	4,47



FB3, FB6 AND FB8 SERIES 0.30MM SMT BOARD-TO-FLEX CONNECTORS

Specifications:

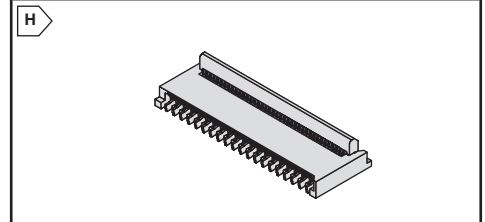
- Easy handling due to easy rotation of actuator
- Current Rating: 0.35A per contact
- Voltage Rating: AC, DC 50 V per contact
- LIF (Low Insertion Force) structure for one-touch FPC
- FB8 features "Backflip" actuator for superior cable retention
- RoHS Compliance per JAE documentation



RoHS Compliant

For quantities greater than listed, call for quote.

MOUSER STOCK NO.	JAE Part No.	Fig.	No. of Pos.	Description	Price Each			
					1	25	100	250
656-FB6S039JA1	FB6S039JA1	G	39	1.2mm Height Bottom Contacts	9,12	6,01	5,47	5,28
656-FB6S045JA1	FB6S045JA1	G	45	1.2mm Height Bottom Contacts	3,25	2,13	1,89	1,77
656-FB6S051JA1	FB6S051JA1	G	51	1.2mm Height Bottom Contacts	3,59	2,34	2,08	1,96
656-FB8S023JA1	FB8S023JA1	H	23	1.2mm Height Upper Contacts	2,63	1,72	1,53	1,44
656-FB8S029JA1	FB8S029JA1	H	29	1.2mm Height Upper Contacts	8,14	7,08	5,66	5,13
656-FB8S033JA1	FB8S033JA1	H	33	1.2mm Height Upper Contacts	3,51	2,30	2,05	1,91
656-FB8S039JA1	FB8S039JA1	H	39	1.2mm Height Upper Contacts	4,22	2,75	2,44	2,29



JAE Board to Board Connectors

Technology to Inspire Innovation



RoHS Compliant This product is RoHS compliant.

KX14 / KX15 SERIES 0.80MM LOW PROFILE SMT BOARD-TO-BOARD CONNECTORS

Specifications:

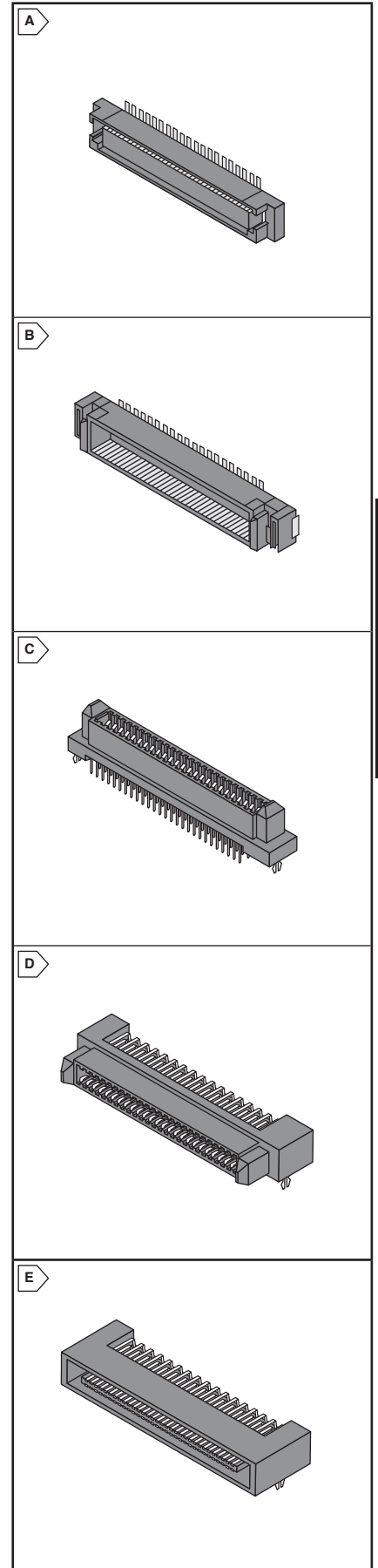
- For connection between parallel boards spaced 4 to 15mm
- Polarization key prevents mismatching
- Resistant to vibration and twisting
- Contact: Copper Alloy
- Current Rating: 0.5 Amps
- Operating Temperature: -40° to +85°C
- For use in applications that require boards to be stacked
- RoHS Compliance per JAE documentation



RoHS Compliant

For quantities greater than listed, call for quote.

MOUSER STOCK NO.	JAE Part No.	Fig.	No. of Pos.	Description	Price Each			
					1	25	100	250
Receptacle								
656-KX14-20K2DE	KX14-20K2DE	A	20	2mm height	1,13	1,11	1,10	1,06
656-KX14-30K2DE	KX14-30K2DE	A	30	2mm height	2,86	2,26	1,63	1,50
656-KX14-40K2D-RE	KX14-40K2D-RE	A	40	2mm height	2,23	2,02	1,82	1,72
656-KX14-40K5D-RE	KX14-40K5D-RE	A	40	5mm height	3,12	2,49	1,82	1,74
656-KX14-50K2D-RE	KX14-50K2D-RE	A	50	2mm height	3,42	2,31	2,15	2,04
656-KX14-50K5D-RE	KX14-50K5D-RE	A	50	5mm height	4,97	4,52	4,15	3,84
656-KX14-50K8DE	KX14-50K8DE	A	50	8mm height	3,92	2,62	2,39	2,27
656-KX14-50K11DE	KX14-50K11DE	A	50	11mm height	2,74	2,49	2,19	2,12
656-KX14-60K2DE	KX14-60K2DE	A	60	2mm height	3,43	3,14	2,74	2,64
656-KX14-80K2DE	KX14-80K2DE	A	80	2mm height	3,71	3,69	3,63	3,40
656-KX14-80K5DE	KX14-80K5DE	A	80	5mm height	3,74	3,72	3,66	3,42
656-KX14-100K2DE	KX14-100K2DE	A	100	2mm height	5,59	4,45	3,80	3,74
656-KX14-100K11DE	KX14-100K11DE	A	100	11mm height	5,61	4,46	3,81	3,75
Plugs								
656-KX15-20K2DE	KX15-20K2DE	B	20	2mm height	1,05	1,04	1,03	1,01
656-KX15-20KLDLE	KX15-20KLDLE	B	20	5.75mm height Right Angle	3,81	3,47	3,04	2,93
656-KX15-30K4DE	KX15-30K4DE	B	30	4mm height	2,90	2,01	1,73	1,63
656-KX15-30KLDLE	KX15-30KLDLE	B	30	5.75mm height Right Angle	1,94	1,77	1,59	1,49
656-KX15-40K2D-RE	KX15-40K2D-RE	B	40	2mm height	1,84	1,84	1,81	1,69
656-KX15-40K3DE	KX15-40K3DE	B	40	3mm height	2,37	2,16	1,98	1,83
656-KX15-40K4D-RE	KX15-40K4D-RE	B	40	4mm height	2,36	2,15	1,97	1,82
656-KX15-50K2DE	KX15-50K2DE	B	50	2mm height	2,08	2,06	2,05	1,98
656-KX15-50K4DE	KX15-50K4DE	B	50	4mm height	6,14	4,06	3,47	3,42
656-KX15-60K2DE	KX15-60K2DE	B	60	2mm height	4,75	3,21	2,89	2,76
656-KX15-60K3DE	KX15-60K3DE	B	60	3mm height	4,79	3,11	2,79	2,67
656-KX15-80K3DE	KX15-80K3DE	B	80	3mm height	3,74	3,72	3,66	3,42
656-KX15-100K2DE	KX15-100K2DE	B	100	2mm height	5,38	4,64	4,18	4,14
656-KX15-100K4DE	KX15-100K4DE	B	100	4mm height	5,17	4,70	4,23	3,98



Rectangular Connectors JAE

KX24/25 SERIES 0.80MM THROUGH HOLE BOARD-TO-BOARD CONNECTORS

Specifications:

- For connections between vertical and horizontal board to board arrangements
- Robust type with mating guide, suitable for rack and panel mounting
- Non-pin type connector structure durable to twists caused by mating
- Assuring click response when mated
- Mounting side contact length of 2.8mm unless otherwise noted
- Durability: 500 Cycles
- Contact resistance: 70mΩ max.
- Rated current: 0.5A per contact
- RoHS Compliance per JAE documentation



RoHS Compliant

For quantities greater than listed, call for quote.

MOUSER STOCK NO.	JAE Part No.	Fig.	No. of Pos.	Description	Price Each			
					1	25	100	250
Receptacles								
656-KX24-80R-6ST-H1	KX24-80R-6ST-H1	C	80	10.4mm Height Straight	8,29	7,37	6,63	6,03
656-KX24-80R-LT-H1	KX24-80R-LT-H1	D	80	8.5mm Height Right Angle	9,01	8,00	7,20	6,55
656-KX24-100R-6ST-H1	KX24-100R-6ST-H1	C	100	10.4mm Height Straight	10,07	8,94	8,05	7,32
656-KX24-120R-6ST-H1	KX24-120R-6ST-H1	C	120	10.4mm Height Straight	11,50	10,22	9,20	8,37
656-KX24-120R-LT-H1	KX24-120R-LT-H1	D	120	8.5mm Height Right Angle	12,61	11,21	10,09	9,17
656-KX24-140R-6ST-H1	KX24-140R-6ST-H1	C	140	10.4mm Height Straight	15,51	13,79	12,41	11,28
* 656-KX24-140R-6ST-N1	KX24-140R-6ST-N1	C	140	10.4mm Height Straight	14,74	13,10	11,79	10,72
656-KX24-140R-LT-H1	KX24-140R-LT-H1	D	140	8.5mm Height Right Angle	17,26	15,34	13,80	12,55
* 656-KX24-140R-LT-H1	KX24-140R-LT-H1	D	140	8.5mm Height Right Angle	15,85	14,08	12,67	11,52
656-KX24-180R-6ST-H1	KX24-180R-6ST-H1	C	180	10.4mm Height Straight	16,57	14,72	13,25	12,05
656-KX24-180R-LT-H1	KX24-180R-LT-H1	D	180	8.5mm Height Right Angle	17,99	15,99	14,39	13,08
Plugs								
656-KX25-80P-LT-H1	KX25-80P-LT-H1	E	80	8.5mm Height Right Angle	9,24	8,65	7,78	7,07
656-KX25-120P-LT-H1	KX25-120P-LT-H1	E	120	8.5mm Height Right Angle	12,72	10,88	9,79	8,90
* 656-KX25-140P-LT-H1	KX25-140P-LT-H1	E	140	8.5mm Height Right Angle	17,63	15,67	14,10	12,82
656-KX25-140P-LT-H1	KX25-140P-LT-H1	E	140	8.5mm Height Right Angle	4,54	4,03	3,63	3,30
656-KX25-180P-LT-H1	KX25-180P-LT-H1	E	180	8.5mm Height Right Angle	18,69	16,61	14,95	13,59

© Copyright 2012 Mouser Electronics

© Copyright 2012 Mouser Electronics

JAE Wire to Board Connectors

Technology to Inspire Innovation



RoHS Compliant This product is RoHS compliant.

FI-X SERIES 1.0MM PCB BOARD-TO-FLEX CONNECTORS

- Improved ground condition which is directly related to EMI characteristics
- Compatible with high-speed differential transmission and high-level impedance matching (90Ω to 100Ω)
- Current Rating: AC/DC 1 Amp per contact
- Bottom type structure provides 1.5mm (.059") connector height and 1mm (.039") height above the PCB
- RoHS Compliance per JAE documentation



RoHS Compliant

For quantities greater than listed, call for quote.

MOUSER STOCK NO.	JAE Part No.	Fig.	No. of Pos.	Description	Price Each			
					1	25	100	250
Plugs								
656-FI-X30H	FI-X30H	A	30	Crimp, Housing	1,72	1,68	1,56	1,49
656-FI-X30M-NPB	FI-X30M-NPB	A	30	ZIF, Cable Side	6,05	4,11	3,62	3,50
656-FI-X30FR	FI-X30FR	A	30	Cable Side	1,75	1,65	1,39	1,30
Receptacles								
656-FI-XB30SRLHF11	FI-XB30SRL-HF11	B	30	Right Angle Sunken	10,26	7,29	6,61	6,39
656-FI-XB30SL-HF10	FI-XB30SL-HF10	B	30	Right Angle with Lock	3,72	3,37	2,82	2,61
Contacts								
656-FI-XC3-1-15000	FI-XC3-1-15000	-	-	Crimp Contacts 30-36 AWG	0,10	0,083	0,066	0,058



RoHS Compliant

For quantities greater than listed, call for quote.

MOUSER STOCK NO.	JAE Part No.	Description	Price Each
656-CT150-4C-FIX	CT150-4C-FIX	Hand Crimp Tool	817,47

TOOL

FI-E SERIES 1.0MM PCB TO CABLE CONNECTORS

- Alignment guide allows for blind mating
- Current Rating: AC/DC 1 Amp per contact
- RoHS Compliance per JAE Documentation



RoHS Compliant

For quantities greater than listed, call for quote.

MOUSER STOCK NO.	JAE Part No.	Fig.	No. of Pos.	Description	Price Each			
					1	25	100	250
656-FI-E30HL	FI-E30HL	A	30	Crimp, Cable Side Plug	5,18	3,51	3,10	2,99
656-FI-E30S	FI-E30S	B	30	Right Angle Receptacle	6,00	4,66	4,11	3,97

FI SERIES 1.25MM SMT WIRE TO BOARD CONNECTORS

- High density connectors for board to cable connections
- Friction Lock Housing
- FPC Versions Available
- Current Rating: 1 A
- Operating Temperature: -40° to +80°C
- Crimp contacts sold separately
- RoHS Compliance per JAE documentation



RoHS Compliant

* Electromagnetic Shield

For quantities greater than listed, call for quote.

MOUSER STOCK NO.	JAE Part No.	Fig.	No. of Pos.	Description	Price Each			
					1	25	100	250
Single Row Surface Mount								
656-FI-S4P-HFE	FI-S4P-HFE	B	4	Right Angle SMT Receptacle	1,41	1,16	1,01	0,965
656-FI-S5P-HFE	FI-S5P-HFE	B	5	Right Angle SMT Receptacle	1,41	1,16	1,01	0,965
656-FI-S10P-HFE	FI-S10P-HFE	B	10	Right Angle SMT Receptacle	2,26	1,49	1,26	1,19
656-FI-S20P-HFE	FI-S20P-HFE	B	20	Right Angle SMT Receptacle	1,87	1,83	1,70	1,64
* 656-FI-SE20-HFE	FI-SE20P-HFE	B	20	Right Angle SMT Receptacle	5,68	5,55	5,15	4,95
* 656-FI-SE30P-HFE	FI-SE30P-HFE	B	30	Right Angle SMT Receptacle	8,33	6,95	6,31	5,95
656-FI-S4S	FI-S4S	A	4	Cable Mount Plug	0,50	0,418	0,351	0,326
656-FI-S5S	FI-S5S	A	5	Cable Mount Plug	0,63	0,534	0,451	0,435
656-FI-S10S	FI-S10S	A	10	Cable Mount Plug	1,13	0,696	0,588	0,555
656-FI-S20S	FI-S20S	A	20	Cable Mount Plug	0,67	0,656	0,606	0,584
* 656-FI-SE20ME	FI-SE20ME	A	20	Cable Mount Plug	4,83	3,75	3,32	3,20
656-FI-S30S	FI-S30S	A	30	Cable Mount Plug	1,16	0,957	0,825	0,78
Double Row Surface Mount								
* 656-FI-WE21P-HFE	FI-WE21P-HFE	C	21	Right Angle SMT Receptacle	7,57	5,53	5,01	4,83
* 656-FI-TWE31PB-VF	FI-TWE31PB-VF	D	31	Vertical SMT Receptacle	10,34	7,56	6,85	6,62
* 656-FI-WE31P-HFE	FI-WE31P-HFE	C	31	Right Angle SMT Receptacle	6,51	6,35	5,89	5,65
656-FI-W31P-HFE	FI-W31P-HFE	C	31	Right Angle SMT Receptacle	4,49	3,58	3,19	3,07
656-FI-W41P-HFE	FI-W41P-HFE	C	41	Right Angle SMT Receptacle	5,32	4,13	3,65	3,52
* 656-FI-WE41P-HFE	FI-WE41P-HFE	C	41	Right Angle SMT Receptacle	9,22	6,74	6,11	5,90
656-FI-W11S	FI-W11S	E	11	Cable Mount Plug	0,73	0,638	0,563	0,53
656-FI-W21S	FI-W21S	E	21	Cable Mount Plug	1,01	0,85	0,733	0,709
656-FI-W31S	FI-W31S	E	31	Cable Mount Plug	1,16	0,957	0,825	0,821
656-FI-W41S	FI-W41S	E	41	Cable Mount Plug	1,89	1,16	0,982	0,924
Contacts								
656-FI-C3-A1-15000	FI-C3-A1-15000			Crimp Contacts 28-32 AWG	0,09	0,078	0,062	0,058

CABLE ASSEMBLY HIGH SPEED DEVELOPMENT KITS FOR LVDS

- High speed LVDS cable assemblies for applications such as LCD Monitors, Projectors, Medical Defibrillators, Hand held GPS and many other applications
- Kit includes 2 of each connector, 300mm discrete wire with Pre-crimped Contacts
- Customer populates the crimped contacts in the housing according to their requirements



RoHS Compliant

For quantities greater than listed, call for quote.

MOUSER STOCK NO.	JAE Part No.	Fig.	No. of Pos.	Description	Price Each			
					1	25	100	250
656-FIS20SKITASSY	FI-S20S-KITASSY-300M	A	20	FI-S20S Connectors, 300mm	6,38	5,88	5,47	5,11
656-FIX30HLKITASSY	FI-X30HL-KITASSY-300M	-	30	FI-X30HL Connectors, 300mm	8,76	8,09	7,51	7,00
656-FIRE41HLKITASSY	FI-RE41HL-KITASSY-300M	F	41	FI-RE41HL Connectors, 300mm	12,10	11,17	10,37	9,68
656-FIRE51HLKITASSY	FI-RE51HL-KITASSY-300M	F	51	FI-RE51HL Connectors, 300mm	14,19	13,10	12,16	11,35

© Copyright 2012 Mouser Electronics

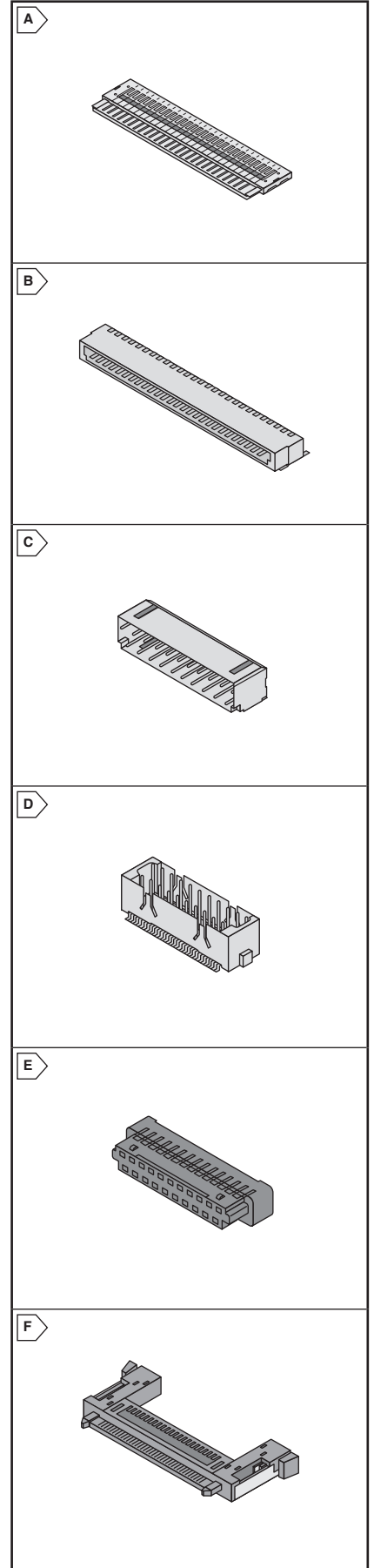
All Prices
In EURO

© Copyright 2012 Mouser Electronics

1358

mouser.com/jae

EUsales@mouser.com



Wire-to-Board and Board-to-Board Connectors

RoHS Compliant This product is RoHS compliant.

PICO-EZMATE™ 1.20MM (.047") PITCH WIRE-TO-BOARD CONNECTORS

Specifications:

- Housing: LCP, UL94V-0, Black
- Contact Plating: Gold
- Voltage: 50V max
- Current: 1.5A max

Features:

- Ultra Low Profile
- 1.4mm mated height
- Easy Vertical Mating
- Audible Click to ensure mating integrity

For quantities greater than listed, call for quote.

MOUSER STOCK NO.	Molex Part No.	Fig.	No. of Circuits	Overall Length (mm)	First to Last Circuit (mm)	Price Each			
						1	10	100	500
Receptacle Housings									
538-78172-0002	78172-0002	A	2	2.6	1.2	0,14	0,133	0,13	0,119
538-78172-0003	78172-0003	A	3	3.8	2.4	0,19	0,153	0,151	0,14
538-78172-0004	78172-0004	A	4	5.0	3.6	0,19	0,153	0,151	0,14
538-78172-0005	78172-0005	A	5	6.2	4.8	0,22	0,184	0,161	0,151
538-78172-5006	78172-5006	A	6	7.34	6.0	0,41	0,347	0,303	0,271
Headers - Vertical									
538-78171-0002	78171-0002	B	2	4.2	1.2	0,45	0,399	0,357	0,324
538-78171-0003	78171-0003	B	3	5.4	2.4	0,48	0,429	0,379	0,346
538-78171-0004	78171-0004	B	4	6.6	3.6	0,52	0,45	0,411	0,368
538-78171-0005	78171-0005	B	5	7.8	4.8	0,58	0,501	0,455	0,411
538-78171-5006	78171-5006	B	6	9.0	6.0	0,87	0,807	0,726	0,65

Terminal - Use with Receptacle Housing

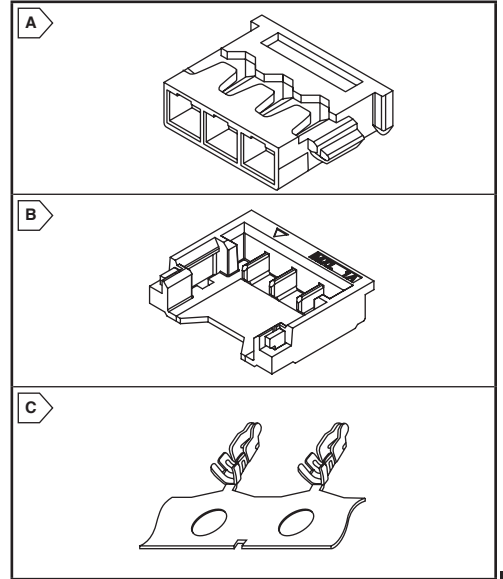
For quantities greater than listed, call for quote.

MOUSER STOCK NO.	Molex Part No.	Fig.	Wire Gauge	Contact	Contact Plating	Price Each			
						1	10	100	500
538-78172-0410	78172-0410	C	28-30	Copper Alloy	Gold	0,11	0,098	0,095	0,085

Tooling

For quantities greater than listed, call for quote.

MOUSER STOCK NO.	Molex Part No.	Fig.	Wire Gauge	Description	Price Each
538-63819-4300	63819-4300	-	28-30	Hand Crimp Tool	313,92



DURA CLIK™ 2.00MM (.079") PITCH WIRE-TO-BOARD CONNECTORS

Specifications:

- Housing: Receptacle PBT White, Header PBT Beige
- Contact Plating: Tin
- Voltage: 125V max
- Current: 3A max

Features:

- Secure inner lock system
- Wide/long end fitting solder nails
- SMT tail protector
- Positive lock with audible click

For quantities greater than listed, call for quote.

MOUSER STOCK NO.	Molex Part No.	Fig.	No. of Circuits	Overall Length (mm)	First to Last Circuit (mm)	Price Each			
						1	10	100	500
Receptacle Housings									
538-502351-0200	502351-0200	A	2	6.1	4	0,38	0,327	0,292	0,271
538-502351-0400	502351-0400	A	4	10.1	8	0,39	0,347	0,335	0,303
538-502351-0600	502351-0600	A	6	14.1	12	0,55	0,46	0,444	0,389
538-502351-0800	502351-0800	A	8	18.1	16	0,50	0,48	0,465	0,411
Headers - Right Angle									
538-502352-0200	502352-0200	B	2	8	4	1,74	1,56	1,42	1,24
538-502352-0400	502352-0400	B	4	12	8	1,43	1,37	1,28	1,13
538-502352-0600	502352-0600	B	6	16	12	1,45	1,37	1,27	1,14
538-502352-0800	502352-0800	B	8	20	16	1,89	1,77	1,68	1,50

Terminal - Female

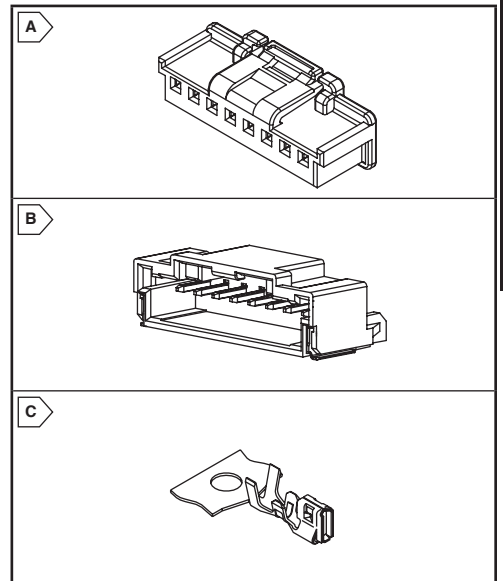
For quantities greater than listed, call for quote.

MOUSER STOCK NO.	Molex Part No.	Fig.	Wire Gauge	Contact	Contact Plating	Price Each			
						1	10	100	500
538-50212-8100	50212-8100	C	24-30	Phosphor Bronze	Tin	0,24	0,186	0,162	0,137

Tooling

For quantities greater than listed, call for quote.

MOUSER STOCK NO.	Molex Part No.	Fig.	Wire Gauge	Description	Price Each
538-63819-0500	63819-0500	-	24-30	Hand Crimp Tool	274,91



FLEXI-MATE™ 3.70MM (.146") PITCH BOARD-TO-BOARD AND WIRE-TO-BOARD CONNECTORS

Specifications:

- Voltage (max.): 500V
- Current (max.): 2.0A max.
- Contact Resistance: 40 milliohms max.
- Dielectric Withstanding Voltage: 1500V AC
- Insulation Resistance: 1,000 Megohms min.

Features:

- Board-to-board, wire-to-board and terminator options
- Positive side latches on crimp housing
- Dual-contact wire-to-board and board-to-board terminal design
- Mating guide features on PCB versions
- Shrouded contacts



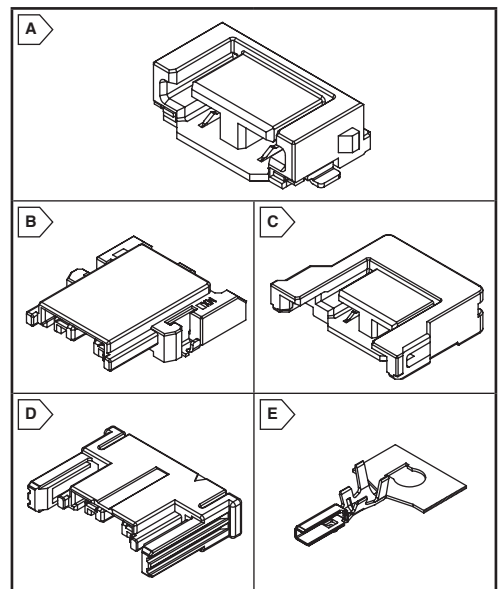
For quantities greater than listed, call for quote.

MOUSER STOCK NO.	Molex Part No.	Fig.	No. of Circuits	Overall Length (mm)	First to Last Circuit (mm)	Price Each			
						1	10	100	500
PCB Receptacle									
538-503471-0200	503471-0200	A	2	9.75	3.7	0,53	0,471	0,434	0,362
PCB Plug									
538-503469-0200	503469-0200	B	2	9.3	3.7	0,60	0,522	0,415	0,379
Terminator Receptacle									
538-503474-0200	503474-0200	C	2	9.3	3.7	0,60	0,531	0,409	0,378
Crimp Housing									
538-503473-0200	503473-0200	D	2	12.2	3.7	0,37	0,327	0,256	0,235
Crimp Terminal									
MOUSER STOCK NO.	Molex Part No.	Fig.	Plating	AWG	Price Each				
538-503485-0000	503485-0000	E	Tin	26-28	1	0,09	0,082	0,072	0,061

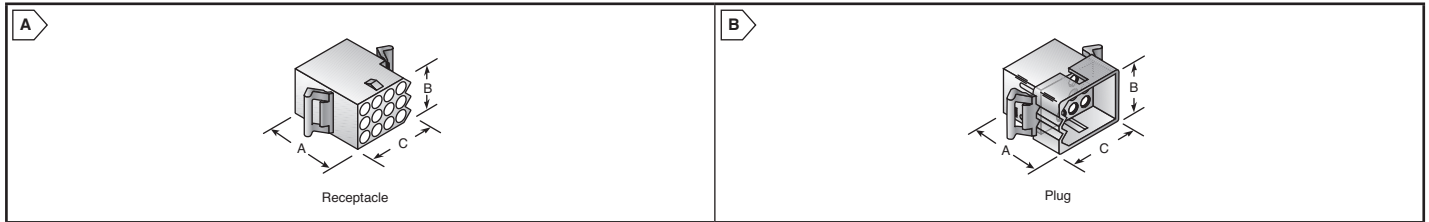
Tooling

For quantities greater than listed, call for quote.

MOUSER STOCK NO.	Molex Part No.	Fig.	Wire Gauge	Description	Price Each
538-63823-5800	63823-5800	-	26-28	Hand Crimp Tool	318,39



MOLEX .062" Pin and Socket Connectors



STANDARD .062" RECEPTACLES

- UL94V-2, Nylon
- Friction lock
- Polarized housing assures proper mating
- Male and female terminals may be used in receptacle housings
- Detent Lock
- RoHS compliant per Molex documentation



Panel Mount Receptacles - With Ears

For quantities greater than listed, call for quote.

MOUSER STOCK NO.	Molex Part No.	Fig.	No. of Pos.	Circuit Pattern	Dimensions: in.			Price Each		
					A	B	C	1	10	100
538-03-06-1022	03-06-1022	A	2	In-line	.81	.19	.34	0,23	0,204	0,186
538-03-06-1038	03-06-1038	A	3	In-line	.78	.19	.48	0,37	0,314	0,227
538-03-06-1043	03-06-1043	A	4	Matrix	.77	.34	.34	0,55	0,45	0,325
538-03-06-1055	03-06-1055	A	5	In-line	.78	.19	.78	0,60	0,48	0,346
538-03-06-1061	03-06-1061	A	6	Matrix	.78	.49	.34	0,61	0,501	0,357
538-03-06-1121	03-06-1121	A	12	Matrix	.78	.49	.63	0,64	0,521	0,379
538-03-06-6155	03-06-6155	A	15	Matrix	.78	.49	.77	0,81	0,705	0,476
538-03-06-1241	03-06-1241	A	24	Matrix	.75	.63	.92	1,95	1,67	1,29
538-03-06-1361	03-06-1361	A	36	Matrix	.78	.69	1.50	1,55	1,31	0,91

STANDARD .062" PLUGS

- UL94V-2, Nylon
- Friction lock
- Polarized housing assures proper mating
- Male and female terminals may be used in plug housings
- Detent Locking Window



Panel Mount Plugs - With Ears

For quantities greater than listed, call for quote.

MOUSER STOCK NO.	Molex Part No.	Fig.	No. of Pos.	Circuit Pattern	Dimensions: in.			Price Each		
					A	B	C	1	10	100
538-03-06-2024	03-06-2024	B	2	In-line	.78	.30	.44	0,31	0,245	0,186
538-03-06-2033	03-06-2033	B	3	In-line	.75	.30	.59	0,19	0,17	0,162
538-03-06-2041	03-06-2041	B	4	In-line	.75	.29	.73	0,47	0,419	0,335
538-03-06-2043	03-06-2043	B	4	Matrix	.77	.44	.44	0,51	0,45	0,324
538-03-06-2054	03-06-2054	B	5	In-line	.75	.31	.89	0,60	0,48	0,346
538-03-06-2062	03-06-2062	B	6	Matrix	.75	.60	.45	0,51	0,45	0,357
538-03-06-2091	03-06-2091	B	9	Matrix	.75	.59	.59	0,63	0,511	0,45
538-03-06-2121	03-06-2121	B	12	Matrix	.75	.59	.74	0,37	0,36	0,355
538-03-06-2151	03-06-2151	B	15	Matrix	.75	.59	.87	0,44	0,42	0,402
538-03-06-2241	03-06-2241	B	24	Matrix	.75	.74	1.02	1,95	1,58	1,33

Free-Hanging Receptacles - Without Ears

For quantities greater than listed, call for quote.

MOUSER STOCK NO.	Molex Part No.	Fig.	No. of Pos.	Circuit Pattern	Dimensions: in.			Price Each		
					A	B	C	1	10	100
538-03-06-1011	03-06-1011	A	1	In-line	.78	---	.19	0,14	0,133	0,107
538-03-06-1023	03-06-1023	A	2	In-line	.81	.19	.34	0,23	0,204	0,182
538-03-06-1032	03-06-1032	A	3	In-line	.78	.19	.48	0,39	0,307	0,227
538-03-06-1042	03-06-1042	A	4	In-line	.78	.19	.63	0,55	0,45	0,325
538-03-06-1044	03-06-1044	A	4	Matrix	.77	.34	.34	0,52	0,45	0,324
538-03-06-1056	03-06-1056	A	5	In-line	.78	.19	.78	0,26	0,25	0,24
538-03-06-1062	03-06-1062	A	6	Matrix	.78	.49	.34	0,61	0,501	0,357
538-03-06-1092	03-06-1092	A	9	Matrix	.78	.49	.49	0,62	0,511	0,387
538-03-06-1122	03-06-1122	A	12	Matrix	.78	.49	.63	0,62	0,521	0,379
538-03-06-1152	03-06-1152	A	15	Matrix	.78	.49	.77	0,79	0,664	0,481

Free-Hanging Plugs - Without Ears

For quantities greater than listed, call for quote.

MOUSER STOCK NO.	Molex Part No.	Fig.	No. of Pos.	Circuit Pattern	Dimensions: in.			Price Each		
					A	B	C	1	10	100
538-03-06-2011	03-06-2011	B	1	In-line	.75	---	.30	0,16	0,133	0,108
538-03-06-2023	03-06-2023	B	2	In-line	.78	.30	.44	0,22	0,153	0,147
538-03-06-2032	03-06-2032	B	3	In-line	.75	.30	.59	0,39	0,307	0,227
538-03-06-2042	03-06-2042	B	4	In-line	.75	.29	.73	0,35	0,33	0,317
538-03-06-2044	03-06-2044	B	4	Matrix	.77	.44	.44	0,55	0,45	0,324
538-03-06-2055	03-06-2055	B	5	In-line	.75	.31	.89	0,51	0,45	0,355
538-03-06-2061	03-06-2061	B	6	Matrix	.75	.60	.45	0,61	0,501	0,357
538-03-06-2092	03-06-2092	B	9	Matrix	.75	.59	.59	0,63	0,511	0,374
538-03-06-2122	03-06-2122	B	12	Matrix	.75	.59	.74	0,64	0,521	0,384
538-03-06-2152	03-06-2152	B	15	Matrix	.75	.59	.87	0,82	0,664	0,476
538-03-06-2242	03-06-2242	B	24	Matrix	.75	.74	1.02	2,22	1,87	1,33

STANDARD .062" FEMALE TERMINALS



For quantities greater than listed, call for quote.

MOUSER STOCK NO.	Molex Part No.	Fig.	Type	Wire Size AWG	Price Each		
					1	100	500
Female - Tin							
538-02-06-1103	02-06-1103	-	Crimp	18 - 24	0,08	0,06	0,059
538-02-06-1132	02-06-1132	-	Crimp	24 - 30	0,09	0,072	0,067
Female - .008" Tin Over Phosphor Bronze							
538-02-06-1202	02-06-1202	-	Crimp	18 - 24	0,15	0,112	0,102
Female - 15µ" Gold							
538-02-06-5103	02-06-5103	-	Crimp	18 - 24	0,64	0,511	0,435
538-02-06-5135	02-06-5135	-	Crimp	24 - 30	0,55	0,53	0,523
Female - 30µ" Gold							
538-02-06-5102	02-06-5102	-	Crimp	18 - 24	0,30	0,274	0,26
Female - .008" Tin							
538-02-06-7103	02-06-7103	-	PC tail	-	0,17	0,16	0,154
Female - 30µ" Gold PC Tail Tin							
538-02-06-7104	02-06-7104	-	PC tail	-	0,74	0,573	0,476

STANDARD .062" MALE TERMINALS



For quantities greater than listed, call for quote.

MOUSER STOCK NO.	Molex Part No.	Fig.	Type	Wire Size AWG	Price Each		
					1	100	500
Male - Tin							
538-02-06-2103	02-06-2103	-	Crimp	18 - 24	0,07	0,06	0,058
538-02-06-2132	02-06-2132	-	Crimp	24 - 30	0,08	0,07	0,061
Male - 15µ" Gold							
538-02-06-6103	02-06-6103	-	Crimp	18 - 24	0,48	0,46	0,454
538-02-06-6135	02-06-6135	-	Crimp	24 - 30	0,59	0,501	0,409
Male - 30µ" Gold							
538-02-06-6102	02-06-6102	-	Crimp	18 - 24	0,29	0,265	0,252
Male - .008" Tin							
538-02-06-8103	02-06-8103	-	PC tail	-	0,14	0,13	0,121
Male - 30µ" Gold PC Tail Tin							
538-02-06-6122	02-06-6122	-	PC tail	-	0,71	0,572	0,476

DESIGNER/SERVICE KITS

Includes: connectors, crimp tool, and extraction tool

For quantities greater than listed, call for quote.

MOUSER STOCK NO.	Description	Price Each
538-WM-72	.062" connector kit with crimp tool	36,09
538-MXWM-72	.062" connector kit with premium crimp tool	55,07

TOOLING

MOUSER STOCK NO.	Description	Price Each
538-63819-0800	Hand Crimp Tool	317,84
538-11-03-0002	Extraction	17,29
538-11-02-0001	Insertion Tool	32,38

MOLEX Pin and Socket Connectors and Tools (.084" - MLX Series)

PLUGS

Series 42021

Features:

- Interchangeable, interchangeable, and intermountable with industry-standard versions
- Positive Locks
- Fully isolated contacts
- Circuit ID grooves to reduce assembly errors
- Anti-stress positioning tabs to reduce breakage
- Mates with: Series 42022 Receptacles and Series 42002 Headers
- Material, plug housing: Nylon, UL94V-2, White
- Operating Temperature: -55° to +105°C
- Voltage: 600V ⚡
- UL File No: E29179
- CSA File No: LR19980

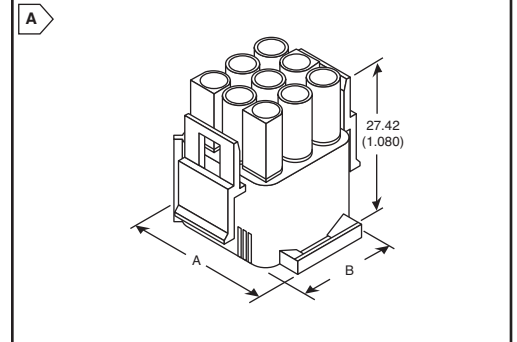


For quantities greater than listed, call for quote.

MOUSER STOCK NO.	Molex Part No.	Fig.	No. of Positions	Amps/Circuit (Max.):*	Dimensions: in.		Price Each			
					A	B	1	10	100	500
538-50-84-1020	50-84-1020	A	2	13.5	0.580	0.550	0,26	0,215	0,14	0,119
538-50-84-1030	50-84-1030	A	3	13.5	0.580	0.800	0,30	0,256	0,173	0,14
538-50-84-1040	50-84-1040	A	4	13.5	0.580	1.050	0,34	0,296	0,194	0,161
538-50-84-1060	50-84-1060	A	6	11	1.080	0.550	0,21	0,20	0,197	0,187
538-50-84-1090	50-84-1090	A	9	11	1.080	0.800	0,47	0,409	0,279	0,216
538-50-84-1120	50-84-1120	A	12	11	1.080	1.050	0,71	0,623	0,422	0,335
538-50-84-1150	50-84-1150	A	15	11	1.080	1.30	0,80	0,664	0,465	0,368

* Ratings are per circuit, based on fully loaded housings

DIMENSIONS: mm (in.)



RECEPTACLES

Series 42022

Features:

- Interchangeable, interchangeable and intermountable with industry-standard versions
- Positive locks
- Fully isolated contacts
- Circuit ID grooves to reduce assembly errors
- Anti-stress positioning tabs to reduce breakage
- Mates with: Series 42021
- Material, receptacle housing: Nylon, UL94V-2, White
- Operating Temperature: -55° to +105°C
- Voltage: 600V ⚡
- UL File No: E29179
- CSA File No: LR19980

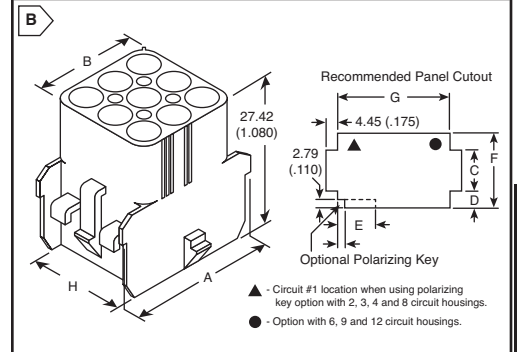


For quantities greater than listed, call for quote.

MOUSER STOCK NO.	Molex Part No.	Fig.	No. of Pos.	Amps/Circuit (Max.):*	Dimensions: in.								Price Each			
					A	B	C**	D	E	F	G	H	1	10	100	500
538-50-84-2020	50-84-2020	B	2	13.5	.62	.300	.340	.095	.250	.53	.565	.550	0,69	0,598	0,414	0,315
538-50-84-2030	50-84-2030	B	3	13.5	.62	.300	.340	.095	.250	.53	.815	.800	0,77	0,645	0,432	0,341
538-50-84-2040	50-84-2040	B	4	13.5	.62	.300	.340	.095	.250	.53	1.065	1.050	1,04	0,879	0,598	0,479
538-50-84-2060	50-84-2060	B	6	11	1.12	.800	.340	.275	.250	1.03	.565	.550	1,11	0,984	0,646	0,505
538-50-84-2090	50-84-2090	B	9	11	1.12	.800	.480	.275	.250	1.03	.815	.800	1,35	1,18	0,793	0,635
538-50-84-2120	50-84-2120	B	12	11	1.12	.800	.480	.275	.350	1.03	1.065	1.050	2,01	1,78	1,20	0,942
538-50-84-2150	50-84-2150	B	15	11	1.12	.800	.480	.275	.350	1.03	1.315	1.300	2,33	2,03	1,35	1,09

* Ratings are per circuit, based on fully loaded housings

** Cap housing should be installed into panel in the same direction as the panel cutout is punched



Optional Polarizing Key

- ▲ - Circuit #1 location when using polarizing key option with 2, 3, 4 and 8 circuit housings.
- - Option with 6, 9 and 12 circuit housings.

VERTICAL HEADERS

Features:

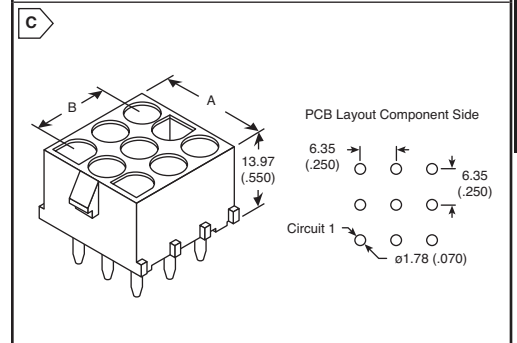
- Material: Header Housing: UL94V-2, White
Header Contact: Phosphor Bronze
Plating: Tin
- Operating Temperature: -55° to +105°C
- Voltage: 600V ⚡
- Amperes: 2, 3, 4 circuits all 13.5
- Amperes: 6, 9, 12, 15 circuits all 11.0



For quantities greater than listed, call for quote.

MOUSER STOCK NO.	Molex Part No.	Fig.	No. of Positions	Description	Dimensions: in.		Price Each			
					A	B	1	10	100	500
538-10-84-4020	10-84-4020	C	2	Male	0.300	0.550	0,64	0,572	0,518	0,518
538-10-84-4022	10-84-4022	C	2	Female	0.300	0.550	0,51	0,439	0,292	0,238
538-10-84-4030	10-84-4030	C	3	Male	0.300	0.800	0,89	0,787	0,519	0,411
538-10-84-4032	10-84-4032	C	3	Female	0.300	0.800	0,62	0,45	0,357	0,324
538-10-84-4040	10-84-4040	C	4	Male	0.300	1.050	0,98	0,736	0,573	0,455
538-10-84-4042	10-84-4042	C	4	Female	0.300	1.050	0,90	0,787	0,519	0,422
538-10-84-4060	10-84-4060	C	6	Male	0.800	0.550	0,92	0,71	0,68	0,63
538-10-84-4062	10-84-4062	C	6	Female	0.800	0.550	1,45	1,30	1,20	1,20
538-10-84-4090	10-84-4090	C	9	Male	0.800	0.800	1,50	1,20	1,05	0,844
538-10-84-4092	10-84-4092	C	9	Female	0.800	0.800	1,72	1,50	1,45	1,45
538-10-84-4120	10-84-4120	C	12	Male	0.800	1.050	2,37	2,08	1,38	1,10
538-10-84-4122	10-84-4122	C	12	Female	0.800	1.050	2,62	2,30	1,53	1,25
538-10-84-4150	10-84-4150	C	15	Male	0.800	1.300	3,00	2,65	1,76	1,40
538-10-84-4152	10-84-4152	C	15	Female	0.800	1.300	1,96	1,67	1,50	1,34

* Ratings are per circuit, based on fully loaded housings



PCB Layout Component Side

CONTACTS

Features:

- Plating: Tin
- Insulation Diameter: 10-12AWG: 3.30 (.130) min., 5.08 (.200) max.
- Insulation Diameter: 14-20AWG: 1.52 (.060) min., 3.30 (.130) max.

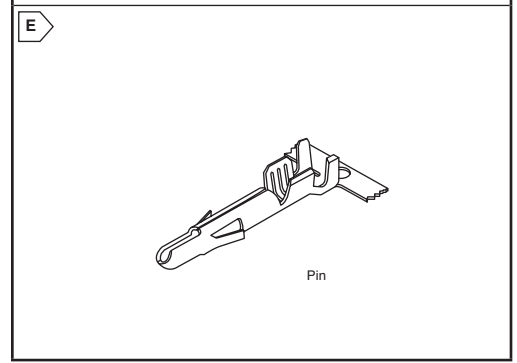
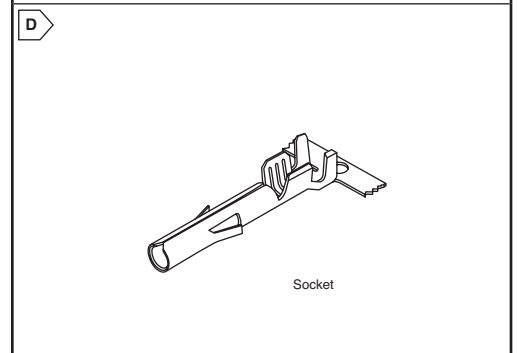
For quantities greater than listed, call for quote.

MOUSER STOCK NO.	Molex Part No.	Fig.	Wire Size (AWG)	Description	Type	Price Each			
						1	100	500	1000
538-36664-0002	36664-0002	D	10-12	Female	Standard Brass .012"	0,12	0,112	0,108	0,097
538-02-08-1002	02-08-1002	D	14-20	Female	Standard Brass .012"	0,08	0,059	0,051	0,045
538-02-08-1004	02-08-1004	D	14-20	Female	Phosphor Bronze .012"	0,10	0,097	0,086	0,086
538-36663-0002	36663-0002	E	10-12	Male	Standard Brass .012"	0,12	0,112	0,108	0,097
538-02-08-2004	02-08-2004	E	14-20	Male	Standard Brass .012"	0,06	0,051	0,047	0,038
538-02-08-2006	02-08-2006	E	14-20	Male	Phosphor Bronze .012"	0,10	0,092	0,086	0,076

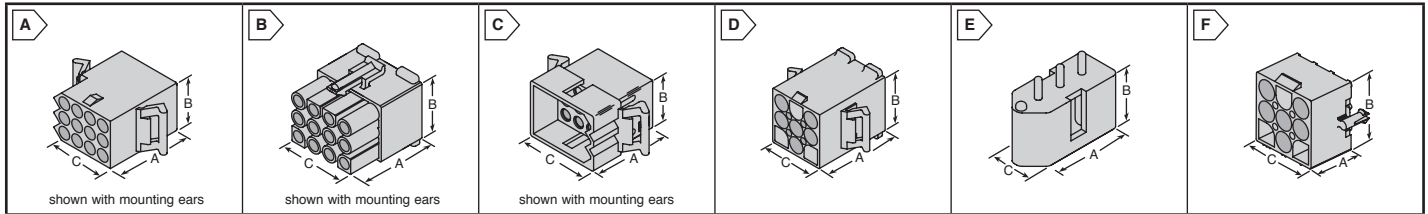
TOOLS

For quantities greater than listed, call for quote.

MOUSER STOCK NO.	Molex Part No.	Wire Size (AWG)	Description	Price Each
538-11-01-0168	11-01-0168	14-20	Extraction Tool	63,72
538-63811-6800	63811-6800	14-20	Hand Tool	248,62



MOLEX .093" Pin and Socket Connectors



.093" RECEPTACLES

For quantities greater than listed, call for quote.

MOUSER STOCK NO.	Molex Part No.	Fig.	No. of Cir.	Circuit Pattern	Dimensions: in.			Price Each		
					A	B	C	1	10	100
Standard .198" Panel Mount Receptacles - 94V-2										
* 538-03-09-1027	03-09-1027	A	2	In-line	1.03	.25	.54	0.27	0.235	0.192
538-03-09-1081	03-09-1081	A	3	In-line	1.01	.24	.67	0.20	0.19	0.188
538-03-09-1040	03-09-1040	A	4	Matrix	1.03	.43	.43	0.34	0.32	0.308
538-03-09-1041	03-09-1041	A	4	In-line	1.03	.24	.87	0.44	0.22	0.181
538-03-09-1061	03-09-1061	A	6	Matrix	1.02	.63	.43	0.51	0.28	0.247
538-03-09-1091	03-09-1091	A	9	Matrix	1.03	.63	.67	0.68	0.34	0.283
538-03-09-1125	03-09-1125	A	12	Matrix	1.02	.63	.87	0.43	0.42	0.414
538-03-09-1151	03-09-1151	A	15	Matrix	1.02	.63	1.07	0.94	0.53	0.479
Standard .198" Free-Hanging Receptacles - 94V-2										
538-03-09-1011	03-09-1011	A	1	In-line	1.03	.23	-	0.15	0.123	0.103
538-03-09-1022	03-09-1022	A	2	In-line	1.02	.25	.54	0.27	0.235	0.217
538-03-09-1032	03-09-1032	A	3	In-line	1.01	.24	.67	0.37	0.327	0.248
538-03-09-1042	03-09-1042	A	4	In-line	1.06	.27	1.03	0.46	0.399	0.27
538-03-09-1049	03-09-1049	A	4	Matrix	1.03	.43	.43	0.37	0.35	0.334
538-03-09-1064	03-09-1064	A	6	Matrix	1.05	.63	.63	0.32	0.287	0.287
538-03-09-1094	03-09-1094	A	9	Matrix	1.03	.63	.67	0.73	0.634	0.427
538-03-09-1126	03-09-1126	A	12	Matrix	1.02	.63	.87	0.43	0.42	0.411
538-03-09-1157	03-09-1157	A	15	Matrix	1.02	.63	1.07	1.06	0.797	0.526
.264" Receptacles - 94V-0 - 3191 Series										
538-19-09-1016t	19-09-1016	B	1	In-line	1.18	.42	.30	0.46	0.347	0.276
538-19-09-1026	19-09-1026	B	2	In-line	1.18	.50	.56	0.75	0.664	0.517
538-19-09-1036	19-09-1036	B	3	In-line	1.18	.52	.85	0.57	0.54	0.514
538-19-09-1046	19-09-1046	B	4	In-line	1.18	.50	1.09	0.45	0.43	0.411
538-19-09-1066	19-09-1066	B	6	Matrix	1.18	.76	.83	1.04	0.99	0.943
538-19-09-1096	19-09-1096	B	9	Matrix	1.18	.83	1.03	0.82	0.78	0.745
538-19-09-1126	19-09-1126	B	12	Matrix	1.18	.83	1.09	1.43	1.27	0.844
538-19-09-1156	19-09-1156	B	15	Matrix	1.18	.83	1.35	0.77	0.74	0.703
.264" Receptacles - 94V-2 - 3191 Series										
538-19-09-1019	19-09-1019	B	1	In-line	1.18	.42	.30	0.22	0.21	0.207
538-19-09-1029	19-09-1029	B	2	In-line	1.18	.50	.56	0.23	0.22	0.211
538-19-09-1039	19-09-1039	B	3	In-line	1.18	.52	.85	0.49	0.368	0.303
538-19-09-1049	19-09-1049	B	4	In-line	1.18	.50	1.09	0.29	0.28	0.253
538-19-09-1069	19-09-1069	B	6	Matrix	1.18	.76	.83	0.43	0.39	0.383
538-19-09-1099	19-09-1099	B	9	Matrix	1.18	.83	1.03	0.49	0.48	0.46
538-19-09-1129	19-09-1129	B	12	Matrix	1.18	.83	1.09	0.68	0.64	0.617
538-19-09-1159	19-09-1159	B	15	Matrix	1.18	.83	1.35	0.72	0.71	0.68

*: .248" grid spacing

Rectangular Connectors

.093" PLUGS (CONT.)

For quantities greater than listed, call for quote.

MOUSER STOCK NO.	Molex Part No.	Fig.	No. of Cir.	Circuit Pattern	Dimensions: in.			Price Each		
					A	B	C	1	10	100
.264" Panel Mount Plugs - 94V-2 - 3191 Series										
538-19-09-2018	19-09-2018	D	1	In-line	1.18	.42	.30	0.38	0.37	0.217
538-19-09-2028	19-09-2028	D	2	In-line	1.18	.52	.59	0.36	0.35	0.34
538-19-09-2038	19-09-2038	D	3	In-line	1.18	.52	.85	0.28	0.27	0.266
538-19-09-2048	19-09-2048	D	4	In-line	1.18	.50	1.09	0.62	0.552	0.465
538-19-09-2068	19-09-2068	D	6	Matrix	1.18	.42	.30	0.42	0.41	0.401
538-19-09-2098	19-09-2098	D	9	Matrix	1.18	.52	.59	0.74	0.72	0.668
538-19-09-2128	19-09-2128	D	12	Matrix	1.18	.52	.85	1.01	0.96	0.917
538-19-09-2158	19-09-2158	D	15	Matrix	1.18	.50	1.09	0.98	0.97	0.93
.264" Free-Hanging Plugs - 94V-0 - 3191 Series										
538-19-09-2016	19-09-2016	D	1	In-line	1.18	.42	.30	0.29	0.256	0.216
538-19-09-2026	19-09-2026	D	2	In-line	1.18	.52	.59	0.76	0.73	0.694
538-19-09-2036	19-09-2036	D	3	In-line	1.18	.52	.85	0.43	0.42	0.41
538-19-09-2046	19-09-2046	D	4	In-line	1.18	.50	1.09	0.91	0.86	0.781
538-19-09-2126	19-09-2126	D	12	Matrix	1.18	.52	.85	0.98	0.97	0.93
.264" Free-Hanging Plugs - 94V-2 - 3191 Series										
538-19-09-2019	19-09-2019	D	1	In-line	1.18	.42	.30	0.17	0.16	0.156
538-19-09-2029	19-09-2029	D	2	In-line	1.18	.52	.59	0.25	0.24	0.23
538-19-09-2039	19-09-2039	D	3	In-line	1.18	.52	.85	0.23	0.22	0.215
538-19-09-2049	19-09-2049	D	4	In-line	1.18	.50	1.09	0.43	0.41	0.394
538-19-09-2069	19-09-2069	D	6	Matrix	1.18	.42	.30	0.52	0.50	0.477
538-19-09-2099	19-09-2099	D	9	Matrix	1.18	.52	.59	0.43	0.41	0.394
538-19-09-2129	19-09-2129	D	12	Matrix	1.18	.52	.85	0.48	0.47	0.46
538-19-09-2159	19-09-2159	D	15	Matrix	1.18	.50	1.09	0.92	0.91	0.87

.093" HEADERS



For quantities greater than listed, call for quote.

MOUSER STOCK NO.	Molex Part No.	Fig.	No. of Cir.	Circuit Pattern	Dimensions: in.			Price Each		
					A	B	C	1	10	100
.198" Shrouded Headers - Mates with Standard .093 receptacles										
538-10-18-1032	10-18-1032	E	3	In-line	.42	.77	1.34	1.31	1.28	
538-10-18-1041	10-18-1041	E	4	In-line	.33	.42	2.03	1.83	1.49	
538-10-18-1061	10-18-1061	E	6	Matrix	.54	.42	3.03	2.49	1.56	
538-10-18-1090	10-18-1090	E	9	Matrix	.77	.42	3.92	3.46	2.30	
.264" Shrouded Headers - Mates with 3191 Series Receptacles										
538-15-31-1026	15-31-1026	F	2	In-line	.37	.42	1.40	1.12	0.912	
538-15-31-1036	15-31-1036	F	3	In-line	.37	.42	1.56	1.25	0.974	
538-15-31-1046	15-31-1046	F	4	In-line	.37	.42	1.33	1.27	1.20	
538-15-31-1066	15-31-1066	F	6	Matrix	.64	.42	1.95	1.85	1.76	
538-15-31-1096	15-31-1096	F	9	Matrix	.90	.42	4.94	4.70	3.75	

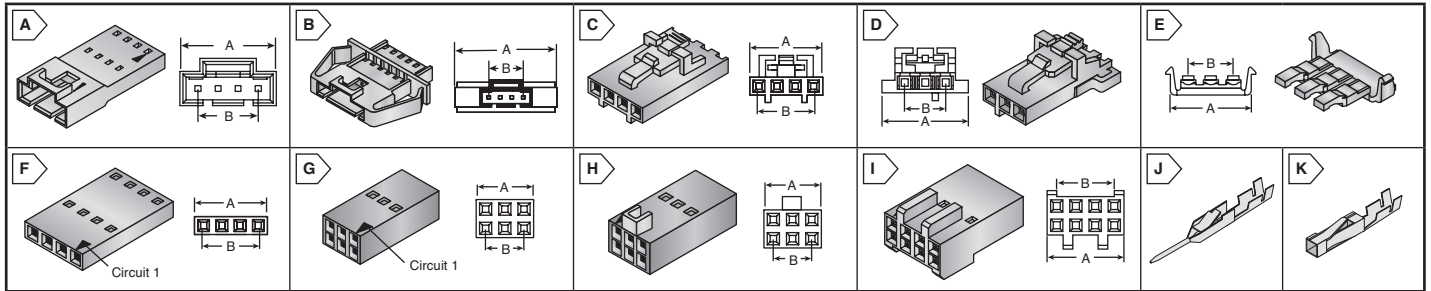
.093" PLUGS



For quantities greater than listed, call for quote.

MOUSER STOCK NO.	Molex Part No.	Fig.	No. of Cir.	Circuit Pattern	Dimensions: in.			Price Each		
					A	B	C	1	10	100
Standard .198" Panel Mount Plugs										
* 538-03-09-2021	03-09-2021	C	2	In-line	1.00	.35	.64	0.34	0.296	0.194
538-03-09-2031	03-09-2031	C	3	In-line	1.00	.34	.77	0.36	0.23	0.193
538-03-09-2041	03-09-2041	C	4	In-line	1.00	.34	.97	0.47	0.23	0.193
538-03-09-2040	03-09-2040	C	4	Matrix	1.02	.54	.54	0.37	0.35	0.334
538-03-09-2061	03-09-2061	C	6	Matrix	1.00	.73	.54	0.55	0.28	0.252
538-03-09-2091	03-09-2091	C	9	Matrix	1.00	.73	.77	0.68	0.34	0.283
538-03-09-2122	03-09-2122	C	12	Matrix	.98	.74	.98	0.74	0.36	0.355
538-03-09-2159	03-09-2159	C	15	Matrix	1.01	.63	1.07	1.56	0.81	0.656
Standard .198" Free-Hanging Plugs										
538-03-09-2011	03-09-2011	C	1	In-line	1.00	.36	-	0.15	0.09	0.08
538-03-09-2022	03-09-2022	C	2	In-line	1.00	.35	.64	0.27	0.217	0.217
538-03-09-2032	03-09-2032	C	3	In-line	1.00	.34	.77	0.41	0.347	0.237
538-03-09-2042	03-09-2042	C	4	In-line	1.00	.34	.97	0.45	0.388	0.271
538-03-09-2049	03-09-2049	C	4	Matrix	1.02	.54	.54	0.33	0.31	0.30
538-03-09-2062	03-09-2062	C	6	Matrix	1.00	.73	.54	0.55	0.429	0.324
538-03-09-2092	03-09-2092	C	9	Matrix	1.00	.73	.77	0.27	0.26	0.248
538-03-09-2121	03-09-2121	C	12	Matrix	.98	.74	.98	0.79	0.644	0.455
.264" Panel Mount Plugs - 94V-0 - 3191 Series										
538-19-09-2017	19-09-2017	D	1	In-line	1.18	.42	.30	0.46	0.409	0.27
538-19-09-2027	19-09-2027	D	2	In-line	1.18	.52	.59	0.87	0.767	0.517
538-19-09-2037	19-09-2037	D	3	In-line	1.18	.52	.85	0.98	0.867	0.573
538-19-09-2047	19-09-2047	D	4	In-line	1.18	.50	1.09	1.03	0.92	0.606
538-19-09-2067	19-09-2067	D	6	Matrix	1.18	.42	.30	1.21	1.05	0.704
538-19-09-2097	19-09-2097	D	9	Matrix	1.18	.52	.59	1.28	1.12	0.747
538-19-09-2127	19-09-2127	D	12	Matrix	1.18	.52	.85	1.37	1.17	0.844
538-19-09-2157	19-09-2157	D	15	Matrix	1.18	.50				

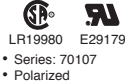
MOLEX 2.54mm / .100" SL™ Connectors



2.54MM (.100") SL™ WIRE TO WIRE CRIMP HOUSINGS

Features:

- Housing: Black glass-filled polyester, UL94V-0
- Mounting ears for insertion into .030" to .090" thick panels
- Locking crown secures positive latch to connector
- Operating Temperature: -40°C to +105°C
- RoHS compliant per Molex documentation



For quantities greater than listed, call for quote.

MOUSER STOCK NO.	Molex Part No.	Fig.	No. of Circuits	Dimensions: in.		Price Each				
				A	B	1	10	100	500	
Single Row, No Mounting Ears										
538-70107-0001	70107-0001	A	2	.280	.100	0,87	0,746	0,583	0,558	
538-70107-0002	70107-0002	A	3	.380	.200	0,54	0,53	0,524	0,513	
538-70107-0003	70107-0003	A	4	.480	.300	0,58	0,57	0,564	0,553	
538-70107-0004	70107-0004	A	5	.580	.400	0,96	0,93	0,909	0,882	
538-70107-0005	70107-0005	A	6	.680	.500	1,71	1,36	1,13	0,91	
538-70107-0006	70107-0006	A	7	.780	.600	1,73	1,37	1,14	0,921	
538-70107-0007	70107-0007	A	8	.880	.700	1,42	1,35	1,28	1,22	
538-70107-0008	70107-0008	A	9	.980	.800	1,81	1,45	1,18	0,964	
538-70107-0011	70107-0011	A	12	1.280	1.100	1,90	1,51	1,27	1,08	
538-70107-0013	70107-0013	A	14	1.480	1.300	1,69	1,47	1,14	0,996	
Single Row, Mounting Ears										
538-70107-0036	70107-0036	B	2	.650	.100	1,46	1,24	1,08	0,92	
538-70107-0037	70107-0037	B	3	.750	.200	1,07	1,05	1,05	0,931	
538-70107-0038	70107-0038	B	4	.850	.300	1,28	1,07	0,985	0,898	
538-70107-0039	70107-0039	B	5	.950	.400	1,14	0,971	0,888	0,801	
538-70107-0040	70107-0040	B	6	1.050	.500	2,01	1,60	1,34	1,07	

2.54MM (.100") SL™ CRIMP HOUSINGS

- Housing: Black glass-filled polyester, UL 94V-0
- TPA: White glass-filled polyester, UL94V-0
- Positive Latch: Secures connectors to locking crown of mating connector
- TPA Piece: Eliminates terminal blackout when TPA is locked into place
- Non-polarized: End to end and side to side stackable



- Operating Temperature: -40°C to 105°C
- Series 70066 and 73838
- RoHS compliant per Molex documentation

For quantities greater than listed, call for quote.

MOUSER STOCK NO.	Molex Part No.	Fig.	No. of Circuits	Dimensions: in.		Price Each				
				A	B	1	10	100	500	
Single Row, Positive Latch										
538-50-57-9402	50-57-9402	C	2	.199	.100	0,30	0,235	0,215	0,194	
538-50-57-9403	50-57-9403	C	3	.299	.200	0,30	0,301	0,301	0,301	
538-50-57-9404	50-57-9404	C	4	.399	.300	0,30	0,224	0,194	0,186	
538-50-57-9405	50-57-9405	C	5	.499	.400	0,28	0,26	0,253	0,246	
538-50-57-9406	50-57-9406	C	6	.599	.500	0,61	0,50	0,394	0,348	
538-50-57-9407	50-57-9407	C	7	.699	.600	0,74	0,586	0,492	0,393	
538-50-57-9408	50-57-9408	C	8	.799	.700	0,43	0,42	0,414	0,405	
538-50-57-9409	50-57-9409	C	9	.899	.800	0,90	0,705	0,599	0,479	
538-50-57-9410	50-57-9410	C	10	.999	.900	0,76	0,60	0,50	0,40	
538-50-57-9411	50-57-9411	C	11	1.099	1.000	1,01	0,797	0,67	0,54	
538-50-57-9412	50-57-9412	C	12	1.199	1.100	0,72	0,571	0,478	0,385	
538-50-57-9414	50-57-9414	C	14	1.399	1.300	1,28	1,09	0,91	0,726	
538-50-57-9416	50-57-9416	C	16	1.599	1.500	1,34	1,20	0,996	0,803	
Single Row TPA, Positive Latch										
538-50-57-9702	50-57-9702	D	2	.197	.100	0,43	0,388	0,368	0,335	
538-50-57-9703	50-57-9703	D	3	.297	.200	0,51	0,439	0,389	0,346	
538-50-57-9704	50-57-9704	D	4	.397	.300	0,48	0,45	0,422	0,401	
538-50-57-9705	50-57-9705	D	5	.497	.400	0,77	0,685	0,628	0,563	
538-50-57-9706	50-57-9706	D	6	.597	.500	0,73	0,501	0,498	0,455	
538-50-57-9707	50-57-9707	D	7	.697	.600	0,73	0,511	0,47	0,457	
538-50-57-9708	50-57-9708	D	8	.797	.700	0,76	0,654	0,585	0,546	
TPA (Terminal Position Assurance) Piece										
538-73838-0002	73838-0002	E	2	.259	.100	0,18	0,153	0,151	0,14	
538-73838-0003	73838-0003	E	3	.359	.200	0,20	0,194	0,184	0,173	
538-73838-0004	73838-0004	E	4	.459	.300	0,27	0,256	0,238	0,227	
538-73838-0005	73838-0005	E	5	.559	.400	0,24	0,225	0,216	0,205	
538-73838-0006	73838-0006	E	6	.659	.500	0,29	0,266	0,261	0,248	
538-73838-0007	73838-0007	E	7	.759	.600	0,38	0,347	0,324	0,311	
538-73838-0008	73838-0008	E	8	.859	.700	0,35	0,327	0,323	0,311	
Single Row, Non-Polarized										
538-50-57-9002	50-57-9002	F	2	.199	.100	0,28	0,27	0,261	0,256	
538-50-57-9003	50-57-9003	F	3	.299	.200	0,62	0,542	0,368	0,368	
538-50-57-9004	50-57-9004	F	4	.399	.300	0,85	0,604	0,404	0,325	
538-50-57-9005	50-57-9005	F	5	.499	.400	0,73	0,641	0,427	0,341	
538-50-57-9006	50-57-9006	F	6	.599	.500	0,88	0,777	0,524	0,425	
538-50-57-9007	50-57-9007	F	7	.699	.600	0,95	0,828	0,556	0,444	
538-50-57-9008	50-57-9008	F	8	.799	.700	1,00	0,869	0,585	0,465	
538-50-57-9009	50-57-9009	F	9	.899	.800	1,06	0,94	0,632	0,498	
538-50-57-9010	50-57-9010	F	10	.999	.900	0,98	0,92	0,66	0,53	

2.54MM (.100") SL™ CRIMP HOUSINGS (CONT.)

Features:

- Housing: Black glass-filled polyester, UL94V-0
- Non-Polarized: End to end and side to side stackable
- Polarized: Mates with dual low profile shrouded headers
- Operating Temperature: -40°C to +105°C
- Series 70450
- RoHS compliant per Molex documentation



For quantities greater than listed, call for quote.

MOUSER STOCK NO.	Molex Part No.	Fig.	No. of Circuits	Dimensions: in.		Price Each				
				A	B	1	10	100	500	
Dual Row, Non-Polarized										
538-22-55-2041	22-55-2041	G	4	.199	.100	2,40	2,12	1,40	1,14	
538-22-55-2061	22-55-2061	G	6	.299	.200	2,06	1,82	1,21	0,964	
538-22-55-2081	22-55-2081	G	8	.399	.300	2,64	2,32	1,54	1,23	
538-22-55-2101	22-55-2101	G	10	.499	.400	1,97	1,62	1,25	1,25	
538-22-55-2121	22-55-2121	G	12	.599	.500	2,87	2,54	1,69	1,35	
538-22-55-2141	22-55-2141	G	14	.699	.600	3,00	2,65	1,76	1,40	
538-22-55-2161	22-55-2161	G	16	.699	.600	3,12	2,70	1,75	1,46	
538-22-55-2181	22-55-2181	G	18	.899	.800	2,98	2,44	1,89	1,51	
538-22-55-2201	22-55-2201	G	20	.999	.900	3,35	2,95	1,96	1,56	
538-22-55-2261	22-55-2261	G	26	1.299	1.200	2,99	2,65	2,26	1,96	
538-22-55-2301	22-55-2301	G	30	1.499	1.400	3,90	3,44	2,29	1,83	
538-22-55-2401	22-55-2401	G	40	1.999	1.900	4,54	4,00	2,66	2,13	
538-22-55-2501	22-55-2501	G	50	2.499	2.400	5,12	4,52	3,00	2,40	
Dual Row, Polarized, Version B										
538-22-55-2062	22-55-2062	H	6	.299	.200	1,90	1,65	1,31	0,91	
538-22-55-2082	22-55-2082	H	8	.399	.300	1,88	1,55	1,24	1,04	
538-22-55-2102	22-55-2102	H	10	.499	.400	1,67	1,36	1,14	0,823	
538-22-55-2122	22-55-2122	H	12	.599	.500	1,86	1,35	1,10	0,857	
538-22-55-2142	22-55-2142	H	14	.699	.600	1,93	1,78	1,53	1,14	
538-22-55-2162	22-55-2162	H	16	.799	.700	2,01	1,84	1,52	1,13	
Dual Row, Polarized, Version F										
538-22-56-6087	22-56-6087	I	8	.399	.300	1,97	1,73	1,55	1,38	
538-22-56-6107	22-56-6107	I	10	.499	.400	2,25	1,96	1,77	1,57	
538-22-56-6127B	22-56-6127	I	12	.599	.500	2,35	2,05	1,85	1,65	
538-22-56-6167	22-56-6167	I	16	.799	.700	2,53	2,22	1,99	1,77	
538-22-56-6207	22-56-6207	I	20	.999	.900	2,73	2,39	2,15	1,91	

CRIMP TERMINALS

- Dual tab strain relief
- Locking tang secures terminal in housing
- Phosphor bronze
- Voltage: 250V
- Current: 3.0A

- Operating Temperature: -40°C to +105°C
- Male use with series 70107
- Female use with series 70066 and 70450
- RoHS compliant per Molex documentation



* High Force

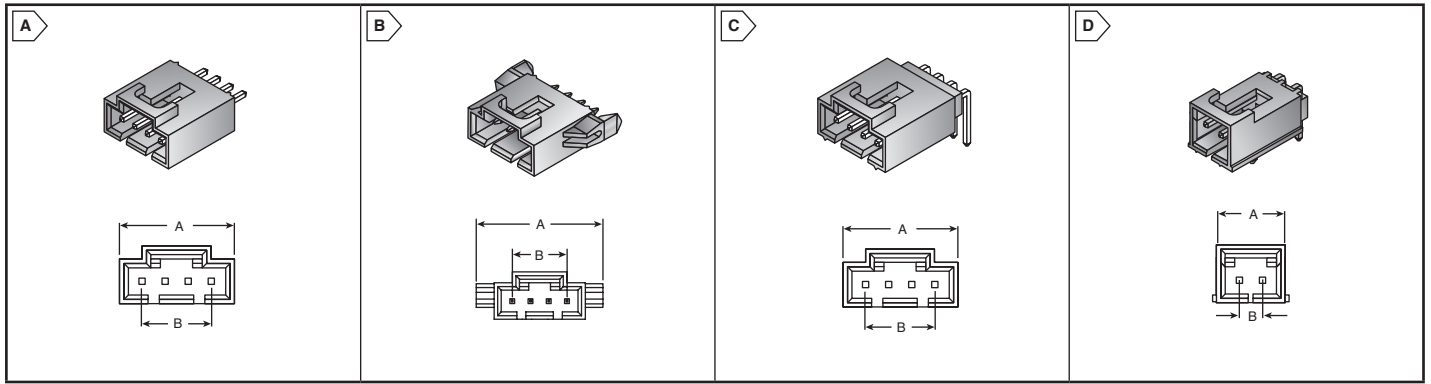
For quantities greater than listed, call for quote.

MOUSER STOCK NO.	Molex Part No.	Fig.	Type	AWG	Plating	Price Each			
						1	100	500	1000
538-16-02-0117	16-02-0117	J	Male	22-24	30µ" Gold	0,20	0,164	0,14	0,117
538-16-02-0110	16-02-0110	J	Male	24-30	30µ" Gold	0,20	0,164	0,142	0,142
538-16-02-0115	16-02-0115	J	Male	22-24	15µ" Gold	0,14	0,125	0,117	0,117
538-16-02-0109	16-02-0109	J	Male	24-30	15µ" Gold	0,19	0,186	0,164	0,164
538-16-02-0114	16-02-0114	J	Male	22-24	150µ" Tin	0,09	0,086		

MOLEX 2.54mm (.100") SL™ Shrouded PCB Headers

molex
one company a world of innovation

 This product is RoHS compliant.



SINGLE ROW, VERTICAL

Specifications:

- Housing: Black glass filled PCT, UL 94V-0
- Contact: Phosphor bronze, .025" square
- Operating Temperature: -40 to +105°C
- Voltage: 250V
- Current: 3.0A
- .120" Pocket



LR19980

E29179

RoHS Compliant

PCB Headers

Features:

- Locking crown secures positive latch to header
- Standoffs minimize flux retention
- Polarization slots guide front ribs of mating connector to prevent pin damage
- Mates with series 70066
- Surface mount compatible
- Wire to board
- RoHS Compliant per Molex documentation

SINGLE ROW, RIGHT ANGLE, LOW PROFILE

Specifications:

- Housing: Black glass filled PCT, UL 94V-0
- Contact: Phosphor bronze, .025" square
- Operating Temperature: -40 to +105°C
- Voltage: 250V
- Current: 3.0A
- .120" Pocket



LR19980

E29179

RoHS Compliant

PCB Headers

Features:

- Locking crown secures positive latch to header
- Polarization slots guide front ribs of mating connector to prevent pin damage
- Standoffs minimize flux retention
- Surface mount compatible
- Housing: Black glass filled PCT, UL 94V-0
- Contact: Phosphor bronze, .025" square
- Mates with series 70066
- Wire to board
- RoHS Compliant per Molex documentation

Molex Rectangular Connectors

For quantities greater than listed, call for quote.

MOUSER STOCK NO.	Molex Part No.	Fig.	No. of Cir.	Contact Plating	Dim. (in.)		Price Each					
					A	B	1	10	100	500		
538-70543-0036	70543-0036	A	2	Tin	.29	.10	1.05	0.869	0.693	0.596		
538-70543-0001	70543-0001	A	2	15µ" Gold	.29	.10	1.08	0.865	0.709	0.636		
538-70543-0106	70543-0106	A	2	30µ" Gold	.29	.10	1.19	1.03	0.877	0.703		
538-70543-0037	70543-0037	A	3	Tin	.40	.20	1.14	0.92	0.682	0.617		
538-70543-0002	70543-0002	A	3	15µ" Gold	.40	.20	0.93	0.748	0.605	0.495		
538-70543-0107	70543-0107	A	3	30µ" Gold	.40	.20	1.45	1.15	0.964	0.774		
538-70543-0038	70543-0038	A	4	Tin	.50	.30	1.13	0.95	0.78	0.628		
538-70543-0003	70543-0003	A	4	15µ" Gold	.50	.30	1.07	0.887	0.735	0.60		
538-70543-0108	70543-0108	A	4	30µ" Gold	.50	.30	1.57	1.32	1.12	0.898		
538-70543-0039	70543-0039	A	5	Tin	.60	.40	1.35	1.07	0.898	0.714		
538-70543-0004	70543-0004	A	5	15µ" Gold	.60	.40	1.23	1.01	0.867	0.68		
538-70543-0109	70543-0109	A	5	30µ" Gold	.60	.40	1.70	1.40	1.24	0.942		
538-70543-0040	70543-0040	A	6	Tin	.70	.50	0.47	0.43	0.404	0.38		
538-70543-0005	70543-0005	A	6	15µ" Gold	.70	.50	1.26	1.05	0.863	0.698		
538-70543-0110	70543-0110	A	6	30µ" Gold	.70	.50	2.04	1.64	1.35	1.07		
538-70543-0006	70543-0006	A	7	15µ" Gold	.80	.60	1.73	1.40	1.18	0.964		
538-70543-0042	70543-0042	A	8	Tin	.90	.70	1.42	1.20	0.975	0.834		
538-70543-0007	70543-0007	A	8	15µ" Gold	.90	.70	2.03	1.61	1.35	1.07		
538-70543-0112	70543-0112	A	8	30µ" Gold	.90	.70	1.76	1.46	1.19	0.942		
538-705430008	70543-0008	A	9	15µ" Gold	1.00	.80	2.15	1.58	1.39	1.14		
538-70543-0044	70543-0044	A	10	Tin	1.10	.90	1.74	1.38	1.15	0.92		
538-705430009	70543-0009	A	10	15µ" Gold	1.10	.90	1.79	1.47	1.23	1.08		
538-70543-0010	70543-0010	A	11	15µ" Gold	1.20	1.00	2.42	1.93	1.59	1.29		
538-70543-0011	70543-0011	A	12	15µ" Gold	1.30	1.10	2.57	2.08	1.84	-		

Headers with Plastic Tri-Peg

Features:

- Locking crown secures positive latch to header
- Standoffs minimize flux retention
- Polarization slots guide front ribs of mating connector to prevent pin damage
- Mates with series 70066
- Surface mount compatible
- Wire to board
- RoHS Compliant per Molex documentation



RoHS Compliant

For quantities greater than listed, call for quote.

MOUSER STOCK NO.	Molex Part No.	Fig.	No. of Cir.	Contact Plating	Dim. (in.)		Price Each					
					A	B	1	10	100	500		
538-70545-0001	70545-0001	B	2	Tin	.488	.10	0.87	0.746	0.714	0.563		
538-70545-0036	70545-0036	B	2	15µ" Gold	.488	.10	0.76	0.654	0.563	0.498		
538-70545-0071	70545-0071	B	2	30µ" Gold	.488	.10	0.99	0.992	0.878	-		
538-70545-0002	70545-0002	B	3	Tin	.588	.20	1.20	0.95	0.79	0.639		
538-70545-0037	70545-0037	B	3	15µ" Gold	.588	.20	1.00	0.858	0.747	0.66		
538-70545-0072	70545-0072	B	3	30µ" Gold	.588	.20	0.87	0.874	0.774	-		
538-70545-0003	70545-0003	B	4	Tin	.69	.30	0.98	0.797	0.714	0.563		
538-70545-0038	70545-0038	B	4	15µ" Gold	.688	.30	1.10	0.95	0.78	0.671		
538-70545-0073	70545-0073	B	4	30µ" Gold	.688	.30	0.87	0.777	0.701	0.665		
538-70545-0039	70545-0039	B	5	15µ" Gold	.788	.40	0.97	0.848	0.78	0.714		
538-70545-0074	70545-0074	B	5	30µ" Gold	.79	.40	1.13	1.07	1.02	0.877		
538-70545-0005	70545-0005	B	6	Tin	.89	.50	1.31	1.03	0.866	0.693		
538-70545-0040	70545-0040	B	6	15µ" Gold	.888	.50	1.05	0.971	0.866	0.747		
538-70545-0075	70545-0075	B	6	30µ" Gold	.888	.50	1.43	1.37	1.28	1.20		
538-70545-0041	70545-0041	B	7	15µ" Gold	.988	.60	1.27	1.10	0.977	-		
538-70545-0042	70545-0042	B	8	15µ" Gold	1.088	.70	1.76	1.53	1.35	1.08		
538-70545-0077	70545-0077	B	8	30µ" Gold	1.09	.70	1.34	1.19	1.09	1.03		
538-70545-0043	70545-0043	B	9	15µ" Gold	1.19	.80	1.72	1.40	1.21	1.04		
538-70545-0044	70545-0044	B	10	15µ" Gold	1.288	.90	1.69	1.38	1.13	1.04		
538-70545-0079	70545-0079	B	10	30µ" Gold	1.288	.90	1.92	1.84	1.70	1.52		
538-70545-0046	70545-0046	B	12	15µ" Gold	1.488	1.10	1.75	1.42	1.30	1.23		

For quantities greater than listed, call for quote.

MOUSER STOCK NO.	Molex Part No.	Fig.	No. of Cir.	Contact Plating	Dim. (in.)		Price Each					
					A	B	1	10	100	500		
538-70555-0001	70555-0001	D	2	Tin	.336	.10	1.10	0.807	0.714	0.653		
538-70555-0036	70555-0036	D	2	15µ" Gold	.336	.10	1.23	0.981	0.873	0.66		
538-70555-0071	70555-0071	D	2	30µ" Gold	.336	.10	0.95	0.848	0.783	0.701		
538-70555-0002	70555-0002	D	3	Tin	.436	.20	0.95	0.838	0.747	0.639		
538-70555-0037	70555-0037	D	3	15µ" Gold	.436	.20	1.00	0.797	0.714	0.65		
538-70555-0072	70555-0072	D	3	30µ" Gold	.436	.20	0.78	0.654	0.584	0.549		
538-70555-0003	70555-0003	D	4	Tin	.536	.30	1.06	0.91	0.812	0.682		
538-70555-0038	70555-0038	D	4	15µ" Gold	.536	.30	1.12	-	-	-		
538-70555-0073	70555-0073	D	4	30µ" Gold	.536	.30	0.99	0.874	-	-		
538-70555-0004	70555-0004	D	5	Tin	.64	.40	1.11	0.93	0.855	0.714		
538-70555-0039	70555-0039	D	5	15µ" Gold	.636	.40	1.10	0.981	0.877	0.855		
538-70555-0074	70555-0074	D	5	30µ" Gold	.636	.40	1.40	1.30	1.21	1.07		
538-70555-0005	70555-0005	D	6	Tin	.736	.50	1.37	1.14	0.953	0.758		
538-70555-0040	70555-0040	D	6	15µ" Gold	.736	.50	1.59	1.35	1.12	0.962		
538-70555-0075	70555-0075	D	6	30µ" Gold	.74	.50	1.58	1.28	1.13	1.03		
538-70555-0041	70555-0041	D	7	15µ" Gold	.836	.60	1.78	1.51	1.23	1.01		
538-70555-0042	70555-0042	D	8	15µ" Gold	.936	.70	1.85	1.55	1.25	1.07		
538-70555-0077	70555-0077	D	8	30µ" Gold	.94	.70	1.82	1.48	1.32	1.20		

MOLEX C-Grid® Series Dual-Row Breakaway Headers (.100") molex

one company a world of innovation



This product is RoHS compliant.

.100" (2.54MM) C-GRID® BREAKAWAY HEADERS

Specifications:

- Current: 3.0A
- Voltage: 250V
- Withstanding Voltage: 1500V
- Insulation Resistance: 1000MΩ min.
- Housing: Thermoplastic, High Temperature UL 94V-0
- Contact: Phosphor Bronze
- Operating temperature: -40°C to +105°C

Features:

- Stackable side-to-side and end-to-end (on unbroken edges)
- Easy breakaway to smaller sizes
- Drawn .025" square wire provides 4-sided smooth surface for quality interface
- Mates with SL crimp and IDT housings
- RoHS Compliant per Molex documentation

Vertical Headers

For quantities greater than listed, call for quote.

MOUSER STOCK NO.	Molex Part No.	Fig.	No. of Circuits	Dimensions (in.)		Price Each			
				A	B	1	10	100	500
Tin Plating									
538-10-89-7041	10-89-7041	A	4	0.19	0.10	0,54	0,451	0,379	0,305
538-10-89-7061	10-89-7061	A	6	0.29	0.20	0,50	0,401	0,341	0,304
538-10-89-7081	10-89-7081	A	8	0.39	0.30	0,51	0,417	0,367	0,325
538-10-89-7101	10-89-7101	A	10	0.49	0.40	0,68	0,536	0,378	0,354
538-10-89-7121	10-89-7121	A	12	0.59	0.50	0,84	0,679	0,496	0,376
538-10-89-7141	10-89-7141	A	14	0.69	0.60	0,85	0,741	0,528	0,428
538-10-89-7161	10-89-7161	A	16	0.79	0.70	1,96	1,96	1,96	1,96
538-10-89-7181	10-89-7181	A	18	0.89	0.80	0,97	0,858	0,801	0,726
538-10-89-7201	10-89-7201	A	20	0.99	0.90	0,87	0,682	0,633	0,587
538-10-89-7301	10-89-7301	A	30	1.49	1.40	1,97	1,66	1,29	1,03
538-10-89-7801	10-89-7801	A	80	3.99	3.90	6,06	5,30	4,15	2,89
538-70280-0448	70280-0448	A	100	4.99	4.90	5,24	4,62	3,08	2,45
15µ" Selective Gold Plating									
538-10-89-7042	10-89-7042	A	4	0.19	0.10	0,44	0,368	0,335	0,271
538-10-89-7062	10-89-7062	A	6	0.29	0.20	0,61	0,521	0,422	0,346
538-10-89-7082	10-89-7082	A	8	0.39	0.30	0,75	0,644	0,573	0,573
538-10-89-7102	10-89-7102	A	10	0.49	0.40	1,10	0,899	0,782	0,782
538-10-89-7122	10-89-7122	A	12	0.59	0.50	1,25	1,06	0,954	0,954
538-10-89-7142	10-89-7142	A	14	0.69	0.60	1,30	1,14	0,834	0,628
538-10-89-7162	10-89-7162	A	16	0.79	0.70	1,74	1,54	1,01	0,811
538-10-89-7182	10-89-7182	A	18	0.89	0.80	1,28	1,13	1,03	0,888
538-10-89-7202	10-89-7202	A	20	0.99	0.90	2,03	1,70	1,24	0,993
538-10-89-7242	10-89-7242	A	24	1.19	1.10	2,49	2,21	1,47	1,03
538-10-89-7262	10-89-7262	A	26	1.29	1.20	2,27	2,03	1,43	1,17
538-10-89-7302	10-89-7302	A	30	1.49	1.40	2,95	2,60	1,79	1,40
538-10-89-7342	10-89-7342	A	34	1.69	1.60	3,45	3,05	2,02	1,62
538-10-89-7402	10-89-7402	A	40	1.99	1.90	4,02	3,49	2,36	1,88
538-10-89-7802	10-89-7802	A	80	3.99	3.90	7,81	6,90	4,59	3,67
538-70280-0458	70280-0458	A	100	4.99	4.90	8,65	7,32	5,33	4,26

SMT Headers

For quantities greater than listed, call for quote.

MOUSER STOCK NO.	Molex Part No.	Fig.	No. of Circuits	Dimensions (in.)		Price Each			
				A	B	1	10	100	500
Tin Plating									
538-15-91-2040	15-91-2040	B	4	0.20	0.10	0,25	0,211	0,193	0,175
538-15-91-2060	15-91-2060	B	6	0.30	0.20	0,73	0,634	0,422	0,335
538-15-91-2080	15-91-2080	B	8	0.40	0.30	0,98	0,848	0,573	0,455
538-15-91-2100	15-91-2100	B	10	0.50	0.40	1,09	0,756	0,606	0,498
538-15-91-2120	15-91-2120	B	12	0.60	0.50	0,79	0,613	0,574	0,524
538-15-91-2140	15-91-2140	B	14	0.70	0.60	1,53	1,35	0,898	0,714
538-15-91-2160	15-91-2160	B	16	0.80	0.70	1,74	1,53	1,02	0,823
538-15-91-2200	15-91-2200	B	20	1.00	0.90	2,12	1,86	1,23	0,996
15µ" Selective Gold Plating									
538-15-91-0060	15-91-0060	B	6	0.30	0.20	0,71	0,712	0,712	0,712
538-15-91-0080	15-91-0080	B	8	0.40	0.30	0,96	0,836	0,56	0,447
538-15-91-0100	15-91-0100	B	10	0.50	0.40	1,06	0,885	0,622	0,492
538-15-91-0120	15-91-0120	B	12	0.60	0.50	1,40	1,24	1,07	0,961
538-15-91-0140	15-91-0140	B	14	0.70	0.60	1,11	1,02	0,828	0,715
538-15-91-0160	15-91-0160	B	16	0.80	0.70	1,90	1,61	1,15	0,931
538-15-91-0180	15-91-0180	B	18	0.90	0.80	2,21	1,94	1,30	1,03
538-15-91-0200	15-91-0200	B	20	1.00	0.90	2,40	2,12	1,41	1,12

Right Angle Headers

For quantities greater than listed, call for quote.

MOUSER STOCK NO.	Molex Part No.	Fig.	No. of Circuits	Dimensions (in.)		Price Each			
				A	B	1	10	100	500
Tin									
538-71764-0008	71764-0008	C	8	0.39	0.30	0,71	0,62	0,414	0,333
538-71764-0010	71764-0010	C	10	0.48	0.40	0,99	0,869	0,585	0,473
538-71764-0012	71764-0012	C	12	0.59	0.50	1,07	0,935	0,63	0,506
538-71764-0014	71764-0014	C	14	0.69	0.60	1,32	1,15	0,769	0,703
538-71764-0016	71764-0016	C	16	0.79	0.70	1,47	1,30	0,866	0,693
538-71764-0020	71764-0020	C	20	0.99	0.90	1,73	1,51	1,03	0,834
538-71764-0030	71764-0030	C	30	1.49	1.40	3,16	2,94	2,06	1,65
15µ" Selective Gold Plating									
538-71764-0106	71764-0106	C	6	0.29	0.20	0,71	0,553	0,465	0,374
538-71764-0108	71764-0108	C	8	0.39	0.30	0,85	0,778	0,539	0,48
538-71764-0110	71764-0110	C	10	0.48	0.40	1,10	0,963	0,833	0,702
538-71764-0114	71764-0114	C	14	0.69	0.60	2,11	2,00	1,75	1,39
538-71764-0120	71764-0120	C	20	0.99	0.90	2,30	2,02	1,76	1,62
538-71764-0130	71764-0130	C	30	1.49	1.40	9,28	8,81	8,37	7,95

Shunt / Jumpers

For quantities greater than listed, call for quote.

MOUSER STOCK NO.	Molex Part No.	Fig.	Description	Plating	Price Each			
					1	10	100	500
538-15-29-1024	15-29-1024	D	Open Top	15µ" Gold	0,29	0,261	0,261	0,261
538-15-29-1026	15-29-1026	D	Open Top	30µ" Gold	0,29	0,256	0,227	0,205
538-15-38-1024	15-38-1024	D	Open Top	150µ" Tin	0,19	0,18	0,171	0,162
538-15-29-1025	15-29-1025	D	Closed Top	15µ" Gold	0,20	0,19	0,18	0,171
538-15-29-1027	15-29-1027	D	Closed Top	30µ" Gold	0,29	0,256	0,227	0,205
538-15-38-1026	15-38-1026	D	Closed Top	150µ" Tin	0,27	0,26	0,24	0,235

DIMENSIONS: in.

A

RoHS Compliant

B

RoHS Compliant

C

RoHS Compliant

D

RoHS Compliant

Rectangular Connectors

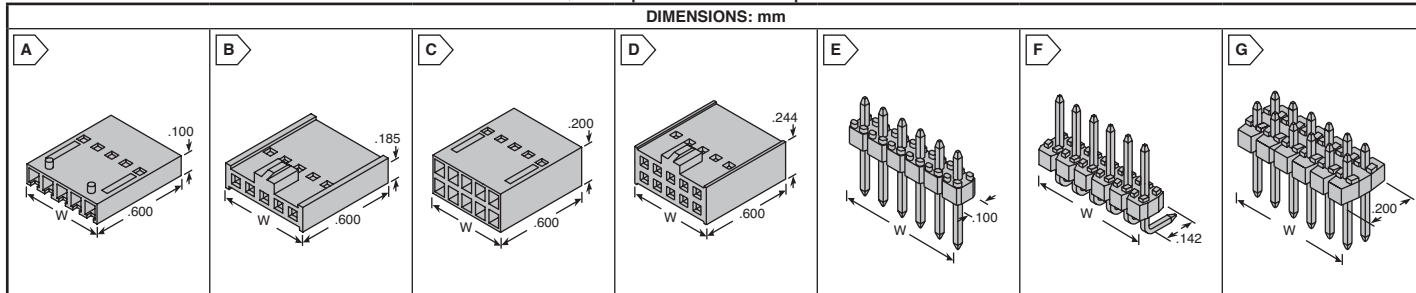
Molex

MOLEX 2.54mm (.100") C-Grid® III™ Connectors

molex
one company > a world of innovation

RoHS Compliant This product is RoHS compliant.

DIMENSIONS: mm



MODULAR CRIMP HOUSINGS

C-Grid® III™ Series does NOT mate to C-Grid®.

For quantities greater than listed, call for quote.

MOUSER STOCK NO.	Molex Part No.	Fig.	No. of Circuits	Width (W): mm	Price Each			
					1	10	100	500
Single Row - 2 Polarizing Buttons								
538-90123-0102	90123-0102	A	2	0.200	0,20	0,17	0,162	0,145
538-90123-0103	90123-0103	A	3	0.300	0,29	0,24	0,17	0,14
538-90123-0104	90123-0104	A	4	0.400	0,38	0,32	0,156	0,14
538-90123-0105	90123-0105	A	5	0.500	0,60	0,531	0,347	0,276
538-90123-0106	90123-0106	A	6	0.600	0,66	0,51	0,225	0,202
538-90123-0107	90123-0107	A	7	0.700	0,46	0,406	0,272	0,22
538-90123-0108	90123-0108	A	8	0.800	2,02	1,78	1,18	0,942
538-90123-0109	90123-0109	A	9	0.900	1,04	0,925	0,612	0,492
538-90123-0110	90123-0110	A	10	1.000	0,69	0,65	0,593	0,568
538-90123-0112	90123-0112	A	12	1.200	0,89	0,789	0,52	0,413
538-90123-0113	90123-0113	A	13	1.300	1,67	1,52	1,00	0,945
538-90123-0115	90123-0115	A	15	1.500	1,32	1,12	0,776	0,701
538-90123-0118	90123-0118	A	18	1.800	1,04	0,83	0,574	0,516
538-90123-0119	90123-0119	A	19	1.900	1,71	1,52	1,01	0,803
538-90123-0124	90123-0124	A	24	2.400	2,07	1,90	1,26	1,01
538-90123-0125	90123-0125	A	25	2.500	2,75	2,35	1,62	1,25
Single Row								
538-90156-0142	90156-0142	B	2	0.242	0,18	0,157	0,105	0,087
538-90156-0143	90156-0143	B	3	0.342	0,17	0,13	0,092	0,082
538-90156-0144	90156-0144	B	4	0.442	0,38	0,33	0,156	0,14
538-90156-0145	90156-0145	B	5	0.542	0,57	0,501	0,327	0,266
538-90156-0146	90156-0146	B	6	0.642	0,56	0,32	0,212	0,19
538-90156-0147	90156-0147	B	7	0.742	0,79	0,695	0,46	0,368
538-90156-0148	90156-0148	B	8	0.842	0,43	0,31	0,28	0,25
538-90156-0149	90156-0149	B	9	0.942	1,05	0,92	0,606	0,486
538-90156-0150	90156-0150	B	10	1.042	0,90	0,51	0,346	0,311
538-90156-0152	90156-0152	B	12	1.242	0,60	0,42	0,37	0,347
538-90156-0153	90156-0153	B	13	1.342	1,01	0,825	0,652	0,61
538-90156-0154	90156-0154	B	14	1.442	1,19	1,04	0,699	0,556
538-90156-0155	90156-0155	B	15	1.542	0,87	0,61	0,499	0,449
538-90156-0156	90156-0156	B	16	1.642	1,74	1,53	1,04	0,818
538-90156-0158	90156-0158	B	18	1.842	2,29	2,04	1,33	1,07
538-90156-0160	90156-0160	B	20	2.042	1,18	1,09	0,818	0,715
538-90156-0162	90156-0162	B	22	2.242	1,53	1,43	0,971	0,779
538-90156-0165	90156-0165	B	25	2.542	3,20	2,93	1,97	1,52
Dual Row With Out Polarizing Buttons								
538-90143-0004	90143-0004	C	4	0.200	0,43	0,378	0,258	0,203
538-90143-0006	90143-0006	C	6	0.300	0,90	0,805	0,536	0,429
538-90143-0008	90143-0008	C	8	0.400	0,88	0,792	0,524	0,426
538-90143-0010	90143-0010	C	10	0.500	1,05	0,93	0,613	0,491
538-90143-0012	90143-0012	C	12	0.600	1,32	1,15	0,778	0,613
538-90143-0014	90143-0014	C	14	0.700	0,53	0,491	0,47	0,439
538-90143-0016	90143-0016	C	16	0.800	1,62	1,08	0,869	0,715
538-90143-0018	90143-0018	C	18	0.900	1,78	1,53	1,09	0,875
538-90143-0020	90143-0020	C	20	1.000	0,61	0,603	0,593	0,583
538-90143-0026	90143-0026	C	26	1.300	2,89	2,61	1,78	1,48
538-90143-0034	90143-0034	C	34	1.700	2,67	2,35	1,56	1,25
538-90143-0036	90143-0036	C	36	1.800	2,78	2,51	1,66	1,33
538-90143-0040	90143-0040	C	40	2.000	4,89	4,31	2,87	2,29
538-90143-0050	90143-0050	C	50	2.500	6,09	5,40	3,57	2,86
538-90143-0060	90143-0060	C	60	3.000	6,11	5,36	3,58	2,85
538-90143-0064	90143-0064	C	64	3.200	22,49	19,83	13,20	10,57
Dual Row								
538-90142-0006	90142-0006	D	6	0.300	0,50	0,32	0,264	0,231
538-90142-0008	90142-0008	D	8	0.400	0,67	0,43	0,29	0,261
538-90142-0010	90142-0010	D	10	0.500	0,83	0,55	0,419	0,391
538-90142-0012	90142-0012	D	12	0.600	0,69	0,58	0,471	0,433
538-90142-0014	90142-0014	D	14	0.700	0,73	0,63	0,471	0,456
538-90142-0016	90142-0016	D	16	0.800	0,86	0,66	0,59	0,553
538-90142-0018	90142-0018	D	18	0.900	0,91	0,72	0,539	0,485
538-90142-0020	90142-0020	D	20	1.000	0,79	0,71	0,621	0,586
538-90142-0022	90142-0022	D	22	1.100	1,14	0,60	0,53	0,49
538-90142-0024	90142-0024	D	24	1.200	1,42	0,72	0,661	0,638
538-90142-0026	90142-0026	D	26	1.300	1,42	0,85	0,777	0,684
538-90142-0030	90142-0030	D	30	1.500	1,65	1,29	0,868	0,781
538-90142-0034	90142-0034	D	34	1.700	3,05	2,68	1,79	1,43
538-90142-0036	90142-0036	D	36	1.800	2,82	2,45	1,99	1,58
538-90142-0038	90142-0038	D	38	1.900	1,10	1,10	1,10	0,977
538-90142-0040	90142-0040	D	40	2.000	3,81	3,36	2,24	1,79
538-90142-0044	90142-0044	D	44	2.200	4,52	3,97	2,65	2,13
538-90142-0050	90142-0050	D	50	2.500	4,24	3,43	2,85	2,28

FEMALE TERMINALS

For quantities greater than listed, call for quote.

MOUSER STOCK NO.	Molex Part No.	Fig.	Plating	AWG	Price Each			
					1	10	100	500
538-90119-2109	90119-2109	-	Tin	22-24	0,16	0,143	0,103	0,117
538-90119-2120	90119-2120	-	Tin	26-28	0,16	0,133	0,123	0,098
538-90119-2110	90119-2110	-	Gold	22-24	0,30	0,266	0,215	0,169
538-90119-2121	90119-2121	-	Gold	26-28	0,29	0,235	0,204	0,168

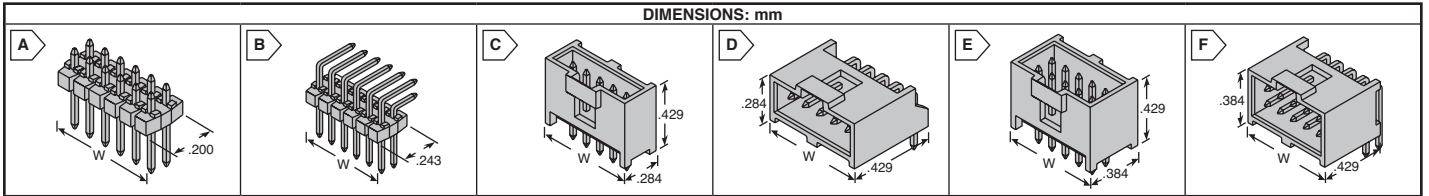
HEADERS

For quantities greater than listed, call for quote.

MOUSER STOCK NO.	Molex Part No.	Fig.	No. of Circuits	Width (W): mm	Price Each			
					1	10	100	500
Single Row - Vertical - Tin								
538-90120-0122	90120-0122	E	2	0.200	0,23	0,194	0,13	0,097
538-90120-0123	90120-0123	E	3	0.300	0,24	0,192	0,138	0,107
538-90120-0124	90120-0124	E	4	0.400	0,41	0,356	0,237	0,188
538-90120-0125	90120-0125	E	5	0.500	0,37	0,315	0,211	0,169
538-90120-0126	90120-0126	E	6	0.600	0,48	0,416	0,277	0,224
538-90120-0127	90120-0127	E	7	0.700	0,63	0,552	0,368	0,297
538-90120-0128	90120-0128	E	8	0.800	0,88	0,777	0,52	0,411
538-90120-0129	90120-0129	E	9	0.900	0,99	0,877	0,59	0,469
538-90120-0130	90120-0130	E	10	1.000	0,78	0,679	0,453	0,363
538-90120-0131	90120-0131	E	11	1.100	0,85	0,745	0,503	0,392
538-90120-0132	90120-0132	E	12	1.200	0,83	0,739	0,529	0,313
538-90120-0160	90120-0160	E	40	4.000	4,32	3,81	2,53	2,03
Single Row - Vertical - Gold								
538-90120-0762	90120-0762	E	2	0.200	0,16	0,147	0,133	0,105
538-90120-0763	90120-0763	E	3	0.300	0,38	0,33	0,215	0,177
538-90120-0764	90120-0764	E	4	0.400	0,44	0,416	0,292	0,231
538-90120-0765	90120-0765	E	5	0.500	0,61	0,556	0,399	0,315
538-90120-0766	90120-0766	E	6	0.600	0,92	0,818	0,579	0,47
538-90120-0767	90120-0767	E	7	0.700	1,10	0,993	0,666	0,513
538-90120-0768	90120-0768	E	8	0.800	1,57	1,38	0,915	0,735
538-90120-0769	90120-0769	E	9	0.900	1,59	1,42	0,94	0,754
538-90120-0770	90120-0770	E	10	1.000	1,95	1,73	1,14	0,915
538-90120-0771	90120-0771	E	11	1.100	1,95	1,72	1,13	0,919
538-90120-0772	90120-0772	E	12	1.200	2,35	2,05	1,37	1,019
538-90120-0800	90120-0800	E	40	4.000	4,69	4,03	2,85	2,28
Single Row - Right Angle - Tin								
538-90121-0122	90121-0122	F	2	0.200	0,15	0,145	0,106	0,083
538-90121-0123	90121-0123	F	3	0.300	0,35	0,307	0,204	0,164
538-90121-0124	90121-0124	F	4	0.400	0,33	0,286	0,235	0,197
538-90121-0125	90121-0125	F	5	0.500	0,52	0,46	0,31	0,244
538-90121-0126	90121-0126	F	6					

MOLEX 2.54mm (.100") C-Grid® III™ Connectors

molex
one company a world of innovation



HEADERS (CONT.)

C-Grid® III™ Series does NOT mate to C-Grid®.

For quantities greater than listed, call for quote.

MOUSER STOCK NO.	Molex Part No.	Fig.	No. of Circuits	Width (W): mm	Price Each			
					1	10	100	500
Dual Row - Vertical - Tin (Cont.)								
538-90131-0135	90131-0135	A	30	1.500	3,85	3,39	2,25	1,80
538-90131-0140	90131-0140	A	40	2.000	3,27	2,88	1,92	1,53
538-90131-0145	90131-0145	A	50	2.500	3,06	2,71	1,80	1,43
538-90131-0150	90131-0150	A	60	3.000	7,73	6,82	4,54	3,64
538-90131-0160	90131-0160	A	80	4.000	5,88	4,82	4,18	3,35
Dual Row - Vertical - Gold								
538-90131-0762	90131-0762	A	4	0.200	0,88	0,784	0,509	0,418
538-90131-0763	90131-0763	A	6	0.300	0,81	0,739	0,613	0,514
538-90131-0764	90131-0764	A	8	0.400	1,48	1,31	0,873	0,70
538-90131-0765	90131-0765	A	10	0.500	1,86	1,64	1,08	0,865
538-90131-0766	90131-0766	A	12	0.600	2,03	1,86	1,29	1,02
538-90131-0767	90131-0767	A	14	0.700	2,58	2,26	1,50	1,20
538-90131-0768	90131-0768	A	16	0.800	0,81	0,69	0,66	0,65
538-90131-0769	90131-0769	A	18	0.900	3,77	3,04	2,63	2,10
538-90131-0770	90131-0770	A	20	1.000	4,08	3,60	2,39	1,91
538-90131-0771	90131-0771	A	22	1.100	2,23	2,20	1,70	1,35
538-90131-0772	90131-0772	A	24	1.200	5,41	4,75	3,16	2,52
538-90131-0773	90131-0773	A	26	1.300	5,29	4,67	3,11	2,48
538-90131-0774	90131-0774	A	28	1.400	4,01	3,53	2,35	1,87
538-90131-0775	90131-0775	A	30	1.500	6,77	5,96	3,98	3,18
538-90131-0780	90131-0780	A	40	2.000	8,08	7,12	4,75	3,79
538-90131-0785	90131-0785	A	50	2.500	6,52	5,74	3,82	3,07
538-90131-0790	90131-0790	A	60	3.000	5,95	5,19	4,32	3,94
538-90131-0796	90131-0796	A	72	3.600	5,08	5,04	4,82	3,77
538-90131-0800	90131-0800	A	80	4.000	9,54	7,69	6,66	5,33
Dual Row - Right Angle - Tin								
538-90122-0122	90122-0122	B	4	0.200	0,78	0,683	0,459	0,369
538-90122-0123	90122-0123	B	6	0.300	1,21	1,05	0,711	0,569
538-90122-0124	90122-0124	B	8	0.400	1,25	1,12	0,755	0,602
538-90122-0125	90122-0125	B	10	0.500	1,19	1,06	0,71	0,573
538-90122-0126	90122-0126	B	12	0.600	1,68	1,48	0,99	0,798
538-90122-0127	90122-0127	B	14	0.700	2,11	1,85	1,23	0,988
538-90122-0128	90122-0128	B	16	0.800	2,07	1,84	1,23	0,981
538-90122-0129	90122-0129	B	18	0.900	2,29	2,02	1,35	1,06
538-90122-0130	90122-0130	B	20	1.000	2,48	2,19	1,45	1,15
538-90122-0132	90122-0132	B	24	1.200	2,16	1,91	1,26	1,00
538-90122-0133	90122-0133	B	26	1.300	3,19	2,80	1,88	1,48
538-90122-0135	90122-0135	B	30	1.500	2,10	2,05	1,59	1,27
538-90122-0137	90122-0137	B	34	1.700	3,08	2,71	1,81	1,44
538-90122-0138	90122-0138	B	36	1.800	2,26	2,06	1,66	1,65
538-90122-0140	90122-0140	B	40	2.000	3,72	3,28	2,19	1,74
538-90122-0142	90122-0142	B	44	2.200	3,47	3,25	2,16	1,72
538-90122-0145	90122-0145	B	50	2.500	5,19	4,57	3,05	2,43
538-90122-0160	90122-0160	B	80	4.000	9,09	8,86	5,62	4,47
Dual Row - Right Angle - Gold								
538-90122-0762	90122-0762	B	4	0.200	0,79	0,685	0,466	0,373
538-90122-0763	90122-0763	B	6	0.300	1,78	1,56	1,03	0,842
538-90122-0764	90122-0764	B	8	0.400	2,46	2,17	1,44	1,14
538-90122-0765	90122-0765	B	10	0.500	2,56	2,24	1,49	1,19
538-90122-0766	90122-0766	B	12	0.600	3,91	3,43	2,29	2,03
538-90122-0767	90122-0767	B	14	0.700	3,21	2,82	1,88	1,49
538-90122-0768	90122-0768	B	16	0.800	3,65	3,27	2,17	1,73
538-90122-0769	90122-0769	B	18	0.900	2,68	2,35	1,62	1,49
538-90122-0770	90122-0770	B	20	1.000	4,46	3,92	2,61	2,08
538-90122-0772	90122-0772	B	24	1.200	3,11	2,60	2,16	1,74
538-90122-0773	90122-0773	B	26	1.300	5,73	5,05	3,36	2,69
538-90122-0775	90122-0775	B	30	1.500	6,47	5,92	3,98	3,15
538-90122-0780	90122-0780	B	40	2.000	5,95	5,25	3,50	2,79
538-90122-0790	90122-0790	B	60	3.000	9,98	8,85	7,27	5,88
538-90122-0800	90122-0800	B	80	4.000	10,93	8,78	7,60	6,08
Shrouded - Single Row - Vertical - Tin								
538-90136-1102	90136-1102	C	2	0.332	0,53	0,446	0,315	0,253
538-90136-1103	90136-1103	C	3	0.432	1,14	1,00	0,664	0,537
538-90136-1104	90136-1104	C	4	0.532	0,86	0,747	0,493	0,40
538-90136-1105	90136-1105	C	5	0.632	0,86	0,746	0,501	0,401
538-90136-1106	90136-1106	C	6	0.732	0,90	0,795	0,54	0,43
538-90136-1108	90136-1108	C	8	0.932	0,91	0,827	0,588	0,467
538-90136-1109	90136-1109	C	9	1.032	1,02	0,814	0,529	0,673
538-90136-1110	90136-1110	C	10	1.132	1,09	0,938	0,635	0,567
Shrouded - Single Row - Vertical - Gold								
538-90136-1202	90136-1202	C	2	0.332	0,71	0,643	0,509	0,411
538-90136-1203	90136-1203	C	3	0.432	1,39	1,11	0,869	0,693
538-90136-1204	90136-1204	C	4	0.532	1,15	0,951	0,734	0,584
538-90136-1205	90136-1205	C	5	0.632	1,15	1,02	0,699	0,561
538-90136-1206	90136-1206	C	6	0.732	1,24	1,09	0,722	0,576
538-90136-1207	90136-1207	C	7	0.832	1,81	1,59	1,05	0,854
538-90136-1208	90136-1208	C	8	0.932	1,82	1,65	1,17	0,929
538-90136-1209	90136-1209	C	9	1.032	2,11	1,85	1,24	0,989

HEADERS (CONT.)

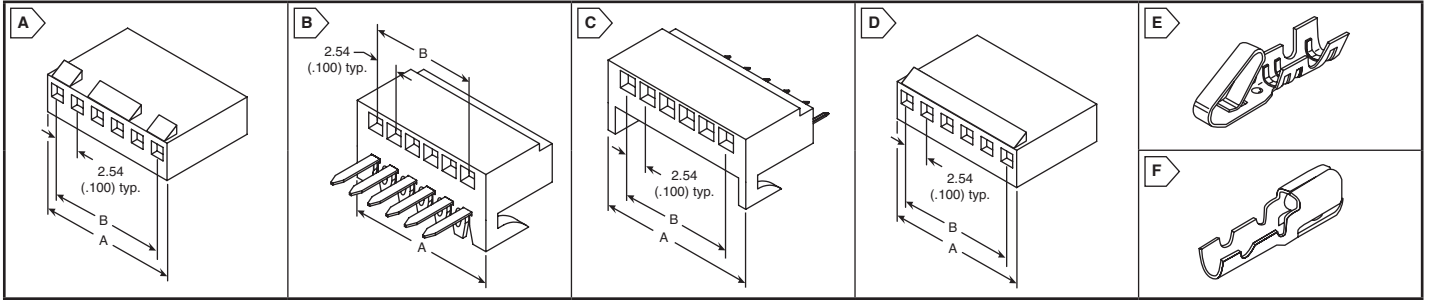
C-Grid® III™ Series does NOT mate to C-Grid®.

For quantities greater than listed, call for quote.

MOUSER STOCK NO.	Molex Part No.	Fig.	No. of Circuits	Width (W): mm	Price Each			
					1	10	100	500
Shrouded - Single Row - Vertical - Gold (Cont.)								
538-90136-1210	90136-1210	C	10	1.132	1,22	1,09	0,928	0,74
538-90136-1212	90136-1212	C	12	1.332	3,29	2,90	1,93	1,54
Shrouded - Single Row - Right Angle - Tin								
538-90136-2102	90136-2102	D	2	0.332	0,64	0,568	0,376	0,30
538-90136-2103	90136-2103	D	3	0.432	0,87	0,773	0,548	0,44
538-90136-2104	90136-2104	D	4	0.532	0,81	0,743	0,521	0,445
538-90136-2105	90136-2105	D	5	0.632	1,04	0,907	0,606	0,482
538-90136-2106	90136-2106	D	6	0.732	1,18	1,01	0,69	0,552
538-90136-2107	90136-2107	D	7	0.832	0,66	0,584	0,392	0,316
538-90136-2108	90136-2108	D	8	0.932	1,72	1,51	1,00	0,805
538-90136-2109	90136-2109	D	9	1.032	0,70	0,658	0,658	0,583
538-90136-2110	90136-2110	D	10	1.132	0,71	0,643	0,429	0,344
538-90136-2112	90136-2112	D	12	1.332	1,18	1,09	0,901	0,722
Shrouded - Single Row - Right Angle - Gold								
538-90136-2202	90136-2202	D	2	0.332	0,96	0,851	0,564	0,447
538-90136-2203	90136-2203	D	3	0.432	1,25	1,09	0,757	0,603
538-90136-2204	90136-2204	D	4	0.532	1,05	0,975	0,684	0,543
538-90136-2205	90136-2205	D	5	0.632	1,05	0,836	0,758	0,649
538-90136-2206	90136-2206	D	6	0.732	1,37	1,20	0,794	0,637
538-90136-2207	90136-2207	D	7	0.832	1,90	1,72	1,32	1,05
538-90136-2208	90136-2208	D	8	0.932	3,15	2,81	1,88	1,50
538-90136-2209	90136-2209	D	9	1.032	1,89	1,70	1,32	1,04
538-90136-2210	90136-2210	D	10	1.132	2,04	1,84	1,34	1,07
Shrouded - Dual Row - Vertical - Tin - Fully Loaded								
538-90130-1106	90130-1106	E	6	0.392	1,68	1,47	0,978	0,789
538-90130-1108	90130-1108	E	8	0.492	1,91	1,68	1,11	0,897
538-90130-1110	90130-1110	E	10	0.592	1,78	1,60	1,18	0,94
538-90130-1112	90130-1112	E	12	0.692	2,18	1,96	1,32	1,05
538-90130-1114	90130-1114	E	14	0.792	2,40	2,17	1,46	1,17
538-90130-1116	90130-1116	E	16	0.892	1,20	1,05	0,91	0,715
538-90130-1118	90130-1118	E	18	0.992	2,17	1,96	1,77	1,69
538-90130-1120	90130-1120	E	20	1.092	3,90	3,53	2,45	1,95
538-90130-1124	90130-1124	E	24	1.292	3,16	2,85	1,94	1,54
538-90130-1126	90130-1126							

MOLEX KK® Series (.100")

Products may be RoHS compliant. Check mouser.com for RoHS status.



.100" CRIMP TERMINAL HOUSINGS

- Housing: Nylon, UL94V-0
- Current: Phosphor Bronze-4.0A max; Brass-2.5A max.
- Voltage: 250V
- RoHS Compliant per Molex documentation

For quantities greater than listed, call for quote.

MOUSER STOCK NO.	Molex Part No.	Fig.	No. of Circuits	Dimensions: mm		Price Each			
				A	B	1	10	100	500
With Locking Ramp									
538-22-01-2027	22-01-2027	A	2	5.6	2.54	0,13	0,107	0,074	0,065
538-22-01-2037	22-01-2037	A	3	8.1	5.08	0,22	0,177	0,12	0,10
538-22-01-2047	22-01-2047	A	4	10.7	7.62	0,20	0,10	0,096	0,092
538-22-01-2057	22-01-2057	A	5	13.2	10.16	0,35	0,307	0,211	0,169
538-22-01-2067	22-01-2067	A	6	15.8	12.70	0,42	0,368	0,248	0,20
538-22-01-2077	22-01-2077	A	7	18.3	15.24	0,49	0,429	0,294	0,234
538-22-01-2087	22-01-2087	A	8	20.9	17.78	0,57	0,501	0,338	0,271
538-22-01-2097	22-01-2097	A	9	23.4	20.32	0,63	0,562	0,378	0,301
538-22-01-2107	22-01-2107	A	10	25.9	22.86	0,71	0,623	0,422	0,337
538-22-01-2117	22-01-2117	A	11	28.5	25.40	0,79	0,685	0,461	0,369
538-22-01-2127	22-01-2127	A	12	31.0	27.94	0,67	0,61	0,582	0,553
With Locking Ramp and Polarizing Ribs									
538-22-01-3027	22-01-3027	A	2	5.6	2.54	0,19	0,146	0,099	0,094
538-22-01-3037	22-01-3037	A	3	8.1	5.08	0,27	0,225	0,145	0,126
538-22-01-3047	22-01-3047	A	4	10.7	7.62	0,18	0,17	0,153	0,15
538-22-01-3057	22-01-3057	A	5	13.2	10.16	0,37	0,242	0,203	0,201
538-22-01-3067	22-01-3067	A	6	15.8	12.70	0,52	0,437	0,296	0,236
538-22-01-3077	22-01-3077	A	7	18.3	15.24	0,34	0,33	0,323	0,313
538-22-01-3087	22-01-3087	A	8	20.9	17.78	0,64	0,572	0,382	0,305
538-22-01-3097	22-01-3097	A	9	23.4	20.32	0,74	0,634	0,431	0,344
538-22-01-3107	22-01-3107	A	10	25.9	22.86	0,43	0,41	0,395	0,375
538-22-01-3117	22-01-3117	A	11	28.5	25.40	0,89	0,746	0,529	0,423
538-22-01-3127	22-01-3127	A	12	31.0	27.94	0,58	0,56	0,547	0,531

.100" PCB RECEPTACLES

- UL94V-0
- End-to-End stackable
- Contact: Brass
- Voltage: 250V
- Temperature: 0 to +75°C
- Current: 2.5A max.

For quantities greater than listed, call for quote.

Tin Plating - Bottom Entry									
MOUSER STOCK NO.	Molex Part No.	Fig.	No. of Circuits	A	B	1	10	100	500
538-22-14-2024	22-14-2024	B	2	4.98	2.54	0,35	0,307	0,208	0,167
538-22-14-2034	22-14-2034	B	3	7.52	5.08	0,47	0,409	0,277	0,222
538-22-14-2044	22-14-2044	B	4	10.06	7.62	0,71	0,623	0,419	0,334
538-22-14-2054	22-14-2054	B	5	12.60	10.16	0,88	0,777	0,519	0,416
538-22-14-2064	22-14-2064	B	6	15.14	12.70	1,06	0,94	0,628	0,498
538-22-14-2074	22-14-2074	B	7	17.68	15.24	1,24	1,09	0,726	0,573
538-22-14-2084	22-14-2084	B	8	20.22	17.78	1,27	1,11	0,747	0,71
538-22-14-2094	22-14-2094	B	9	22.76	20.32	1,59	1,40	0,931	0,797
538-22-14-2104	22-14-2104	B	10	25.30	22.86	1,58	1,39	0,931	0,747
538-22-14-2124	22-14-2124	B	12	30.38	27.94	1,90	1,68	1,11	0,888
Tin Plating - Top Entry									
538-22-02-2025	22-02-2025	C	2	4.98	2.54	0,30	0,256	0,177	0,141
538-22-02-2035	22-02-2035	C	3	7.52	5.08	0,45	0,388	0,264	0,211
538-22-02-2045	22-02-2045	C	4	10.06	7.62	0,60	0,521	0,355	0,283
538-22-02-2055	22-02-2055	C	5	12.60	10.16	0,76	0,654	0,443	0,354
538-22-02-2065	22-02-2065	C	6	15.14	12.70	0,91	0,777	0,53	0,422
538-22-02-2075	22-02-2075	C	7	17.68	15.24	1,10	0,971	0,671	0,53
538-22-02-2085	22-02-2085	C	8	20.22	17.78	1,21	1,05	0,703	0,563
538-22-02-2095	22-02-2095	C	9	22.76	20.32	1,28	1,11	0,79	0,639
538-22-02-2105	22-02-2105	C	10	25.30	22.86	1,51	1,33	0,888	0,704
538-22-02-2125	22-02-2125	C	12	30.38	27.94	1,82	1,53	1,05	0,844
Gold Plating - Bottom Entry									
538-22-17-3022	22-17-3022	B	2	4.98	2.54	0,44	0,388	0,26	0,207
538-22-17-3032	22-17-3032	B	3	7.52	5.08	0,65	0,572	0,387	0,31
538-22-17-3042	22-17-3042	B	4	10.06	7.62	0,88	0,777	0,519	0,416
538-22-17-3052	22-17-3052	B	5	12.60	10.16	1,10	0,961	0,639	0,518
538-22-17-3072	22-17-3072	B	7	17.68	15.24	1,53	1,34	0,899	0,719
538-22-17-3082	22-17-3082	B	8	20.22	17.78	1,77	1,35	1,03	0,823
538-22-17-3092	22-17-3092	B	9	22.76	20.32	1,30	1,06	0,971	0,864
Gold Plating - Top Entry									
538-22-18-2021	22-18-2021	C	2	4.98	2.54	0,38	0,296	0,223	0,179
538-22-18-2031	22-18-2031	C	3	7.52	5.08	0,56	0,491	0,332	0,266
538-22-18-2041	22-18-2041	C	4	10.06	7.62	0,76	0,654	0,443	0,354
538-22-18-2061	22-18-2061	C	6	15.14	12.70	1,13	0,991	0,66	0,53
538-22-18-2081	22-18-2081	C	8	20.22	17.78	1,50	1,32	0,877	0,704
538-22-18-2091	22-18-2091	C	9	22.76	20.32	1,69	1,48	0,985	0,79
538-22-18-2101	22-18-2101	C	10	25.30	22.86	1,88	1,66	1,10	0,877
538-22-18-2111	22-18-2111	C	11	27.84	25.40	1,33	1,05	0,964	0,879
538-22-18-2121	22-18-2121	C	12	30.38	27.94	2,25	1,97	1,32	1,05

.100" HIGH PRESSURE / VIBRATION TERMINAL HOUSINGS W/ LOCKING RAMP

- Housing: Red Nylon. UL 94-0
- Current: 2.5A
- RoHS Compliant per Molex documentation
- Voltage: 250V

For quantities greater than listed, call for quote.

MOUSER STOCK NO.	Molex Part No.	Fig.	No. of Circuits	Dimensions: mm		Price Each			
				A	B	1	10	100	500
538-10-11-2023	10-11-2023	D	2	5.64	2.54	0,14	0,102	0,092	0,078
538-10-11-2033	10-11-2033	D	3	8.18	5.08	0,24	0,194	0,137	0,117
538-10-11-2043	10-11-2043	D	4	10.72	7.62	0,16	0,15	0,148	0,144
538-10-11-2053	10-11-2053	D	5	13.26	10.16	0,40	0,337	0,235	0,199
538-10-11-2063	10-11-2063	D	6	15.80	12.70	0,47	0,409	0,28	0,224
538-10-11-2073	10-11-2073	D	7	18.34	15.24	0,55	0,48	0,325	0,261
538-10-11-2083	10-11-2083	D	8	20.88	17.78	0,30	0,28	0,275	0,261
538-10-11-2093	10-11-2093	D	9	23.42	20.32	0,71	0,623	0,411	0,334
538-10-11-2103	10-11-2103	D	10	25.96	22.86	0,80	0,695	0,465	0,368
538-10-11-2113	10-11-2113	D	11	28.50	25.40	0,87	0,767	0,515	0,411
538-10-11-2123	10-11-2123	D	12	31.04	27.94	0,95	0,828	0,552	0,45

.100" CRIMP TERMINALS

- Wire gauge: 22-30 AWG
- For use with Fig. A
- RoHS Compliant per Molex documentation

Select Gold (Au) is gold
* only on the mating area

For quantities greater than listed, call for quote.

MOUSER STOCK NO.	Molex Part No.	Fig.	Contact	Plating	Price Each		
					1	100	500
538-08-50-0114	08-50-0114	E	Brass	Tin	0,08	0,07	0,066
538-08-56-0110	08-56-0110	E	Brass	Gold	0,86	0,705	0,59
538-08-55-0102	08-55-0102	E	Brass	*Select Gold	0,20	0,176	0,149
538-08-52-0123	08-52-0123	E	Phos. Bronze	Tin	0,10	0,095	0,084
538-08-65-0814	08-65-0814	E	Phos. Bronze	Gold	0,96	0,767	0,643
538-08-65-0816	08-65-0816	E	Phos. Bronze	*Select Gold	0,18	0,182	0,182

.100" HIGH PRESSURE CRIMP TERMINALS

- Wire gauge: 22-30 AWG
- RoHS Compliant per Molex documentation
- High vibration applications.
- For use with Fig. D

Select Gold (Au) is gold
* only on the mating area

For quantities greater than listed, call for quote.

MOUSER STOCK NO.	Molex Part No.	Fig.	Contact	Plating	Price Each		
					1	100	500
538-08-50-0005	08-50-0005	F	Brass	Tin/Copper	0,20	0,16	0,136
538-08-55-0129	08-55-0129	F	Brass	*Select Gold	0,56	0,439	0,377

POLARIZING KEYS

- UL94V-2, Nylon
- Snap fit into housings
- RoHS Compliant per Molex documentation

For quantities greater than listed, call for quote.

MOUSER STOCK NO.	Molex Part No.	Description	Price Each		
			1	100	500
538-15-04-9209	15-04-9209	Key	1,14	1,04	0,992

DESIGNER/SERVICE KIT

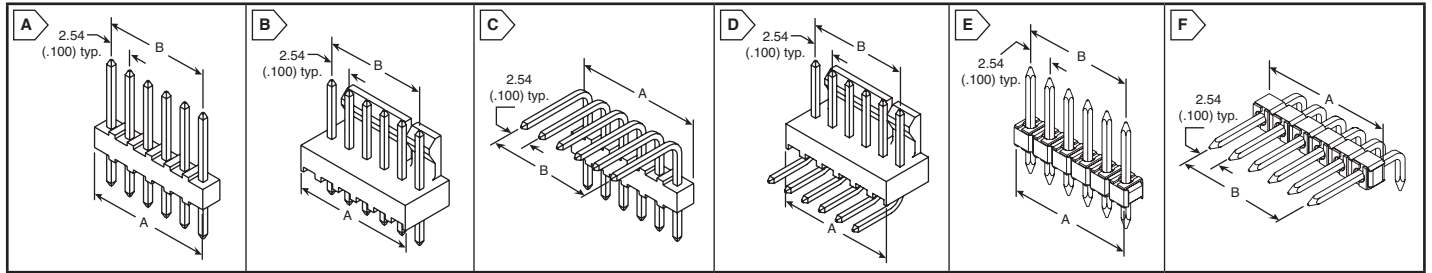
- Includes: connectors, crimp tool, extraction tool, & storage case

MOUSER STOCK NO.	Molex Part No.	Description	Price Each
538-KK-100	KK-100	.100", 82 connectors	25,75

TOOLS

MOUSER STOCK NO.	Molex Part No.	Description	Price Each
538-63811-8200	63811-8200	Hand Crimp Tool	366,90
538-11-03-0022	11-03-0022	Extraction tool	6,92
538-63819-0800	63819-0800	Hand Crimp Tool	317,84
538-63812-0000	63812-0000	Insertion tool	

MOLEX KK® Series Headers (.100")



.100" PCB HEADERS

• Contact: Brass, 0.64mm (.025") square pins • UL94V-0, White Nylon • Voltage: 250V • Current: 4.0A • RoHS compliant per Molex documentation



RoHS Compliant

For quantities greater than listed, call for quote.

MOUSER STOCK NO.	Molex Part No.	Fig.	No. of Circuits	Dimensions: mm		Price Each				
				A	B	1	10	100	500	
Vertical, Tin Plating										
538-22-03-2021	22-03-2021	A	2	4.83	2.54	0,23	0,227	-	-	-
538-22-03-2031	22-03-2031	A	3	7.37	5.08	0,30	0,272	-	0,241	-
538-22-03-2041	22-03-2041	A	4	9.91	7.62	0,35	0,331	-	0,294	-
538-22-03-2051	22-03-2051	A	5	12.45	10.16	0,53	0,491	0,335	0,281	-
538-22-03-2061	22-03-2061	A	6	14.99	12.7	0,59	0,49	0,419	0,371	-
538-22-03-2071	22-03-2071	A	7	17.53	15.24	0,86	0,685	0,498	0,401	-
538-22-03-2081	22-03-2081	A	8	20.07	17.78	0,86	0,756	0,527	0,527	-
538-22-03-2091	22-03-2091	A	9	22.61	20.32	0,97	0,787	0,542	0,455	-
538-22-03-2101	22-03-2101	A	10	25.15	22.86	0,98	0,848	0,573	0,535	-
538-22-03-2111	22-03-2111	A	11	27.69	25.4	1,08	0,869	0,679	0,601	-
538-22-03-2121	22-03-2121	A	12	30.23	27.94	0,88	0,807	0,726	0,552	-
Vertical, Gold Plating										
538-22-10-2021	22-10-2021	A	2	4.83	2.54	0,62	0,521	0,427	-	-
538-22-10-2031	22-10-2031	A	3	7.37	5.08	0,66	0,569	0,504	-	-
538-22-10-2041	22-10-2041	A	4	9.91	7.62	1,21	1,06	0,714	0,563	-
538-22-10-2051	22-10-2051	A	5	12.45	10.16	1,51	1,33	0,888	0,714	-
538-22-10-2061	22-10-2061	A	6	14.99	12.7	1,77	1,55	1,03	0,844	-
538-22-10-2071	22-10-2071	A	7	17.53	15.24	2,02	1,77	1,18	0,942	-
538-22-10-2081	22-10-2081	A	8	20.07	17.78	2,23	1,95	1,31	1,08	-
538-22-10-2091	22-10-2091	A	9	22.61	20.32	2,61	2,29	1,52	1,27	-
538-22-10-2101	22-10-2101	A	10	25.15	22.86	2,89	2,54	1,70	1,35	-
538-22-10-2111	22-10-2111	A	11	27.69	25.4	2,38	1,86	1,51	1,38	-
538-22-10-2121	22-10-2121	A	12	30.23	27.94	3,47	3,06	2,03	1,61	-
Vertical Friction Lock, Tin Plating										
538-22-23-2021	22-23-2021	B	2	5.08	2.54	0,25	0,201	0,138	-	-
538-22-23-2031	22-23-2031	B	3	7.62	5.08	0,30	0,26	0,171	0,147	-
538-22-23-2041	22-23-2041	B	4	10.16	7.62	0,35	0,309	0,203	0,179	-
538-22-23-2051	22-23-2051	B	5	12.7	10.16	0,45	0,375	0,249	0,202	-
538-22-23-2061	22-23-2061	B	6	15.24	12.7	0,53	0,427	0,288	0,226	-
538-22-23-2071	22-23-2071	B	7	17.78	15.24	0,68	0,578	0,386	0,311	-
538-22-23-2081	22-23-2081	B	8	20.32	17.78	0,65	0,542	0,358	0,283	-
538-22-23-2091	22-23-2091	B	9	22.86	20.32	0,87	0,756	0,499	0,405	-
538-22-23-2101	22-23-2101	B	10	25.4	22.86	0,77	0,657	0,443	0,352	-
538-22-23-2111	22-23-2111	B	11	27.94	25.4	1,10	0,961	0,639	0,509	-
538-22-23-2121	22-23-2121	B	12	30.48	27.94	1,04	0,916	0,613	0,491	-
Vertical Friction Lock, Gold Plating										
538-22-11-2022	22-11-2022	B	2	5.08	2.54	0,70	0,586	0,374	0,327	-
538-22-11-2032	22-11-2032	B	3	7.62	5.08	0,71	0,65	0,62	0,589	-
538-22-11-2042	22-11-2042	B	4	10.16	7.62	0,87	0,744	0,522	0,411	-
538-22-11-2052	22-11-2052	B	5	12.7	10.16	1,39	1,17	0,838	0,748	-
538-22-11-2062	22-11-2062	B	6	15.24	12.7	1,32	1,11	0,808	0,78	-
538-22-11-2072	22-11-2072	B	7	17.78	15.24	2,06	1,82	1,21	0,975	-
538-22-11-2082	22-11-2082	B	8	20.32	17.78	1,49	1,31	0,993	-	-
538-22-11-2092	22-11-2092	B	9	22.86	20.32	2,43	2,14	1,42	1,13	-
538-22-11-2102	22-11-2102	B	10	25.4	22.86	2,71	2,38	1,57	1,27	-
538-22-11-2112	22-11-2112	B	11	27.94	25.4	2,97	2,62	1,74	1,39	-
538-22-11-2122	22-11-2122	B	12	30.48	27.94	3,25	2,85	1,90	1,52	-

For quantities greater than listed, call for quote.

MOUSER STOCK NO.	Molex Part No.	Fig.	No. of Circuits	Dimensions: mm		Price Each				
				A	B	1	10	100	500	
Right Angle, Tin Plating										
538-22-05-2021	22-05-2021	C	2	4.83	2.54	0,30	0,264	-	-	-
538-22-05-2031	22-05-2031	C	3	7.37	5.08	0,44	0,443	-	-	-
538-22-05-2041	22-05-2041	C	4	9.91	7.62	0,41	0,347	0,303	0,238	-
538-22-05-2051	22-05-2051	C	5	12.45	10.16	0,56	0,559	0,559	0,495	-
538-22-05-2061	22-05-2061	C	6	14.99	12.7	0,79	0,685	0,625	0,553	-
538-22-05-2071	22-05-2071	C	7	17.53	15.24	0,92	0,777	0,701	0,-	-
538-22-05-2081	22-05-2081	C	8	20.07	17.78	1,05	0,93	0,754	0,667	-
538-22-05-2091	22-05-2091	C	9	22.61	20.32	1,07	0,971	0,721	0,721	-
538-22-05-2101	22-05-2101	C	10	25.15	22.86	1,18	1,05	0,756	0,756	-
538-22-05-2111	22-05-2111	C	11	27.69	25.4	1,32	1,17	0,78	0,617	-
538-22-05-2121	22-05-2121	C	12	30.23	27.94	1,19	1,04	0,989	-	-
Right Angle, Gold Plating										
538-22-12-2021	22-12-2021	C	2	4.83	2.54	0,61	0,562	0,368	0,292	-
538-22-12-2031	22-12-2031	C	3	7.37	5.08	0,81	0,685	0,542	0,433	-
538-22-12-2041	22-12-2041	C	4	9.91	7.62	1,20	1,05	0,704	0,563	-
538-22-12-2051	22-12-2051	C	5	12.45	10.16	1,50	1,28	0,877	0,703	-
538-22-12-2061	22-12-2061	C	6	14.99	12.7	1,81	1,58	1,05	0,844	-
538-22-12-2071	22-12-2071	C	7	17.53	15.24	2,11	1,86	1,23	0,985	-
538-22-12-2081	22-12-2081	C	8	20.07	17.78	2,38	2,12	1,41	1,12	-
538-22-12-2101	22-12-2101	C	10	25.15	22.86	3,00	2,65	1,76	1,40	-
538-22-12-2121	22-12-2121	C	12	30.23	27.94	3,22	2,84	1,89	1,51	-
Right Angle Friction Lock, Tin Plating										
538-22-05-3021	22-05-3021	D	2	5.08	2.54	0,46	0,368	0,326	0,326	-
538-22-05-3031	22-05-3031	D	3	7.62	5.08	0,51	0,472	0,42	0,372	-
538-22-05-3041	22-05-3041	D	4	10.16	7.62	0,71	0,633	0,432	0,418	-
538-22-05-3051	22-05-3051	D	5	12.7	10.16	0,86	0,791	0,527	0,515	-
538-22-05-3061	22-05-3061	D	6	15.24	12.7	1,07	0,94	0,66	0,53	-
538-22-05-3071	22-05-3071	D	7	17.78	15.24	1,34	1,18	0,79	0,628	-
538-22-05-3081	22-05-3081	D	8	20.32	17.78	1,10	1,04	0,811	0,639	-
538-22-05-3091	22-05-3091	D	9	22.86	20.32	1,46	1,28	0,855	0,682	-
538-22-05-3101	22-05-3101	D	10	25.4	22.86	1,25	1,17	0,866	0,736	-
538-22-05-3111	22-05-3111	D	11	27.94	25.4	1,39	1,24	0,953	0,757	-
538-22-05-3121	22-05-3121	D	12	30.48	27.94	1,55	1,46	0,975	0,78	-
Right Angle Friction Lock, Gold Plating										
538-22-12-2024	22-12-2024	D	2	5.08	2.54	1,18	1,03	0,567	0,567	-
538-22-12-2034	22-12-2034	D	3	7.62	5.08	1,30	1,14	0,822	0,728	-
538-22-12-2044	22-12-2044	D	4	10.16	7.62	1,69	1,53	1,12	0,898	-
538-22-12-2054	22-12-2054	D	5	12.7	10.16	2,15	1,89	1,25	1,01	-
538-22-12-2064	22-12-2064	D	6	15.24	12.7	2,22	2,06	1,37	1,09	-
538-22-12-2074	22-12-2074	D	7	17.78	15.24	2,96	1,88	1,49	1,19	-
538-22-12-2084	22-12-2084	D	8	20.32	17.78	1,66	1,33	1,55	1,24	-
538-22-12-2094	22-12-2094	D	9	22.86	20.32	2,93	2,44	1,75	1,40	-
538-22-12-2104	22-12-2104	D	10	25.4	22.86	3,33	2,93	1,95	1,55	-
538-22-12-2114	22-12-2114	D	11	27.94	25.4	3,47	3,10	2,15	1,72	-
538-22-12-2124	22-12-2124	D	12	30.48	27.94	4,01	3,53	2,35	1,77	-

Rectangular Connectors Molex

.100" BREAKAWAY HEADERS - PCB

• Voltage: 250V • Current: 4.0A • RoHS compliant per Molex documentation

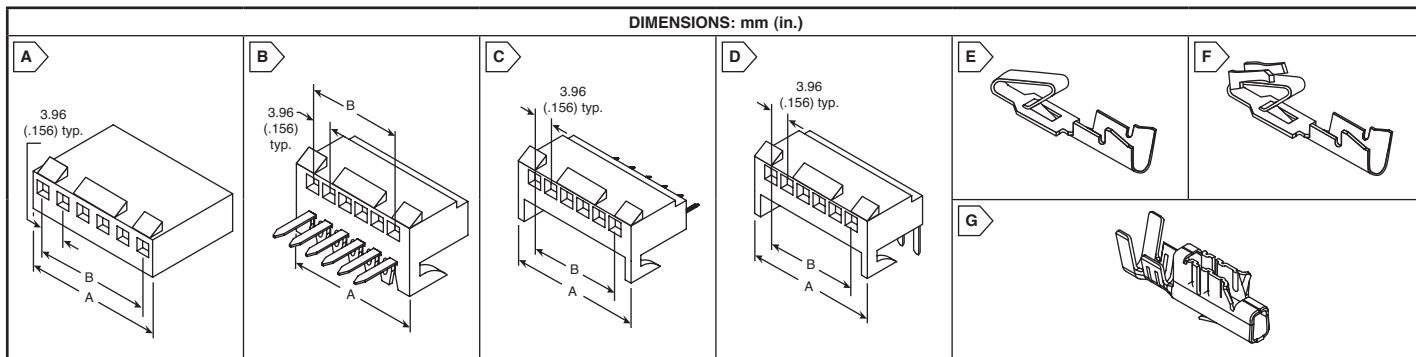


RoHS Compliant

For quantities greater than listed, call for quote.

For quantities greater than listed, call for quote.

MOUSER STOCK NO.	Molex Part No.	Fig.	No. of Circuits	Dimensions: mm		Price Each			
				A	B	1	10	100	500
Vertical, Tin Plating									



.156" CRIMP TERMINAL HOUSINGS

- Voltage: 250V AC Max.
- Temperature: 0 to +75°C
- Current: Phosphor Bronze-7.0A max.; Brass-5.0A max.
- RoHS compliant per Molex documentation

For quantities greater than listed, call for quote.

MOUSER STOCK NO.	Molex Part No.	Fig.	No. of Circuits	Dimensions: mm		Price Each			
				A	B	1	10	100	500
With Locking Ramp UL94V-2, Nylon									
538-09-50-3021	09-50-3021	A	2	7.92	3.96	0,15	0,123	0,097	0,078
538-09-50-3031	09-50-3031	A	3	11.79	7.92	0,14	0,135	0,131	0,099
538-09-50-3041	09-50-3041	A	4	15.75	11.89	0,30	0,242	0,177	0,143
538-09-50-3051	09-50-3051	A	5	19.71	15.85	0,18	0,17	0,163	0,158
538-09-50-3061	09-50-3061	A	6	23.67	19.81	0,43	0,374	0,254	0,205
538-09-50-3071	09-50-3071	A	7	27.64	23.77	0,49	0,46	0,343	0,275
538-09-50-3081	09-50-3081	A	8	31.60	27.74	0,36	0,34	0,33	0,314
538-09-50-3091	09-50-3091	A	9	35.56	31.70	0,75	0,654	0,442	0,353
538-09-50-3101	09-50-3101	A	10	39.52	35.66	0,56	0,53	0,505	0,48
538-09-50-3111	09-50-3111	A	11	43.48	39.62	0,63	0,60	0,574	0,545
538-09-50-3121	09-50-3121	A	12	47.45	43.59	0,69	0,65	0,624	0,592
Without Locking Ramp UL94V-2, Nylon									
538-09-50-7021	09-50-7021	A	2	7.92	3.96	0,14	0,123	0,086	0,068
538-09-50-7031	09-50-7031	A	3	11.79	7.92	0,13	0,12	0,112	0,106
538-09-50-7041	09-50-7041	A	4	15.75	11.89	0,30	0,256	0,175	0,139
538-09-50-7051	09-50-7051	A	5	19.71	15.85	0,32	0,31	0,295	0,281
538-09-50-7061	09-50-7061	A	6	23.67	19.81	0,44	0,388	0,263	0,21
538-09-50-7071	09-50-7071	A	7	27.64	23.77	0,51	0,45	0,303	0,238
538-09-50-7081	09-50-7081	A	8	31.60	27.74	0,59	0,511	0,346	0,271
538-09-50-7091	09-50-7091	A	9	35.56	31.70	0,66	0,583	0,389	0,314
538-09-50-7111	09-50-7111	A	11	43.48	39.62	0,82	0,705	0,476	0,379



RoHS Compliant

For quantities greater than listed, call for quote.

MOUSER STOCK NO.	Molex Part No.	Fig.	No. of Circuits	Dimensions: mm		Price Each			
				A	B	1	10	100	500
With Locking Ramp and Polarizing Ribs UL94V-0, Polyester									
538-09-50-8023	09-50-8023	A	2	8.79	3.96	0,19	0,153	0,108	0,09
538-09-50-8033	09-50-8033	A	3	12.75	7.92	0,16	0,15	0,148	0,144
538-09-50-8043	09-50-8043	A	4	16.71	11.89	0,21	0,19	0,183	0,179
538-09-50-8053	09-50-8053	A	5	20.67	15.85	0,35	0,33	0,321	0,305
538-09-50-8063	09-50-8063	A	6	24.64	19.81	0,57	0,501	0,338	0,27
538-09-50-8073	09-50-8073	A	7	28.60	23.77	0,49	0,47	0,45	0,427
538-09-50-8083	09-50-8083	A	8	32.56	27.74	0,76	0,654	0,444	0,357
538-09-50-8093	09-50-8093	A	9	36.53	31.70	0,85	0,756	0,498	0,401
538-09-50-8103	09-50-8103	A	10	40.49	35.66	0,95	0,828	0,552	0,494
538-09-50-8113	09-50-8113	A	11	44.45	39.62	1,04	0,92	0,617	0,487
538-09-50-8123	09-50-8123	A	12	48.41	43.59	1,04	0,99	0,643	0,485
With Locking Ramp UL94V-0, Polyester									
538-09-50-8021	09-50-8021	A	2	8.79	3.96	0,14	0,123	0,102	0,082
538-09-50-8031	09-50-8031	A	3	12.75	7.92	0,27	0,235	0,16	0,129
538-09-50-8041	09-50-8041	A	4	16.71	11.89	0,36	0,296	0,248	0,219
538-09-50-8051	09-50-8051	A	5	20.67	15.85	0,45	0,388	0,28	0,211
538-09-50-8061	09-50-8061	A	6	24.64	19.81	0,52	0,46	0,314	0,25
538-09-50-8071	09-50-8071	A	7	28.60	23.77	0,63	0,552	0,384	0,34
538-09-50-8081	09-50-8081	A	8	32.56	27.74	0,71	0,623	0,422	0,337
538-09-50-8091	09-50-8091	A	9	36.53	31.70	0,81	0,705	0,476	0,379
538-09-50-8101	09-50-8101	A	10	40.49	35.66	0,88	0,777	0,519	0,411
538-09-50-8111	09-50-8111	A	11	44.45	39.62	0,98	0,858	0,573	0,455
538-09-50-8121	09-50-8121	A	12	48.41	43.59	1,06	0,94	0,628	0,498

Molex Rectangular Connectors

.156" PCB RECEPTACLES

- Tin Plated

For quantities greater than listed, call for quote.

MOUSER STOCK NO.	Molex Part No.	Fig.	No. of Circuits	Dimensions: mm		Price Each			
				A	B	1	10	100	500
Bottom Entry									
538-09-52-3032	09-52-3032	B	3	11.79	7.92	0,63	0,48	0,451	0,389
538-09-52-3042	09-52-3042	B	4	15.75	11.89	0,80	0,623	0,573	0,498
538-09-52-3052	09-52-3052	B	5	19.71	15.85	0,95	0,818	0,552	0,455
538-09-52-3062	09-52-3062	B	6	23.67	19.81	1,05	0,787	0,703	0,563
538-09-52-3072	09-52-3072	B	7	27.64	23.77	1,49	1,34	0,898	0,726
538-09-52-3082	09-52-3082	B	8	31.60	27.74	1,39	1,05	0,811	0,747
538-09-52-3102	09-52-3102	B	10	39.52	35.66	1,59	1,43	0,964	0,769
538-09-52-3122	09-52-3122	B	12	47.45	43.59	2,11	1,90	1,27	1,13
Top Entry									
538-09-52-3033	09-52-3033	C	3	11.79	7.92	0,66	0,531	0,444	0,346
538-09-52-3043	09-52-3043	C	4	15.75	11.89	0,60	0,562	0,357	0,303
538-09-52-3053	09-52-3053	C	5	19.71	15.85	0,93	0,756	0,444	0,389
538-09-52-3063	09-52-3063	C	6	23.67	19.81	1,04	0,807	0,53	0,486
538-09-52-3073	09-52-3073	C	7	27.64	23.77	1,24	1,11	0,736	0,552
538-09-52-3083	09-52-3083	C	8	31.60	27.74	1,21	1,09	0,682	0,585
538-09-52-3093	09-52-3093	C	9	35.56	31.70	1,29	1,02	0,78	0,704

For quantities greater than listed, call for quote.

MOUSER STOCK NO.	Molex Part No.	Fig.	No. of Circuits	Dimensions: mm		Price Each			
				A	B	1	10	100	500
Top Entry (Cont.)									
538-09-52-3103	09-52-3103	C	10	39.52	35.66	1,37	0,961	0,91	0,855
538-09-52-3113	09-52-3113	C	11	43.48	39.62	1,68	1,04	0,996	0,888
538-09-52-3123	09-52-3123	C	12	47.75	43.59	1,83	1,15	1,03	0,942
Side Entry									
538-09-52-3021	09-52-3021	D	2	7.82	3.96	0,34	0,276	0,258	0,235
538-09-52-3031	09-52-3031	D	3	11.79	7.92	0,66	0,531	0,444	0,346
538-09-52-3041	09-52-3041	D	4	15.75	11.89	0,70	0,521	0,357	0,335
538-09-52-3051	09-52-3051	D	5	19.71	15.85	0,93	0,756	0,444	0,389
538-09-52-3061	09-52-3061	D	6	23.67	19.81	1,01	0,807	0,53	0,486
538-09-52-3071	09-52-3071	D	7	27.64	23.77	1,05	0,726	0,671	0,595
538-09-52-3081	09-52-3081	D	8	31.60	27.74	1,21	0,767	0,747	0,66
538-09-52-3091	09-52-3091	D	9	35.56	31.70	1,20	0,858	0,812	0,758
538-09-52-3101	09-52-3101	D	10	39.52	35.66	1,31	0,961	0,867	0,801
538-09-52-3111	09-52-3111	D	11	43.48	39.62	1,89	1,67	1,11	0,888
538-09-52-3121	09-52-3121	D	12	47.75	43.59	2,19	1,38	1,24	1,12

.156" CRIMP TERMINALS

- Temperature: Phosphor Bronze: 0 to +75°C; Brass: 0 to +50°C
- Current: 5.0A max. using 18AWG wire

MOUSER STOCK NO.	Molex Part No.	Fig.	Wire Range	Material	Plating	Price Each		
						1	100	500
538-08-50-0106	08-50-0106	E	18-20	Brass	Tin	0,06	0,047	0,038
538-08-52-0072	08-52-0072	E	18-20	Ph Bz	Tin	0,06	0,039	0,038
538-08-50-0108	08-50-0108	E	22-26	Brass	Tin	0,08	0,061	0,058
538-08-50-0134	08-50-0134	E	22-26	Ph Bz	Tin	0,07	0,06	0,055
538-08-56-0106	08-56-0106	E	18-20	Brass	Gold	0,70	0,546	0,46
538-08-58-0122	08-58-0122	E	18-20	Ph Bz	Gold	0,83	0,654	0,552
538-08-56-0108	08-56-0108	E	22-26	Brass	Gold	0,83	0,654	0,552
538-08-58-0126	08-58-0126	E	22-26	Ph Bz	Gold	0,83	0,654	0,552
538-08-52-0113	08-52-0113	F	18-20	Ph Bz	Tin	0,06	0,056	0,056
538-08-50-0189	08-50-0189	F	18-20	Brass	Tin	0,08	0,075	0,064
538-08-52-0125	08-52-0125	F	22-26	Ph Bz	Tin	0,08	0,06	0,053
538-08-50-0185	08-50-0185	F	22-26	Brass	Tin	0,11	0,10	0,098
538-08-56-0124	08-56-0124	F	22-26	Ph Bz	Gold	1,46	1,18	1,05
*538-45570-3050	45570-3050	G	18-20	Copp-Alloy	Tin	0,19	0,164	0,151

*Use with 09-50-8xxx only

© Copyright 2012 Mouser Electronics

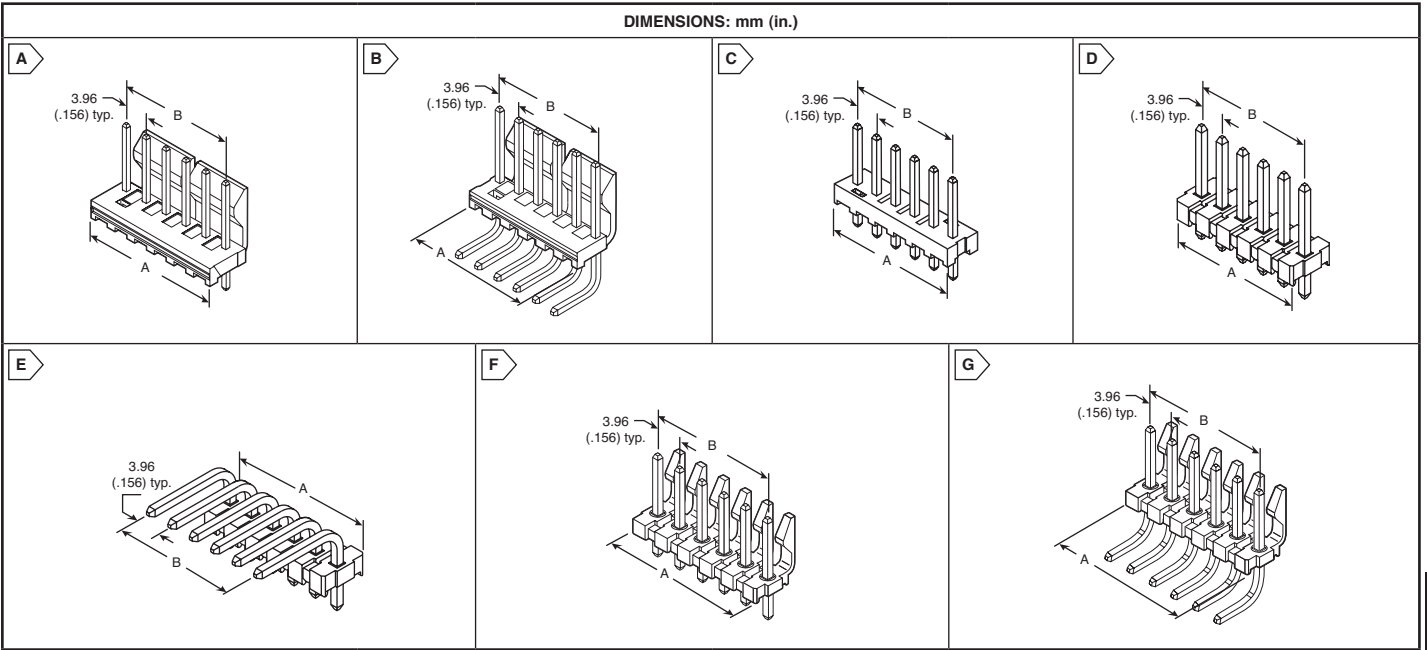
POLARIZING KEYS AND PEGS

- Snap fit into housings
- RoHS compliant per Molex documentation

RoHS Compliant

MOLEX KK® Series Headers (.156")

DIMENSIONS: mm (in.)



.156" PCB HEADERS

• Current: 7.0A • Voltage: 250V

For quantities greater than listed, call for quote.

MOUSER STOCK NO.	Molex Part No.	Fig.	No. of Circuits	Dim. mm		Price Each			
				A	B	1	10	100	500
Vertical Friction Lock, Tin Plating UL94V-0, Polyester									
538-26-60-4020	26-60-4020	A	2	7.77	3.96	0,24	0,204	0,169	0,15
538-26-60-4030	26-60-4030	A	3	11.73	7.92	0,31	0,27	0,187	0,148
538-26-60-4040	26-60-4040	A	4	15.70	11.89	0,37	0,324	0,261	0,261
538-26-60-4050	26-60-4050	A	5	19.66	15.85	0,58	0,501	0,335	0,326
538-26-60-4060	26-60-4060	A	6	23.62	19.81	0,72	0,634	0,422	0,335
538-26-60-4070	26-60-4070	A	7	27.58	23.77	0,80	0,685	0,46	0,456
538-26-60-4080	26-60-4080	A	8	31.55	27.74	0,85	0,738	0,589	0,521
538-26-60-4090	26-60-4090	A	9	35.51	31.70	1,09	0,961	0,639	0,509
538-26-60-4100	26-60-4100	A	10	39.47	35.66	1,21	1,06	0,74	0,655
538-26-60-4110	26-60-4110	A	11	43.43	39.62	1,33	1,17	0,78	0,617
538-26-60-4120	26-60-4120	A	12	47.40	43.59	1,46	1,28	0,887	0,786
Vertical Friction Lock, Gold Plating UL94V-0, Polyester									
538-26-61-4020	26-61-4020	A	2	7.77	3.96	1,12	0,991	0,66	0,53
538-26-61-4030	26-61-4030	A	3	11.73	7.92	1,65	1,45	0,953	0,79
538-26-61-4040	26-61-4040	A	4	15.70	11.89	2,16	1,90	1,26	1,02
538-26-61-4050	26-61-4050	A	5	19.66	15.85	2,69	1,83	1,45	1,21
538-26-61-4060	26-61-4060	A	6	23.62	19.81	2,66	2,05	1,76	1,50
538-26-61-4070	26-61-4070	A	7	27.58	23.77	3,05	2,66	2,22	1,77
538-26-61-4080	26-61-4080	A	8	31.55	27.74	4,31	3,80	2,53	2,02
538-26-61-4090	26-61-4090	A	9	35.51	31.70	4,84	4,27	2,84	2,27
538-26-61-4100	26-61-4100	A	10	39.47	35.66	5,40	4,76	3,17	2,53
538-26-61-4120	26-61-4120	A	12	47.40	43.59	6,48	5,71	3,81	3,04
Right Angle Friction Lock, Tin Plating									
538-26-60-5020	26-60-5020	B	2	7.77	3.96	0,24	0,204	0,165	0,146
538-26-60-5030	26-60-5030	B	3	11.73	7.92	0,38	0,317	0,247	0,219
538-26-60-5040	26-60-5040	B	4	15.70	11.89	0,51	0,45	0,303	0,257
538-26-60-5050	26-60-5050	B	5	19.66	15.85	0,64	0,572	0,379	0,322
538-26-60-5060	26-60-5060	B	6	23.62	19.81	0,87	0,767	0,509	0,411
538-26-60-5070	26-60-5070	B	7	27.58	23.77	0,91	0,797	0,53	0,456
538-26-60-5080	26-60-5080	B	8	31.55	27.74	1,03	0,91	0,606	0,517
538-26-60-5090	26-60-5090	B	9	35.51	31.70	1,17	1,02	0,682	0,583
538-26-60-5100	26-60-5100	B	10	39.47	35.66	1,21	1,11	0,757	0,648
538-26-60-5110	26-60-5110	B	11	43.43	39.62	1,42	1,25	0,834	0,671
538-26-60-5120	26-60-5120	B	12	47.40	43.59	1,53	1,36	0,888	0,693
Vertical, Without Pegs, Tin Plating									
538-26-60-2020	26-60-2020	C	2	7.77	3.96	0,47	0,363	0,291	0,266
538-26-60-2030	26-60-2030	C	3	11.73	7.92	0,42	0,406	0,308	0,294
538-26-60-2040	26-60-2040	C	4	15.70	11.89	0,77	0,619	0,573	0,47
538-26-60-2050	26-60-2050	C	5	19.66	15.85	0,66	0,60	0,559	0,50
538-26-60-2100	26-60-2100	C	10	39.47	35.66	1,36	1,27	1,26	1,03
538-26-60-2120	26-60-2120	C	12	47.40	43.59	1,72	1,53	1,48	1,42

.156" BREAKAWAY HEADERS - PCB

• Contact: Brass • Square pins • Voltage: 250VAC • RoHS compliant per Molex documentation
• Current: 7.0A max. (dependent on connection and PC Board)

For quantities greater than listed, call for quote.

MOUSER STOCK NO.	Molex Part No.	Fig.	No. of Circuits	Dimensions: mm		Price Each			
				A	B	1	10	100	500
Vertical, Tin Plating UL94V-0, Polyester									
538-26-48-1021	26-48-1021	D	2	6.78	3.96	0,39	0,347	0,238	0,173
538-26-48-1031	26-48-1031	D	3	10.74	7.92	0,52	0,367	0,273	0,258
538-26-48-1041	26-48-1041	D	4	14.71	11.89	0,87	0,709	0,589	0,446
538-26-48-1051	26-48-1051	D	5	18.67	15.85	0,95	0,835	0,61	0,434
538-26-48-1061	26-48-1061	D	6	22.63	19.81	0,71	0,644	0,595	0,498
538-26-48-1071	26-48-1071	D	7	26.59	23.77	1,44	1,24	0,885	0,728
538-26-48-1081	26-48-1081	D	8	30.56	27.74	1,21	1,05	0,888	0,818
538-26-48-1091	26-48-1091	D	9	34.52	31.70	1,91	1,59	1,21	0,993
538-26-48-1101	26-48-1101	D	10	38.48	35.66	1,09	0,99	0,943	0,896
538-26-48-1111	26-48-1111	D	11	42.44	39.62	1,73	1,41	1,12	0,912
538-26-48-1121	26-48-1121	D	12	46.41	43.59	1,61	1,33	1,02	0,844
538-26-48-1241	26-48-1241	D	24	93.85	91.14	2,09	2,09	1,50	1,05
Right Angle, Tin Plating									
538-26-48-1022	26-48-1022	E	2	6.78	3.96	0,65	0,614	0,439	0,334
538-26-48-1032	26-48-1032	E	3	10.74	7.92	0,43	0,347	0,26	0,217
538-26-48-1042	26-48-1042	E	4	14.71	11.89	0,97	0,85	0,567	0,449
538-26-48-1052	26-48-1052	E	5	18.67	15.85	1,03	0,914	0,609	0,483
538-26-48-1062	26-48-1062	E	6	22.63	19.81	1,00	0,873	0,585	0,539
538-26-48-1082	26-48-1082	E	8	30.56	27.74	1,18	1,05	0,701	0,551
538-26-48-1102	26-48-1102	E	10	38.48	35.66	1,60	1,43	0,955	0,75
538-26-48-1122	26-48-1122	E	12	46.41	43.59	1,93	1,70	1,12	0,90
538-26-48-1242	26-48-1242	E	24	93.85	91.14	2,10	1,90	1,31	1,03
Vertical Friction Lock, Tin Plating									
538-26-48-1025	26-48-1025	F	2	6.78	3.96	0,37	0,235	0,214	0,151
538-26-48-1035	26-48-1035	F	3	10.74	7.92	0,42	0,347	0,321	0,224
538-26-48-1045	26-48-1045	F	4	14.71	11.89	0,47	0,409	0,403	0,282
538-26-48-1055	26-48-1055	F	5	18.67	15.85	0,60	0,54	0,521	0,495
538-26-48-1065	26-48-1065	F	6	22.63	19.81	0,65	0,648	0,648	0,454
538-26-48-1075	26-48-1075	F	7	26.59	23.77	1,22	1,04	0,755	0,576
538-26-48-1085	26-48-1085	F	8	30.56	27.74	0,83	0,76	0,722	0,685
538-26-48-1095	26-48-1095	F	9	34.52	31.70	1,07	0,95	0,563	0,476
538-26-48-1105	26-48-1105	F	10	38.48	35.66	1,26	1,08	1,08	0,757
538-26-48-1115	26-48-1115	F	11	42.44	39.62	1,12	1,12	1,12	0,785
538-26-48-1125	26-48-1125	F	12	46.41	43.59	1,28	1,16	1,10	1,05
538-26-48-1245	26-48-1245	F	24	93.85	91.14	1,68	1,39	1,08	0,993
Right Angle Friction Lock, Tin Plating									
538-26-48-1026	26-48-1026	G	2	6.78	3.96	0,22	0,20	0,195	0,185
538-26-48-1036	26-48-1036	G	3	10.74	7.92	0,55	0,47	0,314	0,248
538-26-48-1046	26-48-1046	G	4	14.71	11.89	1,14	1,00	0,587	0,512
538-26-48-1066	26-48-1066	G	6	22.63	19.81	0,77	0,70	0,669	0,636
538-26-48-1076	26-48-1076	G	7	26.59	23.77	1,58	1,37	0,931	0,744
538-26-48-1086	26-48-1086	G	8	30.56	27.74	1,64	1,51	1,08	0,762
538-26-48-1096	26-48-1096	G	9	34.52	31.70	1,71	1,62	1,08	0,863
538-26-48-1106	26-48-1106	G	10	38.48	35.66	1,87	1,65	1,10	0,884
538-26-48-1126	26-48-1126	G	12	46.41	43.59	2,26	1,96	1,40	1,09
538-26-48-1246	26-48-1246	G	24	93.85	91.14	3,04	3,04	2,17	1,52

MOLEX SlimStack™ SMT Board-to-Board Connectors



RoHS Compliant This product is RoHS compliant.

0.40MM (.016") PITCH SLIMSTACK™ SMT CONNECTORS

Features:

- Durable blade on beam contact interface
- Anti-flux design
- J-Lead type SMT tail is 35% smaller than standard Gull Wing type
- Friction locks provide added mating retention to withstand shock and vibration
- Long wipe length helps provide good electrical reliability

Applications:

- Cell Phones
- Digital Cameras
- PDAs
- Mobile Devices

0.70mm Mated Height, Dual Row, 2.60mm Width

Specifications:

- Pitch: 0.4mm
- Mounting Style: Vertical
- Current: 0.3A
- Plating: Gold
- Termination Style: SMT
- Voltage: 50V



RoHS Compliant

For quantities greater than listed, call for quote.

MOUSER STOCK NO.	Molex Part No.	Fig.	Number of Circuits	Description	Price Each			
					1	10	25	50
Receptacles								
538-503548-0620	503548-0620	A	6	High Retention Type	0,64	0,562	0,45	0,409
538-503548-1220	503548-1220	A	12	High Retention Type	0,69	0,593	0,47	0,439
538-503548-1620	503548-1620	A	16	High Retention Type	0,75	0,654	0,521	0,47
538-503304-1610	503304-1610	A	16	Two-points of contact	1,07	0,981	0,91	0,838
538-503304-1810	503304-1810	A	18	Two-points of contact	0,41	0,388	0,368	0,335
538-503304-3010	503304-3010	A	30	Two-points of contact	1,46	1,42	1,30	1,17
538-503304-4010	503304-4010	A	40	Two-points of contact	1,73	1,54	1,39	1,33
538-503304-5010	503304-5010	A	50	Two-points of contact	1,91	1,70	1,53	1,47
Plugs								
538-503552-0620	503552-0620	B	6	High Retention Type	0,70	0,623	0,491	0,45
538-503552-1220	503552-1220	B	12	High Retention Type	0,78	0,685	0,552	0,491
538-503552-1620	503552-1620	B	16	High Retention Type	0,87	0,767	0,603	0,552
538-503308-1610	503308-1610	B	16	Two-points of contact	1,19	1,09	1,00	0,92
538-503308-1810	503308-1810	B	18	Two-points of contact	0,47	0,439	0,411	0,379
538-503308-3010	503308-3010	B	30	Two-points of contact	1,90	1,85	1,69	1,52
538-503308-4010	503308-4010	B	40	Two-points of contact	1,93	1,72	1,54	1,48
538-503308-5010	503308-5010	B	50	Two-points of contact	2,25	2,00	1,81	1,73

0.90mm Mated Height, Dual Row

Specifications:

- Pitch: 0.40mm
- Mounting Style: Vertical
- Current: 0.3A
- Plating: Gold
- Termination Style: SMT
- Voltage: 50V



RoHS Compliant

For quantities greater than listed, call for quote.

MOUSER STOCK NO.	Molex Part No.	Fig.	Number of Circuits	Description	Price Each			
					1	10	25	50
Receptacles								
538-501591-2011	501591-2011	A	20	With J-Lead Tails and solder tabs	2,81	2,53	2,39	2,23
538-501591-3011	501591-3011	A	30	With J-Lead Tails and solder tabs	2,68	2,43	2,23	2,14
538-501591-7011	501591-7011	A	70	With J-Lead Tails and solder tabs	5,95	5,36	4,82	4,52
Plugs								
538-501594-2011	501594-2011	B	20	With solder tabs	2,99	2,66	2,21	1,95
538-501594-3011	501594-3011	B	30	With solder tabs	2,98	2,63	2,41	2,08
538-501594-7011	501594-7011	B	70	With solder tabs	4,22	3,76	3,58	3,49

1.0mm Mated Height, Dual Row

Specifications:

- Pitch: 0.40mm
- Mounting Style: Vertical
- Current: 0.3A
- Plating: Gold
- Termination Style: SMT
- Voltage: 50V



RoHS Compliant

For quantities greater than listed, call for quote.

MOUSER STOCK NO.	Molex Part No.	Fig.	Number of Circuits	Description	Price Each			
					1	10	25	50
Receptacles								
538-502426-2010	502426-2010	C	20	With solder tabs	1,47	1,28	1,18	1,07
538-502426-4010	502426-4010	C	40	With solder tabs	2,68	2,30	1,92	1,75
538-502426-6010	502426-6010	C	60	With solder tabs	3,82	3,06	2,54	2,34
Plugs								
538-502430-2010	502430-2010	D	20	With solder tabs	1,15	1,01	0,942	0,855
538-502430-4010	502430-4010	D	40	With solder tabs	2,06	1,65	1,37	1,23
538-502430-6010	502430-6010	D	60	With solder tabs	3,18	2,53	2,12	1,91

1.50mm Mated Height, Dual Row, 2.MM Width

Specifications:

- Pitch: 0.40mm
- Mounting Style: Vertical
- Current: 0.3A
- Plating: Gold
- Termination Style: SMT
- Voltage: 50V



RoHS Compliant

For quantities greater than listed, call for quote.

MOUSER STOCK NO.	Molex Part No.	Fig.	Number of Circuits	Description	Price Each			
					1	10	25	50
Receptacles								
538-503105-4010	503105-4010	E	40	Without solder tabs	2,80	2,58	2,38	2,19
538-503105-5010	503105-5010	E	50	Without solder tabs	3,11	2,85	2,61	2,41
Plugs								
538-503108-4010	503108-4010	F	40	Without solder tabs	3,17	2,92	2,68	2,47
538-503108-5010	503108-5010	F	50	Without solder tabs	3,63	3,33	3,06	2,81

3.50mm Mated Height, Dual Row

Specifications:

- Pitch: 0.40mm
- Mounting Style: Vertical
- Current: 0.3A
- Plating: Gold
- Termination Style: SMT
- Voltage: 30V



RoHS Compliant

For quantities greater than listed, call for quote.

MOUSER STOCK NO.	Molex Part No.	Fig.	Number of Circuits	Description	Price Each			
					1	10	25	50
Receptacles								
538-54684-0704	54684-0704	G	70	Without solder tabs	4,79	4,30	3,89	3,49
538-54684-0904	54684-0904	G	90	Without solder tabs	3,64	3,27	2,96	2,65

4.00mm Mated Height, Dual Row

Specifications:

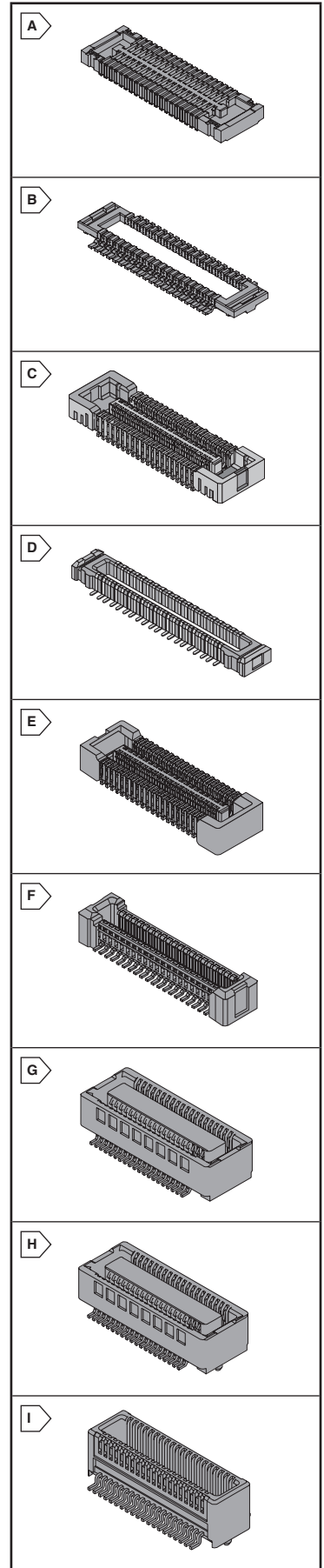
- Pitch: 0.40mm
- Mounting Style: Vertical
- Current: 0.3A
- Plating: Gold
- Termination Style: SMT
- Voltage: 30V



RoHS Compliant

For quantities greater than listed, call for quote.

MOUSER STOCK NO.	Molex Part No.	Fig.	Number of Circuits	Description	Price Each			
					1	10	25	50
Receptacles								
538-54477-0608	54477-0608	H	60	With PCB positioning pegs	2,79	2,52	2,27	2,03
538-54477-0808	54477-0808	H	80	With PCB positioning pegs	3,64	3,26	2,96	2,65
538-54477-1208	54477-1208	H	120	With PCB positioning pegs	4,80	4,30	3,89	3,51
Plugs								
538-55339-0608	55339-0608	I	60	With PCB positioning pegs	3,51	3,15	2,83	2,54
538-55339-0808	55339-0808	I	80	With PCB positioning pegs	3,74	3,35	3,05	2,72
538-55339-1208	55339-1208	I	120	With PCB positioning pegs	5,53	4,96	4,50	4,04



Rectangular Connectors

Molex

RoHS Compliant This product is RoHS compliant.

0.50MM (.020") SLIMSTACK™ VERTICAL SMT BOARD-TO-BOARD CONNECTORS

Features:

- Durable blade on beam contact interface
 - Anti-flux design
 - J-Lead type SMT tail is 35% smaller than standard Gull Wing type
 - Friction lock provides added mating retention to withstand shock or vibration
 - Long wipe length helps provide good electrical reliability
 - Applications include cell phones, digital cameras, PDA's and other mobile devices
 - RoHS Compliance per Molex documentation
- Board Mounting: SMT
 - Plating: Gold
 - Mating Style: Vertical



RoHS Compliant

1.50mm Mated Height

- Voltage: 50V
- Current: 0.5A

For quantities greater than listed, call for quote.

MOUSER STOCK NO.	Molex Part No.	Fig.	No. of Circuits	Gender	Price Each			
					1	10	25	50
538-55560-0207	55560-0607	A	20	Plug	2,21	1,99	1,66	1,50
538-55560-0307	55560-0307	A	30	Plug	1,90	1,87	1,81	1,61
538-55560-0407	55560-0407	A	40	Plug	5,94	4,75	3,96	3,64
538-55560-0607	55560-0607	A	60	Plug	7,47	6,05	5,05	4,03
538-54722-0607	54722-0607	B	60	Receptacle	6,50	5,86	4,75	3,56

2.00mm Mated Height with Solder Tabs

- Voltage: 50V
- Current: 0.5A

For quantities greater than listed, call for quote.

MOUSER STOCK NO.	Molex Part No.	Fig.	No. of Circuits	Gender	Price Each			
					1	10	25	50
538-55201-0478	55201-0478	C	40	Plug	5,56	5,06	4,56	4,06
538-55201-0878	55201-0878	C	80	Plug	12,20	10,80	10,41	9,77
538-54363-0878	54363-0878	D	80	Receptacle	11,25	10,37	9,91	9,39

2.50mm Mated Height

- Voltage: 50V
- Current: 0.5A

For quantities greater than listed, call for quote.

MOUSER STOCK NO.	Molex Part No.	Fig.	No. of Circuits	Gender	Price Each			
					1	10	25	50
Without Solder Tabs								
538-53885-0208	53885-0208	E	20	Plug	2,56	2,52	2,43	2,15
538-53885-0308	53885-0308	E	30	Plug	3,23	2,64	2,55	2,37
With Solder Tabs								
538-53949-0878	53949-0878	F	80	Plug	6,38	5,64	5,07	4,53
538-54150-0878	54150-0878	G	80	Receptacle	4,58	4,01	3,81	3,52

3.00mm Mated Height

- Voltage: 50V
- Current: 0.5A

For quantities greater than listed, call for quote.

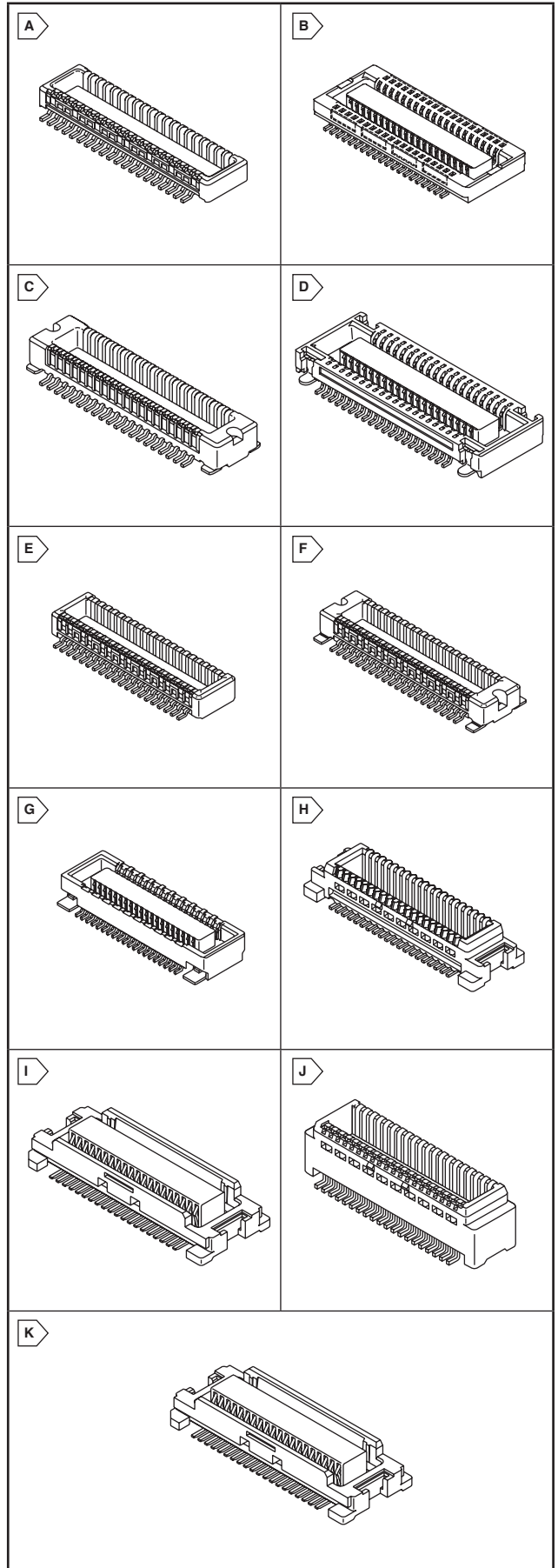
MOUSER STOCK NO.	Molex Part No.	Fig.	No. of Circuits	Gender	Price Each			
					1	10	25	50
538-53748-0208	53748-0208	H	20	Plug	4,37	4,30	4,15	3,67
538-53748-0308	53748-0308	H	30	Plug	4,70	4,62	4,45	3,92
538-53748-0408	53748-0408	H	40	Plug	5,03	4,95	4,77	4,21
538-53748-0708	53748-0708	H	70	Plug	6,03	5,93	5,72	5,04
538-53748-0808	53748-0808	H	80	Plug	7,18	6,53	5,57	4,94
538-52991-0208	52991-0208	I	20	Receptacle	2,37	2,33	2,26	2,00
538-52991-0308	52991-0308	I	30	Receptacle	3,42	3,36	3,25	2,89
538-52991-0408	52991-0408	I	40	Receptacle	3,95	3,88	3,81	3,77
538-52991-0708	52991-0708	I	70	Receptacle	6,17	5,95	5,81	5,51

4.00mm Mated Height

- Voltage: 50V
- Current: 0.5A

For quantities greater than listed, call for quote.

MOUSER STOCK NO.	Molex Part No.	Fig.	No. of Circuits	Gender	Price Each			
					1	10	25	50
538-501920-3001	501920-3001	J	30	Plug	4,38	3,93	3,54	3,19
538-54167-0308	54167-0308	K	30	Receptacle	3,77	3,68	2,94	2,67



Rectangular Connectors

Molex

MOLEX SlimStack™ SMT Board-to-Board Connectors



RoHS Compliant This page of product is compliant.



RoHS Compliant

0.635 (.025") PITCH SLIMSTACK™ SMT CONNECTORS

Features:

- Cantilever type gold contacts
- Beam on blade contact
- Metal friction lock
- High-temp LCP housing
- Shrouded plugs and receptacles

Specifications:

- Contact plating: Gold
- Mounting style: Vertical
- Termination style: SMT
- Current rating: 0.5A max
- Voltage: 100V max

6.0mm Height

For quantities greater than listed, call for quote.

MOUSER STOCK NO.	Molex Part No.	Fig.	Number of Circuits	Description	Price Each			
					1	10	25	50
Plugs								
538-55091-0274	55091-0274	A	20	With Solder Tabs, Black	3,86	3,72	3,66	3,56
538-55091-0474	55091-0474	A	40	With Solder Tabs, Black	2,62	2,41	2,22	2,04
538-55091-0674	55091-0674	A	60	With Solder Tabs, Black	4,95	4,49	4,26	4,05
538-55091-1674	55091-1674	A	160	With Solder Tabs, Black	11,88	10,80	10,26	9,71
Receptacles								
538-52885-0274	52885-0274	B	20	With Solder Tabs, White	3,16	2,87	2,72	2,59
538-52885-0474	52885-0474	B	40	With Solder Tabs, White	3,23	2,95	2,72	2,50
538-52885-0674	52885-0674	B	60	With Solder Tabs, White	9,41	8,72	8,05	7,18

8.0mm Height

For quantities greater than listed, call for quote.

MOUSER STOCK NO.	Molex Part No.	Fig.	Number of Circuits	Description	Price Each			
					1	10	25	50
Plugs								
538-53647-0274	53647-0274	C	20	With Solder Tabs, Black	4,94	4,78	4,60	4,50
538-53647-0474	53647-0474	C	40	With Solder Tabs, Black	8,83	8,03	7,63	7,24
538-53647-1674	53647-1674	C	160	With Solder Tabs, Black	10,71	9,83	9,07	8,34
Receptacles								
538-52885-0274	52885-0274	B	20	With Solder Tabs, White	3,16	2,87	2,72	2,59
538-52885-0474	52885-0474	B	40	With Solder Tabs, White	3,23	2,95	2,72	2,50

10mm Height

For quantities greater than listed, call for quote.

MOUSER STOCK NO.	Molex Part No.	Fig.	Number of Circuits	Description	Price Each			
					1	10	25	50
Plugs								
538-53627-0474	53627-0474	D	40	With Solder Tabs, Black	6,37	5,72	5,15	4,64
538-53627-0674	53627-0674	D	60	With Solder Tabs, Black	5,25	4,82	4,45	4,30
538-53627-0874	53627-0874	D	80	With Solder Tabs, Black	10,98	9,87	8,89	8,24
Receptacles								
538-52885-0474	52885-0474	B	40	With Solder Tabs, White	3,23	2,95	2,72	2,50
538-52885-0674	52885-0674	B	60	With Solder Tabs, White	9,41	8,72	8,05	7,18
538-52885-0874	52885-0874	B	80	With Solder Tabs, White	4,97	4,56	4,20	3,85

12mm Height

For quantities greater than listed, call for quote.

MOUSER STOCK NO.	Molex Part No.	Fig.	Number of Circuits	Description	Price Each			
					1	10	25	50
Plugs								
538-55091-0274	55091-0274	A	20	With Solder Tabs, Black	3,86	3,72	3,66	3,56
538-55091-0474	55091-0474	A	40	With Solder Tabs, Black	2,62	2,41	2,22	2,04
538-55091-0674	55091-0674	A	60	With Solder Tabs, Black	4,95	4,49	4,26	4,05
Receptacles								
538-52901-0274	52901-0274	E	20	With Solder Tabs, White	4,13	3,80	3,51	3,22
538-52901-0474	52901-0474	E	40	With Solder Tabs, White	10,41	9,37	8,43	7,84
538-52901-0674	52901-0674	E	60	With Solder Tabs, White	5,86	5,48	5,00	4,58

14mm Height

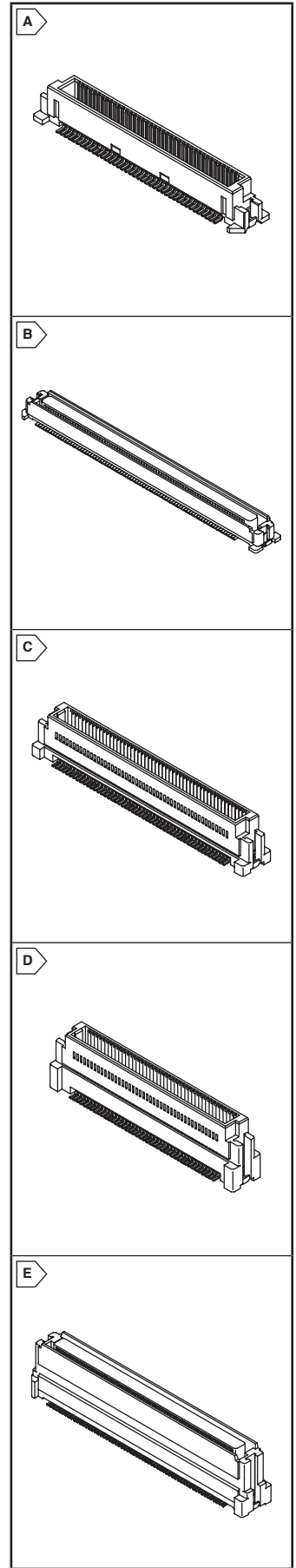
For quantities greater than listed, call for quote.

MOUSER STOCK NO.	Molex Part No.	Fig.	Number of Circuits	Description	Price Each			
					1	10	25	50
Plugs								
538-53647-0274	53647-0274	C	20	With Solder Tabs, Black	4,94	4,78	4,60	4,50
538-53647-0474	53647-0474	C	40	With Solder Tabs, Black	8,83	8,03	7,63	7,24
Receptacles								
538-52901-0274	52901-0274	E	20	With Solder Tabs, White	4,13	3,80	3,51	3,22
538-52901-0474	52901-0474	E	40	With Solder Tabs, White	10,41	9,37	8,43	7,84

16mm Height

For quantities greater than listed, call for quote.

MOUSER STOCK NO.	Molex Part No.	Fig.	Number of Circuits	Description	Price Each			
					1	10	25	50
Plugs								
538-53627-0474	53627-0474	D	40	With Solder Tabs, Black	6,37	5,72	5,15	4,64
538-53627-0674	53627-0674	D	60	With Solder Tabs, Black	5,25	4,82	4,45	4,30
538-53627-0874	53627-0874	D	80	With Solder Tabs, Black	10,98	9,87	8,89	8,24
Receptacles								
538-52901-0474	52901-0474	E	40	With Solder Tabs, White	10,41	9,37	8,43	7,84
538-52901-0674	52901-0674	E	60	With Solder Tabs, White	5,86	5,48	5,00	4,58
538-52901-0874	52901-0874	E	80	With Solder Tabs, White	14,67	13,48	12,41	11,42



Molex Rectangular Connectors

MOLEX Picoflex® Connectors

RoHS Compliant This product is RoHS compliant.

PICOFLEX® SMT LATCHED HEADER 1.27MM (.050") PITCH

Features:

- Highly reliable, power and signal connectors
- Meets high-vibration and shock requirements
- Mating height of 6.40mm (.252")
- Ideal for small circuit applications
- Excellent polarization

Applications:

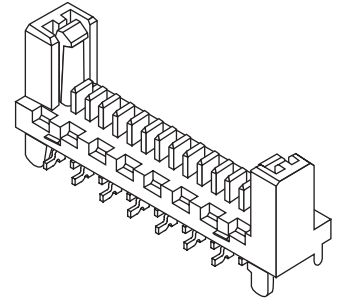
- Industrial
- Solar
- Medical
- Multimedia
- Automotive

Specifications:

- Current Rating: 2.4A max.
- Voltage: 250V max.
- Operating Temperature: -40°C to +105°C

For quantities greater than listed, call for quote.

MOUSER STOCK NO.	Molex Part No.	Fig.	No. of Circuits	Contact Plating	Overall Length (in.)	First-to-Last Circuit (in.)	Price Each			
							1	10	100	500
538-90816-0206	90816-0206	A	6	Tin	.449	.150	1,13	1,06	0,985	0,91
538-90816-0208	90816-0208	A	8	Tin	.549	.250	1,21	1,14	1,05	0,975
538-90816-0210	90816-0210	A	10	Tin	.649	.350	1,28	1,21	1,11	1,02
538-90816-0212	90816-0212	A	12	Tin	.749	.450	1,35	1,29	1,18	1,09
538-90816-0214	90816-0214	A	14	Tin	.849	.550	1,76	1,68	1,53	1,41
538-90816-0216	90816-0216	A	16	Tin	.949	.650	1,67	1,56	1,47	1,33
538-90816-0218	90816-0218	A	18	Tin	1.049	.750	1,82	1,72	1,57	1,45
538-90816-0220	90816-0220	A	20	Tin	1.149	.850	1,89	1,79	1,65	1,51
538-90816-0226	90816-0226	A	26	Tin	1.449	1.250	2,33	2,23	2,04	1,88



PICOFLEX® SMT HEADER 1.27MM (.050") PITCH

Features:

- Highly reliable, power and signal connectors
- Meets high-vibration and shock requirements
- Mating height of 6.40mm (.252")
- Ideal for small circuit applications
- Excellent polarization

Applications:

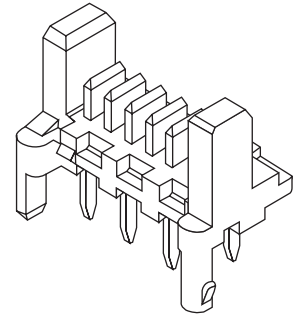
- Industrial
- Solar
- Medical
- Multimedia
- Automotive

Specifications:

- Current Rating: 2.4A max.
- Voltage: 250V max.
- Operating Temperature: -40°C to +105°C

For quantities greater than listed, call for quote.

MOUSER STOCK NO.	Molex Part No.	Fig.	No. of Circuits	Contact Plating	Overall Length (in.)	First-to-Last Circuit (in.)	Price Each			
							1	10	100	500
538-90814-0804	90814-0804	B	4	Tin	.349	.150	0,78	0,705	0,562	0,429
538-90814-0806	90814-0806	B	6	Tin	.449	.250	0,80	0,705	0,606	0,487
538-90814-0808	90814-0808	B	8	Tin	.549	.350	1,04	0,961	0,769	0,588
538-90814-0810	90814-0810	B	10	Tin	.649	.450	1,03	0,94	0,759	0,588
538-90814-0812	90814-0812	B	12	Tin	.749	.550	1,10	0,971	0,812	0,628
538-90814-0814	90814-0814	B	14	Tin	.849	.650	1,27	1,15	0,931	0,723
538-90814-0816	90814-0816	B	16	Tin	.949	.750	1,42	1,30	1,03	0,806
538-90814-0818	90814-0818	B	18	Tin	1.049	.850	1,57	1,45	1,15	0,888
538-90814-0820	90814-0820	B	20	Tin	1.149	.950	1,74	1,59	1,29	0,996
538-90814-0826	90814-0826	B	26	Tin	1.449	1.250	1,92	1,76	1,40	1,08
538-90814-3804	90814-3804	B	4	Gold	.349	.150	1,11	1,03	0,834	0,65
538-90814-3806	90814-3806	B	6	Gold	.449	.250	1,10	1,01	0,823	0,639
538-90814-3808	90814-3808	B	8	Gold	.549	.350	1,50	1,38	1,11	0,866
538-90814-3810	90814-3810	B	10	Gold	.649	.450	1,73	1,57	1,25	0,974
538-90814-3812	90814-3812	B	12	Gold	.749	.550	2,07	1,89	1,51	1,17
538-90814-3814	90814-3814	B	14	Gold	.849	.650	2,35	2,16	1,72	1,32
538-90814-3816	90814-3816	B	16	Gold	.949	.750	2,20	2,01	1,59	1,24
538-90814-3818	90814-3818	B	18	Gold	1.049	.850	2,45	2,25	1,79	1,38
538-90814-3820	90814-3820	B	20	Gold	1.149	.950	2,73	2,49	1,99	1,53
538-90814-3826	90814-3826	B	26	Gold	1.449	1.250	3,49	3,19	2,56	1,96



PICOFLEX® PF-50, LOW PROFILE, IDT RECEPTACLE 1.27MM (.050") PITCH

Features:

- Highly reliable, power and signal connectors
- Meets high-vibration and shock requirements
- Mating height of 6.40mm (.252")
- Ideal for small circuit applications
- Excellent polarization

Applications:

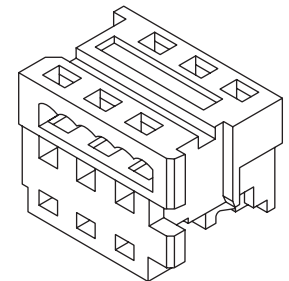
- Industrial
- Solar
- Medical
- Multimedia
- Automotive

Specifications:

- Current Rating: 1.2A max.
- Voltage: 250V max.
- Operating Temperature: -40°C to +105°C

For quantities greater than listed, call for quote.

MOUSER STOCK NO.	Molex Part No.	Fig.	No. of Circuits	Contact Plating	Overall Length (in.)	First-to-Last Circuit (in.)	Price Each			
							1	10	100	500
538-90327-0304	90327-0304	C	4	Tin	.299	.150	0,62	0,572	0,455	0,357
538-90327-0306	90327-0306	C	6	Tin	.399	.250	0,63	0,568	0,454	0,354
538-90327-0308	90327-0308	C	8	Tin	.499	.350	0,83	0,753	0,604	0,467
538-90327-0310	90327-0310	C	10	Tin	.599	.450	1,28	1,15	0,93	0,723
538-90327-0312	90327-0312	C	12	Tin	.699	.550	1,43	1,31	1,04	0,81
538-90327-0314	90327-0314	C	14	Tin	.799	.650	1,56	1,43	1,13	0,887
538-90327-0316	90327-0316	C	16	Tin	.899	.750	1,69	1,53	1,23	0,953
538-90327-0318	90327-0318	C	18	Tin	.999	.850	1,81	1,66	1,32	1,02
538-90327-0320	90327-0320	C	20	Tin	1.099	.950	2,02	1,85	1,47	1,13
538-90327-0326	90327-0326	C	26	Tin	1.399	1.250	1,75	1,59	1,27	0,982
538-90327-3304	90327-3304	C	4	Gold	.299	.150	0,83	0,746	0,602	0,46
538-90327-3306	90327-3306	C	6	Gold	.399	.250	1,15	1,05	0,843	0,657
538-90327-3308	90327-3308	C	8	Gold	.499	.350	1,36	1,24	0,996	0,769
538-90327-3310	90327-3310	C	10	Gold	.599	.450	1,66	1,51	1,21	0,931
538-90327-3312	90327-3312	C	12	Gold	.699	.550	1,87	1,71	1,36	1,04
538-90327-3314	90327-3314	C	14	Gold	.799	.650	2,03	1,86	1,48	1,14
538-90327-3316	90327-3316	C	16	Gold	.899	.750	2,21	2,02	1,61	1,25
538-90327-3318	90327-3318	C	18	Gold	.999	.850	2,36	2,17	1,73	1,33
538-90327-3320	90327-3320	C	20	Gold	1.099	.950	2,63	2,40	1,92	1,48
538-90327-3326	90327-3326	C	26	Gold	1.399	1.250	3,56	3,26	2,60	2,00

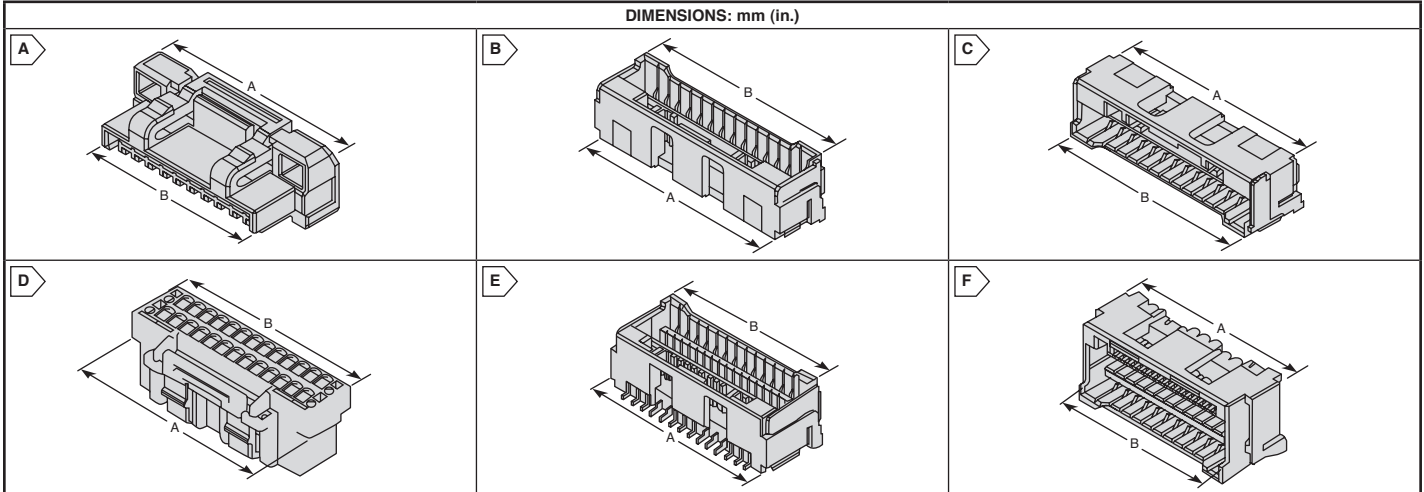


MOLEX CLIK-Mate™ Connectors

molex
one company > a world of innovation

RoHS Compliant This product is RoHS compliant.

DIMENSIONS: mm (in.)



CLIK-Mate connectors are designed for applications such as LCD TVs that require higher pin count to carry more signal lines in less space. The system includes a unique tuning-fork terminal concept that provides low-insertion force and secure mating contact.

Features:

- Positive inner locks
- Tuning-fork style contact design
- Flat area for pick-and-place
- Reinforced metal solder tabs
- Footprint compatibility

1.25MM CLIK-MATE CONNECTORS

Crimp Plug Housings

For quantities greater than listed, call for quote.

MOUSER STOCK NO.	Molex Part No.	Fig.	No. of Circuits	Dimensions: mm		Price Each		
				A	B	1	10	100
538-502380-0200	502380-0200	A	2	5.60	3.75	0,15	0,123	0,103
538-502380-0300	502380-0300	A	3	6.85	5.00	0,19	0,164	0,161
538-502380-0400	502380-0400	A	4	8.10	6.25	0,23	0,204	0,184
538-502380-0500	502380-0500	A	5	9.35	7.50	0,27	0,245	0,227
538-502380-0600	502380-0600	A	6	10.60	8.75	0,29	0,266	0,248
538-502380-0800	502380-0800	A	8	13.10	11.25	0,39	0,347	0,325
538-502380-1000	502380-1000	A	10	15.60	13.75	0,45	0,409	0,368
538-502380-1400	502380-1400	A	14	20.60	18.75	0,58	0,511	0,465
538-502380-1500	502380-1500	A	15	21.85	20.00	0,61	0,562	0,498

Verticle Receptacles

For quantities greater than listed, call for quote.

MOUSER STOCK NO.	Molex Part No.	Fig.	No. of Circuits	Dimensions: mm		Price Each		
				A	B	1	10	100
538-502382-0270	502382-0270	B	2	5.85	4.75	0,93	0,828	0,747
538-502382-0370	502382-0370	B	3	7.10	6.00	1,11	1,01	0,898
538-502382-0470	502382-0470	B	4	8.35	7.25	1,24	1,11	1,01
538-502382-0570	502382-0570	B	5	9.60	8.50	1,38	1,24	1,11
538-502382-0670	502382-0670	B	6	10.85	9.75	1,48	1,33	1,20
538-502382-0870	502382-0870	B	8	13.35	12.25	1,71	1,53	1,37
538-502382-1070	502382-1070	B	10	15.85	14.75	1,95	1,76	1,58
538-502382-1470	502382-1470	B	14	20.85	19.75	2,46	2,22	2,00
538-502382-1570	502382-1570	B	15	22.10	21.00	2,50	2,25	2,03

Right Angle Receptacles

For quantities greater than listed, call for quote.

MOUSER STOCK NO.	Molex Part No.	Fig.	No. of Circuits	Dimensions: mm		Price Each		
				A	B	1	10	100
538-502386-0270	502386-0270	C	2	5.85	4.75	0,70	0,634	0,585
538-502386-0370	502386-0370	C	3	7.10	6.00	1,19	1,05	0,964
538-502386-0470	502386-0470	C	4	8.35	7.25	1,31	1,18	1,05
538-502386-0570	502386-0570	C	5	9.60	8.50	1,42	1,29	1,15
538-502386-0670	502386-0670	C	6	10.85	9.75	1,54	1,39	1,24
538-502386-0870	502386-0870	C	8	13.35	12.25	1,75	1,58	1,42
538-502386-1070	502386-1070	C	10	15.85	14.75	2,01	1,81	1,64
538-502386-1470	502386-1470	C	14	20.85	19.75	2,49	2,25	2,02
538-502386-1570	502386-1570	C	15	22.10	21.00	2,60	2,33	2,11

1.5MM CLIK-MATE CONNECTORS

Crimp Plug Housings

For quantities greater than listed, call for quote.

MOUSER STOCK NO.	Molex Part No.	Fig.	No. of Circuits	Dimensions: mm		Price Each		
				A	B	1	10	100
538-502578-0200	502578-0200	A	2	7.3	1.5	0,26	0,235	0,216
538-502578-0400	502578-0400	A	4	10.3	4.5	0,39	0,317	0,292
538-502578-0600	502578-0600	A	6	13.3	11.8	0,45	0,378	0,335
538-502578-0800	502578-0800	A	8	16.3	10.5	0,50	0,419	0,378
538-502578-1000	502578-1000	A	10	19.3	13.5	0,54	0,46	0,406
538-502578-1400	502578-1400	A	14	25.3	19.5	0,77	0,634	0,573
538-502578-1500	502578-1500	A	15	26.8	21.0	0,79	0,654	0,585

Verticle Receptacles

For quantities greater than listed, call for quote.

MOUSER STOCK NO.	Molex Part No.	Fig.	No. of Circuits	Dimensions: mm		Price Each		
				A	B	1	10	100
538-502584-0270	502584-0270	B	2	7.3	1.5	1,06	0,889	0,801
538-502584-0470	502584-0470	B	4	10.3	4.5	1,29	1,06	0,953
538-502584-0670	502584-0670	B	6	13.3	7.5	1,56	1,31	1,17
538-502584-1070	502584-1070	B	10	19.3	13.5	2,05	1,71	1,52
538-502584-1270	502584-1270	B	12	22.3	16.5	2,33	1,94	1,73
538-502584-1470	502584-1470	B	14	25.3	19.5	2,72	2,26	2,01
538-502584-1570	502584-1570	B	15	26.8	21.0	2,83	2,36	2,10

Right Angle Receptacles

For quantities greater than listed, call for quote.

MOUSER STOCK NO.	Molex Part No.	Fig.	No. of Circuits	Dimensions: mm		Price Each		
				A	B	1	10	100
538-502585-0470	502585-0470	C	4	10.3	4.5	1,23	1,02	0,91
538-502585-0670	502585-0670	C	6	13.3	7.5	1,45	1,21	1,06
538-502585-0870	502585-0870	C	8	16.3	10.5	1,73	1,44	1,29
538-502585-1070	502585-1070	C	10	19.3	13.5	1,99	1,66	1,47
538-502585-1270	502585-1270	C	12	22.3	16.5	2,29	1,91	1,70
538-502585-1470	502585-1470	C	14	25.3	19.5	2,56	2,13	1,89
538-502585-1570	502585-1570	C	15	26.8	21.0	2,63	2,20	1,94

1.5MM CLIK-MATE CONNECTORS CONT.

Dual Row Crimp Plug Housings

For quantities greater than listed, call for quote.

MOUSER STOCK NO.	Molex Part No.	Fig.	No. of Circuits	Dimensions: mm		Price Each		
				A	B	1	10	100
538-503149-1200	503149-1200	D	12	13.3	7.5	0,40	0,358	0,288
538-503149-2000	503149-2000	D	20	19.3	13.5	0,68	0,613	0,485
538-503149-2800	503149-2800	D	28	25.3	19.5	0,92	0,828	0,657

Dual Row Vertical Receptacles

For quantities greater than listed, call for quote.

MOUSER STOCK NO.	Molex Part No.	Fig.	No. of Circuits	Dimensions: mm		Price Each		
				A	B	1	10	100
538-503154-1090	503154-1090	E	10	11.8	6	2,23	1,94	1,73
538-503154-1290	503154-1290	E	12	13.3	7.5	2,38	2,08	1,85
538-503154-1690	503154-1690	E	16	16.3	10.5	2,83	2,48	2,21
538-503154-2090	503154-2090	E	20	19.3	13.5	3,10	2,71	2,40
538-503154-2490	503154-2490	E	24	22.3	16.5	3,33	2,92	2,60
538-503154-2890	503154-2890	E	28	25.3	19.5	3,53	3,10	2,75

Dual Row Right Angle Receptacles

For quantities greater than listed, call for quote.

MOUSER STOCK NO.	Molex Part No.	Fig.	No. of Circuits	Dimensions: mm		Price Each		
				A	B	1	10	100
538-503148-1090	503148-1090	F	10	11.8	6	2,08	1,83	1,62
538-503148-1290	503148-1290	F	12	13.3	7.5	2,30	2,02	1,79
538-503148-1690	503148-1690	F	16	16.3	10.5	2,68	2,35	2,08
538-503148-2090	503148-2090	F	20	19.3	13.5	2,82	2,47	2,20
538-503148-2490	503148-2490	F	24	22.3	16.5	2,97	2,61	2,31

2.0MM CLIK-MATE CONNECTORS

Crimp Plug Housings

For quantities greater than listed, call for quote.

MOUSER STOCK NO.	Molex Part No.	Fig.	No. of Circuits	Dimensions: mm		Price Each		
				A	B	1	10	100
538-502439-0400	502439-0400	A	4	12.00	6.00	0,22	0,194	0,146
538-502439-0600	502439-0600	A	6	16.00	10.00	0,27	0,235	0,217
538-502439-0800	502439-0800	A	8	20.00	14.00	0,34	0,307	0,281
538-502439-1200	502439-1200	A	12	28.00	22.00	0,46	0,419	0,378
538-502439-1400	502439-1400	A	14	32.00	26.00	0,53	0,491	0,464

Vertical Headers

For quantities greater than listed, call for quote.

MOUSER STOCK NO.	Molex Part No.	Fig.	No. of Circuits	Dimensions: mm		Price Each		
				A	B	1	10	100
538-502443-0470	502443-0470	B	4	12.00	6.00	0,97	0,879	0,801
538-502443-0670	502443-0670	B	6	16.00	10.00	1,30	1,18	1,05
538-502443-0870	502443-0870	B	8	20.00	14.00	1,64	1,47	1,33
538-502443-1270	502443-1270	B	12	28.00	22.00	2,44	2,20	1,99
538-502443-1470	502443-1470	B	14	32.00	26.00	2,65	2,40	2,15

Right Angle Headers

For quantities greater than listed, call for quote.

MOUSER STOCK NO.	Molex Part No.	Fig.	No. of Circuits	Dimensions: mm		Price Each		
				A	B	1	10	100
538-502494-0470	502494-0470	C	4	12.00	6.00	1,03	0,94	0,844
538-502494-0670	502494-0670	C	6	16.00	10.00	1,34	1,21	1,07
538-502494-0870	502494-0870	C	8	20.00	14.00	1,70	1,53	1,38
538-502494-1270	502494-1270	C	12	28.00	22.00	2,58	2,31	2,07
538-502494-1470	502494-1470	C	14	32.00	26.00	2,72	2,44	2,20

Contacts

For quantities greater than listed, call for quote.

MOUSER STOCK NO.	Molex Part No.	Pitch (mm)	AWG	Plating	Price Each		
					1	10	100
538-502381-0000	502381-0000	1.25	26-28	Tin	0,08	0,068	0,063
538-502579-0000	502579-0000	1.5	24-28	Tin	0,12	0,112	0,106
538-502438-0100	502438-0100	2	22-26	Tin	0,10	0,092	0,086

Tooling

For quantities greater than listed, call for quote.

MOUSER STOCK NO.	Molex Part No.	Description	Price Each
538-63819-4400	63819-4400	Hand Crimp Tool 26-28 AWG	318,86
5			

MOLEX Pico-SPOX™ Connectors

1.50MM (.059") PITCH PICO-SPOX™ CONNECTORS

Features:

- Dual-point contact design for greater reliability
- Anti-fishhooking contact design to improve handling during harness assembly
- Locking tang on contact for secure retention to the housing
- Friction lock between receptacle housing and headers
- Insures secure retention when mounted
- Lead-in chamber on receptacle to ease mating
- Headers fully shrouded to protect pins
- Polarized mating geometry insures header and receptacle cannot be mis-mated
- Lead-free plating
- RoHS Compliant per Molex Documentation

Specifications:

- Current: 3.0A max.
- Voltage: 50V
- Terminal: Phosphor Bronze
- Pin: Brass
- Plating: Lead-free Tin
- Operating Temperature: -55°C to +105°C
- Contact Resistance: 40mΩ max.
- Dielectric Withstanding Voltage: 500VAC per minute
- Insulation Resistance: 1000MΩ min.



Vertical Header • Beige, Nylon 4/6 • UL94V-0

For quantities greater than listed, call for quote.

MOUSER STOCK NO.	Molex Part No.	Fig.	No. of Circuits	Overall Length (in.)	First-to-Last Circuit (in.)	Price Each			
						1	10	50	100
538-87437-0243	87437-0243	A	2	0.169	0.059	1,04	0,93	0,769	0,585
538-87437-0343	87437-0343	A	3	0.228	0.118	1,03	0,848	0,714	0,639
538-87437-0443	87437-0443	A	4	0.287	0.177	1,38	1,22	0,931	0,812
538-87437-0543	87437-0543	A	5	0.346	0.236	1,55	1,36	1,02	0,78
538-87437-0643	87437-0643	A	6	0.406	0.295	1,72	1,51	1,24	0,942
538-87437-0743	87437-0743	A	7	0.465	0.354	1,62	1,33	1,11	0,869
538-87437-0843	87437-0843	A	8	0.524	0.413	2,06	1,82	1,50	1,13
538-87437-0943	87437-0943	A	9	0.583	0.472	2,21	1,94	1,59	1,21
538-87437-1043	87437-1043	A	10	0.642	0.531	2,36	2,07	1,69	1,28
538-87437-1243	87437-1243	A	12	0.760	0.650	2,65	2,32	1,68	1,32
538-87437-1443	87437-1443	A	14	0.878	0.768	2,93	2,59	1,96	1,58
538-87437-1543	87437-1543	A	15	0.937	0.827	3,09	2,72	2,04	1,53

Right-Angle Header • Beige, Nylon 4/6 • UL94V-0

For quantities greater than listed, call for quote.

MOUSER STOCK NO.	Molex Part No.	Fig.	No. of Circuits	Overall Length (in.)	First-to-Last Circuit (in.)	Price Each			
						1	10	50	100
538-87438-0243	87438-0243	B	2	0.169	0.059	0,86	0,736	0,714	0,596
538-87438-0343	87438-0343	B	3	0.228	0.118	1,07	0,93	0,693	0,541
538-87438-0443	87438-0443	B	4	0.287	0.177	1,34	1,14	0,867	0,834
538-87438-0543	87438-0543	B	5	0.346	0.236	1,38	1,19	0,899	0,682
538-87438-0643	87438-0643	B	6	0.406	0.295	1,58	1,43	1,29	0,996
538-87438-0743	87438-0743	B	7	0.465	0.354	2,00	1,69	1,42	1,02
538-87438-0843	87438-0843	B	8	0.524	0.413	1,99	1,71	1,56	1,25
538-87438-0943	87438-0943	B	9	0.583	0.472	2,20	1,92	1,67	1,29
538-87438-1043	87438-1043	B	10	0.642	0.531	2,38	2,10	1,82	1,37
538-87438-1143	87438-1143	B	11	0.701	0.591	2,57	2,26	1,93	1,50
538-87438-1243	87438-1243	B	12	0.760	0.650	2,60	2,22	1,66	1,25
538-87438-1443	87438-1443	B	14	0.878	0.768	2,94	2,50	1,89	1,42
538-87438-1543	87438-1543	B	15	0.937	0.827	3,01	2,64	1,99	1,85

Housing • White, Nylon 6/6 • UL94V-0

For quantities greater than listed, call for quote.

MOUSER STOCK NO.	Molex Part No.	Fig.	No. of Circuits	Overall Length (in.)	First-to-Last Circuit (in.)	Price Each			
						1	10	50	100
538-87439-0200	87439-0200	C	2	0.161	0.059	0,24	0,215	0,173	0,141
538-87439-0300	87439-0300	C	3	0.220	0.118	0,28	0,235	0,173	0,14
538-87439-0400	87439-0400	C	4	0.280	0.177	0,29	0,256	0,217	0,172
538-87439-0500	87439-0500	C	5	0.339	0.236	0,29	0,256	0,216	0,161
538-87439-0600	87439-0600	C	6	0.398	0.295	0,36	0,296	0,26	0,215
538-87439-0700	87439-0700	C	7	0.457	0.354	0,41	0,347	0,271	0,205
538-87439-0800	87439-0800	C	8	0.516	0.413	0,42	0,368	0,324	0,251
538-87439-0900	87439-0900	C	9	0.575	0.472	0,44	0,388	0,325	0,238
538-87439-1000	87439-1000	C	10	0.634	0.531	0,45	0,388	0,292	0,216
538-87439-1100	87439-1100	C	11	0.693	0.591	0,46	0,399	0,291	0,227
538-87439-1200	87439-1200	C	12	0.752	0.650	0,16	0,153	0,148	0,141
538-87439-1400	87439-1400	C	14	0.870	0.768	0,51	0,45	0,335	0,26
538-87439-1500	87439-1500	C	15	0.929	0.827	0,54	0,47	0,389	0,281

CRIMP TERMINALS

Features:

- RoHS Compliant per Molex Documentation
- 24-30 AWG

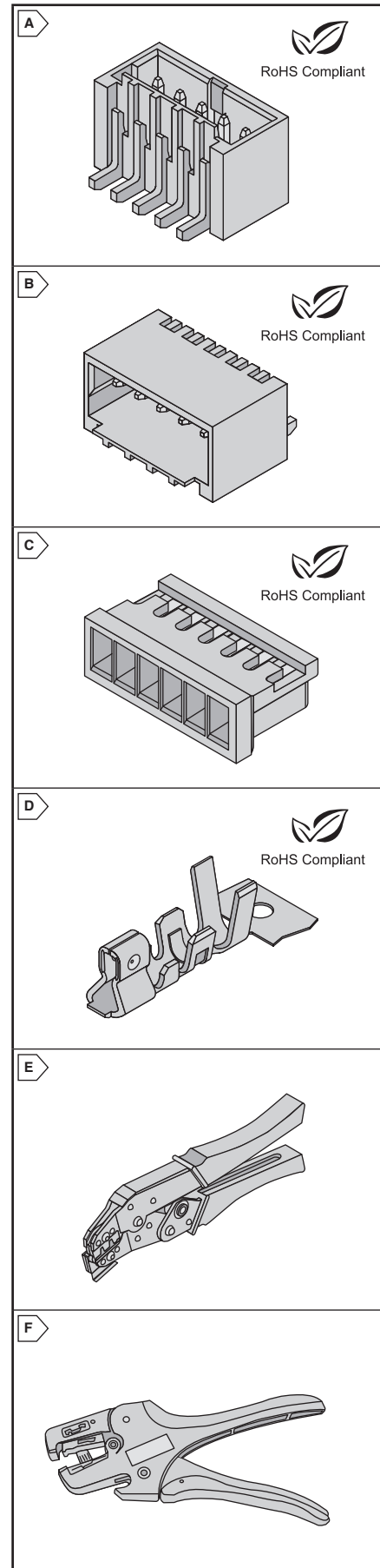
For quantities greater than listed, call for quote.

MOUSER STOCK NO.	Molex Part No.	Fig.	Contact	Plating	Price Each			
					1	100	500	1000
538-87421-0000	87421-0000	D	Phosphor Bronze	Tin	0,05	0,031	0,022	0,02

TOOLS

For quantities greater than listed, call for quote.

MOUSER STOCK NO.	Molex Part No.	Fig.	Description	Price Each	
				1	5
538-63811-6400	63811-6400	E	Hand Crimp Tool, 24-30 AWG	288,89	255,74
538-63817-0000	63817-0000	F	Manual Wire Stripper	79,72	74,67
538-63817-0070	63817-0070	- - -	Straight Blade Replacement Cassette	37,13	34,23
538-63817-0071	63817-0071	- - -	V Blade Replacement Cassette	32,42	29,17



Rectangular Connectors Molex

MOLEX 2mm iGrid™ Connectors



This page of product is compliant.

iGrid™ is a 2.00mm grid wire to board connector system. This dual row micro connector features an internal positive latch which prevents accidental disengagement and allows to be used in high vibration environments.

Features:

- Compact design
- High density
- Polarization
- Mating guide
- Audible click on positive inner latch
- High retention force

Specifications:

- Current rating: 2A
- Voltage Rating: 250V
- Wire gauge: 22-28
- Max insulation diameter: 1.50mm
- Operating Temp: -25°C - +85°C

Applications:

- Appliances
- HVAC
- Security systems
- GPS
- Medical
- Gaming/Amusement

HOUSINGS

- 66Nylon UL94V-0
- Natural color
- Width: 8.2mm
- Height: 10.55mm

For quantities greater than listed, call for quote.

MOUSER STOCK NO.	Molex Part No.	Fig.	Number of Circuits	Dimensions (mm)		Price Each			
				Overall Length	First-to-Last Circuit	1	10	100	500
538-501646-1000	501646-1000	A	10	12.00	8.00	2,57	2,26	1,50	1,20
538-501646-1200	501646-1200	A	12	14.00	10.00	2,23	2,00	1,64	1,31
538-501646-1400	501646-1400	A	14	16.00	12.00	1,25	1,10	0,738	0,591
538-501646-1600	501646-1600	A	16	18.00	14.00	1,30	1,13	0,762	0,609
538-501646-1800	501646-1800	A	18	20.00	16.00	2,68	2,41	1,83	1,62
538-501646-2000	501646-2000	A	20	22.00	18.00	1,75	1,53	1,02	0,823
538-501646-2200	501646-2200	A	22	24.00	20.00	3,54	3,19	2,51	2,16
538-501646-2400	501646-2400	A	24	26.00	22.00	1,94	1,72	1,14	0,918
538-501646-2600	501646-2600	A	26	28.00	24.00	3,38	2,98	1,99	1,58
538-501646-2800	501646-2800	A	28	30.00	26.00	3,49	3,08	2,04	1,64
538-501646-3000	501646-3000	A	30	32.00	28.00	3,66	3,21	2,14	1,71
538-501646-3200	501646-3200	A	32	34.00	30.00	3,84	3,38	2,26	1,81
538-501646-3400	501646-3400	A	34	36.00	32.00	4,00	3,52	2,35	1,87
538-501646-3600	501646-3600	A	36	38.00	34.00	5,28	4,74	3,57	3,20
538-501646-3800	501646-3800	A	38	40.00	36.00	4,02	3,62	3,25	2,94
538-501646-4000	501646-4000	A	40	42.00	38.00	4,23	3,81	3,43	3,09

VERTICAL HEADERS

- 66Nylon UL94V-0
- Pin: Brass, Tin over copper
- Natural color
- Width: 8.2mm
- Height: 11.55mm

For quantities greater than listed, call for quote.

MOUSER STOCK NO.	Molex Part No.	Fig.	Number of Circuits	Dimensions (mm)		Price Each			
				Overall Length	First-to-Last Circuit	1	10	100	500
538-501645-1020	501645-1020	B	10	12.00	8.00	1,30	1,14	0,765	0,611
538-501645-1220	501645-1220	B	12	14.00	10.00	1,71	1,52	1,37	1,05
538-501645-1420	501645-1420	B	14	16.00	12.00	1,45	1,28	0,844	0,682
538-501645-1620	501645-1620	B	16	18.00	14.00	1,46	1,29	0,863	0,69
538-501645-1820	501645-1820	B	18	20.00	16.00	1,67	1,46	0,979	0,783
538-501645-2020	501645-2020	B	20	22.00	18.00	2,92	2,63	1,99	1,77
538-501645-2220	501645-2220	B	22	24.00	20.00	1,92	1,69	1,12	0,905
538-501645-2420	501645-2420	B	24	26.00	22.00	2,13	1,87	1,24	1,00
538-501645-2620	501645-2620	B	26	28.00	24.00	3,82	3,36	2,24	1,78
538-501645-2820	501645-2820	B	28	30.00	26.00	4,35	3,83	3,04	2,75
538-501645-3020	501645-3020	B	30	32.00	28.00	4,53	3,99	3,22	2,89
538-501645-3220	501645-3220	B	32	34.00	30.00	4,71	4,16	3,37	3,04
538-501645-3420	501645-3420	B	34	36.00	32.00	4,89	4,30	3,54	3,18
538-501645-3620	501645-3620	B	36	38.00	34.00	5,50	4,89	3,24	2,60
538-501645-3820	501645-3820	B	38	40.00	36.00	5,03	4,54	4,08	3,67
538-501645-4020	501645-4020	B	40	42.00	38.00	3,43	3,09	2,78	2,49

RIGHT-ANGLE HEADERS

- 66Nylon UL94V-0
- Pin: Brass, Tin over copper
- Natural color
- Width: 14.5mm
- Height: 8.3mm

For quantities greater than listed, call for quote.

MOUSER STOCK NO.	Molex Part No.	Fig.	Number of Circuits	Dimensions (mm)		Price Each			
				Overall Length	First-to-Last Circuit	1	10	100	500
538-501876-1040	501876-1040	C	10	12.00	8.00	1,55	1,37	0,918	0,734
538-501876-1240	501876-1240	C	12	14.00	10.00	1,69	1,50	1,01	0,805
538-501876-1440	501876-1440	C	14	16.00	12.00	1,86	1,61	1,07	0,87
538-501876-1640	501876-1640	C	16	18.00	14.00	2,01	1,76	1,18	0,945
538-501876-2440	501876-2440	C	24	26.00	22.00	2,82	2,48	1,66	1,32
538-501876-2640	501876-2640	C	26	28.00	24.00	3,66	3,29	2,46	2,22
538-501876-3440	501876-3440	C	34	36.00	32.00	4,58	4,12	3,14	2,78
538-501876-3640	501876-3640	C	36	38.00	34.00	5,16	4,64	3,49	3,14
538-501876-3840	501876-3840	C	38	40.00	36.00	4,26	3,83	3,45	3,11
538-501876-4040	501876-4040	C	40	42.00	38.00	4,66	4,20	3,77	3,39

TERMINALS

- Female

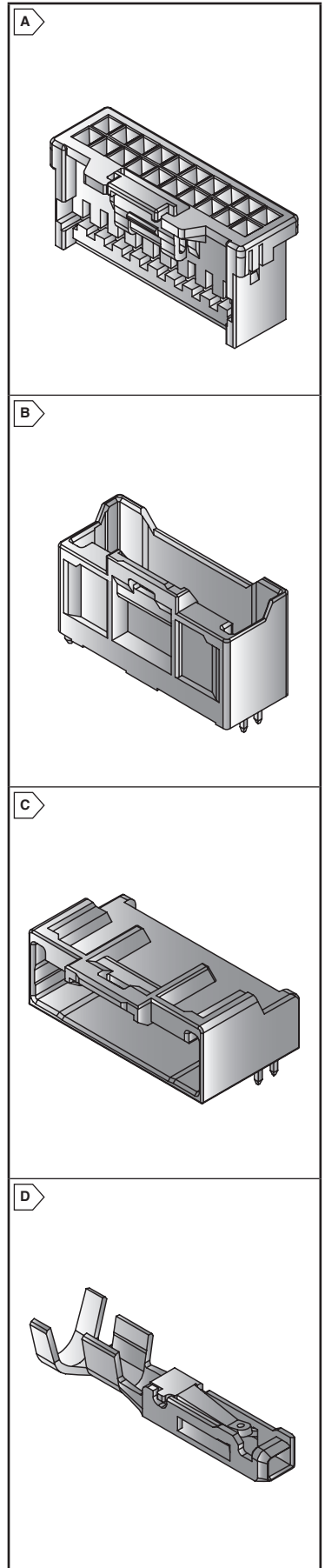
For quantities greater than listed, call for quote.

MOUSER STOCK NO.	Molex Part No.	Fig.	AWG	Contact	Plating	Price Each			
						1	10	100	500
538-501647-1000	501647-1000	D	22-26	Copper Alloy	Tin	0,10	0,085	0,078	0,066
538-501648-1000	501648-1000	D	26-28	Copper Alloy	Tin	0,13	0,123	0,119	0,108

TOOLING

For quantities greater than listed, call for quote.

MOUSER STOCK NO.	Molex Part No.	Fig.	Description	Price Each
538-63819-2300	63819-2300	--	Crimp Hand Tool for 501647-1000	318,86
538-63819-2400	63819-2400	--	Crimp Hand Tool for 501648-1000	318,86



MOLEX 2.00mm Mi II™ Connectors

RoHS Compliant This product is RoHS compliant.

2.00MM (0.79") MI II™ WIRE-TO-BOARD HOUSINGS

Features:

- Sizes 2 to 15 circuits
- UL File No.: E29179-K
- Mates With: 53324, 53325 and 55460
- Use With: 50212
- Contact Resistance: 20 mΩ (max)
- Dielectric Withstanding Voltage: 500V
- Insulation Resistance: 1000 MΩ (min)
- Housing: PBT, UL 94V-0
- Operating Temperature: -40 to + 105°C
- Voltage: 125V
- Current:

AWG	24	26	28	30
AMPS	2.0A	1.5A	1.0A	0.5A



RoHS Compliant

For quantities greater than listed, call for quote.

MOUSER STOCK NO.	Molex Part No.	Fig.	No. of Contacts	Dimensions: mm (in.)			Price Each			
				A	B	C	1	10	100	500
Single Row Crimp										
538-51090-0200	51090-0200	A	2	6.9	3.9	5.7	0,15	0,133	0,13	0,117
538-51090-0300	51090-0300	A	3	8.9	3.9	5.7	0,22	0,204	0,194	0,146
538-51090-0400	51090-0400	A	4	10.9	3.9	5.7	0,22	0,194	0,169	0,142
538-51090-0500	51090-0500	A	5	12.9	3.9	5.7	0,32	0,266	0,227	0,188
538-51090-0600	51090-0600	A	6	14.9	3.9	5.7	0,35	0,276	0,227	0,207
538-51090-0700	51090-0700	A	7	16.9	3.9	5.7	0,32	0,273	0,184	0,153
538-51090-0800	51090-0800	A	8	18.9	3.9	5.7	0,38	0,322	0,221	0,177
538-51090-0900	51090-0900	A	9	20.9	3.9	5.7	0,36	0,293	0,21	0,173
538-51090-1000	51090-1000	A	10	22.9	3.9	5.7	0,38	0,231	0,201	0,168
538-51090-1100	51090-1100	A	11	24.9	3.9	5.7	0,46	0,399	0,273	0,219
538-51090-1200	51090-1200	A	12	26.9	3.9	5.7	0,46	0,384	0,261	0,21
538-51090-1300	51090-1300	A	13	28.9	3.9	5.7	0,51	0,447	0,297	0,25
538-51090-1400	51090-1400	A	14	30.9	3.9	5.7	0,50	0,388	0,294	0,24
538-51090-1500	51090-1500	A	15	32.9	3.9	5.7	0,65	0,572	0,389	0,313

2.00MM (0.79") MI II™ WIRE-TO-BOARD HEADERS

Features:

- Sizes 2 to 15 circuits
- Outer pins are kinked
- UL File No. E29179
- Mates With: 51090
- Contact Resistance: 20 mΩ (max)
- Dielectric Withstanding Voltage: 500V
- Insulation Resistance: 1000 MΩ (min)
- Housing: Glass-filled PBT, UL 94V-0
- Contact: Brass
- Plating: Tin
- Operating Temperature: -40 to + 105°C
- Voltage: 125V
- Current:

AWG	24	26	28	30
AMPS	2.0A	1.5A	1.0A	0.5A



RoHS Compliant

For quantities greater than listed, call for quote.

MOUSER STOCK NO.	Molex Part No.	Fig.	No. of Contacts	Dimensions: mm (in.)			Price Each			
				A	B	C	1	10	100	500
Single Row Vertical										
538-53324-0260	53324-0260	B	2	7.3	4.55	6.00	0,52	0,429	0,324	0,26
538-53324-0360	53324-0360	B	3	9.3	4.55	6.00	0,31	0,294	0,294	0,294
538-53324-0460	53324-0460	B	4	11.3	4.55	6.00	0,43	0,399	0,388	0,357
538-53324-0560	53324-0560	B	5	13.3	4.55	6.00	0,73	0,654	0,573	0,455
538-53324-0660	53324-0660	B	6	15.3	4.55	6.00	0,57	0,53	0,501	0,41
538-53324-0760	53324-0760	B	7	17.3	4.55	6.00	1,21	1,01	0,736	0,617
538-53324-0860	53324-0860	B	8	19.3	4.55	6.00	1,33	1,19	0,866	0,693
538-53324-0960	53324-0960	B	9	21.3	4.55	6.00	1,55	1,36	0,91	0,726
538-53324-1060	53324-1060	B	10	23.3	4.55	6.00	1,65	1,40	0,964	0,769
538-53324-1160	53324-1160	B	11	25.3	4.55	6.00	1,72	1,47	1,01	0,801
538-53324-1260	53324-1260	B	12	27.3	4.55	6.00	1,81	1,53	1,05	0,844
538-53324-1360	53324-1360	B	13	29.3	4.55	6.00	1,88	1,62	1,10	0,877
538-53324-1460	53324-1460	B	14	31.3	4.55	6.00	1,96	1,69	1,14	0,92
538-53324-1560	53324-1560	B	15	33.3	4.55	6.00	2,04	1,75	1,20	0,953
Single Row Right Angle										
538-53325-0260	53325-0260	C	2	7.3	4.85	7.95	0,80	0,695	0,46	0,372
538-53325-0360	53325-0360	C	3	9.3	4.85	7.95	0,53	0,491	0,455	0,422
538-53325-0460	53325-0460	C	4	11.3	4.85	7.95	1,11	0,981	0,649	0,519
538-53325-0560	53325-0560	C	5	13.3	4.85	7.95	1,18	0,93	0,693	0,596
538-53325-0660	53325-0660	C	6	15.3	4.85	7.95	1,45	1,28	0,853	0,679
538-53325-0760	53325-0760	C	7	17.3	4.85	7.95	1,61	1,42	0,953	0,755
538-53325-0860	53325-0860	C	8	19.3	4.85	7.95	1,78	1,56	1,01	0,832
538-53325-0960	53325-0960	C	9	21.3	4.85	7.95	1,91	1,53	1,05	0,898
538-53325-1060	53325-1060	C	10	23.3	4.85	7.95	2,08	1,69	1,14	0,975
538-53325-1160	53325-1160	C	11	25.3	4.85	7.95	2,24	1,79	1,24	1,04
538-53325-1260	53325-1260	C	12	27.3	4.85	7.95	2,40	1,94	1,33	1,12
538-53325-1360	53325-1360	C	13	29.3	4.85	7.95	2,85	2,50	1,67	1,33
538-53325-1560	53325-1560	C	15	33.3	4.85	7.95	3,21	2,83	1,89	1,50
Surface Mount										
538-55460-0272	55460-0272	D	2	7.7	4.55	7.00	0,78	0,675	0,455	0,357
538-55460-0372	55460-0372	D	3	9.7	4.55	7.00	1,13	0,991	0,66	0,444
538-55460-0572	55460-0572	D	5	13.7	4.55	7.00	1,33	1,15	0,777	0,644
538-55460-0672	55460-0672	D	6	15.7	4.55	7.00	1,10	0,964	0,643	0,51
538-55460-0872	55460-0872	D	8	19.7	4.55	7.00	2,13	1,87	1,24	0,833
538-55460-1072	55460-1072	D	10	23.7	4.55	7.00	2,69	2,37	1,57	1,05

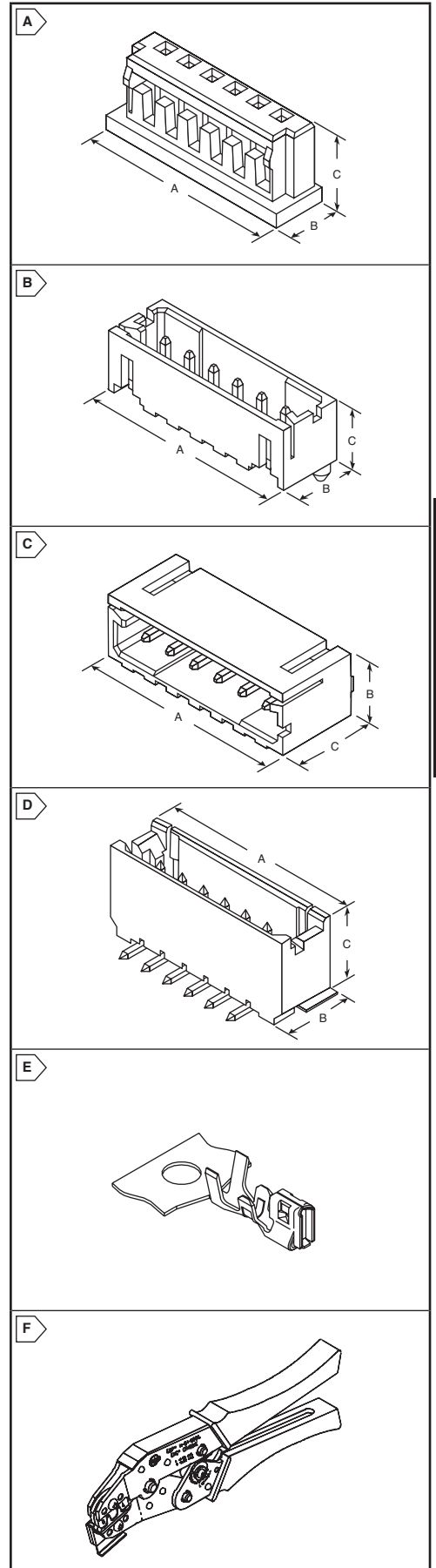
Terminal

For quantities greater than listed, call for quote.

MOUSER STOCK NO.	Molex Part No.	Fig.	Description	Price Each			
				1	10	100	500
538-50212-8100	50212-8100	E	Female Wire-To-Board Crimp Terminal	0,24	0,186	0,162	0,137

Tooling

MOUSER STOCK NO.	Molex Part No.	Fig.	Description	Price Each
538-63819-0500	63819-0500	F	Hand Crimper	274,91
538-11-03-0043	11-03-0043	-	Extraction Tool	32,59



Rectangular Connectors

Molex

MOLEX MicroClasp™ Connectors

MOLEX 2.0MM (.079") RECEPTACLES AND HEADERS DUAL ROW - WIRE-TO-BOARD

The original application for the MicroClasp™ connector system was Pachinko (gaming) machines. Most of these machines previously used 2.50mm pitch WTB systems with outer positive locks. As pachinko boards became higher density with more functions, makers were looking for a smaller connector that was also easy to install. Easy installation is important because new game upgrades on daughterboard modules would be installed on-site by pachinko parlor employees. Molex developed the 2.0mm MicroClasp™ system to meet these various needs. Notches would sometimes have to be cut into panels to accommodate the old 2.50mm pitch outer-style positive lock types, but not with MicroClasp™. The smaller pitch and inner positive lock saved space and are easy to actuate in high density areas. And a unique low insertion force terminal makes it easy for operators to insert/extract connectors. In addition, MicroClasp™ is among the smallest of its kind to carry 3.0 Amps as most 2.0mm pitch systems can only accommodate 2.0 Amps. The extra signal power and space savings is important so Pachinko makers and other equipment makers can offer more high-end graphics/sound/etc in smaller spaces.

Features:

- Two point contact design for greater reliability
- Locking tang on contact for secure retention to the housing
- Positive lock on the housing assures secure retention when mated to a header
- Polarized mating geometry assures housings cannot be mated to headers
- Headers fully shrouded to protect pins
- Lead-free plating
- Headers - through hole mounting

Electrical:

- Current: 3.0A max
- Voltage: 250V

Physical:

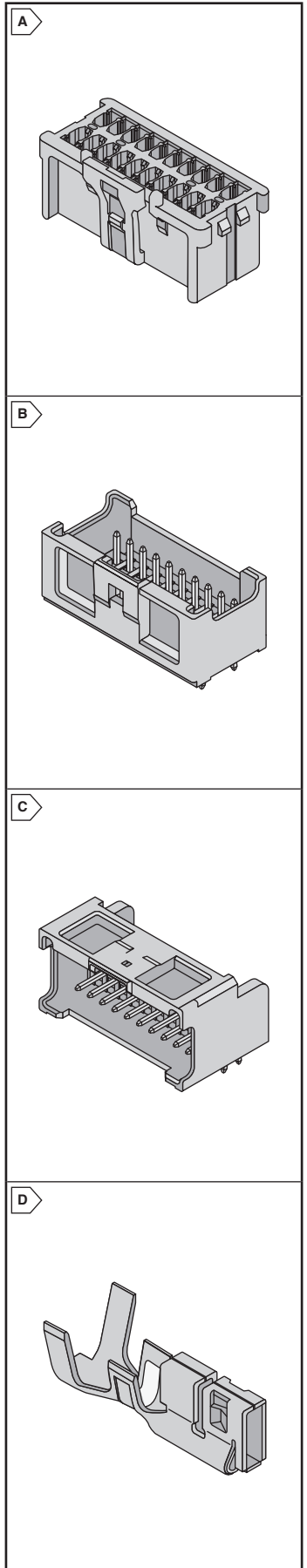
- Receptacles / Headers: White, Nylon 6/6, UL 94V-0
- Pin: Brass
- Plating: Lead-free Tin
- Operating Temperature: -25°C to +85°C

Applications:

- Coin Operated Devices
- Power Tools
- Alarms / Security systems
- Washers / Dryers
- Medical (Hospital beds, Patient monitors)
- HVAC
- Power supplies
- Exercise equipment

For quantities greater than listed, call for quote.

MOUSER STOCK NO.	Molex Part No.	Fig.	No. of Contacts	Overall Length (in.)	First-to-Last Circuit (in.)	Price Each				
						1	10	25	50	100
Receptacle Housings										
538-51353-0800	51353-0800	A	8	0.449	0.236	0,26	0,235	0,216	0,194	0,173
538-51353-1000	51353-1000	A	10	0.528	0.315	0,38	0,327	0,32	0,261	0,248
538-51353-1200	51353-1200	A	12	0.606	0.394	0,41	0,378	0,346	0,292	0,271
538-51353-1400	51353-1400	A	14	0.685	0.472	0,41	0,363	0,346	0,314	0,291
538-51353-1600	51353-1600	A	16	0.764	0.551	0,56	0,501	0,464	0,369	0,357
538-51353-1800	51353-1800	A	18	0.843	0.630	0,75	0,664	0,618	0,487	0,427
538-51353-2000	51353-2000	A	20	0.921	0.709	0,61	0,552	0,509	0,411	0,389
538-51353-2200	51353-2200	A	22	1.000	0.787	0,76	0,664	0,619	0,512	0,489
538-51353-2400	51353-2400	A	24	1.079	0.866	0,95	0,952	0,952	0,952	0,952
538-51353-2600	51353-2600	A	26	1.157	0.945	1,03	0,971	0,929	0,905	0,881
538-51353-2800	51353-2800	A	28	1.236	1.024	0,94	0,848	0,808	0,749	0,726
538-51353-3000	51353-3000	A	30	1.315	1.102	1,17	1,14	1,12	1,10	0,834
538-51353-3200	51353-3200	A	32	1.394	1.181	1,14	1,09	1,04	0,822	0,789
538-51353-3400	51353-3400	A	34	1.472	1.260	1,52	1,45	1,39	1,35	1,02
538-51353-3600	51353-3600	A	36	1.551	1.339	1,56	1,49	1,41	1,35	1,29
538-51353-3800	51353-3800	A	38	1.630	1.417	1,65	1,57	1,49	1,43	1,36
538-51353-4000	51353-4000	A	40	1.709	1.437	1,40	1,35	1,28	1,22	1,17
Vertical Headers										
538-55917-0810	55917-0810	B	8	0.449	0.236	0,49	0,428	0,40	0,365	0,335
538-55917-1010	55917-1010	B	10	0.528	0.315	0,51	0,45	0,432	0,344	0,305
538-55917-1210	55917-1210	B	12	0.606	0.394	0,75	0,572	0,521	0,48	0,438
538-55917-1410	55917-1410	B	14	0.685	0.472	0,63	0,473	0,44	0,403	0,438
538-55917-1610	55917-1610	B	16	0.764	0.551	0,74	0,595	0,54	0,502	0,483
538-55917-1810	55917-1810	B	18	0.843	0.630	0,94	0,92	0,899	0,877	0,663
538-55917-2010	55917-2010	B	20	0.921	0.709	1,02	0,991	0,956	0,911	0,641
538-55917-2210	55917-2210	B	22	1.000	0.787	1,02	0,991	0,955	0,91	0,842
538-55917-2410	55917-2410	B	24	1.079	0.866	0,92	0,869	0,832	0,787	0,719
538-55917-2610	55917-2610	B	26	1.157	0.945	1,35	1,30	1,21	1,12	1,01
538-55917-2810	55917-2810	B	28	1.236	1.024	1,52	1,49	1,28	1,09	1,06
538-55917-3010	55917-3010	B	30	1.315	1.102	1,52	1,49	1,28	1,09	1,06
538-55917-3210	55917-3210	B	32	1.394	1.181	2,03	1,87	1,79	1,71	1,34
538-55917-3410	55917-3410	B	34	1.472	1.260	2,03	1,87	1,79	1,71	1,34
538-55917-3610	55917-3610	B	36	1.551	1.339	2,11	1,95	1,87	1,79	1,70
538-55917-3810	55917-3810	B	38	1.630	1.417	2,11	1,95	1,87	1,85	1,70
538-55917-4010	55917-4010	B	40	1.709	1.496	2,11	1,95	1,87	1,85	1,70
Right-Angle Headers										
538-55959-0830	55959-0830	C	8	0.449	0.236	0,78	0,744	0,709	0,67	0,601
538-55959-1030	55959-1030	C	10	0.528	0.315	0,87	0,797	0,747	0,693	0,671
538-55959-1230	55959-1230	C	12	0.606	0.394	1,06	1,00	0,964	0,921	0,812
538-55959-1430	55959-1430	C	14	0.685	0.472	1,33	1,20	1,10	0,877	0,758
538-55959-1630	55959-1630	C	16	0.764	0.551	1,04	0,93	0,877	0,726	0,704
538-55959-1830	55959-1830	C	18	0.843	0.630	1,31	1,25	1,20	1,02	0,953
538-55959-2030	55959-2030	C	20	0.921	0.709	1,07	0,991	0,954	0,796	0,742
538-55959-2230	55959-2230	C	22	1.000	0.787	1,41	1,32	1,27	0,985	0,931
538-55959-2430	55959-2430	C	24	1.079	0.866	2,59	2,30	2,30	2,30	2,30
538-55959-2630	55959-2630	C	26	1.157	0.945	1,60	1,56	1,51	1,46	1,42
538-55959-2830	55959-2830	C	28	1.236	1.024	1,68	1,65	1,60	1,56	1,51
538-55959-3030	55959-3030	C	30	1.315	1.102	1,74	1,67	1,60	1,56	1,51
538-55959-3230	55959-3230	C	32	1.394	1.181	1,93	1,88	1,85	1,81	1,78
538-55959-3430	55959-3430	C	34	1.472	1.260	1,93	1,88	1,85	1,20	1,15
538-55959-3630	55959-3630	C	36	1.551	1.339	2,15	2,12	2,08	2,06	2,01
538-55959-4030	55959-4030	C	40	1.709	1.496	4,00	4,00	4,00	4,00	4,00



Molex Rectangular Connectors

Contact - Female



RoHS Compliant For quantities greater than listed, call for quote.

MOUSER STOCK NO.	Molex Part No.	Fig.	Description	Price Each			
				1	100	500	1000
538-56134-9100	56134-9100	D	22-28AWG	0,07	0,054	0,053	0,052

Tool

For quantities greater than listed, call for quote.

MOUSER STOCK NO.	Molex Part No.	Description	Price Each
538-63811-6300	63811-6300	Hand Crimper	317,84

MOLEX Sherlock™ Connectors

molex
one company a world of innovation

RoHS Compliant This product is RoHS compliant.

SHERLOCK™ 2.0mm (.079") PITCH SINGLE-ROW CONNECTORS WIRE-TO-BOARD

Originally developed for PC monitor applications, this 2.0mm pitch system can also be used for other applications that require space savings and secure locking features.



RoHS Compliant

Features:

- Low-profile compact design
- Positive locking ribs
- Polarizing guide wall
- Low-insertion force terminal
- Box-style contact design
- Fully-shrouded header
- 2.0mm Pitch

Applications:

- PC Monitor
- TV
- VCR
- Printer
- Instrumentation
- Air Conditioner
- Vending Machine

Specifications:

- Voltage: 125V
- Current: 2.0A max.
- Contact Resistance: 20mΩ max.
- Dielectric Withstanding Voltage: 500V
- Insulation Resistance: 1000 MΩ min.
- Housings: Polyamide, UL 94V-0
- Operating Temperature: -40°C to +105°C
- AWG: 24-30
- RoHS Compliant per Molex documentation

Housings

- Mating Height: 7.2mm
- Mating Width: 5.8mm

For quantities greater than listed, call for quote.

MOUSER STOCK NO.	Molex Part No.	Fig.	No. of Contacts	Dimensions: mm (in.)		Price Each			
				A	B	1	10	100	500
538-35507-0200	35507-0200	A	2	7.20 (.283)	2.00 (.079)	0,23	0,184	0,128	0,101
538-35507-0300	35507-0300	A	3	9.20 (.362)	4.00 (.157)	0,23	0,195	0,128	0,098
538-35507-0400	35507-0400	A	4	10.30 (.406)	6.00 (.236)	0,28	0,245	0,161	0,13
538-35507-0500	35507-0500	A	5	12.30 (.484)	8.00 (.315)	0,27	0,242	0,168	0,128
538-35507-0600	35507-0600	A	6	14.30 (.563)	10.00 (.394)	0,31	0,261	0,177	0,138
538-35507-0700	35507-0700	A	7	16.30 (.642)	12.00 (.472)	0,32	0,263	0,18	0,143
538-35507-0800	35507-0800	A	8	18.30 (.720)	14.00 (.551)	0,41	0,347	0,237	0,183
538-35507-0900	35507-0900	A	9	20.30 (.799)	16.00 (.630)	0,42	0,368	0,248	0,194
538-35507-1000	35507-1000	A	10	22.30 (.878)	18.00 (.709)	0,44	0,388	0,26	0,205
538-35507-1100	35507-1100	A	11	24.30 (.957)	20.00 (.787)	0,45	0,399	0,26	0,205
538-35507-1200	35507-1200	A	12	26.30 (1.035)	22.00 (.866)	0,48	0,419	0,281	0,227
538-35507-1400	35507-1400	A	14	30.30 (1.193)	26.00 (1.024)	0,51	0,429	0,346	0,26
538-35507-1500	35507-1500	A	15	32.30 (1.272)	28.00 (1.102)	0,64	0,531	0,432	0,324
538-35507-2000	35507-2000	A	20	42.30 (1.665)	38.00 (1.496)	0,74	0,613	0,486	0,368



RoHS Compliant

For quantities greater than listed, call for quote.

Vertical Headers

MOUSER STOCK NO.	Molex Part No.	Fig.	No. of Contacts	Dimensions: mm (in.)		Price Each			
				A	B	1	10	100	500
538-35362-0250	35362-0250	B	2	7.70 (.303)	2.00 (.079)	0,25	0,212	0,152	0,143
538-35362-0350	35362-0350	B	3	9.70 (.382)	4.00 (.157)	0,28	0,237	0,171	0,16
538-35362-0450	35362-0450	B	4	10.30 (.406)	6.00 (.236)	0,57	0,48	0,335	0,271
538-35362-0550	35362-0550	B	5	12.30 (.484)	8.00 (.315)	0,70	0,593	0,411	0,324
538-35362-0650	35362-0650	B	6	14.30 (.563)	10.00 (.394)	0,77	0,664	0,444	0,357
538-35362-0750	35362-0750	B	7	16.30 (.642)	12.00 (.472)	0,75	0,664	0,487	0,401
538-35362-0850	35362-0850	B	8	18.30 (.720)	14.00 (.551)	1,00	0,838	0,585	0,465
538-35362-0950	35362-0950	B	9	20.30 (.799)	16.00 (.630)	0,92	0,726	0,629	0,509
538-35362-1050	35362-1050	B	10	22.30 (.878)	18.00 (.709)	0,95	0,726	0,617	0,552
538-35362-1150	35362-1150	B	11	24.30 (.957)	20.00 (.787)	1,25	1,05	0,736	0,585
538-35362-1250	35362-1250	B	12	26.30 (1.035)	22.00 (.866)	1,32	1,13	0,769	0,617
538-35362-1350	35362-1350	B	13	28.30 (1.114)	24.00 (.945)	1,09	0,807	0,628	0,53
538-35362-1450	35362-1450	B	14	30.30 (1.193)	26.00 (1.024)	1,14	1,09	0,867	0,519
538-35362-1550	35362-1550	B	15	32.30 (1.272)	28.00 (1.102)	1,21	0,92	0,671	0,649
538-35362-2050	35362-2050	B	20	42.30 (1.665)	38.00 (1.496)	1,73	1,61	1,38	1,03

Right-Angle Headers

For quantities greater than listed, call for quote.

MOUSER STOCK NO.	Molex Part No.	Fig.	No. of Contacts	Dimensions: mm (in.)		Price Each			
				A	B	1	10	100	500
538-35363-0260	35363-0260	C	2	7.70 (.303)	2.00 (.079)	0,44	0,38	0,26	0,205
538-35363-0360	35363-0360	C	3	9.70 (.382)	4.00 (.157)	0,59	0,511	0,346	0,27
538-35363-0460	35363-0460	C	4	10.30 (.406)	6.00 (.236)	0,63	0,562	0,368	0,292
538-35363-0560	35363-0560	C	5	12.30 (.484)	8.00 (.315)	0,77	0,664	0,444	0,346
538-35363-0660	35363-0660	C	6	14.30 (.563)	10.00 (.394)	0,82	0,726	0,476	0,368
538-35363-0860	35363-0860	C	8	18.30 (.720)	14.00 (.551)	1,06	0,879	0,585	0,498
538-35363-0960	35363-0960	C	9	20.30 (.799)	16.00 (.630)	1,14	1,00	0,671	0,53
538-35363-1060	35363-1060	C	10	22.30 (.878)	18.00 (.709)	1,25	1,10	0,736	0,585
538-35363-1260	35363-1260	C	12	26.30 (1.035)	22.00 (.866)	1,19	1,04	0,79	0,649
538-35363-1460	35363-1460	C	14	30.30 (1.193)	26.00 (1.024)	1,01	0,961	0,585	0,552
538-35363-1560	35363-1560	C	15	32.30 (1.272)	28.00 (1.102)	1,11	0,991	0,91	0,628
538-35363-2060	35363-2060	C	20	42.30 (1.665)	38.00 (1.496)	1,56	1,55	1,24	0,942

Terminals

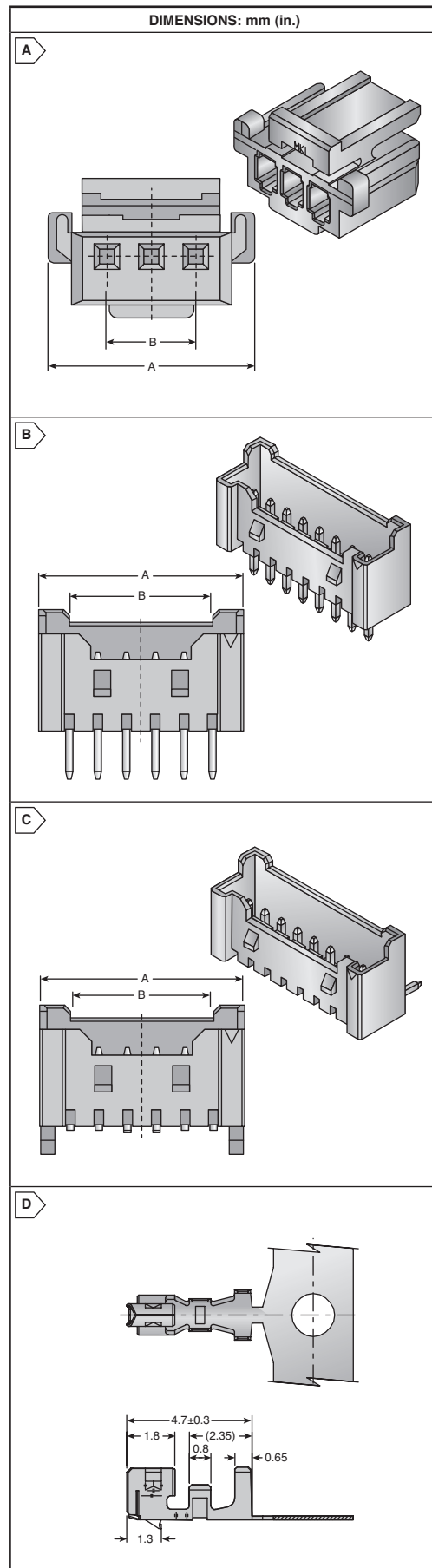
- Spring-box design with internal cat-ear contact points.

For quantities greater than listed, call for quote.

MOUSER STOCK NO.	Molex Part No.	Fig.	AWG	Contact	Plating	Price Each			
						1	10	100	500
538-50212-8100	50212-8100	D	24 - 30	Phosphor Bronze	Tin	0,24	0,162	0,137	0,125

Tools

MOUSER STOCK NO.	Molex Part No.	Fig.	Description	Price Each
538-63819-0500	63819-0500	-	Hand Crimper	274,91



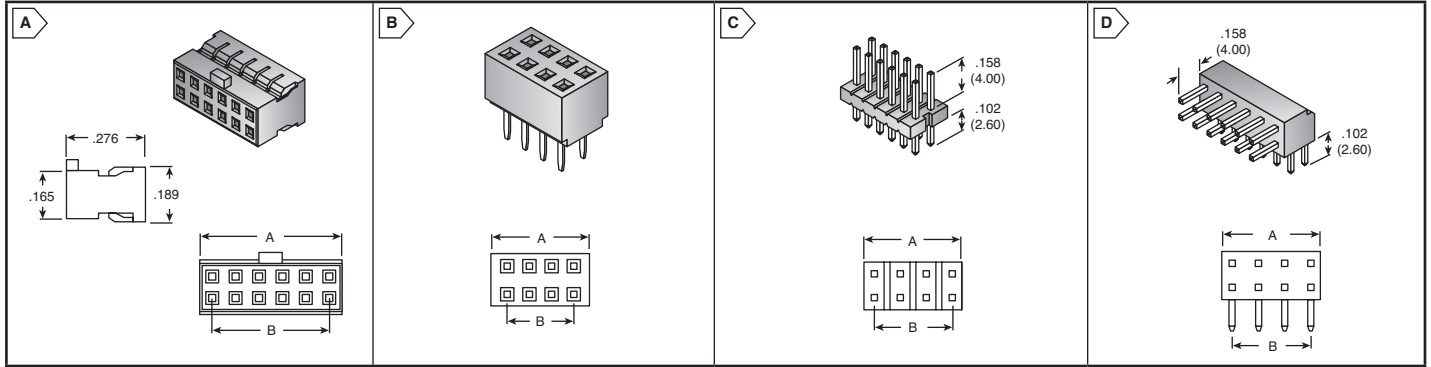
Rectangular Connectors

Molex

MOLEX 2mm Milli-Grid™ Connectors

molex
one company • a world of innovation

RoHS Compliant This product is RoHS compliant.



2.00MM (.079") CRIMP HOUSINGS VERTICAL DUAL ROW

- Front latches for added retention forces after mating
- Mates with 0.50mm square pin headers
- Housing: Black glass filled polyester, UL 94V-0
- Operating Temperature: -55°C to +105°C
- End-to-end and Side-to-side stackable
- AWG: 24-30



LR19980 E29179

2.00MM (.079") VERTICAL HEADERS

- End-to-end stackable
- Mates with Milli-Grid Receptacles, Series 79107
- Surface Mount Compatible
- Housing: High temperature 4/6 nylon, UL 94V-0
- Contact: Phosphor bronze, 0.50mm square
- Plating: 15µ" select gold
- Operating Temperature: -55°C to +150°C
- PCB Thickness: 1.60 ± 0.10mm



LR19980 E29179

For quantities greater than listed, call for quote.

MOUSER STOCK NO.	Molex Part No.	Fig.	No. of Circuits	Dimensions:mm		Price Each		
				A	B	1	10	100
With Polarization Keys								
* 538-511100851	51110-0851	A	8	8.20	6.00	0,44	0,419	0,284
* 538-511101051	51110-1051	A	10	10.20	8.00	0,51	0,409	0,304
* 538-511101251	51110-1251	A	12	12.20	10.00	0,52	0,388	0,285
* 538-511101451	51110-1451	A	14	14.20	12.00	0,59	0,57	0,474
* 538-511101651	51110-1651	A	16	16.20	14.00	0,70	0,68	0,553
* 538-511101851	51110-1851	A	18	18.20	16.00	0,82	0,705	0,48
* 538-511102051	51110-2051	A	20	20.20	18.00	0,71	0,70	0,413
* 538-511102251	51110-2251	A	22	22.20	20.00	1,00	0,869	0,589
* 538-511102451	51110-2451	A	24	24.20	22.00	1,09	0,961	0,643
* 538-511102651	51110-2651	A	26	26.20	24.00	1,00	0,93	0,692
* 538-511103051	51110-3051	A	30	30.20	28.00	1,36	1,19	0,80
Without Polarization Keys								
* 538-511100450	51110-0450	A	4	4.20	2.00	0,35	0,24	0,211
* 538-511100650	51110-0650	A	6	6.20	4.00	0,52	0,35	0,299
* 538-511100850	51110-0850	A	8	8.20	6.00	0,66	0,44	0,353
* 538-511101050	51110-1050	A	10	10.20	8.00	0,69	0,47	0,376
* 538-511101250	51110-1250	A	12	12.20	10.00	0,53	0,388	0,318
* 538-511101450	51110-1450	A	14	14.20	12.00	0,86	0,58	0,454
* 538-511101650	51110-1650	A	16	16.20	14.00	1,02	0,68	0,546
* 538-511102050	51110-2050	A	20	20.20	18.00	1,09	0,73	0,611
* 538-511102250	51110-2250	A	22	22.20	20.00	1,00	0,869	0,585
* 538-511102450	51110-2450	A	24	24.20	22.00	1,09	0,787	0,623
* 538-511102650	51110-2650	A	26	26.20	24.00	1,12	0,818	0,682
* 538-511102850	51110-2850	A	28	28.20	26.00	0,98	0,858	0,591
* 538-511103050	51110-3050	A	30	30.20	28.00	1,30	0,971	0,78

* Center polarization key

For quantities greater than listed, call for quote.

MOUSER STOCK NO.	Molex Part No.	Fig.	No. of Circuits	Dimensions:mm		Price Each		
				A	B	1	10	100
538-87758-0416	87758-0416	C	4	3.90	2.00	0,56	0,48	0,422
538-87758-0616	87758-0616	C	6	5.90	4.00	0,98	0,848	0,573
538-87758-0816	87758-0816	C	8	7.90	6.00	1,13	0,971	0,66
538-87758-1016	87758-1016	C	10	9.90	8.00	0,95	0,797	0,65
538-87758-1216	87758-1216	C	12	11.90	10.00	1,36	1,21	0,898
538-87758-1416	87758-1416	C	14	13.90	12.00	1,24	1,03	0,823
538-87758-1616	87758-1616	C	16	15.90	14.00	1,30	1,06	0,811
538-87758-1816	87758-1816	C	18	17.90	16.00	1,58	1,33	1,05
538-87758-2016	87758-2016	C	20	19.90	18.00	2,21	1,83	1,62
538-87758-2216	87758-2216	C	22	21.90	20.00	2,07	1,73	1,38
538-87758-2416	87758-2416	C	24	23.90	22.00	2,22	1,90	1,51
538-87758-2616	87758-2616	C	26	25.90	24.00	2,67	2,25	1,73
538-87758-2816	87758-2816	C	28	27.90	26.00	3,05	2,68	1,96
538-87758-3016	87758-3016	C	30	29.90	28.00	3,21	2,85	1,90
538-87758-4016	87758-4016	C	40	39.90	38.00	3,12	2,60	2,07
538-87758-4216	87758-4216	C	42	41.90	40.00	9,83	8,66	5,75
538-87758-4416	87758-4416	C	44	43.90	42.00	3,76	3,14	2,93
538-87758-4616	87758-4616	C	46	45.90	44.00	4,62	4,07	2,71
538-87758-5016	87758-5016	C	50	49.90	48.00	4,17	3,51	2,62

2.00MM (.079") RIGHT ANGLE HEADERS

- End-to-end stackable
- Mates with Milli-Grid Receptacles, Series 79107
- Housing: Black glass-filled polyester, UL 94V-0
- Contact: Phosphor bronze, 0.50mm square
- Plating: 15µ" select gold
- Operating Temperature: -55 to +105°C



E29179 LR19980-182

For quantities greater than listed, call for quote.

MOUSER STOCK NO.	Molex Part No.	Fig.	No. of Circuits	Dimensions:mm		Price Each		
				A	B	1	10	100
538-87760-0416	87760-0416	D	4	2.00	4.00	0,82	0,715	0,476
538-87760-0616	87760-0616	D	6	4.00	6.00	0,80	0,695	0,465
538-87760-0816	87760-0816	D	8	6.00	8.00	1,07	0,95	0,649
538-87760-1016	87760-1016	D	10	8.00	10.00	0,75	0,67	0,594
538-87760-1216	87760-1216	D	12	10.00	12.00	1,66	1,45	0,975
538-87760-1416	87760-1416	D	14	12.00	14.00	1,75	1,52	1,02
538-87760-1616	87760-1616	D	16	14.00	16.00	1,89	1,67	1,10
538-87760-2016	87760-2016	D	20	18.00	20.00	2,36	2,07	1,96
538-87760-2416	87760-2416	D	24	22.00	24.00	2,37	2,08	1,38
538-87760-2616	87760-2616	D	26	24.00	26.00	2,58	2,01	1,66

Crimp Terminal

- Contact: Phosphor bronze
- Operating Temperature: -40 to +105°C
- Voltage: 250V



LR19980 E29179

For quantities greater than listed, call for quote.

MOUSER STOCK NO.	Molex Part No.	AWG	Price Each		
			1	100	500
538-50394-8100	50394-8100	24-30	0,08	0,057	0,051

Tools

- 24-30 AWG

For quantities greater than listed, call for quote.

MOUSER STOCK NO.	Molex Part No.	Description	Price Each	
			1	5
538-63819-0100	63819-0100	Hand Crimp Tool	295,64	287,00

2.00MM (.079") RECEPTACLES VERTICAL, DUAL ROW

- IR, vapor-phase and wave solder/surface mount compatible
- Dual beam contact design ensures reliable electrical performance
- Molded-in void locations for polarization to mating connector
- PC tails have tapered lead-in for insertion into the PC board
- Mates with 0.50mm square pin headers
- Through hole
- Board to board

- Current: 1.0A
- Voltage: 125V
- Housing: Black glass-filled LCP, UL 94V-0
- Operating Temperature: -55°C to 105°C
- Contact: Phosphor bronze
- Plating: 15µ" min. gold



LR19980 E29179

For quantities greater than listed, call for quote.

MOUSER STOCK NO.	Molex Part No.	Fig.	No. of Circuits	Dimensions:mm		Price Each		
				A	B	1	10	100
538-79107-7001	79107-7001	B	4	4.19	2.00	1,89	1,67	1,10
538-79107-7002	79107-7002	B	6	6.19	4.00	2,15	1,89	1,27
538-79107-7003	79107-7003	B	8	8.19	6.00	2,41	2,12	1,41
538-79107-7004	79107-7004	B	10	10.19	8.00	2,67	2,36	1,56
538-79107-7005	79107-7005	B	12	12.19	10.00	2,93	2,59	1,72
538-79107-7006	79107-7006	B	14	14.19	12.00	3,13	2,76	1,84
538-79107-7007	79107-7007	B	16	16.19	14.00	3,40	2,99	2,00
538-79107-7008	79107-7008	B	18	18.19	16.00	3,67	3,23	2,15
538-79107-7009	79107-7009	B	20	20.19	18.00	3,84	3,38	2,26
538-79107-7010	79107-7010	B	22	22.19	20.00	4,02	3,54	2,36
538-79107-7011	79107-7011	B	24	24.19	22.00	4,38	3,86	2,58
538-79107-7014	79107-7014	B	30	30.19	28.00	5,48	4,82	3,21
538-79107-7019	79107-7019	B	40	40.19	38.00	7,32	6,45	4,29
538-791077021	79107-7021	B	44	44.19	42.00	9,76	8,61	5,73
538-79107-7024	79107-7024	B	50	50.19	48.00	9,14	8,06	5,37

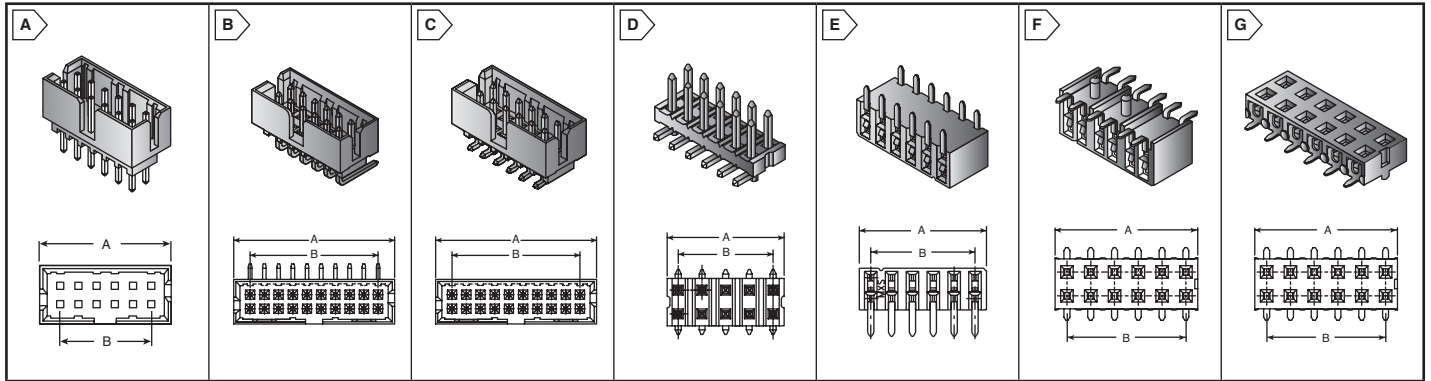
© Copyright 2012 Mouser Electronics

© Copyright 2012 Mouser Electronics

MOLEX 2mm Milli-Grid™ Connectors

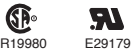
molex
one company » a world of innovation

RoHS Compliant This product is RoHS compliant.



2.00MM (.079") VERTICAL SHROUDED HEADERS

- Fully shrouded to protect pins during mating/unmating
- Center slot for polarization
- Side latches for mechanical locking (18, 40 circuit only)
- No center polarization slot for circuit size 4 and 6
- Housing: Black 4/6 nylon, UL 94V-0
- Contact: Phosphor bronze
- Plating: 15µ" select gold



For quantities greater than listed, call for quote.

MOUSER STOCK NO.	Molex Part No.	Fig.	No. of Circuits	Dimensions:mm		Price Each		
				A	B	1	10	100
538-87831-0420	87831-0420	A	4	6.65	2.00	1,23	1,09	0,726
538-87831-0620	87831-0620	A	6	8.65	4.00	1,18	1,06	0,801
538-87831-0820	87831-0820	A	8	10.65	6.00	1,18	1,03	0,693
538-87831-1020	87831-1020	A	10	12.65	8.00	1,46	1,28	0,855
538-87831-1220	87831-1220	A	12	14.65	10.00	1,74	1,53	1,02
538-87831-1420	87831-1420	A	14	16.65	12.00	1,26	1,10	0,992
538-87831-1620	87831-1620	A	16	18.65	16.00	2,20	1,93	1,29
538-87831-1820	87831-1820	A	18	20.65	16.00	3,06	2,69	1,79
538-87831-2020	87831-2020	A	20	22.65	18.00	1,75	1,66	1,39
538-87831-2220	87831-2220	A	22	24.65	20.00	3,21	2,82	1,88
538-87831-2420	87831-2420	A	24	26.65	22.00	3,49	3,09	1,56
538-87831-3020	87831-3020	A	30	32.65	28.00	3,70	3,33	2,57
538-87831-4020	87831-4020	A	40	42.65	38.00	5,78	4,86	2,69
538-87831-4420	87831-4420	A	44	46.65	42.00	4,84	4,35	3,76
538-87831-5020	87831-5020	A	50	52.65	48.00	7,29	6,43	4,28

2.00MM (.079") RIGHT ANGLE SHROUDED HEADERS

- Fully shrouded to protect pins during mating/unmating
- Center polarization slot (8 to 12 Circuits)
- Center polarization slot and front windows (14 to 50 Circuits)
- Current: 2.0A • Voltage: 125V
- Housing: PA Polyimide (Nylon) 4/6 UL 94V-0
- Plating Contact: 0.38µm (15µ") Gold (Au)

For quantities greater than listed, call for quote.

MOUSER STOCK NO.	Molex Part No.	Fig.	No. of Circuits	Dimensions:mm		Price Each		
				A	B	1	10	100
538-87833-1020	87833-1020	B	10	12.65	8.00	1,62	1,41	0,942
538-87833-1220	87833-1220	B	12	14.65	10.00	1,93	1,71	1,13
538-87833-1420	87833-1420	B	14	16.65	12.00	2,19	1,85	1,23
538-87833-1620	87833-1620	B	16	18.65	14.00	2,60	2,27	1,51
538-87833-2020	87833-2020	B	20	22.65	18.00	3,06	2,68	1,89
538-87833-2420	87833-2420	B	24	26.65	22.00	3,67	3,24	2,16
538-87833-3020	87833-3020	B	30	32.65	28.00	4,11	3,29	2,84
538-87833-4020	87833-4020	B	40	42.65	38.00	6,48	5,71	3,81

2.00MM (.079") SHROUDED VERTICAL SURFACE MOUNT HEADERS

- Fully shrouded to protect pins during mating/unmating
- Center polarization slot (8 to 12 Circuits)
- Center polarization slot and front windows (14 to 50 Circuits)
- Current: 2.0A • Voltage: 125V
- Housing: PA Polyimide (Nylon) 4/6, Glass-filled UL 94V-0
- Plating Contact: 0.38µm (15µ") Gold (Au)

For quantities greater than listed, call for quote.

MOUSER STOCK NO.	Molex Part No.	Fig.	No. of Circuits	Dimensions:mm		Price Each		
				A	B	1	10	100
538-87832-0420	87832-0420	C	4	6.65	2.00	1,54	1,36	0,91
538-87832-0620	87832-0620	C	6	8.65	4.00	1,92	1,70	1,13
538-87832-0820	87832-0820	C	8	10.65	6.00	1,86	1,56	1,24
538-87832-1020	87832-1020	C	10	12.65	8.00	1,32	1,10	1,02
538-87832-1220	87832-1220	C	12	14.65	10.00	2,41	2,12	1,41
538-87832-1420	87832-1420	C	14	16.65	12.00	1,99	1,52	1,27
538-87832-1620	87832-1620	C	16	18.65	14.00	2,27	1,97	1,61
538-87832-1820	87832-1820	C	18	20.65	16.00	3,38	2,98	1,99
538-87832-2020	87832-2020	C	20	22.65	18.00	3,28	2,89	1,92
538-87832-2220	87832-2220	C	22	24.65	20.00	3,96	2,41	2,32
538-87832-2420	87832-2420	C	24	26.65	22.00	4,03	3,55	2,36
538-87832-3020	87832-3020	C	30	32.65	28.00	3,01	2,66	2,30
538-87832-4020	87832-4020	C	40	42.65	38.00	5,54	4,62	3,53
538-87832-4420	87832-4420	C	44	46.65	42.00	4,89	4,49	3,87
538-87832-5020	87832-5020	C	50	52.65	48.00	7,29	6,56	4,40

2.00MM (.079") SHROUDED VERTICAL SURFACE MOUNT HEADERS

- Plastic locating pegs version for accurate placement on PCB
- Optional voided pin version for polarization to the mating part available
- Current: 2.0A • Voltage: 125V
- Housing: PA Polyimide (Nylon), High Temperature UL 94V-0
- Plating Contact: 0.38µm (15µ") Selective Gold (Au)

For quantities greater than listed, call for quote.

MOUSER STOCK NO.	Molex Part No.	Fig.	No. of Circuits	Dimensions:mm		Price Each		
				A	B	1	10	100
538-87759-0850	87759-0850	D	8	7.90	6.00	1,46	1,28	1,17
538-87759-1050	87759-1050	D	10	9.90	8.00	1,18	1,05	0,823
538-87759-1250	87759-1250	D	12	11.90	10.00	2,23	1,96	1,31
538-87759-1450	87759-1450	D	14	13.90	12.00	2,40	2,11	1,40
538-87759-1650	87759-1650	D	16	15.90	14.00	2,62	2,30	1,53
538-87759-1850	87759-1850	D	18	17.90	16.00	2,81	2,47	1,66
538-87759-2050	87759-2050	D	20	19.90	18.00	2,97	2,63	1,75
538-87759-2250	87759-2250	D	22	21.90	20.00	3,28	2,89	1,92
538-87759-2450	87759-2450	D	24	23.90	22.00	3,40	2,99	2,00
538-87759-2650	87759-2650	D	26	25.90	24.00	3,87	3,41	2,27
538-87759-2850	87759-2850	D	28	27.90	26.00	4,18	3,68	2,44
538-87759-3050	87759-3050	D	30	29.90	28.00	4,25	3,74	2,48

2.00MM (.079") SIDE ENTRY RECEPTACLES

- Surface Mount Compatible
- Center polarization slot (8 to 12 Circuits)
- Housing: Black high-temperature nylon UL 94V-0
- Center polarization slot and front windows (14 to 50 Circuits)

For quantities greater than listed, call for quote.

MOUSER STOCK NO.	Molex Part No.	Fig.	No. of Circuits	Dimensions:mm		Price Each		
				A	B	1	10	100
538-87264-0852	87264-0852	E	8	8.20	6.00	2,27	2,07	1,65
538-87264-1052	87264-1052	E	10	10.20	8.00	2,92	2,60	1,79
538-87264-1852	87264-1852	E	18	18.20	16.00	4,14	3,66	2,43
538-87264-2052	87264-2052	E	20	20.20	18.00	3,16	2,61	2,21
538-87264-2452	87264-2452	E	24	24.20	22.00	4,19	3,50	2,29
538-87264-2852	87264-2852	E	28	28.20	26.00	3,73	3,68	3,15
538-87264-4252	87264-4252	E	42	42.20	40.00	6,93	5,68	4,18
538-87264-4852	87264-4852	E	48	48.20	46.00	5,47	5,42	4,62
538-87264-5052	87264-5052	E	50	50.20	48.00	8,65	7,73	5,15

2.00MM (.079") SIDE ENTRY SMT RECEPTACLES

- Polarization peg standard
- Plating Contact: Phosphor Bronze (CuSn)
- Current: 1.0A
- Voltage: 125V

For quantities greater than listed, call for quote.

MOUSER STOCK NO.	Molex Part No.	Fig.	No. of Circuits	Dimensions:mm		Price Each		
				A	B	1	10	100
538-87368-1624	87368-1624	F	16	16.20	14.00	5,82	5,13	3,41
538-87368-2424	87368-2424	F	24	24.20	22.00	4,49	4,44	4,10
538-87368-3024	87368-3024	F	30	30.20	28.00	5,04	4,99	4,60
538-87368-4424	87368-4424	F	44	44.20	42.00	11,94	10,53	7,01
538-87368-5024	87368-5024	F	50	50.20	48.00	8,39	8,34	8,31

2.00MM (.079") TOP/BOTTOM ENTRY SMT RECEPTACLES

- Locating peg version standard
- Very low profile height of 2.15mm
- End-to-end stackable
- Plating Contact: Phosphor Bronze (CuSn)
- Current: 1.0A
- Voltage: 125V
- Housing: LCP Liquid Crystal Polymer, Glass-filled UL 94V-0

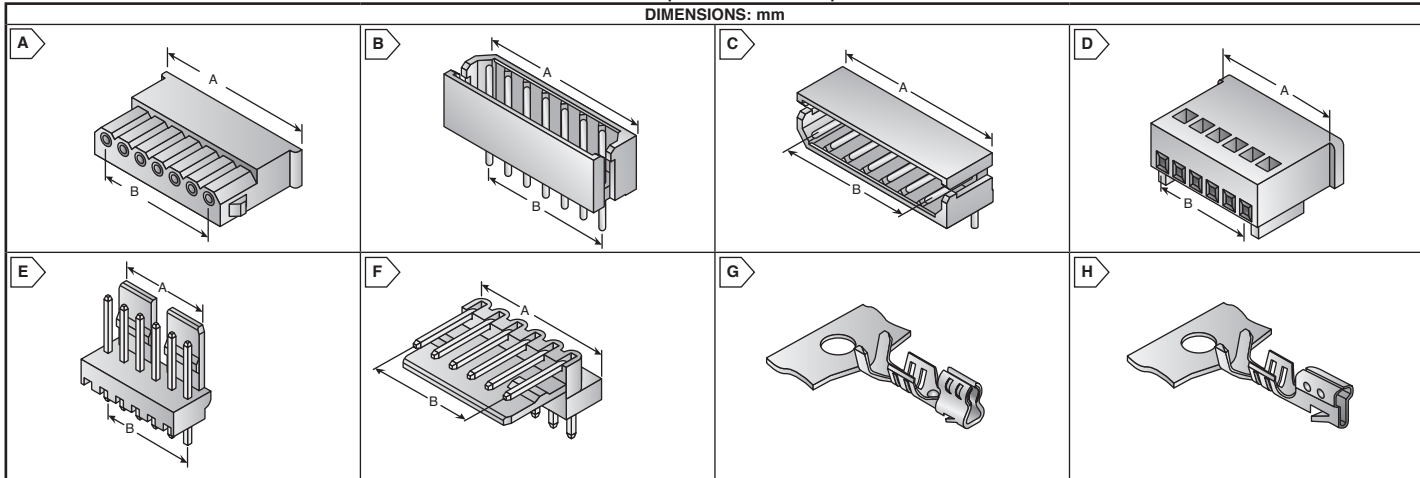
For quantities greater than listed, call for quote.

MOUSER STOCK NO.	Molex Part No.	Fig.	No. of Circuits	Dimensions:mm		Price Each		
				A	B	1	10	100
538-87340-0424	87340-0424	G	4	4.00	2.00	1,30	1,13	0,758
538-87340-0624	87340-0624	G	6	6.00	4.00	1,84	1,60	1,06
538-87340-0824	87340-0824	G	8	8.00	6.00	2,56	2,25	1,49
538-87340-1024	87340-1024	G	10	10.00	8.00	2,83	2,48	1,66
538-87340-1224	87340-1224	G	12	12.00	10.00	3,38	2,98	1,99
538-87340-1424	87340-1424	G	14	14.00	12.00	4,60	4,06	2,69
538-87340-1624	87340-1624	G	16	16.00	14.00	5,14	4,54	3,01
538-87340-1824	87340-1824	G	18	18.00	16.00	5,60	4,93	3,28
538-87340-2024	87340-2024	G	20	20.00	18.00	5,97	5,26	3,51

MOLEX 2.50mm SPOX™ Connectors

molex
one company » a world of innovation

This product is RoHS compliant.
DIMENSIONS: mm



CRIMP TERMINAL HOUSINGS

- Series 5264-N
- Very low profile
- Friction lock
- Molded-in pull tabs
- Mates w/series 5267-NA & 5268-NA
- Use with terminal series 5263
- Operating temperature: -40° to +105°C
- Housing: 6/6 nylon, UL 94V-0
- RoHS Compliant per Molex documentation



CRIMP TERMINAL HOUSINGS

- Series 5102-N
- Low profile
- Friction lock
- Molded-in pull tabs
- Mates w/series 5045 & 5046
- Use with terminal series 5103
- Operating temperature: -40° to +105°C
- Housing: 6/6 nylon, UL 94V-0
- RoHS Compliant per Molex documentation



Molex Rectangular Connectors

For quantities greater than listed, call for quote.

MOUSER STOCK NO.	Molex Part No.	Fig.	No. of Circuits	Dimensions: mm		Price Each			
				A	B	1	10	100	500
538-50-37-5023	50-37-5023	A	2	5.80	2.50	0,30	0,263	0,171	0,134
538-50-37-5033	50-37-5033	A	3	8.30	5.00	0,38	0,321	0,224	0,179
538-50-37-5043	50-37-5043	A	4	10.80	7.50	0,46	0,389	0,26	0,205
538-50-37-5053	50-37-5053	A	5	13.30	10.00	0,55	0,491	0,343	0,269
538-50-37-5063	50-37-5063	A	6	15.80	12.50	0,69	0,48	0,432	0,344
538-50-37-5073	50-37-5073	A	7	18.30	15.00	0,80	0,726	0,485	0,38
538-50-37-5083	50-37-5083	A	8	20.80	17.50	0,92	0,797	0,539	0,428
538-50-37-5093	50-37-5093	A	9	23.30	20.00	1,00	0,879	0,593	0,474
538-50-37-5103	50-37-5103	A	10	25.80	22.50	1,10	0,961	0,648	0,511
538-50-37-5113	50-37-5113	A	11	28.30	25.00	1,17	0,67	0,643	0,61
538-50-37-5123	50-37-5123	A	12	30.80	27.50	1,24	1,12	0,755	0,595
538-50-37-5133	50-37-5133	A	13	33.30	30.00	1,13	1,01	0,773	0,606
538-50-37-5143	50-37-5143	A	14	35.80	32.50	1,38	1,24	0,837	0,666
538-50-37-5153	50-37-5153	A	15	38.30	35.00	1,46	1,29	0,865	0,69

For quantities greater than listed, call for quote.

MOUSER STOCK NO.	Molex Part No.	Fig.	No. of Circuits	Dimensions: mm		Price Each			
				A	B	1	10	100	500
538-22-01-1024	22-01-1024	D	2	6.00	2.50	0,43	0,368	0,245	0,187
538-22-01-1034	22-01-1034	D	3	8.50	5.00	0,39	0,327	0,227	0,173
538-22-01-1044	22-01-1044	D	4	11.00	7.50	0,45	0,399	0,26	0,205
538-22-01-1054	22-01-1054	D	5	13.50	10.00	0,50	0,439	0,292	0,238
538-22-01-1064	22-01-1064	D	6	16.00	12.50	0,56	0,491	0,324	0,26
538-22-01-1074	22-01-1074	D	7	18.50	15.00	0,72	0,634	0,422	0,335
538-22-01-1084	22-01-1084	D	8	21.00	17.50	0,68	0,593	0,401	0,314
538-22-01-1094	22-01-1094	D	9	23.50	20.00	0,68	0,552	0,433	0,346
538-22-01-1104	22-01-1104	D	10	26.00	22.50	0,92	0,807	0,535	0,434
538-22-01-1114	22-01-1114	D	11	28.50	25.00	0,87	0,767	0,509	0,401

HEADERS

- Mates with series 5102-N housings
- .064mm square wire pins
- Contact: Brass
- Plating: Tin
- Housing: 6/6 nylon, UL 94V-0
- Operating temperature: -40° to +105°C
- RoHS Compliant per Molex documentation



For quantities greater than listed, call for quote.

MOUSER STOCK NO.	Molex Part No.	Fig.	No. of Circuits	Dimensions: mm		Price Each			
				A	B	1	10	100	500
Vertical - Polarizing Lock - Series 5045									
538-22-04-1021	22-04-1021	E	2	4.50	2.50	0,99	0,858	0,573	0,465
538-22-04-1031	22-04-1031	E	3	7.00	5.00	1,06	0,971	0,693	0,552
538-22-04-1041	22-04-1041	E	4	9.50	7.50	1,11	0,879	0,714	0,596
538-22-04-1051	22-04-1051	E	5	12.00	10.00	1,58	1,41	0,95	0,758
538-22-04-1061	22-04-1061	E	6	14.50	12.50	1,70	1,52	1,06	0,855
538-22-04-1071	22-04-1071	E	7	17.00	15.00	1,76	1,49	1,10	0,877
538-22-04-1081	22-04-1081	E	8	19.50	17.50	2,03	1,82	1,35	1,07
538-22-04-1091	22-04-1091	E	9	22.00	20.00	1,99	1,59	1,28	1,05
538-22-04-1101	22-04-1101	E	10	24.50	22.50	2,32	2,07	1,54	1,24
538-22-04-1111	22-04-1111	E	11	27.00	25.00	2,61	1,90	1,51	1,25

FULLY SHROUDED HEADERS

- Series 5276-NA & 5268-NA
- 0.70mm round pins
- Polarized
- Friction lock
- Mates with series 5264-N & 42219
- Contact: brass
- Plating: tin
- Housing: 6/6 nylon, UL 94V-0
- Operating temperature: 0° to +75°C
- RoHS Compliant per Molex documentation



For quantities greater than listed, call for quote.

MOUSER STOCK NO.	Molex Part No.	Fig.	No. of Circuits	Dimensions: mm		Price Each			
				A	B	1	10	100	500
Vertical									
538-22-03-5025	22-03-5025	B	2	7.40	2.50	0,65	0,593	0,465	0,368
538-22-03-5035	22-03-5035	B	3	9.90	5.00	0,80	0,726	0,563	0,455
538-22-03-5045	22-03-5045	B	4	12.40	7.50	1,13	0,991	0,66	0,53
538-22-03-5055	22-03-5055	B	5	14.90	10.00	1,05	0,95	0,757	0,606
538-22-03-5065	22-03-5065	B	6	17.40	12.50	1,21	1,17	0,855	0,682
538-22-03-5075	22-03-5075	B	7	19.90	15.00	0,94	0,758	0,586	0,466
538-22-03-5085	22-03-5085	B	8	22.40	17.50	1,73	1,55	1,04	0,844
538-22-03-5095	22-03-5095	B	9	24.90	20.00	1,82	1,56	1,14	0,921
538-22-03-5105	22-03-5105	B	10	27.40	22.50	1,84	1,66	1,25	1,01
538-22-03-5125	22-03-5125	B	12	32.40	27.50	1,46	1,40	1,31	1,04
538-22-03-5145	22-03-5145	B	14	37.40	32.50	2,54	2,30	1,64	1,31
538-22-03-5155	22-03-5155	B	15	39.90	35.00	2,73	2,44	1,74	1,39
Right Angle									
538-22-05-7025	22-05-7025	C	2	7.40	2.50	0,69	0,613	0,486	0,389
538-22-05-7035	22-05-7035	C	3	9.90	5.00	0,87	0,787	0,573	0,455
538-22-05-7045	22-05-7045	C	4	12.40	7.50	1,03	0,93	0,66	0,53
538-22-05-7055	22-05-7055	C	5	14.90	10.00	1,18	0,675	0,509	0,455
538-22-05-7065	22-05-7065	C	6	17.40	12.50	1,28	1,17	0,834	0,66
538-22-05-7075	22-05-7075	C	7	19.90	15.00	1,57	1,38	0,92	0,736
538-22-05-7085	22-05-7085	C	8	22.40	17.50	1,73	1,52	1,02	0,812
538-22-05-7095	22-05-7095	C	9	24.90	20.00	1,86	1,55	1,09	0,877
538-22-05-7105	22-05-7105	C	10	27.40	22.50	1,22	1,11	0,917	0,816

CRIMP TERMINALS

- Series 5263 & 5103
- Anti-fishhook design
- RoHS Compliant per Molex documentation



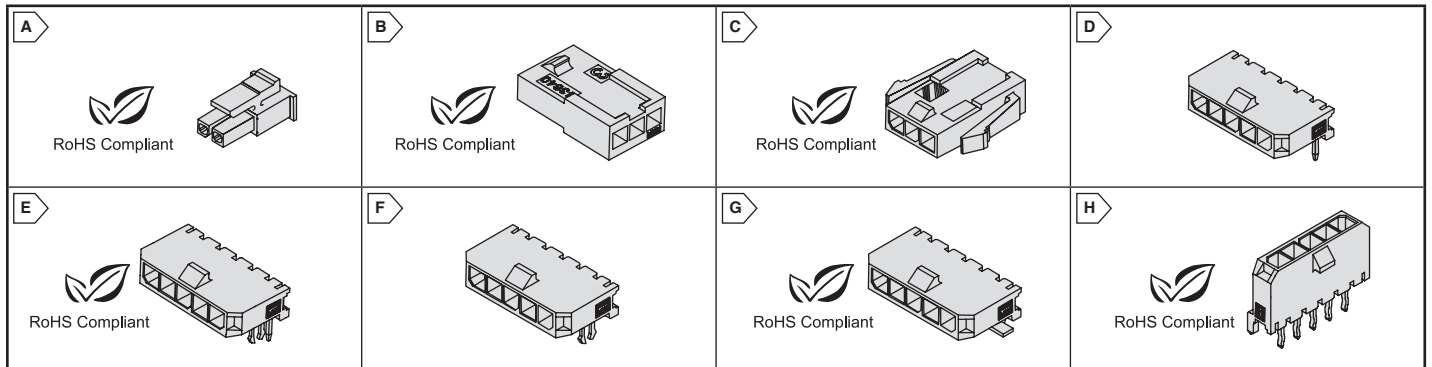
For quantities greater than listed, call for quote.

MOUSER STOCK NO.	Molex Part No.	Fig.	Type	AWG	Plating	Price Each			
						1	100	500	1000
Series 5263									
538-08-70-1040	08-70-1040	G	Female	22-28	Tin/Bronze	0,27	0,215	0,173	0,14
Series 5103									
538-08-70-0057	08-70-0057	H	Female	22-28	Tin/Brass	0,13	0,092	0,072	0,061

TOOLING

MOUSER STOCK NO.	Molex Part No.	Description	Price Each
538-63811-5200	63811-5200	Hand Crimp Tool, 22 - 28 AWG	251,82

MOLEX Micro-Fit 3.0™ Connectors



SINGLE ROW CONNECTORS

Specifications:

- 3.00mm Pitch
- Fully isolated contacts
- Full polarization
- Positive locks
- Surface Mount Compatible
- Up to 5.0A per circuit
- 250V AC rating
- UL 94V-0, CSA TUV approved



For quantities greater than listed, call for quote.

MOUSER STOCK NO.	Molex Part No.	Fig.	No. of Circuits	Plating	Price Each		
					1	10	100
Crimp Housing Receptacles - use with 43030 terminals							
538-43645-0200	43645-0200	A	2	-	0,66	0,46	0,239
538-43645-0300	43645-0300	A	3	-	0,81	0,50	0,26
538-43645-0400	43645-0400	A	4	-	0,78	0,48	0,283
538-43645-0500	43645-0500	A	5	-	0,54	0,437	0,355
538-43645-0600	43645-0600	A	6	-	0,99	0,66	0,344
538-43645-0700	43645-0700	A	7	-	0,78	0,675	0,455
538-43645-0800	43645-0800	A	8	-	0,83	0,726	0,486
538-43645-0900	43645-0900	A	9	-	0,94	0,828	0,56
538-43645-1000	43645-1000	A	10	-	0,59	0,56	0,54
538-43645-1100	43645-1100	A	11	-	1,10	0,981	0,651
538-43645-1200	43645-1200	A	12	-	1,13	1,00	0,671
Crimp Housing Plugs - Free Hanging - use with 43031 terminals							
538-43640-0201	43640-0201	B	2	-	0,77	0,47	0,339
538-43640-0301	43640-0301	B	3	-	0,71	0,51	0,365
538-43640-0401	43640-0401	B	4	-	0,71	0,58	0,392
538-43640-0501	43640-0501	B	5	-	0,76	0,56	0,304
538-43640-0601	43640-0601	B	6	-	0,99	0,66	0,337
538-43640-0701	43640-0701	B	7	-	0,82	0,634	0,479
538-43640-0801	43640-0801	B	8	-	0,83	0,726	0,486
538-43640-0901	43640-0901	B	9	-	0,89	0,726	0,56
538-43640-1001	43640-1001	B	10	-	1,01	0,889	0,594
538-43640-1101	43640-1101	B	11	-	1,02	0,91	0,605
538-43640-1201	43640-1201	B	12	-	0,63	0,511	0,469
Crimp Housing Plugs - Panel Mount - use with 43031 terminals							
538-43640-0200	43640-0200	C	2	-	0,73	0,43	0,239
538-43640-0300	43640-0300	C	3	-	0,77	0,47	0,26
538-43640-0400	43640-0400	C	4	-	0,46	0,44	0,42
538-43640-0500	43640-0500	C	5	-	0,66	0,583	0,389
538-43640-0600	43640-0600	C	6	-	0,72	0,634	0,422
Right Angle Headers - Snap-in-Peg Locks							
538-43650-0200	43650-0200	D	2	Tin	1,00	1,00	1,00
538-43650-0300	43650-0300	D	3	Tin	3,10	2,40	1,50
538-43650-0400	43650-0400	D	4	Tin	1,78	1,58	1,35
538-43650-0500	43650-0500	D	5	Tin	1,90	1,59	1,11
538-43650-0600	43650-0600	D	6	Tin	2,57	1,96	1,50
538-43650-0700	43650-0700	D	7	Tin	2,87	2,53	1,68
538-43650-0800	43650-0800	D	8	Tin	2,60	2,29	1,52
538-43650-0900	43650-0900	D	9	Tin	3,42	3,01	2,00
538-43650-0201	43650-0201	D	2	15µ" Gold	1,38	1,19	0,898
538-43650-0301	43650-0301	D	3	15µ" Gold	1,73	1,36	1,05
538-43650-0401	43650-0401	D	4	15µ" Gold	2,10	1,85	1,23
538-43650-0501	43650-0501	D	5	15µ" Gold	2,39	2,10	1,39
538-43650-0601	43650-0601	D	6	15µ" Gold	3,23	2,84	1,89
538-43650-0701	43650-0701	D	7	15µ" Gold	3,60	3,16	2,10
538-43650-0801	43650-0801	D	8	15µ" Gold	3,93	3,47	2,31
538-43650-0901	43650-0901	D	9	15µ" Gold	3,09	3,01	2,17
538-43650-1001	43650-1001	D	10	15µ" Gold	4,62	4,07	2,70
538-43650-1101	43650-1101	D	11	15µ" Gold	4,30	4,22	3,50
538-43650-1201	43650-1201	D	12	15µ" Gold	6,37	5,61	3,73
Right Angle Headers - Solderable Retention Clip							
538-43650-0203	43650-0203	E	2	Tin	0,89	0,84	0,805
538-43650-0303	43650-0303	E	3	Tin	1,65	1,49	1,09
538-43650-0403	43650-0403	E	4	Tin	1,66	1,57	1,50
538-43650-0503	43650-0503	E	5	Tin	2,57	2,27	1,50
538-43650-0603	43650-0603	E	6	Tin	3,18	2,79	1,86
Right Angle Headers - SMT - Solderable Retention Clip							
538-43650-0209	43650-0209	F	2	Tin	3,26	2,84	1,91
538-43650-0309	43650-0309	F	3	Tin	3,33	2,97	2,05
538-43650-0409	43650-0409	F	4	Tin	3,79	3,33	2,22
538-43650-0509	43650-0509	F	5	Tin	4,98	4,38	2,91
538-43650-0609	43650-0609	F	6	Tin	5,36	4,71	3,14
538-43650-0210	43650-0210	F	2	15µ" Gold	3,27	2,99	1,38
538-43650-0310	43650-0310	F	3	15µ" Gold	3,94	3,49	2,31
538-43650-0410	43650-0410	F	4	15µ" Gold	4,18	3,71	1,43
538-43650-0510	43650-0510	F	5	15µ" Gold	5,77	5,09	3,39
538-43650-0610	43650-0610	F	6	15µ" Gold	5,16	4,55	3,03

For quantities greater than listed, call for quote.

MOUSER STOCK NO.	Molex Part No.	Fig.	No. of Circuits	Plating	Price Each		
					1	10	100
Right Angle Headers - SMT - Solder Tabs							
538-43650-0212	43650-0212	G	2	Tin	2,09	1,90	1,81
538-43650-0312	43650-0312	G	3	Tin	3,60	3,17	2,11
538-43650-0412	43650-0412	G	4	Tin	3,94	3,47	2,31
538-43650-0512	43650-0512	G	5	Tin	4,50	3,96	2,64
538-43650-0612	43650-0612	G	6	Tin	5,55	4,89	3,25
538-43650-0712	43650-0712	G	7	Tin	6,03	5,30	3,53
538-43650-0812	43650-0812	G	8	Tin	6,50	5,73	3,82
538-43650-0912	43650-0912	G	9	Tin	6,89	6,08	4,04
538-43650-1012	43650-1012	G	10	Tin	6,33	5,57	3,71
538-43650-1112	43650-1112	G	11	Tin	7,65	6,75	4,49
538-43650-0213	43650-0213	G	2	15µ" Gold	2,92	2,58	2,16
538-43650-0313	43650-0313	G	3	15µ" Gold	4,33	3,82	2,54
538-43650-0413	43650-0413	G	4	15µ" Gold	4,12	3,77	2,45
538-43650-0513	43650-0513	G	5	15µ" Gold	4,93	4,34	2,89
538-43650-0613	43650-0613	G	6	15µ" Gold	5,32	4,68	3,13
Vertical Headers - PCB Pegs							
538-43650-0215	43650-0215	H	2	Tin	0,97	0,848	0,683
538-43650-0315	43650-0315	H	3	Tin	0,97	0,94	0,912
538-43650-0415	43650-0415	H	4	Tin	1,39	1,27	1,27
538-43650-0515	43650-0515	H	5	Tin	1,57	1,38	0,959
538-43650-0615	43650-0615	H	6	Tin	1,28	1,25	1,23
538-43650-0715	43650-0715	H	7	Tin	2,37	2,08	1,39
538-43650-0815	43650-0815	H	8	Tin	2,60	2,30	1,52
538-43650-0915	43650-0915	H	9	Tin	2,83	2,49	1,66
538-43650-1015	43650-1015	H	10	Tin	3,65	3,23	2,14
538-43650-1115	43650-1115	H	11	Tin	2,83	2,75	2,30
538-43650-1215	43650-1215	H	12	Tin	4,19	3,70	2,45
538-43650-0216	43650-0216	H	2	15µ" Gold	0,76	0,73	0,694
538-43650-0316	43650-0316	H	3	15µ" Gold	0,94	0,89	0,848
538-43650-0416	43650-0416	H	4	15µ" Gold	1,74	1,53	1,02
538-43650-0516	43650-0516	H	5	15µ" Gold	1,97	1,74	1,15
538-43650-0616	43650-0616	H	6	15µ" Gold	1,93	1,84	1,74
538-43650-0716	43650-0716	H	7	15µ" Gold	2,45	2,15	1,43
538-43650-0816	43650-0816	H	8	15µ" Gold	3,23	2,86	1,90
538-43650-0916	43650-0916	H	9	15µ" Gold	3,55	3,12	2,07
538-43650-1016	43650-1016	H	10	15µ" Gold	4,58	4,05	2,69
538-43650-1116	43650-1116	H	11	15µ" Gold	3,56	3,47	2,89
538-43650-1216	43650-1216	H	12	15µ" Gold	5,27	4,65	3,10

Terminals (For Single & Dual Row Connectors)

* Sold in 12,000 Piece Reels

For quantities greater than listed, call for quote.

MOUSER STOCK NO.	Molex Part No.	Fig.	No. of Circuits	Plating	Price Each		
					1	10	100
Female Sockets							
538-43030-0007	43030-0007	-	20 - 24	Tin	0,10	0,072	0,063
538-43030-0010	43030-0010	-	26 - 30	Tin	0,15	0,113	0,082
538-43030-0008	43030-0008	-	20 - 24	15µ" Gold	0,16	0,118	0,118
538-43030-0011	43030-0011	-	26 - 30	15µ" Gold	0,14	0,105	0,093
538-43030-0009	43030-0009	-	20 - 24	30µ" Gold	0,16	0,121	0,121
538-43030-0012	43030-0012	-	26 - 30	30µ" Gold	0,24	0,143	0,119
Female Sockets - Low Force							
* 538-46235-0001	46235-0001	-	20-24	15µ" Gold	0,15	-	-
* 538-46235-0002	46235-0002	-	20-24	30µ" Gold	0,16	-	-
* 538-46235-0004	46235-0004	-	26-30	30µ" Gold	0,16	-	-
Male Pins							
538-43031-0007	43031-0007	-	20 - 24	Tin	0,14	0,082	0,082
538-43031-0010	43031-0010	-	26 - 30	Tin	0,15	0,092	0,082
538-43031-0008	43031-0008	-	20 - 24	15µ" Gold	0,16	0,112	0,099
538-43031-0011	43031-0011	-	26 - 30	15µ" Gold	0,20	0,112	0,099
538-43031-0009	43031-0009	-	20 - 24	30µ" Gold	0,28	0,204	0,151
538-43031-0012	43031-0012	-	26 - 30	30µ" Gold	0,27	0,164	0,13

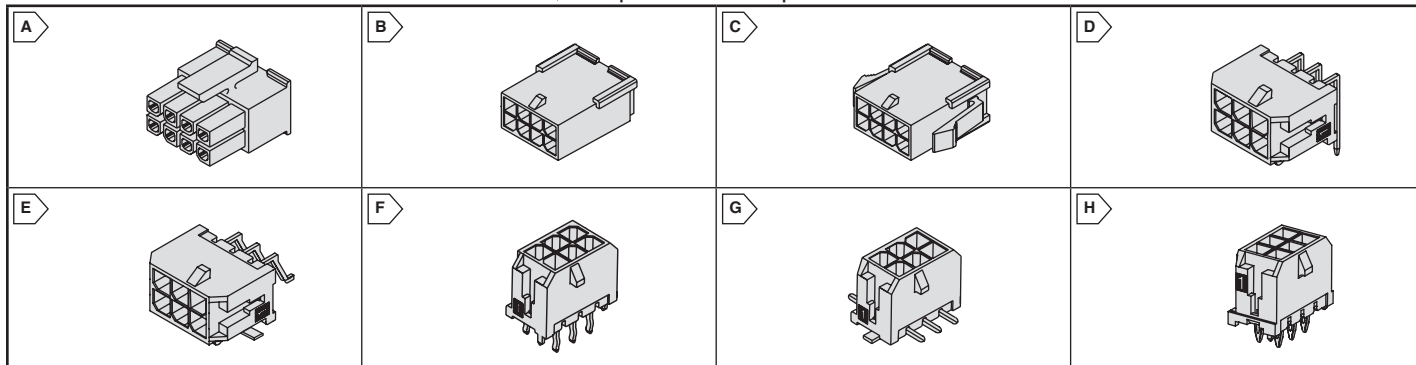
Tools (For Single & Dual Row Connectors)

For quantities greater than listed, call for quote.

MOLEX Micro-Fit 3.0™ Connectors



RoHS Compliant This product is RoHS compliant.



DUAL ROW CONNECTORS



Specifications:

- 3.00mm Pitch
- Fully isolated contacts
- Full polarization
- Positive locks
- Surface Mount Compatible
- Up to 5.0A per circuit
- 250V AC rating
- UL 94V-0, CSA TUV approved

For quantities greater than listed, call for quote.

MOUSER STOCK NO.	Molex Part No.	Fig.	No. of Circuits	Plating	Price Each		
					1	10	100
Crimp Housing Receptacles - use with 43030 terminals							
538-43025-0200	43025-0200	A	2	-	0,51	0,39	0,239
538-43025-0400	43025-0400	A	4	-	0,50	0,388	0,334
538-43025-0600	43025-0600	A	6	-	0,81	0,61	0,337
538-43025-0800	43025-0800	A	8	-	0,81	0,70	0,381
538-43025-1000	43025-1000	A	10	-	0,87	0,67	0,446
538-43025-1200	43025-1200	A	12	-	1,25	0,92	0,522
538-43025-1400	43025-1400	A	14	-	1,95	1,24	0,62
538-43025-1600	43025-1600	A	16	-	0,84	0,80	0,763
538-43025-1800	43025-1800	A	18	-	1,69	1,36	1,02
538-43025-2000	43025-2000	A	20	-	1,92	1,72	0,892
538-43025-2200	43025-2200	A	22	-	1,72	1,57	1,24
538-43025-2400	43025-2400	A	24	-	2,15	1,96	1,11
Crimp Housing Plugs - Free Hanging - use with 43031 terminals							
538-43020-0201	43020-0201	B	2	-	0,28	0,27	0,264
538-43020-0401	43020-0401	B	4	-	0,35	0,33	0,317
538-43020-0601	43020-0601	B	6	-	0,54	0,51	0,489
538-43020-0801	43020-0801	B	8	-	0,37	0,36	0,357
538-43020-1001	43020-1001	B	10	-	0,64	0,61	0,583
538-43020-1201	43020-1201	B	12	-	0,66	0,63	0,60
538-43020-1401	43020-1401	B	14	-	1,13	0,991	0,666
538-43020-1601	43020-1601	B	16	-	0,69	0,624	0,624
538-43020-1801	43020-1801	B	18	-	0,87	0,756	0,501
538-43020-2001	43020-2001	B	20	-	1,82	1,59	1,06
538-43020-2201	43020-2201	B	22	-	1,99	1,76	1,18
538-43020-2401	43020-2401	B	24	-	2,07	1,83	1,21
Crimp Housing Plugs - Panel Mount - use with 43031 terminals							
538-430200200	43020-0200	C	2	-	0,77	0,47	0,239
538-43020-0400	43020-0400	C	4	-	0,75	0,55	0,283
538-43020-0600	43020-0600	C	6	-	0,99	0,66	0,337
538-43020-0800	43020-0800	C	8	-	0,86	0,76	0,381
538-43020-1000	43020-1000	C	10	-	0,81	0,68	0,446
538-43020-1200	43020-1200	C	12	-	1,41	0,94	0,522
538-43020-1400	43020-1400	C	14	-	1,27	1,16	1,16
538-43020-1600	43020-1600	C	16	-	0,85	0,746	0,50
538-43020-1800	43020-1800	C	18	-	1,04	1,04	1,04
538-43020-2000	43020-2000	C	20	-	1,81	1,34	0,842
538-43020-2200	43020-2200	C	22	-	2,24	1,97	1,31
538-43020-2400	43020-2400	C	24	-	2,75	2,01	1,11
Right Angle Headers - Snap-in-Peg Locks							
538-43045-0200	43045-0200	D	2	Tin	1,94	1,24	0,631
538-43045-0400	43045-0400	D	4	Tin	1,27	1,03	0,745
538-43045-0600	43045-0600	D	6	Tin	2,26	1,96	1,01
538-43045-0800	43045-0800	D	8	Tin	2,91	2,40	1,26
538-43045-1000	43045-1000	D	10	Tin	3,91	2,83	1,45
538-43045-1200	43045-1200	D	12	Tin	2,61	2,42	1,97
538-43045-1400	43045-1400	D	14	Tin	2,93	2,73	2,31
538-43045-1600	43045-1600	D	16	Tin	4,40	3,88	2,59
538-43045-1800	43045-1800	D	18	Tin	3,62	3,44	3,27
538-43045-2000	43045-2000	D	20	Tin	5,51	4,85	3,23
538-43045-2200	43045-2200	D	22	Tin	8,82	7,77	5,18
538-43045-2400	43045-2400	D	24	Tin	6,61	5,84	3,88
538-43045-0202	43045-0202	D	2	30µ" Gold	1,57	1,43	1,13
538-43045-0402	43045-0402	D	4	30µ" Gold	2,18	2,07	1,97
538-43045-0602	43045-0602	D	6	30µ" Gold	2,86	2,44	1,76
538-43045-0802	43045-0802	D	8	30µ" Gold	3,60	3,42	3,24
538-43045-1002	43045-1002	D	10	30µ" Gold	4,21	4,00	3,80
538-43045-1202	43045-1202	D	12	30µ" Gold	4,43	4,16	3,38
538-43045-1402	43045-1402	D	14	30µ" Gold	5,14	4,45	3,65
538-43045-1602	43045-1602	D	16	30µ" Gold	6,94	6,11	4,08
538-43045-1802	43045-1802	D	18	30µ" Gold	6,87	6,53	6,20
538-43045-2002	43045-2002	D	20	30µ" Gold	8,69	7,65	5,10
538-43045-2202	43045-2202	D	22	30µ" Gold	9,55	8,42	5,61
538-43045-2402	43045-2402	D	24	30µ" Gold	10,42	9,19	6,12

For quantities greater than listed, call for quote.

MOUSER STOCK NO.	Molex Part No.	Fig.	No. of Circuits	Plating	Price Each		
					1	10	100
Right Angle Headers - SMT - Solder Tabs							
538-43045-0209	43045-0209	E	2	Tin	2,43	2,14	1,84
538-43045-0409	43045-0409	E	4	Tin	2,76	2,47	2,28
538-43045-0609	43045-0609	E	6	Tin	4,58	4,03	2,68
538-43045-0809	43045-0809	E	8	Tin	4,43	4,21	4,00
538-43045-1009	43045-1009	E	10	Tin	5,80	5,51	5,23
538-43045-1209	43045-1209	E	12	Tin	6,81	6,47	6,14
538-43045-0211	43045-0211	E	2	30µ" Gold	3,21	2,79	2,48
538-43045-0411	43045-0411	E	4	30µ" Gold	4,56	4,34	4,12
538-43045-0611	43045-0611	E	6	30µ" Gold	7,43	6,70	4,48
538-43045-0811	43045-0811	E	8	30µ" Gold	7,25	6,52	4,37
538-43045-1011	43045-1011	E	10	30µ" Gold	8,42	7,43	4,95
538-43045-1211	43045-1211	E	12	30µ" Gold	4,15	3,94	3,74
Vertical Headers - Thru-hole - Offset Terminal Retention							
538-430-45-0212	43045-0212	F	2	Tin	0,86	0,77	0,54
538-43045-0412	43045-0412	F	4	Tin	0,85	0,667	0,504
538-43045-0612	43045-0612	F	6	Tin	1,66	1,57	0,816
538-43045-0812	43045-0812	F	8	Tin	2,76	1,73	1,06
538-43045-1012	43045-1012	F	10	Tin	2,91	2,30	1,21
538-43045-1212	43045-1212	F	12	Tin	2,50	2,12	1,47
538-43045-1412	43045-1412	F	14	Tin	3,27	2,87	1,91
538-43045-1612	43045-1612	F	16	Tin	3,57	2,99	2,13
538-43045-1812	43045-1812	F	18	Tin	4,09	3,20	2,40
538-43045-2012	43045-2012	F	20	Tin	4,55	4,01	2,67
538-43045-2212	43045-2212	F	22	Tin	7,28	6,41	4,27
538-43045-2412	43045-2412	F	24	Tin	5,46	4,80	3,20
538-43045-0214	43045-0214	F	2	30µ" Gold	1,38	1,31	1,25
538-43045-0414	43045-0414	F	4	30µ" Gold	1,52	1,45	1,38
538-43045-0614	43045-0614	F	6	30µ" Gold	2,30	2,05	1,64
538-43045-0814	43045-0814	F	8	30µ" Gold	2,06	1,95	1,86
538-43045-1014	43045-1014	F	10	30µ" Gold	2,80	2,66	2,52
538-43045-1214	43045-1214	F	12	30µ" Gold	4,54	4,31	4,09
538-43045-1414	43045-1414	F	14	30µ" Gold	5,03	3,99	3,03
538-43045-1614	43045-1614	F	16	30µ" Gold	5,72	5,06	3,36
538-43045-1814	43045-1814	F	18	30µ" Gold	6,44	5,53	3,78
538-43045-2014	43045-2014	F	20	30µ" Gold	7,73	6,55	4,67
538-43045-2214	43045-2214	F	22	30µ" Gold	9,92	8,92	6,28
538-43045-2414	43045-2414	F	24	30µ" Gold	8,60	7,58	5,06
Vertical Headers - SMT - Solder Tabs							
538-43045-0218	43045-0218	G	2	Tin	1,96	1,88	1,76
538-43045-0418	43045-0418	G	4	Tin	2,72	2,59	1,48
538-430-45-0618	43045-0618	G	6	Tin	3,16	2,82	2,47
538-43045-0818	43045-0818	G	8	Tin	4,38	4,16	3,96
538-43045-1018	43045-1018	G	10	Tin	4,24	3,84	3,13
538-430-45-1218	43045-1218	G	12	Tin	5,66	5,37	5,10
538-43045-0220	43045-0220	G	2	30µ" Gold	3,60	3,42	3,24
538-43045-0420	43045-0420	G	4	30µ" Gold	3,81	3,62	3,44
538-43045-0620	43045-0620	G	6	30µ" Gold	4,94	4,70	4,46
538-43045-0820	43045-0820	G	8	30µ" Gold	3,54	3,22	2,89
538-43045-1020	43045-1020	G	10	30µ" Gold	5,87	5,28	4,26
538-43045-1220	43045-1220	G	12	30µ" Gold	7,77	7,38	7,01
MICRO-FIT CPI™ (COMPLIANT PIN INTERFACE)							
For quantities greater than listed, call for quote.							
MOUSER STOCK NO.	Molex Part No.	Fig.	No. of Circuits	Plating	Price Each		
					1	10	100
Vertical Headers - Press-Fit - Solderless							
538-44914-0201	44914-0201	H	2	Tin	1,67	1,52	1,38
538-44914-0401	44914-0401	H	4	Tin	2,60	2,38	2,14
538-44914-0601	44914-0601	H	6	Tin	3,29	3,04	2,73
538-44914-0801	44914-0801	H	8	Tin	4,04	3,71	3,34
538-44914-1001	44914-1001	H	10	Tin	4,71	4,34	3,91
538-44914-1201	44914-1201	H	12	Tin	5,44	5,00	4,50

MOLEX MICRO-FIT 3.0™ BMI Connectors

Products may be RoHS compliant.
Check mouser.com for RoHS status.

Specifications:

- Electrical: 250V
- Current: 5.0A
- Housing: UL94V-0
- Contact: Phosphor Bronze

Features:

- Innovative panel mounting design holds connectors firmly in place
- Fully isolated contacts prevent terminal damage
- Fully polarized to prevent mismatching

VERTICAL RECEPTACLE HEADER WITH FRICTION PEGS

Tin Plated

For quantities greater than listed, call for quote.

MOUSER STOCK NO.	Molex Part No.	Fig.	No. of Circuits	Dimensions: mm		Price Each		
				A	B	1	10	100
538-44769-0401	44769-0401	A	4	12.00	3.00	2,81	2,47	1,65
538-44769-0601	44769-0601	A	6	15.00	6.00	3,45	2,83	2,08
538-44769-0801	44769-0801	A	8	18.00	9.00	4,32	3,82	2,54
538-44769-1001	44769-1001	A	10	21.00	12.00	5,08	4,47	2,97
538-44769-1201	44769-1201	A	12	24.00	15.00	5,82	5,12	3,40
538-44769-1601	44769-1601	A	16	30.00	21.00	7,34	6,47	4,30

Gold Plated

For quantities greater than listed, call for quote.

MOUSER STOCK NO.	Molex Part No.	Fig.	No. of Circuits	Dimensions: mm		Price Each		
				A	B	1	10	100
538-44769-0402	44769-0402	A	4	12.00	3.00	3,51	3,10	2,05
538-44769-0602	44769-0602	A	6	15.00	6.00	4,46	3,79	2,62
538-44769-0802	44769-0802	A	8	18.00	9.00	5,42	4,68	3,18
538-44769-1002	44769-1002	A	10	21.00	12.00	6,37	5,61	3,73
538-44769-1202	44769-1202	A	12	24.00	15.00	7,29	6,42	4,27
538-44769-1402	44769-1402	A	14	27.00	18.00	8,25	7,28	4,84
538-44769-1602	44769-1602	A	16	30.00	21.00	9,17	8,08	5,39

RIGHT-ANGLE RECEPTACLE HEADER WITH FRICTION PEGS

Tin Plated

For quantities greater than listed, call for quote.

MOUSER STOCK NO.	Molex Part No.	Fig.	No. of Circuits	Dimensions: mm		Price Each		
				A	B	1	10	100
538-44764-0401	44764-0401	B	4	6.70	3.00	2,20	1,77	1,58
538-44764-0601	44764-0601	B	6	9.70	6.00	3,98	3,50	2,32
538-44764-0801	44764-0801	B	8	12.70	9.00	3,50	3,44	2,68
538-44764-1001	44764-1001	B	10	15.70	12.00	5,68	5,01	3,33
538-44764-1201	44764-1201	B	12	18.70	15.00	6,53	5,75	3,83
538-44764-1601	44764-1601	B	16	24.70	21.00	7,84	6,91	4,60

Gold Plated

For quantities greater than listed, call for quote.

MOUSER STOCK NO.	Molex Part No.	Fig.	No. of Circuits	Dimensions: mm		Price Each		
				A	B	1	10	100
538-44764-0402	44764-0402	B	4	6.70	3.00	2,74	2,21	1,97
538-44764-0602	44764-0602	B	6	9.70	6.00	4,98	4,38	2,92
538-44764-0802	44764-0802	B	8	12.70	9.00	3,90	3,39	3,06
538-44764-1002	44764-1002	B	10	15.70	12.00	7,10	6,26	4,18
538-44764-1202	44764-1202	B	12	18.70	15.00	5,26	4,59	4,13
538-44764-1402	44764-1402	B	14	21.70	18.00	9,22	8,14	5,42
538-44764-1602	44764-1602	B	16	24.70	21.00	6,62	5,75	5,18

VERTICAL HEADER WITH POLARIZING PEGS

• RoHS Compliant per Molex documentation

Tin Plated

For quantities greater than listed, call for quote.

MOUSER STOCK NO.	Molex Part No.	Fig.	No. of Circuits	Dimensions: mm		Price Each		
				A	B	1	10	100
538-44432-0401	44432-0401	C	4	13.00	3.00	1,86	1,64	1,09
538-44432-0601	44432-0601	C	6	16.00	6.00	2,36	2,07	1,38
538-44432-0801	44432-0801	C	8	19.00	9.00	2,86	2,51	1,68
538-44432-1001	44432-1001	C	10	22.00	12.00	3,35	2,95	1,96
538-44432-1601	44432-1601	C	16	31.00	21.00	4,84	4,27	2,84

Gold Plated

For quantities greater than listed, call for quote.

MOUSER STOCK NO.	Molex Part No.	Fig.	No. of Circuits	Dimensions: mm		Price Each		
				A	B	1	10	100
538-44432-0402	44432-0402	C	4	13.00	3.00	1,60	1,30	1,17
538-44432-0602	44432-0602	C	6	16.00	6.00	2,95	2,60	1,73
538-44432-0802	44432-0802	C	8	19.00	9.00	3,58	3,15	2,10
538-44432-1002	44432-1002	C	10	22.00	12.00	4,21	3,70	2,46
538-44432-1202	44432-1202	C	12	25.00	15.00	4,81	4,24	2,82
538-44432-1402	44432-1402	C	14	28.00	18.00	5,46	4,80	3,20
538-44432-1602	44432-1602	C	16	31.00	21.00	6,06	5,35	3,56

RIGHT-ANGLE HEADER WITH SNAP-IN PLASTIC PEG

Tin Plated

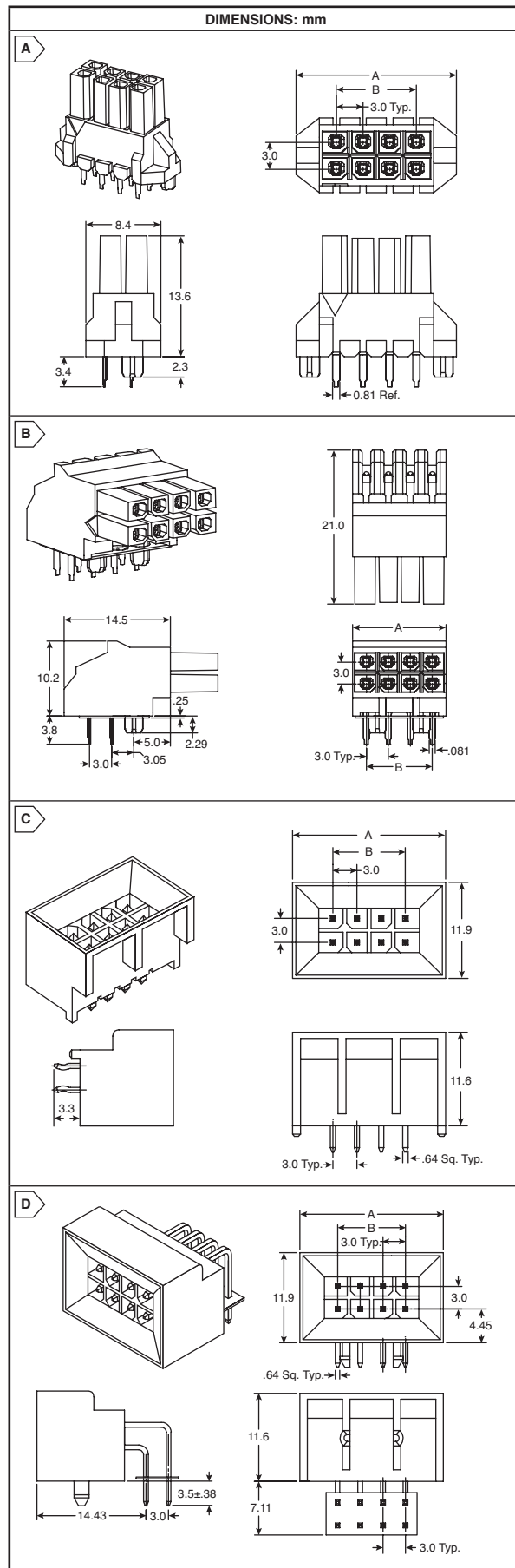
For quantities greater than listed, call for quote.

MOUSER STOCK NO.	Molex Part No.	Fig.	No. of Circuits	Dimensions: mm		Price Each		
				A	B	1	10	100
538-44428-0401	44428-0401	D	4	13.00	3.00	2,24	1,97	1,32
538-44428-0801	44428-0801	D	8	19.00	9.00	3,46	3,05	2,03
538-44428-1201	44428-1201	D	12	25.00	15.00	4,66	4,11	2,74
538-44428-1401	44428-1401	D	14	28.00	18.00	5,26	4,64	3,10
538-44428-1601	44428-1601	D	16	31.00	21.00	5,88	5,17	3,45

Gold Plated

For quantities greater than listed, call for quote.

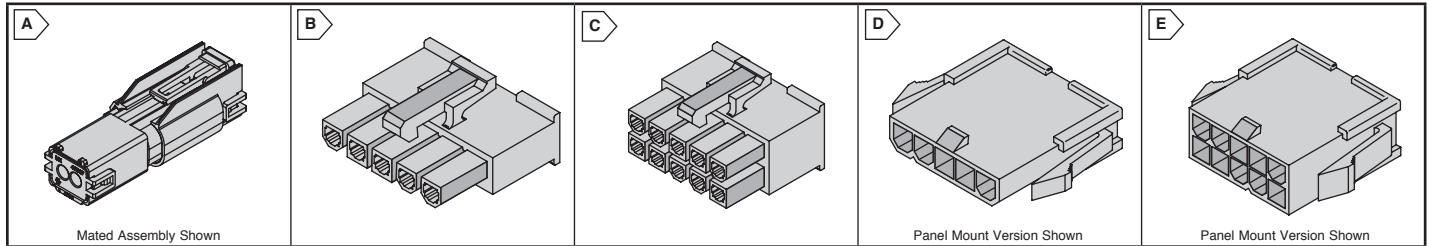
MOUSER STOCK NO.	Molex Part No.	Fig.	No. of Circuits	Dimensions: mm		Price Each		
				A	B	1	10	100
538-44428-0402	44428-0402	D	4	13.00	3.00	2,80	2,46	1,65
538-44428-0602	44428-0602	D	6	16.00	6.00	3,55	3,13	2,08
538-44428-0802	44428-0802	D	8	19.00	9.00	4,34	3,82	2,54
538-44428-1002	44428-1002	D	10	22.00	12.00	5,42	5,42	3,42
538-44428-1402	44428-1402	D	14	28.00	18.00	6,49	5,68	3,80



Rectangular Connectors Molex

MOLEX Mini-Fit® H2O and Mini-Fit Jr™ Connectors

one company • a world of innovation



MINI-FIT® H2O SEALED CONNECTORS

Specifications:

- 4.20mm pitch
- IP67 rated
- interface & wire seals pre-installed
- 18-20 AWG
- 9.0A per circuit max
- 600V max



RoHS Compliant

For quantities greater than listed, call for quote.

MOUSER STOCK NO.	Molex Part No.	Fig.	Description	Price Each		
				1	10	100
Receptacle						
538-46064-0032	46064-0032	A	2 Ckt Receptacle	2,95	2,72	2,06
Plug						
538-46065-0032	46065-0032	A	2 Ckt Plug	3,25	2,99	2,27
Terminals						
538-46055-0007	46055-0007	-	Female, Tin	0,19	0,143	0,118
538-46056-0004	46056-0004	-	Male, Tin	0,16	0,123	0,105
Tool						
538-63819-1800	63819-1800	-	Hand Crimp	313,92	-	-

Plugs (Cont.)

For quantities greater than listed, call for quote.

MOUSER STOCK NO.	Molex Part No.	Fig.	No. of Circuits	UL Rating	Price Each		
					1	10	100
Dual Row - Panel Mount - 5559 Series							
538-39-01-2021	39-01-2021	E	2	94V-2	0,29	0,26	0,185
538-39-01-2026	39-01-2026	E	2	94V-0	0,49	0,47	0,45
538-39-01-2041	39-01-2041	E	4	94V-2	0,34	0,30	0,206
538-39-01-2046	39-01-2046	E	4	94V-0	0,51	0,48	0,462
538-39-01-2061	39-01-2061	E	6	94V-2	0,41	0,37	0,217
538-39-01-2066	39-01-2066	E	6	94V-0	0,66	0,63	0,60
538-39-01-2081	39-01-2081	E	8	94V-2	0,46	0,43	0,239
538-39-01-2086	39-01-2086	E	8	94V-0	0,72	0,70	0,68
538-39-01-2101	39-01-2101	E	10	94V-2	0,52	0,49	0,283
538-39-01-2106	39-01-2106	E	10	94V-0	0,84	0,80	0,763
538-39-01-2121	39-01-2121	E	12	94V-2	0,62	0,55	0,293
538-39-01-2126	39-01-2126	E	12	94V-0	0,89	0,85	0,807
538-39-01-2141	39-01-2141	E	14	94V-2	0,52	0,49	0,471
538-39-01-2146	39-01-2146	E	14	94V-0	0,87	0,83	0,788
538-39-01-2161	39-01-2161	E	16	94V-2	0,94	0,89	0,848
538-39-01-2166	39-01-2166	E	16	94V-0	1,38	1,31	1,25
538-39-01-2181	39-01-2181	E	18	94V-2	0,79	0,77	0,762
538-39-01-2201	39-01-2201	E	20	94V-2	0,96	0,94	0,922
538-39-01-2221	39-01-2221	E	22	94V-2	1,14	1,08	1,02
538-39-01-2241	39-01-2241	E	24	94V-2	1,88	1,67	1,13
Dual Row - Free Hanging - 5559 Series							
538-39-01-3023	39-01-3023	E	2	94V-2	0,25	0,24	0,23
538-39-01-3029	39-01-3029	E	2	94V-0	0,43	0,42	0,414
538-39-01-3043	39-01-3043	E	4	94V-2	0,28	0,27	0,263
538-39-01-3049	39-01-3049	E	4	94V-0	0,46	0,45	0,442
538-39-01-3063	39-01-3063	E	6	94V-2	0,33	0,31	0,301
538-39-01-3069	39-01-3069	E	6	94V-0	0,63	0,57	0,546
538-39-01-3083	39-01-3083	E	8	94V-2	0,65	0,572	0,387
538-39-01-3089	39-01-3089	E	8	94V-0	1,04	0,828	0,556
538-39-01-3103	39-01-3103	E	10	94V-2	0,37	0,36	0,357
538-39-01-3109	39-01-3109	E	10	94V-0	0,59	0,521	0,439
538-39-01-3123	39-01-3123	E	12	94V-2	0,43	0,42	0,414
538-39-01-3129	39-01-3129	E	12	94V-0	1,19	1,04	0,699
538-39-01-3143	39-01-3143	E	14	94V-2	0,68	0,593	0,593
538-39-01-3183	39-01-3183	E	18	94V-2	1,09	0,93	0,801

MINI-FIT JR.™ CONNECTORS

Specifications:

- 4.20mm pitch
- 9.0A per circuit max
- 600V max
- Fully isolated terminals



RoHS Compliant

For quantities greater than listed, call for quote.

MOUSER STOCK NO.	Molex Part No.	Fig.	No. of Circuits	UL Rating	Price Each		
					1	10	100
Single Row - 5557 Series							
538-39-01-4030	39-01-4030	B	3	94V-2	0,45	0,396	0,253
538-39-01-4031	39-01-4031	B	3	94V-0	0,75	0,654	0,437
538-39-01-4040	39-01-4040	B	4	94V-2	0,58	0,48	0,301
538-39-01-4041	39-01-4041	B	4	94V-0	0,87	0,695	0,64
538-39-01-4050	39-01-4050	B	5	94V-2	0,60	0,521	0,352
538-39-01-4051	39-01-4051	B	5	94V-0	0,84	0,715	0,501
Dual Row - 5557 Series							
538-39-01-2020	39-01-2020	C	2	94V-2	0,23	0,22	0,152
538-39-01-2025	39-01-2025	C	2	94V-0	0,36	0,34	0,325
538-39-01-2040	39-01-2040	C	4	94V-2	0,29	0,25	0,162
538-39-01-2045	39-01-2045	C	4	94V-0	0,40	0,38	0,368
538-39-01-2060	39-01-2060	C	6	94V-2	0,37	0,32	0,206
538-39-01-2065	39-01-2065	C	6	94V-0	0,53	0,51	0,486
538-39-01-2080	39-01-2080	C	8	94V-2	0,39	0,36	0,239
538-39-01-2085	39-01-2085	C	8	94V-0	0,57	0,54	0,514
538-39-01-2100	39-01-2100	C	10	94V-2	0,41	0,37	0,283
538-39-01-2105	39-01-2105	C	10	94V-0	0,66	0,63	0,60
538-39-01-2120	39-01-2120	C	12	94V-2	0,50	0,45	0,315
538-39-01-2125	39-01-2125	C	12	94V-0	0,74	0,70	0,668
538-39-01-2140	39-01-2140	C	14	94V-2	0,68	0,64	0,615
538-39-01-2145	39-01-2145	C	14	94V-0	1,28	1,21	1,15
538-39-01-2160	39-01-2160	C	16	94V-2	0,53	0,49	0,391
538-39-01-2165	39-01-2165	C	16	94V-0	1,28	1,21	1,15
538-39-01-2180	39-01-2180	C	18	94V-2	0,68	0,64	0,615
538-39-01-2185	39-01-2185	C	18	94V-0	1,32	1,25	1,19
538-39-01-2200	39-01-2200	C	20	94V-2	0,55	0,51	0,444
538-39-01-2205	39-01-2205	C	20	94V-0	1,56	1,48	1,41
538-39-01-2220	39-01-2220	C	22	94V-2	1,09	1,03	0,985
538-39-01-2225	39-01-2225	C	22	94V-0	1,63	1,55	1,47
538-39-01-2240	39-01-2240	C	24	94V-2	1,43	1,26	0,842
538-39-01-2245	39-01-2245	C	24	94V-0	2,03	1,80	1,20

Plugs

For quantities greater than listed, call for quote.

MOUSER STOCK NO.	Molex Part No.	Fig.	No. of Circuits	UL Rating	Price Each		
					1	10	100
Single Row - Panel Mount - 5559 Series							
538-39-01-4032	39-01-4032	D	3	94V-2	0,54	0,419	0,29
538-39-01-4033	39-01-4033	D	3	94V-0	0,83	0,726	0,487
538-39-01-4052	39-01-4052	D	5	94V-2	0,29	0,28	0,272
538-39-01-4053	39-01-4053	D	5	94V-0	0,61	0,531	0,362
Single Row - Free Hanging - 5559 Series							
538-39-01-4036	39-01-4036	D	3	94V-2	0,29	0,28	0,272
538-39-01-4037	39-01-4037	D	3	94V-0	0,68	0,511	0,445
538-39-01-4046	39-01-4046	D	4	94V-2	0,31	0,30	0,292
538-39-01-4047	39-01-4047	D	4	94V-0	0,71	0,603	0,413
538-39-01-4056	39-01-4056	D	5	94V-2	0,60	0,521	0,357
538-39-01-4057	39-01-4057	D	5	94V-0	0,58	0,584	0,584

Terminals

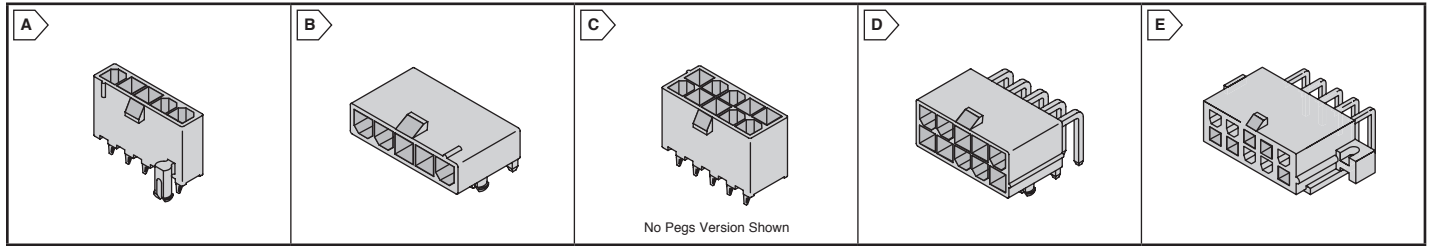
- Use with Series 5557, 5559 Receptacles and Plugs

For quantities greater than listed, call for quote.

MOUSER STOCK NO.	Molex Part No.	Fig.	Gender	Plating	AWG	Price Each	
						1	100
High Current - Up to 13A Max (When Used With a Right Angle Header) - 45750 / 46012 Series							
538-45750-3112	45750-3112	-	Female	Tin	16	0,17	0,127
538-45750-1212	45750-1212	-	Female	Gold	18-24	0,66	0,444
538-46012-3142	46012-3142	-	Male	Tin	16	0,24	0,176
High Current - Up to 12A Max - 44476 / 4447* Series							
538-44476-3112	44476-3112	-	Female	Tin	16	0,22	0,199
538-44476-1112	44476-1112	-	Female	Tin	18-20	0,26	0,199
538-44478-3112	44478-3112	-	Male	Tin	16	0,29	0,204
538-44478-1112	44478-1112	-	Male	Tin	18-20	0,23	0,204
5556 / 5558 Series							
538-39-00-0078	39-00-0078	-	Female	Tin	16	0,17	0,123
538-39-00-0186	39-00-0186	-	Female	Gold	16	0,84	0,603
538-39-00-0080	39-00-0080	-	Female	Tin	16	0,19	0,164
538-39-00-0039	39-00-0039	-	Female	Tin	18-24	0,11	0,092
538-39-00-0182	39-00-0182	-	Female	Gold	18-24	0,92	0,542
538-39-00-0060	39-00-0060	-	Female	Tin	18-24	0,22	0,153
538-39-00-0047	39-00-0047	-	Female	Tin	22-28	0,10	0,098
538-39-00-0082	39-00-0082	-	Male	Tin	16	0,16	0,104
538-39-00-0096	39-00-0096	-	Male	Gold	16	0,65	0,446
538-39-00-0041	39-00-0041	-	Male	Tin	18-24	0,11	0,092
538-39-00-0062	39-00-0062	-	Male	Tin	18-26	0,24	0,153
538-39-00-0220	39-00-0220	-					

MOLEX Mini-Fit Jr.™ and Mini-Fit® RTC Connectors

one company a world of innovation



MINI-FIT JR.™ CONNECTORS

Specifications:

- 4.20mm pitch
- 9.0A per circuit max
- 600V max
- Fully isolated terminals



For quantities greater than listed, call for quote.

PCB Headers

For quantities greater than listed, call for quote.

MOUSER STOCK NO.	Molex Part No.	Fig.	No. of Circuits	UL Rating	Contact Plating	Price Each		
						1	10	100
Single Row - Vertical - Pegs - 5566 Series								
538-39-30-1039	39-30-1039	A	3	94V-2	Tin	1,07	0,95	0,633
538-39-30-2030	39-30-2030	A	3	94V-0	Tin	0,76	0,74	0,734
538-39-30-2031	39-30-2031	A	3	94V-2	Gold	3,55	2,66	1,77
538-39-30-2040	39-30-2040	A	4	94V-0	Tin	1,42	1,30	0,79
538-39-30-2050	39-30-2050	A	5	94V-0	Tin	1,11	1,09	1,07
Single Row - Right Angle - Pegs - 5569 Series								
538-39-30-3035	39-30-3035	B	3	94V-2	Tin	1,37	1,21	0,801
538-39-30-3036	39-30-3036	B	3	94V-0	Tin	0,98	0,95	0,93
538-39-30-3038	39-30-3038	B	3	94V-0	Gold	2,55	2,55	2,55
538-39-30-3045	39-30-3045	B	4	94V-2	Tin	0,92	0,89	0,867
538-39-30-3047	39-30-3047	B	4	94V-2	Gold	2,87	2,87	2,87
538-39-30-3055	39-30-3055	B	5	94V-2	Tin	1,11	1,08	1,04
538-39-30-3056	39-30-3056	B	5	94V-0	Tin	1,29	1,25	1,21
538-39-30-3058	39-30-3058	B	5	94V-2	Gold	3,92	3,47	3,47
Dual Row - Vertical - Pegs - 5566 Series								
538-39-29-9023	39-29-9023	C	2	94V-2	Tin	0,47	0,46	0,451
538-39-29-9027	39-29-9027	C	2	94V-0	Tin	0,72	0,719	0,719
538-39-29-9025	39-29-9025	C	2	94V-2	Gold	0,79	0,731	0,731
538-39-29-9043	39-29-9043	C	4	94V-2	Tin	0,82	0,80	0,79
538-39-29-9047	39-29-9047	C	4	94V-0	Tin	0,86	0,84	0,828
538-39-29-9049	39-29-9049	C	4	94V-0	Gold	2,01	1,84	1,64
538-39-29-9063	39-29-9063	C	6	94V-2	Tin	1,10	1,09	0,962
538-39-29-9067	39-29-9067	C	6	94V-0	Tin	1,37	1,26	1,12
538-39-29-9083	39-29-9083	C	8	94V-2	Tin	1,32	1,08	1,05
538-39-29-9087	39-29-9087	C	8	94V-0	Tin	1,72	1,67	1,57
538-39-29-9089	39-29-9089	C	8	94V-0	Gold	3,58	3,17	-
538-39-29-9103	39-29-9103	C	10	94V-2	Tin	1,61	1,57	1,52
538-39-29-9107	39-29-9107	C	10	94V-0	Tin	2,25	1,96	1,54
538-39-29-9123	39-29-9123	C	12	94V-2	Tin	1,61	1,57	1,52
538-39-29-9127	39-29-9127	C	12	94V-0	Tin	3,00	2,11	1,74
538-39-29-9143	39-29-9143	C	14	94V-2	Tin	2,46	2,10	1,64
538-39-29-9147	39-29-9147	C	14	94V-0	Tin	2,96	2,74	1,95
538-39-29-9163	39-29-9163	C	16	94V-2	Tin	2,28	2,05	1,83
538-39-29-9183	39-29-9183	C	18	94V-2	Tin	2,74	2,46	1,96
538-39-29-9203	39-29-9203	C	20	94V-2	Tin	3,65	3,13	2,28
538-39-29-9207	39-29-9207	C	20	94V-0	Tin	4,66	4,11	2,74
538-39-29-9243	39-29-9243	C	24	94V-2	Tin	3,65	3,10	2,74
538-39-29-9247	39-29-9247	C	24	94V-0	Tin	4,26	3,56	-
Dual Row - Vertical - No Pegs - 5566 Series								
538-39-28-1023	39-28-1023	C	2	94V-2	Tin	0,85	0,654	0,432
538-39-28-8020	39-28-8020	C	2	94V-0	Tin	0,81	0,695	0,498
538-39-28-0023	39-28-0023	C	2	94V-2	Gold	1,57	1,36	0,985
538-39-28-1043	39-28-1043	C	4	94V-2	Tin	0,92	0,756	0,571
538-39-28-8040	39-28-8040	C	4	94V-0	Tin	1,24	1,09	0,732
538-39-29-0043	39-29-0043	C	4	94V-2	Gold	1,57	1,49	1,42
538-39-28-1063	39-28-1063	C	6	94V-2	Tin	1,26	1,07	0,744
538-39-28-8060	39-28-8060	C	6	94V-0	Tin	1,70	1,50	0,947
538-39-29-0063	39-29-0063	C	6	94V-2	Gold	2,16	2,12	2,08

MOUSER STOCK NO.	Molex Part No.	Fig.	No. of Circuits	UL Rating	Contact Plating	Price Each		
						1	10	100
Dual Row - Vertical - No Pegs - 5566 Series (Cont.)								
538-39-28-1083	39-28-1083	C	8	94V-2	Tin	1,78	1,54	1,02
538-39-28-8080	39-28-8080	C	8	94V-0	Tin	1,89	1,82	1,22
538-39-28-1103	39-28-1103	C	10	94V-2	Tin	2,15	1,81	1,27
538-39-29-0103	39-29-0103	C	10	94V-2	Gold	4,75	4,52	4,29
538-39-28-1123	39-28-1123	C	12	94V-2	Tin	1,98	1,74	1,15
538-39-28-8120	39-28-8120	C	12	94V-0	Tin	2,15	2,04	1,94
538-39-28-1143	39-28-1143	C	14	94V-2	Tin	2,81	2,61	1,74
538-39-28-1163	39-28-1163	C	16	94V-2	Tin	1,71	1,62	1,54
538-39-28-1183	39-28-1183	C	18	94V-2	Tin	3,91	3,45	2,29
538-39-28-1203	39-28-1203	C	20	94V-2	Tin	4,10	3,29	2,41
538-39-28-8200	39-28-8200	C	20	94V-0	Tin	4,66	3,67	2,47
538-39-28-1243	39-28-1243	C	24	94V-2	Tin	5,22	4,60	3,06
Dual Row - Right Angle - Pegs - 5569 Series								
538-39-30-1020	39-30-1020	D	2	94V-2	Tin	0,47	0,46	0,447
538-39-30-0020	39-30-0020	D	2	94V-0	Tin	1,06	0,838	0,624
538-39-30-1040	39-30-1040	D	4	94V-2	Tin	0,76	0,726	0,648
538-39-30-0040	39-30-0040	D	4	94V-0	Tin	1,30	1,02	0,811
538-39-30-1060	39-30-1060	D	6	94V-2	Tin	1,20	0,981	0,809
538-39-30-0060	39-30-0060	D	6	94V-0	Tin	1,72	1,51	1,01
538-39-30-1080	39-30-1080	D	8	94V-2	Tin	1,21	1,15	1,09
538-39-30-0080	39-30-0080	D	8	94V-0	Tin	2,08	1,64	1,46
538-39-30-1082	39-30-1082	D	8	94V-2	Gold	2,97	2,82	2,68
538-39-30-1100	39-30-1100	D	10	94V-2	Tin	1,43	1,40	1,37
538-39-30-0100	39-30-0100	D	10	94V-0	Tin	2,68	2,01	1,71
538-39-30-1120	39-30-1120	D	12	94V-2	Tin	2,58	2,27	1,51
538-39-30-0120	39-30-0120	D	12	94V-0	Tin	2,60	2,27	1,95
538-39-30-1121	39-30-1121	D	12	94V-0	Gold	4,55	3,53	3,08
538-39-30-1140	39-30-1140	D	14	94V-2	Tin	2,00	1,82	1,82
538-39-30-1142	39-30-1142	D	14	94V-0	Gold	4,96	4,72	4,48
538-39-30-1160	39-30-1160	D	16	94V-2	Tin	2,53	2,45	2,38
538-39-30-0160	39-30-0160	D	16	94V-0	Tin	4,30	3,35	2,54
538-39-30-1162	39-30-1162	D	16	94V-0	Gold	9,53	7,43	5,60
538-39-30-1180	39-30-1180	D	18	94V-2	Tin	2,40	2,31	2,04
538-39-30-1200	39-30-1200	D	20	94V-2	Tin	3,50	3,50	3,10
538-39-30-0200	39-30-0200	D	20	94V-0	Tin	3,56	3,46	3,35
538-39-30-1240	39-30-1240	D	24	94V-2	Tin	4,74	4,29	3,70
Dual Row - Right Angle - Flanges - 5569 Series								
538-39-29-1028	39-29-1028	E	2	94V-2	Tin	1,06	0,858	0,617
538-39-29-1027	39-29-1027	E	2	94V-0	Tin	0,87	0,644	0,53
538-39-29-1048	39-29-1048	E	4	94V-2	Tin	1,20	0,991	0,731
538-39-29-1047	39-29-1047	E	4	94V-0	Tin	1,07	0,961	0,866
538-39-29-1068	39-29-1068	E	6	94V-2	Tin	1,71	1,37	1,02
538-39-29-1088	39-29-1088	E	8	94V-2	Tin	2,11	1,86	1,21
538-39-29-1108	39-29-1108	E	10	94V-2	Tin	2,53	2,23	1,48
538-39-29-1128	39-29-1128	E	12	94V-2	Tin	1,95	1,77	1,68
538-39-29-1148	39-29-1148	E	14	94V-2	Tin	1,60	1,55	1,50
538-39-29-1168	39-29-1168	E	16	94V-2	Tin	2,61	2,48	2,35
538-39-29-1188	39-29-1188	E	18	94V-2	Tin	2,77	2,53	2,10
538-39-29-1208	39-29-1208	E	20	94V-2	Tin	4,01	3,76	3,27
538-39-29-1248	39-29-1248	E	24	94V-2	Tin	4,78	4,54	4,32

Rectangular Connectors Molex

MINI-FIT® RTC VERTICAL HEADERS

Mini-Fit reflow temperature compatible (RTC) headers enjoy the same features as Mini-Fit Jr.™ plus are lead-free process compatible.

Specifications:

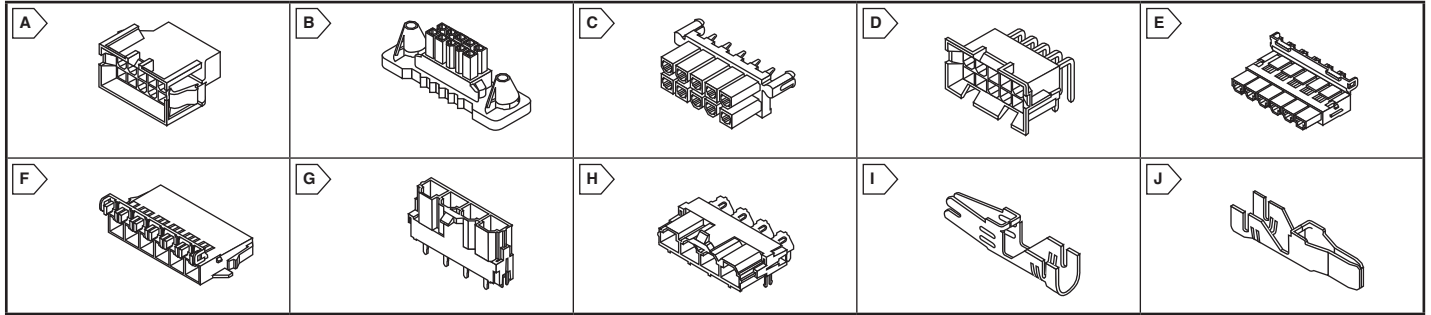
- Mates with Mini-Fit® receptacles
- 4.20mm pitch
- 12.0A max
- Press-fit PCB pegs
- High-current Mini-Fit® plus HCS pins
- High Temp LCP housing

For quantities greater than listed, call for quote.

MOUSER STOCK NO.	Molex Part No.	No. of Circuits	UL Rating	PCB Thickness	Price Each		
					1	10	100
538-46207-0004	46207-0004	4	94V-0	1.57mm	2,08	1,97	1,52
538-46207-0006	46207-0006	6	94V-0	1.57mm	3,70	3,38	2,29
538-46207-0008	46207-0008	8	94V-0	1.57mm	4,77	3,58	2,75
538-46207-0010	46207-0010	10	94V-0	1.57mm	3,19	3,98	3,05
538-46207-0012	46207-0012	12	94V-0	1.57mm	5,56	5,23	3,50
538-46207-0024	46207-0024	24	94V-0	1.57mm	10,53	9,98	6,96
538-46207-0104	46207-0104	4	94V-0	2.36mm	1,74	1,66	1,46
538-46207-0106	46207-0106	6	94V-0	2.36mm	2,62	2,49	2,23
538-46207-0108	46207-0108	8	94V-0	2.36mm	3,15	2,98	2,69

MOLEX Mini-Fit® BMI and Mini-Fit Sr.™ Connectors

RoHS Compliant **This product is RoHS compliant.**



MINI-FIT® BMI (BLIND MATING SYSTEM) CONNECTORS

Features:

- Fully isolated terminals to protect contacts from damage
- Uses standard Mini-Fit® series terminals on previous page
- Dual Row

Specifications:

- Housing: 6/6 Nylon
- 600V rating
- Temperature: -40 to +105°C
- Pitch: 4.20mm (.165")



Plugs - Dual Row

- RoHS Compliant per Molex documentation

For quantities greater than listed, call for quote.

MOUSER STOCK NO.	Molex Part No.	Fig.	No. of Circuits	Price Each			
				1	10	100	500
With Panel Mount Ears, UL94V-2, 42475 Series							
538-15-06-0045	15-06-0045	A	4	0,45	0,44	0,428	0,416
538-15-06-0065	15-06-0065	A	6	0,56	0,54	0,529	0,513
538-15-06-0085	15-06-0085	A	8	0,38	0,36	0,342	0,325
538-15-06-0105	15-06-0105	A	10	0,64	0,62	0,602	0,584
538-15-06-0145	15-06-0145	A	14	0,95	0,91	0,732	0,732
538-15-06-0185	15-06-0185	A	18	1,96	1,74	1,15	0,974
538-15-06-0245	15-06-0245	A	24	2,77	2,21	1,61	1,43

Receptacles - Dual Row

- RoHS Compliant per Molex documentation

MOUSER STOCK NO.	Molex Part No.	Fig.	No. of Circuits	Price Each			
				1	10	100	500
With Panel Mount Ears, UL94V-2, 42474 Series							
538-15-06-0040	15-06-0040	B	4	0,88	0,746	0,563	0,444
538-15-06-0060	15-06-0060	B	6	0,61	0,60	0,592	0,581
538-15-06-0080	15-06-0080	B	8	1,28	1,14	0,801	0,701
538-15-06-0100	15-06-0100	B	10	0,84	0,82	0,809	0,793
538-15-06-0140	15-06-0140	B	14	1,25	1,21	1,17	1,14
538-15-06-0180	15-06-0180	B	18	1,50	1,47	1,44	1,42
538-15-06-0240	15-06-0240	B	24	2,95	2,60	2,30	2,30
538-43760-0001	43760-0001	B	36	4,23	3,91	3,38	2,73
With Panel Mount Ears, UL94V-0, 42474 Series							
538-15-06-0041	15-06-0041	B	4	1,19	1,03	0,78	0,69
538-15-06-0061	15-06-0061	B	6	1,32	1,18	0,961	0,839
538-15-06-0101	15-06-0101	B	10	1,62	1,38	1,05	0,855
538-15-06-0141	15-06-0141	B	14	2,38	2,10	1,46	1,46
538-15-06-0181	15-06-0181	B	18	3,26	2,87	1,91	1,53
538-15-06-0241	15-06-0241	B	24	4,61	3,85	2,71	2,17

Terminals

For quantities greater than listed, call for quote.

MOUSER STOCK NO.	Molex Part No.	Fig.	AWG	Price Each			
				1	100	500	1000
538-39-00-0096	39-00-0096	---	16	0,65	0,446	0,347	0,295
538-39-00-0062	39-00-0062	---	18-24	0,24	0,153	0,13	0,117

PCB HEADERS

For quantities greater than listed, call for quote.

MOUSER STOCK NO.	Molex Part No.	Fig.	No. of Circuits	Contact Plating	Price Each			
					1	10	100	500
Receptacle Headers, Vertical, UL94V-2, 42385 Series								
538-15-24-7040	15-24-7040	C	4	Tin	1,29	1,25	1,21	1,17
538-15-24-7060	15-24-7060	C	6	Tin	2,83	2,49	1,67	1,33
538-15-24-7100	15-24-7100	C	10	Tin	2,58	2,45	2,33	2,21
538-15-24-7140	15-24-7140	C	14	Tin	2,46	2,33	2,22	2,10
538-15-24-7180	15-24-7180	C	18	Tin	6,11	5,36	3,85	3,09
538-15-24-7240	15-24-7240	C	24	Tin	3,98	3,90	3,83	3,75
Receptacle Headers, Vertical, UL94V-0, 42385 Series								
538-15-24-7061	15-24-7061	C	6	Tin	1,58	1,55	1,52	1,49
538-15-24-7101	15-24-7101	C	10	Tin	3,37	3,05	2,38	1,90
538-15-24-7141	15-24-7141	C	14	Tin	3,09	2,94	2,79	2,65
538-15-24-7241	15-24-7241	C	24	Tin	4,60	4,51	4,42	4,33
Right Angle Headers, UL94V-2, 42404 Series								
538-15-24-6040	15-24-6040	D	4	Tin	2,08	1,84	1,22	1,08
538-15-24-6060	15-24-6060	D	6	Tin	1,90	1,81	1,72	1,63
538-15-24-6140	15-24-6140	D	14	Tin	3,03	2,87	2,73	2,59
538-15-24-6180	15-24-6180	D	18	Tin	6,10	5,44	3,63	3,17
538-15-24-6240	15-24-6240	D	24	Tin	4,47	4,25	4,03	3,83

PCB HEADERS (CONT.)

For quantities greater than listed, call for quote.

MOUSER STOCK NO.	Molex Part No.	Fig.	No. of Circuits	Contact Plating	Price Each			
					1	10	100	500
Right Angle Headers, UL94V-0, 42404 Series								
538-15-24-9064	15-24-9064	D	6	Tin	2,85	2,51	1,68	1,34
538-15-24-9104	15-24-9104	D	10	Tin	2,57	2,25	1,94	1,82
538-15-24-9144	15-24-9144	D	14	Tin	3,34	3,24	3,14	3,05
538-15-24-9244	15-24-9244	D	24	Tin	6,79	6,00	5,71	4,42

MINI-FIT, SR.™ CONNECTORS - 10.00MM (.393") PITCH

Features:

- High Current
- Fully polarized
- Positive Locks
- Single Row
- Low engagement force
- Wire-to-wire, wire-to-board

Specifications:

- Plating: Tin over Nickel
- Contact: Copper Alloy
- Receptacles/Plugs: Polyester, UL94V-0
- Headers: Glass-filled, 4/6 Nylon, UL94V-0
- Voltage: 600V
- Temperature: -40 to +105°

For quantities greater than listed, call for quote.

MOUSER STOCK NO.	Molex Part No.	Fig.	No. of Circuits	Price Each			
				1	10	100	500
Receptacles, 42816 Series							
538-42816-0212	42816-0212	E	2	1,18	1,17	0,913	0,742
538-42816-0312	42816-0312	E	3	1,90	1,84	1,11	0,868
538-42816-0412	42816-0412	E	4	1,71	1,68	1,12	0,926
538-42816-0512	42816-0512	E	5	1,71	1,68	1,26	1,02
538-42816-0612	42816-0612	E	6	2,18	2,13	1,40	1,17
Plugs, 42818 Series							
538-42818-0212	42818-0212	F	2	1,42	1,39	0,913	0,778
538-42818-0312	42818-0312	F	3	1,83	1,73	1,32	1,04
538-42818-0412	42818-0412	F	4	1,71	1,68	1,21	0,97
538-42818-0512	42818-0512	F	5	1,99	1,94	1,26	1,07
538-42818-0612	42818-0612	F	6	1,94	1,92	1,50	1,22
Vertical Header with Metal Clip Mount, SMT, 42819 Series							
538-42819-2212	42819-2212	G	2	2,54	2,41	2,29	2,18
538-42819-3212	42819-3212	G	3	3,20	3,04	2,88	2,74
538-42819-4212	42819-4212	G	4	5,44	4,84	3,23	2,59
538-42819-5212	42819-5212	G	5	4,98	4,73	4,50	4,27
538-42819-6212	42819-6212	G	6	5,70	5,42	5,15	4,89
Right Angle Header with Metal Clip Mount, SMT, 42820 Series							
538-42820-2212	42820-2212	H	2	3,47	3,30	3,13	2,98
538-42820-3212	42820-3212	H	3	4,37	4,15	3,94	3,74
538-42820-4212	42820-4212	H	4	5,83	5,66	5,49	5,32
538-42820-5212	42820-5212	H	5	10,05	8,87	5,91	4,72
538-42820-6212	42820-6212	H	6	11,88	10,48	6,98	5,58

MINI-FIT, SR.™ TERMINALS

- High Current
- Low Engagement Force
- Female: four points of electrical contact

For quantities greater than listed, call for quote.

MOUSER STOCK NO.	Molex Part No.	Fig.	Wire Size AWG	Price Each			
				1	100	500	1000
Female, 42815 Series - Tin							
538-42815-0011	42815-0011	I	10-12	0,37	0,296	0,296	0,296
538-42815-0031	42815-0031	I	8	0,61	0,439	0,363	0,30
538-42815-0041	42815-0041	I	14-16	0,55	0,418	0,356	0,305
Female - Select Gold							
538-42815-0012	42815-0012	I	10-12	0,92	0,705	0,572	0,475
538-42815-0042	42815-0042	I	14-16	1,10	0,93	0,742	0,624
Male, 42817 Series - Tin							
538-42817-0011	42817-0011	J	10-12	0,46	0,402	0,334	0,274
538-42817-0031	42817-0031	J	8	0,49	0,439	0,363	0,292
538-42817-0041	42817-0041	J	14-16	0,69	0,521	0,444	0,379
Male - Select Gold							
538-42817-0012	42817-0012	J	10-12	1,92	1,25	0,998	0,983
538-42817-0042	42817-0042	J	14-16	1,23	1,02	0,888	0,801

TOOLS FOR MINI-FIT, SR.™

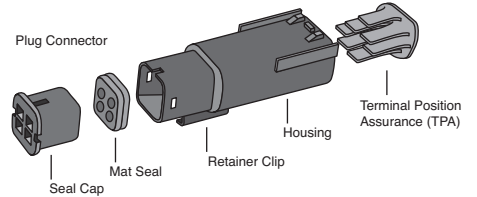
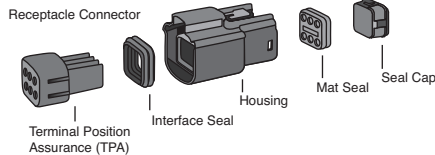
MOUSER STOCK NO.	Molex Part No.	Description	Price Each
538-63811-1500	63811-1500	Hand Crimp Tool 8 AWG	351,00
538-63811-1600	63811-1600	Hand Crimp Tool 10-12 AWG	385,19
538-63813-0400	63813-0400	Extraction Tool	112,24
538-63811-3800	63811-3800	Hand Crimp Tool	351,00

MOLEX MX150L™ Sealed Connector System



The MX150™ system from Molex is a rugged, environmentally-sealed connector system that supports both low-level signal applications as well as power applications up to 18.0A

*All discrete components shown to the right for both the receptacle and plug housings are pre-assembled. Terminals are simply crimped and poked into the housings. No additional wire seals, wedge locks or CPA locks are required.



5.84MM (.230") PITCH MX150L™ - SINGLE ROW CONNECTORS

Features:

- Environmentally sealed to IP67
- Integrated mat wire seal
- Integrated interface seal (receptacles only)
- Integrated terminal position assurance (TPA)
- Simple crimp and poke application
- Field serviceable contact removal system
- Tactile and audible mating feedback

Specifications:

- 5.84mm (.230") Pitch
- Housing: SPS Glass-filled Crystalline Polymer
- Operating Temperature: -55 to +125°C
- Dielectric Withstanding Voltage: 1500V AC min.
- Insulation Resistance: 1000MΩ



RoHS Compliant

For quantities greater than listed, call for quote.

MOUSER STOCK NO.	Molex Part No.	Fig.	No. of Circuits	Type	Wire Size AWG	Dimensions: mm (in.)				Price Each				
						A		1	10	50	100	1	10	50
538-19418-0016	19418-0016	A	2	Receptacle	22-18	22.15 (.872)	2,80	2,62	2,21	1,97				
538-19418-0017	19418-0017	A	2	Receptacle	16-14	22.15 (.872)	3,10	2,62	2,20	1,96				
538-19419-0008	19419-0008	B	2	Plug	22-18	18.95 (.746)	2,46	2,33	2,22	2,10				
538-19419-0007	19419-0007	B	2	Plug	16-14	18.95 (.746)	2,46	2,33	2,22	2,10				

5.84MM (.230") PITCH MX150L™ - DUAL ROW CONNECTORS

Receptacles

For quantities greater than listed, call for quote.

MOUSER STOCK NO.	Molex Part No.	Fig.	No. of Circuits	Wire Size AWG	Dimensions: mm (in.)				Price Each				
					A		1	10	50	100	1	10	50
538-19418-0018	19418-0018	C	4	22-18	22.15 (.872)	3,92	3,51	2,94	2,62				
538-19418-0019	19418-0019	C	4	16-14	22.15 (.872)	4,14	3,51	2,93	2,62				
538-19418-0020	19418-0020	C	6	22-18	27.99 (1.102)	6,04	5,11	4,29	3,82				
538-19418-0021	19418-0021	C	6	16-14	27.99 (1.102)	6,04	5,11	4,29	3,82				
538-19418-0022	19418-0022	C	8	22-18	33.83 (1.332)	7,12	6,04	5,08	4,52				
538-19418-0023	19418-0023	C	8	16-14	33.83 (1.332)	7,12	6,04	5,08	4,52				
538-19418-0024	19418-0024	C	10	22-18	39.67 (1.562)	9,27	7,84	6,58	5,87				
538-19418-0025	19418-0025	C	10	16-14	39.67 (1.562)	9,27	7,84	6,58	5,87				
538-19418-0038	19418-0038	C	12	22-18	45.51 (1.792)	8,19	7,68	6,40	6,18				
538-19418-0040	19418-0040	C	16	22-18	57.19 (2.252)	10,35	9,31	8,38	7,54				
538-19418-0039	19418-0039	C	16	16-14	57.19 (2.252)	10,12	10,01	9,20	8,46				

Plugs

For quantities greater than listed, call for quote.

MOUSER STOCK NO.	Molex Part No.	Fig.	No. of Circuits	Wire Size AWG	Dimensions: mm (in.)				Price Each				
					A		1	10	50	100	1	10	50
538-19419-0005	19419-0005	D	4	22-18	18.94 (.746)	4,15	3,50	2,94	2,62				
538-19419-0004	19419-0004	D	4	16-14	18.94 (.746)	4,15	3,50	2,94	2,62				
538-19419-0012	19419-0012	D	6	22-18	24.78 (.976)	5,76	4,89	4,10	3,87				
538-19419-0011	19419-0011	D	6	16-14	24.78 (.976)	5,26	4,99	4,74	4,51				
538-19419-0001	19419-0001	D	8	22-18	30.62 (1.206)	7,12	6,03	5,08	4,53				
538-19419-0002	19419-0002	D	8	16-14	30.62 (1.206)	7,12	6,03	5,08	4,53				
538-19419-0015	19419-0015	D	10	22-18	36.47 (1.436)	7,71	7,32	6,96	6,61				
538-19419-0014	19419-0014	D	10	16-14	36.47 (1.436)	9,27	7,84	6,58	5,87				
538-19419-0020	19419-0020	D	16	22-18	53.99 (2.126)	8,89	8,58	8,47	8,07				

Contacts

Features:

- Mat seal friendly design features center seam and coined edges
- Anti-over stress beam geometry feature
- Low insertion force

Specifications:

- Contact: C19025 Copper Alloy
- Plating: Tin
- Operating Temperature: -55 to +125°C
- Voltage: 600V
- Current: 18.0A
- Durability: 25 cycles for Tin plating



RoHS Compliant

For quantities greater than listed, call for quote.

MOUSER STOCK NO.	Molex Part No.	Fig.	Type	Wire Size AWG	Price Each			
					1	100	500	1000
538-19420-0010	19420-0010	E	Female	22-18	0,25	0,197	0,164	0,125
538-19420-0009	19420-0009	E	Female	16-14	0,26	0,204	0,173	0,13
538-19417-0048	19417-0048	F	Male	22-18	0,13	0,12	0,114	0,108
538-19417-0047	19417-0047	F	Male	16-14	0,26	0,194	0,162	0,123

Tools

For quantities greater than listed, call for quote.

MOUSER STOCK NO.	Molex Part No.	Fig.	Description	Price Each	
				1	5
538-63813-1500	63813-1500	G	Extraction Tool	35,99	27,87
538-63811-4400	63811-4400	H	Hand Crimp Tool	351,00	326,22
538-64016-0035	64016-0035	---	Service Tool (only)	40,93	38,53

MX150L™ CIRCUIT PLUG

With the application of optional circuit plugs, the MX150L™ system supports the ability to implement sealed blank cavities in both plug and receptacle housings. The circuit plugs occupy and fully seal the unused cavity and can be extracted and replaced with a standard male blade or female receptacle terminal. This feature provides the ability to plan for possible future circuit additions while maintaining the sealing integrity of the mated pair.

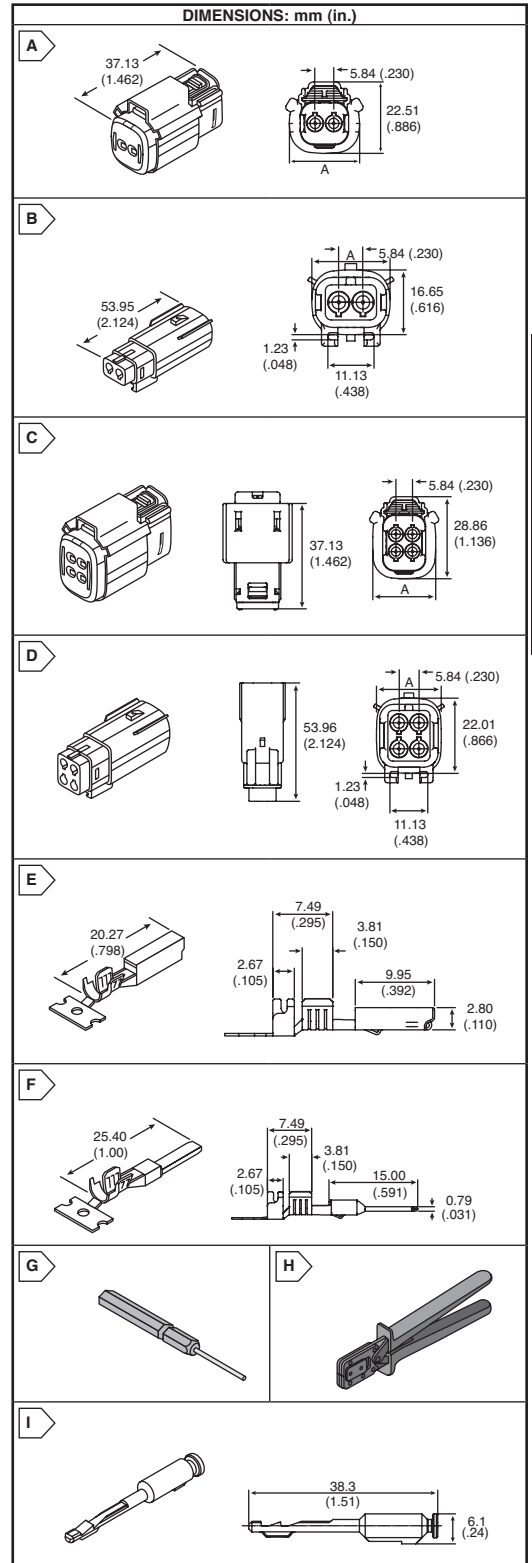


RoHS Compliant

Materials: • SPS Glass-filled Crystalline Polymer

For quantities greater than listed, call for quote.

MOUSER STOCK NO.	Molex Part No.	Fig.	Price Each			
			1	100	500	1000
538-19417-0119	19417-0119	I	0,26	0,225	0,197	0,157



Rectangular Connectors Molex

MOLEX FPC 0.25mm and 0.30mm Connectors

RoHS Compliant This product is RoHS compliant.

0.25MM FPC CONNECTORS

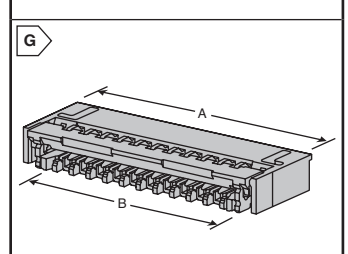
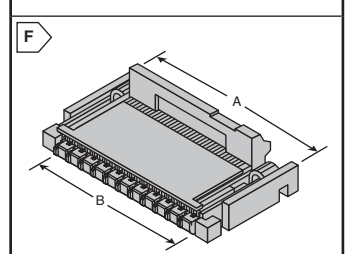
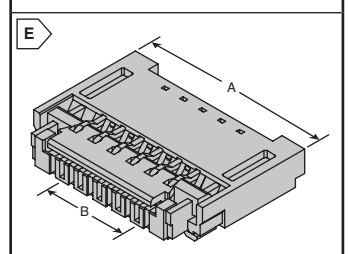
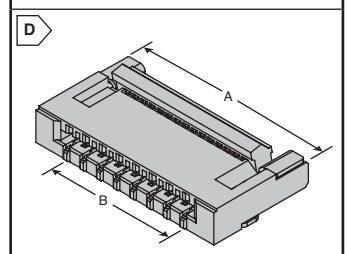
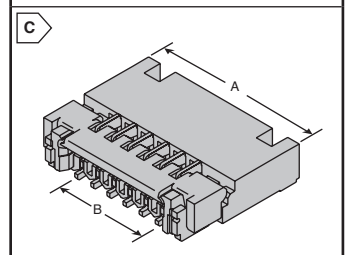
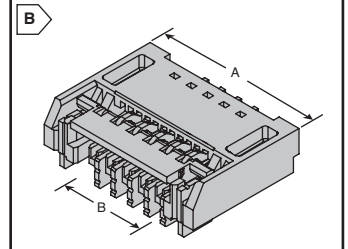
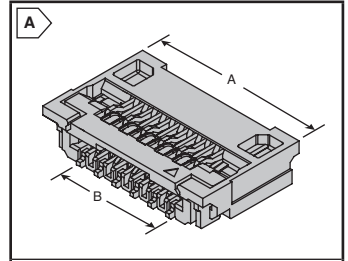
502078/503320 Series - Right Angle - SMT - Bottom Contact Style

- Features and Specs:**
- Smallest combined depth, height and length available
 - ZIF contact design
 - Easy-On Front Flip Actuator
 - Current Max: 0.2A
 - Contacts: Copper alloy
 - Housing: Heat Resistant Plastic Biege UL 94V-0
 - Actuator: Heat Resistant Plastic Black UL 94V-0



For quantities greater than listed, call for quote.

MOUSER STOCK NO.	Molex Part No.	Fig.	No. of Circuits	Contact Plating	Mated Height	Dimensions: mm		Price Each			
						A	B	1	10	100	250
538-502078-2110	502078-2110	A	21	Gold	1.0 mm (.039")	7.00	5.00	3,46	2,66	2,13	1,91
538-502078-2510	502078-2510	A	25	Gold	1.0 mm (.039")	8.00	6.00	3,94	3,04	2,42	2,19
538-502078-3910	502078-3910	A	39	Gold	1.0 mm (.039")	11.50	9.50	3,62	2,85	2,29	2,03
538-503320-2560	503320-2560	A	25	Gold	1.65 mm (.065")	8.00	6.00	2,26	1,91	1,65	1,47
538-503320-3760	503320-3760	A	37	Gold	1.65 mm (.065")	11.00	9.00	2,63	2,39	2,05	1,82
538-503320-4160	503320-4160	A	41	Gold	1.65 mm (.065")	12.00	10.00	2,93	2,67	2,29	2,03



0.30MM FPC CONNECTORS

501912 Series - 1.80mm Mated Height - Right Angle - SMT - LIF-Bottom Contact Style

- Features and Specs:**
- Space under body of connector
 - Easy-On Actuator
 - Current Max: 0.2A
 - Contacts: Copper alloy
 - Housing: High Temperature Thermoplastic UL 94V-0
 - Actuator: High Temperature Thermoplastic UL 94V-0

For quantities greater than listed, call for quote.

MOUSER STOCK NO.	Molex Part No.	Fig.	No. of Circuits	Contact Plating	Mated Height	Dimensions: mm		Price Each			
						A	B	1	10	100	250
538-501912-1590	501912-1590	B	15	Gold	1.80mm (.071")	6.60	4.20	1,21	1,04	0,844	0,769
538-501912-2190	501912-2190	B	21	Gold	1.80mm (.071")	8.40	6.00	1,62	1,36	1,05	0,953
538-501912-2590	501912-2590	B	25	Gold	1.80mm (.071")	9.60	7.20	2,04	1,73	1,40	1,25
538-501912-2790	501912-2790	B	27	Gold	1.80mm (.071")	10.20	7.80	2,12	1,79	1,46	1,30
538-501912-3390	501912-3390	B	33	Gold	1.80mm (.071")	12.00	9.60	2,68	2,28	1,85	1,67
538-501912-3790	501912-3790	B	37	Gold	1.80mm (.071")	13.20	10.80	3,00	2,56	2,07	1,86
538-501912-3990	501912-3990	B	39	Gold	1.80mm (.071")	13.80	11.40	3,19	2,72	2,22	1,99
538-501912-4190	501912-4190	B	41	Gold	1.80mm (.071")	14.40	12.00	3,35	2,84	2,32	2,08
538-501912-4590	501912-4590	B	45	Gold	1.80mm (.071")	15.60	13.20	3,68	3,40	2,54	2,30

54809 Series - 1.30mm Mated Height - Right Angle - SMT - ZIF - Bottom Contact Style

- Features and Specs:**
- Ultra Low Profile
 - Staggered dual-row PCB layout
 - Current Max: 0.3A
 - Contacts: Phosphor Bronze
 - Easy-On Actuator
 - Housing: LCP UL 94V-0
 - Actuator: PPS UL 94V-0

For quantities greater than listed, call for quote.

MOUSER STOCK NO.	Molex Part No.	Fig.	No. of Circuits	Contact Plating	Mated Height	Dimensions: mm		Price Each			
						A	B	1	10	100	250
538-54809-1198	54809-1198	C	11	Tin	1.30mm (.051")	5.60	3.00	1,89	1,45	1,17	1,04
538-54809-1998	54809-1998	C	19	Tin	1.30mm (.051")	8.00	5.40	3,33	2,54	2,03	1,83
538-54809-3398	54809-3398	C	33	Tin	1.30mm (.051")	12.20	9.60	4,72	3,63	2,89	2,61
538-54809-3998	54809-3998	C	39	Tin	1.30mm (.051")	14.00	11.40	4,94	3,78	3,03	2,72
538-54809-5198	54809-5198	C	51	Tin	1.30mm (.051")	17.60	15.00	7,46	5,72	4,58	4,13
538-54809-1175	54809-1175	C	11	Gold	1.30mm (.051")	5.60	3.00	1,76	1,57	1,40	1,28
538-54809-1575	54809-1575	C	15	Gold	1.30mm (.051")	6.80	4.20	2,36	2,16	1,94	1,75
538-54809-2175	54809-2175	C	21	Gold	1.30mm (.051")	8.60	6.00	3,27	2,91	2,69	2,47
538-54809-2575	54809-2575	C	25	Gold	1.30mm (.051")	9.80	7.20	3,36	3,06	2,79	2,53
538-54809-3175	54809-3175	C	31	Gold	1.30mm (.051")	11.60	9.00	3,98	3,66	3,29	2,97
538-54809-3975	54809-3975	C	39	Gold	1.30mm (.051")	14.00	11.40	4,18	3,86	3,46	3,13

501616 Series - 1.10mm Mated Height - Right Angle - SMT - LIF - Top Contact Style

- Features and Specs:**
- Ultra Low Profile
 - Easy-On Actuator
 - Current Max: 0.2A
 - Contacts: Copper alloy
 - Housing: Heat Resistant Polymer Black UL 94V-0
 - Actuator: Heat Resistant Polymer Gray UL 94V-0

For quantities greater than listed, call for quote.

MOUSER STOCK NO.	Molex Part No.	Fig.	No. of Circuits	Contact Plating	Mated Height	Dimensions: mm		Price Each			
						A	B	1	10	100	250
538-501616-1975	501616-1975	D	19	Gold	1.10mm (.043")	7.60	5.40	1,91	1,60	1,29	1,15
538-501616-2575	501616-2575	D	25	Gold	1.10mm (.043")	9.40	7.20	2,21	1,86	1,49	1,34
538-501616-2775	501616-2775	D	27	Gold	1.10mm (.043")	10.00	7.80	2,58	1,99	1,77	1,58
538-501616-2975	501616-2975	D	29	Gold	1.10mm (.043")	10.60	8.40	2,49	2,11	1,69	1,52
538-501616-3585	501616-3585	D	35	Gold	1.10mm (.043")	12.40	10.20	3,28	2,78	2,22	1,99
538-501616-4585	501616-4585	D	45	Gold	1.10mm (.043")	15.40	13.20	3,68	3,12	2,48	2,24

500797 Series - 1.05mm Mated Height - Right Angle - SMT - ZIF - Bottom Contact Style

- Features and Specs:**
- Ultra Low Profile and Short Width
 - Audible Click
 - Easy-On Actuator
 - Voltage Max: 50V
 - Current Max: 0.2A
 - Contacts: Copper alloy
 - Housing: Beige glass-filled LCP UL 94V-0
 - Actuator: Glass-filled Polyamide UL 94V-0
 - Operating Temperature: -20°C to +85°C

For quantities greater than listed, call for quote.

MOUSER STOCK NO.	Molex Part No.	Fig.	No. of Circuits	Contact Plating	Mated Height	Dimensions: mm		Price Each			
						A	B	1	10	100	250
538-500797-1594	500797-1594	E	15	Gold	1.05mm (.041")	6.60	4.20	1,95	1,65	1,33	1,19
538-500797-2594	500797-2594	E	25	Gold	1.05mm (.041")	9.60	7.20	2,31	1,95	1,56	1,41
538-500797-2794	500797-2794	E	27	Gold	1.05mm (.041")	10.20	7.80	2,40	2,00	1,61	1,46
538-500797-3194	500797-3194	E	31	Gold	1.05mm (.041")	11.40	9.00	2,48	2,10	1,69	1,51
538-500797-3594	500797-3594	E	35	Gold	1.05mm (.041")	12.60	10.20	2,66	2,24	1,81	1,61
538-500797-4194	500797-4194	E	41	Gold	1.05mm (.041")	14.40	12.00	2,89	2,41	1,94	1,75

502250 and 501628 Series - 0.9mm Mated Height

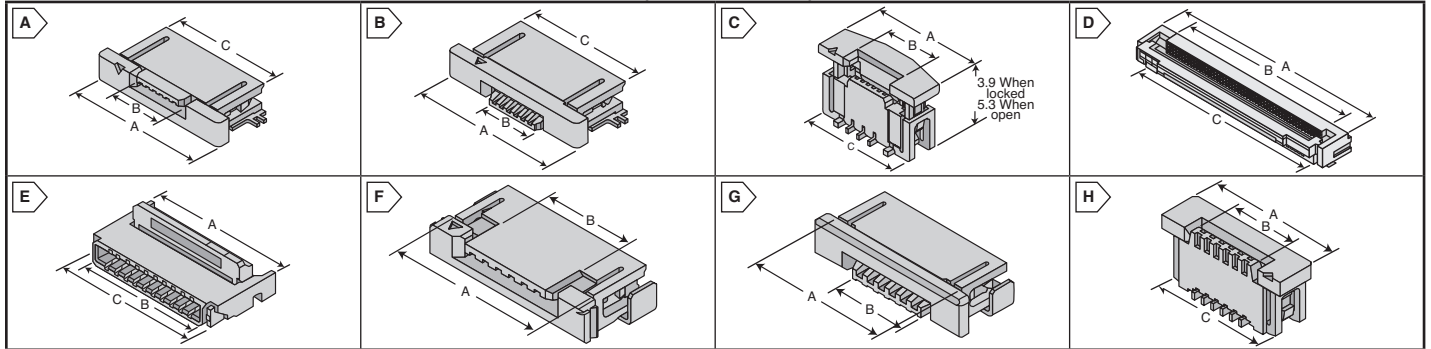
- Features and Specs:**
- Easy-On Actuator
 - Voltage Max: 50V
 - Current Max: 0.2A
 - Contacts: Copper alloy
 - Housing: Glass-filled LCP UL 94V-0
 - Actuator: 502250 Series: PPS UL 94V-0

For quantities greater than listed, call for quote.

Dual Contact - Back Flip Actuator											
MOUSER STOCK NO.	Molex Part No.	Fig.	No. of Circuits	Contact Plating	Mated Height	Dimensions: mm		Price Each			
						A	B	1	10	100	250
538-502250-2191	502250-2191	F	21	Gold	0.9mm (.035")	8.10	6.00	3,18	2,43	1,95	1,76
538-502250-3391	502250-3391	F	33	Gold	0.9mm (.035")	11.70	9.60	5,10	3,92	3,13	2,82
538-502250-3991	502250-3991	F	39	Gold	0.9mm (.035")	13.50	11.40	5,92	4,55	3,64	3,27
538-502250-4191	502250-4191	F	41	Gold	0.9mm (.035")	14.10	12.00	6,35	4,87	3,90	3,50
Bottom Contact - Narrow Width - Front Flip Actuator											
MOUSER STOCK NO.	Molex Part No.	Fig.	No. of Circuits	Contact Plating	Mated Height	Dimensions: mm		Price Each			
						A	B	1	10	100	250
538-501628-2791	501628-2791	G	27	Gold	0.9mm (.035")	10.20	7.80	4,06	3,55	2,99	2,71
538-501628-3391	501628-3391	G	33	Gold	0.9mm (.035")	12.00	9.60	5,43	4,17	3,33	2,99
538-501628-3591	501628-3591	G	35	Gold	0.9mm (.035")	12.60	10.20	4,78	4,19	3,54	3,18
538-501628-4591	501628-4591	G	45	Gold	0.9mm (.035")	15.60	13.20	6,00	5,24	4,43	3,99

MOLEX FFC/FPC Connectors

RoHS Compliant This product is RoHS compliant.



0.50MM (.020") PITCH FFC / FPC CONNECTORS

For 0.30mm (.012") thick FFC/FPC. Metal solder tabs provide PCB hold-down and strain relief for SMT tails. ZIF: Zero Insertion Force

Specifications:

- Voltage: 50V
- Current: 0.5A
- Housing: 4/6 Nylon, UL 94V-0
- Actuator: PPS, UL 94V-0
- Contact: Phosphor Bronze
- Contact Plating: Gold
- Operating Temperature: -20 to +85°C

Right Angle, SMT, ZIF - Top Contact Style For quantities greater than listed, call for quote.

MOUSER STOCK NO.	Molex Part No.	Fig.	No. of Circuits	Dimensions: in.			Price Each			
				A	B	C	1	10	100	250
538-52745-0697	52745-0697	A	6	.358	.144	.287	1.33	1.19	0.996	0.91
538-52745-0897	52745-0897	A	8	.398	.183	.327	1.02	0.892	0.797	0.718
538-52745-1097	52745-1097	A	10	.437	.222	.366	1.85	1.61	1.43	1.30
538-52745-1297	52745-1297	A	12	.476	.262	.406	1.49	1.31	1.15	1.04
538-52745-1497	52745-1497	A	14	.516	.301	.445	1.73	1.51	1.34	1.21
538-52745-1697	52745-1697	A	16	.555	.341	.484	1.88	1.65	1.46	1.32
538-52745-1897	52745-1897	A	18	.594	.380	.524	1.82	1.58	1.40	1.27
538-52745-2097	52745-2097	A	20	.634	.419	.563	2.28	1.99	1.77	1.58
538-52435-2271	52435-2271	A	22	.693	.459	.614	2.37	2.07	1.84	1.66
538-52435-2471	52435-2471	A	24	.732	.498	.654	2.89	2.53	2.25	2.02
538-52435-2871	52435-2871	A	28	.811	.577	.732	2.62	2.29	2.03	1.83
538-52435-3071	52435-3071	A	30	.850	.616	.772	3.27	2.85	2.54	2.28

Right Angle, SMT, ZIF - Bottom Contact Style

MOUSER STOCK NO.	Molex Part No.	Fig.	No. of Circuits	Dimensions: in.			Price Each			
				A	B	C	1	10	100	250
538-52746-0871	52746-0871	B	8	.398	.138	.327	1.64	1.42	1.27	1.14
538-52746-1071	52746-1071	B	10	.437	.177	.366	1.88	1.76	1.64	1.56
538-52746-1471	52746-1471	B	14	.516	.256	.445	1.73	1.51	1.35	1.21
538-52746-1671	52746-1671	B	16	.555	.295	.484	1.29	1.13	1.01	0.931
538-52746-2071	52746-2071	B	20	.634	.374	.563	3.79	3.31	2.94	2.64
538-52437-2271	52437-2271	B	22	.693	.413	.614	2.85	2.49	2.22	2.00
538-52437-2471	52437-2471	B	24	.732	.453	.653	3.65	3.19	2.83	2.56
538-52437-2871	52437-2871	B	28	.811	.531	.732	3.74	3.27	2.91	2.62
538-52437-3071	52437-3071	B	30	.850	.571	.772	4.94	4.17	3.83	3.65

Vertical, SMT, ZIF

MOUSER STOCK NO.	Molex Part No.	Fig.	No. of Circuits	Dimensions: in.			Price Each			
				A	B	C	1	10	100	250
538-52559-0853	52559-0853	C	8	.382	.138	.350	1.92	1.68	1.49	1.34
538-52559-1052	52559-1052	C	10	.421	.177	.390	1.85	1.61	1.43	1.30
538-52559-1853	52559-1853	C	18	.579	.335	.547	1.51	1.39	1.32	1.25
538-52559-2052	52559-2052	C	20	.618	.374	.587	3.57	3.13	2.77	2.49
538-52559-2452	52559-2452	C	24	.697	.453	.665	3.73	3.27	2.90	2.61
538-52559-2852	52559-2852	C	28	.776	.531	.744	3.60	3.16	2.80	2.51
538-52559-4052	52559-4052	C	40	1.012	.768	.980	6.11	5.35	4.75	4.28

0.50MM DOUBLE BOTTOM CONTACT FPC CONNECTORS

The double contact design provides wiping action from the first contact to remove any foreign substances that might cause signal intermittence. The result is improved signal integrity and superior contact reliability.

Specifications:

- ZIF Double Bottom Contact
- Easy-On actuator
- 2.50mm Height
- Contact Plating: Gold

MOUSER STOCK NO.	Molex Part No.	Fig.	No. of Circuits	Dimensions: in.			Price Each			
				A	B	C	1	10	100	250
538-502790-3091	502790-3091	D	30	19.7	14.5	18.1	2.59	2.27	2.01	1.82
538-502790-4091	502790-4091	D	40	24.7	19.5	23.1	2.83	2.48	2.21	1.99
538-502790-6491	502790-6491	D	64	36.7	31.5	35.1	3.94	3.46	3.08	2.77
538-502790-8091	502790-8091	D	80	44.7	39.5	43.1	4.95	4.33	3.85	3.46

LOW PROFILE FFC CONNECTORS

Specifications:

- Housing: LCP Liquid Crystal Polymer
- Pre-hold cable feature keeps FPC in place while actuator is being closed
- Mated Height: 1.20mm (.047")
- Sturdy actuator allows for easy cable insertion
- Mated Width: 3.40mm (.134")
- Metal solder tabs provide PCB hold-down and strain relief for SMT tails

Right Angle, SMT, ZIF - Top Contact Style For quantities greater than listed, call for quote.

MOUSER STOCK NO.	Molex Part No.	Fig.	No. of Circuits	Dimensions: in.			Price Each			
				A	B	C	1	10	100	250
538-54550-0694	54550-0694	A	6	.323	.098	.276	1.01	0.889	0.823	0.736
538-54550-0794	54550-0794	A	7	.343	.118	.295	1.39	1.17	1.03	0.94
538-54550-0894	54550-0894	A	8	.362	.138	.315	1.56	1.32	1.15	1.03
538-54550-1094	54550-1094	A	10	.402	.177	.354	1.97	1.73	1.38	1.24
538-54550-1294	54550-1294	A	12	.441	.217	.394	2.47	1.89	1.51	1.36
538-54550-1694	54550-1694	A	16	.520	.295	.472	2.69	2.27	1.87	1.69
538-54550-1894	54550-1894	A	18	.559	.335	.412	3.24	2.49	1.99	1.79
538-54550-2094	54550-2094	A	20	.598	.374	.551	2.84	2.40	2.11	1.93
538-54550-2494	54550-2494	A	24	.677	.453	.630	3.40	2.65	2.53	2.28

Right Angle, SMT, ZIF - Bottom Contact Style

MOUSER STOCK NO.	Molex Part No.	Fig.	No. of Circuits	Dimensions: in.			Price Each			
				A	B	C	1	10	100	250
538-54548-0570	54548-0570	B	5	.303	.079	.256	0.87	0.756	0.702	0.679
538-54548-0670	54548-0670	B	6	.323	.098	.276	1.50	1.05	0.953	0.855
538-54548-0970	54548-0970	B	9	.382	.157	.335	1.77	1.49	1.30	1.18
538-54548-1270	54548-1270	B	12	.441	.217	.394	2.31	1.93	1.54	1.38
538-54548-1470	54548-1470	B	14	.480	.256	.433	1.99	1.76	1.59	1.43
538-54548-1670	54548-1670	B	16	.520	.295	.472	2.81	2.31	1.87	1.69
538-54548-2070	54548-2070	B	20	.598	.374	.551	3.26	2.68	2.14	1.93
538-54548-2470	54548-2470	B	24	.677	.453	.630	3.83	2.79	2.12	1.96

0.5MM DUAL CONTACT, RIGHT ANGLE SMT, BACKFLIP™ ACTUATOR

Specifications:

- Current: 0.5A
- Voltage: 50V
- Contact Resistance: 100 milliohms max.
- Withstanding Voltage: 200V AC
- Insulation Resistance: 50 Megohms max.
- Durability: 10 cycles
- Temperature: -40 to +85°C

Features:

- Dual contact terminal design
- Low profile and short width
- BackFlip™ actuator design
- Optimal length actuator
- Nickel barrier plating
- Uses 0.30mm (.012") thick FPC

Dual Contact, Right Angle SMT

For quantities greater than listed, call for quote.

MOUSER STOCK NO.	Molex Part No.	Fig.	No. of Circuits	Dimensions: in.			Price Each			
				A	B	C	1	10	100	250
538-503480-0400	503480-0400	E	4	.146	.098	.51	0.55	0.511	0.476	0.433
538-503480-0600	503480-0600	E	6	.185	.138	.59	0.63	0.613	0.563	0.519
538-503480-0800	503480-0800	E	8	.224	.177	.64	0.69	0.644	0.596	0.552
538-503480-1000	503480-1000	E	10	.264	.217	.79	0.85	0.818	0.747	0.693
538-503480-1200	503480-1200	E	12	.303	.256	.89	0.96	0.92	0.844	0.78
538-503480-1600	503480-1600	E	16	.382	.335	1.11	1.20	1.13	1.04	0.964
538-503480-2000	503480-2000	E	20	.461	.413	1.38	1.49	1.41	1.30	1.20

1.00MM (.039") PITCH FFC/FPC CONNECTORS

For 0.30mm thick FFC/FPC. Metal solder tabs provide PCB hold-down and strain relief for SMT tails. ZIF: Zero Insertion Force.

Right Angle, SMT, ZIF - Top Contact Style

Specifications:

- Voltage: 125V
- Current: 1.0A
- Dielectric Withstanding Voltage: 500V AC/1 min.
- Housing: 4/6 Nylon, UL 94V-0
- Actuator: PPS, UL 94V-0
- Contact: Phosphor Bronze
- Plating: Tin
- Solder Tabs: Copper Alloy, Tin plating
- Operating Temperature: -20 to +85°C

For quantities greater than listed, call for quote.

MOUSER STOCK NO.	Molex Part No.	Fig.	No. of Circuits	Dimensions: in.			Price Each			
				A	B	C	1	10	100	250
538-52207-0885	52207-0885	F	8	.562	.275	-	0.76	0.73	0.694	0.659
538-52207-1085	52207-1085	F	10	.641	.354	-	1.92	1.57	1.37	1.28
538-52207-1285	52207-1285	F	12	.720	.433	-	1.66	1.57	1.50	1.42
538-52207-1485	52207-1485	F	14	.799	.511	-	2.62	2.05	1.87	1.72
538-52207-1885	52207-1885	F	18	.956	.669	-	2.22	1.90	1.54	1.41
538-52207-2085	52207-2085	F	20	1.035	.748	-	2.86	2.60	2.31	2.16

Right Angle, SMT, ZIF - Bottom Contact Style

Specifications:

- Voltage: 50V
- Current: 0.5A
- Dielectric Withstanding Voltage: 500V AC/1 min.
- Housing: 4/6 Nylon, UL 94V-0
- Actuator: PPS, UL 94V-0
- Contact: Phosphor Bronze
- Plating: Tin
- Solder Tabs: Copper Alloy, Tin plating
- Operating Temperature: -20 to +85°C

For quantities greater than listed, call for quote.

MOUSER STOCK NO.	Molex Part No.	Fig.	No. of Circuits	Dimensions: in.			Price Each			
				A	B	C	1	10	100	250
538-52271-0679	52271-0679	G	6	.433	.197	-	0.92	0.797	0.736	0.693
538-52271-0879	52271-0879	G	8	.511	.275	-	0.99	0.92	0.867	0.812
538-52271-1079	52271-1079	G	10	.590	.354	-	1.10	0.92	0.801	0.78
538-52271-1479	52271-1479	G	14	.748	.511	-	1.75	1.52	1.32	1.25
538-52271-1879	52271-1879	G	18	.905	.669	-	1.55	1.36	1.20	1.08
538-52271-2079	52271-2079	G	20	.984	.748	-	1.99	1.66	1.49	1.37
538-52271-2279	52271-2279	G	22	1.062	.827	-	1.58	1.33	1.14	1.09
538-52271-2479	52271-2479	G	24	1.141	.906	-	2.19	1.82	1.59	1.51
538-52271-2879	52271-2879	G	28	1.299	1.060	-	3.12	2.63	2.30	2.23
538-52271-3079	52271-3079	G	30	1.377	1.140	-	2.25	1.88	1.62	1.57

Vertical, SMT, ZIF

MOLEX Flat Flex Jumpers

PREMO-FLEX™ FLAT FLEX CABLE JUMPERS FOR 0.50MM (.020") CONNECTORS

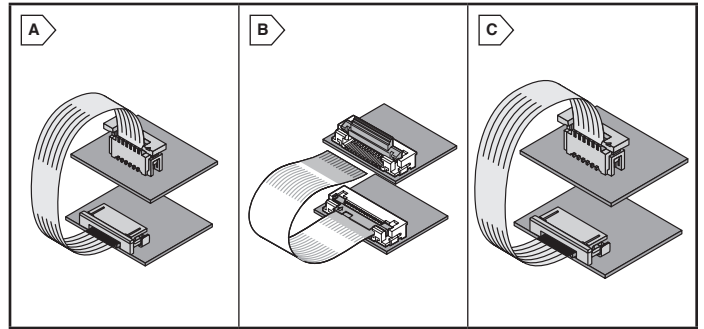
These jumpers are used to connect 2 PC boards and terminate to either ZIF or Non-ZIF FFC Connectors. Mates with any 0.50mm (.020") Pitch FFC/FPC Connector. They are available with the contacting area on the same side (Type A) or the opposite side (Type D) to mirror signal layout between PC Boards.

Specifications:

- Voltage: 30V
- Current: 0.5A
- Cable Width: (No. of circuits + 1) x 0.50mm
- Exposed conductor length: 4mm with 8mm reinforcement
- Conductor width: 0.30mm (.012")
- Conductor thickness: 0.10mm (.004")
- Contacts on the same side
- Type "A": contact area same side
- Type "D": contact area opposite side

Applications:

- Computer Peripherals:
 - Notebook PCs
 - Keyboards
 - Printers
 - LCD Flat Panel
 - Scanners
- Entertainment/Consumer:
 - Set Top Box
 - Camcorders
 - CD Players
 - Video Games
 - Plasma Displays
- Other Industries:
 - Automotive
 - Military
 - Medical
 - Industrial



Standard: -40° to +80°C

For quantities greater than listed, call for quote.

MOUSER STOCK NO.	Molex Part No.	Fig.	No. of Circuits	Type	Length in. (mm)	Price Each			
						1	10	100	250
538-21020-0055	21020-0055	A	6	A	3 (76.2)	3,31	3,08	2,50	2,29
538-21020-0061	21020-0061	A	6	A	6 (152.4)	4,29	3,80	3,12	2,83
538-21020-0077	21020-0077	A	8	A	3 (76.2)	4,35	4,00	3,08	2,61
538-21020-0083	21020-0083	A	8	A	6 (152.4)	3,85	3,20	2,82	2,57
538-21020-0097	21020-0097	A	10	A	2 (50.8)	3,24	3,06	2,66	2,31
538-21020-0099	21020-0099	A	10	A	3 (76.2)	2,75	2,43	1,99	1,82
538-21020-0101	21020-0101	A	10	A	4 (101.6)	3,03	2,68	2,21	1,93
538-21020-0105	21020-0105	A	10	A	6 (152.4)	2,30	2,19	2,08	1,97
538-21020-0109	21020-0109	A	10	A	8 (203.2)	3,00	2,66	2,18	1,97
538-21020-0119	21020-0119	A	12	A	2 (50.8)	3,35	2,92	2,64	2,39
538-21020-0121	21020-0121	A	12	A	3 (76.2)	3,70	3,47	3,08	2,80
538-21020-0127	21020-0127	A	12	A	6 (152.4)	3,11	2,80	2,63	2,56
538-21020-0143	21020-0143	A	14	A	3 (76.2)	3,81	3,51	3,00	2,61
538-21020-0149	21020-0149	A	14	A	6 (152.4)	3,10	2,68	2,57	2,44
538-21020-0165	21020-0165	A	16	A	3 (76.2)	4,94	4,20	3,09	2,61
538-21020-0171	21020-0171	A	16	A	6 (152.4)	3,27	2,73	2,39	2,19
538-21020-0187	21020-0187	A	18	A	3 (76.2)	2,93	2,73	2,64	2,48
538-21020-0193	21020-0193	A	18	A	6 (152.4)	3,82	3,67	3,42	3,09
538-21020-0209	21020-0209	A	20	A	3 (76.2)	4,68	4,19	3,08	2,60
538-21020-0211	21020-0211	A	20	A	4 (101.6)	5,01	4,43	3,23	2,76
538-21020-0212	21020-0212	A	20	D	4 (101.6)	2,98	2,48	1,99	1,93
538-21020-0215	21020-0215	A	20	A	6 (152.4)	5,32	4,78	3,76	3,18
538-21020-0217	21020-0217	A	20	A	7 (177.8)	4,78	3,53	3,11	2,95
538-21020-0219	21020-0219	A	20	A	8 (203.2)	6,17	5,13	3,76	3,19
538-21020-0220	21020-0220	A	20	D	8 (203.2)	4,35	3,21	2,82	2,69
538-21020-0231	21020-0231	A	22	A	3 (76.2)	4,76	4,28	3,86	3,46
538-21020-0237	21020-0237	A	22	A	6 (152.4)	3,88	3,23	3,03	2,69
538-21020-0253	21020-0253	A	24	A	3 (76.2)	3,96	3,51	2,86	2,60
538-21020-0255	21020-0255	A	24	A	4 (101.6)	5,44	4,53	3,32	2,80
538-21020-0259	21020-0259	A	24	A	6 (152.4)	5,75	5,17	3,93	3,33
538-21020-0297	21020-0297	A	28	A	3 (76.2)	3,62	3,24	2,85	2,60
538-21020-0303	21020-0303	A	28	A	6 (152.4)	4,46	4,30	4,01	3,76
538-21020-0317	21020-0317	A	30	A	2 (50.8)	4,63	3,96	2,90	2,45
538-21020-0319	21020-0319	A	30	A	3 (76.2)	4,63	3,80	3,08	2,61
538-21020-0321	21020-0321	A	30	A	4 (101.6)	4,97	4,40	3,41	2,89
538-21020-0322	21020-0322	A	30	D	4 (101.6)	4,50	3,38	4,31	4,26
538-21020-0325	21020-0325	A	30	A	6 (152.4)	5,61	5,33	5,06	4,81
538-21020-0329	21020-0329	A	30	A	8 (203.2)	6,71	5,61	4,10	3,46
538-21020-0429	21020-0429	A	40	A	3 (76.2)	4,87	4,19	3,06	2,60
538-21020-0432	21020-0432	A	40	D	4 (101.6)	4,61	4,46	4,09	3,87
538-21020-0435	21020-0435	A	40	A	6 (152.4)	7,56	6,31	5,02	4,25
538-21020-0438	21020-0438	A	40	D	7 (177.8)	7,36	5,54	5,88	5,29
538-21020-0439	21020-0439	A	40	A	8 (203.2)	7,01	5,83	4,28	3,63
538-21020-0215	21020-0215	A	20	A	6 (152.4)	5,32	4,78	3,76	3,18

High Temperature: -40° to +105°C

For quantities greater than listed, call for quote.

MOUSER STOCK NO.	Molex Part No.	Fig.	No. of Circuits	Type	Length in. (mm)	Price Each			
						1	10	100	250
538-98266-0061	98266-0061	B	6	A	6 (152.4)	1,69	1,63	1,59	1,55
538-98266-0062	98266-0062	B	6	D	6 (152.4)	1,69	1,63	1,59	1,55
538-98266-0083	98266-0083	B	8	A	6 (152.4)	1,86	1,81	1,75	1,71
538-98266-0084	98266-0084	B	8	D	6 (152.4)	1,86	1,81	1,75	1,71
538-98266-0105	98266-0105	B	10	A	6 (152.4)	1,35	1,33	1,31	1,29
538-98266-0106	98266-0106	B	10	D	6 (152.4)	1,25	1,23	1,21	1,19
538-98266-0119	98266-0119	B	12	A	2 (50.8)	3,06	2,62	2,19	1,94
538-98266-0127	98266-0127	B	12	A	6 (152.4)	1,39	1,34	1,29	1,25
538-98266-0128	98266-0128	B	12	D	6 (152.4)	1,39	1,34	1,29	1,25
538-98266-0149	98266-0149	B	14	A	6 (152.4)	1,44	1,39	1,35	1,32
538-98266-0150	98266-0150	B	14	D	6 (152.4)	1,44	1,39	1,35	1,32
538-98266-0172	98266-0172	B	16	D	6 (152.4)	1,54	1,50	1,45	1,41
538-98266-0193	98266-0193	B	18	A	6 (152.4)	1,73	1,64	1,57	1,54
538-98266-0194	98266-0194	B	18	D	6 (152.4)	1,73	1,64	1,57	1,54
538-98266-0207	98266-0207	B	20	A	2 (50.8)	3,41	2,92	2,44	2,18
538-98266-0215	98266-0215	B	20	A	6 (152.4)	1,71	1,65	1,59	1,55
538-98266-0216	98266-0216	B	20	D	6 (152.4)	1,73	1,64	1,57	1,55
538-98266-0259	98266-0259	B	24	A	6 (152.4)	1,94	1,89	1,84	1,77
538-98266-0260	98266-0260	B	24	D	6 (152.4)	1,87	1,85	1,81	1,76
538-98266-0281	98266-0281	B	26	A	6 (152.4)	1,94	1,89	1,81	1,77
538-98266-0282	98266-0282	B	26	D	6 (152.4)	1,94	1,89	1,81	1,77
538-98266-0317	98266-0317	B	30	A	2 (50.8)	4,20	3,58	2,99	2,67
538-98266-0319	98266-0319	B	30	A	3 (76.2)	4,21	3,59	3,00	2,68
538-98266-0322	98266-0322	B	30	D	4 (101.6)	4,53	3,86	3,22	2,87
538-98266-0325	98266-0325	B	30	A	6 (152.4)	2,35	2,29	2,24	2,18
538-98266-0326	98266-0326	B	30	D	6 (152.4)	2,35	2,29	2,24	2,18
538-98266-0347	98266-0347	B	32	A	6 (152.4)	2,41	2,35	2,29	2,20
538-98266-0346	98266-0346	B	32	D	6 (152.4)	2,21	2,15	2,11	2,06
538-98266-0429	98266-0429	B	40	A	3 (76.2)	4,29	3,67	3,08	2,74
538-98266-0427	98266-0427	B	40	A	2 (50.8)	4,26	3,64	3,04	2,72
538-98266-0431	98266-0431	B	40	A	4 (101.6)	4,63	3,94	3,30	2,94
538-98266-0432	98266-0432	B	40	D	4 (101.6)	4,63	3,94	3,30	2,94
538-98266-0435	98266-0435	B	40	A	6 (152.4)	3,64	3,47	3,10	2,99
538-98266-0436	98266-0436	B	40	D	6 (152.4)	3,64	3,47	3,10	2,99

PREMO-FLEX™ FLAT FLEX CABLE JUMPERS FOR 1.00MM (.039") CONNECTORS

These jumpers are used to connect 2 PC boards and terminate to either ZIF or Non-ZIF FFC Connectors. Mates with any 1.00mm (.039") Pitch FFC/FPC Connector. They are available with the contacting area on the same side (Type A) or the opposite side (Type D) to mirror signal layout between PC boards.

Specifications:

- Voltage: 30V
- Current: 1.2A
- Cable width: (No. of circuits + 1) x 1.00mm
- Exposed conductor length: 4mm with 8mm reinforcement
- Temperature: -40 to +80°C
- Conductor width: 0.70mm (.028")
- Conductor thickness: 0.10mm (.004")
- Type "A": contact area same side
- Type "D": contact area opposite side

For quantities greater than listed, call for quote.

MOUSER STOCK NO.	Molex Part No.	Fig.	No. of Circuits	Type	Length in. (mm)	Price Each			
						1	10	100	250
538-21039-0732	21039-0732	C	5	D	6 (152.4)	1,47	1,37	1,23	1,09
538-21039-0205	21039-0205	C	6	A	3 (76.2)	3,14	2,64	1,93	1,64
538-21039-0211	21039-0211	C	6	A	6 (152.4)	3,12	2,59	1,89	1,59
538-21039-0215	21039-0215	C	6	A	8 (203.2)	1,45	1,38	1,31	1,24
538-21039-0221	21039-0221	C	6	A	12 (304.8)	2,76	2,66	2,27	1,97
538-21039-0227	21039-0227	C	8	A	3 (76.2)	2,08	1,85	1,45	1,37
538-21039-0230	21039-0230	C	8	D	4 (101.6)	1,82	1,64	1,40	1,28
538-21039-0233	21039-0233	C	8	A	6 (152.4)	3,31	2,76	2,02	1,71
538-21039-0238	21039-0238	C	8	D	8 (203.2)	2,22	1,93	1,71	1,57
538-21039-0243	21039-0243	C	8	A	12 (304.8)	3,64	3,32	2,47	2,10
538-21039-0247	21039-0247	C	10	A	2 (50.8)	2,18	1,92	1,57	1,43
538-21039-0249	21039-0249	C	10	A	3 (76.2)	2,15	1,90	1,55	1,40
538-21039-0252	21039-0252	C	10	D	4 (101.6)	1,76	1,56	1,28	1,15
538-21039-0255	21039-0255	C	10	A	6 (152.4)	3,32	2,83	2,13	1,81
538-21039-0257	21039-0257	C	10	A	7 (177.8)	1,94	1,69	1,49	1,38
538-21039-0263	21039-0263	C	10	A	10 (254)	3,64	3,18	2,49	2,12
538-21039-0265	21039-0265	C	10	A	12 (304.8)	2,76	2,44	1,99	1,82
538-21039-0271	21039-0271	C	12	A	3 (76.2)	1,58	1,50	1,43	1,36
538-21039-0277	21039-0277	C	12	A	6 (152.4)	3,06	2,62	2,28	1,92
538-21039-0287	21039-0287	C	12	A	12 (304.8)	4,06	3,41	2,95	2,49
538-21039-0293	21039-0293	C	14	A	3 (76.2)	2,33	2,05	1,69	1,52
538-21039-0294	21039-0294	C	14	D	3 (76.2)	1,64			

3M™ PLCC and DIP Sockets



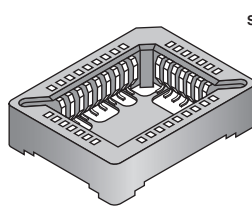
DIMENSIONS: in.

RoHS Compliant This product is RoHS compliant.

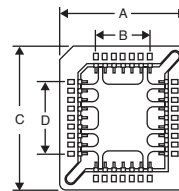
8400 SERIES PLCC SOCKETS

Specifications:

- High temperature insulator compatible with IR reflow and wave soldering
- Compatible with automated loading equipment
- Open top design allows unrestricted air flow
- Molded slots for ease of device extraction
- Insulation Material: Glass filled Polyphenylene Sulfide (PPS)
- Flammability: UL 94V-0
- Contact Resistance: 15Ω
- Insulation Resistance: 103MQ minimum
- Capacitance: 1 pF
- Temperature Rating: -40°C to +105°C
- RoHS Compliant per 3M documentation



Surface Mount



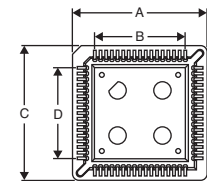
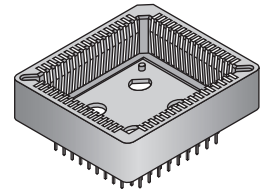
Low Profile, 4-Row, Surface Mount

RoHS Compliant

For quantities greater than listed, call for quote.

MOUSER STOCK NO.	3M Part No.	No. of Contacts	Dimensions: in.				Location Posts	Price Each			
			A	B	C	D		1	25	50	100
517-8420-21A1-RK-TP	8420-21A1-RK-TP	20	0.617	0.200	0.617	0.200	Yes	0,53	0,487	0,454	0,437
517-8420-21B1-RK-TP	8420-21B1-RK-TP	20	1.617	0.200	0.617	0.200	No	0,55	0,502	0,468	0,451
517-8428-21A1-RK-TP	8428-21A1-RK-TP	28	0.716	0.300	0.716	0.300	Yes	0,56	0,519	0,484	0,459
517-8428-21B1-RK-TP	8428-21B1-RK-TP	28	1.716	0.300	0.716	0.300	No	0,56	0,519	0,484	0,459
517-8432-21A1-RK-TP	8432-21A1-RK-TP	32	0.716	0.300	0.818	0.400	Yes	0,61	0,568	0,535	0,50
517-8432-21B1-RK-TP	8432-21B1-RK-TP	32	1.716	0.300	0.818	0.400	No	0,61	0,568	0,535	0,50
517-8444-21A1-RK-TP	8444-21A1-RK-TP	44	0.917	0.500	0.917	0.500	Yes	0,75	0,691	0,648	0,622
517-8444-21B1-RK-TP	8444-21B1-RK-TP	44	1.917	0.500	0.917	0.500	No	0,75	0,691	0,648	0,622
517-8452-21A1-RK-TP	8452-21A1-RK-TP	52	1.018	0.600	1.018	0.600	Yes	0,77	0,726	0,677	0,644
517-8452-21B1-RK-TP	8452-21B1-RK-TP	52	2.018	0.600	1.018	0.600	No	0,80	0,757	0,705	0,671
517-8468-21A1-RK-TP	8468-21A1-RK-TP	68	1.219	0.801	1.219	0.801	Yes	0,99	0,916	0,858	0,82
517-8468-21B1-RK-TP	8468-21B1-RK-TP	68	2.219	0.801	1.219	0.801	No	0,99	0,908	0,858	0,82
517-8484-21A1-RK-TP	8484-21A1-RK-TP	84	1.418	1.001	1.418	1.001	Yes	1,07	0,982	0,932	0,883
517-8484-21B1-RK-TP	8484-21B1-RK-TP	84	2.418	1.001	1.418	1.001	No	1,07	0,982	0,932	0,883

Thru-Hole



4-Row, Thru-Hole

For quantities greater than listed, call for quote.

MOUSER STOCK NO.	3M Part No.	No. of Contacts	Dimensions: in.				Location Posts	Price Each			
			A	B	C	D		1	25	50	100
517-8420-11B1-RK-TP	8420-11B1-RK-TP	20	0.611	0.200	0.611	0.200	No	0,53	0,486	0,46	0,435
517-8428-11B1-RK-TP	8428-11B1-RK-TP	28	0.711	0.300	0.711	0.300	No	0,59	0,552	0,517	0,493
517-8432-11B1-RK-TP	8432-11B1-RK-TP	32	0.711	0.300	0.812	0.400	No	0,63	0,585	0,542	0,514
517-8444-11B1-RK-TP	8444-11B1-RK-TP	44	0.926	0.500	0.926	0.500	No	0,77	0,708	0,664	0,629
517-8452-11B1-RK-TP	8452-11B1-RK-TP	52	1.020	0.600	1.020	0.600	No	0,83	0,774	0,722	0,688
517-8468-11B1-RK-TP	8468-11B1-RK-TP	68	1.223	0.801	1.223	0.801	No	1,03	0,866	0,80	0,776
517-8484-11B1-RK-TP	8484-11B1-RK-TP	84	1.420	1.001	1.420	1.001	No	1,20	1,08	1,06	0,99

4800 SERIES DIP SOCKETS - STAMPED AND FORMED, DUAL-WIPE

Specifications:

- Dual leaf, high compression contact provides reliable termination
- Contact Material: Phosphor Bronze
- Side and end stackable
- Insulation Material: Polyester Glass Filled
- Flammability: UL94V-0
- Color: Black
- RoHS Compliant per 3M documentation
- Insertion Force: 340 grams max. per contact
- Withdrawal Force: 80 grams min. per contact
- 3000 & 6000 versions have an Auto Insert Straight Lead
- 3004 & 6004 versions have a Self Locking Barb
- Acceptable Pin Sizes: Diameter-.010" - .011" (0.25mm - 0.27mm), Length-.100" - .130" (2.54mm - 3.30mm)
- Board mating height: .174 in.
- Mounting Information: Hole Diameter-.035" - .043" (0.90mm - 1.10mm), Current Rating: 1 A
- Insulation Resistance: 5,000MΩ min. at 500VDC
- Withstanding Voltage: 100VAC for 1 minute
- Temperature Rating: -25°C to +85°C



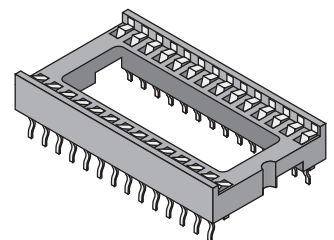
RoHS Compliant

Body Style "A"

For quantities greater than listed, call for quote.

MOUSER STOCK NO.	3M Part No.	No. of Contacts	Dimensions: in.				Tail	Price Each			
			Row Spacing	Length	Width	Pin Dia.		1	25	50	100
517-4808-3000-CP	4808-3000-CP	8	0.300	0.395	0.400	0.020	Straight	0,15	0,14	0,132	0,121
517-4808-3004-CP	4808-3004-CP	8	0.300	0.395	0.400	0.020	Kinked	0,11	0,091	0,083	0,074
517-4814-3000-CP	4814-3000-CP	14	0.300	0.695	0.400	0.020	Straight	0,11	0,091	0,083	0,074
517-4814-3004-CP	4814-3004-CP	14	0.300	0.695	0.400	0.020	Kinked	0,11	0,091	0,083	0,074
517-4816-3000-CP	4816-3000-CP	16	0.300	0.795	0.400	0.020	Straight	0,11	0,091	0,083	0,074
517-4816-3004-CP	4816-3004-CP	16	0.300	0.795	0.400	0.020	Kinked	0,17	0,159	0,15	0,143
517-4818-3000-CP	4818-3000-CP	18	0.300	0.895	0.400	0.020	Straight	0,17	0,157	0,149	0,14
517-4818-3004-CP	4818-3004-CP	18	0.300	0.895	0.400	0.020	Kinked	0,16	0,132	0,124	0,116
517-4820-3000-CP	4820-3000-CP	20	0.300	0.995	0.400	0.020	Straight	0,16	0,116	0,111	0,107
517-4820-3004-CP	4820-3004-CP	20	0.300	0.995	0.400	0.020	Kinked	0,16	0,132	0,124	0,116
517-4824-3000-CP	4824-3000-CP	24	0.300	1.195	0.400	0.020	Straight	0,16	0,132	0,124	0,116
517-4824-3004-CP	4824-3004-CP	24	0.300	1.195	0.400	0.020	Kinked	0,19	0,157	0,149	0,14

Body Style "A"

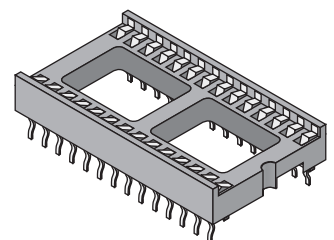


Body Style "B"

For quantities greater than listed, call for quote.

MOUSER STOCK NO.	3M Part No.	No. of Contacts	Dimensions: in.				Tail	Price Each			
			Row Spacing	Length	Width	Pin Dia.		1	25	50	100
517-4824-6000-CP	4824-6000-CP	24	0.600	1.195	0.700	0.020	Straight	0,16	0,132	0,124	0,116
517-4824-6004-CP	4824-6004-CP	24	0.600	1.195	0.700	0.020	Kinked	0,19	0,157	0,149	0,14
517-4828-6000-CP	4828-6000-CP	28	0.600	1.395	0.700	0.020	Straight	0,16	0,132	0,124	0,116
517-4828-6004-CP	4828-6004-CP	28	0.600	1.395	0.700	0.020	Kinked	0,26	0,248	0,239	0,223
517-4832-6000-CP	4832-6000-CP	32	0.600	1.595	0.700	0.020	Straight	0,19	0,157	0,149	0,14
517-4832-6004-CP	4832-6004-CP	32	0.600	1.595	0.700	0.020	Kinked	0,26	0,215	0,198	0,19
517-4840-6000-CP	4840-6000-CP	40	0.600	1.995	0.700	0.020	Straight	0,26	0,215	0,198	0,19
517-4840-6004-CP	4840-6004-CP	40	0.600	1.995	0.700	0.020	Kinked	0,33	0,272	0,256	0,248
517-4842-6000-CP	4842-6000-CP	42	0.600	2.101	0.700	0.020	Straight	0,33	0,322	0,305	0,281
517-4842-6004-CP	4842-6004-CP	42	0.600	2.101	0.700	0.020	Kinked	0,38	0,363	0,347	0,322
517-4848-6004-CP	4848-6004-CP	48	0.600	2.395	0.700	0.020	Kinked	0,38	0,322	0,289	0,281

Body Style "B"



ARIES Sockets, Adapters and Jumpers

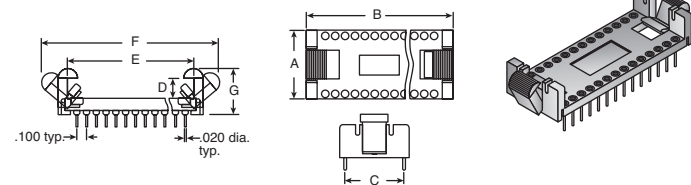


LOCK/EJECT DIP SOCKETS

EJECT-A-DIP® is a rugged, solderable socket with a unique ejector/latch for fast in-field board maintenance. It locks in the connector or device, making it ideal for high vibration environments. When used as an ejector, it removes DIP packages without pin damage.

Specifications:

- Pin body plating: tin glass-filled polyester (PBT)
- Contact current rating: 3A
- Body: UL 94V-0
- Contact plating: 10µ" gold



For quantities greater than listed, call for quote.

MOUSER STOCK NO.	Aries Part No.	# of Pins	Dimensions (in.)							Price Each		
			A	B	C	D	E	F	G	1	10	25
535-14-C280-10	14-C280-10	14	.40	.95	.30	.280	.77	1.30	.54	3.14	2.51	2.19
535-16-C280-10	16-C280-10	16	.40	1.05	.30	.280	.83	1.54	.54	3.38	2.71	2.19
535-28-C182-10	28-C182-10	28	.70	1.69	.60	.182	1.47	2.00	.46	3.57	2.65	2.48
535-32-C182-10	32-C182-10	32	.70	1.89	.60	.182	1.69	2.20	.46	4.10	3.04	2.86
535-40-C182-10	40-C182-10	40	.70	2.29	.60	.182	2.07	2.60	.46	5.60	5.51	5.47

OPEN FRAME MACHINE PIN COLLET SOCKETS

Specifications:

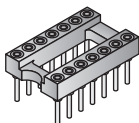
- Body: blue UL 94V-0 glass-filled polyester thermoplastic (PBT)
- Pin body: 200µ" tin over 100µ" nickel plated brass
- Contacts: 10µ" gold over 50µ" nickel plated beryllium copper

Features:

- Open frame allows for more efficient utilization of board space and better cooling
- Compatible with automatic insertion equipment

For quantities greater than listed, call for quote.

MOUSER STOCK NO.	Aries Part No.	# of Pins	Pin Centers	Price Each		
				1	25	100
535-08-3518-10	08-3518-10	8	.300	0.69	0.536	0.388
535-14-3518-10	14-3518-10	14	.300	0.99	0.916	0.512
535-16-3518-10	16-3518-10	16	.300	1.13	1.04	0.586
535-18-3518-10	18-3518-10	18	.300	1.39	1.29	0.726
535-20-3518-10	20-3518-10	20	.300	1.26	1.16	0.652
535-24-3518-10	24-3518-10	24	.300	1.58	1.46	0.825
535-24-6518-10	24-6518-10	24	.600	1.56	1.40	0.85
535-28-3518-10	28-3518-10	28	.300	2.12	1.91	1.16
535-28-6518-10	28-6518-10	28	.600	1.86	1.68	1.02
535-32-6518-10	32-6518-10	32	.600	2.12	1.91	1.16
535-40-6518-10	40-6518-10	40	.600	2.48	2.24	1.35
535-48-6518-10	48-6518-10	48	.600	3.20	2.89	1.75

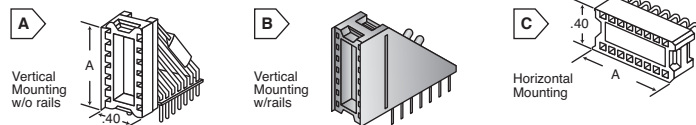


DISPLAY SOCKETS

Specifications:

- Body: red UL 94-HB glass-filled nylon
- Contacts: either 10µ" gold or 100µ" tin over 50µ" nickel plated phosphor bronze

DIMENSIONS: (in.)



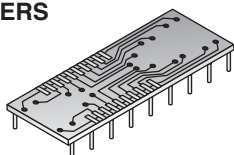
For quantities greater than listed, call for quote.

MOUSER STOCK NO.	Aries Part No.	Fig.	A Dim. (in.)	# of Pins	Plating	Row to Row Sp.		Price Each		
						Socket	Pin	1	10	25
535-14-810-90T	14-810-90T	A	.75	14	Tin	.300	.100	6.94	6.09	5.49
535-10-2810-90	10-2810-90	A	.55	10	Gold	.200	.100	5.94	4.98	4.38
535-14-810-90R	14-810-90R	B	.75	14	Tin	.300	.100	5.82	5.12	4.67
535-14-820-90T	14-820-90T	C	.75	14	Tin	.300	.100	5.54	4.32	3.76
535-14-823-90	14-823-90	C	.75	14	Gold	.300	.300	7.22	5.77	5.49
535-16-820-90T	16-820-90T	C	.85	16	Tin	.300	.100	4.62	3.92	3.69
535-40-6823-90	40-6823-90	C	2.05	40	Gold	.600	.300	16.52	14.53	13.11

SSOP IC TO DIP ADAPTERS

Specifications:

- Tin plated
- Solder tail pin
- Current rating: 1A
- Operating temperature: 105°C



For quantities greater than listed, call for quote.

MOUSER STOCK NO.	Aries Part No.	No. of Contacts	Price Each		
			1	10	25
535-14-351000-10	14-351000-10	14	22.13	20.18	18.59
535-16-351000-10	16-351000-10	16	22.13	20.18	18.59
535-18-351000-10	18-351000-10	18	19.68	17.99	16.52
535-20-351000-10	20-351000-10	20	22.13	20.18	18.59
535-24-351000-10	24-351000-10	24	22.13	20.18	18.59
535-28-351000-10	28-351000-10	28	22.13	20.18	18.59

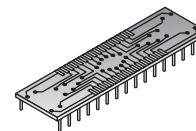
SOIC AND SOJ TO DIP ADAPTERS

Specifications:

- Board material: .062" FR-4
- Pins: brass alloy with tin over nickel plating

Features:

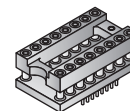
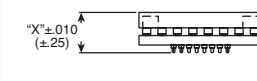
- Cost effective, permits upgrading to SOJ or SOIC--without changing PCB layout
- Available on .300", .400", and .600" centers



For quantities greater than listed, call for quote.

MOUSER STOCK NO.	Aries Part No.	No. of Pins	Pin Centers	Price Each		
				1	10	25
.300" Centers						
535-08-350000-10	08-350000-10	8	SOIC	4.92	4.54	4.13
535-14-350000-10	14-350000-10	14	SOIC	4.92	4.54	4.13
535-16-350000-10	16-350000-10	16	SOIC	4.92	4.54	4.13
535-18-350000-10	18-350000-10	18	SOIC	4.84	4.46	4.15
535-20-350000-10	20-350000-10	20	SOIC	4.92	4.54	4.13
535-20-350001-10	20-350001-10	20	SOJ	5.17	4.98	4.79
535-24-350000-10	24-350000-10	24	SOIC	4.75	4.46	4.04
535-28-350002-10	28-350002-10	28	SOIC	11.25	10.07	9.26
.400" Centers						
535-32-450001-10	32-450001-10	32	SOJ	9.69	8.84	8.32
.600" Centers						
535-24-650000-10	24-650000-10	24	SOIC	9.83	9.16	8.24
535-28-650000-10	28-650000-10	28	SOIC	10.11	9.33	8.93
535-32-650000-10	32-650000-10	32	SOJ	11.21	10.50	10.30

DIP TO SOIC ADAPTERS



Specifications:

- Socket body: Black, UL94V-0 Glass-filled 4/6 Nylon
- PCB: FR-4, .062" thick
- Contact current rating: 3A
- Operating temperature: 105°C

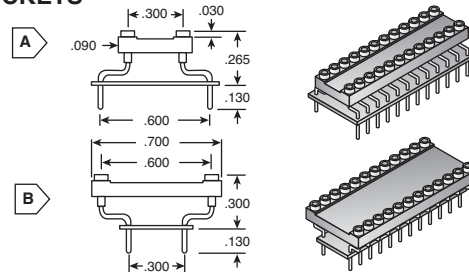
Part No. Suffix	Dim. "X"	Dim. "Y"
-10	.265 (6.73)	.050 (1.27)
-20	.325 (8.26)	.110 (2.79)

For quantities greater than listed, call for quote.

MOUSER STOCK NO.	Aries Part No.	No. of Contacts	Price Each		
			1	10	25
Short Adapter Pin					
535-08-354000-10	08-354000-10	8	19.78	16.27	14.64
535-14-3540-10	14-354000-10	14	20.20	16.02	15.18
535-16-354000-10	16-354000-10	16	21.19	18.25	16.93
535-20-354-000-10	20-354000-10	20	22.19	19.38	17.19
535-24-354000-10	24-354000-10	24	22.36	21.06	19.23
535-28-354000-10	28-354000-10	28	22.49	21.14	20.24
Long Adapter Pin					
535-08-354000-20	08-354000-20	8	19.78	16.27	14.64
535-14-354000-20	14-354000-20	14	20.20	16.02	15.18
535-16-354000-20	16-354000-20	16	21.19	18.25	16.93
535-20-354000-20	20-354000-20	20	22.19	19.38	17.19
535-24-354000-20	24-354000-20	24	22.36	21.06	19.23
535-28-354000-20	28-354000-20	28	22.49	21.14	20.24

DIP ADAPTER SOCKETS

These adapter sockets allow the use of .300" center devices when the PCB is drilled on .600" centers and vice-versa, giving the flexibility of using .600" or .300" center devices in the same application.



Specifications:

- Pin body plating: tin
- 4-fingered collet contact: beryllium copper
- Contact plating: 30µ" gold
- Contact current rating: 3A
- Socket body: black UL 94-HB glass-filled nylon

For quantities greater than listed, call for quote.

MOUSER STOCK NO.	Aries Part No.	Fig.	No. of Pins	Description	Price Each		
					1	10	25
535-1106396-24	1106396-24	A	24	.300" DIP to .600" PCB adapters	7.60	7.38	7.04
535-1106396-28	1106396-28	A	28	.300" DIP to .600" PCB adapters	8.48	8.24	7.78
535-1107254-24	1107254-24	B	24	.600" DIP to .300" PCB adapters	7.60	7.38	7.04
535-1107254-28	1107254-28	B	28	.600" DIP to .300" PCB adapters	7.14	6.90	6.43

MINI-LINK™ MINIATURE JUMPER

Specifications:

- Body: black UL 94V-0 glass-filled polyester thermoplastic
- Contacts: tin over nickel plated phosphor bronze

Features:

- Mini-Link™ miniature jumpers are useful for jumpering .025" square pins on .100" centers
- Jumper terminal is partially exposed for testing



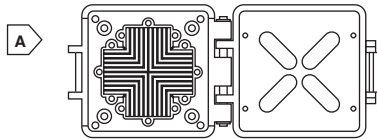
For quantities greater than listed, call for quote.

MOUSER STOCK NO.	Aries Part No.	Price Each		
		1	25	100
535-ME-100	ME-100	0.12	0.107	0.091

UNIVERSAL PLCC ZIF TEST SOCKET

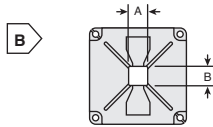
Specifications:

- Body: black ULV-0 glass-filled polyphenylene Sulfide (PPS)
- Contact pin: beryllium copper, gold over nickel plating
- Contact current rating: 1A
- Hardware: stainless steel
- Life cycle: 10,000 insertions max.



Features:

- One socket will accept all seven PLCC sizes: 20, 28, 44, 52, 68 and 84 square PLCC and 32 rectangular PLCC
- Seven adapter plates are available for each PLCC lead count
- The PLCC is inserted "live bug" (pins down)
- Can also be plugged into Aries' Universal ZIF PLCC Socket Receptacle (Mouser Stock No. 535-84-637-10)

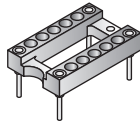


For quantities greater than listed, call for quote.

MOUSER STOCK NO.	Aries Part No.	Fig.	No. of Pins	Dimensions (in.)		Price Each
				A	B	
Universal PLCC ZIF Test Socket						
535-84-537-21	84-537-21	A	---	---	---	235,71
Adapter Plates						
535-20-537-20	20-537-20	B	20	.395/.397	.395/.397	13,64
535-28-537-20	28-537-20	B	28	.495/.497	.495/.497	13,64
535-32-537-20	32-537-20	B	32	.495/.497	.495/.497	13,64
535-44-537-20	44-537-20	B	44	.695/.697	.695/.697	13,64
535-52-537-20	52-537-20	B	52	.795/.797	.795/.797	13,64
535-68-537-20	68-537-20	B	68	.995/.997	.995/.997	13,64
535-84-537-20	84-537-20	B	84	1.195/1.197	1.195/1.197	13,64

4 PIN OSCILLATOR SOCKETS

- Four pin socket accepts standard oscillator packages
- Designed to be end-to-end or side-to-side stackable
- Machine insertable
- Body: Blue UL 94V-0 Glass-filled Polyester Thermoplastic
- Operating Temperature: 221°F [105°C]
- 4-fingered collet contact has 10µ" of Gold plating



For quantities greater than listed, call for quote.

MOUSER STOCK NO.	Aries Part No.	Description	Price Each		
			1	25	100
535-1108800	1108800	Half Size Socket	0,48	0,396	0,322
535-1107741	1107741	Full Size Socket	0,48	0,396	0,322

PLCC TO DIP ADAPTERS

Features:

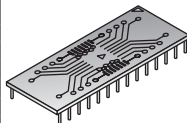
- Converts PLCC packaged IC's to a DIP footprint
- Ideal for prototyping, testing, and evaluation
- PLCC sockets or PLCC contact pads

Specifications:

- Body: FR-4 plastic
- Solder tail pins: brass alloy with tin over nickel plating
- Optional PLCC socket contacts: copper alloy with tin over nickel plating
- Current rating: 1A

For quantities greater than listed, call for quote.

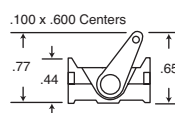
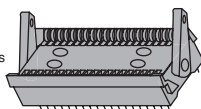
MOUSER STOCK NO.	Aries Part No.	No. of Pins	Price Each		
			1	25	100
With PLCC Pads					
535-28-652000-10	28-652000-10	28	21,09	19,88	19,10
535-44-652000-10	44-652000-10	44	56,78	52,27	51,80
535-68-652000-10	68-652000-10	68	65,74	61,78	58,78
With PLCC Socket					
535-28-653000-10	28-653000-10	28	19,68	18,17	18,01
535-44-653000-10	44-653000-10	44	68,01	63,88	61,63
535-68-653000-10	68-653000-10	68	78,71	72,96	71,38
535-84-653000-10	84-653000-10	84	78,71	72,96	71,38



With PLCC Pads

ZIF IC SOCKETS

A true ZIF (Zero Insertion Force) device. Contacts are normally open and are closed by CAM action controlled by lever arms. A tapered entry guides legs into mating position with contacts.



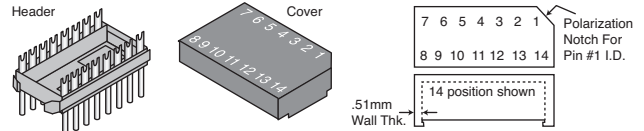
.100" DIP FORK HEADERS AND COVERS

Features:

- Forked contacts accepts up to .025" Dia. leads
- Body cavity design provides additional clearance for components
- Protective covers snap on to headers

Specifications:

- Header body and covers: Red UL 94-HB Glass-filled Nylon
- Contact Rating: 2 Amps
- Operating Temperature: 221°F [105°C] Tin Plating 257°F [125°C] Gold Plating
- PCB Hole Size: .035 Dia.



Headers

For quantities greater than listed, call for quote.

MOUSER STOCK NO.	Aries Part No.	No. of Pins	Row Spacing	Plating	Price Each		
					1	25	100
535-08-600-10	08-600-10	8	.300"	Tin	1,64	1,58	1,37
535-08-600-11	08-600-11	8	.300"	Gold	1,57	1,16	1,08
535-14-600-10	14-600-10	14	.300"	Tin	1,18	1,14	0,99
535-14-600-11	14-600-11	14	.300"	Gold	1,77	1,53	1,37
535-16-600-10	16-600-10	16	.300"	Tin	2,53	2,45	2,16
535-16-600-11	16-600-11	16	.300"	Gold	2,19	1,75	1,63
535-18-600-10	18-600-10	18	.300"	Tin	1,57	1,36	1,11
535-20-600-10	20-600-10	20	.300"	Tin	1,49	1,43	1,23
535-24-600-10	24-600-10	24	.600"	Tin	1,82	1,75	1,49
535-28-600-10	28-600-10	28	.600"	Tin	4,09	3,96	3,47

Covers for Headers

For quantities greater than listed, call for quote.

MOUSER STOCK NO.	Aries Part No.	No. of Pins	Max. Component Height	Price Each		
				1	25	100
535-08-650-10	08-650-10	8	.125"	1,61	1,45	1,37
535-14-650-10	14-650-10	14	.125"	1,61	1,45	1,37
535-16-650-10	16-650-10	16	.125"	1,61	1,45	1,37
535-18-650-10	18-650-10	18	.125"	2,43	2,19	1,91
535-20-650-10	20-650-10	20	.125"	3,16	2,59	1,91
535-24-650-10	24-650-10	24	.125"	2,43	2,19	1,91
535-28-650-10	28-650-10	28	.125"	2,43	2,19	2,06
535-14-650-20	14-650-20	14	.375"	1,61	1,45	1,37
535-16-650-20	16-650-20	16	.375"	1,61	1,45	1,37
535-24-650-20	24-650-20	24	.375"	3,16	2,66	1,91

UNIVERSAL ZIF TEST SOCKETS

Aries universal test sockets accept DIP devices with row-to-row pin spacing of .300" to .600". They are direct replacements for other test sockets currently on the market.

Features:

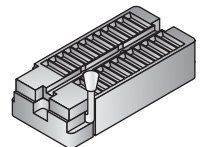
- Accepts DIP devices on .300" to .600" centers
- May be soldered directly to board or plugged into any compatible socket
- Choice of gold or tin plated contacts

Specifications:

- Body: UL94V-0 glass-filled thermoplastic
- Contacts: beryllium copper w/gold or tin over nickel
- Current rating: 1A
- Life cycles: 25,000 to 50,000 insertions

For quantities greater than listed, call for quote.

MOUSER STOCK NO.	Aries Part No.	No. of Pins	Price Each		
			1	10	25
Tin Plated Contacts					
535-24-6554-10	24-6554-10	24	10,23	9,00	8,85
535-28-6554-10	28-6554-10	28	6,65	5,71	5,44
535-32-6554-10	32-6554-10	32	7,43	6,01	5,64
535-40-6554-10	40-6554-10	40	8,86	7,27	7,06
535-48-6554-10	48-6554-10	48	17,69	15,42	15,12
Gold Plated Contacts					
535-24-6554-11	24-6554-11	24	10,44	9,89	9,73
535-28-6554-11	28-6554-11	28	11,68	-	-
535-32-6554-11	32-6554-11	32	13,60	12,70	11,90
535-40-6554-11	40-6554-11	40	15,17	-	-
535-48-6554-11	48-6554-11	48	17,73	16,60	16,29



LO-PRO ZIF IC SOCKETS

These low profile ZIF IC sockets permit 24, 28, or 40 pin DIP devices to be inserted without bending or damaging the leads. No force is required to insert or remove the component from the socket.

Specifications:

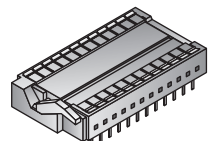
- Body: UL94V-0 glass-filled polyester thermo-plastic
- Contacts: beryllium copper with tin over nickel plating
- Current rating: 2A
- Contacts: tin plated

Features:

- CAM action compresses double sided contacts for gas tight seal
- Test point openings allow access to all pins

For quantities greater than listed, call for quote.

MOUSER STOCK NO.	Aries Part No.	No. of Pins	Price Each		
			1	10	25
535-24-526-10	24-526-10	24	8,09	7,79	-
535-28-526-10	28-526-10	28	8,75	8,50	7,74
535-40-526-10	40-526-10	40	9,28	-	-



DIMENSIONS: in.

For quantities greater than listed, call for quote.

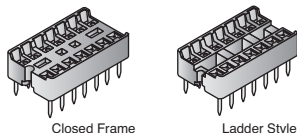
MOUSER STOCK NO.	Aries Part No.	No. of Pins	Plating	Price Each		
				1	10	25
535-28-516-11	28-516-11	28	Gold	17,76	14,81	11,25
535-40-516-11	40-516-11	40	Gold	23,90	19,92	15,14

TE SOCKETS

RoHS Compliant This product is RoHS compliant.

DUAL LEAF DIP SOCKETS

- Housing: glass-filled, black UL 94V-0 rated thermoplastic
- Contact material: phosphor bronze
- Contact plating: tin or gold over nickel



Closed Frame

For quantities greater than listed, call for quote.

MOUSER STOCK NO.	TE Part No.	No. of Pins	Body Width (in.)	Row to Row (in.)	Max Body Length (in.)	Price Each		
						1	25	100
Gold Plated Contacts								
571-1825093-1	1825093-1	6	0.394	0.300	0.295	0,44	0,42	0,404
571-1825093-2	1825093-2	8	0.394	0.300	0.395	0,30	0,29	0,28
571-1825093-3	1825093-3	14	0.394	0.300	0.695	0,71	0,67	0,642
571-1825093-4	1825093-4	16	0.394	0.300	0.795	0,78	0,74	0,707
571-1825093-5	1825093-5	18	0.394	0.300	0.895	1,05	0,99	0,948
571-1825093-6	1825093-6	20	0.394	0.300	0.995	1,12	1,06	1,01
571-1825108-1	1825108-1	24	0.694	0.600	1.195	1,90	1,81	1,72
571-1825108-2	1825108-2	28	0.694	0.600	1.395	1,25	1,13	0,96
571-1825108-3	1825108-3	40	0.694	0.600	1.995	1,78	1,69	1,60

Economy Ladder Style

For quantities greater than listed, call for quote.

MOUSER STOCK NO.	TE Part No.	No. of Pins	Body Width (in.)	Row to Row (in.)	Max Body Length (in.)	Price Each		
						1	25	100
Tin Plated Contacts								
571-1-390261-1	1-390261-1	6	.394	.300	.295	0,11	0,10	0,09
571-1-390261-2	1-390261-2	8	.394	.300	.395	0,13	0,12	0,11
571-1-390261-3	1-390261-3	14	.394	.300	.695	0,12	0,11	0,10
571-1-390261-4	1-390261-4	16	.394	.300	.795	0,13	0,12	0,11
571-1-390261-5	1-390261-5	18	.394	.300	.895	0,13	0,12	0,112
571-1-390261-6	1-390261-6	20	.394	.300	.995	0,18	0,17	0,157
571-1-390261-8	1-390261-8	24	.394	.300	1.195	0,21	0,20	0,19
571-1-390261-9	1-390261-9	28	.394	.300	1.395	0,32	0,294	0,246
571-1-390262-1	1-390262-1	24	.694	.600	1.195	0,27	0,23	0,20
571-1-390262-2	1-390262-2	28	.694	.600	1.395	0,34	0,32	0,30
571-1-390263-2	1-390263-2	32	.694	.600	1.595	0,24	0,19	0,17
571-1-390262-5	1-390262-5	40	.694	.600	1.995	0,41	0,389	0,32
Gold Plated Contacts								
571-1825094-3	1825094-3	14	.394	.300	.695	0,93	0,872	0,81
571-1825094-4	1825094-4	16	.394	.300	.795	1,41	1,26	0,945
571-1825094-6	1825094-6	20	.394	.300	.995	1,54	1,22	1,03
571-1825109-1	1825109-1	24	.694	.600	1.195	1,44	1,24	1,12
571-1825109-2	1825109-2	28	.694	.600	1.395	2,61	2,14	1,72
571-1825109-3	1825109-3	40	.694	.600	1.995	2,69	2,27	2,03

SIMM SOCKETS

Specifications:

- Housing material: liquid crystal polymer UL 94V-0
- Contact material: phosphor bronze
- Vertical Mounting, .050 Centerline
- 72 position, single row



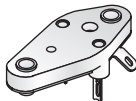
For quantities greater than listed, call for quote.

MOUSER STOCK NO.	TE Part No.	Contact Plating	Polarization	Price Each		
				1	25	100
* 571-5822019-4	5822019-4	Tin	Right	6,39	6,08	5,32

*without center post

TO-3 POWER TRANSISTOR SOCKETS

- Temperature rating: 170°C max.
- Insulation resistance: 500MΩ
- Breakdown voltage: 800Vrms
- RoHS Compliant per Tyco Electronics Documentation
- Contact resistance: 10mΩ max.
- Current rating: 10A max.
- Force: 12 oz. average retention



For quantities greater than listed, call for quote.

MOUSER STOCK NO.	TE Part No.	Lead Dia. (in.)	Contact Plating	Price Each		
				1	25	100
571-9-1437504-0	9-1437504-0	0.04	Tin	16,24	14,76	13,28
571-9-1437504-1	9-1437504-1	0.04	Gold	13,08	12,01	10,37
571-9-1437504-7	9-1437504-7	0.06	Tin	18,93	17,21	15,48

LOW PROFILE TRANSISTOR SOCKET

- Insulator color: Brown



For quantities greater than listed, call for quote.

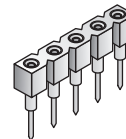
MOUSER STOCK NO.	TE Part No.	Type Leads	No. of Contacts	Contact/Sleeve Plating	Price Each		
					1	25	100
506-8058-1G49	2-1437508-4	PC	8	Gold	11,83	10,17	9,32

© Copyright 2012 Mouser Electronics

© Copyright 2012 Mouser Electronics

SIP BREAK-A-WAY SOCKETS

- Gold plated contacts
- .100" grid spacing
- 10 pin strips



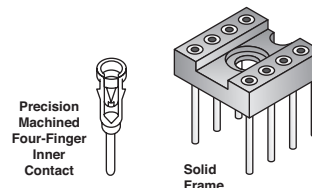
For quantities greater than listed, call for quote.

MOUSER STOCK NO.	TE Part No.	Type	Sleeve Plating	Price Each		
				1	25	100
571-1-1571994-0	1-1571994-0	PC Mount	Tin	2,61	2,48	2,35
506-510-AG90D	2-1437530-8	PC mount	Gold	3,29	3,13	2,97

DIP SOCKETS

With Machined Contacts, Solid Frame

Tapered entry with four-finger machined inner contact and machined outer sleeve. Contact features closed end construction eliminating any solder or flux wicking problems. Meets most severe military requirements for high shock and vibration.



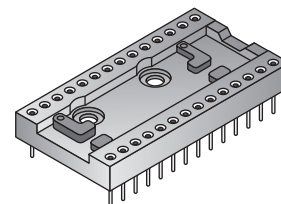
- Low profile
- XY stackable
- UL rated 94V-0, thermoplastic polyester insulator
- PC Mounting

For quantities greater than listed, call for quote.

MOUSER STOCK NO.	TE Part No.	No. of Contacts	Pin Spacing (in.)	Price Each		
				1	25	100
Gold Plated Contact and Tin Plated Sleeve						
571-2-1571550-2	2-1571550-2	8	.3x.1	2,54	2,23	1,99
571-2-1571550-3	2-1571550-3	14	.3x.1	3,04	2,88	2,74
571-2-1571550-4	2-1571550-4	16	.3x.1	2,66	2,53	2,40
Gold Plated Contact and Sleeve						
506-508-AG10D	7-1437529-5	8	.3 x .1	2,10	1,99	1,89

ECONOMY IC SOCKETS

Economy series DIP IC sockets with stamped and rolled contacts. Contacts have tapered entry ensuring proper targeting for automatic and manual IC loading. Sockets also feature four fingered beryllium copper inner contacts.



- Gold contact, tin sleeve
- PC Mounting

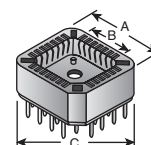
For quantities greater than listed, call for quote.

MOUSER STOCK NO.	TE Part No.	No. of Contacts	Pin Spacing (in.)	Price Each		
				1	25	100
Solid Frame						
571-4-1571551-2	4-1571551-2	8	.3 x .1	1,05	0,945	0,906
571-4-1571551-3	4-1571551-3	14	.3 x .1	1,29	1,21	1,09
571-4-1571551-4	4-1571551-4	16	.3 x .1	1,29	1,14	1,08
571-4-1571551-6	4-1571551-6	20	.3 x .1	2,43	2,17	2,04
571-4-1571551-9	4-1571551-9	28	.6 x .1	1,53	1,46	1,38
571-5-1571551-2	5-1571551-2	40	.6 x .1	2,90	2,42	2,27

PLCC SOCKETS

Specifications:

- Thru-Hole, Economy
- Housing material: UL94V-0 thermoplastic
- Contact material: phosphor bronze
- Contact plating: Tin over Nickel



Sockets

For quantities greater than listed, call for quote.

MOUSER STOCK NO.	TE Part No.	No. of Pins	Dimensions: in.			Price Each		
			A	B	C	1	25	100
571-1-822473-2	1-822473-2	28	0.713	0.300	0.815	1,94	1,71	1,29
571-1-822473-4	1-822473-4	44	0.913	0.500	1.090	2,18	1,93	1,74
571-1-822473-5	1-822473-5	52	1.010	0.600	1.240	1,21	1,11	1,02
571-1-822473-7	1-822473-7	84	1.410	1.000	1.820	1,41	1,29	1,22

Extraction Tool

MOUSER STOCK NO.	TE Part No.	Price Each	
		1	5
571-822154-1	822154-1	4,68	3,11



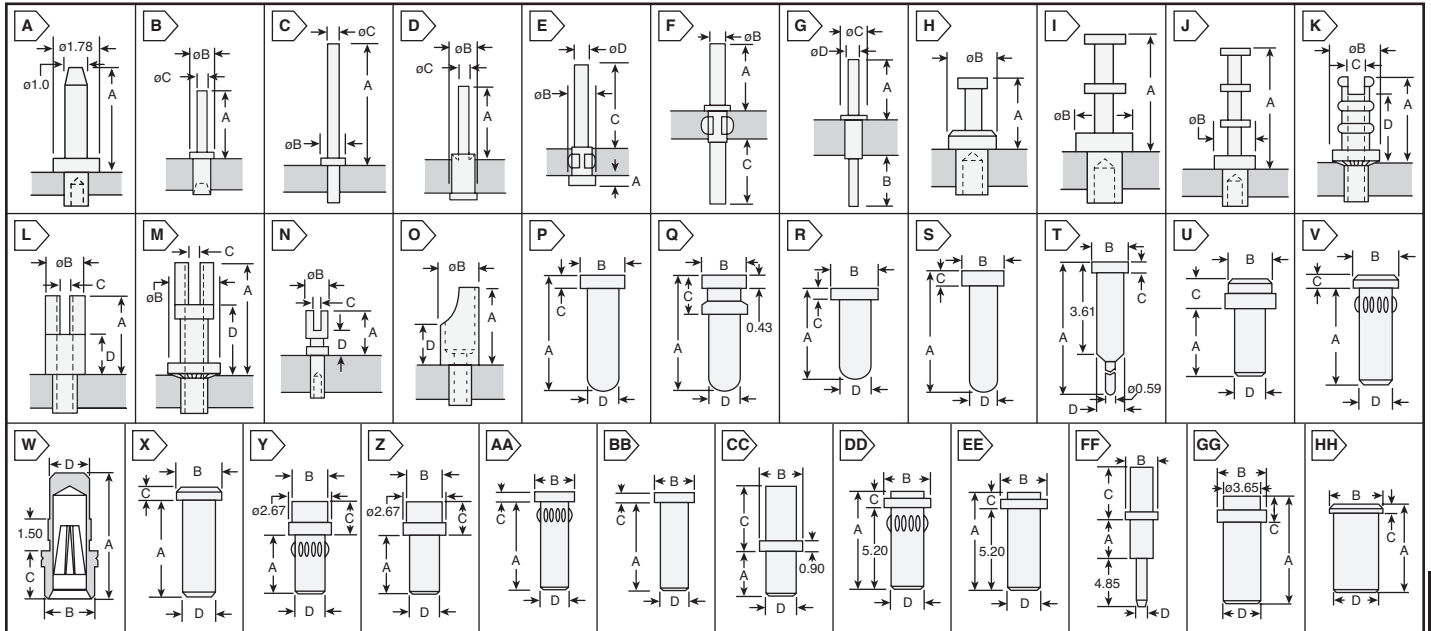
Extraction Tool

© Copyright 2012 Mouser Electronics

HARWIN PCB Receptacles and Pins



RoHS Compliant This product is RoHS compliant.



PCB TURNED TERMINALS

• Material: Brass with tin plating

** Solder Pot

For quantities greater than listed, call for quote.

MOUSER STOCK NO.	Harwin Part No.	Fig.	Dimensions: mm							Price Each			
			A	B	C	D	Thru Hole Ø	Panel Thickness	Mounting Hole Ø	1	10	25	
Terminal Pins													
855-H2174-01	H2174-01	A	4.30	-	-	-	-	-	1.60	1.04/1.14	0,38	0,26	0,221
855-H2175-01	H2175-01	A	5.00	-	-	-	-	-	1.60	1.04/1.14	0,35	0,231	0,221
855-H2173-01	H2173-01	A	8.10	-	-	-	-	-	1.60	1.04/1.14	0,43	0,299	0,26
855-H2176-01	H2176-01	A	9.50	-	-	-	-	-	1.60	1.04/1.14	0,43	0,26	0,214
855-H2170-01	H2170-01	A	13.20	-	-	-	-	-	1.60	1.04/1.14	0,48	0,337	0,289
855-H2101A01	H2101A01	B	6.50	2.40	0.96	-	-	-	1.60	1.79/1.87	0,41	0,25	0,193
855-H2105A01	H2105A01	B	4.50	2.40	0.81	-	-	-	1.60	1.33/1.41	0,53	0,366	0,289
855-H2106A01	H2106A01	B	4.50	2.40	0.81	-	-	-	2.40	1.33/1.41	0,24	0,21	0,19
855-H3108-01	H3108-01	C	5.70	1.00	0.50	-	-	-	1.00	.50/55	0,41	0,25	0,183
855-H2101B01	H2101B01	D	6.75	2.40	0.96	-	-	-	1.60	1.79/1.87	0,48	0,337	0,289
855-H2105B01	H2105B01	D	4.70	2.40	0.81	-	-	-	1.60	1.33/1.41	0,53	0,366	0,289
855-H2157-01	H2157-01	E	1.4 max	2.00	9.80	1.21	-	-	1.60	1.30/1.40	0,40	0,25	0,193
855-H3150-01	H3150-01	E	0.50	1.60	5.40	0.97	-	-	1.60	.99/1.04	0,14	0,11	0,09
855-H3151-01	H3151-01	F	4.40	1.60	4.00	-	-	-	1.60	.99/1.04	0,44	0,308	0,26
855-H2101-01	H2101-01	G	6.00	6.60	2.40	0.91	-	-	1.60	1.79/1.87	0,53	0,366	0,289
855-H2105-01	H2105-01	G	4.50	3.45	2.40	0.81	-	-	1.60	1.33/1.41	0,38	0,231	0,193
Lugs													
855-H9001-01	H9001-01	H	2.40	1.57	-	-	-	-	1.60	1.25/1.33	0,46	0,289	0,241
855-H9004-01	H9004-01	H	4.75	3.18	-	-	-	-	1.60	2.01/2.09	0,48	0,337	0,289
855-H2121-01	H2121-01	I	5.15	3.18	-	-	-	-	1.60	1.69/1.74	0,24	0,21	0,19
855-H9020-01	H9020-01	J	7.65	3.18	-	-	-	-	1.60	2.35/2.45	0,58	0,404	0,356
855-H2071Z01	H2071Z01	K	9.10	4.75	1.70	7.55	1.70	-	2.40	2.68/2.78	0,84	0,645	0,578
855-H2072-01	H2072-01	K	6.35	3.95	1.40	5.15	1.40	-	1.60	2.17/2.27	0,46	0,433	0,419
855-H2072Z01	H2072Z01	K	6.50	3.95	1.17	5.30	1.17	-	1.60	2.01/2.11	0,63	0,482	0,433
855-H2072ZL1	H2072ZL1	K	6.50	3.95	1.17	5.30	1.17	-	2.40	2.01/2.11	0,66	0,51	0,453
855-H2073Z01	H2073Z01	K	9.10	4.75	1.70	7.55	1.70	-	3.20	2.68/2.78	0,53	0,366	0,308
855-H2074Z01	H2074Z01	K	8.75	6.35	2.77	7.15	2.77	-	3.20	3.93/4.03	1,07	0,876	0,77
855-H2051-01	H2051-01	L	4.80	3.18	0.65	2.40	1.02	-	1.60	1.60/1.68	0,23	0,20	0,18
855-H2055-01	H2055-01	L	6.35	3.18	1.20	3.18	1.70	-	2.40	2.4/2.48	0,45	0,308	0,26
855-H2039-01	H2039-01	M	12.70	5.55	1.50	7.95	2.18	-	3.20	3.19/3.27	0,67	0,616	0,552
855-H9023-01	H9023-01	N	3.95	1.83	0.70	2.25	-	-	1.60	1.28/1.38	0,47	0,366	0,318
** 855-H9026-01	H9026-01	O	6.35	3.18	-	3.18	1.10	-	2.40	1.84/1.94	0,47	0,366	0,337

PCB SOCKETS

For quantities greater than listed, call for quote.

MOUSER STOCK NO.	Harwin Part No.	Fig.	Dimensions: mm					Price Each				
			A	B	C	D	Max. Pin Length	Mating Pin Size Ø	Mounting Hole Ø	1	10	25
Sub Miniature Sockets for Ø0.5mm Pins												
855-H3153-01	H3153-01	P	3.61	1.45	0.43	0.99	3.15	0.46-0.51	1.00/1.10	0,41	0,26	0,193
855-H3155-01	H3155-01	Q	3.61	1.45	1.30	0.99	3.15	0.46-0.51	1.00/1.10	0,18	0,16	0,14
855-H3190-01	H3190-01	R	3.00	1.45	0.43	0.99	2.40	0.46-0.51	1.00/1.10	0,24	0,20	0,18
855-H3191-01	H3191-01	S	4.90	1.45	0.43	0.99	4.70	0.46-0.51	1.00/1.10	0,25	0,22	0,20
855-H3192-01	H3192-01	T	7.54	1.45	0.43	0.99	3.15	0.46-0.51	1.00/1.10	0,58	0,404	0,337
PC Board Sockets for Ø0.8mm Pins												
855-H8505-01	H8505-01	U	3.70	2.67	2.35	1.90	4.35	0.75-0.85	1.91/2.01	0,29	0,28	0,27
855-H8501-01	H8501-01	V	5.00	2.35	1.00	1.90	4.50	0.75-0.85	1.91/1.96	0,28	0,27	0,26
855-H8502-01	H8502-01	W	5.90	2.35	2.25	1.85	4.85	0.60-0.85	1.91/1.96	0,27	0,25	0,23
855-H8504-01	H8504-01	X	5.00	2.35	1.00	1.90	4.50	0.75-0.85	1.91/1.96	0,35	0,332	0,303
PC Board Sockets for 1mm Pins												
855-H3165-01	H3165-01	Y	3.75	2.67	2.20	1.90	4.85	0.90-1.05	1.91/1.96	0,53	0,366	0,318
855-H3182-01	H3182-01	Z	3.75	2.67	2.20	1.90	4.85	0.90-1.05	1.91/2.01	0,48	0,337	0,289
855-H3161-01	H3161-01	AA	4.95	2.35	0.60	1.90	4.60	0.90-1.05	1.91/1.96	0,36	0,241	0,212
855-H3183-01	H3183-01	BB	4.95	2.35	0.60	1.90	4.70	0.90-1.05	1.91/2.01	0,47	0,327	0,289
855-H3163-01	H3163-01	CC	3.28	3.28	4.85	2.18	4.85	0.90-1.05	1.91/1.96	0,53	0,394	0,345
855-H3169-01	H3169-01	DD	5.20	3.28	0.90	2.18	---	0.90-1.05	2.19/2.24	0,55	0,424	0,385
855-H3185-01	H3185-01	EE	5.20	3.28	0.90	2.18	---	0.90-1.05	2.19/2.24	0,29	0,26	0,24
855-H3194-01	H3194-01	FF	4.10	3.28	4.70	1.02	4.50	0.90-1.05	2.37/2.47	1,06	1,04	1,03
PC Board Sockets for 2mm Pins												
855-H3490-01	H3490-01	GG	10.60	4.75	2.60	3.65	8.50	1.9-2.2	3.77/3.67	1,32	1,09	1,01
855-H3492-01	H3492-01	HH	8.00	4.75	0.90	4.00	6.30	1.9-2.2	4.02/4.12	1,28	1,06	0,963

MILL-MAX DIP IC Sockets

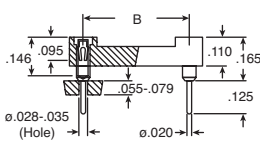
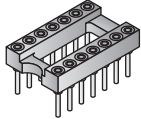


Plating		
Code	Shell	Inner Contact
13	10µ" Gold	30µ" Gold
43	200µ" Tin (Matte Finish)	30µ" Gold
44	200µ" Tin (Matte Finish)	200µ" Tin (Matte Finish)

Plating		
Code	Shell	Inner Contact
93	200µ" Tin/Lead	30µ" Gold
99	200µ" Tin/Lead	100µ" Tin/Lead

STANDARD LOW PROFILE IC SOCKETS WITH SCREW MACHINED SLEEVES

Features open frame design which leaves space beneath the IC for improved heat dissipation and easier PCB cleaning and inspection. 4 finger inner contact is stamped beryllium copper, press fitted into a precision, machined, brass receptacle sleeve.



Tin Sleeve, Tin Contact

For quantities greater than listed, call for quote.

MOUSER STOCK NO.	Mill-Max Part No.	No. of Cont.	Dimensions: in.			Price Each				
			A	B	C	1	10	100	500	
RoHS Compliant										
575-144308	110-44-308-41-001000	8	.4	.3	.4	0,27	0,25	0,246	0,233	
575-1104314	110-44-314-41-001000	14	.7	.3	.4	0,47	0,45	0,431	0,409	
575-1104316	110-44-316-41-001000	16	.8	.3	.4	0,54	0,51	0,492	0,467	
575-1104318	110-44-318-41-001000	18	.9	.3	.4	1,03	0,701	0,576	0,488	
575-1104320	110-44-320-41-001000	20	1.0	.3	.4	0,68	0,64	0,616	0,585	
575-1104324	110-44-324-41-001000	24	1.2	.3	.4	1,04	0,73	0,695	0,661	
575-1104328	110-44-328-41-001000	28	1.4	.3	.4	1,61	1,11	0,891	0,768	
575-1104324	110-44-324-41-001000	24	1.2	.6	.7	1,04	0,73	0,695	0,661	
575-1104628	110-44-628-41-001000	28	1.4	.6	.7	0,95	0,90	0,862	0,819	
575-1144632	110-44-632-41-001000	32	1.6	.6	.7	1,83	1,27	1,02	0,875	
575-1104640	110-44-640-41-001000	40	2.0	.6	.7	1,74	1,21	1,15	1,09	
Non-RoHS Compliant										
575-199308	110-99-308-41-001000	8	.4	.3	.4	0,25	0,24	0,23	0,22	
575-199314	110-99-314-41-001000	14	.7	.3	.4	0,61	0,43	0,405	0,385	
575-199316	110-99-316-41-001000	16	.8	.3	.4	0,51	0,48	0,46	0,441	
575-199318	110-99-318-41-001000	18	.9	.3	.4	1,03	0,701	0,576	0,488	
575-199320	110-99-320-41-001000	20	1.0	.3	.4	0,87	0,60	0,579	0,55	
575-199324	110-99-324-41-001000	24	1.2	.3	.4	0,96	0,91	0,87	0,826	
575-199328	110-99-328-41-001000	28	1.4	.3	.4	1,20	1,07	0,883	0,70	
575-199624	110-99-624-41-001000	24	1.2	.6	.7	1,39	0,957	0,768	0,654	
575-199628	110-99-628-41-001000	28	1.4	.6	.7	1,21	0,85	0,812	0,771	
575-199632	110-99-632-41-001000	32	1.6	.6	.7	1,83	1,27	1,02	0,875	
575-199640	110-99-640-41-001000	40	2.0	.6	.7	1,72	1,21	1,15	1,09	

Tin Sleeve, Gold Contact

For quantities greater than listed, call for quote.

MOUSER STOCK NO.	Mill-Max Part No.	No. of Cont.	Dimensions: in.			Price Each				
			A	B	C	1	10	100	500	
RoHS Compliant										
575-11043308	110-43-308-41-001000	8	.4	.3	.4	0,59	0,41	0,33	0,303	
575-143314	110-43-314-41-001000	14	.7	.3	.4	0,87	0,58	0,55	0,529	
575-11043316	110-43-316-41-001000	16	.8	.3	.4	0,99	0,70	0,63	0,606	
575-11043318	110-43-318-41-001000	18	.9	.3	.4	1,12	0,78	0,64	0,53	
575-11043320	110-43-320-41-001000	20	1.0	.3	.4	1,25	0,87	0,70	0,61	
575-11043324	110-43-324-41-001000	24	1.2	.3	.4	1,49	1,03	0,95	0,909	
575-11043328	110-43-328-41-001000	28	1.4	.3	.4	2,43	1,68	1,36	1,17	
575-11043422	110-43-422-41-001000	22	1.1	.4	.5	1,43	1,23	1,06	0,908	
575-11043624	110-43-624-41-001000	24	1.2	.6	.7	1,49	1,03	0,95	0,909	
575-11043628	110-43-628-41-001000	28	1.4	.6	.7	1,75	1,21	0,98	0,86	
575-11043632	110-43-632-41-001000	32	1.6	.6	.7	1,99	1,39	1,12	0,97	
575-11043640	110-43-640-41-001000	40	2.0	.6	.7	2,49	1,74	1,42	1,19	
575-11043648	110-43-648-41-001000	48	2.4	.6	.7	4,16	2,88	2,33	1,99	
575-11043964	110-43-964-41-001000	64	3.2	.9	1.0	5,54	3,84	3,10	2,66	
Non-RoHS Compliant										
575-193308	110-93-308-41-001000	8	.4	.3	.4	0,49	0,32	0,31	0,295	
575-193314	110-93-314-41-001000	14	.7	.3	.4	0,87	0,61	0,54	0,518	
575-193316	110-93-316-41-001000	16	.8	.3	.4	0,99	0,75	0,718	0,682	
575-193318	110-93-318-41-001000	18	.9	.3	.4	1,12	0,78	0,70	0,666	
575-193320	110-93-320-41-001000	20	1.0	.3	.4	1,26	0,87	0,77	0,74	
575-193324	110-93-324-41-001000	24	1.2	.3	.4	1,49	1,04	0,93	0,888	
575-193328	110-93-328-41-001000	28	1.4	.3	.4	2,43	1,68	1,36	1,17	
575-193422	110-93-422-41-001000	22	1.1	.4	.5	1,91	1,33	1,06	0,916	
575-193624	110-93-624-41-001000	24	1.2	.6	.7	1,49	1,04	0,93	0,888	
575-193628	110-93-628-41-001000	28	1.4	.6	.7	1,67	1,29	1,06	0,96	
575-193632	110-93-632-41-001000	32	1.6	.6	.7	2,77	1,91	1,55	1,33	
575-193640	110-93-640-41-001000	40	2.0	.6	.7	2,49	1,74	1,56	1,48	
575-193648	110-93-648-41-001000	48	2.4	.6	.7	2,48	2,19	1,80	1,72	
575-193964	110-93-964-41-001000	64	3.2	.9	1.0	5,54	3,84	3,11	2,66	

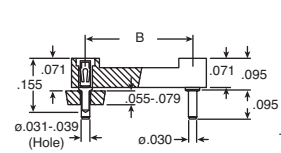
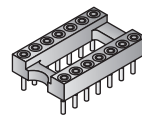
Gold Sleeve, Gold Contact

For quantities greater than listed, call for quote.

MOUSER STOCK NO.	Mill-Max Part No.	No. of Cont.	Dimensions: in.			Price Each				
			A	B	C	1	10	100	500	
RoHS Compliant										
575-113308	110-13-308-41-001000	8	.4	.3	.4	0,69	0,49	0,43	0,413	
575-113314	110-13-314-41-001000	14	.7	.3	.4	1,23	0,84	0,75	0,716	
575-113316	110-13-316-41-001000	16	.8	.3	.4	1,39	0,97	0,87	0,826	
575-113318	110-13-318-41-001000	18	.9	.3	.4	1,59	1,08	0,97	0,93	
575-113320	110-13-320-41-001000	20	1.0	.3	.4	1,74	1,21	1,03	0,987	
575-113324	110-13-324-41-001000	24	1.2	.3	.4	2,11	1,46	1,25	1,18	
575-113328	110-13-328-41-001000	28	1.4	.3	.4	3,56	2,46	1,99	1,71	
575-113624	110-13-624-41-001000	24	1.2	.6	.7	2,11	1,46	1,25	1,18	
575-113628	110-13-628-41-001000	28	1.4	.6	.7	2,44	1,69	1,38	1,21	
575-113632	110-13-632-41-001000	32	1.6	.6	.7	4,06	2,81	2,28	1,95	
575-113640	110-13-640-41-001000	40	2.0	.6	.7	3,49	2,42	1,96	1,69	

ULTRA LOW PROFILE IC SOCKETS WITH SCREW MACHINED SLEEVES

Socket height is .095" above the printed circuit board. It has all the features of the standard low profile series including open frame design, for maximum heat dissipation and easier cleaning. 4 finger stamped beryllium copper inner contact, press fitted into a precision machined brass receptacle sleeve.



Tin Sleeve, Tin Contact

For quantities greater than listed, call for quote.

MOUSER STOCK NO.	Mill-Max Part No.	No. of Cont.	Dimensions: in.			Price Each				
			A	B	C	1	10	100	500	
RoHS Compliant										
575-343308	115-43-308-41-003000	8	.4	.3	.4	0,63	0,60	0,575	0,547	
575-115433143	115-43-314-41-003000	14	.7	.3	.4	1,03	0,98	0,932	0,885	
575-115433163	115-43-316-41-003000	16	.8	.3	.4	1,17	1,11	1,05	1,00	
575-115433183	115-43-318-41-003000	18	.9	.3	.4	2,20	1,53	1,23	1,05	
575-115433203	115-43-320-41-003000	20	1.0	.3	.4	1,90	1,80	1,71	1,62	
575-115433243	115-43-324-41-003000	24	1.2	.3	.4	1,44	1,37	1,30	1,24	
575-11532803	115-43-328-41-003000	28	1.4	.3	.4	1,73	1,64	1,56	1,48	
575-115436243	115-43-624-41-003000	24	1.2	.6	.7	1,44	1,37	1,30	1,24	
575-115436283	115-43-628-41-003000	28	1.4	.6	.7	1,73	1,64	1,56	1,48	
575-115436323	115-43-632-41-003000	32	1.6	.6	.7	3,70	2,55	2,06	1,77	
575-115436403	115-43-640-41-003000	40	2.0	.6	.7	2,74	2,60	2,47	2,34	
Non-RoHS Compliant										
575-393308	115-93-308-41-003000	8	.4	.3	.4	0,56	0,53	0,507	0,482	
575-393314	115-93-314-41-003000	14	.7	.3	.4	0,93	0,89	0,846	0,807	
575-393316	115-93-316-41-003000	16	.8	.3	.4	0,94	0,89	0,85	0,804	
575-393318	115-93-318-41-003000	18	.9	.3	.4	2,03	1,40	1,13	0,974	
575-393320	115-93-320-41-003000	20	1.0	.3	.4	1,30	1,23	1,17	1,11	
575-393324	115-93-324-41-003000	24	1.2	.3	.4	1,42	1,35	1,28	1,22	
575-393328	115-93-328-41-003000	28	1.4	.3	.4	3,04	2,11	1,71	1,46	
575-393422	115-93-422-41-003000	22								

MILL-MAX DIP IC Sockets



Plating		
Code	Shell	Inner Contact
13	10µ" Gold	30µ" Gold
43	200µ" Tin (Matte Finish)	30µ" Gold
44	200µ" Tin (Matte Finish)	200µ" Tin (Matte Finish)

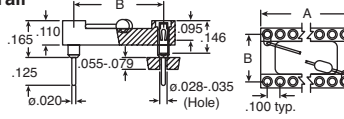
Plating		
Code	Shell	Inner Contact
93	200µ" Tin/Lead	30µ" Gold
99	200µ" Tin/Lead	100µ" Tin/Lead

IC SOCKETS WITH INTEGRAL DECOUPLING CAPACITOR

Tin Sleeve, Gold Contact, Solder Tail

- Capacitor: .1µF 20%-50V
- Temperature range: -25°C to +85°C

DIMENSIONS: in.



For quantities greater than listed, call for quote.

MOUSER STOCK NO.	Mill-Max Part No.	No. of Cont.	Dimensions: in.			Price Each			
			A	B	C	1	10	100	500
RoHS Compliant									
575-110433148	110-43-314-41-801000	14	.7	.3	.4	1.85	1.75	1.67	1.58
575-110433168	110-43-316-41-801000	16	.8	.3	.4	2.82	2.68	2.54	2.42
575-110433208	110-43-320-41-801000	20	1.0	.3	.4	3.99	2.77	2.47	2.34
575-110436248	110-43-624-41-801000	24	1.2	.6	.7	4.53	4.22	3.20	2.80
575-110436288	110-43-628-41-801000	28	1.4	.6	.7	3.51	3.33	3.16	3.01
575-9362441	123-43-624-41-801000	24	1.2	.6	.7	7.37	6.38	5.15	4.41
Non-RoHS Compliant									
575-493314	110-93-314-41-801000	14	.7	.3	.4	3.06	2.12	1.76	1.67
575-493316	110-93-316-41-801000	16	.8	.3	.4	3.19	2.21	1.96	1.87
575-493318	110-93-318-41-801000	18	.9	.3	.4	2.23	2.11	2.01	1.91
575-493320	110-93-320-41-801000	20	1.0	.3	.4	3.46	2.41	2.16	2.05
575-493324	110-93-324-41-801000	24	1.2	.3	.4	3.95	2.73	2.48	2.35
575-493624	110-93-624-41-801000	24	1.2	.6	.7	4.60	3.98	3.22	2.75
575-493628	110-93-628-41-801000	28	1.4	.6	.7	4.48	3.11	2.77	2.63
575-493640	110-93-640-41-801000	40	2.0	.6	.7	7.95	6.89	5.56	4.77

Gold Sleeve, Gold Contact, Solder Tail

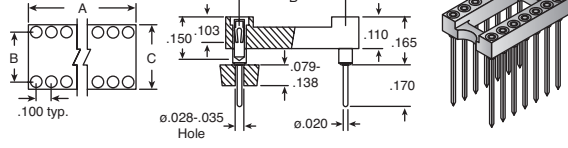
For quantities greater than listed, call for quote.

RoHS Compliant									
MOUSER STOCK NO.	Mill-Max Part No.	No. of Cont.	A	B	C	1	10	100	500
575-413314	110-13-314-41-801000	14	.7	.3	.4	3.42	2.94	2.53	2.16
575-413316	110-13-316-41-801000	16	.8	.3	.4	4.16	3.61	2.90	2.49
575-413318	110-13-318-41-801000	18	.9	.3	.4	4.52	3.92	3.16	2.71
575-413320	110-13-320-41-801000	20	1.0	.3	.4	4.28	3.70	2.99	2.57
575-413324	110-13-324-41-801000	24	1.2	.3	.4	5.22	4.53	3.66	3.14
575-413624	110-13-624-41-801000	24	1.2	.6	.7	5.48	4.74	3.83	3.28
575-413628	110-13-628-41-801000	28	1.4	.6	.7	5.93	5.14	4.15	3.56
575-413640	110-13-640-41-801000	40	2.0	.6	.7	9.36	8.10	6.54	5.61

DUAL-IN-LINE SOCKETS

Long Solder Tail for Multilayer PC Boards, Open Frame

DIP sockets with increased solder tail length of .170", allowing application on multilayer PCB's up to .139" thickness. Other lengths available upon request.

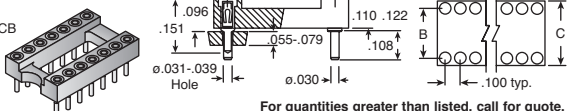


For quantities greater than listed, call for quote.

RoHS Compliant									
MOUSER STOCK NO.	Mill-Max Part No.	No. of Cont.	A	B	C	1	10	100	500
575-11143308	111-43-308-41-001000	8	.4	.3	.4	0.85	0.59	0.51	0.486
575-11143314	111-43-314-41-001000	14	.7	.3	.4	1.12	0.86	0.82	0.779
575-11143316	111-43-316-41-001000	16	.8	.3	.4	1.02	0.97	0.92	0.881
575-11143320	111-43-320-41-001000	20	1.0	.3	.4	1.82	1.26	1.11	1.05
575-11143628	111-43-628-41-001000	28	1.4	.6	.7	2.11	1.61	1.53	1.45
575-11143640	111-43-640-41-001000	40	2.0	.6	.7	2.39	2.27	2.16	2.05
Non-RoHS Compliant									
575-993308	111-93-308-41-001000	8	.4	.3	.4	1.01	0.693	0.562	0.482
575-993314	111-93-314-41-001000	14	.7	.3	.4	1.67	1.15	0.924	0.794
575-993316	111-93-316-41-001000	16	.8	.3	.4	1.90	1.30	1.06	0.908
575-993320	111-93-320-41-001000	20	1.0	.3	.4	2.38	1.65	1.33	1.14
575-993324	111-93-324-41-001000	24	1.2	.3	.4	2.83	1.96	1.58	1.35
575-993624	111-93-624-41-001000	24	1.2	.6	.7	2.84	1.96	1.59	1.36
575-993628	111-93-628-41-001000	28	1.4	.6	.7	3.28	2.28	1.83	1.57
575-993632	111-93-632-41-001000	32	1.6	.6	.7	3.75	2.60	2.10	1.79
575-993640	111-93-640-41-001000	40	2.0	.6	.7	4.65	3.23	2.61	2.23

Very Low Profile, Open Frame

- Reduced height: only .122" above PCB



For quantities greater than listed, call for quote.

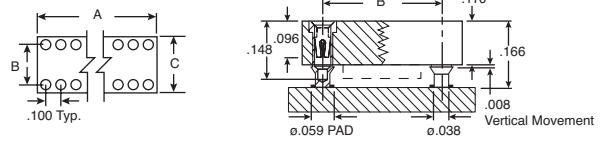
RoHS Compliant									
MOUSER STOCK NO.	Mill-Max Part No.	No. of Cont.	A	B	C	1	10	100	500
575-11543308	115-43-308-41-001000	8	.4	.3	.4	0.92	0.767	0.628	0.462
575-11543314	115-43-314-41-001000	14	.7	.3	.4	1.23	0.94	0.893	0.849
575-11543316	115-43-316-41-001000	16	.8	.3	.4	1.41	0.96	0.915	0.869
575-11543318	115-43-318-41-001000	18	.9	.3	.4	1.64	1.15	1.02	0.971
575-11543624	115-43-624-41-001000	24	1.2	.6	.7	2.37	2.01	1.64	1.20
575-11543628	115-43-628-41-001000	28	1.4	.6	.7	1.85	1.75	1.67	1.58
575-11543640	115-43-640-41-001000	40	2.0	.6	.7	3.93	3.31	2.71	2.00
Non-RoHS Compliant									
575-893308	115-93-308-41-001000	8	.4	.3	.4	0.56	0.53	0.509	0.484
575-893314	115-93-314-41-001000	14	.7	.3	.4	1.18	0.85	0.808	0.767
575-893316	115-93-316-41-001000	16	.8	.3	.4	1.02	0.97	0.922	0.876
575-893318	115-93-318-41-001000	18	.9	.3	.4	1.43	1.09	1.04	0.988
575-893320	115-93-320-41-001000	20	1.0	.3	.4	1.85	1.56	1.28	1.02
575-893324	115-93-324-41-001000	24	1.2	.3	.4	1.43	1.36	1.30	1.22
575-893328	115-93-328-41-001000	28	1.4	.3	.4	1.54	1.46	1.39	1.32
575-893624	115-93-624-41-001000	24	1.2	.6	.7	1.43	1.36	1.30	1.22
575-893628	115-93-628-41-001000	28	1.4	.6	.7	1.54	1.46	1.39	1.32
575-893632	115-93-632-41-001000	32	1.6	.6	.7	2.62	2.26	1.96	1.67
575-893640	115-93-640-41-001000	40	2.0	.6	.7	3.21	2.76	2.38	2.04

© Copyright 2012 Mouser Electronics

DUAL-IN-LINE SOCKETS (CONT.)

Surface Mount, Auto Placement, Stub Tail, Closed Tail

- Closed frame insulator is vision system compatible.



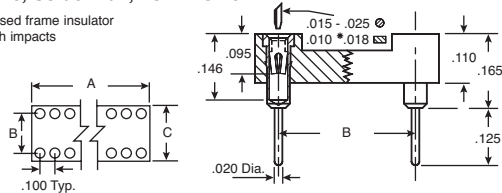
DIMENSIONS: in.

For quantities greater than listed, call for quote.

MOUSER STOCK NO.	Mill-Max Part No.	No. of Cont.	Dimensions: in.			Price Each			
			A	B	C	1	10	100	500
RoHS Compliant									
575-4430801	214-44-308-01-670800	8	0.4	0.3	0.4	0.96	0.817	0.662	0.563
575-4431401	214-44-314-01-670800	14	0.7	0.3	0.4	1.44	1.25	1.01	0.866
575-4431601	214-44-316-01-670800	16	0.8	0.3	0.4	1.61	1.39	1.12	0.957
575-4431801	214-44-318-01-670800	18	0.9	0.3	0.4	1.77	1.53	1.23	1.05
575-4432001	214-44-320-01-670800	20	1.0	0.3	0.4	1.86	1.61	1.31	1.11
575-4462401	214-44-624-01-670800	24	1.2	0.6	0.7	2.18	1.88	1.52	1.30
575-4462801	214-44-628-01-670800	28	1.4	0.6	0.7	2.48	2.15	1.74	1.49
575-4463201	214-44-632-01-670800	32	1.6	0.6	0.7	2.81	2.43	1.96	1.67
575-4464001	214-44-640-01-670800	40	2.0	0.6	0.7	3.31	2.86	2.31	1.98
Non-RoHS Compliant									
575-930801	214-99-308-01-670800	8	0.4	0.3	0.4	0.62	0.536	0.435	0.376
575-931401	214-99-314-01-670800	14	0.7	0.3	0.4	1.08	0.908	0.756	0.648
575-2149931	214-99-316-01-670800	16	0.8	0.3	0.4	1.25	1.09	0.875	0.749
575-931801	214-99-318-01-670800	18	0.9	0.3	0.4	1.41	1.22	0.99	0.842
575-932001	214-99-320-01-670800	20	1.0	0.3	0.4	1.80	1.50	1.20	1.07
575-963201	214-99-632-01-670800	32	1.6	0.6	0.7	2.40	1.67	1.60	1.44

Closed Frame, Solder Tail, Low Profile

- Low profile closed frame insulator withstands high impacts



DIMENSIONS: in.

For quantities greater than listed, call for quote.

MOUSER STOCK NO.	Mill-Max Part No.	No. of Cont.	Dimensions: in.			Price Each			
			A	B	C	1	10	100	500
RoHS Compliant									
575-21043380	210-43-308-41-001000	8	.4	.3	.4	0.50	0.48	0.462	0.438
575-21043314	210-43-314-41-001000	14	.7	.3	.4	1.04	0.77	0.736	0.699
575-21043316	210-43-316-41-001000	16	.8	.3	.4	1.19	0.88	0.841	

MILL-MAX Spring Loaded Contacts



RoHS Compliant This product is RoHS compliant.

DISCRETE SPRING LOADED CONTACTS

When the power is on, you don't want shock or vibration to create spurious signals. Mill-Max Spring-Loaded (Pogo Pin) Contacts provide a reliable electrical connection in the most rigorous environments.

Features:

- Maximum Continuity: Precision-machined gold-plated components and a low resistance spring maintain a consistent electrical path
- Maximum Stability: Tested to a minimum of 50G shock and 10G vibration with no spikes >1µs and >1.15V with 0.5A applied
- Maximum Endurance: 1,000,000 cycles and still electrically silent

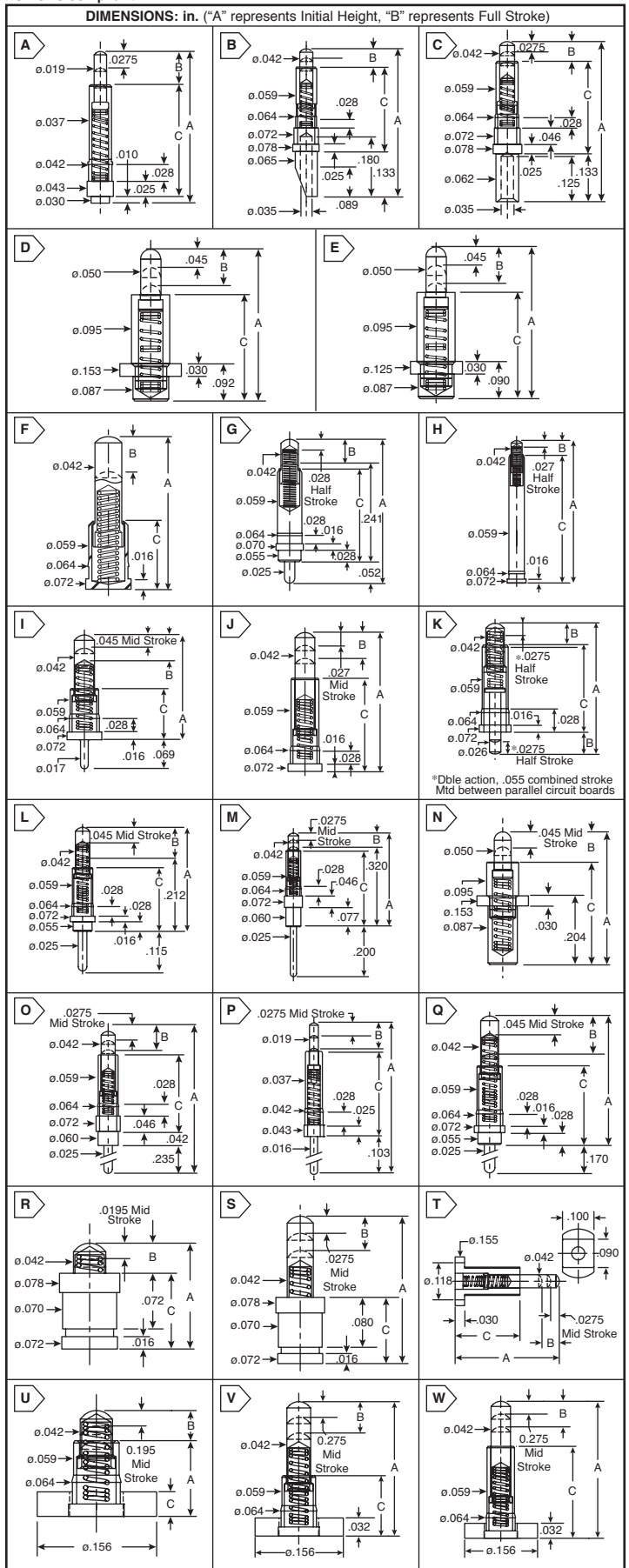
Applications:

- Capable Termination
- Internal Battery Connection
- Charge Base for Portable Instruments
- PCB Connection



For quantities greater than listed, call for quote.

MOUSER STOCK NO.	Mill-Max Part No.	Fig.	Dimensions: in.			Price Each			
			A	B	C	1	10	100	200
575-09510152071	0951-0-15-20-71-14-11-0	A	0.252	0.055	0.186	0,87	0,767	0,648	0,513
575-09330152075	0933-0-15-20-75-14-11-0	B	0.441	0.055	0.253	1,08	0,998	0,752	0,669
575-09620152075	0962-0-15-20-75-14-11-0	C	0.441	0.055	0.253	1,00	0,924	0,695	0,617
575-0851015208214110	0851-0-15-20-82-14-11-0	D	0.378	0.090	0.265	2,29	2,04	1,68	1,50
575-0853015208214110	0853-0-15-20-82-14-11-0	E	0.378	0.090	0.288	3,42	3,17	2,37	2,10
575-900011	0900-0-00-00-00-00-11-0	F	0.137	0.039	0.098	0,32	0,30	0,292	0,277
575-090011	0900-1-00-00-00-00-11-0	F	0.177	0.055	0.106	0,31	0,29	0,283	0,269
575-900211	0900-2-00-00-00-00-11-0	F	0.197	0.055	0.106	0,31	0,29	0,284	0,27
575-900311	0900-3-00-00-00-00-11-0	F	0.217	0.055	0.106	0,31	0,30	0,285	0,271
575-900411	0900-4-00-00-00-00-11-0	F	0.236	0.055	0.106	0,32	0,30	0,292	0,277
575-901011	0901-0-00-00-00-00-11-0	G	0.348	0.055	0.226	0,38	0,36	0,35	0,322
575-905011	0905-0-00-00-00-00-11-0	H	0.638	0.055	0.638	0,85	0,759	0,62	0,496
575-906015	0906-0-15-20-76-14-11-0	I	0.137	0.039	0.098	0,35	0,34	0,324	0,308
575-906115	0906-1-15-20-75-14-11-0	I	0.177	0.055	0.106	0,33	0,31	0,301	0,286
575-906215	0906-2-15-20-75-14-11-0	I	0.197	0.055	0.106	0,33	0,31	0,301	0,286
575-906315	0906-3-15-20-75-14-11-0	I	0.217	0.055	0.106	0,29	0,28	0,269	0,256
575-906415	0906-4-15-20-75-14-11-0	I	0.236	0.055	0.106	0,29	0,28	0,269	0,256
575-907011	0907-0-15-20-75-14-11-0	J	0.255	0.055	0.198	0,35	0,33	0,321	0,305
575-907111	0907-1-15-20-75-14-11-0	J	0.275	0.055	0.198	0,45	0,39	0,33	0,295
575-907211	0907-2-15-20-75-14-11-0	J	0.295	0.055	0.198	0,37	0,35	0,338	0,321
575-907311	0907-3-15-20-75-14-11-0	J	0.315	0.055	0.198	0,73	0,69	0,58	0,46
575-907411	0907-4-15-20-75-14-11-0	J	0.335	0.055	0.198	0,35	0,30	0,297	0,291
575-907511	0907-5-15-20-75-14-11-0	J	0.350	0.055	0.198	0,64	0,545	0,504	0,416
575-907611	0907-6-15-20-75-14-11-0	J	0.370	0.055	0.198	0,35	0,30	0,297	0,291
575-907711	0907-7-15-20-75-14-11-0	J	0.390	0.055	0.198	0,35	0,30	0,297	0,291
575-907811	0907-8-15-20-75-14-11-0	J	0.410	0.055	0.198	0,51	0,48	0,461	0,438
575-907911	0907-9-15-20-75-14-11-0	J	0.430	0.055	0.198	0,31	0,30	0,298	0,292
575-980011	0980-0-15-20-75-14-11-0	K	0.298	0.050	0.198	0,82	0,79	0,61	0,51
575-914015	0914-0-15-20-77-14-11-0	L	0.302	0.090	0.185	0,49	0,46	0,445	0,423
575-922015	0922-0-15-20-75-14-11-0	M	0.375	0.055	0.305	0,53	0,50	0,483	0,459
575-850152	0850-0-15-20-83-14-11-0	N	0.395	0.090	0.304	1,46	1,01	0,818	0,756
575-929152	0929-0-15-20-75-14-11-0	O	0.575	0.055	0.228	1,20	1,05	0,787	0,70
575-950152	0950-0-15-20-71-14-11-0	P	0.351	0.055	0.186	0,83	0,739	0,608	0,545
575-932152	0932-0-15-20-77-14-11-0	Q	0.472	0.090	0.185	1,10	0,982	0,736	0,654
575-910076	0910-0-57-20-76-14-11-0	R	0.137	0.039	0.098	1,19	1,06	0,875	0,772
575-910175	0910-1-57-20-75-14-11-0	S	0.177	0.055	0.106	1,17	1,05	0,858	0,766
575-910275	0910-2-57-20-75-14-11-0	S	0.197	0.055	0.106	1,18	1,05	0,866	0,766
575-910375	0910-3-57-20-75-14-11-0	S	0.217	0.055	0.106	1,18	1,06	0,866	0,766
575-910475	0910-4-57-20-75-14-11-0	S	0.236	0.055	0.106	1,19	1,06	0,866	0,776
575-967075	0967-0-15-20-75-14-11-0	T	0.331	0.055	0.206	0,89	0,795	0,654	0,542
575-990076	0990-0-50-20-76-14-11-0	U	0.098	0.039	0.032	0,57	0,511	0,421	0,366
575-990175	0990-1-50-20-75-14-11-0	V	0.177	0.055	0.106	0,55	0,497	0,409	0,335
575-990275	0990-2-50-20-75-14-11-0	V	0.197	0.055	0.106	0,56	0,501	0,412	0,335
575-990375	0990-3-50-20-75-14-11-0	V	0.217	0.055	0.106	0,56	0,506	0,416	0,336
575-990475	0990-4-50-20-75-14-11-0	V	0.236	0.055	0.106	0,57	0,51	0,419	0,344
575-997075	0997-0-50-20-75-14-11-0	W	0.255	0.055	0.198	0,64	0,576	0,474	0,389
575-997175	0997-1-50-20-75-14-11-0	W	0.275	0.055	0.198	0,65	0,58	0,477	0,39
575-997275	0997-2-50-20-75-14-11-0	W	0.295	0.055	0.198	0,65	0,584	0,48	0,39
575-997375	0997-3-50-20-75-14-11-0	W	0.315	0.055	0.198	0,66	0,589	0,485	0,399
575-997475	0997-4-50-20-75-14-11-0	W	0.335	0.055	0.198	0,66	0,593	0,488	0,399
575-997575	0997-5-50-20-75-14-11-0	W	0.350	0.055	0.198	0,67	0,596	0,491	0,399
575-997675	0997-6-50-20-75-14-11-0	W	0.370	0.055	0.198	0,67	0,601	0,494	0,408
575-997775	0997-7-50-20-75-14-11-0	W	0.390	0.055	0.198	0,68	0,605	0,498	0,409
575-997875	0997-8-50-20-75-14-11-0	W	0.410	0.055	0.198	0,69	0,61	0,502	0,417
575-997975	0997-9-50-20-75-14-11-0	W	0.430	0.055	0.198	0,69	0,615	0,506	0,418



Mill-Max Sockets

MILL-MAX Spring Loaded Connectors



RoHS Compliant This product is RoHS compliant.

.100" SPRING LOADED SURFACE MOUNT CONNECTORS

Features:

- Modular contacts for use on 2.54 grid, available in five heights from 3,48 to 5,99, supplied in single and double row contact strips
- Precision-machined piston / base and gold plated components assure a 1,000,000 min. cycle life
- Pistons have a long stroke relative to the low profile of the assembly
- Low resistance, high current contacts are rated at 2 amps continuous, 3 amps peak
- High temperature thermoplastic insulators are suitable for surface mount processes

For quantities greater than listed, call for quote.

MOUSER STOCK NO.	Mill-Max Part No.	Fig.	Contacts	DIMENSIONS: in.		Price Each		
				Initial Ht. (A)	Stroke (B)	1	5	10
Single Row								
575-64-30-000	811-22-064-30-000101	A	64	0.137	0.039	20,72	19,69	19,24
575-64-30-001	811-22-064-30-001101	A	64	0.177	0.055	20,15	19,36	18,72
575-64-30-004	811-22-064-30-004101	A	64	0.236	0.055	20,77	19,85	18,82
575-064100	821-22-064-10-000101	B	64	0.137	0.039	21,62	20,69	20,07
575-064101	821-22-064-10-001101	B	64	0.177	0.055	21,76	19,78	18,74
575-064102	821-22-064-10-002101	B	64	0.197	0.055	21,90	19,82	18,78
575-064103	821-22-064-10-003101	B	64	0.217	0.055	22,16	20,06	18,99
575-064104	821-22-064-10-004101	B	64	0.236	0.055	22,38	21,55	20,77
Double Row								
575-72-30-000	813-22-072-30-000101	C	72	0.137	0.039	23,06	21,90	20,78
575-72-30-001	813-22-072-30-001101	C	72	0.177	0.055	22,09	21,53	20,43
575-72-30-002	813-22-072-30-002101	C	72	0.197	0.055	22,46	21,34	20,27
575-72-30-003	813-22-072-30-003101	C	72	0.217	0.055	22,87	21,70	21,24
575-72-30-004	813-22-072-30-004101	C	72	0.236	0.055	22,65	22,09	20,95
575-072100	823-22-072-10-000101	D	72	0.137	0.039	24,07	23,48	22,34
575-721011	823-22-072-10-001101	D	72	0.177	0.055	24,23	23,50	22,50
575-072102	823-22-072-10-002101	D	72	0.197	0.055	24,44	22,10	20,96
575-072103	823-22-072-10-003101	D	72	0.217	0.055	24,67	22,31	21,14
575-072104	823-22-072-10-004101	D	72	0.236	0.055	24,92	22,54	21,36

SERIES 810 HORIZONTAL SMT CONNECTORS

Features:

- Modular contacts for use on .100" grid, supplied in single row contact strips. Piston action is parallel to the board surface
- Precision-machined piston / base and gold plated components assure a 1,000,000 min. cycle life
- Pistons have a .045" mid. stroke & .090" max. stroke
- Low resistance, high current contacts are rated at 2 amps continuous, 3 amps peak
- High temperature thermoplastic insulators are suitable for surface mount processes
- 810 series contact strips are designed for manual placement onto solder pads

For quantities greater than listed, call for quote.

MOUSER STOCK NO.	Mill-Max Part No.	Fig.	Contacts	DIMENSIONS: in.		Price Each		
				Initial Ht. (A)	Stroke (B)	1	5	10
Single Row, Horizontal Mount								
575-8102200340001101	810-22-003-40-001101	E	3	.090	.045	7,87	7,23	7,03
575-8102200440001101	810-22-004-40-001101	E	4	.090	.045	7,85	7,38	7,02
575-8102200540001101	810-22-005-40-001101	E	5	.090	.045	8,60	7,99	7,68
575-8102200640001101	810-22-006-40-001101	E	6	.090	.045	9,36	8,53	8,37
575-8102200840001101	810-22-008-40-001101	E	8	.090	.045	10,30	9,66	9,22
575-8102201040001101	810-22-010-40-001101	E	10	.090	.045	11,27	10,62	10,07

SERIES 829 SINGLE ROW RIGHT ANGLE SPRING-LOADED CONNECTORS

Features:

- Modular contacts for use on 2.54 grid, available in a height of 7,47, supplied in single contact strips
- Precision-machined piston / base and gold plated components assure a 1,000,000 min. cycle life
- Pistons have a 1,14 mid stroke and 2,29 max. stroke
- Low resistance, high current contacts are rated at 2 amps continuous, 3 amps peak
- High temperature thermoplastic insulators are suitable for wave and reflow soldering processes
- 829 series contact strips are designed for manual placement into Ø 0,81±0,76 plated-thru-holes in the circuit board prior to hand, wave or reflow soldering



For quantities greater than listed, call for quote.

MOUSER STOCK NO.	Mill-Max Part No.	Fig.	Contacts	Price Each		
				1	10	100
575-8292200120	829-22-001-20-001101	F	1	7,11	6,16	4,97
575-8292200220	829-22-002-20-001101	F	2	8,17	7,08	5,72
575-8292200320	829-22-003-20-001101	F	3	9,26	8,02	6,48
575-8292200420	829-22-004-20-001101	F	4	9,45	8,18	6,61
575-8292200520	829-22-005-20-001101	F	5	10,57	9,16	7,39
575-8292200620	829-22-006-20-001101	F	6	11,72	10,16	8,20
575-8292200720	829-22-007-20-001101	F	7	12,95	11,22	9,06
575-8292200820	829-22-008-20-001101	F	8	13,36	11,57	9,35
575-8292200920	829-22-009-20-001101	F	9	14,78	12,81	10,35
575-8292201020	829-22-010-20-001101	F	10	15,96	13,83	11,17

SPRING LOADED AND MATING TARGET CONNECTORS

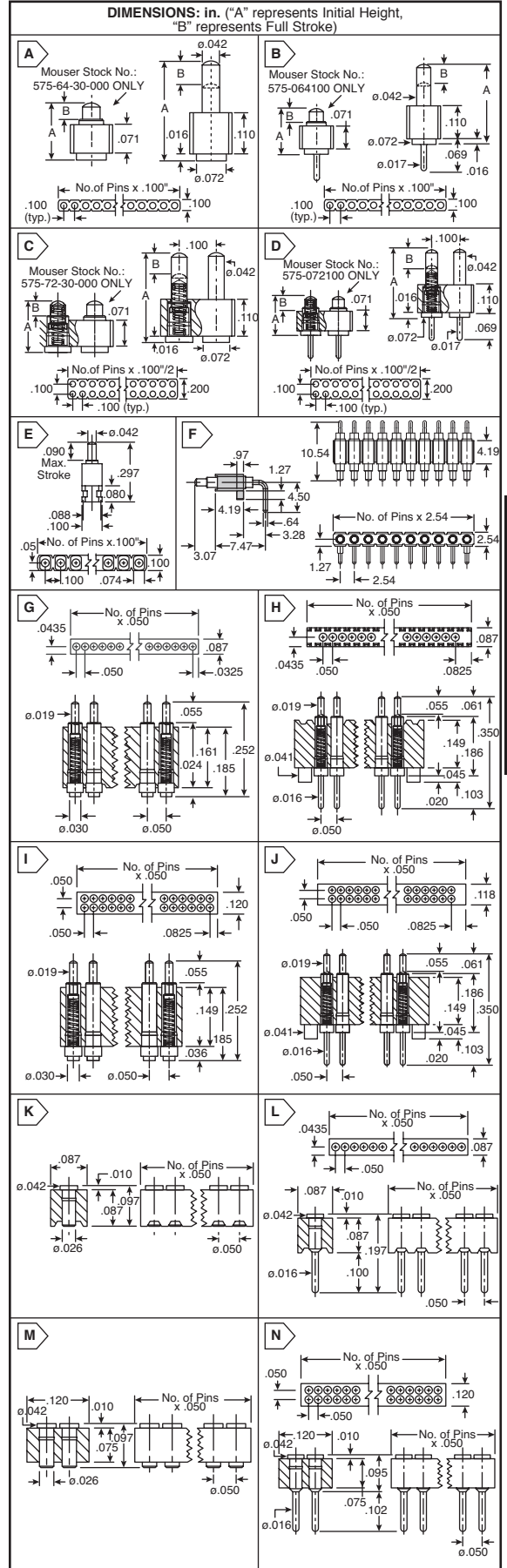
Features:

- Modular contacts for use on .050" grid, supplied in single and double row contact strips
- Precision-machined piston/base and gold plated components assure a 1,000,000 min. cycle life
- Pistons have a .0275" mid stroke & .055" max stroke
- Low resistance, high current contacts are rated at 2 amps continuous, 3 amps peak
- High temperature thermoplastic insulators are suitable for surface mount processes
- 854 & 855 series contact strips are designed for manual placement into Ø .023±.003" plated-thruholes in the circuit board



For quantities greater than listed, call for quote.

MOUSER STOCK NO.	Mill-Max Part No.	Fig.	Contacts	Termination	Price Each		
					1	10	100
Spring-Loaded Connectors							
575-854-22-020-30	854-22-020-30-001101	G	20	SMT	22,33	19,35	15,63
575-854-22-020-10	854-22-020-10-001101	H	20	Solder Tail	21,20	18,37	14,84
575-855-22-040-30	855-22-040-30-001101	I	40	SMT	39,02	33,82	27,32
575-855-22-040-10	855-22-040-10-001101	J	40	Solder Tail	36,92	32,00	25,84
Mating Target Connectors							
575-856-10-020-30	856-10-020-30-051000	K	20	SMT	5,06	4,38	3,53
575-856-10-020-10	856-10-020-10-051000	L	20	Solder Tail	5,33	4,61	3,73
575-857-10-040-30	857-10-040-30-051000	M	40	SMT	6,86	5,94	4,79
575-857-10-040-10	857-10-040-10-051000	N	40	Solder Tail	7,38	6,39	5,16



Sockets
Mill-Max

TE Terminals and Splices

RoHS Compliant This product is RoHS compliant.

ULTRA-FAST FULLY INSULATED FASTON RECEPTACLES AND TABS

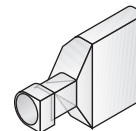
- Tin-plated brass
- Flammability rating: UL94V-0
- Nylon insulation



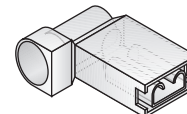
For quantities greater than listed, call for quote.

MOUSER STOCK NO.	TE Part No.	Fig.	Color	Size (In.)	Wire Size (AWG)	Price Each			
						1	100	500	1000
Fully Insulated FASTON Receptacles									
571-25200842	2-520084-2	A	Red	.110/.125 x .020	22-18	0,17	0,15	0,133	0,118
* 571-2-520182-2	2-520182-2	A	Red	.187 x .020	22-18	0,18	0,13	0,123	0,113
571-25204092	2-520409-2	A	Red	.187 x .020	22-18	0,23	0,18	0,16	0,148
571-33508162	3-350816-2	A	Blue	.187 x .020	16-14	0,19	0,18	0,175	0,167
571-2-520184-2	2-520184-2	A	Red	.250 x .032	22-18	0,25	0,21	0,195	0,179
* 571-2-520407-2	2-520407-2	A	Red	.250 x .032	22-18	0,25	0,19	0,18	0,16
571-33508202	3-350820-2	A	Blue	.250 x .032	16-14	0,18	0,16	0,144	0,128
* 571-35204082	3-520408-2	A	Blue	.250 x .032	16-14	0,27	0,21	0,189	0,168
Fully Insulated FASTON Flag Receptacles									
571-25203352	2-520335-2	B	Red	.187 x .020	22-18	0,24	0,22	0,217	0,194
571-3-520339-2	3-520339-2	B	Blue	.187 x .020	16-14	0,23	0,22	0,21	0,19
571-25201292	2-520129-2	B	Red	.250 x .032	22-18	0,32	0,25	0,234	0,203
571-35201332	3-520133-2	B	Blue	.250 x .032	16-14	0,32	0,25	0,234	0,203
Fully Insulated FASTON Tabs									
571-25201032	2-520103-2	C	Red	.250 x .032	22-18	0,25	0,19	0,177	0,163
571-35201072	3-520107-2	C	Blue	.250 x .032	16-14	0,24	0,20	0,189	0,168
571-25211032	2-521103-2	C	Red	.187 x .020	22-18	0,31	0,29	0,279	0,265

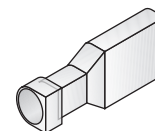
A



B



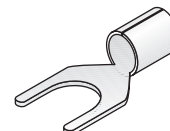
C



D



E



F



Tools for Ultra-Fast FASTON Terminals

For quantities greater than listed, call for quote.

MOUSER STOCK NO.	TE Part No.	Description	Price Each
571-58078-3	58078-3	Crimping tool frame without dies	296,27
571-903903	90390-3	22-18 awg die set	302,66
571-903913	90391-3	16-14 awg die set	302,49

SOLISTRAND, UNINSULATED TERMINALS

Designed to terminate solid and stranded wire and irregular shaped conductors while retaining performance characteristics of single purpose terminals and splices.

- Tin-plated copper
- Temperature rating: 170°C
- Meet or exceed the requirements of MIL-T-7928, Type 1, Class 1 & 2



Ring Tongue Terminals

For quantities greater than listed, call for quote.

MOUSER STOCK NO.	TE Part No.	Fig.	Stud Size	Wire Size (AWG)	Price Each			
					1	100	500	1000
Fully Insulated FASTON Receptacles								
571-34105	34105	D	#6	22-16	0,18	0,15	0,124	0,091
571-34108	34108	D	#8	22-16	0,18	0,15	0,124	0,091
571-34109	34109	D	#10	22-16	0,18	0,15	0,12	0,095
571-34113	34113	D	1/4"	22-16	0,23	0,17	0,157	0,141
571-34114	34114	D	5/16"	22-16	0,20	0,197	0,189	0,156
571-34115	34115	D	3/8"	22-16	0,28	0,211	0,211	0,211
571-34120	34120	D	#6	16-14	0,25	0,17	0,138	0,099
571-34122	34122	D	#8	16-14	0,25	0,18	0,141	0,113
571-34123	34123	D	#10	16-14	0,24	0,17	0,135	0,106
571-34124	34124	D	1/4"	16-14	0,25	0,20	0,183	0,168
571-34125	34125	D	5/16"	16-14	0,21	0,198	0,189	0,156
571-34126	34126	D	3/8"	16-14	0,21	0,198	0,183	0,168
571-35476	35476	D	#6	12-10	0,25	0,198	0,176	0,155
571-32994	32994	D	#8	12-10	0,27	0,22	0,207	0,173
571-33457	33457	D	#10	12-10	0,26	0,21	0,194	0,165
571-33458	33458	D	1/4"	12-10	0,28	0,25	0,226	0,203
571-33459	33459	D	5/16"	12-10	0,35	0,27	0,243	0,223
571-33220	33220	D	3/8"	12-10	0,35	0,27	0,243	0,223

Spade Tongue Terminals

For quantities greater than listed, call for quote.

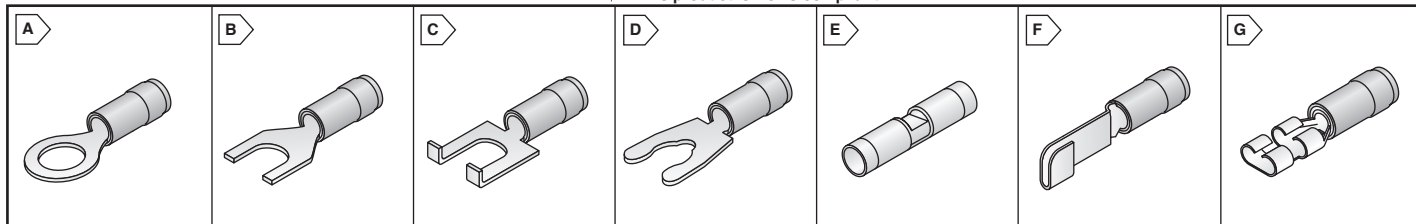
MOUSER STOCK NO.	TE Part No.	Fig.	Stud Size	Wire Size (AWG)	Price Each			
					1	100	500	1000
571-53551	53551-1	E	#2	22-16	0,38	0,286	0,282	0,195
571-323127	323127	E	#6	22-16	0,19	0,143	0,14	0,124
571-34117	34117	E	#8	22-16	0,42	0,39	0,379	0,36
571-34118	34118	E	#10	22-16	0,16	0,133	0,122	0,107
571-322451	322451	E	#6	12-10	0,42	0,385	0,312	0,233
571-32995	32995	E	#8	12-10	0,30	0,274	0,233	0,173

Butt Splices

For quantities greater than listed, call for quote.

MOUSER STOCK NO.	TE Part No.	Fig.	Stud Size	Wire Size (AWG)	Price Each			
					1	100	500	1000
571-31818	31818	F	---	22-16	0,17	0,129	0,125	0,113
571-31819	31819	F	---	16-14	0,33	0,258	0,249	0,214
571-32151	32151	F	---	12-10	0,25	0,193	0,187	0,174

RoHS Compliant This product is RoHS compliant.



PIDG NYLON (PRE-INSULATED DIAMOND GRIP) TERMINALS

Designed for complete and uniform reliability in the most difficult circuit environments. These nylon terminals feature a tin plated copper body with a special designed copper sleeve that is fitted over the terminal barrel to provide maximum circumferential insulation support to the wire.

Features:

- High dielectric strength
- Temperature rating: 105°C
- Funnel ramp entry
- Meet or exceed requirements of MIL-T-7928, Type II, Class 1 & 2
- Copper support sleeve for insulation



LR7189

* 26-22 splices are 26-24 range in accordance with MIL-T-7928.

† 22-16 splices are 22-18 range in accordance with MIL-T-7928.

For quantities greater than listed, call for quote.

MOUSER STOCK NO.	TE Part No.	Fig.	Color	Stud Size	Wire Size (AWG)	Price Each		
						1	100	500
Ring Tongue Terminals								
571-323912	323912	A	Yellow	#2	26 - 22	0,32	0,231	0,212
571-323914	323914	A	Yellow	#4	26 - 22	0,26	0,225	0,208
571-323915	323915	A	Yellow	#6	26 - 22	0,24	0,195	0,174
571-323916	323916	A	Yellow	#8	26 - 22	0,39	0,332	0,306
571-324075	324075	A	Yellow	#10	26 - 22	0,42	0,39	0,356
571-328657	328657	A	Red	#2	22 - 16	0,35	0,302	0,281
571-31880	31880	A	Red	#4	22 - 16	0,24	0,205	0,184
571-36152	36152	A	Red	#6	22 - 16	0,16	0,142	0,126
571-31890	31890	A	Red	#8	22 - 16	0,20	0,187	0,146
571-36154	36154	A	Red	#10	22 - 16	0,16	0,134	0,134
571-31894	31894	A	Red	1/4"	22 - 16	0,29	0,244	0,238
571-31895	31895	A	Red	5/16"	22 - 16	0,53	0,417	0,377
571-31897	31897	A	Red	3/8"	22 - 16	0,56	0,507	0,443
571-320619	320619	A	Blue	#6	16 - 14	0,18	0,147	0,145
571-320565	320565	A	Blue	#8	16 - 14	0,17	0,135	0,117
571-36160	36160	A	Blue	#10	16 - 14	0,19	0,147	0,126
571-321045	321045	A	Blue	1/4"	16 - 14	0,27	0,224	0,195
571-328998	328998	A	Blue	5/16"	16 - 14	0,39	0,332	0,294
571-328999	328999	A	Blue	3/8"	16 - 14	0,33	0,283	0,26
571-35149	35149	A	Yellow	#6	12 - 10	0,33	0,288	0,273
571-35108	35108	A	Yellow	#8	12 - 10	0,25	0,224	0,224
571-35109	35109	A	Yellow	#10	12 - 10	0,29	0,251	0,239
571-35110	35110	A	Yellow	1/4"	12 - 10	0,46	0,352	0,325
571-35111	35111	A	Yellow	5/16"	12 - 10	0,46	0,318	0,297
571-35112	35112	A	Yellow	3/8"	12 - 10	0,49	0,397	0,366
571-35151	35151	A	Yellow	1/2"	12 - 10	0,49	0,441	0,43
Spade Tongue Terminals								
571-328394	328394	B	Red	#2	22 - 16	0,35	0,302	0,28
571-327717	327717	B	Red	#4	22 - 16	0,25	0,23	0,22
571-34541	34541	B	Red	#6	22 - 16	0,19	0,154	0,152
571-32053	32053	B	Red	#8	22 - 16	0,36	0,309	0,28
571-32054	32054	B	Red	#10	22 - 16	0,35	0,302	0,281
571-35559	35559	B	Blue	#6	16 - 14	0,27	0,231	0,213
571-32059	32059	B	Blue	#8	16 - 14	0,47	0,40	0,343
571-321233	321233	B	Blue	#8	16 - 14	0,25	0,23	0,225
571-32060	32060	B	Blue	#10	16 - 14	0,52	0,42	0,378
571-32589	32589	B	Yellow	#10	12 - 10	0,79	0,63	0,57
Flanged Spade Tongue Terminals								
571-324608	324608	C	Red	#2	22 - 16	0,42	0,399	0,372
571-32562	32562	C	Red	#6	22 - 16	0,33	0,253	0,248
571-320861	320861	C	Blue	#6	16 - 14	0,26	0,225	0,206
571-320862	320862	C	Blue	#8	16 - 14	0,35	0,302	0,277
571-320510	320510	C	Yellow	#6	12 - 10	0,86	0,726	0,687
Short Spring Spade Tongue Terminals								
571-52927	52927	D	Red	#4	22 - 16	0,42	0,36	0,339
571-52929	52929	D	Red	#6	22 - 16	0,28	0,231	0,222
571-52930	52930	D	Red	#8	22 - 16	0,39	0,322	0,308
571-52931	52931	D	Red	#10	22 - 16	0,58	0,511	0,476
571-52935	52935	D	Blue	#6	16 - 14	0,29	0,242	0,233
571-52936	52936	D	Blue	#8	16 - 14	0,27	0,241	0,233
571-52937	52937	D	Blue	#10	16 - 14	0,29	0,245	0,217
571-52941	52941	D	Yellow	#6	12 - 10	0,42	0,349	0,336
571-52942	52942	D	Yellow	#8	12 - 10	0,37	0,328	0,303
571-52943	52943	D	Yellow	#10	12 - 10	0,42	0,359	0,336
Butt Splices								
571-323994	323994	E	Yellow	---	26 - 22	1,02	0,855	0,682
571-320559	320559	E	Red	---	22 - 16	0,61	0,515	0,454
571-320562	320562	E	Blue	---	16 - 14	0,61	0,516	0,454
571-320570	320570	E	Yellow	---	12 - 10	1,02	0,91	0,828
Knife Disconnect Splices								
571-32446	32446	F	Red	---	22 - 16	0,49	0,429	0,372
571-32448	32448	F	Blue	---	16 - 14	0,49	0,489	0,489

PIDG FASTON RECEPTACLES

Features:

- Tin-plated brass
- No dimple with wire stop



E66717 LR7189

For quantities greater than listed, call for quote.

MOUSER STOCK NO.	TE Part No.	Fig.	Color	Size(in.)	Wire Size (AWG)	Price Each		
						1	100	500
571-6409231	640923-1	G	Red	.110" x .020"	22 - 18	0,59	0,49	0,44
571-6409291	640929-1	G	Blue	.110" x .020"	16 - 14	0,59	0,49	0,44
571-428441	42844-1	G	Green	.250" x .032"	14 - 12	0,42	0,359	0,341
571-6409171	640917-1	G	Red	.187" x .020"	22 - 18	0,42	0,37	0,334
* 571-6409111	640911-1	G	Red	.205" x .032"	22 - 18	0,59	0,49	0,44
* 571-6409151	640915-1	G	Blue	.205" x .032"	16 - 14	0,59	0,49	0,44
* 571-608941	60894-1	G	Natural	.110" x .032"	22 - 18	0,30	0,267	0,24
571-6409191	640919-1	G	Blue	.187" x .020"	16 - 14	0,59	0,49	0,44
* 571-6409091	640909-1	G	Red	.205" x .020"	22 - 18	0,59	0,49	0,44
571-6409031	640903-1	G	Red	.250" x .032"	22 - 18	0,42	0,37	0,334
571-6409051	640905-1	G	Blue	.250" x .032"	16 - 14	0,65	0,50	0,455
571-6409071	640907-1	G	Yellow	.250" x .032"	12 - 10	0,75	0,68	0,614

*Dimple with wire stop

PLASTI-GRIP VINYL PRE-INSULATED TERMINALS

22-16 terminals and splices are stamped 22-18 in accordance with MIL-T-7928 commercial wire, range is 22-16.

Features:

- Tin-plated copper
- Vinyl insulation
- Temperature rating: 90°C



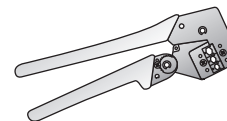
LR7189

For quantities greater than listed, call for quote.

MOUSER STOCK NO.	TE Part No.	Fig.	Color	Stud Size	Wire Size (AWG)	Price Each		
						1	100	500
Ring Tongue Terminals								
571-34141	34141	A	Red	#4	22 - 16	0,24	0,17	0,15
571-34142	34142	A	Red	#6	22 - 16	0,21	0,16	0,145
571-34148	34148	A	Red	#8	22 - 16	0,21	0,16	0,14
571-34149	34149	A	Red	#10	22 - 16	0,21	0,16	0,15
571-34151	34151	A	Red	5/16"	22 - 16	0,24	0,19	0,175
571-34160	34160	A	Blue	#8	16 - 14	0,24	0,16	0,15
571-34161	34161	A	Blue	#10	16 - 14	0,21	0,16	0,15
571-34163	34163	A	Blue	5/16"	16 - 14	0,28	0,23	0,207
571-34853	34853	A	Yellow	#8	12 - 10	0,24	0,19	0,174
571-34854	34854	A	Yellow	#10	12 - 10	0,30	0,268	0,238
571-34173	34173	A	Yellow	3/8"	12 - 10	0,26	0,24	0,237
Spade Tongue Terminals								
571-320665	320665	B	Red	#6	22 - 16	0,23	0,20	0,179
571-34156	34156	B	Red	#10	22 - 16	0,19	0,15	0,136
571-322994	322994	B	Blue	#6	16 - 14	0,26	0,225	0,211
571-34166	34166	B	Blue	#8	16 - 14	0,22	0,15	0,14
571-34176	34176	B	Yellow	#10	12 - 10	0,28	0,23	0,214
Flanged Spade Tongue Terminals								
571-322249	322249	C	Red	#6	22 - 16	0,30	0,247	0,222
571-328516	328516	C	Red	#10	22 - 16	0,66	0,589	0,528
571-324165	324165	C	Blue	#6	16 - 14	0,29	0,246	0,221
Short Spring Spade Tongue Terminal								
571-52949	52949	D	Red	#6	22 - 16	0,20	0,196	0,196
Butt Splices								
571-34070	34070	E	Red	---	22 - 16	0,24	0,18	0,162
571-34071	34071	E	Blue	---	16 - 14	0,18	0,17	0,158
571-34072	34072	E	Yellow	---	12 - 10	0,46	0,40	0,365

CRIMP TOOL FOR SOLDERLESS TERMINALS

Heavy duty or small task tool designed with crimper, cutter, and stripper all in one.



For quantities greater than listed, call for quote.

MOUSER STOCK NO.	TE Part No.	Description	Price Each
571-3549401	354940-1	Procrimper III without dies	65,80
571-584231	58423-1	Die set for Procrimper III	79,44

TE Terminals, Splices and Wire Caps

RoHS Compliant This product is RoHS compliant.

SOLISTRAND UNINSULATED TERMINALS

Short Spring Spade Tongue Terminals

For quantities greater than listed, call for quote.

MOUSER STOCK NO.	TE Part No.	Fig.	Stud Size	Wire Size (AWG)	Dimensions L x W	Price Each			
						1	100	500	1000
571-531751	53175-1	A	4	22-16	.576 x .203	0,16	0,15	0,144	0,137
571-531201	53120-1	A	6	22-16	.576 x .250	0,31	0,276	0,246	0,186
571-531231	53123-1	A	6	16-14	.576 x .250	0,23	0,198	0,198	0,198
571-531261	53126-1	A	6	12-10	.636 x .250	0,37	0,341	0,30	0,214

DIAMOND GRIP UNINSULATED TERMINALS

Ring Tongue Terminals

For quantities greater than listed, call for quote.

MOUSER STOCK NO.	TE Part No.	Fig.	Stud Size	Wire Size (AWG)	Dimensions L x W	Price Each			
						1	100	500	1000
571-31518	31518	B	2	26-22	.464 x .140	0,41	0,353	0,291	0,26
571-31094	31094	B	4	22-16	.603 x .218	0,43	0,375	0,354	0,302
571-30996	30996	B	8	22-16	.775 x .312	0,42	0,354	0,292	0,261
571-30927	30927	B	8	16-14	.790 x .343	0,42	0,354	0,292	0,261

RING TONGUE RADIATION RESISTANT TERMINALS

For quantities greater than listed, call for quote.

MOUSER STOCK NO.	TE Part No.	Fig.	Color	Stud Size	Wire Size (AWG)	Price Each			
						1	100	500	1000
571-696422-3	696422-3	C	Red	6	22-16	0,53	0,491	0,461	0,40
571-696422-5	696422-5	C	Red	8	22-16	0,55	0,495	0,475	0,422
571-696422-6	696422-6	C	Red	10	22-16	0,60	0,556	0,522	0,453

PIDG RING TONGUE INSULATION RESTRICTING TERMINALS

For quantities greater than listed, call for quote.

MOUSER STOCK NO.	TE Part No.	Fig.	Color	Stud Size	Wire Size (AWG)	Price Each			
						1	100	500	1000
571-13205513	1-320551-3	D	Red/Red	8	22-16	0,32	0,31	0,30	0,295
571-13205514	1-320551-4	D	Red/White	8	22-16	0,35	0,33	0,319	0,303
571-2361535	2-36153-4	D	Red/White	10	22-16	0,59	0,519	0,519	0,519
571-518649	51864-9	D	Blue/Green	10	16-14	0,58	0,458	0,405	0,34
571-23205634	2-320563-4	D	Blue/Green	1/4	14	0,49	0,46	0,44	0,42
571-2361614	2-36161-4	D	Yellow/Brown	10	10	1,05	0,92	0,788	0,587

PIDG OFFSET AND SLOTTED RING TONGUE TERMINALS

For quantities greater than listed, call for quote.

MOUSER STOCK NO.	TE Part No.	Fig.	Color	Stud Size	Wire Size (AWG)	Price Each			
						1	100	500	1000
571-323011	323011	E	Yellow	6	26-22	0,27	0,25	0,24	0,231
571-36954	36954	E	Red	8	22-16	0,42	0,297	0,296	0,284

PIDG SPARE WIRE CAPS

* Not sealed

For quantities greater than listed, call for quote.

MOUSER STOCK NO.	TE Part No.	Fig.	Cap Insulation Color	Wire Size (AWG)	Price Each			
					1	100	500	1000
Unstripped Wire								
571-324484	324485	F	Red	---	0,26	0,234	0,222	0,209
Stripped Wire								
571-328307	328307	G	Red	22-18	0,30	0,28	0,27	0,257

CLOSED END SPLICES

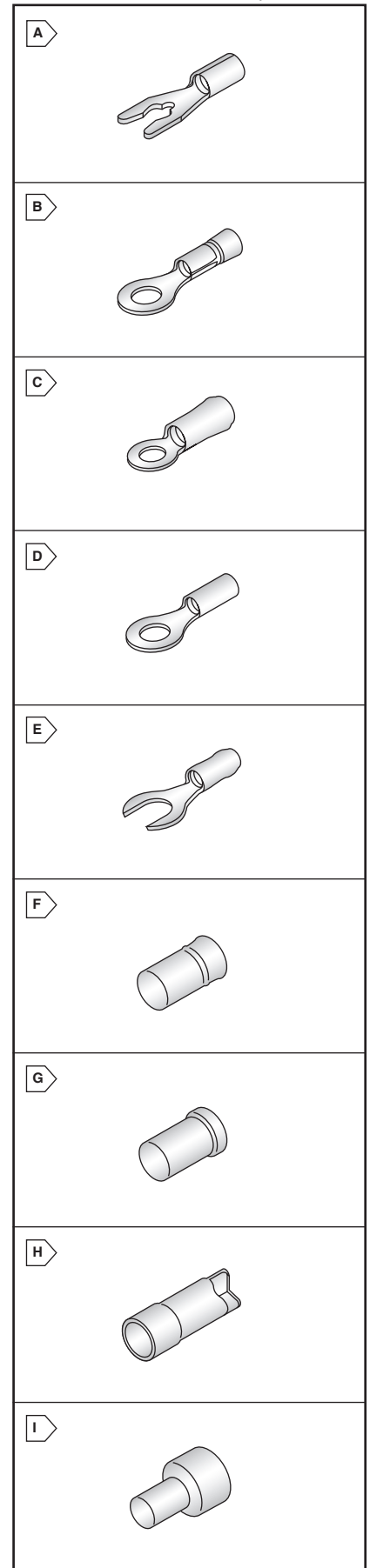
Splice Marking

- VS 300V, 90°C
- ECV 600V max. Building wiring 1000V max.
- Fixtures and signs, 105°C UL, 90°C CSA
- ECN 300V 105°C
- EC 600V max. Building wiring 1000V max; Fixtures and signs, 105°C

* Max. recommended operating temperature, 150°C

For quantities greater than listed, call for quote.

MOUSER STOCK NO.	TE Part No.	Fig.	Material	Color	Length	Wire Size (AWG)	Splice Marking	Price Each			
								1	100	500	1000
Vinyl BOMB-TAIL Splices											
571-34306	34306	H	Copper	Blue	0.750	22-16	VS	0,35	0,302	0,267	0,216
571-34864	34864	H	Copper	Blue	0.800	22-16	VS	0,36	0,312	0,293	0,221
571-23283753	2-328375-3	H	Copper	Purple	0.775	22-14	VS	0,18	0,166	0,152	0,112
571-532341	53234-1	H	Copper	Transparent	1.500	22-12	ECV	0,24	0,199	0,18	0,115
Nylon Molded Splices											
571-35115	35115	I	Copper	Transparent	0.680	22-14	ECN	0,25	0,18	0,169	0,145
* 571-559271	55927-1	I	Copper	Black	0.680	22-14	ECN	0,44	0,406	0,359	0,313
571-35653	35653	I	Copper	Transparent	0.775	22-10	ECN	0,14	0,115	0,114	0,107
* 571-559291	55929-1	I	Copper	Black	0.970	22-10	EC	0,28	0,177	0,158	0,14
571-328730	328730	I	Copper	Transparent	0.720	22-10	EC	0,27	0,191	0,177	0,152



Terminals
TE Connectivity

KEYSTONE PTFE Insulated Terminals & Pins

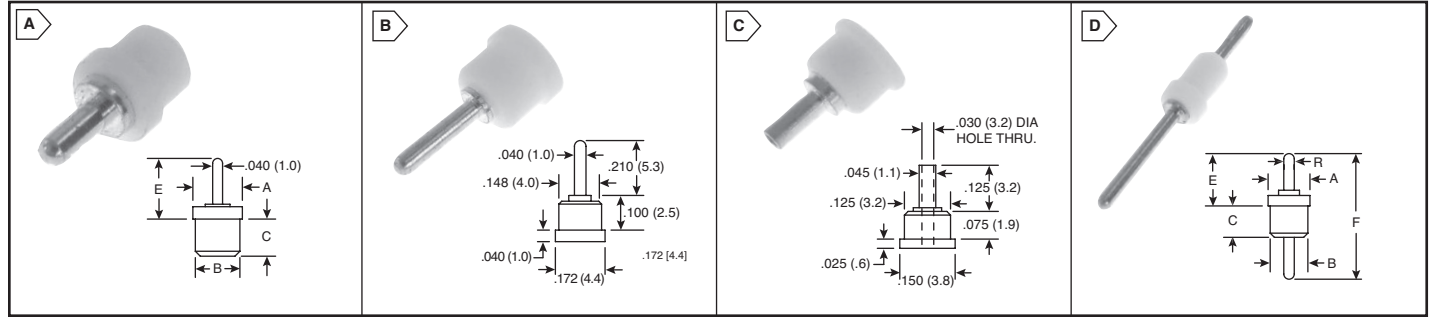
RoHS Compliant This product is RoHS compliant.



Features:

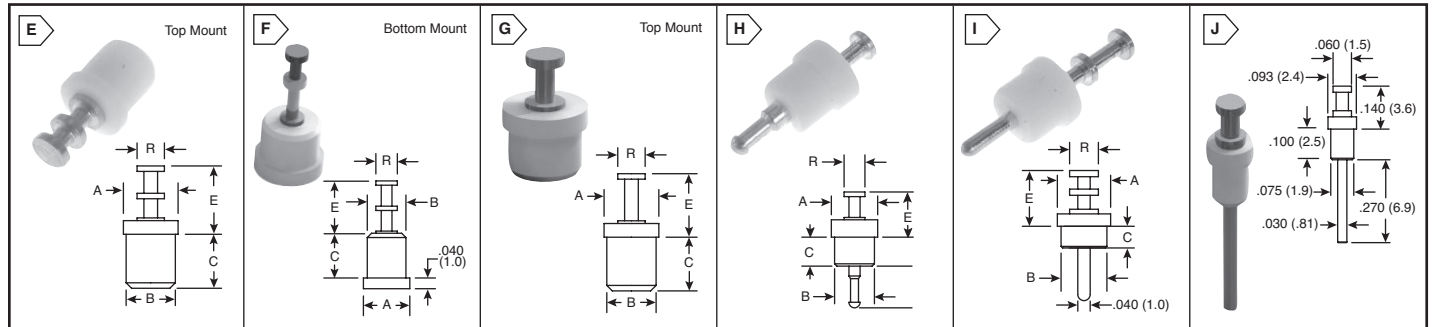
- Outstanding Electrical, Mechanical, Thermal and Chemical properties.
- Provides greater pull-out strength and high torque resistance
- Ideal for high quality terminal and connector applications
- Custom PTFE jacks manufactured to your specifications
- Other platings and bushing colors available upon request
- Space saving design for high density packaging

Bushing: White PTFE RoHS
Terminal: Brass, Tin Plate



PINS

MOUSER STOCK NO.	Keystone Part No.	Fig.	Dimensions: in. (mm)							Mtq. Hole Dia.	Price Each					
			A	B	C	E	F	R	1		100	500	1000			
Top Mount																
534-11065	11065	A	.125 (3.2)	.104 (2.6)	.089 (2.3)	.161 (4.1)	--	--	.091 (2.3)	0.88	0.827	0.799	0.758			
534-11066	11066	A	.125 (3.2)	.093 (2.4)	.100 (2.5)	.925 (23.5)	--	--	.086 (2.2)	0.82	0.788	0.748	0.718			
534-11067	11067	A	.172 (4.4)	.148 (3.8)	.100 (2.5)	.150 (3.8)	--	--	.136 (3.5)	0.82	0.788	0.748	0.718			
534-11068	11068	A	.172 (4.4)	.148 (3.8)	.075 (1.9)	.185 (4.7)	--	--	.136 (3.5)	0.66	0.628	0.596	0.577			
534-11069	11069	A	.172 (4.4)	.148 (3.8)	.050 (1.3)	.260 (6.6)	--	--	.136 (3.5)	0.71	0.672	0.637	0.617			
534-11070	11070	A	.172 (4.4)	.148 (3.8)	.075 (1.9)	.260 (6.6)	--	--	.136 (3.5)	0.82	0.788	0.748	0.718			
534-11071	11071	A	.172 (4.4)	.148 (3.8)	.100 (2.5)	.250 (6.4)	--	--	.136 (3.5)	0.58	0.554	0.515	0.495			
534-11072	11072	A	.172 (4.4)	.148 (3.8)	.160 (4.1)	.250 (6.4)	--	--	.136 (3.5)	0.71	0.672	0.637	0.617			
534-11073	11073	A	.172 (4.4)	.148 (3.8)	.100 (2.5)	.490 (12.4)	--	--	.136 (3.5)	0.59	0.564	0.536	0.506			
534-11074	11074	A	.172 (4.4)	.148 (3.8)	.100 (2.5)	.585 (14.9)	--	--	.136 (3.5)	0.82	0.788	0.748	0.718			
Pin - Bottom Mount																
534-11075	11075	B	.148 (4.0)	.172 (4.4)	.100 (2.5)	.210 (5.3)	--	--	.136 (3.5)	0.88	0.836	0.799	0.758			
Hollow Pin - Bottom Mount																
534-11076	11076	C	.125 (3.2)	.150 (3.8)	.075 (1.9)	.125 (3.2)	--	--	.113 (2.9)	0.94	0.895	0.849	0.808			
Pin-To-Pin Feed-Thru																
534-11150	11150	D	.093 (2.4)	.075 (1.9)	.100 (2.5)	.315 (8.0)	.550 (13.9)	.030 (7.6)	.069 (1.8)	0.88	0.837	0.794	0.756			
534-11151	11151	D	.125 (3.2)	.093 (2.4)	.100 (2.5)	.196 (5.0)	.453 (11.5)	.040 (1.0)	.086 (2.2)	1.08	1.03	0.965	0.928			
534-11152	11152	D	.125 (3.2)	.093 (2.4)	.100 (2.5)	.250 (6.4)	.515 (13.1)	.040 (1.0)	.086 (2.2)	0.60	0.574	0.546	0.516			
534-11153	11153	D	.125 (3.2)	.093 (2.4)	.100 (2.5)	.250 (6.4)	.443 (11.3)	.040 (1.0)	.086 (2.2)	1.02	0.946	0.901	0.87			
534-11154	11154	D	.150 (3.8)	.125 (3.2)	.100 (2.5)	.250 (6.4)	.443 (11.3)	.040 (1.0)	.113 (2.9)	1.08	1.03	0.965	0.928			
534-11155	11155	D	.172 (4.4)	.148 (3.8)	.100 (2.5)	.250 (6.4)	.515 (13.1)	.040 (1.0)	.136 (3.5)	0.73	0.673	0.652	0.614			
534-11156	11156	D	.172 (4.4)	.148 (3.8)	.110 (2.8)	.260 (6.6)	.535 (13.6)	.040 (1.0)	.136 (3.5)	1.08	1.03	0.965	0.928			
534-11157	11157	D	.172 (4.4)	.148 (3.8)	.250 (6.4)	.303 (7.7)	.719 (18.3)	.040 (1.0)	.136 (3.5)	0.88	0.836	0.799	0.758			
534-11158	11158	D	.172 (4.4)	.148 (3.8)	.160 (4.1)	.250 (6.4)	.725 (18.4)	.040 (1.0)	.136 (3.5)	0.88	0.837	0.804	0.766			
534-11159	11159	D	.172 (4.4)	.148 (3.8)	.170 (4.3)	.250 (6.4)	.630 (16.0)	.040 (1.0)	.136 (3.5)	0.77	0.72	0.698	0.657			
534-11160	11160	D	.172 (4.4)	.148 (3.8)	.170 (4.3)	.250 (6.4)	.630 (16.0)	.040 (1.0)	.136 (3.5)	0.82	0.788	0.748	0.718			



SOLDER TERMINALS

*Hollow turret For quantities greater than listed, call for quote.

MOUSER STOCK NO.	Keystone Part No.	Fig.	Dimensions: in. (mm)					Mtq. Hole Dia.	Price Each			
			A	B	C	E	R		1	100	500	1000
Turret												
534-11300	11300	E	.125 (3.2)	.039 (2.40)	.100 (2.5)	.210 (5.3)	.060 (1.5)	.086 (2.2)	1.02	0.946	0.901	0.87
534-11301	11301	E	.125 (3.2)	.093 (2.4)	.080 (2.0)	.250 (6.4)	.080 (2.0)	.086 (2.2)	0.70	0.655	0.624	0.596
534-11302	11302	E	.125 (3.2)	.093 (2.4)	.100 (2.5)	.250 (6.4)	.080 (2.0)	.086 (2.2)	0.96	0.892	0.851	0.814
534-11303	11303	E	.172 (4.4)	.148 (3.8)	.140 (3.6)	.194 (4.9)	.093 (2.4)	.136 (3.5)	1.02	0.946	0.901	0.87
534-11304	11304	E	.172 (4.4)	.148 (3.8)	.110 (2.8)	.250 (6.4)	.080 (2.0)	.136 (3.5)	0.76	0.692	0.652	0.605
534-11305	11305	E	.172 (4.4)	.148 (3.8)	.125 (3.2)	.303 (7.7)	.080 (2.0)	.136 (3.5)	1.02	0.946	0.901	0.87
534-11306	11306	E	.172 (4.4)	.148 (3.8)	.165 (4.2)	.290 (7.4)	.093 (2.4)	.136 (3.5)	1.16	0.883	0.857	0.814
534-11307	11307	E	.172 (4.4)	.148 (3.8)	.250 (6.4)	.290 (7.4)	.093 (2.4)	.136 (3.5)	0.96	0.892	0.851	0.814
534-11308	11308	E	.172 (4.4)	.148 (3.8)	.165 (4.2)	.437 (11.1)	.093 (2.4)	.136 (3.5)	1.02	0.946	0.901	0.87
534-11310	11310	F	.125 (3.2)	.093 (2.4)	.100 (2.5)	.170 (4.3)	.060 (1.5)	.086 (2.2)	1.02	0.946	0.901	0.87
534-11311	11311	F	.172 (4.4)	.148 (3.8)	.100 (2.5)	.210 (5.3)	.080 (2.0)	.136 (3.5)	1.02	0.946	0.901	0.87
534-11312	11312	F	.187 (4.8)	.171 (4.3)	.155 (3.9)	.210 (5.3)	.080 (2.0)	.158 (4.0)	0.96	0.892	0.851	0.814
534-11320	11320	G	.172 (4.4)	.148 (3.8)	.100 (2.5)	.150 (3.8)	.080 (2.0)	.136 (3.5)	0.96	0.892	0.851	0.814
534-11321	11321	G	.187 (4.8)	.165 (4.2)	.150 (3.8)	.370 (9.4)	.090 (2.3)	.152 (3.9)	1.02	0.946	0.901	0.87
* 534-11322	11322	G	.150 (3.8)	.125 (3.2)	.110 (2.8)	.180 (4.6)	.090 (2.3)	.113 (2.9)	0.66	0.628	0.596	0.577
Turret-To-Turret Feed-thru												
534-11250	11250	H	.312 (7.9)	.171 (4.3)	.171 (4.3)	.196 (5.0)	.093 (2.4)	.158 (4.0)	1.21	1.16	1.09	1.04
534-11251	11251	H	.200 (5.1)	.172 (4.4)	.125 (3.2)	.195 (5.0)	.090 (2.3)	.158 (4.0)	0.66	0.632	0.607	0.576
Turret-To-Pin Feed-thru												
534-11216	11216	I	.172 (4.4)	.148 (3.8)	.100 (2.5)	.250 (6.4)	.080 (2.0)	.136 (3.5)	0.91	0.737	0.519	0.473
534-11217	11217	I	.172 (4.4)	.148 (3.8)	.230 (5.8)	.375 (9.5)	.093 (2.4)	.066 (1.7)	0.96	0.892	0.851	0.814
534-11218	11218	J	.093 (2.4)	.075 (1.9)	.100 (2.5)	.140 (3.6)	.060 (1.5)	.066 (1.7)	1.21	1.16	1.09	1.04

KEYSTONE PTFE Insulated Terminals, Pins & Test Points



This product is RoHS compliant.

Features:

- Outstanding Electrical, Mechanical, Thermal and Chemical properties.
- Provides greater pull-out strength and high torque resistance
- Ideal for high quality terminal and connector applications
- Custom PTFE jacks manufactured to your specifications
- Other platings and bushing colors available upon request
- Space saving design for high density packaging

SPLIT-TYPE FORK TURRETS

Bushing: White PTFE RoHS
Terminal: Brass, Tin Plate



For quantities greater than listed, call for quote.

MOUSER STOCK NO.	Keystone Part No.	Fig.	Dimensions: in. (mm)						Price Each			
			A	B	C	E	R	Mtg. Hole Dia.	1	100	500	1000
534-11100	11100	A	.172 (4.4)	.148 (3.8)	.125 (3.2)	.250 (6.4)	.125 (3.2)	.136 (3.5)	0,82	0,788	0,748	0,718
534-11111	11111	A	.187 (4.8)	.171 (4.3)	.150 (3.8)	.390 (9.9)	.148 (3.8)	.158 (4.0)	1,08	1,03	0,965	0,937
534-11112	11112	A	.187 (4.8)	.171 (4.3)	.150 (3.8)	.453 (11.5)	.148 (3.8)	.158 (4.0)	1,14	1,08	1,04	0,983
534-11113	11113	A	.187 (4.8)	.171 (4.3)	.150 (3.8)	.328 (8.3)	.148 (3.8)	.158 (4.0)	1,08	1,03	0,965	0,937
534-11114	11114	A	.187 (4.8)	.171 (4.3)	.150 (3.8)	.390 (9.9)	.148 (3.8)	.158 (4.0)	2,01	1,27	0,885	0,769
534-11115	11115	A	.187 (4.8)	.171 (4.3)	.150 (3.8)	.453 (11.5)	.148 (3.8)	.158 (4.0)	1,21	1,16	1,10	1,05
534-11116	11116	B	.187 (4.8)	.171 (4.3)	.212 (5.4)	.390 (9.9)	.148 (3.8)	.158 (4.0)	1,21	1,16	1,10	1,05

THREADED TURRET TERMINALS

Bushing: White PTFE RoHS
Terminal: Brass, Tin Plate



For quantities greater than listed, call for quote.

MOUSER STOCK NO.	Keystone Part No.	Fig.	Thread	Dimensions: in. (mm)					Price Each			
				Hex	C	E	L	R	1	100	500	1000
534-11350	11350	C	2-56	.156 (3.9)	.206 (5.2)	.360 (9.1)	.125 (3.2)	.062 (1.6)	1,55	1,46	1,38	1,32
534-11351	11351	C	4-40	.270 (6.9)	.270 (6.9)	.510 (12.9)	.250 (6.4)	.094 (2.4)	2,68	2,01	1,82	1,72
534-11352	11352	C	6-32	.250 (6.4)	.270 (6.9)	.510 (12.9)	.375 (9.5)	.094 (2.4)	1,88	1,77	1,70	1,61

THREADED FEED-THRU TERMINALS

Bushing: White PTFE
Terminal: Brass, Tin Plate
Body: Brass, Nickel Plate



For quantities greater than listed, call for quote.

MOUSER STOCK NO.	Keystone Part No.	Fig.	Thread	Dimensions: in. (mm)					Price Each			
				Hex	C	E	L	R	1	100	500	1000
534-11360	11360	D	4-40	.156 (4.0)	.235 (6.0)	.355 (9.0)	.200 (5.1)	.032 (0.8)	2,92	2,76	2,65	2,50
534-11361	11361	D	4-40	.156 (4.0)	.235 (6.0)	.405 (10.3)	.250 (6.4)	.032 (0.8)	3,21	3,05	2,90	2,76
534-11362	11362	D	12-28	.250 (6.4)	.287 (7.3)	.287 (7.3)	.403 (10.2)	.082 (2.1)	2,88	2,48	2,37	2,25
534-11363	11363	E	10-32	.312 (7.9)	.250 (6.4)	.425 (10.8)	.565 (14.3)	.062 (1.6)	3,25	2,98	2,61	1,85
534-11364	11364	E	6-32	.188 (4.8)	.250 (6.4)	.368 (9.3)	.510 (12.9)	.040 (1.0)	3,91	3,38	3,21	3,05

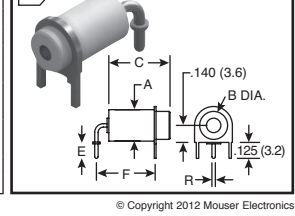
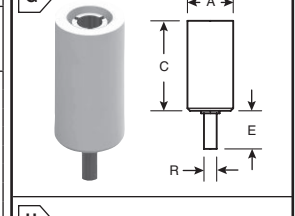
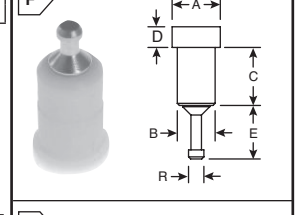
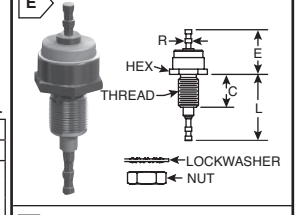
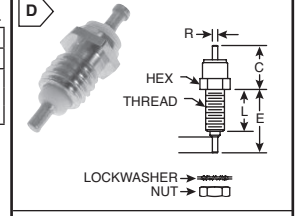
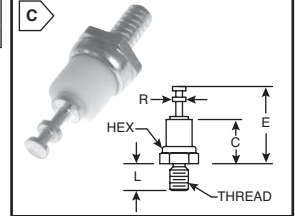
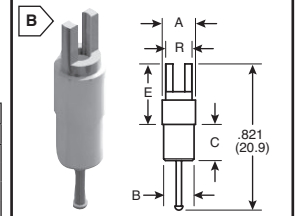
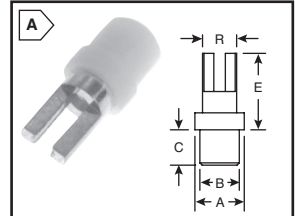
TEST POINT JACKS

Bushing: White PTFE (RoHS Compliant), Red or Black (Non-RoHS Compliant)
Terminal Jack: Beryllium Copper (QQ-C-533)
Plating: Gold per Mil-G-45204, Type II



For quantities greater than listed, call for quote.

MOUSER STOCK NO.	Keystone Part No.	Fig.	RoHS White	NON-RoHS		Dimensions: in. (mm)										Price Each			
				Red	Black	A	B	C	D	E	R	Probe Dia. ±.001 (.03)	Probe Length	1	100	500	1000		
534-11001	11001	F	yes	--	--	.142 (3.6)	.120 (3.0)	.244 (6.2)	.046 (1.2)	.120 (3.0)	.060 (1.5)	.040 (1.0)	.205 (5.2)	1,57	1,48	1,41	1,35		
534-11002	11002	F	yes	--	--	.142 (3.6)	.120 (3.0)	.283 (7.2)	.046 (1.2)	.120 (3.0)	.060 (1.5)	.040 (1.0)	.245 (6.2)	2,00	1,89	1,82	1,72		
534-11003	11003	F	yes	--	--	.172 (4.4)	.140 (3.6)	.142 (3.6)	.050 (1.3)	.060 (1.5)	.080 (2.0)	.040 (1.0)	.125 (3.2)	1,87	1,77	1,70	1,61		
534-11004	11004	F	yes	--	--	.172 (4.4)	.148 (3.8)	.179 (4.5)	.046 (1.2)	.120 (3.0)	.060 (1.5)	.040 (1.0)	.140 (3.6)	1,80	1,71	1,62	1,54		
534-11005	11005	F	yes	--	--	.218 (5.5)	.185 (4.7)	.301 (7.6)	.050 (1.3)	.105 (2.7)	.125 (3.2)	.080 (2.0)	.315 (8.0)	1,85	1,75	1,66	1,57		
534-11006	11006	F	yes	--	--	.218 (5.5)	.185 (4.7)	.271 (6.9)	.046 (1.2)	.120 (3.0)	.074 (1.9)	.080 (2.0)	.195 (4.9)	2,25	2,13	1,88	1,77		
534-11007	11007	F	yes	--	--	.218 (5.5)	.185 (4.7)	.271 (6.9)	.046 (1.2)	.120 (3.0)	.074 (1.9)	.090 (2.3)	.195 (4.9)	2,19	2,10	1,98	1,88		
534-11008	11008	F	yes	--	--	.218 (5.5)	.185 (4.7)	.301 (7.6)	.046 (1.2)	.120 (3.0)	.074 (1.9)	.080 (2.0)	.225 (5.7)	1,91	1,83	1,73	1,64		
534-11009	11009	F	yes	--	--	.218 (5.5)	.185 (4.7)	.400 (10.2)	.050 (1.3)	.187 (4.8)	.074 (1.9)	.080 (2.0)	.280 (7.1)	1,79	1,71	1,62	1,54		
534-11010	11010	F	yes	--	--	.218 (5.5)	.185 (4.7)	.271 (6.9)	.046 (1.2)	.136 (3.5)	.074 (1.9)	.080 (2.0)	.340 (8.6)	2,00	1,91	1,81	1,72		
534-11011	11011	G	yes	--	--	.218 (5.5)	--	.430 (10.9)	--	.150 (3.8)	.050 (1.3)	.080 (2.0)	.200 (5.1)	2,25	2,13	1,88	1,77		
534-11011-B	11011-B	G	yes	--	yes	.218 (5.5)	--	.430 (10.9)	--	.150 (3.8)	.050 (1.3)	.080 (2.0)	.200 (5.1)	3,59	3,41	3,24	3,07		
534-11012	11012	G	yes	--	--	.218 (5.5)	--	.500 (12.7)	--	.150 (3.8)	.050 (1.3)	.080 (2.0)	.280 (7.1)	2,06	1,96	1,86	1,76		
534-11012-B	11012-B	G	yes	--	yes	.218 (5.5)	--	.500 (12.7)	--	.150 (3.8)	.050 (1.3)	.080 (2.0)	.280 (7.1)	2,25	2,13	1,88	1,77		
534-11012-R	11012-R	G	yes	--	yes	.218 (5.5)	--	.500 (12.7)	--	.150 (3.8)	.050 (1.3)	.080 (2.0)	.280 (7.1)	2,41	2,28	2,00	1,90		
534-11013	11013	H	yes	--	--	.218 (5.5)	.187 (4.8)	.689 (17.5)	.500 (12.7)	.125 (3.2)	.050 (1.3)	.080 (2.0)	.500 (12.7)	3,59	3,41	3,24	3,07		
534-11014	11014	H	yes	--	--	.218 (5.5)	.187 (4.8)	.378 (9.6)	.400 (10.2)	.125 (3.2)	.050 (1.3)	.080 (2.0)	.250 (6.4)	2,71	2,58	2,45	2,32		
534-11015	11015	H	yes	--	--	.218 (5.5)	.187 (4.8)	.378 (9.6)	.400 (10.2)	.187 (4.7)	.035 (.89)	.080 (2.0)	.250 (6.4)	3,01	2,87	2,72	2,58		
534-11016	11016	H	yes	--	--	.218 (5.5)	.187 (4.8)	.378 (9.6)	.500 (12.7)	.125 (3.2)	.050 (1.3)	.080 (2.0)	.250 (6.4)	3,00	2,87	2,71	2,58		



MOLEX Terminals and Splices

RING TONGUE TERMINALS

• Material: Copper



RoHS Compliant

Krimptite®, Non Insulated

For quantities greater than listed, call for quote.

MOUSER STOCK NO.	Molex Part No.	Fig.	Wire Size (AWG)	Stud Size	Price Each			
					1	100	500	1000
538-19069-0042	19069-0042	A	18-22	1/4	0,22	0,143	0,138	0,114
538-19069-0049	19069-0049	A	18-22	3/8	0,14	0,135	0,127	0,114
538-19069-0107	19069-0107	A	14-16	1/4	0,11	0,104	0,095	0,087
538-19069-0109	19069-0109	A	14-16	5/16	0,08	0,079	0,075	0,068

Insulkrimp®, PVC Insulated

For quantities greater than listed, call for quote.

MOUSER STOCK NO.	Molex Part No.	Fig.	Wire Size (AWG)	Stud Size	Price Each			
					1	100	500	1000
538-19070-0040	19070-0040	B	18-22	5-6	0,19	0,143	0,13	0,107
538-19070-0013	19070-0013	B	18-22	8	0,16	0,133	0,118	0,094
538-19070-0015	19070-0015	B	18-22	10	0,16	0,133	0,118	0,094
538-19070-0023	19070-0023	B	18-22	1/4	0,27	0,204	0,19	0,151
538-19070-0067	19070-0067	B	14-16	3-4	0,19	0,143	0,13	0,104
538-19070-0069	19070-0069	B	14-16	5-6	0,19	0,143	0,13	0,104
538-19070-0086	19070-0086	B	14-16	8	0,19	0,15	0,125	0,099
538-19070-0090	19070-0090	B	14-16	10	0,19	0,15	0,125	0,099
538-19070-0075	19070-0075	B	14-16	1/4	0,26	0,173	0,128	0,119
538-19070-0059	19070-0059	B	14-16	3/8	0,32	0,256	0,207	0,169
538-19070-0143	19070-0143	B	10-12	5-6	0,37	0,286	0,246	0,199
538-19070-0123	19070-0123	B	10-12	10	0,33	0,225	0,211	0,18
538-19070-0132	19070-0132	B	10-12	1/4	0,40	0,307	0,26	0,214
538-19070-0155	19070-0155	B	10-12	5/16	0,38	0,276	0,266	0,242
538-19070-0153	19070-0153	B	10-12	3/8	0,45	0,346	0,292	0,227

Avikrimp®, Nylon Insulated

For quantities greater than listed, call for quote.

MOUSER STOCK NO.	Molex Part No.	Fig.	Wire Size (AWG)	Stud Size	Price Each			
					1	100	500	1000
538-19073-0005	19073-0005	B	18-22	1-2	0,51	0,235	0,194	0,171
538-19073-0007	19073-0007	B	18-22	3-4	0,31	0,245	0,194	0,171
538-19073-0038	19073-0038	B	18-22	5-6	0,28	0,184	0,173	0,157
538-19073-0013	19073-0013	B	18-22	8	0,30	0,256	0,224	0,18
538-19073-0017	19073-0017	B	18-22	10	0,30	0,256	0,224	0,18
538-19073-0024	19073-0024	B	18-22	1/4	0,34	0,225	0,212	0,207
538-19073-0027	19073-0027	B	18-22	5/16	0,39	0,286	0,26	0,207
538-19073-0032	19073-0032	B	18-22	3/8	0,43	0,337	0,29	0,232
538-19073-0067	19073-0067	B	14-16	5-6	0,33	0,256	0,227	0,183
538-19073-0083	19073-0083	B	14-16	5-6	0,30	0,245	0,216	0,173
538-19073-0085	19073-0085	B	14-16	8	0,32	0,207	0,192	0,176
538-19073-0087	19073-0087	B	14-16	10	0,34	0,235	0,233	0,188
538-19073-0076	19073-0076	B	14-16	1/4	0,38	0,286	0,248	0,194
538-19073-0079	19073-0079	B	14-16	5/16	0,38	0,286	0,253	0,202
538-19073-0059	19073-0059	B	14-16	3/8	0,44	0,337	0,248	0,227
538-19073-0170	19073-0170	B	10-12	10	0,55	0,419	0,368	0,292
538-19073-0236	19073-0236	B	10-12	3/8	0,64	0,511	0,422	0,346
538-19073-0145	19073-0145	B	10-12	1/2	0,81	0,644	0,542	0,433

SNAP SPADE TERMINALS

• Material: Copper



RoHS Compliant

Insulkrimp®, PVC Insulated

For quantities greater than listed, call for quote.

MOUSER STOCK NO.	Molex Part No.	Fig.	Wire Size (AWG)	Stud Size	Price Each			
					1	100	500	1000
538-19099-0009	19099-0009	C	18-22	5-6	0,24	0,194	0,167	0,133
538-19099-0013	19099-0013	C	18-22	8	0,26	0,215	0,173	0,15
538-19099-0015	19099-0015	C	18-22	10	0,27	0,215	0,181	0,144
538-19099-0034	19099-0034	C	14-16	10	0,26	0,204	0,174	0,139
538-19099-0044	19099-0044	C	10-12	5-6	0,32	0,235	0,217	0,191
538-19099-0048	19099-0048	C	10-12	8	0,22	0,194	0,179	0,166

SPADE TONGUE TERMINALS

• Material: Copper

Insulkrimp®, PVC Insulated

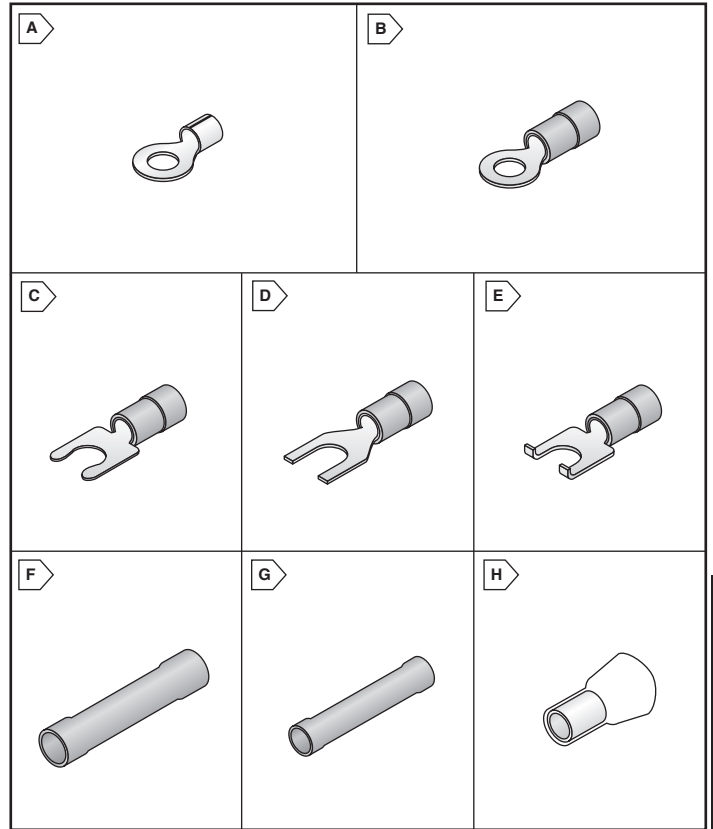
For quantities greater than listed, call for quote.

MOUSER STOCK NO.	Molex Part No.	Fig.	Wire Size (AWG)	Stud Size	Price Each			
					1	100	500	1000
538-19144-0001	19144-0001	D	18-22	5-6	0,23	0,177	0,153	0,123
538-19144-0003	19144-0003	D	18-22	8	0,24	0,194	0,168	0,134
538-19144-0005	19144-0005	D	18-22	10	0,24	0,194	0,168	0,134
538-19144-0018	19144-0018	D	14-16	5-6	0,20	0,153	0,142	0,115
538-19144-0020	19144-0020	D	14-16	8	0,23	0,164	0,153	0,123
538-19144-0026	19144-0026	D	14-16	10	0,23	0,194	0,161	0,133
538-19144-0037	19144-0037	D	10-12	5-6	0,35	0,266	0,241	0,192
538-19144-0039	19144-0039	D	10-12	8	0,35	0,276	0,241	0,192

Avikrimp®, Nylon Insulated

For quantities greater than listed, call for quote.

MOUSER STOCK NO.	Molex Part No.	Fig.	Wire Size (AWG)	Stud Size	Price Each			
					1	100	500	1000
538-19198-0070	19198-0070	D	18-22	5-6	0,32	0,235	0,229	0,184
538-19198-0004	19198-0004	D	18-22	8	0,26	0,164	0,157	0,144
538-19198-0006	19198-0006	D	18-22	10	0,26	0,164	0,157	0,144
538-19198-0016	19198-0016	D	14-16	5-6	0,32	0,256	0,219	0,175
538-19198-0025	19198-0025	D	14-16	10	0,27	0,164	0,162	0,151
538-19198-0044	19198-0044	D	10-12	5-6	0,57	0,429	0,386	0,309
538-19198-0047	19198-0047	D	10-12	8	0,56	0,45	0,376	0,309



FLANGED SPADE TERMINALS

Insulkrimp®, PVC Insulated

For quantities greater than listed, call for quote.

MOUSER STOCK NO.	Molex Part No.	Fig.	Wire Size (AWG)	Stud Size	Price Each			
					1	100	500	1000
538-19121-0005	19121-0005	E	22-18	5-6	0,20	0,161	0,14	0,118
538-19121-0007	19121-0007	E	22-18	8	0,24	0,194	0,169	0,142
538-19121-0009	19121-0009	E	22-18	10	0,23	0,194	0,168	0,134
538-19121-0028	19121-0028	E	16-14	8	0,26	0,194	0,155	0,13
538-19121-0030	19121-0030	E	14-16	10	0,26	0,204	0,169	0,13
538-19121-0053	19121-0053	E	10-12	8	0,35	0,286	0,26	0,202
538-19121-0056	19121-0056	E	10-12	10	0,39	0,296	0,271	0,266

Avikrimp®, Nylon Insulated

For quantities greater than listed, call for quote.

MOUSER STOCK NO.	Molex Part No.	Fig.	Wire Size (AWG)	Stud Size	Price Each			
					1	100	500	1000
538-19127-0007	19127-0007	E	22-18	5-6	0,39	0,296	0,26	0,216
538-19127-0012	19127-0012	E	22-18	10	0,41	0,296	0,275	0,221
538-19127-0042	19127-0042	E	16-14	8	0,39	0,307	0,265	0,212
538-19127-0086	19127-0086	E	10-12	8	0,52	0,419	0,359	0,287
538-19127-0089	19127-0089	E	10-12	10	0,52	0,419	0,357	0,281

SPLICES

Step Down Butt Splices, Insulated

For quantities greater than listed, call for quote.

MOUSER STOCK NO.	Molex Part No.	Fig.	Wire Size (AWG)	Color	Price Each			
					1	100	500	1000
538-19154-0022	19154-0022	F	14/16-18/22	Blue w/red stripe	0,88	0,695	0,592	0,474
538-19154-0035	19154-0035	F	10/12-14/16	Yel. w/blue stripe	1,04	0,838	0,706	0,564

Butt Splices - Insulkrimp®, PVC Insulated

For quantities greater than listed, call for quote.

MOUSER STOCK NO.	Molex Part No.	Fig.	Wire Size (AWG)	Color	Price Each			
					1	100	500	1000
538-19154-0004	19154-0004	G	18-22	---	0,20	0,14	0,138	0,106
538-19154-0015	19154-0015	G	14-16	---	0,20	0,153	0,142	0,114
538-19154-0028	19154-0028	G	10-12	---	0,33	0,235	0,207	0,169

Closed End Splices, Nylon-Insulated

Two piece construction. A translucent nylon-molded insulation is adhered to the metal connector insert. The connector's insert is annealed, Tin-plated, seamless, pure electrolytic, tough pitch copper. Individual design and performance requirements dictate the use of copper inserts. These connectors are all rated for a maximum of 600V.

For quantities greater than listed, call for quote.

MOUSER STOCK NO.	Molex Part No.	Fig.	Wire Size (AWG)	Color	Price Each			
					1	100	500	1000
538-19160-0012	19160-0012	H	14-22	---	0,12	0,085	0,079	0,063
538-19160-0009	19160-0009	H	12-22	---	0,11	0,085	0,078	0,063
538-19160-0002	19160-0002	H	10-16	---	0			

MOLEX Sealed Terminals and Disconnects

PERMA-SEAL TERMINALS

Perma-Seal terminals and splices provide a rugged, environmentally sealed connection for wire sizes 8 to 22 AWG that will insulate, seal and protect joints from physical abuse and abrasion, water, salt and other corrosive compounds. The inner wall of the heat-shrinkable Perma-Seal sleeve is lined with a special hot-melt adhesive that is inert at room temperature permitting wires to be inserted easily into the splices and terminals.

- All-weather, heat-sealable terminals and splices

Ring Tongue Terminals

For quantities greater than listed, call for quote.

MOUSER STOCK NO.	Molex Part No.	Fig.	Wire Size (AWG)	Stud Size	Price Each			
					1	100	500	1000
538-19164-0085	19164-0085	A	18-22	6	0,73	0,583	0,487	0,389
538-19164-0086	19164-0086	A	18-22	8	0,73	0,583	0,487	0,389
538-19164-0003	19164-0003	A	18-22	10	0,73	0,583	0,487	0,389
538-19164-0004	19164-0004	A	18-22	1/4	0,84	0,664	0,562	0,449
538-19164-0005	19164-0005	A	18-22	3/8	0,87	0,695	0,588	0,47
538-19164-0032	19164-0032	A	14-16	6	0,78	0,613	0,523	0,418
538-19164-0033	19164-0033	A	14-16	8	0,78	0,613	0,523	0,418
538-19164-0034	19164-0034	A	14-16	10	0,78	0,613	0,523	0,418
538-19164-0026	19164-0026	A	14-16	1/4	0,82	0,654	0,55	0,44
538-19164-0027	19164-0027	A	14-16	5/16	0,82	0,654	0,55	0,44
538-19164-0061	19164-0061	A	10-12	6	0,92	0,736	0,616	0,493
538-19164-0062	19164-0062	A	10-12	8	0,92	0,736	0,616	0,493
538-19164-0065	19164-0065	A	10-12	10	0,98	0,777	0,66	0,528
538-19164-0066	19164-0066	A	10-12	1/4	0,98	0,787	0,66	0,528
538-19164-0067	19164-0067	A	10-12	5/16	0,98	0,777	0,66	0,528

Spade Tongue Terminals

For quantities greater than listed, call for quote.

MOUSER STOCK NO.	Molex Part No.	Fig.	Wire Size (AWG)	Stud Size	Price Each			
					1	100	500	1000
538-19164-0006	19164-0006	B	18-22	6	0,77	0,613	0,516	0,412
538-19164-0007	19164-0007	B	18-22	8	0,77	0,613	0,516	0,412
538-19164-0070	19164-0070	B	10-12	8	0,93	0,746	0,626	0,501

Butt Splices

For quantities greater than listed, call for quote.

MOUSER STOCK NO.	Molex Part No.	Fig.	Wire Size (AWG)	Stud Size	Price Each			
					1	100	500	1000
538-19164-0013	19164-0013	C	18-22	---	0,61	0,48	0,411	0,331
538-19164-0044	19164-0044	C	14-16	---	0,70	0,562	0,469	0,374
538-19164-0056	19164-0056	C	10-12	---	1,11	0,879	0,744	0,594

Quick Disconnect Couplers

For quantities greater than listed, call for quote.

MOUSER STOCK NO.	Molex Part No.	Fig.	Wire Size (AWG)	Accepts Tab Size (in.)	Price Each			
					1	100	500	1000
Male								
538-19164-0015	19164-0015	D	18-22	.250 x .032	0,91	0,726	0,612	0,49
538-19164-0048	19164-0048	D	14-16	.250 x .032	0,95	0,756	0,637	0,51
538-19164-0075	19164-0075	D	10-12	.250 x .032	1,35	1,03	0,874	0,698
Female								
538-19164-0017	19164-0017	E	18-22	.250 x .032	0,94	0,746	0,628	0,498
538-19164-0050	19164-0050	E	14-16	.250 x .032	0,95	0,767	0,641	0,512
538-19164-0076	19164-0076	E	10-12	.250 x .032	1,34	1,06	0,898	0,718

FULLY INSULATED QUICK DISCONNECTS

Fully Insulated Insulkrimp Female Quick Disconnects (Standard Flare)

Features:

- Designed for dense packaging requirements.
- Terminal's funnel entrance is designed for increased crimping rates by speeding wire delivery into the crimp.
- A wire stop stamped into the crimp barrel prevents insertion of over-stripped wires.
- Color coded translucent insulator allows easy identification of terminal size and wire gauge.

For quantities greater than listed, call for quote.

MOUSER STOCK NO.	Molex Part No.	Fig.	Wire Size (AWG)	Accepts Tab Size (in.)	Color	Price Each			
						1	100	500	1000
538-19003-0071	19003-0071	F	24-26	.250x.032	Yellow	0,29	0,225	0,182	0,154
538-19003-0064	19003-0064	F	24-26	.187x.020	Yellow	0,35	0,266	0,238	0,191
538-19003-0001	19003-0001	F	18-22	.250x.032	Red	0,25	0,178	0,161	0,139
538-19003-0129	19003-0129	F	18-22	.187x.020	Red	0,41	0,266	0,238	0,217
538-19003-0011	19003-0011	F	18-22	.187x.020	Red	0,19	0,178	0,161	0,134
538-19003-0040	19003-0040	F	14-16	.250x.032	Blue	0,26	0,203	0,176	0,141
538-19003-0044	19003-0044	F	14-16	.250x.032	Blue	0,34	0,266	0,234	0,187
538-19003-0050	19003-0050	F	14-16	.187x.020	Blue	0,27	0,195	0,188	0,152

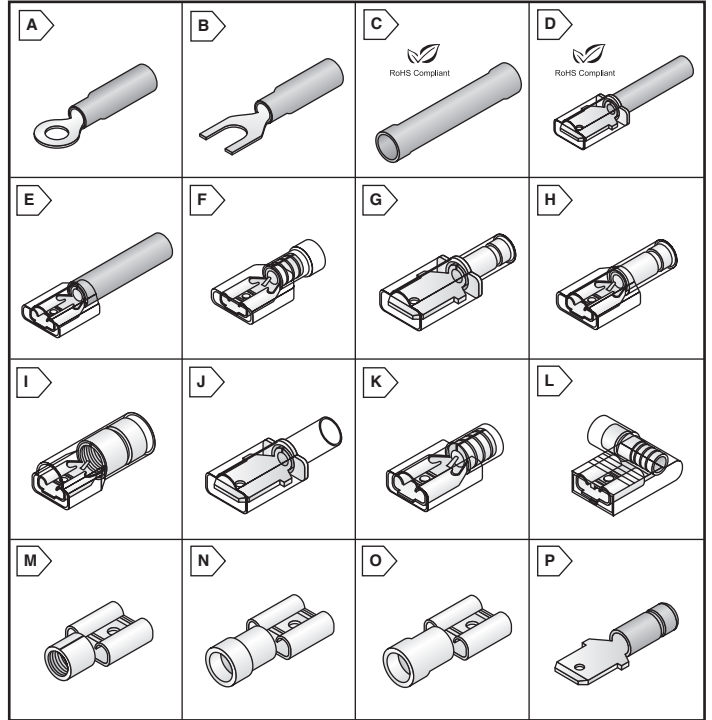
Fully Insulated Avikrimp Quick Disconnects (Standard Flare)

Avikrimp version gives you the extra advantage of the secure metal support sleeve. These parts fulfill the double crimp (support) requirements of VDE and other DIN specifications. They are the premier line when full insulation and strain relief are required.

*Expanded Flare/Oval Barrel

For quantities greater than listed, call for quote.

MOUSER STOCK NO.	Molex Part No.	Fig.	Wire Size (AWG)	Accepts Tab Size (in.)	Color	Price Each			
						1	100	500	1000
Male									
538-19001-0001	19001-0001	G	18-22	.250x.032	Red	0,59	0,46	0,401	0,314
538-19001-0003	19001-0003	G	18-22	.187x.020	Red	0,59	0,46	0,401	0,314
538-19001-0006	19001-0006	G	14-16	.250x.032	Blue	0,35	0,33	0,317	0,301
538-19001-0008	19001-0008	G	14-16	.187x.020	Blue	0,36	0,34	0,325	0,309
538-19001-0010	19001-0010	G	10-12	.250x.032	Yellow	0,71	0,552	0,476	0,378
Female									
538-19002-0001	19002-0001	H	18-22	.250x.032	Red	0,31	0,275	0,275	0,275
538-19002-0005	19002-0005	H	18-22	.187x.020	Red	0,45	0,338	0,295	0,241
538-19002-0009	19002-0009	H	18-22	.187x.032	Red	0,40	0,363	0,305	0,236
538-19002-0013	19002-0013	H	18-22	.110x.020	Red	0,50	0,399	0,335	0,27
538-19002-0024	19002-0024	H	14-16	.250x.032	Blue	0,41	0,397	0,397	0,397
538-19002-0028	19002-0028	H	14-16	.18x.020	Blue	0,55	0,429	0,368	0,292
538-19002-0031	19002-0031	H	14-16	.187x.032	Blue	0,39	0,296	0,275	0,248
538-19002-0037	19002-0037	H	14-16	.110x.032	Blue	0,40	0,296	0,289	0,254
* 538-19002-0044	19002-0044	I	10-12	.250x.032	Yellow	0,38	0,37	0,35	0,333



FULLY INSULATED COUPLERS

These fully insulated couplers are precision engineered, allowing the female terminal to fit precisely into the corresponding male housing, allowing a fully insulated in-line splice. This splice may be connected and disconnected without damage to the nylon insulation.



For quantities greater than listed, call for quote.

MOUSER STOCK NO.	Molex Part No.	Fig.	Wire Size (AWG)	Accepts Tab Size (in.)	Color	Price Each			
						1	100	500	1000
* 538-19004-0001	19004-0001	J	18-22	.250x.032	Red	0,28	0,215	0,192	0,153
* 538-19004-0009	19004-0009	J	10-12	.250x.032	Yellow	0,38	0,296	0,253	0,202
** 538-19005-0001	19005-0001	K	18-22	.250x.032	Red	0,23	0,17	0,146	0,118
** 538-19005-0010	19005-0010	K	10-12	.250x.032	Yellow	0,45	0,347	0,303	0,238

*Male **Female

FULLY INSULATED QUICK DISCONNECT FLAGS

- Space saving design



Avikrimp® Fully Pre-Insulated

For quantities greater than listed, call for quote.

MOUSER STOCK NO.	Molex Part No.	Fig.	Wire Size (AWG)	Accepts Tab Size (in.)	Color	Price Each			
						1	100	500	1000
538-19006-0001	19006-0001	L	18-22	.250x.032	Red	0,34	0,263	0,244	0,223
538-19006-0011	19006-0011	L	14-16	.250x.032	Blue	0,56	0,45	0,364	0,312
538-19006-0019	19006-0019	L	10-12	.250x.032	Yellow	0,56	0,53	0,505	0,48
538-19006-0005	19006-0005	L	18-22	.187x.020	Red	0,60	0,46	0,389	0,312

Fully Insulated (Standard Flare)

For quantities greater than listed, call for quote.

MOUSER STOCK NO.	Molex Part No.	Fig.	Wire Size (AWG)	Accepts Tab Size (in.)	Color	Price Each			
						1	100	500	1000
538-19007-0001	19007-0001	L	18-22	.250x.032	Red	0,35	0,271	0,233	0,188
538-19007-0009	19007-0009	L	18-22	.187x.020	Red	0,41	0,317	0,273	0,227
538-19007-0021	19007-0021	L	14-16	.250x.032	Blue	0,25	0,24	0,231	0,219
538-19-007-0040	19007-0040	L	10-12	.250x.032	Yellow	0,52	0,279	0,257	0,236
538-19007-0029	19007-0029	L	14-16	.187x.020	Blue	0,44	0,337	0,292	0,233

QUICK DISCONNECTS

- Full tin-plated brass construction with closed electrical barrels.



Krimptite® Butted Seam Non-Insulated - Female

For quantities greater than listed, call for quote.

MOUSER STOCK NO.	Molex Part No.	Fig.	Wire Size (AWG)	Accepts Tab Size (in.)	Price Each			
					1	100	500	1000
Krimptite® Butted Seam Non-Insulated - Female								
538-19016-0009	19016-0009	M	18-22	.250 x .032	0,10	0,098	0,093	0,081
538-19016-0006	19016-0006	M	18-22	.187 x .032	0,06	0,051	0,049	0,045
Insulkrimp® PVC Insulated - Female								
538-19017-0037	19017-0037	N	14-16	.250 x .032	0,16	0,143	0,14	0,138
Avikrimp® Nylon Insulated With Vibration Support - Female								
538-19019-0012	19019-0012	O	18-22	.250 x .032	0,32	0,235	0,205	0,175
538-19019-0031	19019-0031	O	14-16	.250 x .032	0,32	0,235	0,205	0,178
538-19019-0022	19019-0022	O	14-16	.110 x .020	0,35	0,266	0,24	0,191
538-19019-0037	19019-0037	O	10-12	.250 x .032	0,51	0,399	0,346	0,28
538-19019-0006	19019-0006	O	18-22	.187 x .020	0,32	0,245	0,205	0,173
538-19019-0027	19019-0027	O	14-16	.187 x .020	0,32	0,256	0,205	0,178
538-19019-0004	19019-0004	O	18-22	.110 x .032	0,33	0,266	0,227	0,182
538-19019-0001	19019-0001	O	18-22	.110 x .020	0,38	0,286	0,238	0,194
Krimptite® Economical Non-Insulated - Male								
538-19022-0004	19022-0004	P	18-22	.250 x .032	0,11	0,108	0,103	0,10
538-19022-0006	19022-0006	P	18-22	.187 x .020	0,13	0,123	0,117	0,103

SNAP PLUGS

- Designed to SAE specifications
- Material: Copper
- Can be connected and disconnected repeatedly



RoHS Compliant

Insulkrimp®, PVC Insulation - Male

For quantities greater than listed, call for quote.

MOUSER STOCK NO.	Molex Part No.	Fig.	Wire Size (AWG)	Max. Wire Insul. Dia	Price Each			
					1	100	500	1000
538-19034-0005	19034-0005	A	18-22	3.60 (.140)	0,29	0,225	0,207	0,194
538-19034-0009	19034-0009	A	14-16	4.40 (.175)	0,32	0,245	0,227	0,194

Avikrimp®, Extruded Nylon Insulation - Male

For quantities greater than listed, call for quote.

538-19036-0003	19036-0003	B	18-22	3.60 (.140)	0,55	0,439	0,371	0,293
538-19036-0008	19036-0008	B	14-16	4.40 (.175)	0,44	0,378	0,318	0,257

SNAP RECEPTACLES

- Designed to SAE specifications
- Material: Brass
- Can be connected and disconnected repeatedly



RoHS Compliant

Insulkrimp®, PVC Insulation - Female

For quantities greater than listed, call for quote.

MOUSER STOCK NO.	Molex Part No.	Fig.	Wire Size (AWG)	Max. Wire Insul. Dia	Price Each			
					1	100	500	1000
538-19038-0001	19038-0001	C	18-22	3.50 (.140)	0,23	0,169	0,155	0,142
538-19038-0007	19038-0007	C	14-16	4.30 (.170)	0,24	0,194	0,169	0,142

Avikrimp®, Nylon Insulation - Female

For quantities greater than listed, call for quote.

538-19039-0001	19039-0001	D	18-22	3.20 (.125)	0,40	0,286	0,26	0,207
538-19039-0004	19039-0004	D	18-22	3.25 (.128)	0,25	0,215	0,204	0,189
538-19039-0006	19039-0006	D	14-16	3.80 (.150)	0,38	0,286	0,259	0,206

WIRE PIN TERMINALS

Wire Pin Terminals offer quick and easy connections in applications where set screws or clamps are used to make electrical contact with the wire. Wire pins simplify the insertion of stranded wire into European style terminal blocks and other components, by preventing wire strand foldback, assuring a proper electrical contact and a stronger connection than just wire alone.



RoHS Compliant

KrimpTite®, Non-Insulated

For quantities greater than listed, call for quote.

MOUSER STOCK NO.	Molex Part No.	Fig.	Wire Size (AWG)	Color	Price Each			
					1	100	500	1000
538-19211-0001	19211-0001	E	10-12	-----	0,18	0,153	0,128	0,119
538-19211-0005	19211-0005	E	14-16	-----	0,12	0,119	0,114	0,097

Insulkrimp®, PVC Insulation

For quantities greater than listed, call for quote.

MOUSER STOCK NO.	Molex Part No.	Fig.	Wire Size (AWG)	Color	Price Each			
					1	100	500	1000
538-19212-0003	19212-0003	F	18-22	Red	0,31	0,245	0,208	0,167
538-19212-0005	19212-0005	F	14-16	Blue	0,33	0,256	0,217	0,194
538-19212-0001	19212-0001	F	10-12	Yellow	0,27	0,225	0,205	0,194

Avikrimp®, Nylon Insulation

For quantities greater than listed, call for quote.

MOUSER STOCK NO.	Molex Part No.	Fig.	Wire Size (AWG)	Color	Price Each			
					1	100	500	1000
538-19213-0009	19213-0009	G	18-22	Red	0,43	0,337	0,281	0,238
538-19213-0011	19213-0011	G	14-16	Blue	0,29	0,235	0,227	0,216
538-19213-0007	19213-0007	G	10-12	Yellow	0,47	0,347	0,312	0,285

HEAVY DUTY RING TONGUE TERMINALS

- UL listed, CSA certified
- Crimps in industry standard tooling
- Seamless barrel design
- Can be easily soldered or crimped
- Flared barrel entry for easy wire insertion
- AWG wire size identification on barrel
- Made of CDA-110 Copper stock offering 100% conductivity

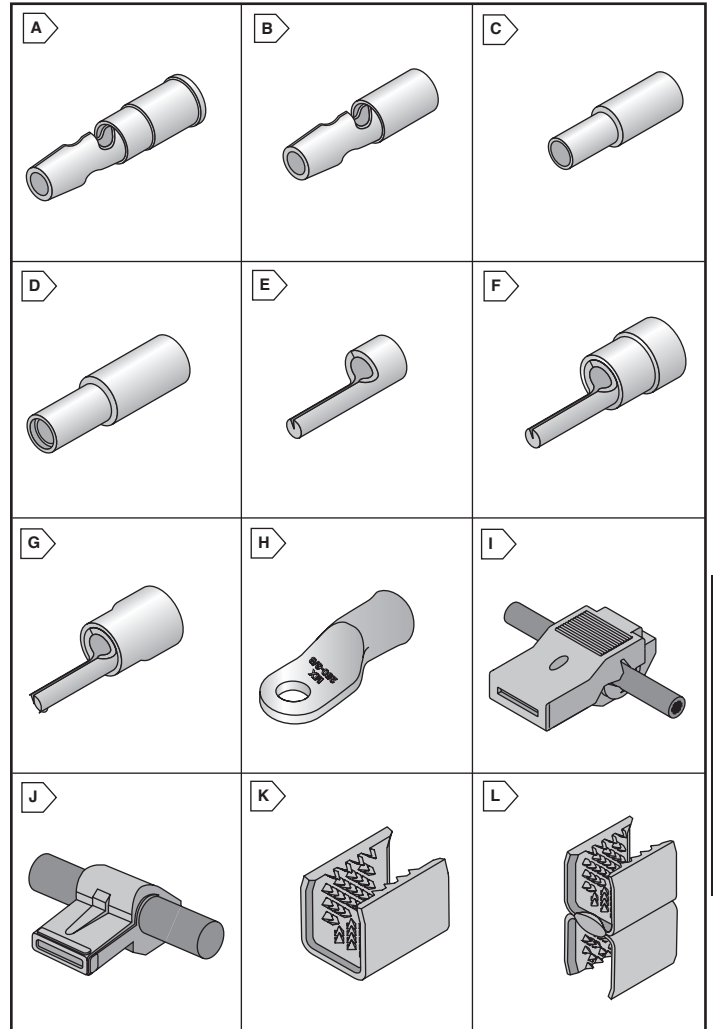


RoHS Compliant

For quantities greater than listed, call for quote.

MOUSER STOCK NO.	Molex Part No.	Fig.	Wire Size (AWG)	Color	Price Each			
					1	100	500	1000
538-19221-0223	19221-0223	H	8	10	0,75	0,562	0,428	0,351
538-19221-0224	19221-0224	H	8	1/4	0,97	0,685	0,552	0,416
538-19221-0225	19221-0225	H	8	5/16	0,62	0,48	0,455	0,401
538-19221-0424	19221-0424	H	6	10	1,53	1,12	0,972	0,794
538-19221-0495	19221-0495	H	6	1/4	1,07	0,879	0,761	0,619
538-19221-0452	19221-0452	H	4	10	1,17	1,05	0,917	0,752
538-19221-0230	19221-0230	H	4	1/4	1,48	1,05	0,852	0,639
538-19221-0232	19221-0232	H	4	3/8	1,38	0,93	0,736	0,596
538-19221-0231	19221-0231	H	4	5/16	1,43	0,981	0,78	0,606
538-19221-0418	19221-0418	H	2	1/4	1,10	0,981	0,876	0,849
538-19221-0235	19221-0235	H	2	3/8	1,89	1,27	1,01	0,805
538-19221-0233	19221-0233	H	2	5/16	1,77	1,27	1,02	0,763
538-19221-0420	19221-0420	H	1	1/4	3,01	2,72	2,43	2,12
538-19221-0238	19221-0238	H	1	3/8	1,90	1,27	1,01	0,805
538-19221-0237	19221-0237	H	1	5/16	1,49	1,05	0,844	0,639
538-19221-0241	19221-0241	H	1/0	3/8	2,15	1,59	1,25	1,01
538-19221-0240	19221-0240	H	1/0	5/16	2,53	1,73	1,40	1,07
538-19221-0242	19221-0242	H	1/0	1/2	2,15	1,84	1,45	1,14
538-19221-0244	19221-0244	H	2/0	3/8	2,18	1,76	1,38	1,33
538-19221-0243	19221-0243	H	2/0	5/16	2,41	2,07	1,67	1,24
538-19221-0245	19221-0245	H	2/0	1/2	1,99	1,57	1,50	1,18
538-19221-0247	19221-0247	H	3/0	3/8	3,09	2,06	1,66	1,32
538-19221-0250	19221-0250	H	4/0	3/8	5,44	3,87	3,09	2,53
538-19221-0412	19221-0412	H	4/0	5/16	5,64	4,14	3,55	2,90
538-19221-0251	19221-0251	H	4/0	1/2	4,03	3,37	2,92	2,66

© Copyright 2012 Mouser Electronics



Terminals

Molex

INSULATED DISPLACEMENT CONNECTORS (IDC)

Self-tapping (IDC) Tap-And-Run connectors. The quick, convenient Multi-Lock connectors have many uses. Using only ordinary channel-lock pliers, these color-coded connectors make quick, reliable, pre-insulated splices without stripping, twisting, soldering, or the need for special tools. They will tap-splice, pigtail-splice, parallel-splice or in-line splice insulated copper wire conductors for a wide range of applications.

For quantities greater than listed, call for quote.

MOUSER STOCK NO.	Molex Part No.	Fig.	Wire Size (AWG)	Color	Price Each			
					1	100	500	1000
538-19216-0011	19216-0011	I	18-22	Red	0,55	0,48	0,411	0,343
538-19216-0010	19216-0010	I	14-18	Blue	0,55	0,48	0,411	0,343
538-19216-0009	19216-0009	I	12	Yellow	0,58	0,48	0,401	0,335
538-19216-0018	19216-0018	J	18-22	Red	0,27	0,215	0,183	0,146
538-19216-0017	19216-0017	J	14-18	Blue	0,26	0,204	0,182	0,142
538-19216-0019	19216-0019	J	12	Yellow	0,31	0,245	0,205	0,167

MAGKRIMP SPLICES



RoHS Compliant

These splices have an open side which permits easy access to wire and makes internal coil tapping easy.

Features:

- For aluminum and copper magnet wire
- Insulation Piercing
- Open barrel design
- Accommodates round, rectangular, and square magnet wire
- Tin plated to delay corrosion
- Penetrates all types of insulation, varnish

Specifications:

- Voltage: 2000V AC
- Material: Copper alloy
- Plating: Tin
- Operating temperature: -40°C to +110°C

For quantities greater than listed, call for quote.

MOUSER STOCK NO.	Molex Part No.	Fig.	Circular Mil Area	Round Wire Range,AWG	Price Each			
					1	100	500	1000
538-19195-1002	19195-1002	K	4,110-20,760	10-14	1,06	0,961	0,87	0,774
538-19195-1004	19195-1004	K	10,380-52,480	2-12	1,76	1,58	1,43	1,29
538-19195-1027	19195-1027	L	20,760-104,960	2-12	6,44	5,78	5,19	4,68
538-19195-1023	19195-1023	-	50,000-115,000	-	11,81	10,63	9,54	8,60

© Copyright 2012 Mouser Electronics

MOLEX Tools for Terminals and Splices

HAND TOOLS FOR TERMINALS AND SPLICES

Features:

- Premium grade and service grade hand tools
- Service grade ratchet and non-ratchet

For quantities greater than listed, call for quote.

MOUSER STOCK NO.	Molex Part No.	Description	Price Each	
			1	5
538-64001-0100	64001-0100	Premium grade ratchet hand tool for closed barrel, 10-22 AWG insulated terminals and splices	285,19	265,72
538-64003-0100	64003-0100	Premium grade ratchet hand tool for closed barrel, 10-22 AWG uninsulated terminals and splices	307,12	292,60
538-64001-0600	64001-0600	Premium grade ratchet hand tool for 10-22 AWG nylon closed end connectors	319,83	298,53
538-64001-7400	64001-7400	Premium grade ratchet hand tool for closed barrel, 10-22 AWG Perma-Seal terminals and splices	404,71	375,24
538-64001-4500	64001-4500	Premium grade ratchet hand tool for closed barrel, 10-22 AWG Perma-Seal step down butt splices and 14-22 AWG fully insulated quick disconnect couplers for male and female	307,12	292,60
538-64016-0038	64016-0038	Service grade ratchet hand tool for closed barrel, 10-22 AWG non-insulated terminals and splices	37,03	34,76
538-64016-0036	64016-0036	Service grade ratchet hand tool for closed barrel, 10-22 AWG insulated terminals and splices	40,48	36,58
538-64016-0042	64016-0042	Service grade ratchet hand tool for closed barrel, step down butt splices 10-22 AWG and 14-22 AWG male and female fully insulated quick disconnects	36,55	33,56
538-64016-0041	64016-0041	Service grade ratchet hand tool for closed barrel, 10-22 AWG Perma-Seal terminals and splices	37,03	34,15
538-64016-0039	64016-0039	Service grade non-ratchet multi-function hand tool for 10-22 AWG insulated and non-insulated terminals strips and cuts wire 10-22 AWG and cuts a variety of screw sizes	6,54	5,59
538-64001-0200	64001-0200	Premium grade ratchet hand tool for closed barrel, 10-22 AWG insulated quick disconnects	285,19	265,72
538-64001-2300	64001-2300	Premium grade ratchet hand tool for Avikrimp® and InsulKrimp® closed barrel, 18-22 AWG snap plug receptacles	351,00	326,22
538-64003-1100	64003-1100	Premium grade ratchet hand tool for Krimptite® closed barrel, 14-22 AWG non-insulated quick disconnects and bullet receptacles	319,83	302,08
538-64001-4300	64001-4300	Premium grade ratchet hand tool for Avikrimp® closed barrel, 14-22 AWG fully insulated quick disconnect flags	307,12	292,60
538-64001-2800	64001-2800	Premium grade ratchet hand tool for Avikrimp® closed barrel, 10-12 AWG fully insulated quick disconnect flags	351,00	326,22
538-64001-4700	64001-4700	Premium grade ratchet hand tool for InsulKrimp® closed barrel, 14-22 AWG male and female fully insulated quick disconnect couplers, Perma-Seal quick disconnect couplers and snap plug receptacles, conductor only crimp	351,00	326,22
538-64001-0800	64001-0800	Premium grade ratchet hand tool for Avikrimp® closed barrel, 18-22 AWG female fully insulated quick disconnects	307,12	292,60
538-64001-2600	64001-2600	Premium grade ratchet hand tool for Avikrimp® closed barrel, 14-22 AWG male fully insulated quick disconnects	286,67	265,72
538-64001-0400	64001-0400	Premium grade ratchet hand tool for InsulKrimp® closed barrel, 10-22 AWG quick disconnect terminals	311,71	286,16
538-64001-5200	64001-5200	Premium grade ratchet hand tool for InsulKrimp® closed barrel, 24-26 AWG female fully insulated quick disconnects, conductor crimp only	351,00	335,51
538-64001-4600	64001-4600	Premium grade ratchet hand tool for Avikrimp® closed barrel, 10-12 AWG male quick disconnects	335,22	335,22
538-64001-4900	64001-4900	Premium grade ratchet hand tool for Avikrimp® closed barrel, 10-16 AWG fully insulated quick disconnect female couplers and Perma-Seal fully insulated snap plug receptacles	347,48	334,19
538-64016-0037	64016-0037	Service grade ratchet hand tool for closed barrel, 10-22 AWG insulated quick disconnects	38,59	33,72
538-19284-0034	19284-0034	Premium grade ratchet hand tool for heavy duty ring tongue terminals	127,85	117,58

Terminals

Molex

TERMINAL TO HAND TOOL MATRIX

MOUSER STOCK NO.	Molex Premium Grade Ratchet Hand Tool	Molex Service Grade Ratchet Hand Tool	Molex Service Grade Non-Ratchet Hand Tool
538-19069-xxxx	64003-0100	64016-0038	64016-0039
538-19070-xxxx	64001-0100	64016-0036	64016-0039
538-19073-xxxx	64001-0100	64016-0036	64016-0039
538-19099-xxxx	64001-0100	64016-0036	64016-0039
538-19144-xxxx	64001-0100	64016-0036	64016-0039
538-19198-xxxx	64001-0100	64016-0036	64016-0039
538-19121-xxxx	64001-0100	64016-0036	64016-0039
538-19127-xxxx	64001-0100	64016-0036	64016-0039
538-19154-xxxx	64001-0100	64016-0036	64016-0039
538-19160-xxxx	64001-0600	-	-
538-19003-0071	64001-5200	-	-
538-19003-0064	64001-5200	-	-
538-19003-0001	64001-0400	64016-0042	64016-0039
538-19003-0129	64001-0400	64016-0042	64016-0039
538-19003-0011	64001-0400	64016-0042	64016-0039
538-19003-0040	64001-0400	64016-0042	64016-0039
538-19003-0044	64001-0400	64016-0042	64016-0039
538-19003-0050	64001-0400	64016-0042	64016-0039
538-19001-0001	64001-2600	64016-0042	64016-0039
538-19001-0003	64001-2600	64016-0042	64016-0039
538-19001-0006	64001-2600	64016-0042	64016-0039
538-19001-0008	64001-2600	64016-0042	64016-0039
538-19001-0010	64001-4600	-	64016-0039
538-19002-0001	64001-0800	64016-0042	64016-0039
538-19002-0005	64001-0800	64016-0042	64016-0039
538-19002-0009	64001-0800	64016-0042	64016-0039
538-19002-0013	64001-0800	64016-0042	64016-0039
538-19002-0024	64001-1100	64016-0042	64016-0039
538-19002-0028	64001-1100	64016-0042	64016-0039
538-19002-0031	64001-1100	64016-0042	64016-0039
538-19002-0037	64001-1100	64016-0042	64016-0039
538-19002-0044	64001-0200	64016-0037	64016-0039
538-19004-0001	64001-4700	-	64016-0039
538-19005-0010	64001-4900	-	64016-0039
538-19006-0001	64001-4300	-	64016-0039
538-19006-0011	64001-4300	-	64016-0039
538-19006-0019	64001-2800	-	64016-0039
538-19006-0005	64001-4300	-	64016-0039
538-19007-0001	64001-4100	-	64016-0039
538-19007-0009	64001-4100	-	64016-0039
538-19007-0021	64001-4100	-	64016-0039
538-19007-0040	64001-2800	-	64016-0039
538-19007-0029	64001-4100	-	64016-0039
538-19016-xxxx	64003-1100	-	64016-0039
538-19017-0037	64001-0200	64016-0037	64016-0039
538-19019-xxxx	64001-0200	64016-0037	64016-0039
538-19022-xxxx	64003-0100	64016-0038	64016-0039
538-19034-xxxx	64001-0100	64016-0036	64016-0039

MOUSER STOCK NO.	Molex Premium Grade Ratchet Hand Tool	Molex Service Grade Ratchet Hand Tool	Molex Service Grade Non-Ratchet Hand Tool
538-19036-xxxx	64001-0100	64016-0036	64016-0039
538-19038-xxxx	64001-2300	-	64016-0039
538-19039-xxxx	64001-2300	-	64016-0039
538-19211-xxxx	64003-0100	64016-0038	64016-0039
538-19212-xxxx	64001-0100	64016-0036	64016-0039
538-19213-xxxx	64001-0100	64016-0036	64016-0039
538-19221-0223	19284-0034	-	-
538-19221-0224	19284-0034	-	-
538-19221-0225	19284-0034	-	-
538-19221-0424	19284-0034	-	-
538-19221-0495	19284-0034	-	-
538-19221-0452	19284-0034	-	-
538-19221-0230	19284-0034	-	-
538-19221-0232	19284-0034	-	-
538-19221-0231	19284-0034	-	-
538-19221-0418	19284-0034	-	-
538-19221-0235	19284-0034	-	-
538-19221-0233	19284-0034	-	-
538-19221-0420	19284-0034	-	-
538-19221-0238	19284-0034	-	-
538-19221-0237	19284-0034	-	-
538-19221-0241	19284-0034	-	-
538-19221-0240	19284-0034	-	-
538-19221-0242	19284-0034	-	-
538-19221-0244	19284-0034	-	-
538-19221-0243	19284-0034	-	-
538-19221-0245	19284-0034	-	-
538-19221-0247	19284-0034	-	-
538-19221-0250	19284-0034	-	-
538-19221-0412	19284-0034	-	-
538-19221-0251	19284-0034	-	-

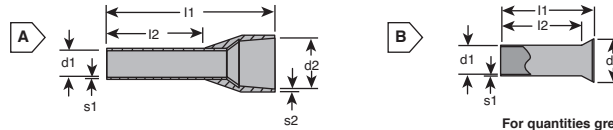
MOUSER STOCK NO.	Molex Premium Grade Ratchet Hand Tool	Molex Service Grade Ratchet Hand Tool	Molex Service Grade Non-Ratchet Hand Tool
Ring and Spade Tongue Terminals			
538-19164-xxxx	64001-3200	64016-0041	64016-0039
Butt Splices			
538-19164-xxxx	64001-3200	64016-0041	64016-0039
Quick Disconnect Couplers			
538-19164-0015	64001-4500	64016-0042	64016-0039
538-19164-0084	64001-4500	64016-0042	64016-0039
538-19165-0075	64001-0100	64016-0036	64016-0039
538-19164-0012	64001-4500	64016-0042	64016-0039
538-19164-0050	64001-4500	64016-0042	64016-0039
538-19164-0076	64001-0100	64016-0036	64016-0039

PHOENIX CONTACT Ferrules

SINGLE WIRE FERRULES

Insulated

- Material: Electrolytic copper with tin plating
- The plastic insulating sleeves simplify the fitting onto the conductor and the colors denote the size of the cross section



For quantities greater than listed, call for quote.

MOUSER STOCK NO.	Phoenix Part No.	Phoenix Type	Fig.	Color	Wire Size		Dimensions: mm						Price Each			
					(mm2)	AWG	l1	l2	d1	d2	s1	s2	1	10	50	100
651-3203024	3203024	AI 0.25-6 YE	A	Yellow	0.25	24	10.50	6.00	0.80	2.00	0.25	0.25	0,26	0,239	0,223	0,206
651-3203053	3203053	AI 0.34-6 TQ	A	Turquoise	0.34	22	10.50	6.00	0.80	2.00	0.25	0.25	0,26	0,239	0,223	0,206
651-3200014	3200014	AI 0.5-8WH	A	White	0.5	20	14.00	8.00	1.10	2.50	0.15	0.25	0,17	0,157	0,14	0,131
651-3201301	3201301	AI 0.5-6 OG	A	Orange	0.5	20	12.00	6.00	1.10	2.50	0.15	0.25	0,20	0,182	0,165	0,157
651-3200687	3200687	AI 0.5 - 6 WH	A	White	0.5	20	12.00	6.00	1.10	2.50	0.15	0.25	0,24	0,206	0,19	0,173
651-3201275	3201275	AI 0.5 -10 WH	A	White	0.5	20	16.00	10.00	1.10	2.50	0.15	0.25	0,26	0,239	0,223	0,206
651-3200182	3200182	AI 1-10 RD	A	Red	0.75	18	14.00	8.00	1.30	2.80	0.15	0.25	0,27	0,248	0,231	0,215
651-3200027	3200027	AI 0.75-8 BU	A	Blue	1	18	16.00	10.00	1.50	3.00	0.15	0.30	0,17	0,157	0,14	0,131
651-3200030	3200030	AI 1-8 RD	A	Red	1	18	14.00	8.00	1.50	3.00	0.15	0.30	0,17	0,157	0,14	0,131
651-3200519	3200519	AI 0.75-8 GY	A	Gray	0.75	18	14.00	8.00	1.30	2.80	0.15	0.25	0,17	0,157	0,14	0,131
651-3201314	3201314	AI 0.75-6 WH	A	White	0.75	18	12.00	6.00	1.30	2.80	0.15	0.25	0,22	0,198	0,173	0,165
651-3200742	3200742	AI 1 - 6 RD	A	Red	1	18	12.00	6.00	1.50	3.00	0.15	0.30	0,24	0,206	0,19	0,173
651-3200195	3200195	AI 1.5-10 BK	A	Black	1.5	16	18.00	10.00	1.80	3.40	0.15	0.30	0,27	0,248	0,231	0,215
651-3201136	3201136	AI 1.5-8 RD	A	Red	1.5	16	14.00	8.00	1.80	3.40	0.15	0.30	0,14	0,132	0,124	0,107
651-3200043	3200043	AI 1.5-8 BK	A	Black	1.5	16	14.00	8.00	1.80	3.40	0.15	0.30	0,17	0,157	0,14	0,131
651-3200755	3200755	AI 1,5 - 6 BK	A	Black	1.5	16	12.00	6.00	1.80	3.40	0.15	0.30	0,24	0,206	0,19	0,173
651-3200522	3200522	AI 2,5 - 8 BU	A	Blue	2.5	14	14.00	8.00	2.30	4.20	0.15	0.30	0,19	0,173	0,157	0,149
651-3200962	3200962	AI 2.5-12 BU	A	Blue	2.5	14	18.00	12.00	2.30	4.20	0.15	0.30	0,31	0,289	0,264	0,248
651-3200072	3200072	AI 2.5-18 GY	A	Gray	2.5	14	24.00	18.00	2.30	4.20	0.15	0.30	0,39	0,355	0,322	0,289
651-3200535	3200535	AI 4-10 GY	A	Gray	4	12	17.00	10.00	2.80	4.80	0.20	0.30	0,27	0,248	0,231	0,215
651-3200438	3200438	AI 4-12 OG	A	Orange	4	12	19.00	12.00	2.80	4.80	0.20	0.30	0,35	0,322	0,289	0,272
651-3200593	3200593	AI 4 -18 GY	A	Gray	4	12	26.00	18.00	2.80	4.80	0.20	0.30	0,46	0,396	0,38	0,347
651-3200548	3200548	AI 6-12 YE	A	Yellow	6	10	20.00	12.00	3.50	6.20	0.20	0.30	0,42	0,388	0,338	0,314
651-3201107	3201107	AI 6-12 BK	A	Black	6	10	20.00	12.00	3.50	6.20	0.20	0.30	0,37	0,322	0,297	0,281
651-3200108	3200108	AI 6 -12 GN	A	Green	6	10	20.00	12.00	3.50	6.20	0.20	0.30	0,42	0,388	0,338	0,314

Uninsulated

- Material: Electrolytic copper with tin plating
- Dimensions of the ferrules correspond to DIN 46 228-1

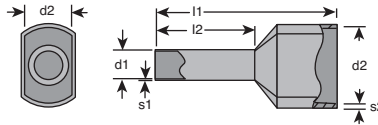
RoHS Compliant

For quantities greater than listed, call for quote.

MOUSER STOCK NO.	Phoenix Part No.	Phoenix Type	Fig.	Color	Wire Size		Dimensions: mm						Price Each			
					(mm2)	AWG	l1	l2	d1	d2	s1	s2	1	10	50	100
651-3200218	3200218	A 0.5-6	B	-	0.5	20	6.00	5.30	1.00	0.15	2.10	---	0,11	0,091	0,083	0,074
651-3200221	3200221	A 0.75-6	B	-	0.75	18	6.00	5.30	1.20	0.15	2.30	---	0,11	0,091	0,083	0,074
651-3200250	3200250	A 1-10	B	-	1	18	10.00	9.30	1.40	0.15	2.50	---	0,14	0,132	0,124	0,107
651-3200276	3200276	A 1.5-10	B	-	1.5	16	10.00	9.00	1.70	0.15	2.80	---	0,14	0,132	0,124	0,107
651-3200263	3200263	A 1.5-7	B	-	1.5	16	7.00	6.00	1.70	0.15	2.80	---	0,12	0,107	0,099	0,091
651-3200289	3200289	A 2.5-7	B	-	2.5	14	7.00	6.00	2.20	0.15	3.40	---	0,13	0,124	0,116	0,107

TWIN WIRE FERRULES - INSULATED

- Material: Electrolytic copper with tin plating
- Dimensions of the ferrules correspond to DIN 46 228-1



For quantities greater than listed, call for quote.

MOUSER STOCK NO.	Phoenix Part No.	Phoenix Type	Color	Wire Size		Dimensions: mm						Price Each			
				(mm2)	AWG	l1	l2	d1	d2	s1	s2	1	10	50	100
651-3200933	3200933	AI-TWIN 2 X 0.5-8 WH	White	2 x 0.5	20	15.00	8.00	1.50	2.5/4.7	0.15	0.25	0,31	0,281	0,256	0,238
651-3200807	3200807	AI-TWIN 2 X 0.75-8 GY	Gray	2 x 0.75	18	15.00	8.00	1.80	2.8/5.0	0.15	0.25	0,31	0,281	0,256	0,238
651-3200810	3200810	AI-TWIN 2 X 1-8 RD	Red	2 x 1	18	15.00	8.00	2.05	3.4/5.4	0.15	0.30	0,32	0,305	0,272	0,256
651-3200823	3200823	AI-TWIN 2 X 1.5-8 BK	Black	2 x 1.5	16	16.00	8.00	2.30	3.6/6.6	0.15	0.30	0,32	0,305	0,272	0,256
651-3200836	3200836	AI-TWIN 2 X 2.5-10 BU	Blue	2 x 2.5	14	18.50	10.00	2.90	4.2/7.8	0.20	0.30	0,35	0,322	0,289	0,272
651-3201000	3201000	AI-TWIN 2 X 4-12 GY	Gray	2 x 4	12	23.00	12.00	3.80	4.9/8.8	0.20	0.30	0,84	0,751	0,685	0,635
651-3201013	3201013	AI-TWIN 2 X 6-14 YE	Yellow	2 x 10	10	25.00	14.00	4.90	5.9/10	0.20	0.40	0,99	0,883	0,80	0,743

FERRULE KITS

Features: 651-1202072

- Metal case with latch
- Assorted insulated ferrules with wire stripper and crimping tool
- Clear labeling on the inner side of the lid



Part number 651-1202072 illus.

Features: 651-3202960, 651-3202973, 651-3202999

- Plastic containers with separate compartments for different ferrules
- Transparent covers and color-marked ferrules for quick and easy access
- Able to be mounted on walls, or pegboard, to save space



Part number 651-3202960 illus.

RoHS Compliant

For quantities greater than listed, call for quote.

MOUSER STOCK NO.	Phoenix Part No.	Phoenix Type	Description	Price Each	
				1	5
651-1202072	1202072	CRIMPSET 6	KIT contains the following: 500 each of the 3203024, 3203053, 3200014, 3200519, 3200030, 3200043; 300 each of the 3200522; 200 each of the 3200535, 100 each of the 3200548; 1 QUICK-WIREFOX wire stripper; 1 CRIMPFOX UD 6	621,42	590,35
651-3202960	3202960	AI SORTI BOX RD	KIT contains the following: 100 each of 3200519, 3200030, 3200043; 50 each of 3200014, 3200522	78,97	73,23
651-3202973	3202973	AI SORTI BOX ANT	KIT contains the following: 50 each of 3200535; 25 each of 3200548, 3200551; 10 each of 3200564	78,97	73,23
651-3202999	3202999	AI-TWIN-SORTI-BOX GY	KIT contains the following: 20 each of 3201000; 10 each of 3201000, 3201026	109,37	101,42

TOOLS

For quantities greater than listed, call for quote.

MOUSER STOCK NO.	Phoenix Part No.	Phoenix Type	Description	Price Each
651-1212038	1212038	CRIMPFOX 6T-F	Crimping Pliers for 23 - 10 AWG, Hexagonal Crimping	246,52
651-1212046	1212046	CRIMPFOX 6H	Crimping Pliers for 24 - 10 AWG, Trapezoidal Crimping	220,09
651-1204384	1204384	QUICK WIREFOX 6	Wire Stripper, 24-10 AWG, up to 18mm stripping lengths	60,55

TE Barrier Terminal Blocks



This product is RoHS compliant.



.325" PITCH, DUAL BARRIER, INTERLOCKING

Modular Interlocking design; Create terminal blocks up to 16 positions without losing centerline spacing

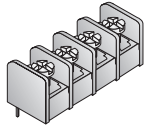
- #6-32 Screws on .325" Centers
- Single Row PCB Mount
- Wire Range 16-22 AWG
- 15A UL Rating
- 300V UL Rating
- Housing: UL94V-0; Color: Black

For quantities greater than listed, call for quote.

MOUSER STOCK NO.	TE Part No.	No. of Positions	Length (in.)	Price Each			
				1	25	50	100
571-1977477-2	1977477-2	2	0.649	1,09	1,03	0,976	0,924
571-1977477-3	1977477-3	3	0.974	1,75	1,57	1,51	1,39

.325" PITCH, DUAL BARRIER, SINGLE ROW

- #6-32 screws on .325" centers
- UL94V-0
- Housing Material: Thermoplastic Polyamide
- Printed Circuit Pin
- 14-22 AWG
- 20A rating
- Color: Black

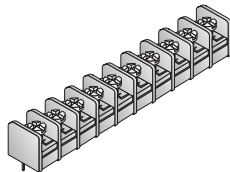


For quantities greater than listed, call for quote.

MOUSER STOCK NO.	TE Part No.	No. of Positions	Length (in.)	Price Each			
				1	25	50	100
Steel Binding Combo Head Screws							
571-14376676	1437667-6	2	.325	0,56	0,528	0,505	0,472
571-114376670	1-1437667-0	4	.975	1,15	1,05	1,02	0,947
571-114376672	1-1437667-2	6	1.625	1,75	1,61	1,54	1,44
571-114376675	1-1437667-5	8	2.275	4,24	3,87	3,80	3,51
571-114376679	1-1437667-9	12	3.575	6,27	5,73	5,61	5,18
Steel Wire Clamp Combo Head Screws							
571-214376674	2-1437667-4	2	0.325	0,45	0,43	0,413	0,392
571-214376675	2-1437667-5	3	0.650	0,96	0,878	0,849	0,794
571-214376676	2-1437667-6	4	0.975	1,27	1,17	1,13	1,05
571-214376678	2-1437667-8	5	1.300	2,09	1,93	1,85	1,72
571-214376679	2-1437667-9	6	1.625	1,90	1,76	1,69	1,57
571-314376671	3-1437667-1	8	2.275	3,31	3,07	2,92	2,73
571-314376672	3-1437667-2	9	2.600	3,73	3,45	3,30	3,08
571-314376673	3-1437667-3	10	2.925	4,21	3,91	3,73	3,48

.375" PITCH, LOW PROFILE, DUAL BARRIER, SINGLE ROW

- Flat, all positions filled
- Housing Material: Thermoplastic Polyamide
- #6-32 screws on .375" centers
- UL94V-0
- Printed Circuit Pin
- 12-22 AWG
- 20A rating
- Color: Black



For quantities greater than listed, call for quote.

MOUSER STOCK NO.	TE Part No.	No. of Positions	Length (in.)	Price Each			
				1	25	50	100
Steel Binding Combo Head Screws							
571-14376644	1437664-4	2	.815	0,60	0,578	0,525	0,445
571-14376645	1437664-5	3	1.19	1,06	0,944	0,844	0,84
571-14376646	1437664-6	4	1.565	1,21	1,07	1,02	0,971
571-14376647	1437664-7	5	1.94	1,54	1,36	1,30	1,23
571-14376649	1437664-9	6	2.315	1,94	1,72	1,63	1,53
571-114376640	1-1437664-0	7	2.69	2,34	2,08	1,96	1,85
571-114376641	1-1437664-1	8	3.065	3,21	2,88	2,76	2,56
571-114376643	1-1437664-3	9	3.44	2,93	2,70	2,57	2,40
571-114376644	1-1437664-4	10	3.82	3,05	2,74	2,64	2,44
571-114376647	1-1437664-7	12	4.57	3,03	2,88	2,74	2,60
Steel Clamp-Plate Combo Head Screws							
571-314376640	3-1437664-0	2	0.815	0,65	0,589	0,552	0,517
571-314376641	3-1437664-1	3	1.190	0,99	0,94	0,894	0,849
571-314376643	3-1437664-3	4	1.565	1,18	1,12	1,07	1,01
571-314376645	3-1437664-5	5	1.940	2,32	2,09	1,46	1,33
571-314376648	3-1437664-8	6	2.315	2,30	2,18	2,07	1,96
571-414376640	4-1437664-0	7	2.690	1,97	1,87	1,78	1,69
571-414376641	4-1437664-1	8	3.065	3,05	2,76	2,61	2,45
571-414376642	4-1437664-2	9	3.440	3,22	3,04	2,88	2,73

DUAL BARRIER STRIPS, DOUBLE-ROW

Double row, dual barrier strips for wire-to-wire applications. These parts also allow end users to complete the wiring to a separate screw without disturbing the factory wiring. Closed bottom design allows for mounting direct to sheet metal panel.

Specifications:

- Insulator body: UL 94V-0 Thermoplastic, Black
- Terminal: Brass, Tin Plated
- Screw: #6-32 Steel, Nickel Plated
- Molded to Length

.374 Dual Barrier Strips, Double Row with Binding Head Screws

Electrical:

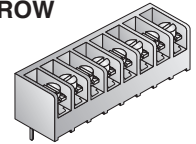
- Current rating: 20A, 300VAC
- Wire range: 12-22 AWG
- Withstanding voltage: 2000 VAC min.
- Temperature: -40°C to +105°C

For quantities greater than listed, call for quote.

MOUSER STOCK NO.	TE Part No.	No. of Positions	Length (in.)	Price Each			
				1	25	50	100
571-15463062	1546306-2	2	1.42	0,60	0,57	0,545	0,518
571-15463063	1546306-3	3	1.80	0,84	0,81	0,795	0,771
571-15463064	1546306-4	4	2.17	1,58	1,41	1,32	1,25
571-15463065	1546306-5	5	2.55	1,62	1,54	1,46	1,39
571-15463066	1546306-6	6	2.92	1,42	1,35	1,28	1,22
571-15463067	1546306-7	7	3.30	2,03	1,97	1,93	1,89
571-15463068	1546306-8	8	3.67	2,06	1,96	1,86	1,78
571-115463060	1-1546306-0	10	4.41	3,87	3,68	3,49	3,31
571-115463062	1-1546306-2	12	5.16	2,70	2,66	2,62	2,58
571-115463064	1-1546306-4	14	5.91	3,46	3,40	3,35	3,30
571-115463066	1-1546306-6	16	6.65	6,42	6,10	5,79	5,50
571-215463060	2-1546306-0	20	8.15	7,23	6,87	6,53	6,20

.250" PITCH, TRI-BARRIER, SINGLE ROW

- Housing Material: Polypropylene
- 10A rating
- 18-22 AWG wire range
- UL94V-0
- #3-48 screws on .250" centers
- Printed Circuit Pin, Vertical
- Phil-slot Head
- Color: Black



For quantities greater than listed, call for quote.

MOUSER STOCK NO.	TE Part No.	No. of Positions	Length (in.)	Price Each			
				1	25	50	100
571-314376463	3-1437646-3	2	.57	0,78	0,735	0,718	0,681
571-314376469	3-1437646-9	3	.82	1,19	1,12	1,09	1,04
571-414376462	4-1437646-2	4	1.07	1,58	1,49	1,44	1,37
571-414376465	4-1437646-5	5	1.32	1,50	1,37	1,32	1,25
571-514376460	5-1437646-0	6	1.57	2,38	2,23	2,18	2,08
571-514376464	5-1437646-4	7	1.82	2,80	2,65	2,58	2,46
571-514376467	5-1437646-7	8	2.07	4,82	4,28	4,08	3,82
571-514376469	5-1437646-9	9	2.32	6,91	6,14	5,85	5,48
571-614376462	6-1437646-2	10	2.57	5,24	4,94	4,83	4,58

.325" PITCH, TRI-BARRIER, SINGLE ROW

- 20A rating
- 14-22 AWG
- Housing Material: Polyamide
- Color: Black
- #4-40 screws on .325" centers
- Printed Circuit Pin, Vertical
- UL94V-0
- Phil-Slot Head

For quantities greater than listed, call for quote.

MOUSER STOCK NO.	TE Part No.	No. of Positions	Length (in.)	Price Each			
				1	25	50	100
571-514376487	5-1437648-7	2	.705	0,98	0,871	0,83	0,778
571-614376481	6-1437648-1	3	1.03	1,26	1,14	1,07	0,972
571-614376487	6-1437648-7	4	1.35	1,77	1,59	1,45	1,37
571-714376484	7-1437648-4	5	1.68	2,25	2,06	1,93	1,63
571-814376480	8-1437648-0	6	2.00	2,59	2,32	2,22	2,06
571-814376486	8-1437648-6	7	2.33	2,96	2,67	2,52	2,28
571-914376481	9-1437648-1	8	2.65	2,33	2,21	2,10	1,99
571-14376491	1437649-1	9	2.98	3,99	3,61	3,41	3,09
571-14376495	1437649-5	10	3.30	4,99	4,74	4,50	4,28

.375" PITCH, TRI-BARRIER, SINGLE ROW

- UL94V-0
- 25A rating
- 12-22 AWG
- Housing Material: Polypropylene
- #6-32 screws on .375" centers
- Printed Circuit Pin, Vertical
- Phil-slot head

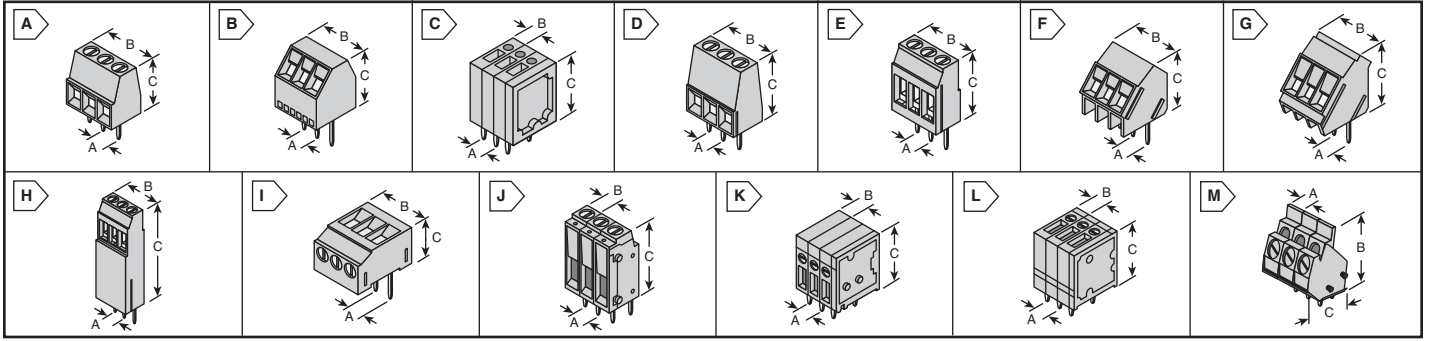
For quantities greater than listed, call for quote.

MOUSER STOCK NO.	TE Part No.	No. of Positions	Length (in.)	Price Each			
				1	25	50	100
571-314376529	3-1437652-9	2	.815	0,76	0,72	0,686	0,652
571-514376524	5-1437652-4	3	1.19	1,10	1,05	1,00	0,951
571-614376527	6-1437652-7	4	1.56	1,39	1,32	1,25	1,19
571-814376522	8-1437652-2	5	1.94	2,16	1,96	1,80	1,74
571-914376525	9-1437652-5	6	2.31	1,83	1,73	1,64	1,56
571-114376533	1-1437653-3	8	3.06	3,30	2,96	2,83	2,64
571-214376535	2-1437653-5	9	3.44	3,31	3,14	3,02	2,77
571-314376535	3-1437653-5	10	3.81	2,86	2,72	2,58	2,45
571-514376531	5-1437653-1	12	4.56	4,80	4,32	4,11	3,84
571-614376538	6-1437653-8	14	5.31	4,81	4,56	4,34	4,12
571-814376530	8-1437653-0	16	6.06	5,59	5,34	4,79	4,51

PHOENIX CONTACT Terminal Blocks



RoHS Compliant This product is RoHS compliant.



ONE PIECE DESIGN W/ SCREW CLAMP TERMINATION

Single Level, Through-Hole Solder Mounting

• RoHS Compliant per Phoenix documentation For quantities greater than listed, call for quote.

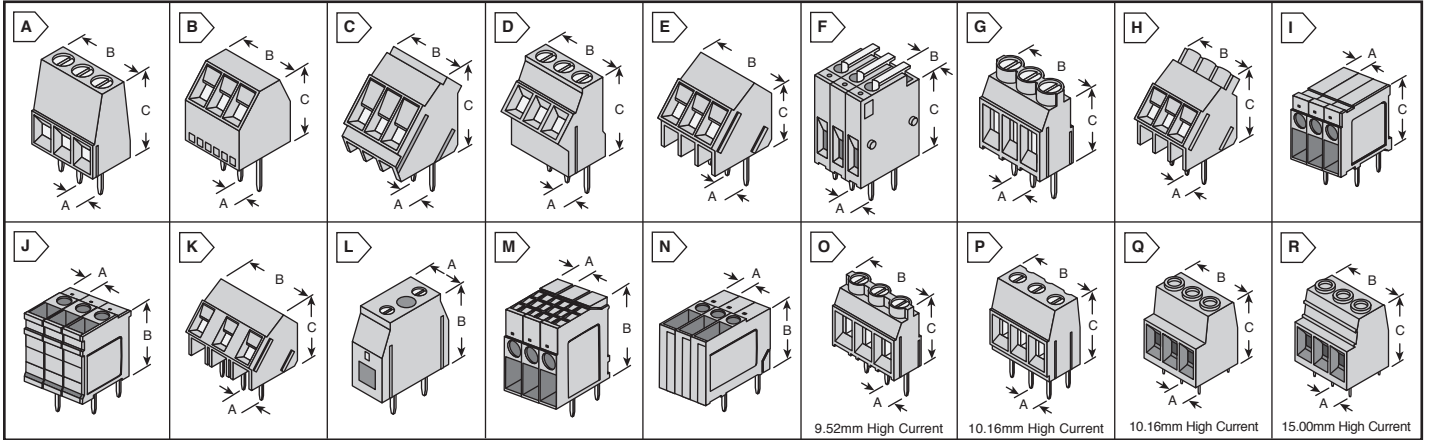
MOUSER STOCK NO.	Fig.	Phoenix Type	Pos.	Dimensions: mm			Price Each		
				A	B	C	1	10	50
2.54mm PCB Terminal Blocks - 90° Wire-to-Pin Orientation, UL: 125V @ 6A, 30-20 AWG, Green Color									
651-1725656	A	MPT 0.5/2-2.54	2	2.54	5.54	8.5	0,95	0,891	0,748
651-1725669	A	MPT 0.5/3-2.54	3	2.54	8.08	8.5	1,43	1,34	1,14
651-1725672	A	MPT 0.5/4-2.54	4	2.54	10.62	8.5	1,91	1,81	1,53
651-1725685	A	MPT 0.5/5-2.54	5	2.54	13.16	8.5	2,39	2,19	1,88
651-1725698	A	MPT 0.5/6-2.54	6	2.54	15.70	8.5	2,79	2,66	2,27
651-1725708	A	MPT 0.5/7-2.54	7	2.54	18.24	8.5	3,32	3,16	2,68
651-1725711	A	MPT 0.5/8-2.54	8	2.54	20.78	8.5	3,79	3,53	3,16
651-1725724	A	MPT 0.5/9-2.54	9	2.54	23.32	8.5	4,27	4,06	3,39
651-1725737	A	MPT 0.5/10-2.54	10	2.54	25.86	8.5	4,73	4,42	3,77
651-1725740	A	MPT 0.5/11-2.54	11	2.54	28.40	8.5	5,20	4,86	4,15
651-1725753	A	MPT 0.5/12-2.54	12	2.54	30.94	8.5	5,68	5,30	4,52
3.5mm PCB Terminal Blocks - 90° Wire-to-Pin Orientation, UL: 300V @ 10A, 30-16 AWG, Green Color									
651-1751248	A	MKDS 1/2-3.5	2	3.5	7.5	8.5	0,81	0,744	0,63
651-1751251	A	MKDS 1/3-3.5	3	3.5	11	8.5	1,16	1,06	0,916
651-1751264	A	MKDS 1/4-3.5	4	3.5	14.5	8.5	1,54	1,43	1,27
651-1751277	A	MKDS 1/5-3.5	5	3.5	18	8.5	1,93	1,76	1,53
651-1751280	A	MKDS 1/6-3.5	6	3.5	21.5	8.5	2,31	2,10	1,82
651-1751293	A	MKDS 1/7-3.5	7	3.5	25	8.5	2,74	2,54	2,16
651-1751303	A	MKDS 1/8-3.5	8	3.5	28.5	8.5	3,08	2,81	2,43
651-1751316	A	MKDS 1/9-3.5	9	3.5	32	8.5	3,51	3,24	2,77
651-1751329	A	MKDS 1/10-3.5	10	3.5	35.5	8.5	3,85	3,51	3,03
651-1751332	A	MKDS 1/11-3.5	11	3.5	39	8.5	4,30	3,98	3,38
651-1751345	A	MKDS 1/12-3.5	12	3.5	42.5	8.5	4,68	4,32	3,69
3.5mm PCB Terminal Blocks - 55° Wire-to-Pin Orientation, UL: 300V @ 10A, 30-16 AWG, Green Color									
651-1751099	B	SMKDS 1/2-3.5	2	3.5	7.5	9.5	0,88	0,809	0,69
651-1751109	B	SMKDS 1/3-3.5	3	3.5	11	9.5	1,35	1,25	1,06
651-1751112	B	SMKDS 1/4-3.5	4	3.5	14.5	9.5	1,79	1,66	1,41
651-1751154	B	SMKDS 1/8-3.5	8	3.5	28.5	9.5	3,56	3,29	2,81
3.81mm PCB Terminal Blocks - 90° Wire-to-Pin Orientation, UL: 300V @ 10A, 30-16 AWG, Green Color									
651-1727010	A	MKDS 1/2-3.81	2	3.81	7.61	8.5	0,78	0,71	0,601
651-1727023	A	MKDS 1/3-3.81	3	3.81	11.42	8.5	1,16	1,06	0,908
651-1727036	A	MKDS 1/4-3.81	4	3.81	15.23	8.5	1,53	1,46	1,21
651-1727049	A	MKDS 1/5-3.81	5	3.81	19.04	8.5	1,91	1,78	1,52
651-1727052	A	MKDS 1/6-3.81	6	3.81	22.85	8.5	2,29	2,14	1,82
651-1727065	A	MKDS 1/7-3.81	7	3.81	26.66	8.5	2,64	2,48	2,12
651-1727078	A	MKDS 1/8-3.81	8	3.81	30.47	8.5	3,04	2,85	2,43
651-1727081	A	MKDS 1/9-3.81	9	3.81	34.28	8.5	3,37	3,19	2,72
651-1727094	A	MKDS 1/10-3.81	10	3.81	38.09	8.5	3,80	3,60	3,06
651-1727117	A	MKDS 1/12-3.81	12	3.81	45.71	8.5	4,55	4,25	3,62
3.81mm PCB Terminal Blocks - 55° Wire-to-Pin Orientation, UL: 300V @ 10A, 30-16 AWG, Green Color									
651-1728284	B	SMKDS 1/2-3.81	2	3.81	7.61	9.5	0,88	0,809	0,69
651-1728297	B	SMKDS 1/3-3.81	3	3.81	11.42	9.5	1,27	1,17	0,993
651-1728307	B	SMKDS 1/4-3.81	4	3.81	15.23	9.5	1,69	1,56	1,34
651-1728323	B	SMKDS 1/6-3.81	6	3.81	22.85	9.5	2,53	2,34	2,30
651-1728349	B	SMKDS 1/8-3.81	8	3.81	30.47	9.5	3,37	3,12	3,07
651-1728352	B	SMKDS 1/9-3.81	9	3.81	34.28	9.5	4,00	3,70	3,14
651-1728365	B	SMKDS 1/10-3.81	10	3.81	38.09	9.5	4,22	3,89	3,81
651-1728378	B	SMKDS 1/11-3.81	11	3.81	41.90	9.5	4,89	4,52	3,85
651-1728381	B	SMKDS 1/12-3.81	12	3.81	45.71	9.5	5,34	4,93	4,21
3.81mm PCB Single Terminal Blocks - Vertical Wire to Pin Orientation, Front Connection, UL: 300V @ 10A, 28-14 AWG, Green Color									
651-1707742	C	FRONT 1.5-V-3.81	1	3.81	3.81	15.3	1,52	1,41	1,19
651-1707755	C	D-FRONT 1.5-V					0,31	0,273	0,238
5mm PCB Reduced Height Terminal Blocks - 90° Wire-to-Pin Orientation, UL: 300V @ 10A, 30-14 AWG, Green Color									
651-1729018	D	MKDSN 1.5/2	2	5	10	10	0,67	0,611	0,526
651-1729021	D	MKDSN 1.5/3	3	5	15	10	0,76	0,65	0,61
651-1729034	D	MKDSN 1.5/4	4	5	20	10	1,03	0,87	0,82
651-1729047	D	MKDSN 1.5/5	5	5	25	10	1,28	1,09	1,02
651-1729050	D	MKDSN 1.5/6	6	5	30	10	1,94	1,82	1,54
651-1729063	D	MKDSN 1.5/7	7	5	35	10	1,78	1,51	1,42
651-1729076	D	MKDSN 1.5/8	8	5	40	10	2,58	2,41	2,05
651-1729089	D	MKDSN 1.5/9	9	5	45	10	2,29	1,95	1,83

Single Level, Through-Hole Solder Mounting (Cont.)

• RoHS Compliant per Phoenix documentation For quantities greater than listed, call for quote.

MOUSER STOCK NO.	Fig.	Phoenix Type	Pos.	Dimensions: mm			Price Each		
				A	B	C	1	10	50
5mm PCB Reduced Height Terminal Blocks - 90° Wire-to-Pin Orientation, UL: 300V @ 10A, 30-14 AWG, Green Color (Cont.)									
651-1729092	D	MKDSN 1.5/10	10	5	50	10	2,53	2,16	2,02
651-1729115	D	MKDSN 1.5/12	12	5	60	10	3,05	2,61	2,44
5mm PCB Reduced Height Terminal Blocks - 55° Wire-to-Pin Orientation, UL: 300V @ 10A, 30-14 AWG, Green Color									
651-1869062	B	SMKDSN 1.5/2	2	5	11	11	0,74	0,69	0,586
651-1869075	B	SMKDSN 1.5/3	3	5	16	11	1,11	1,03	0,871
651-1869088	B	SMKDSN 1.5/4	4	5	21	11	1,47	1,36	1,16
651-1869091	B	SMKDSN 1.5/5	5	5	26	11	1,91	1,77	1,51
651-1869101	B	SMKDSN 1.5/6	6	5	31	11	2,33	2,16	1,83
651-1869114	B	SMKDSN 1.5/7	7	5	36	11	2,58	2,38	2,33
651-1869127	B	SMKDSN 1.5/8	8	5	41	11	3,11	2,87	2,45
651-1869143	B	SMKDSN 1.5/10	10	5	46	11	3,89	3,59	3,05
5mm PCB Terminal Blocks - 90° Wire-to-Pin Orientation, UL: 300V @ 10A, 30-14 AWG, Green Color									
651-1715022	D	MKDS 1.5/2	2	5	10	13.8	0,63	0,53	0,50
651-1715035	D	MKDS 1.5/3	3	5	15	13.8	0,93	0,79	0,74
651-1715048	D	MKDS 1.5/4	4	5	20	13.8	1,51	1,41	1,23
651-1715080	D	MKDS 1.5/8	8	5	40	13.8	2,46	2,10	1,97
651-1715129	D	MKDS 1.5/12	12	5	60	13.8	4,53	4,31	3,67
5mm PCB Reduced Height Terminal Blocks - 90° Wire-to-Pin Orientation, UL: 300V @ 10A, 30-12 AWG, Green Color									
651-1890963	D	MKDSN 2.5/2	2	5	10	15	0,71	0,644	0,549
651-1890976	D	MKDSN 2.5/3	3	5	15	15	1,06	0,949	0,833
651-1890989	D	MKDSN 2.5/4	4	5	20	15	1,41	1,30	1,11
5mm PCB Terminal Blocks - 90° Wire-to-Pin Orientation, UL: 300V @ 10A, 30-12 AWG, Green Color									
651-1711026	E	MKDS 3/2	2	5	10	18	1,22	1,16	0,974
651-1711039	E	MKDS 3/3	3	5	15	18	1,84	1,74	1,48
651-1711042	E	MKDS 3/4	4	5	20	18	2,16	1,86	1,66
651-1711084	E	MKDS 3/8	8	5	40	18	4,88	4,56	3,89
651-1711123	E	MKDS 3/12	12	5	60	18	7,18	6,84	5,83
5mm PCB Terminal Blocks - 35° Wire-to-Pin Orientation with Test Connection, UL: 300V @ 10A, 30-14 AWG, Green Color									
651-1733415	F	SMKDSN 1.5/2	2	5	10	15.3	0,79	0,73	0,627
651-1733428	F	SMKDSN 1.5/3	3	5	15	15.3	1,18	1,09	0,928
651-1733431	F	SMKDSN 1.5/4	4	5	20	15.3	1,57	1,45	1,24
651-1733444	F	SMKDSN 1.5/5	5	5	25	15.3	1,97	1,82	1,55
651-1733457	F	SMKDSN 1.5/6	6	5	30	15.3	2,37	2,18	2,11
651-1733473	F	SMKDSN 1.5/8	8	5	40	15.3	3,16	2,91	2,87
5mm PCB Terminal Blocks - 35° Wire-to-Pin Orientation, UL: 300V @ 10A, 30-14 AWG, Green Color									
651-1713024	G	SMKDS 3/2	2	5	10	18	1,38	1,27	1,08
651-1713037	G	SMKDS 3/3	3	5	15	18	2,06	1,91	1,62
5mm PCB Terminal Blocks - 90° Wire-to-Pin Orientation, Tall Design, UL: 300V @ 15A, 30-12 AWG, Green Color									
651-1721045	H	MKKDSH 3/2	2	5	10	31.5	2,09	1,93	1,64
651-1721346	H	MKKDSH 3/3	3	5	15	31.5	3,13	2,89	2,85
5mm PCB Terminal Blocks - Vertical Wire-to-Pin Orientation, UL: 300V @ 10A, 30-14 AWG, Green Color									
651-1717091	I	MKDSFW 1.5/2	2	5	10	11.2	1,89	1,74	1,48
651-1717088	I	MKDSFW 1.5/3	3	5	15	11.2	2,82	2,61	2,56
5mm PCB Single Terminal Blocks - 90° Wire-to-Pin Orientation, UL: 300V @ 15A, 30-12 AWG, Green Color									
651-1705016	J	KDS 2.5	1	5	5	18	1,53	1,41	1,20
5mm PCB Single Terminal Blocks - 90° Wire to Pin Orientation, Front Connection, UL: 300V @ 10A, 30-12 AWG, Green Color									
651-1700008	K	FRONT 2.5-HSA 5	1	5	5	18.5	1,39	1,29	1,10
651-1700040	K	FRONT 2.5-HSA 10	1	5	5	18.5	1,41	1,29	1,11
651-1700024	-	D-FRONT 2.5-H					0,23	0,22	0,187
5mm PCB Single Terminal Blocks - Vertical Wire to Pin Orientation, Front Connection, UL: 300V @ 10A, 30-12 AWG, Green Color									
651-1700037	L	FRONT 2.5-VSA 5	1	5	5	19.5	1,47	1,35	

PHOENIX CONTACT Terminal Blocks



ONE PIECE DESIGN W/ SCREW CLAMP TERMINATION

Single Level, Through-Hole Solder Mounting

For quantities greater than listed, call for quote.

MOUSER STOCK NO.	Fig.	Phoenix Type	Pos.	Dimensions: mm			Price Each		
				A	B	C	1	10	50
5.08mm PCB Reduced Height Terminal Blocks - 90° Wire-to-Pin Orientation									
UL: 300V @ 10A, 30-14 AWG, Green Color									
651-1729128	A	MKDSN 1.5/2-5.08	2	5.08	10.16	10	0,67	0,611	0,526
651-1729131	A	MKDSN 1.5/3-5.08	3	5.08	15.24	10	1,00	0,924	0,779
651-1729144	A	MKDSN 1.5/4-5.08	4	5.08	20.32	10	1,32	1,23	1,04
651-1729157	A	MKDSN 1.5/5-5.08	5	5.08	25.4	10	1,66	1,53	1,30
651-1729160	A	MKDSN 1.5/6-5.08	6	5.08	30.48	10	1,94	1,82	1,54
651-1729173	A	MKDSN 1.5/7-5.08	7	5.08	35.56	10	2,26	2,10	1,80
651-1729186	A	MKDSN 1.5/8-5.08	8	5.08	40.64	10	2,58	2,41	2,05
651-1729199	A	MKDSN 1.5/9-5.08	9	5.08	45.72	10	2,29	1,95	1,83
651-1729209	A	MKDSN 1.5/10-5.08	10	5.08	50.8	10	3,22	3,01	2,57
651-1729212	A	MKDSN 1.5/11-5.08	11	5.08	55.88	10	2,79	2,38	2,23
651-1729225	A	MKDSN 1.5/12-5.08	12	5.08	60.96	10	3,05	2,61	2,44
5.08mm PCB Reduced Height Terminal Blocks - 145° Wire-to-Pin Orientation									
UL: 300V @ 10A, 30-14 AWG, Green Color									
651-1869211	B	SMKDSN 1.5/2-5.08	2	5.08	11.16	11	0,79	0,727	0,615
651-1869224	B	SMKDSN 1.5/3-5.08	3	5.08	16.24	11	1,17	1,09	0,916
651-1869237	B	SMKDSN 1.5/4-5.08	4	5.08	21.32	11	1,47	1,36	1,16
651-1869240	B	SMKDSN 1.5/5-5.08	5	5.08	26.4	11	1,85	1,71	1,46
651-1869253	B	SMKDSN 1.5/6-5.08	6	5.08	31.48	11	2,22	2,05	2,00
651-1869266	B	SMKDSN 1.5/7-5.08	7	5.08	36.56	11	2,71	2,51	2,14
651-1869279	B	SMKDSN 1.5/8-5.08	8	5.08	41.64	11	2,95	2,72	2,68
651-1869282	B	SMKDSN 1.5/9-5.08	9	5.08	46.72	11	3,49	3,22	2,75
651-1869295	B	SMKDSN 1.5/10-5.08	10	5.08	51.8	11	3,70	3,41	3,36
5.08mm PCB Terminal Blocks - 90° Wire-to-Pin Orientation									
UL: 300V @ 10A, 30-14 AWG, Green Color									
651-1715721	A	MKDS 1.5/2-5.08	2	5.08	10.16	13.8	0,78	0,727	0,617
651-1715734	A	MKDS 1.5/3-5.08	3	5.08	15.24	13.8	1,17	1,11	0,932
651-1715747	A	MKDS 1.5/4-5.08	4	5.08	20.32	13.8	1,56	1,43	1,23
651-1715789	A	MKDS 1.5/8-5.08	8	5.08	40.64	13.8	3,09	2,89	2,46
651-1715802	A	MKDS 1.5/10-5.08	10	5.08	50.8	13.8	3,85	3,60	3,06
651-1715828	A	MKDS 1.5/12-5.08	12	5.08	60.96	13.8	4,62	4,31	3,68
5.08mm PCB Reduced Height Terminal Blocks - 90° Wire-to-Pin Orientation									
UL: 300V @ 10A, 30-12 AWG, Green Color									
651-1888687	A	MKDSN 2.5/2-5.08	2	5.08	10.16	15	0,70	0,644	0,549
651-1888690	A	MKDSN 2.5/3-5.08	3	5.08	15.24	15	1,06	0,982	0,833
651-1888700	A	MKDSN 2.5/4-5.08	4	5.08	20.32	15	1,41	1,30	1,11
5.08mm PCB Terminal Blocks - 90° Wire-to-Pin Orientation									
UL: 300V @ 10A, 30-12 AWG, Green Color									
651-1711725	A	MKDS 3/2-5.08	2	5.08	10.16	18	1,11	0,99	0,916
651-1711738	A	MKDS 3/3-5.08	3	5.08	15.24	18	1,84	1,72	1,46
5.08mm PCB Terminal Blocks - 35° Wire-to-Pin Orientation									
UL: 300V @ 10A, 30-14 AWG, Green Color									
651-1713723	C	SMKDS 3/2-5.08	2	5.08	10.16	18	1,45	1,34	1,14
651-1713736	C	SMKDS 3/3-5.08	3	5.08	15.24	18	2,17	2,01	1,71
5.08mm PCB Terminal Blocks - 40° Wire-to-Pin Orientation									
UL: 300V @ 10A, 30-14 AWG, Green Color									
651-1705469	D	SMKDS 2.5/2-5.08	2	5.08	10.16	19.4	1,22	1,12	0,961
651-1705472	D	SMKDS 2.5/3-5.08	3	5.08	15.24	19.4	2,01	1,86	1,58
5.08mm PCB Terminal Blocks - 35° Wire-to-Pin Orientation with Test Connection									
UL: 300V @ 10A, 30-14 AWG, Green Color									
651-1733570	E	SMKDS 1.5/2-5.08	2	5.08	10.16	15.3	0,84	0,768	0,658
651-1733583	E	SMKDS 1.5/3-5.08	3	5.08	15.24	15.3	1,11	0,99	0,916
651-1733596	E	SMKDS 1.5/4-5.08	4	5.08	20.32	15.3	1,66	1,53	1,30
651-1733606	E	SMKDS 1.5/5-5.08	5	5.08	25.4	15.3	1,97	1,82	1,55
651-1733619	E	SMKDS 1.5/6-5.08	6	5.08	30.48	15.3	2,50	2,31	1,97
651-1733622	E	SMKDS 1.5/7-5.08	7	5.08	35.56	15.3	2,90	2,68	2,29
651-1733635	E	SMKDS 1.5/8-5.08	8	5.08	40.64	15.3	3,33	3,08	2,63
651-1733651	E	SMKDS 1.5/10-5.08	10	5.08	50.8	15.3	4,13	3,82	3,25
5.08mm PCB Terminal Blocks - 90° Wire-to-Pin Orientation, Knife Disconnect									
UL: 300V @ 15A, 28-12 AWG, Green Color									
651-1780015	F	KDS 3-MT	1	5.08	5.08	24.8	3,65	3,37	2,87

* RoHS compliant per Phoenix documentation



RoHS Compliant

Single Level, Through-Hole Solder Mounting (Cont.)

For quantities greater than listed, call for quote.

MOUSER STOCK NO.	Fig.	Phoenix Type	Pos.	Dimensions: mm			Price Each		
				A	B	C	1	10	50
6.35mm PCB Terminal Blocks - 90° Wire-to-Pin Orientation									
UL: 150V @ 15A and 300V @ 10A, 30-12 AWG, Green Color									
651-1714955	G	MKDS 5/2-6.35	2	6.35	12.69	21.5	1,15	1,06	0,932
651-1714968	G	MKDS 5/3-6.35	3	6.35	19.04	21.5	1,44	1,29	1,22
6.35mm PCB Terminal Blocks - 35° Wire-to-Pin Orientation									
UL: 300V @ 30A, 22-10 AWG, Green Color									
651-1720033	H	SMKDS 5/2-6.35	2	6.35	12.69	21.5	1,18	1,08	0,924
651-1720046	H	SMKDS 5/3-6.35	3	6.35	19.05	21.5	1,83	1,69	1,44
6.35mm PCB Single Terminal Blocks - Front Connection									
UL: 300V @ 30A, 22-10 AWG, Green Color									
651-1703050	I	FRONT 4-H-6.35	1	6.35	26	---	2,78	2,56	2,52
651-1703063	J	FRONT 4-V-6.35	1	6.35	26	---	2,76	2,55	2,51
651-1703076	-	D-FRONT 4-6.35	-	-	-	-	0,38	0,35	0,301
7.5mm PCB Terminal Blocks - 90° Wire-to-Pin Orientation									
UL: 300V @ 10A, 30-14 AWG, Green Color									
651-1717020	A	GMKDS 1.5/2	2	7.5	15	13.8	1,58	1,46	1,25
651-1717033	A	GMKDS 1.5/3	3	7.5	22.5	13.8	2,37	2,18	2,11
7.5mm PCB Terminal Blocks - 35° Wire-to-Pin Orientation									
UL: 300V @ 10A, 30-14 AWG, Green Color									
651-1718029	K	GSMKDSP 1.5/2	2	7.5	15	15.3	1,77	1,64	1,39
651-1718032	K	GSMKDSP 1.5/3	3	7.5	22.5	15.3	2,64	2,44	2,08
7.5mm PCB Single Terminal Blocks - 90° Wire-to-Pin Orientation, Feed-Through									
UL: 300V @ 30A, 30-10 AWG, Green Color									
651-1780507	L	KDS 4	1	7.5	18	---	2,62	2,42	2,06
7.62mm PCB Terminal Blocks - 90° Wire-to-Pin Orientation									
UL: 300V @ 10A, 30-14 AWG, Green Color									
651-1717729	A	GMKDS 1.5/2-7.62	2	7.62	15.24	13.8	1,66	1,53	1,30
651-1717732	A	GMKDS 1.5/3-7.62	3	7.62	22.86	13.8	2,50	2,31	1,97
7.62mm PCB Terminal Blocks - 35° Wire-to-Pin Orientation									
UL: 300V @ 10A, 30-14 AWG, Green Color									
651-1718728	K	GSMKDSP 1.5/2-7.62	2	7.62	15.24	15.3	1,11	1,02	0,866
651-1718731	K	GSMKDSP 1.5/3-7.62	3	7.62	22.86	15.3	1,66	1,53	1,30
7.62mm PCB Single Terminal Blocks - Front Connection									
UL: 300V @ 30A, 24-10 AWG, Green Color									
651-1703034	M	FRONT 4-H-7.62	1	7.62	28.4	---	2,84	2,62	2,58
651-1703021	N	FRONT 4-V-7.62	1	7.62	26	---	2,82	2,61	2,56
9.52mm PCB Terminal Blocks - 90° Wire-to-Pin Orientation									
UL: 300V @ 30A and 600V @ 5A, 30-12 AWG, Green Color									
651-1714971	O	MKDS 5/2-9.52	2	9.52	19.04	21.5	1,16	1,07	0,932
651-1714984	O	MKDS 5/3-9.52	3	9.52	28.56	21.5	1,69	1,61	1,39
9.52mm PCB Terminal Blocks - 90° Wire-to-Pin Orientation with Offset Pins									
UL: 600V @ 30A, 30-10 AWG, Green Color									
651-1907432	O	MKDS 5 HV/2-9.52-Z	2	9.52	19.04	21.5	1,10	0,982	0,916
651-1907429	O	MKDS 5 HV/3-9.52-Z	3	9.52	28.56	21.5	1,88	1,69	1,58
10.16mm PCB Terminal Blocks - 90° Wire-to-Pin Orientation									
UL: 300V @ 57A, 20-6 AWG, Green Color									
651-1773976	P	MKDSP 10N/2-10.16	2	10.16	20.32	29.30	5,84	5,30	4,89
651-1929517	Q	MKDSP 10HV/2-10.16	2	10.16	20.32	30.80	7,42	6,85	5,83
651-1929520	Q	MKDSP 10HV/3-10.16	3	10.16	30.48	30.80	8,82	8,92	8,23
15.00mm PCB Terminal Blocks - 90° Wire-to-Pin Orientation									
UL: 600V @ 125A, 20-2AWG, Green Color									
651-1932588	R	MKDSP 25/2-15.00	2	15.00	30.00	39.00	7,66	7,10	6,06
651-1932591	R	MKDSP 25/3-15.00	3	15.00	45.00	39.00	11,46	10,43	9,08
651-1932601	R	MKDSP 25/4-15.00	4	15.00	60.00	39.00	12,52	11,87	10,96
651-1932614	R	MKDSP 25/5-15.00	5	15.00	75.00	39.00	18,82	16,92	15,11
651-1932627	R	MKDSP 25/6-15.00	6	15.00	90.00	39.00	22,59	21,08	18,14

PHOENIX CONTACT 5.0mm Economy Terminal Blocks



RoHS Compliant This product is RoHS compliant.

5.0MM PIN-STRIP PLUGS WITH RISING CAGE

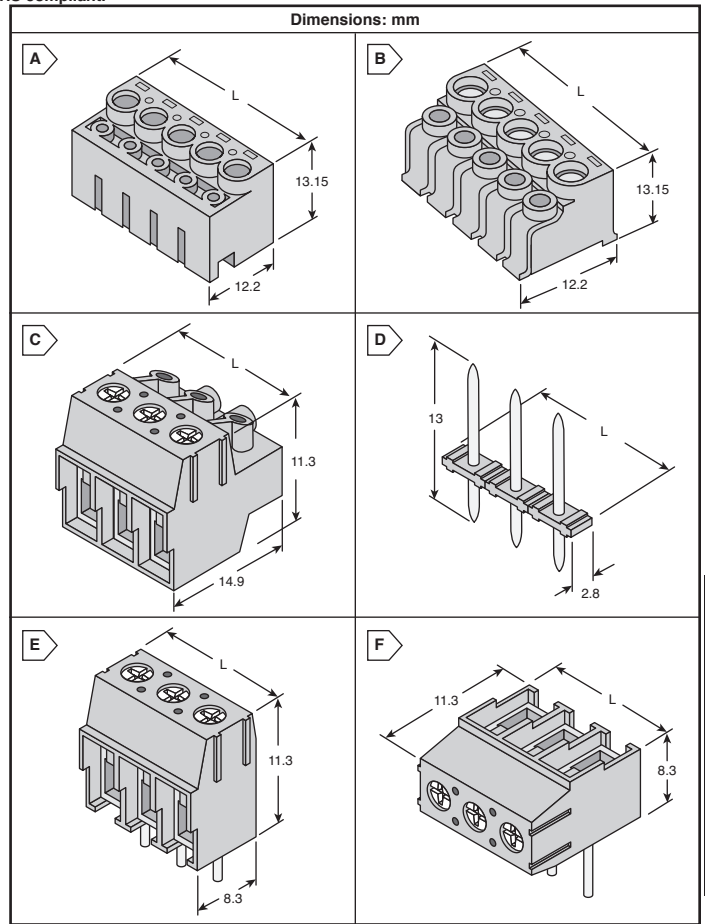
- Rising-cage screw termination
- Mono-block design
- Mates with standard pin strip headers
- Wide insertion funnel for blind mating (PT Clip)
- 26 - 12 AWG
- Centerline: 5.0 mm
- Current rating: 10 A
- Voltage rating: 250 V



RoHS Compliant

For quantities greater than listed, call for quote.

MOUSER STOCK NO.		Fig.	Phoenix Type	Pos.	Length (mm)	Price Each			
Mfr	Mfr. Part No.					1	50	100	250
Standard Version									
651-1755583		A	PT 1,5/ 2-PH-5,0	2	10	0,35	0,325	0,29	0,272
651-1755596		A	PT 1,5/ 3-PH-5,0	3	15	0,56	0,52	0,475	0,421
651-1755606		A	PT 1,5/ 4-PH-5,0	4	20	0,72	0,641	0,587	0,543
651-1755619		A	PT 1,5/ 5-PH-5,0	5	25	0,90	0,791	0,72	0,676
651-1755622		A	PT 1,5/ 6-PH-5,0	6	30	1,09	0,974	0,883	0,815
651-1755635		A	PT 1,5/ 7-PH-5,0	7	35	1,26	1,12	1,02	0,949
651-1755648		A	PT 1,5/ 8-PH-5,0	8	40	1,44	1,29	1,17	1,08
651-1755651		A	PT 1,5/ 9-PH-5,0	9	45	1,62	1,44	1,30	1,21
651-1755664		A	PT 1,5/10-PH-5,0	10	50	1,80	1,59	1,45	1,35
651-1755677		A	PT 1,5/11-PH-5,0	11	55	1,99	1,77	1,61	1,49
651-1755680		A	PT 1,5/12-PH-5,0	12	60	2,16	1,92	1,76	1,63
651-1755693		A	PT 1,5/13-PH-5,0	13	65	2,33	2,07	1,88	1,75
651-1755703		A	PT 1,5/14-PH-5,0	14	70	2,53	2,25	2,05	1,91
651-1755716		A	PT 1,5/15-PH-5,0	15	75	2,71	2,40	2,19	2,04
651-1755729		A	PT 1,5/16-PH-5,0	16	80	2,88	2,57	2,33	2,17
PT Clip Version - Industry Standard Footprint with Retention Fingers									
651-1755732		B	PT 1,5/2-PH-5,0 CLIP	2	10	0,34	0,309	0,283	0,266
651-1755745		B	PT 1,5/3-PH-5,0 CLIP	3	15	0,51	0,433	0,416	0,38
651-1755758		B	PT 1,5/4-PH-5,0 CLIP	4	20	0,68	0,619	0,601	0,566
651-1755761		B	PT 1,5/5-PH-5,0 CLIP	5	25	0,81	0,717	0,654	0,61
651-1755774		B	PT 1,5/6-PH-5,0 CLIP	6	30	0,97	0,858	0,787	0,724
651-1755787		B	PT 1,5/7-PH-5,0 CLIP	7	35	1,12	0,998	0,908	0,85
651-1755790		B	PT 1,5/8-PH-5,0 CLIP	8	40	1,30	1,16	1,06	0,982
651-1755800		B	PT 1,5/9-PH-5,0 CLIP	9	45	1,46	1,30	1,18	1,10
651-1755813		B	PT 1,5/10-PH-5,0 CLIP	10	50	1,63	1,44	1,31	1,22
651-1755826		B	PT 1,5/11-PH-5,0 CLIP	11	55	1,77	1,58	1,44	1,34
651-1755839		B	PT 1,5/12-PH-5,0 CLIP	12	60	1,96	1,74	1,58	1,47
651-1755842		B	PT 1,5/13-PH-5,0 CLIP	13	65	2,35	2,22	2,03	1,85
651-1755855		B	PT 1,5/14-PH-5,0 CLIP	14	70	2,27	2,02	1,83	1,70
651-1755868		B	PT 1,5/15-PH-5,0 CLIP	15	75	2,43	2,17	1,96	1,82
651-1755871		B	PT 1,5/16-PH-5,0 CLIP	16	80	2,60	2,31	2,10	1,96



5.0MM PLUGGABLE-SCREW TERMINAL BLOCKS WITH WIRE PROTECTION

- RoHS compliant per Phoenix documentation
- Plug can mount Horizontally or Vertically
- End to end stackable with dove tail design
- Clamping screws have combination screw head
- Insulation Material: Polyamide - UL94V-0

- Terminal Block Color: Green
- Max Voltage: 300V
- Max Current: 10A
- Wire Size: 26-12AWG



RoHS Compliant

For quantities greater than listed, call for quote.

MOUSER STOCK NO.		Fig.	Phoenix Type	Pos.	Length (mm)	Price Each			
Mfr	Mfr. Part No.					1	50	100	250
Terminal Block Plugs - Green									
651-1934861		C	PT 1.5/2-PVH-5.0	2	10	0,31	0,308	0,308	0,308
651-1934874		C	PT 1.5/3-PVH-5.0	3	15	0,46	0,462	0,462	0,462
651-1934887		C	PT 1.5/4-PVH-5.0	4	20	0,62	0,615	0,615	0,615
651-1934890		C	PT 1.5/5-PVH-5.0	5	25	1,56	1,26	1,15	1,06
651-1934900		C	PT 1.5/6-PVH-5.0	6	30	1,88	1,52	1,38	1,03
651-1934913		C	PT 1.5/7-PVH-5.0	7	35	1,96	1,78	1,61	1,46
651-1934926		C	PT 1.5/8-PVH-5.0	8	40	1,25	1,07	1,00	0,95
651-1934939		C	PT 1.5/9-PVH-5.0	9	45	1,16	1,07	0,951	0,838
651-1934942		C	PT 1.5/10-PVH-5.0	10	50	1,27	1,17	1,00	0,92
651-1934955		C	PT 1.5/11-PVH-5.0	11	55	1,41	1,30	1,11	1,03
651-1934968		C	PT 1.5/12-PVH-5.0	12	60	3,00	2,98	2,56	2,35
651-1934971		C	PT 1.5/13-PVH-5.0	13	65	1,66	1,53	1,31	1,21
651-1934984		C	PT 1.5/14-PVH-5.0	14	70	1,96	1,81	1,54	1,43
651-1934997		C	PT 1.5/15-PVH-5.0	15	75	3,75	3,49	3,21	2,95
651-1935006		C	PT 1.5/16-PVH-5.0	16	80	4,46	3,72	3,44	3,14
(THR) High-Temp. Pin Strip Headers (Reflow Compatible) - Black - Solder Tail Length: 3.5mm									
651-1933189		D	PST 1.3/2-5.0	2	10	0,12	0,097	0,085	0,085
651-1933192		D	PST 1.3/3-5.0	3	15	0,19	0,158	0,141	0,135
651-1933202		D	PST 1.3/4-5.0	4	20	0,25	0,225	0,191	0,178
651-1933215		D	PST 1.3/5-5.0	5	25	0,39	0,30	0,27	0,248
651-1933228		D	PST 1.3/6-5.0	6	30	0,41	0,36	0,337	0,288
651-1933231		D	PST 1.3/7-5.0	7	35	0,39	0,35	0,317	0,285
651-1933244		D	PST 1.3/8-5.0	8	40	0,55	0,50	0,457	0,395
651-1933257		D	PST 1.3/9-5.0	9	45	0,48	0,44	0,391	0,35
651-1933260		D	PST 1.3/10-5.0	10	50	0,69	0,62	0,577	0,504
651-1933273		D	PST 1.3/11-5.0	11	55	0,62	0,57	0,488	0,456
651-1933286		D	PST 1.3/12-5.0	12	60	0,83	0,75	0,694	0,635
651-1933299		D	PST 1.3/13-5.0	13	65	0,71	0,65	0,562	0,521
651-1933309		D	PST 1.3/14-5.0	14	70	0,76	0,70	0,602	0,554
651-1933312		D	PST 1.3/15-5.0	15	75	0,82	0,75	0,64	0,594
651-1933325		D	PST 1.3/16-5.0	16	80	0,86	0,78	0,737	0,676

5.0MM FIXED-SCREW TERMINAL BLOCKS WITH WIRE PROTECTION

- RoHS compliant per Phoenix documentation
- Color: Green
- End to end stackable with dove tail design
- Clamping screws have combination screw head
- Insulation Material: Polyamide - UL94V-0
- Max Voltage: 300V

- Max Current: 10A
- Wire Size: 26-12AWG
- Lead Length: 3.5mm



RoHS Compliant

For quantities greater than listed, call for quote.

MOUSER STOCK NO.		Fig.	Phoenix Type	Pos.	Length (mm)	Price Each			
Mfr	Mfr. Part No.					1	50	100	250
Horizontal Mounting									
651-1935161		E	PT 1.5/2-5.0-H	2	10	0,30	0,266	0,233	0,215
651-1935174		E	PT 1.5/3-5.0-H	3	15	0,43	0,41	0,384	0,349
651-1935187		E	PT 1.5/4-5.0-H	4	20	0,53	0,49	0,458	0,422
651-1935190		E	PT 1.5/5-5.0-H	5	25	0,79	0,71	0,645	0,59
651-1935200		E	PT 1.5/6-5.0-H	6	30	0,95	0,85	0,778	0,712
651-1935213		E	PT 1.5/7-5.0-H	7	35	0,92	0,85	0,724	0,667
651-1935226		E	PT 1.5/8-5.0-H	8	40	1,06	0,97	0,838	0,773
651-1935239		E	PT 1.5/9-5.0-H	9	45	1,19	1,10	0,936	0,863
651-1935242		E	PT 1.5/10-5.0-H	10	50	1,34	1,24	1,05	0,977
651-1935268		E	PT 1.5/12-5.0-H	12	60	1,60	1,47	1,25	1,16
651-1935271		E	PT 1.5/13-5.0-H	13	65	1,72	1,59	1,35	1,25
651-1935284		E	PT 1.5/14-5.0-H	14	70	1,87	1,73	1,47	1,36
651-1935297		E	PT 1.5/15-5.0-H	15	75	1,99	1,83	1,56	1,44
651-1935307		E	PT 1.5/16-5.0-H	16	80	2,13	1,97	1,68	1,56
Vertical Mounting									
651-1935310		F	PT 1.5/2-5.0-V	2	10	0,52	0,39	0,367	0,277
651-1935323		F	PT 1.5/3-5.0-V	3	15	0,71	0,60	0,561	0,426
651-1935336		F	PT 1.5/4-5.0-V	4	20	1,05	0,81	0,754	0,575
651-1935349		F	PT 1.5/5-5.0-V	5	25	0,74	0,68	0,578	0,537
651-1935352		F	PT 1.5/6-5.0-V	6	30	1,07	0,96	0,873	0,795
651-1935365		F	PT 1.5/7-5.0-V	7	35	1,04	0,96	0,814	0,757
651-1935378		F	PT 1.5/8-5.0-V	8	40	1,19	1,10	0,936	0,863
651-1935381		F	PT 1.5/9-5.0-V	9	45	1,35	1,25	1,06	0,985
651-1935394		F	PT 1.5/10-5.0-V	10	50	1,49	1,38	1,17	1,08
651-1935433		F	PT 1.5/14-5.0-V	14	70	2,10	1,94	1,65	1,53
651-1935459		F	PT 1.5/16-5.0-V	16	80	2,93	2,33	2,14	1,95

PHOENIX CONTACT 3.5mm Economy Terminal Blocks



RoHS Compliant This product is RoHS compliant.

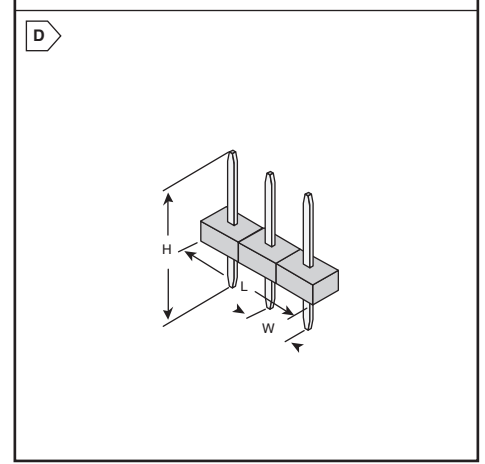
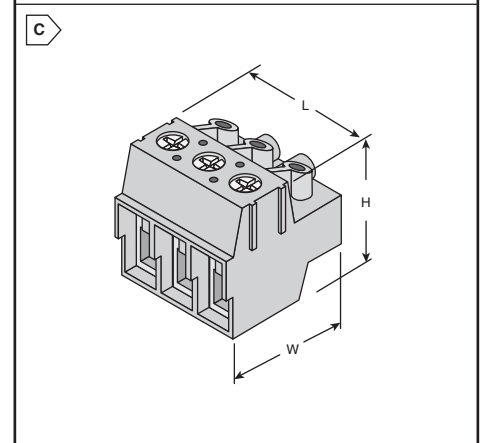
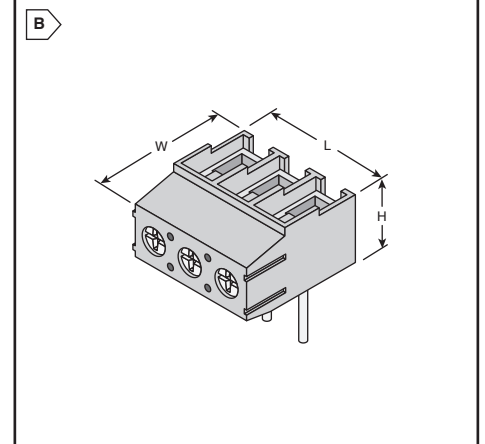
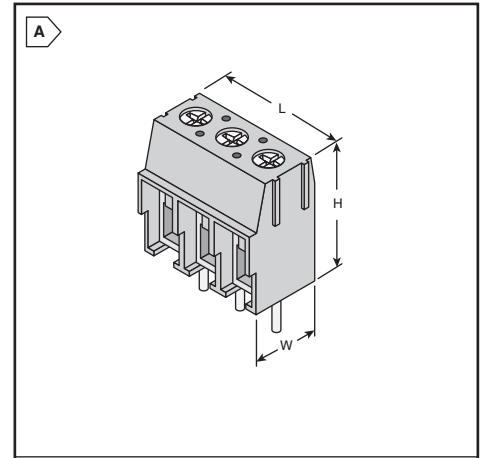
3.5MM FIXED COMPACT PCB TERMINAL BLOCKS WITH SCREW CONNECTION

- RoHS Compliant per Phoenix Documentation
- End to end stackable with dove tail design
- Clamping screws have combination screw head
- Insulation Material: Polyamide - UL94V-0
- Color: Green
- Max Voltage: 300V
- Max Current: 10A
- Wire Size: 26 -16AWG



For quantities greater than listed, call for quote.

MOUSER STOCK NO.		Fig.	Phoenix Type	No. of Pos.	Dimensions: mm			Price Each				
Mfr	Mfr. Part No.				L	W	H	1	50	100	250	500
Horizontal Mounting												
651—1984617		A	PT 1.5/2-3.5H	2	7.0	7.6	9.2	0,52	0,40	0,37	0,28	0,258
651—1984620		A	PT 1.5/3-3.5H	3	10.5	7.6	9.2	0,72	0,61	0,565	0,43	0,406
651—1984633		A	PT 1.5/4-3.5H	4	14.0	7.6	9.2	0,96	0,82	0,76	0,58	0,557
651—1984646		A	PT 1.5/5-3.5H	5	17.5	7.6	9.2	0,74	0,68	0,578	0,537	0,505
651—1984659		A	PT 1.5/6-3.5H	6	21.0	7.6	9.2	1,06	0,95	0,87	0,792	0,751
651—1984662		A	PT 1.5/7-3.5H	7	24.5	7.6	9.2	1,04	0,96	0,814	0,757	0,708
651—1984675		A	PT 1.5/8-3.5H	8	28.0	7.6	9.2	1,19	1,10	0,936	0,863	0,814
651—1984688		A	PT 1.5/9-3.5H	9	31.5	7.6	9.2	1,35	1,25	1,06	0,985	0,928
651—1984691		A	PT 1.5/10-3.5H	10	35.0	7.6	9.2	1,49	1,38	1,17	1,08	1,02
651—1984701		A	PT 1.5/11-3.5H	11	38.5	7.6	9.2	1,63	1,50	1,28	1,18	1,12
651—1984714		A	PT 1.5/12-3.5H	12	42.0	7.6	9.2	1,91	1,76	1,62	1,48	1,40
651—1984727		A	PT 1.5/13-3.5H	13	45.5	7.6	9.2	1,93	1,78	1,51	1,40	1,32
651—1984730		A	PT 1.5/14-3.5H	14	49.0	7.6	9.2	2,10	1,94	1,65	1,53	1,44
651—1984743		A	PT 1.5/15-3.5H	15	52.5	7.6	9.2	2,38	2,13	1,95	1,79	1,67
651—1984756		A	PT 1.5/16-3.5H	16	56.0	7.6	9.2	2,54	2,33	2,18	1,99	1,88
Vertical Mounting												
651—1984769		B	PT 1.5/2-3.5V	2	7.0	9.2	7.6	0,52	0,44	0,409	0,31	0,287
651—1984772		B	PT 1.5/3-3.5V	3	10.5	9.2	7.6	0,86	0,66	0,617	0,47	0,448
651—1984785		B	PT 1.5/4-3.5V	4	14.0	9.2	7.6	1,05	0,90	0,838	0,64	0,594
651—1984798		B	PT 1.5/5-3.5V	5	17.5	9.2	7.6	0,98	0,88	0,80	0,734	0,692
651—1984808		B	PT 1.5/6-3.5V	6	21.0	9.2	7.6	1,18	1,06	0,97	0,893	0,841
651—1984811		B	PT 1.5/7-3.5V	7	24.5	9.2	7.6	1,16	1,07	0,904	0,838	0,79
651—1984824		B	PT 1.5/8-3.5V	8	28.0	9.2	7.6	1,32	1,21	1,03	0,952	0,904
651—1984837		B	PT 1.5/9-3.5V	9	31.5	9.2	7.6	1,47	1,36	1,16	1,07	1,01
651—1984840		B	PT 1.5/10-3.5V	10	35.0	9.2	7.6	1,64	1,51	1,29	1,19	1,12
651—1984853		B	PT 1.5/11-3.5V	11	38.5	9.2	7.6	1,93	1,79	1,64	1,52	1,42
651—1984866		B	PT 1.5/12-3.5V	12	42.0	9.2	7.6	1,96	1,81	1,55	1,43	1,34
651—1984879		B	PT 1.5/13-3.5V	13	45.5	9.2	7.6	2,15	1,98	1,69	1,56	1,47
651—1984905		B	PT 1.5/16-3.5V	16	56.0	9.2	7.6	2,82	2,62	2,42	2,22	2,08



Terminal Blocks

Phoenix Contact

3.5MM PLUGGABLE COMPACT PCB TERMINAL BLOCKS WITH SCREW CONNECTION

- RoHS Compliant per Phoenix Documentation
- Plug can mount Horizontally or Vertically
- End to end stackable with dove tail design
- Clamping screws have combination screw head
- Insulation Material: Polyamide - UL94V-0
- Color: Green
- Max Voltage: 300V
- Max Current: 10A
- Wire Size: 26 - 16AWG



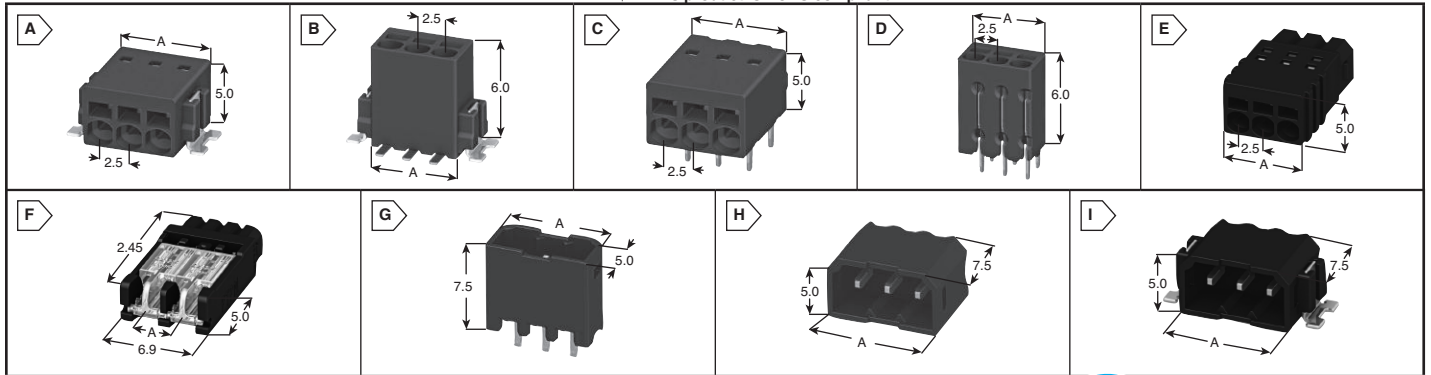
For quantities greater than listed, call for quote.

MOUSER STOCK NO.		Fig.	Phoenix Type	No. of Pos.	Dimensions: mm			Price Each				
Mfr	Mfr. Part No.				L	W	H	1	50	100	250	500
Horizontal / Vertical Terminal Block Plugs												
651—1984015		C	PT 1.5/2-PVH-3.5	2	7.0	14.6	11.1	0,34	0,335	-	-	0,31
651—1984028		C	PT 1.5/3-PVH-3.5	3	10.5	14.6	11.1	0,50	0,503	-	-	0,465
651—1984031		C	PT 1.5/4-PVH-3.5	4	14.0	14.6	11.1	0,67	0,671	-	-	0,62
651—1984044		C	PT 1.5/5-PVH-3.5	5	17.5	14.6	11.1	0,71	0,65	0,562	0,521	0,488
651—1984057		C	PT 1.5/6-PVH-3.5	6	21.0	14.6	11.1	1,83	1,66	1,51	1,37	1,30
651—1984060		C	PT 1.5/7-PVH-3.5	7	24.5	14.6	11.1	1,03	0,94	0,936	0,889	0,844
651—1984073		C	PT 1.5/8-PVH-3.5	8	28.0	14.6	11.1	2,40	2,22	2,02	1,84	1,73
651—1984086		C	PT 1.5/9-PVH-3.5	9	31.5	14.6	11.1	1,32	1,21	1,03	0,952	0,904
651—1984099		C	PT 1.5/10-PVH-3.5	10	35.0	14.6	11.1	1,47	1,35	1,16	1,07	1,00
651—1984109		C	PT 1.5/11-PVH-3.5	11	38.5	14.6	11.1	1,60	1,48	1,26	1,16	1,10
651—1984112		C	PT 1.5/12-PVH-3.5	12	42.0	14.6	11.1	1,75	1,62	1,38	1,28	1,21
651—1984125		C	PT 1.5/13-PVH-3.5	13	45.5	14.6	11.1	3,55	3,30	3,03	2,79	2,59
651—1984138		C	PT 1.5/14-PVH-3.5	14	49.0	14.6	11.1	4,46	3,56	3,27	2,98	2,80
651—1984141		C	PT 1.5/15-PVH-3.5	15	52.5	14.6	11.1	2,18	2,01	1,72	1,59	1,50
651—1984154		C	PT 1.5/16-PVH-3.5	16	56.0	14.6	11.1	5,01	3,99	3,66	3,35	3,16
(THR) High-Temperature Pin Strip Headers (Reflow Compatible) - Black- 3.5mm												
651—1945096		D	PST 1.0/2-3.5	2	7.0	3.5	13.0	0,11	0,097	0,085	-	0,079
651—1945106		D	PST 1.0/3-3.5	3	10.5	3.5	13.0	0,16	0,153	0,139	0,135	0,125
651—1945119		D	PST 1.0/4-3.5	4	14.0	3.5	13.0	0,22	0,201	0,178	-	0,165
651—1945122		D	PST 1.0/5-3.5	5	17.5	3.5	13.0	0,38	0,30	0,27	0,248	0,226
651—1945135		D	PST 1.0/6-3.5	6	21.0	3.5	13.0	0,41	0,37	0,338	0,289	0,268
651—1945148		D	PST 1.0/7-3.5	7	24.5	3.5	13.0	0,54	0,43	0,39	0,346	0,325
651—1945151		D	PST 1.0/8-3.5	8	28.0	3.5	13.0	0,55	0,50	0,458	0,395	0,374
651—1945164		D	PST 1.0/9-3.5	9	31.5	3.5	13.0	0,72	0,57	0,522	0,46	0,438
651—1945177		D	PST 1.0/10-3.5	10	35.0	3.5	13.0	0,64	0,63	0,578	0,53	0,506
651—1945180		D	PST 1.0/11-3.5	11	38.5	3.5	13.0	0,62	0,57	0,488	0,456	0,431
651—1945193		D	PST 1.0/12-3.5	12	42.0	3.5	13.0	0,66	0,61	0,529	0,488	0,456
651—1945216		D	PST 1.0/14-3.5	14	49.0	3.5	13.0	1,12	0,89	0,817	0,746	0,698
651—1945229		D	PST 1.0/15-3.5	15	52.5	3.5	13.0	1,03	0,95	0,872	0,80	0,754
651—1945232		D	PST 1.0/16-3.5	16	56.0	3.5	13.0	0,86	0,78	0,737	0,676	0,641

PHOENIX CONTACT Fixed and Pluggable Terminal Blocks



RoHS Compliant This product is RoHS compliant.



2.5MM LOW PROFILE SMT TERMINAL BLOCKS

- Features:**
- Designed to withstand the heat of the reflow process
 - Rugged anchors enable high mating cycles
 - Utilizes the "Pin-in-Paste" Mounting procedure
 - Flat Design; Only 5mm tall
 - Centerline: 2.5mm
 - Spring Cage Wire termination - No special tooling required
 - Full Tape and reel versions available upon request

- Technical Data:**
- Current: up to 6A
 - Voltage: up to 160V
 - Conductor cross-section: solid/stranded up to 0.75mm²
 - Pitch: 2.5mm
 - Height: 5mm

- Applications:**
- LED Lighting
 - Sensors/Actuators
 - Power supplies
 - Space and size critical applications



RoHS Compliant

For quantities greater than listed, call for quote.

MOUSER STOCK NO.	Fig.	Phoenix Type	Position	Dimensions: mm			Price Each		
				A	1	10	50		
Horizontal SMT Mounting									
651-1771020	A	PTSM 0,5/ 2-2,5-H SMD R44	2	5,5	0,47	0,471	0,471		
651-1771033	A	PTSM 0,5/ 3-2,5-H SMD R44	3	8	0,56	0,512	0,487		
651-1771059	A	PTSM 0,5/ 5-2,5-H SMD R44	5	13	0,74	0,677	0,644		
651-1771062	A	PTSM 0,5/ 6-2,5-H SMD R44	6	15,5	0,85	0,776	0,743		
651-1771075	A	PTSM 0,5/ 7-2,5-H SMD R44	7	18	0,89	0,817	0,776		
651-1771088	A	PTSM 0,5/ 8-2,5-H SMD R44	8	20,5	1,00	0,916	0,866		
Vertical SMT Mounting									
651-1771091	B	PTSM 0,5/ 2-2,5-V SMD R44	2	5,5	0,51	0,504	0,504		
651-1771101	B	PTSM 0,5/ 3-2,5-V SMD R44	3	8	0,59	0,545	0,512		
651-1771114	B	PTSM 0,5/ 4-2,5-V SMD R44	4	10,5	0,69	0,679	0,679		
651-1771127	B	PTSM 0,5/ 5-2,5-V SMD R44	5	13	0,76	0,701	0,66		
651-1771130	B	PTSM 0,5/ 6-2,5-V SMD R44	6	15,5	0,87	0,80	0,759		
651-1771143	B	PTSM 0,5/ 7-2,5-V SMD R44	7	18	0,97	0,891	0,842		
651-1771156	B	PTSM 0,5/ 8-2,5-V SMD R44	8	20,5	1,02	0,941	0,891		

2.5MM LOW PROFILE TERMINAL BLOCKS FOR SOLDER REFLOW



RoHS Compliant

For quantities greater than listed, call for quote.

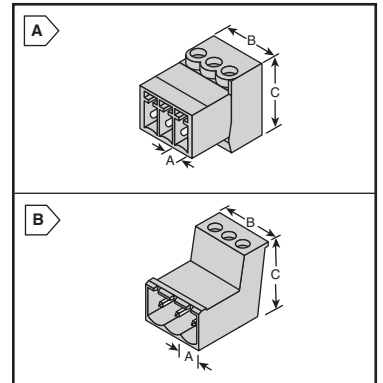
MOUSER STOCK NO.	Fig.	Phoenix Type	Position	Dimensions: mm			Price Each		
				A	1	10	50		
Horizontal Pin-in-Paste									
651-1770885	C	PTSM 0,5/ 2-2,5-H THR R24	2	5,5	0,36	0,322	0,305		
651-1770898	C	PTSM 0,5/ 3-2,5-H THR R32	3	8	0,51	0,47	0,446		
651-1770908	C	PTSM 0,5/ 4-2,5-H THR R32	4	10,5	0,59	0,545	0,512		
651-1770911	C	PTSM 0,5/ 5-2,5-H THR R32	5	13	0,69	0,627	0,602		
651-1770924	C	PTSM 0,5/ 6-2,5-H THR R32	6	15,5	0,85	0,776	0,743		
651-1770937	C	PTSM 0,5/ 7-2,5-H THR R32	7	18	0,97	0,891	0,842		
651-1770940	C	PTSM 0,5/ 8-2,5-H THR R32	8	20,5	1,13	1,04	0,982		
Vertical Pin-in-Paste									
651-1770953	D	PTSM 0,5/ 2-2,5-V THR R44	2	5,5	0,40	0,371	0,355		
651-1770966	D	PTSM 0,5/ 3-2,5-V THR R44	3	8	0,51	0,47	0,446		
651-1770979	D	PTSM 0,5/ 4-2,5-V THR R44	4	10,5	0,64	0,594	0,561		
651-1770982	D	PTSM 0,5/ 5-2,5-V THR R44	5	13	0,76	0,701	0,66		
651-1770995	D	PTSM 0,5/ 6-2,5-V THR R44	6	15,5	0,89	0,817	0,776		
651-1771004	D	PTSM 0,5/ 7-2,5-V THR R44	7	18	1,02	0,941	0,891		
651-1771017	D	PTSM 0,5/ 8-2,5-V THR R44	8	20,5	1,18	1,09	1,03		

3.81MM AND 5.08MM INVERTED PLUGS

- Mates with standard plugs for cable to cable connections
- RoHS Compliant per Phoenix documentation
- Plugs have male pin contacts

For quantities greater than listed, call for quote.

MOUSER STOCK NO.	Fig.	Phoenix Type	Position	Current Rating	Voltage Rating	Dimensions: mm			Price Each		
						A	B	C	1	10	50
3.81mm Terminal Block Inverted Plugs - 180° Socket-to-Pin Orientation - Green Color - 30-14 AWG											
651-1857883	A	IMC 1,5/ 2-ST-3,81	2	8A	300	3,81	8,41	11,10	2,26	2,09	1,97
651-1857896	A	IMC 1,5/ 3-ST-3,81	3	8A	300	3,81	12,22	11,10	3,39	3,13	3,08
651-1857906	A	IMC 1,5/ 4-ST-3,81	4	8A	300	3,81	16,03	11,10	4,74	4,38	3,73
651-1857919	A	IMC 1,5/ 5-ST-3,81	5	8A	300	3,81	19,84	11,10	6,09	5,62	4,79
651-1857922	A	IMC 1,5/ 6-ST-3,81	6	8A	300	3,81	23,65	11,10	7,28	6,72	5,73
651-1857948	A	IMC 1,5/ 8-ST-3,81	8	8A	300	3,81	27,46	11,10	9,45	8,73	7,44
651-1857964	A	IMC 1,5/ 10-ST-3,81	10	8A	300	3,81	35,08	11,10	11,36	10,89	8,58
651-1857980	A	IMC 1,5/ 12-ST-3,81	12	8A	300	3,81	42,70	11,10	13,88	12,80	10,91
5.08mm Terminal Block Inverted Plugs - 180° Socket-to-Pin Orientation - Green Color - 30-12 AWG											
651-1786174	B	IC 2,5/ 2-ST-5,08	2	10A	300	5,08	11,66	15,00	1,93	1,92	1,63
651-1786187	B	IC 2,5/ 3-ST-5,08	3	10A	300	5,08	16,74	15,00	3,15	2,91	2,48
651-1786190	B	IC 2,5/ 4-ST-5,08	4	10A	300	5,08	21,82	15,00	4,03	3,84	3,28
651-1786200	B	IC 2,5/ 5-ST-5,08	5	10A	300	5,08	26,90	15,00	4,80	4,79	4,08
651-1786213	B	IC 2,5/ 6-ST-5,08	6	10A	300	5,08	31,98	15,00	6,28	5,79	4,94
651-1786239	B	IC 2,5/ 8-ST-5,08	8	10A	300	5,08	37,06	15,00	8,36	7,71	6,58
651-1786255	B	IC 2,5/ 10-ST-5,08	10	10A	300	5,08	47,22	15,00	10,43	9,63	8,20
651-1786271	B	IC 2,5/ 12-ST-5,08	12	10A	300	5,08	57,38	15,00	11,57	10,39	9,55

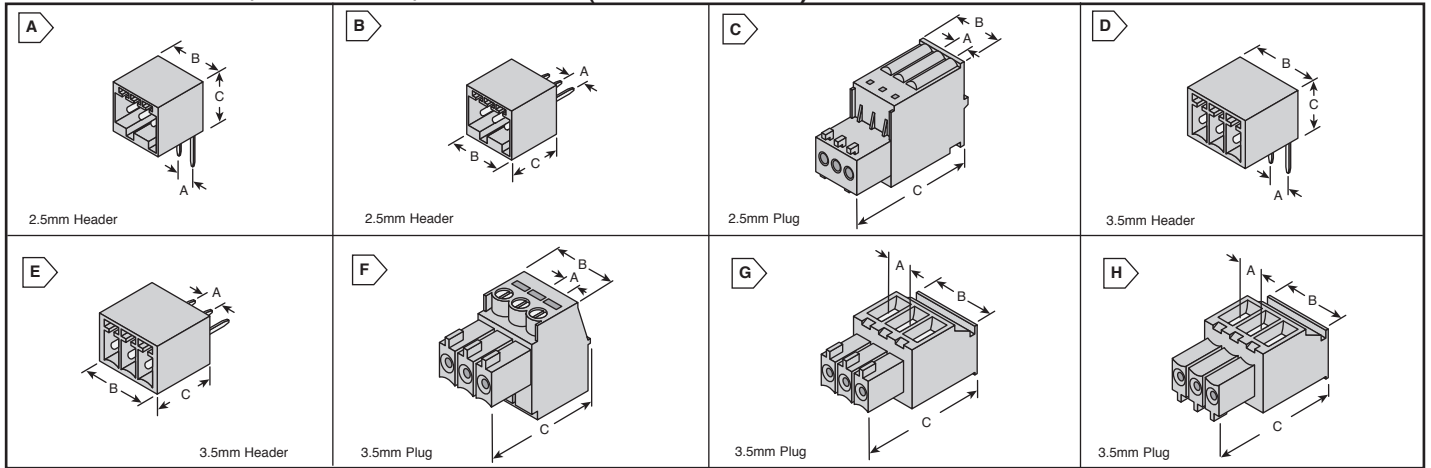


PHOENIX CONTACT Pluggable Terminal Blocks



RoHS Compliant This product is RoHS compliant.

(2.5mm & 3.5mm)



2.5MM HEADERS

• RoHS Compliant per Phoenix documentation

Single Level, Through-Hole Solder Mounting



File# E60425

For quantities greater than listed, call for quote.

MOUSER STOCK NO.		Fig.	Phoenix Type	No. of Pos.	Dimensions: mm			Price Each		
Mfr.	Mfr. Part No.				A	B	C	1	10	50
2.5mm PCB Terminal Block Headers - 90° Socket-to Pin Orientation UL: 125V @ 4A, Green Color										
651-1881448		A	MC 0.5/2-G-2.5	2	2.5	6.9	8.1	0,59	0,545	0,467
651-1881451		A	MC 0.5/3-G-2.5	3	2.5	9.4	8.1	0,86	0,785	0,671
651-1881464		A	MC 0.5/4-G-2.5	4	2.5	11.9	8.1	1,12	1,03	0,891
651-1881477		A	MC 0.5/5-G-2.5	5	2.5	14.4	8.1	1,38	1,27	1,08
651-1881480		A	MC 0.5/6-G-2.5	6	2.5	16.9	8.1	1,72	1,54	1,33
651-1881493		A	MC 0.5/7-G-2.5	7	2.5	19.4	8.1	1,87	1,73	1,48
651-1881503		A	MC 0.5/8-G-2.5	8	2.5	21.9	8.1	1,97	1,77	1,67
651-1881516		A	MC 0.5/9-G-2.5	9	2.5	24.4	8.1	2,41	2,23	1,90
651-1881529		A	MC 0.5/10-G-2.5	10	2.5	26.9	8.1	1,74	1,65	1,58
651-1881545		A	MC 0.5/12-G-2.5	12	2.5	31.9	8.1	2,08	1,98	1,92
2.5mm PCB Terminal Block Headers - 90° Socket-to Pin Orientation UL: 125V @ 4A, Green Color										
651-1881561		B	MCV 0.5/3-G-2.5	3	2.5	9.4	10.1	0,86	0,785	0,671
651-1881574		B	MCV 0.5/4-G-2.5	4	2.5	11.9	10.1	1,09	1,06	0,932
651-1881587		B	MCV 0.5/5-G-2.5	5	2.5	14.4	10.1	1,38	1,27	1,08
651-1881590		B	MCV 0.5/6-G-2.5	6	2.5	16.9	10.1	1,63	1,52	1,29
651-1881600		B	MCV 0.5/7-G-2.5	7	2.5	19.4	10.1	1,88	1,73	1,49
651-1881613		B	MCV 0.5/8-G-2.5	8	2.5	21.9	10.1	1,97	1,77	1,67
651-1881626		B	MCV 0.5/9-G-2.5	9	2.5	24.4	10.1	2,26	2,09	1,52
651-1881639		B	MCV 0.5/10-G-2.5	10	2.5	26.9	10.1	2,55	2,34	2,00
651-1881655		B	MCV 0.5/12-G-2.5	12	2.5	31.9	10.1	3,19	2,95	2,51

2.5MM PLUGS

• RoHS Compliant per Phoenix documentation

Spring Force Wire Termination



File# E60425

For quantities greater than listed, call for quote.

MOUSER STOCK NO.		Fig.	Phoenix Type	No. of Pos.	Dimensions: mm			Price Each		
Mfr.	Mfr. Part No.				A	B	C	1	10	50
2.5mm PCB Terminal Block Plugs - 180° Wire-to-Plug Orientation UL: 125V @ 4A, 28-20AWG, Green Color										
651-1881325		C	FK-MC 0.5/2-ST-2.5	2	2.5	5.6	19.2	1,88	1,73	1,49
651-1881338		C	FK-MC 0.5/3-ST-2.5	3	2.5	8.1	19.2	2,84	2,62	2,23
651-1881341		C	FK-MC 0.5/4-ST-2.5	4	2.5	10.6	19.2	3,77	3,47	2,97
651-1881354		C	FK-MC 0.5/5-ST-2.5	5	2.5	13.1	19.2	4,72	4,35	3,71
651-1881367		C	FK-MC 0.5/6-ST-2.5	6	2.5	15.6	19.2	5,65	5,21	4,45
651-1881370		C	FK-MC 0.5/7-ST-2.5	7	2.5	18.1	19.2	6,59	6,08	5,19
651-1881383		C	FK-MC 0.5/8-ST-2.5	8	2.5	20.6	19.2	7,52	7,09	6,20
651-1881396		C	FK-MC 0.5/9-ST-2.5	9	2.5	23.1	19.2	8,32	7,82	6,67
651-1881406		C	FK-MC 0.5/10-ST-2.5	10	2.5	25.6	19.2	9,27	8,70	7,42
651-1881422		C	FK-MC 0.5/12-ST-2.5	12	2.5	30.6	19.2	11,30	10,43	8,90

3.5MM HEADERS

• RoHS Compliant per Phoenix documentation

Single Level, Through-Hole Solder Mounting



File# E60425

For quantities greater than listed, call for quote.

MOUSER STOCK NO.		Fig.	Phoenix Type	No. of Pos.	Dimensions: mm			Price Each		
Mfr.	Mfr. Part No.				A	B	C	1	10	50
3.5mm PCB Terminal Block Headers - 90° Socket-to Pin Orientation UL: 300V @ 8A, Green Color										
651-1844210		D	MC 1.5/2-G-3.5	2	3.5	8.4	7.25	0,54	0,50	0,431
651-1844223		D	MC 1.5/3-G-3.5	3	3.5	11.9	7.25	0,82	0,75	0,651
651-1844236		D	MC 1.5/4-G-3.5	4	3.5	15.4	7.25	1,09	1,01	0,855
651-1844249		D	MC 1.5/5-G-3.5	5	3.5	18.9	7.25	1,44	1,33	1,13
651-1844252		D	MC 1.5/6-G-3.5	6	3.5	22.4	7.25	1,66	1,54	1,31
651-1844265		D	MC 1.5/7-G-3.5	7	3.5	25.9	7.25	1,99	1,84	1,57

3.5MM HEADERS (CONT.)

• RoHS Compliant per Phoenix documentation

Single Level, Through-Hole Solder Mounting



File# E60425

For quantities greater than listed, call for quote.

MOUSER STOCK NO.		Fig.	Phoenix Type	No. of Pos.	Dimensions: mm			Price Each		
Mfr.	Mfr. Part No.				A	B	C	1	10	50
3.5mm PCB Terminal Block Headers (Cont.) - 90° Socket-to Pin Orientation UL: 300V @ 8A, Green Color										
651-1844278		D	MC 1.5/8-G-3.5	8	3.5	29.4	7.25	2,18	2,01	1,72
651-1844281		D	MC 1.5/9-G-3.5	9	3.5	32.9	7.25	2,48	2,29	2,25
651-1844294		D	MC 1.5/10-G-3.5	10	3.5	36.4	7.25	2,76	2,55	2,51
651-1844317		D	MC 1.5/12-G-3.5	12	3.5	43.4	7.25	3,32	3,06	3,02
3.5mm PCB Terminal Block Headers - 180° Socket-to Pin Orientation UL: 300V @ 8A, Green Color										
651-1843606		E	MCV 1.5/2-G-3.5	2	3.5	8.4	9.2	0,59	0,545	0,466
651-1843619		E	MCV 1.5/3-G-3.5	3	3.5	11.9	9.2	0,87	0,793	0,675
651-1843622		E	MCV 1.5/4-G-3.5	4	3.5	15.4	9.2	1,14	1,05	0,891
651-1843635		E	MCV 1.5/5-G-3.5	5	3.5	18.9	9.2	1,44	1,34	1,14
651-1843648		E	MCV 1.5/6-G-3.5	6	3.5	22.4	9.2	1,73	1,59	1,37
651-1843651		E	MCV 1.5/7-G-3.5	7	3.5	25.9	9.2	2,00	1,85	1,58
651-1843664		E	MCV 1.5/8-G-3.5	8	3.5	29.4	9.2	2,44	2,28	1,97
651-1843677		E	MCV 1.5/9-G-3.5	9	3.5	32.9	9.2	2,80	2,63	2,28
651-1843680		E	MCV 1.5/10-G-3.5	10	3.5	36.4	9.2	3,16	2,97	2,63
651-1843703		E	MCV 1.5/12-G-3.5	12	3.5	43.4	9.2	3,55	3,28	2,80

3.5MM PLUGS

• RoHS Compliant per Phoenix documentation

Screw Clamp Wire Termination



File# E60425

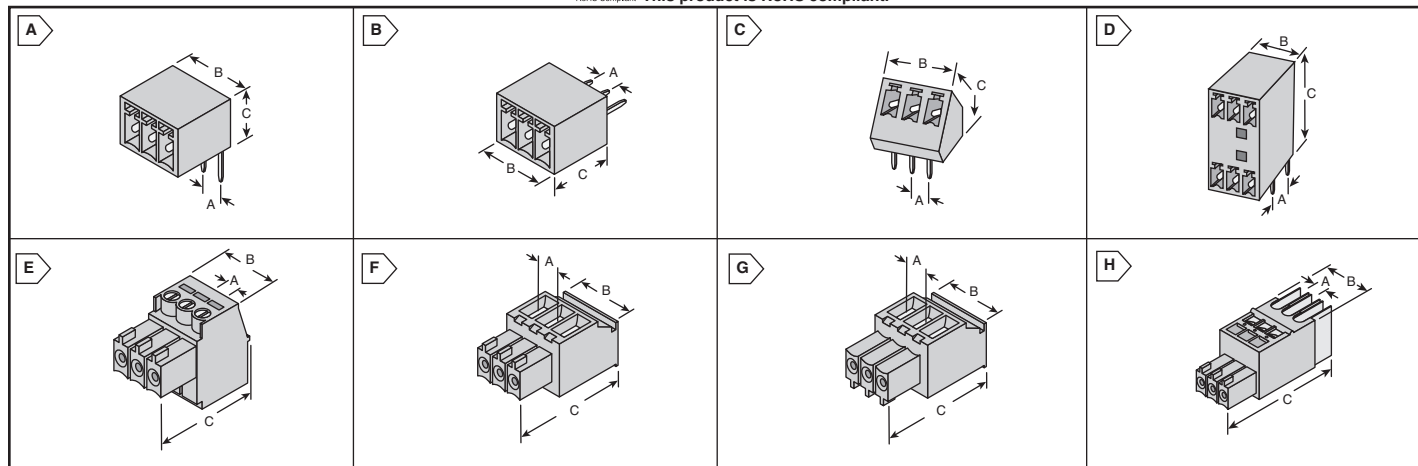
For quantities greater than listed, call for quote.

MOUSER STOCK NO.		Fig.	Phoenix Type	No. of Pos.	Dimensions: mm			Price Each		
Mfr.	Mfr. Part No.				A	B	C	1	10	50
3.5mm PCB Terminal Block Plugs - 180° Wire-to-Plug Orientation UL: 300V @ 8A, 30-14AWG, Green Color										
651-1840366		F	MC 1.5/2-ST-3.5	2	3.5	7	15.5	1,56	1,44	1,23
651-1840379		F	MC 1.5/3-ST-3.5	3	3.5	10.5	15.5	2,33	2,15	2,03
651-1840382		F	MC 1.5/4-ST-3.5	4	3.5	14	15.5	3,09	2,85	2,80
651-1840395		F	MC 1.5/5-ST-3.5	5	3.5	17.5	15.5	3,99	3,65	3,55
651-1840405		F	MC 1.5/6-ST-3.5	6	3.5	21	15.5	4,89	4,51	3,85
651-1840418		F	MC 1.5/7-ST-3.5	7	3.5	24.5	15.5	5,85	5,27	4,64
651-1840421		F	MC 1.5/8-ST-3.5	8	3.5	28	15.5	6,49	6,00	5,11
651-1840434		F	MC 1.5/9-ST-3.5	9	3.5	31.5	15.5	7,33	6,77	5,78
651-1840447		F	MC 1.5/10-ST-3.5	10	3.5	35	15.5	8,17	7,54	6,43
651-1840450		F	MC 1.5/11-ST-3.5	11	3.5	38.5	15.5	8,96	8,27	7,05
651-1840463		F	MC 1.5/12-ST-3.5	12	3.5	42	15.5	9,74	9,00	7,67
3.5mm PCB Terminal Block Plugs - 90° Wire-to-Plug Orientation UL: 300V @ 8A, 30-14AWG, Green Color										
651-1863152		G	MCVR 1.5/2-ST-3.5	2	3.5	7.8	19.1	1,61	1,48	1,26
651-1863165		G	MCVR 1.5/3-ST-3.5	3	3.5	11.3	19.1	2,39	2,21	1,88
651-1863178		G	MCVR 1.5/4-ST-3.5	4	3.5	14.8	19.1	3,18	2,94	2,50
651-1863181		G	MCVR 1.5/5-ST-3.5	5	3.5	18.3	19.1	3,84	3,55	3,50
651-1863194		G	MCVR 1.5/6-ST-3.5	6	3.5	21.8	19.1	4,79	4,42	3,77
651-1863217		G	MCVR 1.5/8-ST-3.5	8	3.5	28.8	19.1	6,38	5,89	5,02
651-1863233		G	MCVR 1.5/10-ST-3.5	10	3.5	35.8	19.1	7,97	7,36	6,28
3.5mm PCB Terminal Block Plugs - 270° Wire-to-Plug Orientation UL: 300V @ 8A, 30-14AWG, Green Color										
651-1862852		H	MCVW 1.5/2-ST-3.5	2	3.5	7.8	19.1	1,61	1,49	1,26
651-1862865		H	MCVW 1.5/3-ST-3.5	3	3.5	11.3	19.1	2,39	2,21	1,88
651-1862878		H	MCVW 1.5/4-ST-3.5	4	3.5	14.8	19.1	3,18	2,95	2,51
651-1862881		H	MCVW 1.5/5-ST-3.5	5	3.5	18.3	19.1	3,99	3,69	3,15
651-1862894		H	MCVW 1.5/6-ST-3.5	6	3.5	21.8	19.1	4,79	4,42	3,77
651-1862917		H	MCVW 1.5/8-ST-3.5	8	3.5	28.8	19.1	6,38	5,88	5,02
651-1862920		H	MCVW 1.5/9-ST-3.5	9	3.5	32.3	19.1	7,28	6,77	5,82
651-1862933		H	MCVW 1.5/10-ST-3.5	10	3.5	35.8	19.1	7,96	7,35	6,27

PHOENIX CONTACT 3.81mm Pluggable Terminal Blocks



RoHS Compliant This product is RoHS compliant.



3.81MM HEADERS

- RoHS Compliant per Phoenix documentation
- UL: 300V @ 8A, 30-14 AWG
- Color: Green



PCB, Single Level, Through-Hole Solder Mounting

For quantities greater than listed, call for quote.

MOUSER STOCK NO.		Fig.	Phoenix Type	Pos.	Dimensions: mm			Price Each		
Mfr	Mfr. Part No.				A	B	C	1	10	50
90° Socket-to-Pin Orientation										
651-1803277		A	MC 1.5/2-G-3.81	2	3.81	9.01	7.25	0.51	0,471	0,403
651-1803280		A	MC 1.5/3-G-3.81	3	3.81	12.82	7.25	0.80	0,735	0,623
651-1803293		A	MC 1.5/4-G-3.81	4	3.81	16.63	7.25	1.02	0,99	0,85
651-1803303		A	MC 1.5/5-G-3.81	5	3.81	20.44	7.25	1.27	1,17	0,998
651-1803316		A	MC 1.5/6-G-3.81	6	3.81	24.25	7.25	1.53	1,44	1,22
651-1803329		A	MC 1.5/7-G-3.81	7	3.81	28.06	7.25	1.81	1,67	1,43
651-1803332		A	MC 1.5/8-G-3.81	8	3.81	31.87	7.25	2.04	1,91	1,63
651-1803345		A	MC 1.5/9-G-3.81	9	3.81	35.68	7.25	2.33	2,21	1,90
651-1803358		A	MC 1.5/10-G-3.81	10	3.81	39.49	7.25	2.57	2,43	2,09
651-1803361		A	MC 1.5/11-G-3.81	11	3.81	43.30	7.25	2.16	1,85	1,73
651-1803374		A	MC 1.5/12-G-3.81	12	3.81	47.11	7.25	3.09	2,87	2,44
651-1803387		A	MC 1.5/13-G-3.81	13	3.81	50.92	7.25	2.55	2,18	2,04
651-1803390		A	MC 1.5/14-G-3.81	14	3.81	54.73	7.25	2.75	2,35	2,20
651-1803400		A	MC 1.5/15-G-3.81	15	3.81	58.54	7.25	2.96	2,53	2,37
651-1803413		A	MC 1.5/16-G-3.81	16	3.81	62.35	7.25	3.14	2,68	2,51

180° Socket-to-Pin Orientation										
Mfr	Mfr. Part No.	Fig.	Phoenix Type	Pos.	A	B	C	1	10	50
651-1803426		B	MCV 1.5/2-G-3.81	2	3.81	9.01	9.2	0.49	0,47	0,403
651-1803439		B	MCV 1.5/3-G-3.81	3	3.81	12.82	9.2	0.80	0,735	0,623
651-1803442		B	MCV 1.5/4-G-3.81	4	3.81	16.63	9.2	1.06	0,974	0,85
651-1803455		B	MCV 1.5/5-G-3.81	5	3.81	20.44	9.2	1.27	1,17	0,998
651-1803468		B	MCV 1.5/6-G-3.81	6	3.81	24.25	9.2	1.54	1,43	1,21
651-1803471		B	MCV 1.5/7-G-3.81	7	3.81	28.06	9.2	1.81	1,68	1,47
651-1803484		B	MCV 1.5/8-G-3.81	8	3.81	31.87	9.2	2.04	1,88	1,60
651-1803497		B	MCV 1.5/9-G-3.81	9	3.81	35.68	9.2	2.32	2,16	1,84
651-1803507		B	MCV 1.5/10-G-3.81	10	3.81	39.49	9.2	2.57	2,43	2,09
651-1803510		B	MCV 1.5/11-G-3.81	11	3.81	43.30	9.2	2.16	1,85	1,73
651-1803523		B	MCV 1.5/12-G-3.81	12	3.81	47.11	9.2	3.12	2,89	2,45
651-1803536		B	MCV 1.5/13-G-3.81	13	3.81	50.92	9.2	2.55	2,18	2,04
651-1803549		B	MCV 1.5/14-G-3.81	14	3.81	54.73	9.2	2.71	2,32	2,17
651-1803552		B	MCV 1.5/15-G-3.81	15	3.81	58.54	9.2	2.96	2,53	2,37
651-1803565		B	MCV 1.5/16-G-3.81	16	3.81	62.35	9.2	3.14	2,68	2,51

45° Socket-to-Pin Orientation										
Mfr	Mfr. Part No.	Fig.	Phoenix Type	Pos.	A	B	C	1	10	50
651-1827279		C	SMC 1.5/2-G-3.81	2	3.81	9.01	11	0.66	0,603	0,518
651-1827282		C	SMC 1.5/3-G-3.81	3	3.81	12.82	11	0.94	0,875	0,747
651-1827295		C	SMC 1.5/4-G-3.81	4	3.81	16.63	11	1.27	1,17	0,998
651-1827305		C	SMC 1.5/5-G-3.81	5	3.81	20.44	11	1.61	1,49	1,26
651-1827318		C	SMC 1.5/6-G-3.81	6	3.81	24.25	11	1.98	1,84	1,56
651-1827321		C	SMC 1.5/7-G-3.81	7	3.81	28.06	11	2.24	2,06	1,76
651-1827334		C	SMC 1.5/8-G-3.81	8	3.81	31.87	11	2.44	2,26	2,23
651-1827350		C	SMC 1.5/10-G-3.81	10	3.81	39.49	11	3.06	2,83	2,78
651-1827376		C	SMC 1.5/12-G-3.81	12	3.81	47.11	11	3.82	3,52	3,00

Double Level, Through-Hole Solder Mounting

For quantities greater than listed, call for quote.

90° Socket-to-Pin Orientation										
Mfr	Mfr. Part No.	Fig.	Phoenix Type	Pos.	A	B	C	1	10	50
651-1843075		D	MCD 1.5/2-G1-3.81	2	12.70	9.01	22.7	1.77	1,64	1,39
651-1843088		D	MCD 1.5/3-G1-3.81	3	12.70	12.82	22.7	2.56	2,37	2,02
651-1843091		D	MCD 1.5/4-G1-3.81	4	12.70	16.63	22.7	3.30	3,04	3,00
651-1843101		D	MCD 1.5/5-G1-3.81	5	12.70	20.44	22.7	4.27	3,94	3,37
651-1843114		D	MCD 1.5/6-G1-3.81	6	12.70	24.25	22.7	5.29	4,88	4,17
651-1843127		D	MCD 1.5/7-G1-3.81	7	12.70	28.06	22.7	6.00	5,53	4,72
651-1843130		D	MCD 1.5/8-G1-3.81	8	12.70	31.87	22.7	6.72	6,33	5,40
651-1843143		D	MCD 1.5/9-G1-3.81	9	12.70	35.68	22.7	7.73	7,14	6,08
651-1843156		D	MCD 1.5/10-G1-3.81	10	12.70	39.49	22.7	8.56	7,90	6,72
651-1843172		D	MCD 1.5/12-G1-3.81	12	12.70	47.11	22.7	10.27	9,48	8,09

3.81MM PLUGS

- RoHS Compliant per Phoenix documentation
- Color: Green
- UL: 300V @ 8A, 30-14 AWG



Screw Clamp Wire Termination

For quantities greater than listed, call for quote.

180° Wire-to-Plug Orientation										
Mfr	Mfr. Part No.	Fig.	Phoenix Type	Pos.	A	B	C	1	10	50
651-1803578		E	MC 1.5/2-ST-3.81	2	3.81	8.41	15.5	1,47	1,35	1,16
651-1803581		E	MC 1.5/3-ST-3.81	3	3.81	12.22	15.5	2,13	2,03	1,73
651-1803594		E	MC 1.5/4-ST-3.81	4	3.81	16.03	15.5	2,99	2,76	2,36
651-1803604		E	MC 1.5/5-ST-3.81	5	3.81	19.84	15.5	3,65	3,39	2,89
651-1803617		E	MC 1.5/6-ST-3.81	6	3.81	23.65	15.5	4,35	4,03	3,44
651-1803620		E	MC 1.5/7-ST-3.81	7	3.81	27.46	15.5	5,13	4,76	4,06
651-1803633		E	MC 1.5/8-ST-3.81	8	3.81	31.27	15.5	5,78	5,40	4,71
651-1803646		E	MC 1.5/9-ST-3.81	9	3.81	35.08	15.5	6,58	6,11	5,21
651-1803659		E	MC 1.5/10-ST-3.81	10	3.81	38.89	15.5	7,27	6,79	5,92
651-1803662		E	MC 1.5/11-ST-3.81	11	3.81	42.07	15.5	7,96	7,45	6,35
651-1803675		E	MC 1.5/12-ST-3.81	12	3.81	46.51	15.5	8,76	8,17	7,13

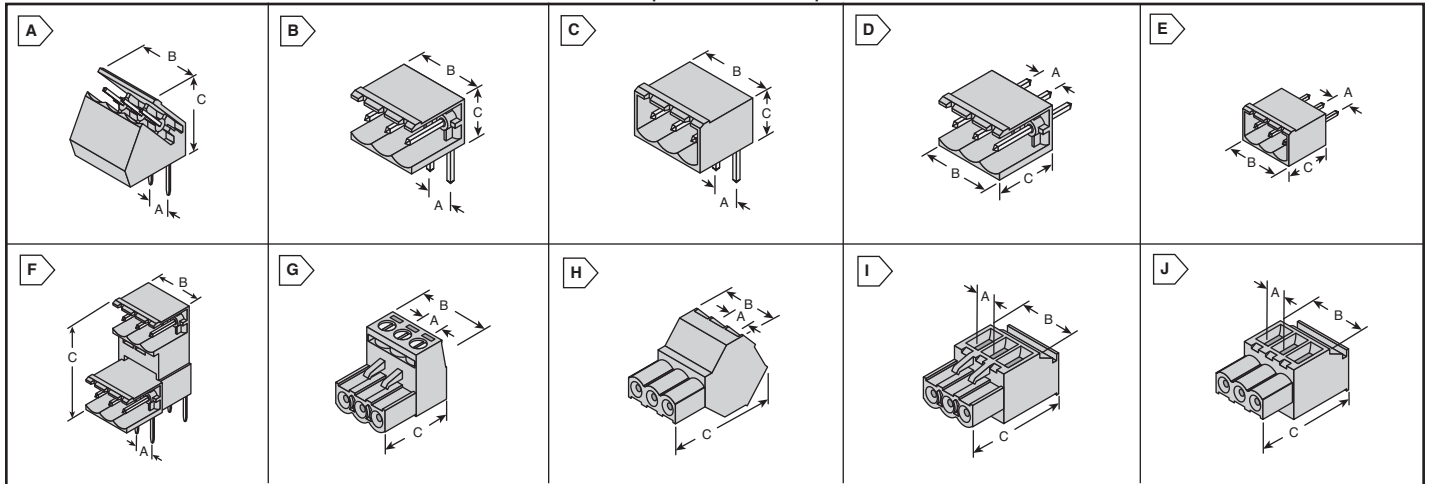
90° Wire-to-Plug Orientation										
Mfr	Mfr. Part No.	Fig.	Phoenix Type	Pos.	A	B	C	1	10	50
651-1827127		F	MCVR 1.5/2-ST-3.81	2	3.81	8.41	19.1	1,58	1,47	1,25
651-1827130		F	MCVR 1.5/3-ST-3.81	3	3.81	12.22	19.1	2,37	2,19	1,87
651-1827143		F	MCVR 1.5/4-ST-3.81	4	3.81	16.03	19.1	3,14	2,95	2,54
651-1827156		F	MCVR 1.5/5-ST-3.81	5	3.81	19.84	19.1	3,94	3,66	3,12
651-1827169		F	MCVR 1.5/6-ST-3.81	6	3.81	23.65	19.1	4,72	4,38	3,73
651-1827172		F	MCVR 1.5/7-ST-3.81	7	3.81	27.46	19.1	5,50	5,11	4,36
651-1827185		F	MCVR 1.5/8-ST-3.81	8	3.81	31.27	19.1	6,29	5,84	4,97
651-1827198		F	MCVR 1.5/9-ST-3.81	9	3.81	35.08	19.1	7,02	6,58	5,61
651-1827208		F	MCVR 1.5/10-ST-3.81	10	3.81	38.89	19.1	7,78	7,29	6,21
651-1827224		F	MCVR 1.5/12-ST-3.81	12	3.81	46.51	19.1	9,45	8,94	7,69
651-1827237		F	MCVR 1.5/13-ST-3.81	13	3.81	50.32	19.1	10,27	9,48	8,09
651-1827240		F	MCVR 1.5/14-ST-3.81	14	3.81	54.13	19.1	11,01	10,22	8,72
651-1827266		F	MCVR 1.5/16-ST-3.81	16	3.81	61.75	19.1	12,43	11,68	9,97

270° Wire-to-Plug Orientation										
Mfr	Mfr. Part No.	Fig.	Phoenix Type	Pos.	A	B	C	1	10	50
651-1826979		G	MCVV 1.5/2-ST-3.81	2	3.81	8.41	19.1	1,55	1,50	1,29
651-1826982		G	MCVV 1.5/3-ST-3.81	3	3.81	12.22	19.1	2,37	2,19	1,87
651-1826995		G	MCVV 1.5/4-ST-3.81	4	3.81	16.03	19.1	3,11	2,90	2,47
651-1827004		G	MCVV 1.5/5-ST-3.81	5	3.81	19.84	19.1	3,97	3,66	3,12
651-1827017		G	MCVV 1.5/6-ST-3.81	6	3.81	23.65	19.1	4,74	4,38	3,73
651-1827020		G	MCVV 1.5/7-ST-3.81	7	3.81	27.46	19.1	4,69	4,40	4,36
651-1827033		G	MCVV 1.5/8-ST-3.81	8	3.81	31.27	19.1	6,32	5,84	4,97
651-1827046		G	MCVV 1.5/9-ST-3.81	9	3.81	35.08	19.1	7,02	6,58	5,60
651-1827059		G	MCVV 1.5/10-ST-3.81	10	3.81	38.89	19.1	8,10	7,29	6,21
651-1827062		G	MCVV 1.5/11-ST-3.81	11	3.81	42.07	19.1	8,88	8,03	6,83

PHOENIX CONTACT 5.0mm Pluggable Terminal Blocks



RoHS Compliant. This product is RoHS compliant.



5.0MM HEADERS

- RoHS Compliant per Phoenix documentation
- Color: Green



PCB, Single Level, Thru-Hole Solder Mounting

- UL: 150V @ 15A & 300V @ 10A
- For quantities greater than listed, call for quote.

MOUSER STOCK NO.		Fig.	Phoenix Type	Pos.	Dimensions: mm			Price Each		
Mfr	Mfr. Part No.				A	B	C	1	10	50
135° Socket-to-Pin Orientation Without Side Panels										
651-1769230	A	SMSTB 2.5/2-G	2	5	10	14.8	0.50	0.461	0.431	
651-1769272	A	SMSTB 2.5/6-G	6	5	30	14.8	1.58	1.47	1.25	
651-1769298	A	SMSTB 2.5/8-G	8	5	40	14.8	2.09	1.93	1.64	
90° Socket-to-Pin Orientation Without Side Panels										
651-1754436	B	MSTB 2.5/2-G	2	5	10	8.6	0.38	0.32	0.30	
651-1754452	B	MSTB 2.5/3-G	3	5	15	8.6	0.66	0.603	0.516	
651-1754478	B	MSTB 2.5/4-G	4	5	20	8.6	0.76	0.65	0.61	
651-1754494	B	MSTB 2.5/5-G	5	5	25	8.6	0.95	0.81	0.76	
651-1754517	B	MSTB 2.5/6-G	6	5	30	8.6	1.14	0.97	0.91	
651-1754533	B	MSTB 2.5/7-G	7	5	35	8.6	1.33	1.13	1.06	
651-1754559	B	MSTB 2.5/8-G	8	5	40	8.6	1.50	1.28	1.20	
651-1754575	B	MSTB 2.5/9-G	9	5	45	8.6	1.90	1.80	1.53	
651-1754591	B	MSTB 2.5/10-G	10	5	50	8.6	1.89	1.61	1.51	
651-1754614	B	MSTB 2.5/11-G	11	5	55	8.6	2.09	1.78	1.67	
651-1754630	B	MSTB 2.5/12-G	12	5	60	8.6	2.28	1.94	1.82	
90° Socket-to-Pin Orientation										
651-1757475	C	MSTBA2.5/2-G	2	5	12	8.6	0.38	0.32	0.30	
651-1757488	C	MSTBA2.5/3-G	3	5	17	8.6	0.66	0.603	0.516	
651-1757491	C	MSTBA2.5/4-G	4	5	22	8.6	0.88	0.801	0.681	
651-1757501	C	MSTBA2.5/5-G	5	5	27	8.6	0.95	0.81	0.76	
651-1757514	C	MSTBA2.5/6-G	6	5	32	8.6	1.14	0.97	0.91	
651-1755493	C	MSTBA2.5/7-G	7	5	37	8.6	1.33	1.13	1.06	
651-1757527	C	MSTBA2.5/8-G	8	5	42	8.6	1.50	1.28	1.20	
651-1757530	C	MSTBA2.5/9-G	9	5	47	8.6	1.70	1.45	1.36	
651-1757543	C	MSTBA2.5/10-G	10	5	52	8.6	1.89	1.61	1.51	
651-1757556	C	MSTBA2.5/11-G	11	5	57	8.6	2.30	2.12	1.67	
651-1757569	C	MSTBA2.5/12-G	12	5	62	8.6	2.28	1.94	1.82	
180° Socket-to-Pin Orientation Without Side Panels										
651-1753437	D	MSTBV 2.5/2-G	2	5	10	12	0.38	0.32	0.30	
651-1753453	D	MSTBV 2.5/3-G	3	5	15	12	0.66	0.603	0.516	
651-1753479	D	MSTBV 2.5/4-G	4	5	20	12	0.76	0.65	0.61	
651-1753495	D	MSTBV 2.5/5-G	5	5	25	12	0.95	0.81	0.76	
651-1753518	D	MSTBV 2.5/6-G	6	5	30	12	1.14	0.97	0.91	
651-1753534	D	MSTBV 2.5/7-G	7	5	35	12	1.33	1.13	1.06	
651-1753550	D	MSTBV 2.5/8-G	8	5	40	12	1.50	1.28	1.20	
651-1753576	D	MSTBV 2.5/9-G	9	5	45	12	1.70	1.45	1.36	
651-1753592	D	MSTBV 2.5/10-G	10	5	50	12	1.89	1.61	1.51	
651-1753631	D	MSTBV 2.5/12-G	12	5	60	12	2.28	1.94	1.82	
180° Socket-to-Pin Orientation										
651-1755516	E	MSTBVA2.5/2-G	2	5	12	12	0.38	0.32	0.30	
651-1755529	E	MSTBVA2.5/3-G	3	5	17	12	0.70	0.603	0.516	
651-1755532	E	MSTBVA2.5/4-G	4	5	22	12	0.88	0.801	0.681	
651-1755545	E	MSTBVA2.5/5-G	5	5	27	12	0.95	0.81	0.76	
651-1755558	E	MSTBVA2.5/6-G	6	5	32	12	1.14	0.97	0.91	
651-1755561	E	MSTBVA2.5/7-G	7	5	37	12	1.33	1.13	1.06	
651-1755574	E	MSTBVA2.5/8-G	8	5	42	12	1.50	1.28	1.20	
651-1755587	E	MSTBVA2.5/9-G	9	5	47	12	1.70	1.45	1.36	
651-1755503	E	MSTBVA2.5/10-G	10	5	52	12	1.89	1.61	1.51	
651-1755590	E	MSTBVA2.5/11-G	11	5	57	12	2.30	2.12	1.67	
651-1755600	E	MSTBVA2.5/12-G	12	5	62	12	2.28	1.94	1.82	

Double Level, Thru-Hole Solder Mounting

- For quantities greater than listed, call for quote.

90° Socket-to-Pin Orientation Without Side Panels; UL: 150V @ 15A										
Mfr	Mfr. Part No.	Fig.	Phoenix Type	Pos.	A	B	C	1	10	50
651-1762046	F	MDSTB 2.5/2-G	2	5	10	23.5	1.59	1.47	1.25	
651-1762059	F	MDSTB 2.5/3-G	3	5	15	23.5	1.81	1.55	1.45	

5.0MM PLUGS

Screw Clamp Wire Termination



- RoHS Compliant per Phoenix documentation
- UL: 150V @ 15A & 300V @ 10A; 30-12AWG
- Color: Green

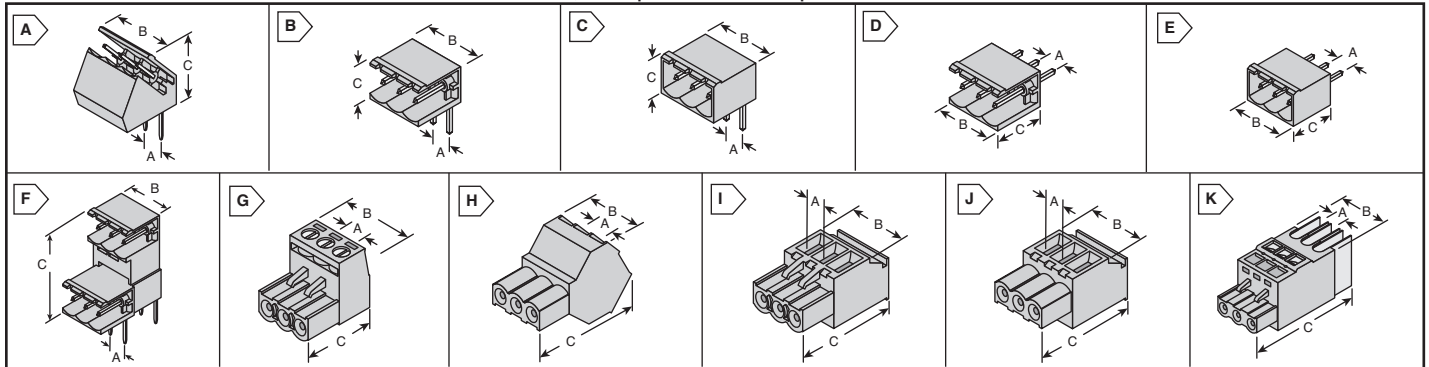
For quantities greater than listed, call for quote.

MOUSER STOCK NO.		Fig.	Phoenix Type	Pos.	Dimensions: mm			Price Each		
Mfr	Mfr. Part No.				A	B	C	1	10	50
180° Wire-to-Plug Orientation										
651-1754449	G	MSTB 2.5/2-ST	2	5	10	18.2	1.05	0.89	0.84	
651-1754465	G	MSTB 2.5/3-ST	3	5	15	18.2	1.86	1.74	1.49	
651-1754481	G	MSTB 2.5/4-ST	4	5	20	18.2	2.11	1.80	1.69	
651-1754504	G	MSTB 2.5/5-ST	5	5	25	18.2	2.64	2.25	2.11	
651-1754520	G	MSTB 2.5/6-ST	6	5	30	18.2	3.16	2.70	2.53	
651-1754546	G	MSTB 2.5/7-ST	7	5	35	18.2	3.69	3.15	2.95	
651-1754562	G	MSTB 2.5/8-ST	8	5	40	18.2	4.96	4.63	3.95	
651-1754588	G	MSTB 2.5/9-ST	9	5	45	18.2	5.52	5.26	4.49	
651-1754601	G	MSTB 2.5/10-ST	10	5	50	18.2	6.19	5.78	4.94	
651-1754627	G	MSTB 2.5/11-ST	11	5	55	18.2	6.77	6.37	5.41	
651-1754643	G	MSTB 2.5/12-ST	12	5	60	18.2	7.42	6.93	5.92	
135° Wire-to-Plug Orientation										
651-1768765	H	SMSTB 2.5/2-ST	2	5	10	25.5	1.69	1.56	1.34	
651-1768778	H	SMSTB 2.5/3-ST	3	5	15	25.5	2.50	2.30	2.26	
651-1768781	H	SMSTB 2.5/4-ST	4	5	20	25.5	3.35	3.09	3.05	
651-1768794	H	SMSTB 2.5/5-ST	5	5	25	25.5	4.21	3.88	3.81	
651-1768804	H	SMSTB 2.5/6-ST	6	5	30	25.5	5.27	4.88	4.15	
651-1768817	H	SMSTB 2.5/7-ST	7	5	35	25.5	6.07	5.65	4.81	
651-1768448	H	SMSTB 2.5/8-ST	8	5	40	25.5	7.00	6.47	5.52	
651-1768820	H	SMSTB 2.5/9-ST	9	5	45	25.5	7.89	7.29	6.20	
651-1768833	H	SMSTB 2.5/10-ST	10	5	50	25.5	8.77	8.09	6.91	
651-1768859	H	SMSTB 2.5/12-ST	12	5	60	25.5	9.33	8.48	7.83	
90° Wire-to-Plug Orientation										
651-1792016	I	MVSTBR 2.5/2-ST	2	5	10	26	1.47	1.36	1.16	
651-1792029	I	MVSTBR 2.5/3-ST	3	5	15	26	1.93	1.74	1.63	
651-1792032	I	MVSTBR 2.5/4-ST	4	5	20	26	2.11	1.80	1.77	
651-1792045	I	MVSTBR 2.5/5-ST	5	5	25	26	2.65	2.26	2.16	
651-1792058	I	MVSTBR 2.5/6-ST	6	5	30	26	3.18	2.71	2.65	
651-1792061	I	MVSTBR 2.5/7-ST	7	5	35	26	4.99	4.69	4.01	
651-1792074	I	MVSTBR 2.5/8-ST	8	5	40	26	5.70	5.36	4.58	
651-1792087	I	MVSTBR 2.5/9-ST	9	5	45	26	6.45	6.05	5.15	
651-1792090	I	MVSTBR 2.5/10-ST	10	5	50	26	7.17	6.71	5.72	
651-1792100	I	MVSTBR 2.5/11-ST	11	5	55	26	7.70	7.38	6.28	
651-1792113	I	MVSTBR 2.5/12-ST	12	5	60	26	8.56	8.06	6.87	
270° Wire-to-Plug Orientation										
651-1792524	J	MVSTBW 2.5/2-ST	2	5	10	26	1.47	1.36	1.16	
651-1792537	J	MVSTBW 2.5/3-ST	3	5	15	26	1.93	1.74	1.63	
651-1792540	J	MVSTBW 2.5/4-ST	4	5	20	26	2.11	1.80	1.77	
651-1792553	J	MVSTBW 2.5/5-ST	5	5	25	26	2.65	2.26	2.16	
651-1792566	J	MVSTBW 2.5/6-ST	6	5	30	26	3.18	2.71	2.65	
651-1792579	J	MVSTBW 2.5/7-ST	7	5	35	26	4.99	4.69	4.01	
651-1792582	J	MVSTBW 2.5/8-ST	8	5	40	26	5.73	5.36	4.58	
651-1792595	J	MVSTBW 2.5/9-ST	9	5	45	26	6.60	6.11	5.20	
651-1792605	J	MVSTBW 2.5/10-ST	10	5	50	26	7.04	6.71	5.71	
651-1792621	J	MVSTBW 2.5/12-ST	12	5	60	26	8.54	8.06	6.86	

PHOENIX CONTACT 5.08mm Pluggable Terminal Blocks



RoHS Compliant This product is RoHS compliant.



5.08MM HEADERS

PCB, Single Level, Through-Hole Solder Mounting

- RoHS Compliant per Phoenix documentation
- UL: 150V @ 15A & 300V @ 10A
- Color: Green



For quantities greater than listed, call for quote.

MOUSER STOCK NO.		Fig.	Phoenix Type	Pos.	Dimensions: mm			Price Each		
Mfr	Mfr. Part No.				A	B	C	1	10	50
135° Socket-to-Pin Orientation Without Side Panels										
651-1769463	A	SMSTB 2.5/2-G-5.08	2	5.08	10.16	14.8	0,50	0,462	0,431	
651-1769476	A	SMSTB 2.5/3-G-5.08	3	5.08	15.24	14.8	0,81	0,751	0,64	
651-1769489	A	SMSTB 2.5/4-G-5.08	4	5.08	20.32	14.8	1,07	0,99	0,842	
651-1769492	A	SMSTB 2.5/5-G-5.08	5	5.08	25.40	14.8	1,32	1,22	1,02	
651-1769502	A	SMSTB 2.5/6-G-5.08	6	5.08	30.48	14.8	1,58	1,47	1,25	
651-1769528	A	SMSTB 2.5/8-G-5.08	8	5.08	40.64	14.8	2,09	1,93	1,64	
651-1769544	A	SMSTB 2.5/10-G-5.08	10	5.08	50.80	14.8	2,60	2,41	2,05	
651-1769560	A	SMSTB 2.5/12-G-5.08	12	5.08	60.96	14.8	3,17	2,93	2,49	
90° Socket-to-Pin Orientation Without Side Panels										
651-1759017	B	MSTB 2.5/2-G-5.08	2	5.08	10.16	8.6	0,41	0,372	0,322	
651-1759020	B	MSTB 2.5/3-G-5.08	3	5.08	15.24	8.6	0,64	0,587	0,50	
651-1759033	B	MSTB 2.5/4-G-5.08	4	5.08	20.32	8.6	0,86	0,751	0,674	
651-1759046	B	MSTB 2.5/5-G-5.08	5	5.08	25.40	8.6	1,06	0,982	0,833	
651-1759059	B	MSTB 2.5/6-G-5.08	6	5.08	30.48	8.6	1,14	0,97	0,91	
651-1759062	B	MSTB 2.5/7-G-5.08	7	5.08	35.56	8.6	1,33	1,13	1,06	
651-1759075	B	MSTB 2.5/8-G-5.08	8	5.08	40.64	8.6	1,50	1,28	1,20	
651-1759088	B	MSTB 2.5/9-G-5.08	9	5.08	45.72	8.6	1,80	1,66	1,36	
651-1759091	B	MSTB 2.5/10-G-5.08	10	5.08	50.80	8.6	1,89	1,61	1,51	
651-1759114	B	MSTB 2.5/12-G-5.08	12	5.08	60.96	8.6	2,28	1,94	1,82	
90° Socket-to-Pin Orientation										
651-1757242	C	MSTBA2.5/2-G-5.08	2	5.08	12.16	8.6	0,41	0,372	0,322	
651-1757255	C	MSTBA2.5/3-G-5.08	3	5.08	17.24	8.6	0,62	0,578	0,493	
651-1757268	C	MSTBA2.5/4-G-5.08	4	5.08	22.32	8.6	0,78	0,718	0,665	
651-1757271	C	MSTBA2.5/5-G-5.08	5	5.08	27.40	8.6	1,05	0,965	0,823	
651-1757284	C	MSTBA2.5/6-G-5.08	6	5.08	32.48	8.6	1,22	1,12	0,957	
651-1757297	C	MSTBA2.5/7-G-5.08	7	5.08	37.56	8.6	1,41	1,36	1,16	
651-1757307	C	MSTBA2.5/8-G-5.08	8	5.08	42.64	8.6	1,63	1,53	1,30	
651-1757310	C	MSTBA2.5/9-G-5.08	9	5.08	47.72	8.6	1,82	1,73	1,48	
651-1757323	C	MSTBA2.5/10-G-5.08	10	5.08	52.80	8.6	2,02	1,94	1,62	
651-1757336	C	MSTBA2.5/11-G-5.08	11	5.08	57.88	8.6	2,26	2,10	1,80	
651-1757349	C	MSTBA2.5/12-G-5.08	12	5.08	62.96	8.6	2,46	2,33	1,96	
180° Socket-to-Pin Orientation Without Side Panels										
651-1758018	D	MSTBV 2.5/2-G-5.08	2	5.08	10.16	12.0	0,40	0,371	0,321	
651-1758021	D	MSTBV 2.5/3-G-5.08	3	5.08	15.24	12.0	0,64	0,587	0,50	
651-1758034	D	MSTBV 2.5/4-G-5.08	4	5.08	20.32	12.0	0,76	0,65	0,61	
651-1758047	D	MSTBV 2.5/5-G-5.08	5	5.08	25.40	12.0	1,07	0,99	0,842	
651-1758050	D	MSTBV 2.5/6-G-5.08	6	5.08	30.48	12.0	1,14	0,97	0,91	
651-1758063	D	MSTBV 2.5/7-G-5.08	7	5.08	35.56	12.0	1,33	1,13	1,06	
651-1758076	D	MSTBV 2.5/8-G-5.08	8	5.08	40.64	12.0	1,50	1,28	1,20	
651-1758089	D	MSTBV 2.5/9-G-5.08	9	5.08	45.72	12.0	1,80	1,66	1,36	
651-1758092	D	MSTBV 2.5/10-G-5.08	10	5.08	50.80	12.0	1,89	1,61	1,51	
651-1758115	D	MSTBV 2.5/12-G-5.08	12	5.08	60.96	12.0	2,28	1,94	1,82	
180° Socket-to-Pin Orientation										
651-1755736	E	MSTBVA2.5/2-G-5.08	2	5.08	12.16	12.0	0,40	0,372	0,322	
651-1755749	E	MSTBVA2.5/3-G-5.08	3	5.08	17.24	12.0	0,64	0,578	0,493	
651-1755752	E	MSTBVA2.5/4-G-5.08	4	5.08	22.32	12.0	0,78	0,718	0,665	
651-1755765	E	MSTBVA2.5/5-G-5.08	5	5.08	27.40	12.0	1,06	0,982	0,833	
651-1755778	E	MSTBVA2.5/6-G-5.08	6	5.08	32.48	12.0	1,23	1,14	0,957	
651-1755781	E	MSTBVA2.5/7-G-5.08	7	5.08	37.56	12.0	1,44	1,35	1,15	
651-1755794	E	MSTBVA2.5/8-G-5.08	8	5.08	42.64	12.0	1,67	1,54	1,31	
651-1755804	E	MSTBVA2.5/9-G-5.08	9	5.08	47.72	12.0	1,82	1,75	1,49	
651-1755817	E	MSTBVA2.5/10-G-5.08	10	5.08	52.80	12.0	2,03	1,90	1,62	
651-1755820	E	MSTBVA2.5/11-G-5.08	11	5.08	57.88	12.0	2,09	1,78	1,67	
651-1755833	E	MSTBVA2.5/12-G-5.08	12	5.08	62.96	12.0	2,46	2,29	1,96	

Double Level, Through-Hole Solder Mounting

- RoHS Compliant per Phoenix documentation
- UL: 150V @ 15A & 300V @ 10A
- Color: Green



For quantities greater than listed, call for quote.

MOUSER STOCK NO.		Fig.	Phoenix Type	Pos.	Dimensions: mm			Price Each		
Mfr	Mfr. Part No.				A	B	C	1	10	50
90° Socket-to-Pin Orientation Without Side Panels										
651-1762062	F	MDSTB 2.5/2-G-5.08	2	5.08	10.16	23.5	1,53	1,44	1,23	
651-1762075	F	MDSTB 2.5/3-G-5.08	3	5.08	15.24	23.5	1,81	1,55	1,45	

5.08MM PLUGS

Screw Clamp Wire Termination

- RoHS Compliant per Phoenix documentation
- UL: 150V @ 15A & 300V @ 10A, 30-12AWG
- Color: Green



For quantities greater than listed, call for quote.

MOUSER STOCK NO.		Fig.	Phoenix Type	Pos.	Dimensions: mm			Price Each		
Mfr	Mfr. Part No.				A	B	C	1	10	50
180° Wire-to-Plug Orientation										
651-1757019	G	MSTB 2.5/2-ST-5.08	2	5.08	10.16	18.2	1,20	1,16	0,982	
651-1757022	G	MSTB 2.5/3-ST-5.08	3	5.08	15.24	18.2	1,85	1,74	1,49	
651-1757035	G	MSTB 2.5/4-ST-5.08	4	5.08	20.32	18.2	2,48	2,33	1,98	
651-1757048	G	MSTB 2.5/5-ST-5.08	5	5.08	25.40	18.2	3,09	2,82	2,48	
651-1757051	G	MSTB 2.5/6-ST-5.08	6	5.08	30.48	18.2	3,71	3,47	2,95	
651-1757064	G	MSTB 2.5/7-ST-5.08	7	5.08	35.56	18.2	4,34	4,06	3,49	
651-1757077	G	MSTB 2.5/8-ST-5.08	8	5.08	40.64	18.2	4,95	4,63	3,95	
651-1757080	G	MSTB 2.5/9-ST-5.08	9	5.08	45.72	18.2	5,57	5,21	4,45	
651-1757093	G	MSTB 2.5/10-ST-5.08	10	5.08	50.80	18.2	5,83	5,79	4,94	
651-1757103	G	MSTB 2.5/11-ST-5.08	11	5.08	55.88	18.2	6,79	6,37	5,42	
651-1757116	G	MSTB 2.5/12-ST-5.08	12	5.08	60.96	18.2	7,42	6,93	5,92	
135° Wire-to-Plug Orientation										
651-1826283	H	SMSTB 2.5/2-ST-5.08	2	5.08	10.16	25.5	1,77	1,59	1,39	
651-1826296	H	SMSTB 2.5/3-ST-5.08	3	5.08	15.24	25.5	2,50	2,30	2,26	
651-1826306	H	SMSTB 2.5/4-ST-5.08	4	5.08	20.32	25.5	3,52	3,25	2,77	
651-1826319	H	SMSTB 2.5/5-ST-5.08	5	5.08	25.40	25.5	4,42	4,08	3,48	
651-1826322	H	SMSTB 2.5/6-ST-5.08	6	5.08	30.48	25.5	5,28	4,88	4,16	
651-1826335	H	SMSTB 2.5/7-ST-5.08	7	5.08	35.56	25.5	6,11	5,65	4,81	
651-1826348	H	SMSTB 2.5/8-ST-5.08	8	5.08	40.64	25.5	6,99	6,29	5,49	
651-1826351	H	SMSTB 2.5/9-ST-5.08	9	5.08	45.72	25.5	7,94	7,33	6,25	
651-1826364	H	SMSTB 2.5/10-ST-5.08	10	5.08	50.80	25.5	8,83	8,15	6,95	
651-1826377	H	SMSTB 2.5/11-ST-5.08	11	5.08	55.88	25.5	9,62	8,88	7,57	
651-1826380	H	SMSTB 2.5/12-ST-5.08	12	5.08	60.96	25.5	9,34	8,48	7,82	
90° Wire-to-Plug Orientation										
651-1792249	I	MVSTBR 2.5/2-ST-5.08	2	5.08	10.16	26.0	1,41	1,34	1,15	
651-1792252	I	MVSTBR 2.5/3-ST-5.08	3	5.08	15.24	26.0	1,93	1,74	1,63	
651-1792265	I	MVSTBR 2.5/4-ST-5.08	4	5.08	20.32	26.0	2,88	2,70	2,30	
651-1792278	I	MVSTBR 2.5/5-ST-5.08	5	5.08	25.40	26.0	3,61	3,34	2,87	
651-1792281	I	MVSTBR 2.5/6-ST-5.08	6	5.08	30.48	26.0	4,29	4,02	3,42	
651-1792294	I	MVSTBR 2.5/7-ST-5.08	7	5.08	35.56	26.0	5,02	4,69	4,01	
651-1792304	I	MVSTBR 2.5/8-ST-5.08	8	5.08	40.64	26.0	5,73	5,36	4,58	
651-1792317	I	MVSTBR 2.5/9-ST-5.08	9	5.08	45.72	26.0	6,44	6,05	5,16	
651-1792320	I	MVSTBR 2.5/10-ST-5.08	10	5.08	50.80	26.0	7,15	6,77	5,78	
651-1792333	I	MVSTBR 2.5/11-ST-5.08	11	5.08	55.88	26.0	7,83	7,38	6,29	
651-1792346	I	MVSTBR 2.5/12-ST-5.08	12	5.08	60.96	26.0	8,60	8,06	6,87	

PHOENIX CONTACT Terminal Blocks



RoHS Compliant This product is RoHS compliant.

7.62MM PC5 "CLICK-N-LOCK" PCB MOUNT HEADERS

- Products make an audible click when properly mated
- No tools necessary for removal of locked connectors
- Wire Range: 24-8 AWG
- Maximum Voltage: 600V
- Maximum Current: 35A

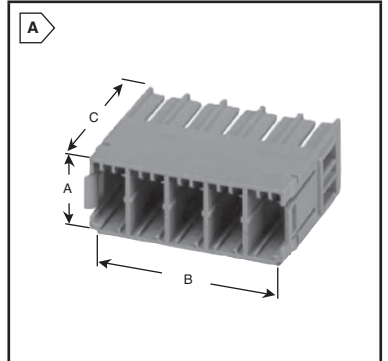


RoHS Compliant

Horizontal PCB Mount

For quantities greater than listed, call for quote.

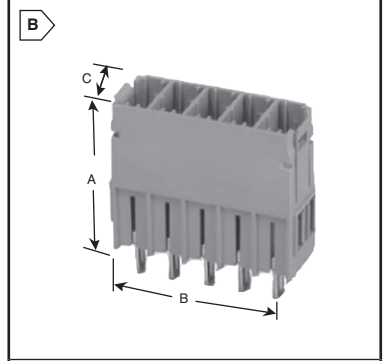
MOUSER STOCK NO.		Fig.	Phoenix Type	Pos.	Dimensions: mm			Price Each			
Mfr.	Mfr. Part No.				A	B	C	1	10	50	100
651-1720466		A	PC 5/ 2-G-7,62	2	13.54	15.24	29.25	2,14	1,91	1,65	1,46
651-1720479		A	PC 5/ 3-G-7,62	3	13.54	22.86	29.25	3,20	2,88	2,49	2,19
651-1720482		A	PC 5/ 4-G-7,62	4	13.54	30.48	29.25	4,27	3,83	3,31	2,90
651-1720495		A	PC 5/ 5-G-7,62	5	13.54	38.10	29.25	5,32	4,80	4,13	3,62
651-1720505		A	PC 5/ 6-G-7,62	6	13.54	45.72	29.25	6,39	5,75	4,96	4,36
651-1720518		A	PC 5/ 7-G-7,62	7	13.54	53.34	29.25	7,45	6,72	5,78	5,07
651-1720521		A	PC 5/ 8-G-7,62	8	13.54	60.96	29.25	8,53	7,67	6,61	5,81



Vertical PCB Mount

For quantities greater than listed, call for quote.

MOUSER STOCK NO.		Fig.	Phoenix Type	Pos.	Dimensions: mm			Price Each			
Mfr.	Mfr. Part No.				A	B	C	1	10	50	100
651-1720576		B	PCV 5/ 2-G-7,62	2	29.25	15.24	13.54	2,13	1,91	1,64	1,45
651-1720589		B	PCV 5/ 3-G-7,62	3	29.25	22.86	13.54	3,20	2,88	2,49	2,19
651-1720592		B	PCV 5/ 4-G-7,62	4	29.25	30.48	13.54	4,26	3,83	3,30	2,90
651-1720602		B	PCV 5/ 5-G-7,62	5	29.25	38.10	13.54	5,32	4,80	4,13	3,62
651-1720615		B	PCV 5/ 6-G-7,62	6	29.25	45.72	13.54	6,25	5,62	4,84	4,26
651-1720628		B	PCV 5/ 7-G-7,62	7	29.25	53.34	13.54	7,45	6,72	5,78	5,07
651-1720631		B	PCV 5/ 8-G-7,62	8	29.25	60.96	13.54	8,54	7,67	6,62	5,82



7.62MM PC5 "CLICK-N-LOCK" PLUGS

- Products make an audible click when properly mated
- No tools necessary for removal of locked connectors
- Wire Range: 24-8 AWG
- Maximum Voltage: 600V
- Maximum Current: 35A
- Available with Inverted Plug for Wire-to-Wire Applications

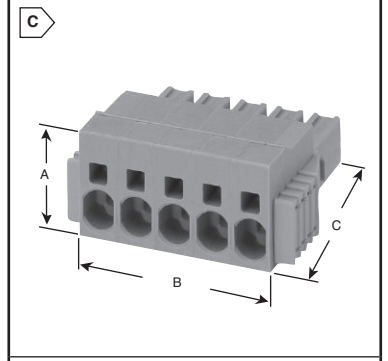


RoHS Compliant

Spring Cage Wire Termination

For quantities greater than listed, call for quote.

MOUSER STOCK NO.		Fig.	Phoenix Type	Pos.	Dimensions: mm			Price Each			
Mfr.	Mfr. Part No.				A	B	C	1	10	50	100
651-1718481		C	SPC 5/ 2-STCL-7,62	2	19.80	15.24	38.50	2,77	2,49	2,15	1,89
651-1718494		C	SPC 5/ 3-STCL-7,62	3	19.80	22.86	38.50	4,26	3,81	3,30	2,90
651-1718504		C	SPC 5/ 4-STCL-7,62	4	19.80	30.48	38.50	5,68	5,12	4,41	3,88
651-1718517		C	SPC 5/ 5-STCL-7,62	5	19.80	38.10	38.50	7,09	6,39	5,49	4,83
651-1718520		C	SPC 5/ 6-STCL-7,62	6	19.80	45.72	38.50	8,51	7,66	6,60	5,81
651-1718533		C	SPC 5/ 7-STCL-7,62	7	19.80	53.34	38.50	9,94	8,94	7,71	6,77
651-1718546		C	SPC 5/ 8-STCL-7,62	8	19.80	60.96	38.50	9,37	8,51	7,86	7,30

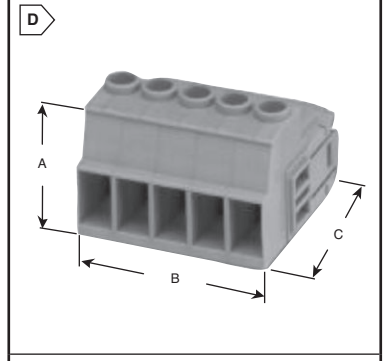


Screw Clamp Wire Termination, Inverted Plug

- Inverted plug for use with Figure C or D style plugs to create a wire to wire application.

For quantities greater than listed, call for quote.

MOUSER STOCK NO.		Fig.	Phoenix Type	Pos.	Dimensions: mm			Price Each			
Mfr.	Mfr. Part No.				A	B	C	1	10	50	100
651-1718261		D	IPC 5/ 2-STGCL-7,62	2	22.90	15.24	36.55	3,77	3,39	2,93	2,57
651-1718274		D	IPC 5/ 3-STGCL-7,62	3	22.90	22.86	36.55	5,53	4,98	4,28	3,77
651-1718287		D	IPC 5/ 4-STGCL-7,62	4	22.90	30.48	36.55	7,55	6,80	5,86	5,15
651-1718290		D	IPC 5/ 5-STGCL-7,62	5	22.90	38.10	36.55	9,22	8,29	7,15	6,28
651-1718300		D	IPC 5/ 6-STGCL-7,62	6	22.90	45.72	36.55	10,36	9,57	8,16	7,54
651-1718313		D	IPC 5/ 7-STGCL-7,62	7	22.90	53.34	36.55	10,92	9,93	9,15	8,50
651-1718326		D	IPC 5/ 8-STGCL-7,62	8	22.90	60.96	36.55	15,11	13,61	11,72	10,30



POWER PCB TERMINAL BLOCK WITH LEVER

- Fast wire connection saves time and money
- Wire Range: 18-4 AWG
- Voltage:
 - 70A 600V, UL for 15mm
 - 66A 300V, UL for 10mm
 - 60A 600V, UL for zigzag pinning 10mm
- Maximum Current: 70A

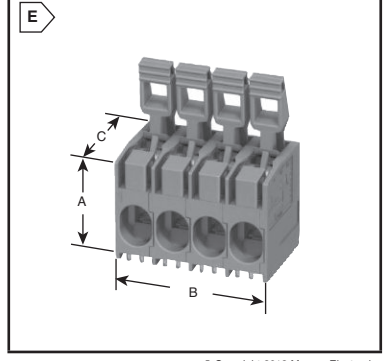


RoHS Compliant

Horizontal 10mm spacing

For quantities greater than listed, call for quote.

MOUSER STOCK NO.		Fig.	Phoenix Type	Pos.	Dimensions: mm			Price Each			
Mfr.	Mfr. Part No.				A	B	C	1	10	50	100
651-1770393		E	PLH 16/ 2-10	2	29.00	21.40	25.00	4,97	4,52	4,18	3,88
651-1770403		E	PLH 16/ 3-10	3	29.00	31.40	25.00	7,47	6,78	6,25	5,81
651-1770416		E	PLH 16/ 4-10	4	29.00	41.40	25.00	9,95	9,03	8,35	7,74
651-1770429		E	PLH 16/ 5-10	5	29.00	51.40	25.00	12,43	11,30	10,43	9,68
651-1770432		E	PLH 16/ 6-10	6	29.00	61.40	25.00	14,94	14,19	13,48	12,41
651-1770445		E	PLH 16/ 7-10	7	29.00	71.40	25.00	17,42	15,83	14,61	13,57
651-1770458		E	PLH 16/ 8-10	8	29.00	81.40	25.00	19,90	18,08	16,69	15,49



Horizontal with zigzag pinning 10mm spacing

For quantities greater than listed, call for quote.

MOUSER STOCK NO.		Fig.	Phoenix Type	Pos.	Dimensions: mm			Price Each			
Mfr.	Mfr. Part No.				A	B	C	1	10	50	100
651-1770461		E	PLH 16/ 2-10-ZF	2	29.00	21.40	25.00	4,97	4,52	4,18	3,88
651-1770474		E	PLH 16/ 3-10-ZF	3	29.00	31.40	25.00	7,47	6,78	6,26	5,82
651-1770487		E	PLH 16/ 4-10-ZF	4	29.00	41.40	25.00	9,95	9,03	8,35	7,74
651-1770490		E	PLH 16/ 5-10-ZF	5	29.00	51.40	25.00	12,43	11,30	10,43	9,68
651-1770500		E	PLH 16/ 6-10-ZF	6	29.00	61.40	25.00	14,93	13,56	12,52	11,62
651-1770513		E	PLH 16/ 7-10-ZF	7	29.00	71.40	25.00	17,42	15,83	14,61	13,57
651-1770526		E	PLH 16/ 8-10-ZF	8	29.00	81.40	25.00	19,91	18,08	16,70	15,50

Horizontal 15mm spacing

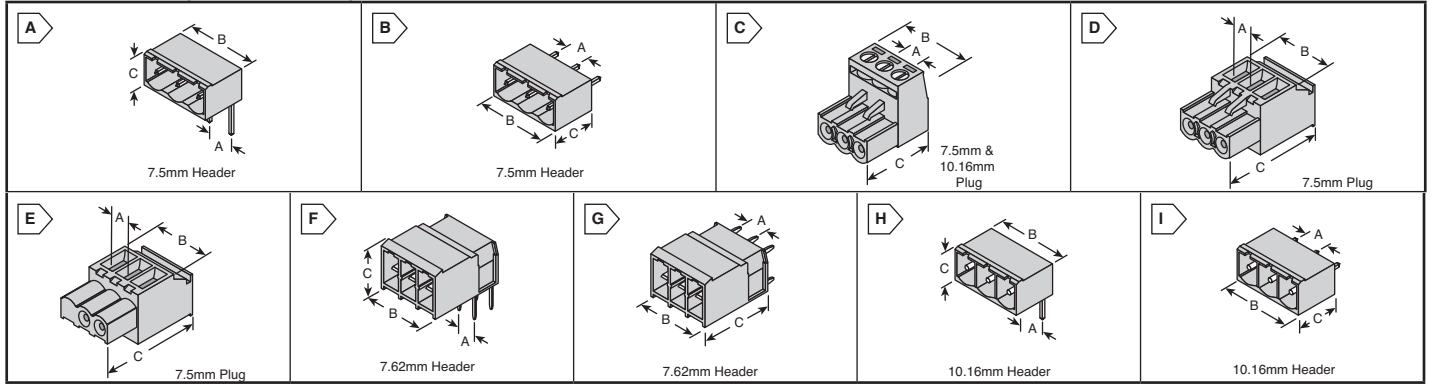
For quantities greater than listed, call for quote.

MOUSER STOCK NO.		Fig.	Phoenix Type	Pos.	Dimensions: mm			Price Each			
Mfr.	Mfr. Part No.				A	B	C	1	10	50	100
651-1770539		E	PLH 16/ 2-15	2	29.00	26.40	25.00	5,47	4,97	4,59	4,27
651-1770542		E	PLH 16/ 3-15	3	29.00	41.40	25.00	10,07	9,16	8,46	7,85
651-1770555		E	PLH 16/ 4-15	4	29.00	56.40	25.00	10,95	9,95	9,17	8,52
651-1770568		E	PLH 16/ 5-15	5	29.00	71.40	25.00	12,22	11,20	10,33	10,07
651-1770571		E	PLH 16/ 6-15	6	29.00	86.40	25.00	16,43	14,92	13,77	12,79
651-1770584		E	PLH 16/ 7-15	7	29.00	101.40	25.00	19,17	17,40	16,06	14,92
651-1770597		E	PLH 16/ 8-15	8	29.00	116.40	25.00	21,89	19,89	18,36	17,04

PHOENIX CONTACT Pluggable PCB Terminal Blocks



This product is RoHS compliant. (7.5mm, 7.62mm, 10.16mm & 15.00mm)



7.5MM HEADERS

Single Level, Through-Hole Solder Mounting



File# E60425

• RoHS compliant per Phoenix documentation

MOUSER STOCK NO.		Fig.	Phoenix Type	No. of Pos.	Dimensions: mm			Price Each		
Mfr	Mfr. Part No.				A	B	C	1	10	50
90° Socket-to-Pin Orientation UL:300V @ 10A, Green Color										
651-1766343	A	GMSTBA 2.5/2-G	2	7.5	15.0	8.6	0,77	0,71	0,611	
651-1766356	A	GMSTBA 2.5/3-G	3	7.5	22.5	8.6	1,16	1,08	0,924	
651-1766369	A	GMSTBA 2.5/4-G	4	7.5	30.0	8.6	1,50	1,38	1,18	
651-1766372	A	GMSTBA 2.5/5-G	5	7.5	37.5	8.6	1,95	1,76	1,53	
651-1766385	A	GMSTBA 2.5/6-G	6	7.5	45.0	8.6	2,27	2,10	1,98	
651-1766398	A	GMSTBA 2.5/7-G	7	7.5	52.5	8.6	2,74	2,53	2,44	
651-1766411	A	GMSTBA 2.5/9-G	9	7.5	67.5	8.6	3,54	3,27	2,78	
651-1766424	A	GMSTBA 2.5/10-G	10	7.5	75.0	8.6	3,88	3,61	3,09	
651-1766440	A	GMSTBA 2.5/12-G	12	7.5	90.0	8.6	4,65	4,34	3,70	
180° Socket-to-Pin Orientation UL:300V @ 10A, Green Color										
651-1766660	B	GMSTBVA 2.5/2-G	2	7.5	15.0	12.0	0,77	0,71	0,611	
651-1766673	B	GMSTBVA 2.5/3-G	3	7.5	22.5	12.0	1,13	1,04	0,887	
651-1766686	B	GMSTBVA 2.5/4-G	4	7.5	30.0	12.0	1,58	1,46	1,24	
651-1766699	B	GMSTBVA 2.5/5-G	5	7.5	37.5	12.0	1,87	1,73	1,47	
651-1766709	B	GMSTBVA 2.5/6-G	6	7.5	45.0	12.0	2,38	2,20	1,87	
651-1766712	B	GMSTBVA 2.5/7-G	7	7.5	52.5	12.0	2,76	2,55	2,17	
651-1766725	B	GMSTBVA 2.5/8-G	8	7.5	60.0	12.0	3,14	2,84	2,48	
651-1766741	B	GMSTBVA 2.5/10-G	10	7.5	75.0	12.0	3,98	3,67	3,12	
651-1766767	B	GMSTBVA 2.5/12-G	12	7.5	90.0	12.0	4,69	4,34	3,70	

7.5MM PLUGS

Screw Clamp Wire Termination



File# E60425

• RoHS compliant per Phoenix documentation

MOUSER STOCK NO.		Fig.	Phoenix Type	No. of Pos.	Dimensions: mm			Price Each		
Mfr	Mfr. Part No.				A	B	C	1	10	50
180° Wire-to-Plug Orientation UL: 300V @ 10A, 30-12AWG, Green Color										
651-1766880	C	GMSTB 2.5/2-ST	2	7.5	13.0	18.2	2,33	2,15	2,03	
651-1766893	C	GMSTB 2.5/3-ST	3	7.5	20.5	18.2	3,51	3,24	3,19	
651-1766903	C	GMSTB 2.5/4-ST	4	7.5	28.0	18.2	4,89	4,52	3,85	
651-1766916	C	GMSTB 2.5/5-ST	5	7.5	35.5	18.2	6,03	5,58	4,75	
651-1766929	C	GMSTB 2.5/6-ST	6	7.5	43.0	18.2	7,33	6,76	5,77	
651-1766932	C	GMSTB 2.5/7-ST	7	7.5	50.5	18.2	8,18	7,35	6,66	
651-1766945	C	GMSTB 2.5/8-ST	8	7.5	58.0	18.2	9,78	9,03	7,78	
651-1766958	C	GMSTB 2.5/9-ST	9	7.5	65.5	18.2	10,77	10,04	8,56	
651-1766961	C	GMSTB 2.5/10-ST	10	7.5	73.0	18.2	12,00	11,19	9,54	
651-1766987	C	GMSTB 2.5/12-ST	12	7.5	88.0	18.2	14,38	13,41	11,43	
90° Wire-to-Plug Orientation UL: 300V @ 10A, 30-12AWG, Green Color										
651-1737709	D	GMVSTBR 2.5/2-ST	2	7.5	13.0	26.0	2,46	2,28	1,94	
651-1737712	D	GMVSTBR 2.5/3-ST	3	7.5	20.5	26.0	3,53	3,25	3,20	
651-1737725	D	GMVSTBR 2.5/4-ST	4	7.5	28.0	26.0	4,84	4,50	3,84	
651-1737738	D	GMVSTBR 2.5/5-ST	5	7.5	35.5	26.0	6,09	5,63	4,30	
651-1737741	D	GMVSTBR 2.5/6-ST	6	7.5	43.0	26.0	7,25	6,76	5,75	
651-1737767	D	GMVSTBR 2.5/8-ST	8	7.5	58.0	26.0	9,76	9,01	7,68	
651-1737806	D	GMVSTBR 2.5/12-ST	12	7.5	88.0	26.0	12,47	11,17	10,74	
270° Wire-to-Plug Orientation UL: 300V @ 10A, 30-12AWG, Green Color										
651-1737819	E	GMVSTBW 2.5/2-ST	2	7.5	13.0	26.0	2,46	2,28	1,94	
651-1737822	E	GMVSTBW 2.5/3-ST	3	7.5	20.5	26.0	3,53	3,25	3,20	
651-1737835	E	GMVSTBW 2.5/4-ST	4	7.5	28.0	26.0	4,84	4,50	3,84	
651-1737848	E	GMVSTBW 2.5/5-ST	5	7.5	35.5	26.0	6,10	5,63	4,80	
651-1737851	E	GMVSTBW 2.5/6-ST	6	7.5	43.0	26.0	7,24	6,82	5,81	

© Copyright 2012 Mouser Electronics

7.62MM HEADERS

Single Level, Through-Hole Solder Mounting



File# E60425

• RoHS compliant per Phoenix documentation

For quantities greater than listed, call for quote.

MOUSER STOCK NO.		Fig.	Phoenix Type	No. of Pos.	Dimensions: mm			Price Each		
Mfr	Mfr. Part No.				A	B	C	1	10	50
90° Socket-to-Pin Orientation UL:300V @ 30A and 600V @ 20A, Green Color										
651-1804797	F	PC 4/2-G-7.62	2	7.62	15.22	14.3	1,97	1,86	1,77	
651-1804807	F	PC 4/3-G-7.62	3	7.62	22.84	14.3	3,25	3,08	2,65	
651-1804810	F	PC 4/4-G-7.62	4	7.62	30.46	14.3	2,75	2,65	2,59	
180° Socket-to-Pin Orientation UL:300V @ 30A and 600V @ 20A, Green Color										
651-1804687	G	PCV 4/2-G-7.62	2	7.62	15.22	29.0	2,16	2,02	1,72	
651-1804690	G	PCV 4/3-G-7.62	3	7.62	22.84	29.0	3,22	3,02	2,57	
651-1804700	G	PCV 4/4-G-7.62	4	7.62	30.46	29.0	4,27	4,05	3,46	

10.16MM HEADERS

Single Level, Through-Hole Solder Mounting



File# E60425

• RoHS compliant per Phoenix documentation

For quantities greater than listed, call for quote.

MOUSER STOCK NO.		Fig.	Phoenix Type	No. of Pos.	Dimensions: mm			Price Each		
Mfr	Mfr. Part No.				A	B	C	1	10	50
90° Socket-to-Pin Orientation UL: 300V @ 55A, Green Color										
651-1998933	H	PC 6-16/2-G1-10.16	2	10.16	23.36	13.4	2,25	2,21	2,18	
651-1998946	H	PC 6-16/3-G1-10.16	3	10.16	33.52	13.4	4,70	4,56	4,26	
651-1998959	H	PC 6-16/4-G1-10.16	4	10.16	43.68	13.4	7,14	6,79	5,80	
180° Socket-to-Pin Orientation UL: 300V @ 55A, Green Color										
651-1998784	I	PCV 6-16/2-G1-10.16	2	10.16	23.36	32.0	2,25	2,21	2,18	
651-1998797	I	PCV 6-16/3-G1-10.16	3	10.16	33.52	32.0	5,23	5,09	4,25	
651-1998807	I	PCV 6-16/4-G1-10.16	4	10.16	43.68	32.0	7,14	6,65	5,67	

10.16MM PLUGS

Screw Clamp Wire Termination



File# E60425

• RoHS compliant per Phoenix documentation

For quantities greater than listed, call for quote.

MOUSER STOCK NO.		Fig.	Phoenix Type	No. of Pos.	Dimensions: mm			Price Each		
Mfr	Mfr. Part No.				A	B	C	1	10	50
180° Wire-to-Plug Orientation UL: 300V @ 55A, 20-6AWG, Green Color										
651-1967375	C	PC 16/2-ST-10.16	2	10.16	20.16	41.5	5,81	5,54	4,72	
651-1967388	C	PC 16/3-ST-10.16	3	10.16	30.32	41.5	8,71	8,30	7,07	
651-1967391	C	PC 16/4-ST-10.16	4	10.16	40.48	41.5	11,75	11,06	9,42	

15.00MM HEADERS & PLUGS

• Headers are single level through hole solder mounting
• Plugs feature screw clamp wire termination



File# E60425

For quantities greater than listed, call for quote.

MOUSER STOCK NO.		Fig.	Phoenix Type	No. of Pos.	Dimensions: mm			Price Each		
Mfr	Mfr. Part No.				A	B	C	1	10	50
Header: 90° Socket-to-Pin Orientation 1000V @ 125A, Green Color										
651-1762741	C	PC 35 HC/ 2-GF-15.00	2	15.00	55.40	38.00	6,09	5,46	5,11	
651-1762767	C	PC 35 HC/ 4-GF-15.00	4	15.00	84.40	38.00	12,19	10,92	10,22	
Plug: 180° Socket-to-Pin Orientation 1000V @ 125A, Green Color										
651-1762592	I	PC35 HC/ 2-STF-15.00	2	15.00	55.40	52.00	13,53	12,13	11,35	
651-1762615	I	PC35 HC/ 4-STF-15.00	4	15.00	84.40	52.00	27,08	24,29	22,71	

© Copyright 2012 Mouser Electronics

© Copyright 2012 Mouser Electronics

PHOENIX CONTACT Pluggable Terminal Blocks



This product is RoHS compliant. (3.81mm and 5.08mm)

3.81MM PLUGGABLE TERMINAL BLOCKS WITH SCREW FLANGES

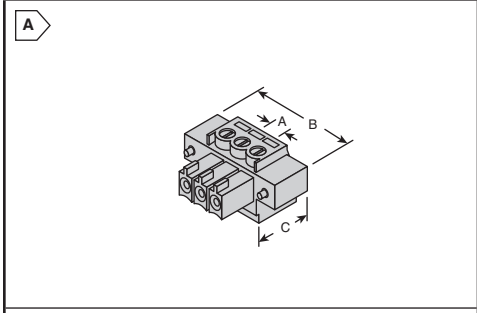
- RoHS Compliant per Phoenix documentation
- Color: Green
- Max. Voltage: 300V
- Captive Screws
- Max Current: 8A



Plugs with Screw Flange - Wire Size: 30-16 AWG - Screw Clamp Wire Termination

For quantities greater than listed, call for quote.

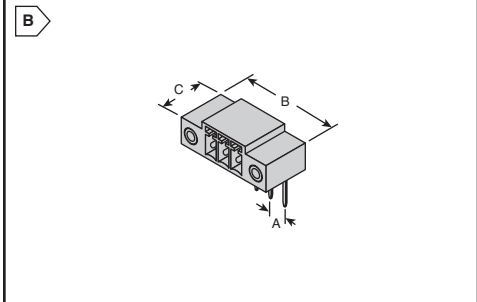
MOUSER STOCK NO.		Fig.	Phoenix Type	No. of Pos.	Dimensions: mm			Price Each			
Mfr.	Mfr. Part No.				A	B	C	1	10	50	100
651	1827703	A	MC 1.5/2-STF-3.81	2	3.81	8.41	9.50	1,59	1,47	1,25	1,16
651	1827716	A	MC 1.5/3-STF-3.81	3	3.81	12.22	9.50	2,39	2,20	2,13	1,94
651	1827729	A	MC 1.5/4-STF-3.81	4	3.81	16.03	9.50	3,18	2,94	2,89	2,65
651	1827732	A	MC 1.5/5-STF-3.81	5	3.81	19.84	9.50	3,98	3,68	3,61	3,32
651	1827745	A	MC 1.5/6-STF-3.81	6	3.81	23.65	9.50	4,88	4,55	3,89	3,60
651	1827761	A	MC 1.5/8-STF-3.81	8	3.81	27.46	9.50	6,58	6,11	5,21	4,81
651	1827787	A	MC 1.5/10-STF-3.81	10	3.81	31.27	9.50	8,25	7,61	6,49	6,00
651	1827800	A	MC 1.5/12-STF-3.81	12	3.81	35.08	9.50	9,92	9,16	7,80	7,21



Horizontal Headers with Threaded Flange

For quantities greater than listed, call for quote.

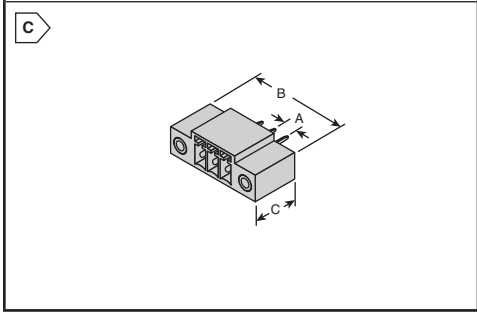
MOUSER STOCK NO.		Fig.	Phoenix Type	No. of Pos.	Dimensions: mm			Price Each			
Mfr.	Mfr. Part No.				A	B	C	1	10	50	100
651	1827868	B	MC 1.5/2-GF-3.81	2	3.81	18.01	7.25	1,63	1,50	1,28	1,18
651	1827871	B	MC 1.5/3-GF-3.81	3	3.81	21.82	7.25	1,91	1,76	1,50	1,38
651	1827884	B	MC 1.5/4-GF-3.81	4	3.81	25.63	7.25	2,23	2,06	1,76	1,63
651	1827897	B	MC 1.5/5-GF-3.81	5	3.81	29.44	7.25	2,48	2,29	1,96	1,80
651	1827907	B	MC 1.5/6-GF-3.81	6	3.81	33.25	7.25	2,76	2,55	2,17	2,00
651	1827923	B	MC 1.5/8-GF-3.81	8	3.81	37.06	7.25	3,25	3,00	2,56	2,37
651	1827949	B	MC 1.5/10-GF-3.81	10	3.81	40.87	7.25	3,64	3,36	3,31	3,03
651	1827965	B	MC 1.5/12-GF-3.81	12	3.81	44.68	7.25	4,28	3,95	3,37	3,11



Vertical Headers with Threaded Flange

For quantities greater than listed, call for quote.

MOUSER STOCK NO.		Fig.	Phoenix Type	No. of Pos.	Dimensions: mm			Price Each			
Mfr.	Mfr. Part No.				A	B	C	1	10	50	100
651	1830596	C	MCV 1.5/2-GF-3.81	2	3.81	18.01	9.20	1,63	1,50	1,28	1,18
651	1830606	C	MCV 1.5/3-GF-3.81	3	3.81	21.82	9.20	2,00	1,88	1,60	1,48
651	1830619	C	MCV 1.5/4-GF-3.81	4	3.81	25.63	9.20	2,23	2,06	1,76	1,63
651	1830622	C	MCV 1.5/5-GF-3.81	5	3.81	29.44	9.20	2,48	2,29	1,96	1,81
651	1830635	C	MCV 1.5/6-GF-3.81	6	3.81	33.25	9.20	2,76	2,56	2,18	2,01
651	1830651	C	MCV 1.5/8-GF-3.81	8	3.81	37.06	9.20	3,13	2,88	2,84	2,60
651	1830677	C	MCV 1.5/10-GF-3.81	10	3.81	40.87	9.20	3,79	3,50	2,98	2,76
651	1830693	C	MCV 1.5/12-GF-3.81	12	3.81	44.68	9.20	4,40	4,06	3,46	3,20



5.08MM PLUGGABLE TERMINAL BLOCKS WITH SCREW FLANGES

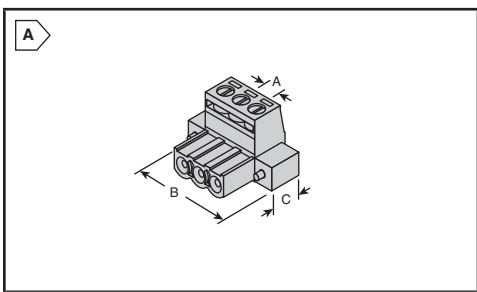
- RoHS Compliant per Phoenix documentation
- Color: Green
- Max. Voltage: 300V
- Captive Screws
- Max Current: 10A



Plugs with Screw Flange - Wire Size: 30-12 AWG - Screw Clamp Wire Termination

For quantities greater than listed, call for quote.

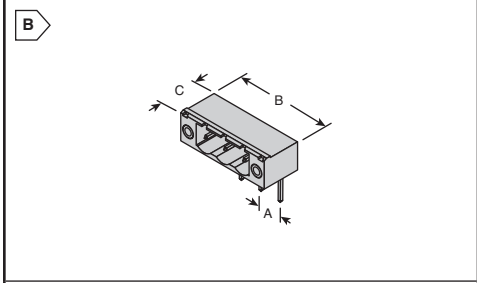
MOUSER STOCK NO.		Fig.	Phoenix Type	No. of Pos.	Dimensions: mm			Price Each			
Mfr.	Mfr. Part No.				A	B	C	1	10	50	100
651	1777989	A	MSTB 2.5/2-STF-5.08	2	5.08	10.77	9.90	1,56	1,43	1,22	1,13
651	1777992	A	MSTB 2.5/3-STF-5.08	3	5.08	15.85	9.90	2,30	2,13	2,00	1,85
651	1778001	A	MSTB 2.5/4-STF-5.08	4	5.08	20.93	9.90	3,03	2,80	2,75	2,52
651	1778014	A	MSTB 2.5/5-STF-5.08	5	5.08	26.01	9.90	3,81	3,52	3,46	3,17
651	1778027	A	MSTB 2.5/6-STF-5.08	6	5.08	31.09	9.90	4,28	3,66	3,43	3,33
651	1778043	A	MSTB 2.5/8-STF-5.08	8	5.08	36.17	9.90	6,39	5,90	5,03	4,64
651	1778069	A	MSTB 2.5/10-STF-5.08	10	5.08	41.25	9.90	7,94	7,33	6,25	5,78



Horizontal Headers with Threaded Flange

For quantities greater than listed, call for quote.

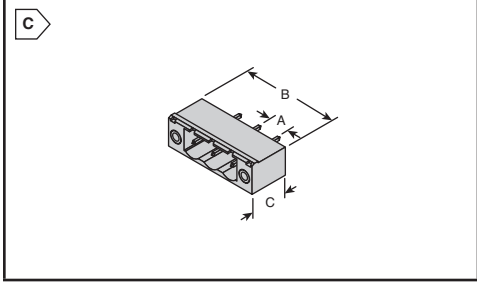
MOUSER STOCK NO.		Fig.	Phoenix Type	No. of Pos.	Dimensions: mm			Price Each			
Mfr.	Mfr. Part No.				A	B	C	1	10	50	100
651	1776508	B	MSTB 2.5/2-GF-5.08	2	5.08	20.32	8.60	1,16	1,07	0,92	0,847
651	1776511	B	MSTB 2.5/3-GF-5.08	3	5.08	25.40	8.60	1,76	1,62	1,38	1,28
651	1776524	B	MSTB 2.5/4-GF-5.08	4	5.08	30.48	8.60	2,34	2,17	2,05	1,88
651	1776537	B	MSTB 2.5/5-GF-5.08	5	5.08	35.56	8.60	2,93	2,70	2,66	2,44
651	1776540	B	MSTB 2.5/6-GF-5.08	6	5.08	40.64	8.60	3,51	3,24	3,19	2,92
651	1776566	B	MSTB 2.5/8-GF-5.08	8	5.08	45.72	8.60	4,93	4,55	3,88	3,58
651	1776582	B	MSTB 2.5/10-GF-5.08	10	5.08	50.80	8.60	6,15	5,67	4,83	4,47



Vertical Headers with Threaded Flange

For quantities greater than listed, call for quote.

MOUSER STOCK NO.		Fig.	Phoenix Type	No. of Pos.	Dimensions: mm			Price Each			
Mfr.	Mfr. Part No.				A	B	C	1	10	50	100
651	1777073	C	MSTBV 2.5/2-GF-5.08	2	5.08	20.32	12.00	1,73	1,60	1,37	1,26
651	1777086	C	MSTBV 2.5/3-GF-5.08	3	5.08	25.40	12.00	2,02	1,86	1,59	1,47
651	1777099	C	MSTBV 2.5/4-GF-5.08	4	5.08	30.48	12.00	2,34	2,16	2,04	1,87
651	1777109	C	MSTBV 2.5/5-GF-5.08	5	5.08	35.56	12.00	2,64	2,43	2,07	1,92
651	1777112	C	MSTBV 2.5/6-GF-5.08	6	5.08	40.64	12.00	2,81	2,60	2,55	2,33
651	1777138	C	MSTBV 2.5/8-GF-5.08	8	5.08	45.72	12.00	3,36	3,11	3,06	2,81
651	1777154	C	MSTBV 2.5/10-GF-5.08	10	5.08	50.80	12.00	4,11	3,80	3,23	2,99



Terminal Blocks

Phoenix Contact

PHOENIX CONTACT Cipline DIN Rail Terminal Blocks



RoHS Compliant This product is RoHS compliant.

PIT- PUSH-IN CONNECTION TECHNOLOGY

PIT are modular terminal blocks with push-in technology that require 50% lower insertion force and create user friendly wiring. As part of the CLIPLINE Complete family, these terminal blocks use standard system accessories, including bridging and marking.

Features:

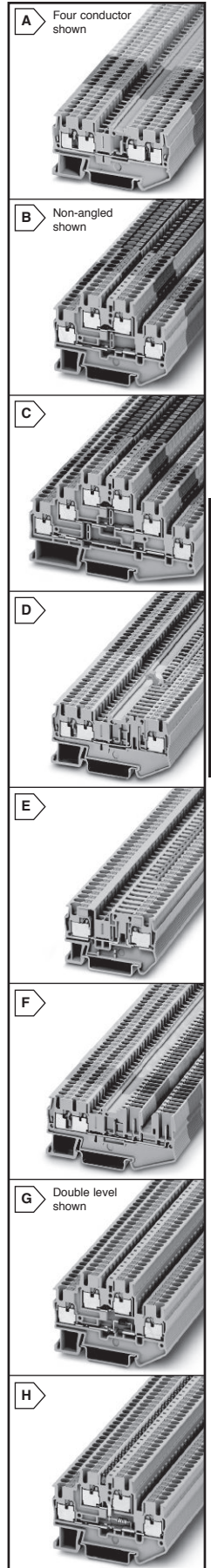
- Push-in technology makes wiring easy and reduces fatigue
- Compatible with Cipline Complete accessories
- Front connection for space-saving convenient wiring
- Three standard marker grooves
- No special tooling required
- Actuation button
- Touch-proof design



RoHS Compliant

For quantities greater than listed, call for quote.

MOUSER STOCK NO.	Fig.	Phoenix Type	Color	AWG	Voltage Rating	Current Rating	Dimensions (mm)			Price Each			
							W	L	H	1	10	50	100
2-Conductor Terminal Blocks													
651-3209510	A	PIT 2.5	Gray	26-14	800	30A	5.2	48.5	36.5	1,11	0,99	0,891	0,833
651-3209523	A	PIT 2.5 BU	Blue	26-14	800	30A	5.2	48.5	36.5	1,11	0,974	0,891	0,819
651-3209536	A	PIT 2.5-PE	Grn/Yel	26-14	-	-	5.2	48.5	36.5	3,72	3,31	3,00	2,80
3-Conductor Terminal Blocks													
651-3209549	A	PIT 2.5-TWIN	Gray	26-14	800	30A	5.2	60.5	36.5	1,25	1,11	1,01	0,941
651-3209552	A	PIT 2.5-TWIN BU	Blue	26-14	800	30A	5.2	60.5	36.5	1,34	1,20	1,09	1,01
651-3209565	A	PIT 2.5-TWIN-PE	Grn/Yel	26-14	-	-	5.2	60.5	36.5	4,39	3,90	3,55	3,29
4-Conductor Terminal Blocks													
651-3209578	A	PIT 2.5-QUATT RO	Gray	26-14	800	30A	5.2	72	36.5	1,80	1,60	1,46	1,36
651-3209581	A	PIT 2.5-QUATT RO BU	Blue	26-14	800	30A	5.2	72	36.5	1,80	1,60	1,46	1,36
651-3209594	A	PIT 2.5-QUATT RO-PE	Grn/Yel	26-14	-	-	5.2	72	36.5	5,68	5,04	4,59	4,27
Double-level Terminal Blocks													
651-3210567	B	PITTB 2.5	Gray	26-14	500	26A	5.2	68	47.5	2,56	2,28	2,06	1,92
651-3210570	B	PITTB 2.5 BU	Blue	26-14	500	26A	5.2	68	47.5	2,65	2,36	2,14	2,00
651-3210583	B	PITTB 2.5-PV	Gray	26-14	500	26A	5.2	68	47.5	5,46	4,85	4,41	4,10
651-3210596	B	PITTB 2.5-PE	Grn/Yel	26-14	-	-	5.2	68	47.5	7,78	6,93	6,29	5,85
651-3210978	B	PITTB 2.5-PE/L	Grn/Yel	26-14	-	-	5.2	68	47.5	4,87	4,33	3,93	3,65
651-3210981	B	PITTB 2.5-PE/N	Grn/Yel	26-14	-	-	5.2	68	47.5	5,45	4,85	4,41	4,09
651-3210994	B	PITTB 2.5-L/N	Gray	26-14	500	26A	5.2	68	47.5	3,15	2,81	2,55	2,38
Double-level Terminal Blocks - Angled Design													
651-3209604	B	PITTB 2.5	Gray	26-14	500	26A	5.2	78	55	2,56	2,28	2,06	1,92
651-3209617	B	PITTB 2.5 BU	Blue	26-14	500	26A	5.2	78	55	2,83	2,51	2,28	2,12
651-3210211	B	PITTB 2.5-PV	Gray	26-14	500	26A	5.2	78	55	5,74	5,11	4,64	4,31
651-3209620	B	PITTB 2.5-PE	Grn/Yel	26-14	-	-	5.2	78	55	7,93	7,05	6,41	5,96
Three-level Terminal Blocks													
651-3210499	C	PIT 2.5-3L	Gray	26-14	500	26A	5.2	102	58	4,32	3,85	3,50	3,25
651-3210509	C	PIT 2.5-3L BU	Blue	26-14	500	26A	5.2	102	58	4,32	3,85	3,50	3,25
651-3210512	C	PIT 2.5-3PV	Gray	26-14	500	26A	5.2	102	58	7,19	6,39	5,81	5,40
651-3210525	C	PIT 2.5-3PE	Grn/Yel	26-14	-	-	5.2	102	58	3,86	3,66	3,48	3,31
651-3210538	C	PIT 2.5-PE/L/N	Grn/Yel	26-14	-	-	5.2	102	58	7,11	6,33	5,74	5,34
651-3210541	C	PIT 2.5-PE/L/N	Grn/Yel	26-14	-	-	5.2	102	58	6,60	5,87	5,34	4,97
Knife / Disconnect Terminal Blocks													
651-3210156	D	PIT 2.5-MT	Gray	26-14	400	20A	5.2	60.5	36.5	3,42	3,04	2,76	2,57
651-3211650	D	PIT 2.5-MT BU	Blue	26-14	400	20A	5.2	60.5	36.5	3,42	3,04	2,76	2,57
651-3210169	D	PIT 2.5-TWIN-MT	Gray	26-14	400	20A	5.2	74	55	3,83	3,40	3,10	2,88
651-3211663	D	PIT 2.5-TWIN-MT BU	Blue	26-14	400	20A	5.2	74	55	3,83	3,40	3,10	2,88
651-3210172	D	PIT 2.5-QUATT RO-MT	Gray	26-14	400	20A	5.2	78	55	4,36	3,87	3,52	3,27
651-3211676	D	PIT2.5-QUATTROMT BU	Blue	26-14	400	20A	5.2	78	55	4,36	3,87	3,52	3,27
Disconnect Terminal Blocks													
651-3210185	E	PIT 2.5-TG	Gray	26-14	400	20A	5.2	60.5	36.5	2,18	1,94	1,77	1,63
651-3210198	E	PIT 2.5-TWIN-TG	Gray	26-14	400	20A	5.2	74	36.5	2,59	2,31	2,10	1,95
651-3210208	E	PIT 2.5-QUATT RO-TG	Gray	26-14	400	20A	5.2	84	36.5	3,10	2,76	2,50	2,33
COMBI Double-level Terminal Blocks													
651-3210871	F	PITTB 2.5/2P	Gray	26-14	500	22A	5.2	71.5	47.5	2,64	2,35	2,13	1,99
651-3210884	F	PITTB 2.5/2P BU	Blue	26-14	500	22A	5.2	71.5	47.5	2,64	2,35	2,13	1,99
651-3210907	F	PITTB 2.5/2P-PV	Gray	26-14	500	22A	5.2	71.5	47.5	5,47	4,88	4,42	4,11
651-3210897	F	PITTB 2.5/2P-PE	Grn/Yel	26-14	-	-	5.2	71.5	47.5	7,27	6,47	5,87	5,46
Diode Terminal Blocks													
651-3210224	G	PIT 2.5-DIO/L-R	Gray	26-14	800	0.5A	5.2	48.5	36.5	4,63	4,12	3,74	3,47
651-3210237	G	PIT 2.5-DIO/R-L	Gray	26-14	800	0.5A	5.2	48.5	36.5	6,25	5,94	5,63	5,36
651-3210240	G	PIT2.5-TWIN-DIO/L-R	Gray	26-14	800	0.5A	5.2	48.5	36.5	4,88	4,36	3,95	3,68
651-3210253	G	PIT2.5-TWIN-DIO/R-L	Gray	26-14	800	0.5A	5.2	48.5	36.5	4,88	4,36	3,95	3,68
651-3210266	G	PIT2.5QUATTRODIOL-R	Gray	26-14	800	0.5A	5.2	48.5	36.5	4,95	4,41	3,99	3,72
651-3210279	G	PIT2.5QUATTRODIOR-L	Gray	26-14	800	0.5A	5.2	48.5	36.5	4,95	4,41	3,99	3,72
Diode Terminal Blocks - Double Level													
651-3210923	G	PITTB 2.5-DIO/O-U	Gray	26-14	800	0.5A	5.2	68	47.5	5,97	5,31	4,83	4,49
651-3210936	G	PITTB 2.5-DIO/U-O	Gray	26-14	800	0.5A	5.2	68	47.5	5,97	5,31	4,83	4,49
651-3211427	G	PITTB2.5-DIO/UL-UR	Gray	26-14	800	0.5A	5.2	68	47.5	6,13	5,45	4,96	4,60
651-3211430	G	PITTB2.52DIOOULURUL	Gray	26-14	800	0.5A	5.2	68	47.5	8,42	7,71	7,13	6,62
651-3211443	G	PITTB2.52DIOOULOUR	Gray	26-14	800	0.5A	5.2	68	47.5	8,41	7,71	7,12	6,62
651-3210282	G	PITTB 2.5-DIO/O-U	Gray	26-14	800	0.5A	5.2	68	47.5	6,13	5,45	4,96	4,60
651-3210295	G	PITTB 2.5-DIO/U-O	Gray	26-14	800	0.5A	5.2	68	47.5	5,97	5,31	4,83	4,49
Double-level Light Indicator Terminal Blocks													
651-3211456	H	PITTB 2.5-LA 24 RD	Gray	26-14	24	26A	5.2	68	47.5	8,41	7,71	7,12	6,62
651-3211469	H	PITTB 2.5-LA 60 RD	Gray	26-14	24	26A	5.2	68	47.5	8,41	7,71	7,12	6,62
651-3211472	H	PITTB 2.5-LA 230	Gray	26-14	24	26A	5.2	68	47.5	8,32	7,62	7,05	6,55



Terminal Blocks Phoenix Contact

PHOENIX CONTACT Cipline DIN Rail Terminal Blocks



RoHS Compliant **This product is RoHS compliant.**

MINI SPRING CAGE TERMINAL BLOCKS

The portfolio of the new mini spring terminal blocks comprises terminals for horizontal (MSB) and vertical (MSBV) conductor connection. Versions are available for NS 15 and NS 35 rails, as well as versions with a snap-on foot (-RZ), screwfix (-F), and blocks utilizing the built-in engagement pins for mounting between 2 terminal blocks.

Features:

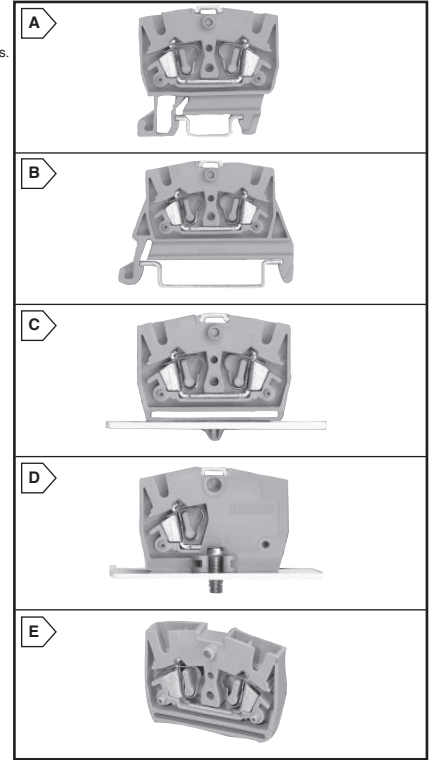
- Snapped onto NS 15 or NS 35 rail
- IEC 800 V/30A, UL 600 V/20A
- Center labeling using flat Zack marker strip
- Engagement Pin blocks mount between 2 other terminal blocks using the built in engagement pin.
- Compact design with 5 mm division
- Individual terminals inter-snap on, facilitating fast and safe structure
- The MSB series fulfills the same technical parameters as the standard ST 2.5 modular terminal blocks.



RoHS Compliant

For quantities greater than listed, call for quote.

MOUSER STOCK NO.	Fig.	Phoenix Type	Color	AWG	Volt. Rating	Current Rating	Dimensions (mm)			Price Each			
							H	L	W	1	10	50	100
Din Rail NS15/35 Mount													
651-3244012	A	MSB 2,5-NS 15	Gray	28-12	600V	20A	22	32	5.2	0,77	0,701	0,625	0,582
651-3244025	A	MSB 2,5 BU-NS 15	Blue	28-12	600V	20A	32	32	5.2	0,76	0,70	0,624	0,581
651-3244038	A	MSB 2,5 OG-NS 15	Org	28-12	600V	20A	32	32	5.2	0,82	0,758	0,681	0,629
651-3073092	A	MSB 2,5 YE-NS 15	Yel	28-12	600V	20A	32	32	5.2	0,82	0,758	0,681	0,629
651-3249017	A	MSBV 2,5-NS 15	Gray	28-12	600V	20A	32	32	5.2	0,82	0,752	0,639	0,625
651-3249088	B	MSBV 2,5-NS 35	Gray	28-12	600V	20A	32	42.7	5.2	0,82	0,752	0,639	0,625
651-3244119	B	MSB 2,5-NS 35	Gray	28-12	600V	20A	32	42.7	5.2	0,77	0,701	0,625	0,582
651-3249091	B	MSBV 2,5-NS 35 BU	Blue	28-12	600V	20A	32	42.7	5.2	0,81	0,752	0,638	0,624
Snap-on Foot Mount													
651-3244164	C	MSB 2,5-RZ	Gray	28-12	600V	20A	22	32	5.2	0,76	0,70	0,624	0,581
651-3244177	C	MSB 2,5-RZ BU	Blue	28-12	600V	20A	22	32	5.2	0,76	0,70	0,624	0,581
Screwfix Mount													
651-3244041	D	MSB 2,5-F	Gray	28-12	600V	20A	22	32	5.2	0,77	0,701	0,625	0,582
651-3249046	C	MSBV 2,5-F BU	Blue	28-12	600V	20A	20	32	5.2	0,81	0,752	0,638	0,624
651-3249059	D	MSBV 2,5-F	Gray	28-12	600V	20A	20	32	5.2	0,82	0,752	0,639	0,625
651-3244054	D	MSB 2,5-F BU	Blue	28-12	600V	20A	22	32	5.2	0,77	0,701	0,625	0,582
Engagement Pin Mount													
651-3244067	E	MSB 2,5-M	Gray	28-12	600V	20A	22	32	5.2	0,77	0,701	0,625	0,582
651-3244070	E	MSB 2,5-M BU	Blue	28-12	600V	20A	22	32	5.2	0,77	0,701	0,625	0,582
651-3244096	E	MSB 2,5-M OG	Org	28-12	600V	20A	22	32	5.2	0,83	0,759	0,676	0,629
651-3244106	E	MSB 2,5-M YE	Yel	28-12	600V	20A	22	32	5.2	0,83	0,759	0,676	0,629
651-3249062	E	MSBV 2,5-M	Gray	28-12	600V	20A	20	32	5.2	0,82	0,752	0,639	0,625
651-3249075	E	MSBV 2,5-M BU	Blue	28-12	600V	20A	20	32	5.2	0,81	0,752	0,638	0,624



CLIPLINE COMPLETE - COMPLETELY PLUGGABLE WITH COMBI

Cipline now includes COMBI, a pluggable connection solution. The COMBI family offers free selection of connection technologies. Through the standardized COMBI plug-in zones, terminal blocks and connectors can be combined independent of the connection system.

Features:

- Touchproof design
- Flexible termination styles
- Reliable connection technologies
- Modular self assembly plugs up to 15 positions
- High current capacity
- Space saving design
- Meets DIN EN 61373, IEC 60068-2-27
- RoHS compliant per Phoenix documentation



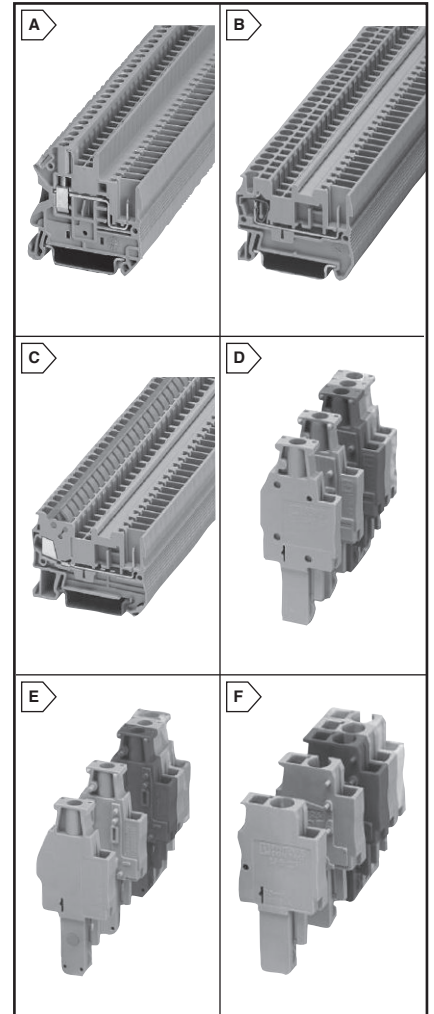
RoHS Compliant

* Gr/Yel = Green/Yellow

For quantities greater than listed, call for quote.

COMBI Pluggable Terminal Blocks

MOUSER STOCK NO.	Fig.	Phoenix Type	Color	AWG	Volt. Rating	Current Rating	Dimensions (mm)			Price Each			
							H	L	W	1	10	50	100
UT-COMBI Pluggable Screw Terminal Blocks													
651-3045017	A	UT 2.5/1P	Gray	26-12	500	24A	47.5	47.6	5.2	0,84	0,757	0,706	0,663
651-3045033	A	UT 2.5/1P-PE	Gr/Yel	26-12	---	---	47.5	47.6	5.2	3,14	2,81	2,57	2,43
651-3045583	A	UT 4/1P	Gray	10-12	800	32A	47.5	47.6	6.2	0,91	0,808	0,765	0,687
651-3045606	A	UT 4/1P-PE	Gr/Yel	10-12	---	---	47.5	47.6	6.2	2,70	2,42	2,05	1,97
ST-COMBI Pluggable Spring-cage Terminal Blocks													
651-3040012	B	ST 2.5/1P	Gray	28-12	500	24A	36.5	48.5	5.2	1,06	0,949	0,908	0,815
651-3042133	B	ST 2.5/2P	Gray	28-12	500	24A	36.5	48.5	5.2	0,97	0,883	0,842	0,758
651-3040025	B	ST 2.5/1P-PE	Gr/Yel	28-12	---	---	36.5	48.5	5.2	3,77	3,39	3,22	2,93
651-3042146	B	ST 2.5/2P-PE	Gr/Yel	28-12	---	---	36.5	48.5	5.2	3,12	2,81	2,64	2,41
651-3042719	B	ST 4/1P	Gray	28-10	800	32A	36.5	55.8	6.2	1,23	1,11	1,04	0,957
651-3042722	B	ST 4/1P-PE	Gr/Yel	28-10	800	32A	36.5	55.8	6.2	3,68	3,32	3,11	2,84
QT-COMBI Pluggable Direct Connection Terminal Blocks													
651-3050073	C	QTC 1.5/1P	Gray	24-16	500	17.5A	39.3	53.5	5.2	0,97	0,891	0,82	0,752
651-3050099	C	QTC 1.5/1P-PE	Gr/Yel	24-16	---	---	39.3	53.5	5.2	3,61	3,32	3,06	2,80



COMBI Plugs

For quantities greater than listed, call for quote.

UT-COMBI - Screw Connection Plug

MOUSER STOCK NO.	Fig.	Phoenix Type	Color	AWG	Volt. Rating	Current Rating	H	L	W	1	10	50	100
651-3045318	D	UPBV 2.5/1-L	Gray	26-14	500	24A	47.0	21.0	5.2	1,01	0,899	0,85	0,789
651-3045347	D	UPBV 2.5/1-M	Gray	26-14	500	24A	47.0	21.0	5.2	1,01	0,899	0,85	0,789
651-3045376	D	UPBV 2.5/1-R	Gray	26-14	500	24A	47.0	21.0	5.2	1,01	0,899	0,858	0,79
651-3045716	D	UPBV 4/1-L	Gray	28-12	800	32A	47.0	21.0	6.2	1,69	1,52	1,44	1,30
651-3045745	D	UPBV 4/1-M	Gray	28-12	800	32A	47.0	21.0	6.2	1,69	1,52	1,44	1,30
651-3045774	D	UPBV 4/1-R	Gray	28-12	800	32A	47.0	21.0	6.2	1,69	1,52	1,44	1,30

ST-COMBI - Spring-cage Connection Plug

MOUSER STOCK NO.	Fig.	Phoenix Type	Color	AWG	Volt. Rating	Current Rating	H	L	W	1	10	50	100
651-3043103	E	SPB 2.5/1-L	Gray	28-12	500	24A	39.0	20.0	5.2	1,14	1,03	0,974	0,891
651-3043132	E	SPB 2.5/1-M	Gray	28-12	500	24A	39.0	20.0	5.2	1,14	1,03	0,974	0,891

QT-COMBI - Fast Connection Plug

MOUSER STOCK NO.	Fig.	Phoenix Type	Color	AWG	Volt. Rating	Current Rating	H	L	W	1	10	50	100
651-3051014	F	QP 1.5/1-L	Gray	24-16	500	17.5	40.0	20.0	5.2	1,08	1,01	0,924	0,858
651-3051043	F	QP 1.5/1-M	Gray	24-16	500	17.5	40.0	20.0	5.2	1,16	1,04	0,99	0,875

End Covers for COMBI Pluggable Terminal Blocks

For quantities greater than listed, call for quote.

MOUSER STOCK NO.	Phoenix Type	Color	Series	Terminal Blocks (for use with)	Price Each			
					1	10	50	100
651-3047154	D-UT 2.5/1P	Gray	UT	UT 2.5/1P and UT 4/1P	0,56	0,493	0,476	0,432
651-3030417	D-ST 2.5	Gray	ST	ST 2.5/1P and ST 2.5/2P	0,56	0,50	0,474	0,431
651-3206322	D-QTC 1.5/1P	Gray	QT	QTC 1.5/1P	0,64	0,56	0,54	0,495

PHOENIX CONTACT Clipline DIN Rail Terminal Blocks



CLIPLINE COMPLETE - Four Terminal Block Technologies, One Common Line of Accessories

UT UNIVERSAL TERMINAL SCREW CONNECTION

Universal for every application. This screw connection system features a multi-conductor connection and maximum contact forces. The screw connection system is known and accepted throughout the world and can be used in any application.

For quantities greater than listed, call for quote.

MOUSER STOCK NO.		Phoenix Type	Fig.	Color	AWG	Voltage Rating	Current Rating	Dimensions (mm)			Price Each			
Mfr.	Mfr. Part No.							H	L	W	1	10	50	100
2-Conductor Feed-Thru Terminal Blocks														
651—3064085		UT 2.5-MTD	A	Gray	26-12	400	20A	49.1	57.8	5.2	0,93	0,833	0,753	0,702
651—3064098		UT 2.5-MTD P/P	A	Gray	26-12	630	24A	47.5	57.8	5.2	1,20	1,07	0,974	0,899
651—3044076		UT 2.5	A	Gray	26-12	800	32A	47.5	46.9	5.2	0,83	0,742	0,707	0,647
651—3044089		UT 2.5 BU	A	Blue	26-12	800	32A	47.5	46.9	5.2	0,83	0,733	0,664	0,62
651—3045088		UT 2.5 BK	A	Black	26-12	800	32A	47.5	46.9	5.2	0,97	0,875	0,823	0,757
651—3045062		UT 2.5 RD	A	Red	26-12	800	32A	47.5	46.9	5.2	0,88	0,774	0,705	0,653
651—3044102		UT 4	A	Gray	26-10	800	41A	47.5	46.9	6.2	0,79	0,713	0,625	0,60
651—3044115		UT 4 BU	A	Blue	26-10	800	41A	47.5	46.9	6.2	0,85	0,76	0,724	0,545
651—3045143		UT 4 BK	A	Black	26-10	800	41A	47.5	46.9	6.2	0,94	0,833	0,754	0,703
651—3045127		UT 4 RD	A	Red	26-10	800	41A	47.5	46.9	6.2	0,94	0,833	0,754	0,703
651—3046184		UT 4-MTD	A	Gray	26-10	800	41A	47.5	56.8	6.2	0,91	0,81	0,78	0,708
651—3044131		UT 6	A	Gray	24-8	800	57A	47.5	46.9	8.2	1,20	1,11	1,06	0,982
651—3045208		UT 6 BK	A	Black	24-8	800	57A	47.5	46.9	8.2	1,24	1,10	1,01	0,924
651—3047413		UTMED 6	A	Gray	24-8	500V	30A	49.6	100.8	8.2	5,00	4,61	4,13	3,80
651—3044160		UT 10	A	Gray	20-6	1000	76A	47.5	46.9	10.2	1,68	1,63	1,49	1,37
651—3046320		UT 10 BK	A	Black	20-6	1000	76A	47.5	46.9	10.2	1,75	1,56	1,42	1,31
651—3046304		UT 10 RD	A	Red	20-6	1000	76A	47.5	46.9	10.2	1,75	1,56	1,41	1,31
651—3044199		UT 16	A	Gray	16-4	600V	85A	54.8	52.8	12	1,93	1,73	1,64	1,50
651—3044225		UT 35	A	Gray	14-1/0	600V	150A	65.7	60.2	16	4,25	3,93	3,74	3,40
Ground Terminal Blocks														
651—3044092		UT 2.5-PE	B	Gr/Yel	26-12	---	---	47.5	46.9	5.2	3,02	2,71	2,48	2,34
651—3044128		UT 4-PE	B	Gr/Yel	26-10	---	---	47.5	46.9	6.2	3,37	3,01	2,85	2,61
651—3044157		UT 6-PE	B	Gr/Yel	24-8	---	---	47.5	46.9	8.2	3,83	3,43	3,23	2,97
651—3044173		UT 10-PE	B	Gr/Yel	20-6	---	---	47.5	46.9	10.2	4,22	3,75	3,57	3,16
651—3047442		UTMED 6-PE	B	Gr/Yel	24-8	500V	30A	49.6	100.8	8.2	10,02	9,24	8,29	7,63
651—3044212		UT 16 PE	B	Gr/Yel	16-4	---	---	54.8	52.8	12	4,60	4,29	4,08	3,70
651—3044241		UT 35 PE	B	Gr/Yel	14-1/0	---	---	65.7	60.2	16	6,75	6,01	5,46	5,07
Knife Disconnect Terminal Blocks *Current and Voltage are determined by the plug used.														
651—3046362		UT 2.5-MT	C	Gray	26-12	300	20A	49.1	57.8	5.2	2,98	2,66	2,42	2,24
651—3046375		UT 2.5-MT P/P	C	Gray	26-12	300	20A	49.1	57.8	5.2	3,11	2,77	2,52	2,34
651—3046388		UT 2.5-TG	C	Gray	26-12	300	20A	49.1	57.8	5.2	2,10	1,86	1,69	1,58
651—3046391		UT 2.5-TG P/P	C	Gray	26-12	300	20A	49.1	57.8	5.2	2,38	2,14	1,99	1,84
651—3046139		UT 4-MT	C	Gray	26-10	500*	16A*	47.5	56.8	6.2	2,40	2,15	2,00	1,81
651—3046171		UT 4-MT-P/P	C	Gray	26-10	500*	16A*	47.5	56.8	6.2	2,58	2,37	2,19	2,05
651—3047400		UTME 6	C	Gray	24-8	500V	30A	49.6	100.8	8.2	7,14	6,58	5,91	5,44
Fuse Terminal Blocks *If used as fuse terminal block.														
651—3046032		UT 4-HESI(5X20)	D	Black	26-10	250*	6.3A	73.0	56.8	6.2	4,62	4,06	3,98	3,61
651—3046090		UT 4-HESILED 24(5X20)	D	Black	26-10	250*	6.3A	73.0	56.8	6.2	7,43	6,61	6,01	5,59
651—3046100		UT 4-HESILA 250(5X20)	D	Black	26-10	250*	6.3A	73.0	56.8	6.2	7,64	6,86	6,25	5,95
651—3046401		UT 6-HESI (6.3X32)	D	Black	24-8	600V	10A	73	56.8	8.2	5,71	5,37	4,95	4,65
651—3046414		UT 6-HESILED 24(6.3X32)	D	Black	24-8	600V	10A	73	56.8	8.2	10,43	9,82	9,07	8,50
651—3046430		UT 6-HESILA 250(6.3X32)	D	Black	24-8	600V	10A	73	56.8	8.2	10,30	8,98	8,42	8,12
Plugs for Disconnect Terminal Blocks *If used as disconnect terminal block.														
651—3036796		P-CO	--	Gray	---	400*	6A	21.0	24.0	5.0	3,95	3,54	3,37	3,07
651—3036806		P-FU 5 X 20	--	Black	---	400*	6.3A	25.0	28.0	6.0	3,42	3,07	2,92	2,66
651—3036819		P-FU 5 X 20 LED 24	--	Black	---	400*	16A	25.0	28.0	6.0	7,69	6,90	6,53	5,96

UT4 WITH INTEGRATED GROUND (PE) FOOT

- Adds a ground claw/foot to the standard UT4 series.
- Same electrical specifications as standard UT4 terminal blocks
- Provides a reliable and space-saving termination for grounding
- Accepts CLIPLINE Complete marking solutions and accessories.
- Reakdyne Principle for safe and maintenance-free screw clamp connection

For quantities greater than listed, call for quote.

MOUSER STOCK NO.		Phoenix Type	Fig.	Color	AWG	Voltage Rating	Current Rating	Dimensions (mm)			Price Each			
Mfr.	Mfr. Part No.							H	L	W	1	10	50	100
651—3070024		UT 4-PE/TG	E	Gray	26-10	500V	20A	47.5	57.8	6.2	5,82	5,38	4,82	4,50
651—3070037		UT 4-PE/TG P/P	E	Gray	26-10	500V	20A	47.5	57.8	6.2	5,57	4,96	4,50	4,18
651—3046235		UT 4-PE/L-DIO R/L	-	Gray	26-10	500V	20A	47.5	57.8	6.2	7,20	6,41	5,83	5,42
651—3046834		UT 4-PE/L-DIO L/R	-	Gray	26-10	500V	20A	47.5	57.8	6.2	7,20	6,41	5,83	5,42
651—3073995		UT 4-PE/HESI	-	Black	26-10	500V	20A	80.5	57.8	6.2	7,87	7,21	6,67	6,20
651—3074004		UT 4-PE/HEDI	-	Black	26-10	500V	20A	80.5	57.8	6.2	8,65	8,32	7,46	6,98
651—3070011		UT 4-PE/MT	F	Gray	26-10	500V	20A	55	57.8	6.2	6,59	6,34	5,49	5,31
651—3046140		UT 4-PE/MT	F	Gray	26-10	500V	20A	55	57.8	6.2	6,77	6,03	5,48	5,10

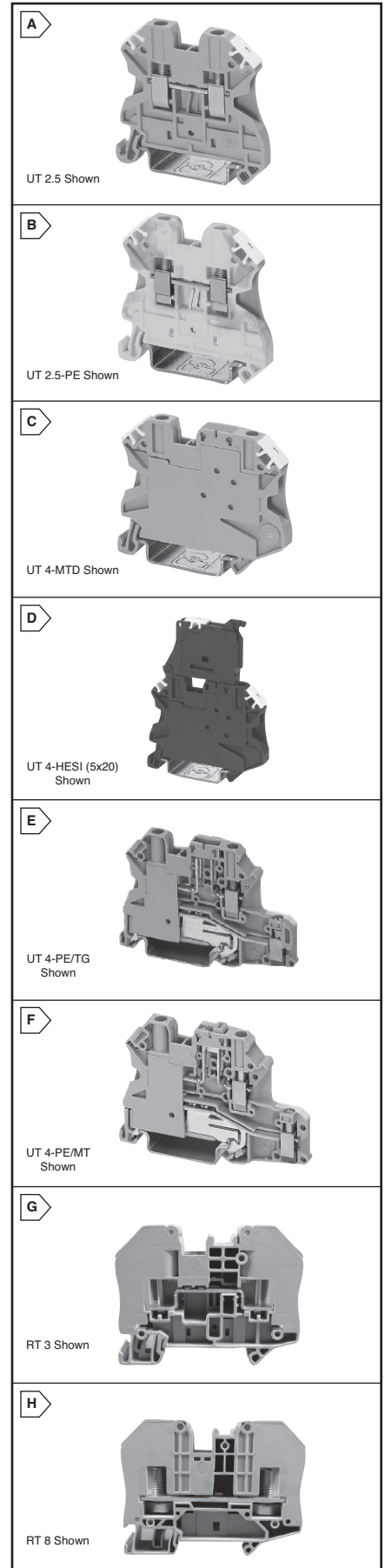
RT BOLT CONNECTION TERMINALS

For use with cable lugs up to 2.5mm². Unique, simple and fast connections is made possible by hinged cover wings which hold the terminal nuts captive. Once the flap is closed the terminal and bolt are automatically positioned and can be easily tightened.

- RoHS Compliant per Phoenix Documentation

For quantities greater than listed, call for quote.

MOUSER STOCK NO.		Phoenix Type	Fig.	Color	AWG	Voltage Rating	Current Rating	Dimensions (mm)			Price Each			
Mfr.	Mfr. Part No.							H	L	W	1	10	50	100
651—3049013		RT 3	G	Gray	26-14	1000	24A	43.5	66.0	12.3	2,84	2,42	2,26	2,08
651—3049026		RT 5	G	Gray	26-10	1000	41A	43.5	66.0	16.3	3,01	2,57	2,40	2,20
651—3049042		RT 8	H	Gray	14-2	1000	125A	56.3	84.0	20.3	6,81	6,25	5,82	5,49
651—3049411		RT 3 PE	G	Gr/Yel	26-14	1000	24A	43.5	66.0	12.3	5,22	4,74	4,53	4,03
651—3049424		RT 5 PE	G	Gr/Yel	26-10	1000	41A	43.5	66.0	16.3	5,97	5,43	5,19	4,61



Terminal Blocks
Phoenix Contact

PHOENIX CONTACT CLIPLINE COMPLETE - Four Terminal Block Technologies, One Common Line of Accessories



ST SPRING TERMINAL SPRING-CAGE CONNECTION

The proven connection system for vibration-sensitive applications. The spring cage always exerts a constant force on the conductor regardless of the operator actions. Wiring is simple and is performed via the space-saving front connection.

2-Conductor Feed-Thru Terminal Blocks

• RoHS Compliant per Phoenix Documentation

MOUSER STOCK NO.		Phoenix Type	Fig.	Color	AWG	Voltage Rating	Current Rating	Dimensions (mm)			Price Each			
Mfr.	Mfr. Part No.							H	L	W	1	10	50	100
651—3031076		ST 1.5	A	Gray	26-14	300	15A	36.5	48.5	4.2	0,96	0,866	0,818	0,75
651—3031212		ST 2.5	A	Gray	26-12	600	20A	36.5	48.5	5.2	1,06	0,949	0,908	0,817
651—3031364		ST 4	A	Gray	20-10	600	30A	36.5	56.0	6.2	1,25	1,12	1,06	0,974
651—3031487		ST 6	A	Gray	20-8	600	50A	43.5	69.5	8.2	1,82	1,63	1,53	1,42
651—3036110		ST 10	A	Gray	16-6	600	65A	50.5	71.5	10.2	2,10	1,89	1,79	1,64



For quantities greater than listed, call for quote.

3-Conductor Feed-Thru Terminal Blocks

• RoHS Compliant per Phoenix Documentation

MOUSER STOCK NO.		Phoenix Type	Fig.	Color	AWG	Voltage Rating	Current Rating	Dimensions (mm)			Price Each			
Mfr.	Mfr. Part No.							H	L	W	1	10	50	100
651—3031128		ST 1.5-TWIN	B	Gray	26-14	300	15A	36.5	60.5	4.2	1,08	0,932	0,833	0,816
651—3031131		ST 1.5-TWIN BU	B	Blue	26-14	300	15A	36.5	60.5	4.2	1,04	0,891	0,833	0,807
651—3031241		ST 2.5-TWIN	B	Gray	26-12	600	20A	36.5	60.5	5.2	1,22	1,05	0,982	0,949
651—3031393		ST 4-TWIN	B	Gray	20-10	600	30A	36.5	71.5	6.2	1,30	1,11	1,04	1,01



For quantities greater than listed, call for quote.

Double Level Feed-Thru Terminal Blocks

• RoHS Compliant per Phoenix Documentation

MOUSER STOCK NO.		Phoenix Type	Fig.	Color	AWG	Voltage Rating	Current Rating	Dimensions (mm)			Price Each			
Mfr.	Mfr. Part No.							H	L	W	1	10	50	100
651—3031157		STTB 1.5	C	Gray	26-14	300	15A	47.5	67.5	4.2	1,63	1,39	1,31	1,25
651—3031270		STTB 2.5	C	Gray	26-12	300	20A	47.5	67.5	5.2	2,36	2,12	1,78	1,56
651—3031429		STTB 4	C	Gray	20-10	300	30A	47.5	83.5	6.2	2,61	2,21	2,06	2,03



For quantities greater than listed, call for quote.

Ground Terminal Blocks

• RoHS Compliant per Phoenix Documentation

MOUSER STOCK NO.		Phoenix Type	Fig.	Color	AWG	Voltage Rating	Current Rating	Dimensions (mm)			Price Each			
Mfr.	Mfr. Part No.							H	L	W	1	10	50	100
651—3031513		ST 1.5-PE	D	Gr/Yel	26-14	---	---	36.5	48.5	4.2	3,18	2,69	2,52	2,48
651—3031238		ST 2.5-PE	D	Gr/Yel	26-12	---	---	36.5	48.5	5.2	3,80	3,40	3,24	2,95
651—3031380		ST 4-PE	D	Gr/Yel	20-10	---	---	36.5	56.0	6.2	3,82	3,42	3,02	2,97
651—3031500		ST 6-PE	D	Gr/Yel	20-8	---	---	43.5	69.5	8.2	4,77	4,03	3,80	3,72
651—3036136		ST 10-PE	D	Gr/Yel	16-6	---	---	50.5	71.5	10.2	5,45	4,90	4,33	4,24
651—3031144		ST 1.5-TWIN-PE	D	Gr/Yel	26-16	---	---	36.5	60.5	4.2	3,97	3,36	3,14	3,09
651—3031267		ST 2.5-TWIN-PE	D	Gr/Yel	26-12	---	---	36.5	60.5	5.2	4,31	3,65	3,42	3,36
651—3031416		ST 4-TWIN-PE	D	Gr/Yel	20-10	---	---	36.5	71.5	6.2	4,45	3,78	3,53	3,47
651—3031209		ST 1.5-QUATTRO-PE	D	Gr/Yel	26-16	---	---	36.5	72.0	4.2	4,39	4,24	4,10	3,69
651—3031322		ST 2.5-QUATTRO-PE	D	Gr/Yel	26-12	---	---	36.5	72.0	5.2	5,62	4,80	4,50	4,36
651—3031461		ST 4-QUATTRO-PE	D	Gr/Yel	20-10	---	---	36.5	87.0	6.2	5,67	4,85	4,55	4,40
651—3036013		STTB 1.5-PE	D	Gr/Yel	26-14	---	---	47.5	67.5	4.2	5,38	4,55	4,27	4,19
651—3036026		STTB 2.5-PE	D	Gr/Yel	26-12	---	---	47.5	67.5	5.2	7,66	6,49	6,08	5,98
651—3036039		STTB 4-PE	D	Gr/Yel	20-10	---	---	47.5	83.5	6.2	8,08	7,28	6,82	6,29
651—3036440		STS 4-PE	D	Gr/Yel	24-10	---	---	50.5	64.5	6.2	3,81	3,42	3,26	2,96
651—3038147		STS 6-PE	D	Gr/Yel	24-8	---	---	57.5	58.0	8.2	4,78	4,29	4,08	3,71



For quantities greater than listed, call for quote.

Fuse Terminal Blocks

• RoHS Compliant per Phoenix Documentation

* The max. load current must be < the total current of all connected conductors.

MOUSER STOCK NO.		Phoenix Type	Fig.	Color	AWG	Voltage Rating	Current Rating	Dimensions (mm)			Price Each			
Mfr.	Mfr. Part No.							H	L	W	1	10	50	100
651—3036385		ST 4-HESI(6.3X32)	E	Black	24-10	400	10A	69.0	76.5	8.2	5,60	5,25	4,99	4,81
651—3036369		ST 4-HESI(5X20)	E	Black	24-10	300	6A	62.5	61.5	6.2	4,80	4,49	4,13	4,10



For quantities greater than listed, call for quote.

QT QUICKON TERMINAL FAST CONNECTION

Connect the conductor without having to strip it first. The quick connection system permits a drastic reduction of anything up to 60% in wiring time. The conductor connection is simple, reliable and fast, requiring only the aid of a standard screw driver.

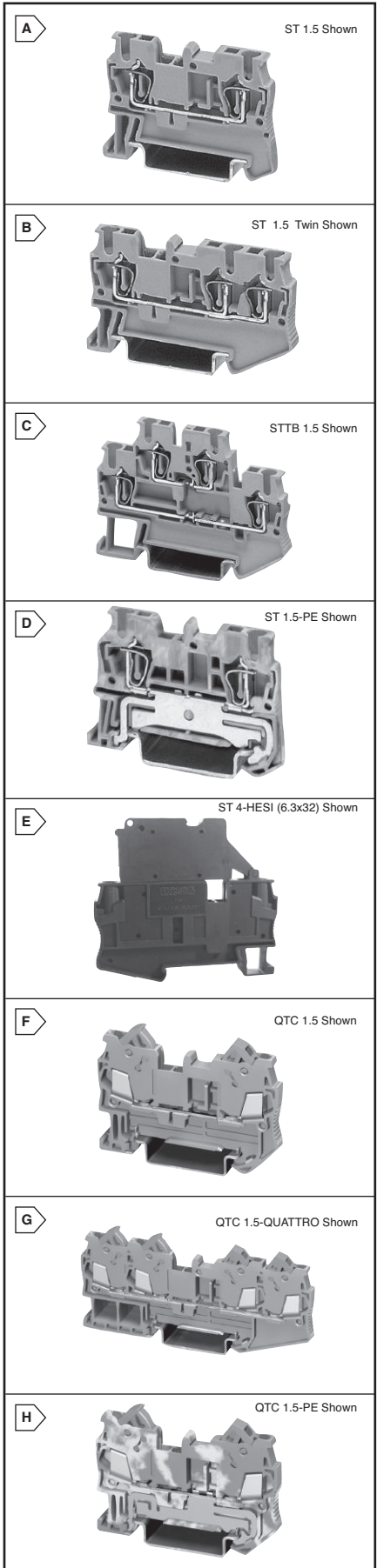
• RoHS Compliant per Phoenix Documentation

MOUSER STOCK NO.		Phoenix Type	Fig.	Color	AWG	Voltage Rating	Current Rating	Dimensions (mm)			Price Each			
Mfr.	Mfr. Part No.							H	L	W	1	10	50	100
651—3205019		QTC 1.5	F	Gray	24-16	800	17.5A	39.3	58.8	5.2	1,11	0,998	0,941	0,85
651—3205022		QTC 1.5 BU	F	Blue	24-16	800	17.5A	39.3	58.8	5.2	1,11	0,998	0,941	0,85
651—3206416		QTC 2.5	F	Gray	20-14	800	24A	39.3	62.6	6.2	1,27	1,16	1,07	0,982
651—3206429		QTC 2.5 BU	F	Blue	20-14	800	24A	39.3	62.6	6.2	0,91	0,90	0,84	0,791

MOUSER STOCK NO.		Phoenix Type	Fig.	Color	AWG	Voltage Rating	Current Rating	Dimensions (mm)			Price Each			
Mfr.	Mfr. Part No.							H	L	W	1	10	50	100
651—3205077		QTC 1.5-QUATTRO	G	Gray	24-16	800	17.5A*	39.3	94.0	5.2	2,01	1,81	1,71	1,56
651—3205080		QTC 1.5-QUATTRO BU	G	Blue	24-16	800	17.5A*	39.3	94.0	5.2	1,72	1,64	1,59	1,56

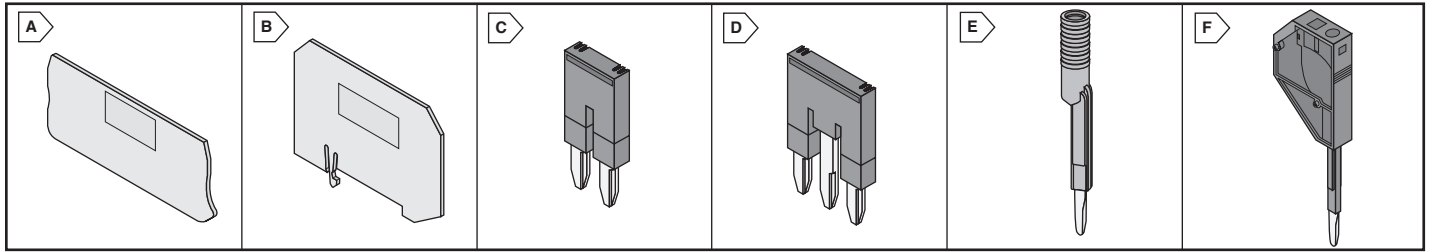
MOUSER STOCK NO.		Phoenix Type	Fig.	Color	AWG	Voltage Rating	Current Rating	Dimensions (mm)			Price Each			
Mfr.	Mfr. Part No.							H	L	W	1	10	50	100
651—3205035		QTC 1.5-PE	H	Gr/Yel	24-16	---	---	39.3	58.8	5.2	3,70	3,32	3,15	2,87
651—3205064		QTC 1.5-TWIN-PE	H	Gr/Yel	24-16	---	---	39.3	76.4	5.2	4,60	4,12	3,92	3,56
651—3205093		QTC 1.5-QUATTRO-PE	H	Gr/Yel	24-16	---	---	39.3	94.0	5.2	4,88	4,37	4,16	3,79

For quantities greater than listed, call for quote.



PHOENIX CONTACT CLIPLINE Complete Accessories

CLIPLINE COMPLETE - Four Terminal Block Technologies, One Common Line of Accessories



END COVERS

• RoHS compliant per Phoenix documentation



RoHS Compliant For quantities greater than listed, call for quote.

MOUSER STOCK NO. Mfr. Mfr. Part No.	Phoenix Type	Fig.	Color	Series	Description	Price Each			
						1	10	50	100
651—3047028	D-UT 2.5/10	A	Gray	UT	End Cover for UT 2.5, UT4, UT 6, and UT 10 Terminal Blocks	0,49	0,413	0,396	0,361
651—3047141	D-UT 2.5/4-TWIN	A	Gray	UT	End Cover for UT 4-MTD Terminal Blocks	0,50	0,42	0,395	0,361
651—3047154	D-UT 2.5/1P	A	Gray	UT	End Cover for UT 2.5/1P Terminal Blocks	0,56	0,493	0,476	0,432
651—3030417	D-ST 2.5	A	Gray	ST / DT	End Cover for ST 1.5, ST 2.5, DT 2.5 Terminal Blocks	0,56	0,50	0,474	0,431
651—3030514	D-ST 2.5-QUATTRO	A	Gray	ST	End Cover for ST 1.5-Quattro, ST 2.5-Quattro Terminal Blocks	0,54	0,48	0,464	0,423
651—3030488	D-ST 2.5-TWIN	A	Gray	ST	End Cover for ST-1.5-Twin, ST-2.5-Twin Terminal Blocks	0,59	0,526	0,50	0,457
651—3030420	D-ST 4	A	Gray	ST	End Cover for ST 4 Terminal Blocks	0,63	0,551	0,526	0,483
651—3030527	D-ST 4-QUATTRO	A	Gray	ST	End Cover for ST 4-Quattro Terminal Blocks	0,64	0,56	0,54	0,495
651—3030491	D-ST 4-TWIN	A	Gray	ST	End Cover for ST 4-Twin Terminal Blocks	0,60	0,543	0,509	0,465
651—3030433	D-ST 6	A	Gray	ST	End Cover for ST 6 Terminal Blocks	0,62	0,55	0,525	0,482
651—3030459	D-STTB 2.5	A	Gray	ST	End Cover for STTB 1.5, STTB 2.5 Terminal Blocks	0,56	0,50	0,488	0,431
651—3030462	D-STTB 4	A	Gray	ST	End Cover for STTB 4 Terminal Blocks	0,64	0,567	0,541	0,489
651—3031762	D-ST 2.5	A	Gray	ST	End Cover for STS 2.5 Terminal Blocks	0,46	0,41	0,39	0,358
651—3031704	D-ST 4	A	Gray	ST	End Cover for STS 4 Terminal Blocks	0,45	0,426	0,422	0,40
651—3038189	D-ST 6	A	Gray	ST	End Cover for STS-6 Terminal Blocks	0,50	0,451	0,439	0,394
651—3205161	D-QTC 1.5	A	Gray	QT	End Cover for QTC 1.5 Terminal Blocks	0,59	0,543	0,508	0,465
651—3205190	D-QTC 1.5-TWIN	A	Gray	QT	End Cover for QTC 1.5-Twin, QTC 1.5-TG Terminal Blocks	0,64	0,56	0,54	0,495
651—3205174	D-QTC 1.5-QUATTRO	A	Gray	QT	End Cover for QTC-1.5-Quattro Terminal Blocks	0,62	0,551	0,525	0,482

SEPARATING PLATES

• RoHS compliant per Phoenix documentation



RoHS Compliant For quantities greater than listed, call for quote.

651—Mfr. Part No.	ATP-UT	Fig.	Color	Series	Description	Price Each			
						1	10	50	100
651—3047167	ATP-UT	B	Gray	UT	Separating Plate for UT 2.5, UT 4, UT 6, UT 10, & UT 2.5/1P Terminal Blocks	0,54	0,496	0,453	0,402
651—3030721	ATP-ST 4	B	Gray	ST / DT	Separating Plate for ST 1.5, ST 2.5, ST 4, & DT 2.5 Terminal Blocks	0,56	0,493	0,476	0,432
651—3030815	ATP-ST4-QUATTRO	B	Gray	ST	Separating Plate for ST 1.5-Quattro, ST 2.5-Quattro, ST 4-Quattro Terminal Blocks	0,80	0,707	0,672	0,612
651—3030789	ATP-ST4-TWIN	B	Gray	ST	Separating Plate for ST 1.5-Twin, ST 2.5-Twin, & ST 4-Twin Terminal Blocks	0,70	0,63	0,602	0,545
651—3030747	ATP-STTB-4	B	Gray	ST	Separating Plate for STTB 1.5, STTB 2.5, STTB 4 Terminal Blocks	0,86	0,765	0,73	0,662
651—3024481	ATP-ZFK 2.5/6	B	Gray	ST	Separating Plate for STS 6 Terminal Blocks	0,42	0,378	0,352	0,326
651—3206209	ATP-QTC	B	Gray	QT	Separating Plate for QTC 1.5 & QTC 2.5 Terminal Blocks	0,50	0,444	0,421	0,385
651—3206212	ATP-QTC-TWIN	B	Gray	QT	Separating Plate for QTC 1.5-Twin & QTC 1.5-TG Terminal Blocks	0,62	0,55	0,525	0,482
651—3206225	ATP-QTC-QUATTRO	B	Gray	QT	Separating Plate for QTC 1.5-Quattro Terminal Blocks	0,67	0,592	0,567	0,515

STEP-DOWN BRIDGING

• RoHS compliant per Phoenix documentation



RoHS Compliant For quantities greater than listed, call for quote.

651—Mfr. Part No.	RB UT-(2.5/4)	Fig.	Color	Series	Description	Price Each			
						1	10	50	100
651—3047060	RB UT-(2.5/4)	C	Red	UT	From connection UT 10 to UT 2.5 or UT 4	2,84	2,52	2,33	2,12
651—3047086	RB UT-10-ST(2.5/4)	C	Red	UT	From Connection UT 10 to QTC 1.5 or QTC2.5, or DT 2.5, or ST 2.5 or ST 4	2,83	2,54	2,32	2,19
651—3038943	RB-ST(2.5/4)-1.5	C	Red	ST	From Connection ST 4 to ST 1.5	1,31	1,18	1,11	1,01
651—3030860	RB ST 6-(2.5/4)	C	Red	ST / QT	From Connection ST 6 to DT 2.5, or ST 2.5 or ST 4, or QTC 1.5 or QTC 2.5	1,32	1,12	1,07	1,01
651—3030873	RB ST 10-(2.5/4)	C	Red	ST / QT	From Connection ST 10 to DT 2.5, or ST 2.5 or ST 4, or QTC 1.5 or QTC 2.5	3,03	2,62	2,45	2,35

BRIDGES

• RoHS compliant per Phoenix documentation



RoHS Compliant For quantities greater than listed, call for quote.

MOUSER STOCK NO. Mfr. Mfr. Part No.	Phoenix Type	Fig.	Color	No. of Pos.	Terminal Block Series	Price Each			
						1	10	50	100
651—3030161	FBS 2.5	D	Red	2	UT 2.5, UT 2.5/1P, STS 2.5, DT 2.5, QTC 1.5, 1.5-Twin, 1.5-Quattro, 1.5-TG, QTCU1.5-Twin	0,44	0,38	0,36	0,334
651—3030336	FBS 2.6	D	Red	2	UT 4, UT 4-MT/TG, UT 4 HESI/HEDI, UT 4-MTD, STS 4, QTC 2.5	0,42	0,371	0,346	0,32
651—3030284	FBS 2.8	D	Red	2	UT 6, STS 6	0,54	0,478	0,452	0,409
651—3005947	FBS 2.10	D	Red	2	UT 10	1,63	1,46	1,39	1,26
651—3030174	FBS 3.5	D	Red	3	UT 2.5, UT 2.5/1P, STS 2.5, DT 2.5, QTC 1.5, 1.5-Twin, 1.5-Quattro, 1.5-TG, QTCU1.5-Twin	0,84	0,749	0,714	0,647
651—3030242	FBS 3.6	D	Red	3	UT 4, UT 4-MT/TG, UT 4 HESI/HEDI, UT 4-MTD, STS 4, QTC 2.5	0,84	0,749	0,714	0,647
651—3030297	FBS 3.8	D	Red	3	UT 6, STS 6	1,10	0,99	0,932	0,85
651—3030187	FBS 4.5	D	Red	4	UT 2.5, UT 2.5/1P, STS 2.5, DT 2.5, QTC 1.5, 1.5-Twin, 1.5-Quattro, 1.5-TG, QTCU1.5-Twin	1,31	1,18	1,11	1,01
651—3030255	FBS 4.6	D	Red	4	UT 4, UT 4-MT/TG, UT 4 HESI/HEDI, UT 4-MTD, STS 4, QTC 2.5	1,31	1,11	1,06	1,01
651—3030307	FBS 4.8	D	Red	4	UT 6, STS 6	1,77	1,53	1,44	1,38
651—3030190	FBS 5.5	D	Red	5	UT 2.5, UT 2.5/1P, STS 2.5, DT 2.5, QTC 1.5, 1.5-Twin, 1.5-Quattro, 1.5-TG, QTCU1.5-Twin	1,63	1,40	1,32	1,26
651—3030349	FBS 5.6	D	Red	5	UT 4, UT 4-MT/TG, UT 4 HESI/HEDI, UT 4-MTD, STS 4, QTC 2.5	1,63	1,46	1,32	1,26
651—3030310	FBS 5.8	D	Red	5	UT 6, STS 6	2,10	1,95	1,65	1,40
651—3030213	FBS 10.5	D	Red	10	UT 2.5, UT 2.5/1P, STS 2.5, DT 2.5, QTC 1.5, 1.5-Twin, 1.5-Quattro, 1.5-TG, QTCU1.5-Twin	3,02	2,92	2,21	2,15
651—3030271	FBS 10.6	D	Red	10	UT 4, UT 4-MT/TG, UT 4 HESI/HEDI, UT 4-MTD, STS 4, QTC 2.5	3,26	2,92	2,78	2,53
651—3030323	FBS 10.8	D	Red	10	STS 6	4,46	3,83	3,59	3,46
651—3030226	FBS 20.5	D	Red	20	UT 2.5, UT 2.5/1P, STS 2.5, DT 2.5, QTC 1.5, 1.5-Twin, 1.5-Quattro, 1.5-TG, QTCU1.5-Twin	6,81	6,11	5,80	5,28
651—3030365	FBS 20.6	D	Red	20	UT 4, UT 4-MT/TG, UT 4 HESI/HEDI, UT 4-MTD, STS 4, QTC 2.5	6,81	6,11	5,80	5,28

TEST ADAPTERS

• RoHS compliant per Phoenix documentation



RoHS Compliant For quantities greater than listed, call for quote.

MOUSER STOCK NO. Mfr. Mfr. Part No.	Phoenix Type	Fig.	Color	Terminal Block Series	Price Each			
					1	10	50	100
651—3030925	PAI 4	E	Gray	UT 2.5,4,6,4-MT/TG,4-MTD,2.5/1P, STS 2.5,4,6, DT 2.5, QTC 1.5, 1.5-Twin,1.5-Quattro,1.5-TG, QTCU1.5-TWIN	7,51	6,73	6,50	5,82

TEST PLUGS

• RoHS compliant per Phoenix documentation



RoHS Compliant For quantities greater than listed, call for quote.

651—Mfr. Part No.	PS-5	Fig.	Color	Terminal Block Series	Price Each			
					1	10	50	100
651—3030983	PS-5	F	Red	UT 2.5, UT 2.5/1P, STS 2.5, DT 2.5, QTC 1.5, 1.5-Twin, 1.5-Quattro, 1.5-TG, QTCU1.5-Twin	5,87	5,26	5,01	4,56
651—3030996	PS-6	F	Red	UT 4, UT 4-MT/TG, UT 4-MTD, STS 4, QTC 2.5	6,05	5,43	5,16	4,70
651—3031005	PS-8	F	Red	UT 6, STS 6	6,46	5,80	5,50	5,02

© Copyright 2012 Mouser Electronics

© Copyright 2012 Mouser Electronics

PHOENIX CONTACT DIN Rail Mounted Terminal Blocks



DIN RAIL MOUNTED TERMINAL FUSE BLOCKS

DIMENSIONS (mm)

A	B	C	D	E	F	G	H
<ul style="list-style-type: none"> Width: 17.5mm Fuse Size: 10.3x38 18-4AWG (UL) 600V (UL) 30A (UL) Color: Black 	<ul style="list-style-type: none"> Width: 36mm Fuse Size: 20.6x57 18-14WG (UL) 600V (UL) 60A (UL) Color: Black 	<ul style="list-style-type: none"> Width: 40mm Fuse Size: 27x60 14-1AWG (UL) 600V (UL) 60A (UL) Color: Black 	<ul style="list-style-type: none"> Width: 8.2mm Fuse Size: 5x20mm, 5x25mm, 5x30mm 26-10AWG (UL) 600V (UL) 12A (UL) Color: Black 	<ul style="list-style-type: none"> Width: 10.2mm Fuse Size: 6.3x32mm 26-8 AWG (UL) 600V (UL) 25A (UL) Color: Black 	<ul style="list-style-type: none"> Width: 18mm Fuse Size: 10.3x38mm 16-4AWG (UL) 600V (UL) 30A (UL) Color: Black 	<ul style="list-style-type: none"> Width: 8.2mm Fuse Size: 5x20mm, 6.3x32mm 24-8AWG (UL) 15A upper/30A lower (UL) 600V (UL) Color: Black 	<ul style="list-style-type: none"> Width: 8.2mm Fuse Size: 6.3x32mm 24-8AWG (UL) 15A upper/ 30A lower (UL) 600V (UL) Color: Black

Fuse Terminal Blocks with Disconnect Lever

For quantities greater than listed, call for quote. Accessories (See accessories page for pricing and descriptions)

MOUSER STOCK NO.	Fig.	Phoenix Type	Description	Dimensions (mm)			Price Each			Insertion Bridge	Fixed Bridge	Screwdriver	End Bracket	Din Rail Type
				A	B		1	10	50					
Branch Circuit Protection - Class CC and J														
651-3048580	A	UK 10.3-CC HESI	For Class CC fuses	81	73	9,94	8,98	8,89	651-3009299	-	651-1205066	-	NS 35	
651-3048616	A	UK 10.3-CC HESILED	For Class CC fuses w/ LED, 110-600V	81	73	16,40	14,84	14,67	651-3009367	-	651-1205066	-	NS 35	
651-3211058	B	UK 20.6-J HESI	For Class J fuses	118	96.5	22,37	20,95	19,99	-	-	651-1205066	-	NS 35	
651-3211087	B	UK 20.6-J HESILED	For Class J fuses w/ LED, 110-600V	118	96.5	28,33	26,53	25,33	-	-	651-1205066	-	NS 35	
651-3211113	C	UK 27-J HESI	For Class J fuses	118	96.5	29,94	28,03	26,76	-	-	651-1205066	-	NS 35	
651-3211142	C	UK 27-J HESILED	For Class J fuses w/ LED, 110-600V	118	96.5	35,73	33,48	31,94	-	-	651-1205066	-	NS 35	
Fuse Terminal Blocks with Disconnect Lever														
651-3004100	D	UK 5 HESI	Fuse Block	72.5	56.5	6,27	5,78	5,41	651-3118135	-	651-1205053	651-0800886	NS 35	
651-3004126	D	UK 5 HESILED 24	Fuse Block w/ LED, 15-30V	72.5	56.5	9,05	8,47	8,09	651-3118135	-	651-1205053	651-0800886	NS 35	
651-3004142	D	UK 5 HESILA 250	Fuse Block w/ LED, 110-250V	72.5	56.5	9,05	8,47	8,09	651-3118135	-	651-1205053	651-0800886	NS 35	
651-3004171	E	UK 6.3 HESI	Fuse Block	79	60.5	7,55	6,83	6,59	651-0203137	-	651-1205066	651-0800886	NS 35	
651-3004265	E	UK 6.3 HESILED 24	Fuse Block w/ LED, 15-30V	79	60.5	11,28	10,57	10,08	651-0203137	-	651-1205066	651-0800886	NS 35	
651-3004249	E	UK HESILA 250	Fuse Block w/ LED, 110-250V	79	60.5	11,28	10,57	10,08	651-0203137	-	651-1205066	651-0800886	NS 35	
651-3048386	F	UK 10.3 HESI N	Fuse Block	81	79	9,47	8,87	8,47	651-3009299	-	651-1205066	651-0800886	NS 35	
651-3048399	F	UK 10.3 HESILED N 690	Fuse Block w/ LED, 220-690V	81	79	15,68	14,68	14,01	651-3009367	-	-	-	-	
651-3007204	G	UKK 5 HESI (5x20)	Fuse Block	86.5	79	12,73	12,07	11,13	-	651-2772080	651-1205053	651-0800886	NS 35	
651-3026654	G	UKK5 HESILED 24 (5x20)	Fuse Block w/LED, 15-30V	86.5	79	19,52	17,89	16,54	-	651-2772080	651-1205053	651-0800886	NS 35	
651-0711629	G	UKK 5 HESILA 250 (5x20)	Fuse Block w/ LED, 110-250V	86.5	79	19,27	18,06	16,93	-	651-2772080	651-1205053	651-0800886	NS 35	
651-3007217	H	UKK 5 HESI (6.3x32)	Fuse Block	86.5	79	14,16	12,80	12,23	-	651-2772080	651-1205053	651-0800886	NS 35	
651-0711632	H	UKK 5 HESILED 24 (6.3x32)	Fuse Block w/ LED for 15-30V	86.5	79	20,35	18,66	17,25	-	651-2772080	651-1205053	651-0800886	NS 35	
651-0711616	H	UKK5 HESILA 250 (6.3x32)	Fuse Block w/ LED, 110-250V	86.5	79	22,22	18,99	17,93	-	651-2772080	651-1205053	651-0800886	NS 35	

<p>DIKD 1.5TG</p> <ul style="list-style-type: none"> Width: 6.2mm 30-14AWG (UL) 300V (UL) 15A (UL) 3 Levels Color: Gray 	<p>DIK 1.5</p> <ul style="list-style-type: none"> Width: 6.2mm 30-14AWG (UL) 300V (UL) 15A (UL) 3 Levels Color: Gray 	<p>DIKD 1.5</p> <ul style="list-style-type: none"> Requires fuse plug Width: 6.2mm 28-12AWG (UL) 300V (UL) 6.3A (UL) Color: Gray
<p>UK 4-TG</p> <ul style="list-style-type: none"> Requires fuse plug Width: 6.2mm 30-12AWG (UL) 300V (UL) 15A (UL) Color: Gray 	<p>UDK 4-TG</p> <ul style="list-style-type: none"> Requires fuse plug Width: 6.2mm 26-12AWG (UL) 300V (UL) 15A (UL) 15A upper/ 25A lower (UL) Color: Gray 	<p>UKK5-TG</p> <ul style="list-style-type: none"> Requires fuse plug Width: 6.2mm 30-14AWG (UL) 300V (UL) 15A (UL) 3 Levels Color: Gray

Three Level Sensor Terminal Blocks

For quantities greater than listed, call for quote. Accessories (See accessory page for pricing and descriptions)

MOUSER STOCK NO.	Fig.	Phoenix Type	Dimensions (mm)			Price Each			Partition Plate	Fixed Bridge	Insertion Bridge	Fuse Plug	Fusle 30V Light	Fuse 250V Light	Screwdriver	End Bracket	Din Rail Type
			A	B		1	10	50									
651-2774237	A	DIKD 1.5 TG	72.5	54.5	7,38	6,62	6,29	651-1413285	-	651-2715940	651-0921011	651-0921037	651-0921053	651-1205053	651-0800886	NS 35	
651-2715966	B	DIK 1.5	55.0	54.5	2,91	2,83	2,76	651-1413272	651-2715953	651-2715940	-	-	-	651-1205053	651-0800886	NS 35	
651-2715979	C	DIKD 1.5	72.5	54.5	7,08	6,34	6,03	651-1413285	651-2715953	651-2715940	-	-	-	651-1205053	651-0800886	NS 35	

Base Terminal Blocks for Cartridge Fuse

For quantities greater than listed, call for quote. Accessories (See accessory page for pricing and descriptions)

MOUSER STOCK NO.	Fig.	Phoenix Type	Dimensions (mm)			Price Each			End Cover	Partition Plate	Fixed Bridge	Insertion Bridge	Fuse Plug	Fuse 30V Light	Screwdriver	End Bracket	Din Rail Type
			A	B		1	10	50									
651-2812018	D	UK 4 -TG	42.5	47.0	3,84	3,21	2,72	651-3003020	651-3003224	-	651-0201139	651-0921011	651-0921037	651-0921053	651-0800886	NS 35	
651-2777014	E	UDK 4-TG	63.5	47.0	3,97	3,32	2,81	651-2777027	-	651-0203250	651-0201139	651-0921011	651-0921037	651-0921053	651-0800886	NS 35	
651-3007042	F	UKK 5-TG	80.0	68.5	9,21	8,62	7,99	-	-	651-0203250	651-0201139	651-0921011	651-0921037	651-0921053	651-0800886	NS 35	

PHOENIX CONTACT DIN Rail Terminal Blocks



UK UNIVERSAL DIN RAIL TERMINAL BLOCKS

* Screw cage clamp connections * Contacts made from nickel plated copper alloy

For quantities greater than listed, call for quote.

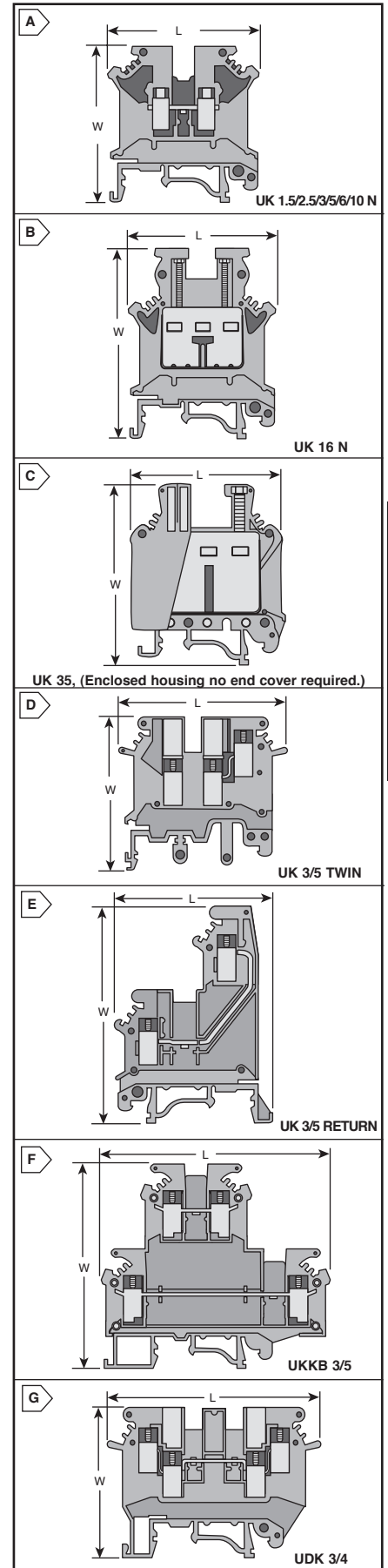
MOUSER STOCK NO.	Mfr.	Mfr. Part No.	Fig.	Phoenix Type	Color	AWG	Voltage Rating	Current Rating	Dimensions (mm)			Price Each			
									H	L	W	1	10	50	100
Universal Feed-Thru Terminal Blocks															
651-3005837	A	UK 1.5 N		UK 1.5 N	Gray	30-14	300	15	42	42.5	4.2	1.54	1.39	1.27	1.20
651-3005840	A	UK 1.5 N BU		UK 1.5 N BU	Blue	30-14	300	15	42	42.5	4.2	1.63	1.42	1.33	1.26
651-3003347	A	UK 2.5 N		UK 2.5 N	Gray	30-12	300	20	42	42.5	5.2	1.48	1.32	1.21	1.14
651-3003350	A	UK 2.5 N BU		UK 2.5 N BU	Blue	30-12	300	20	42	42.5	5.2	1.48	1.32	1.21	1.14
651-3001501	A	UK 3 N		UK 3 N	Gray	28-12	600	20	47	42.5	5.2	1.43	1.28	1.21	1.11
651-3001514	A	UK 3 N BU		UK 3 N BU	Blue	28-12	600	20	47	42.5	5.2	1.38	1.23	1.21	1.11
651-3004362	A	UK 5 N		UK 5 N	Gray	30-10	600	30	47	42.5	6.2	0.89	0.888	-	0.70
651-3004388	A	UK 5 N BU		UK 5 N BU	Blue	30-10	600	30	47	42.5	6.2	1.63	1.45	1.32	1.25
651-3004524	A	UK 6 N		UK 6 N	Gray	26-8	600	50	47	42.5	8.2	2.02	1.81	1.64	1.57
651-3004977	A	UK 6 N BU		UK 6 N BU	Blue	26-8	600	50	47	42.5	8.2	2.62	2.36	2.14	2.04
651-3005073	A	UK 10 N		UK 10 N	Gray	24-6	600	65	47	42.5	10.2	2.66	2.38	2.17	2.07
651-3005086	A	UK 10 N BU		UK 10 N BU	Blue	24-6	600	65	47	42.5	10.2	6.40	5.54	5.20	4.97
651-3006043	B	UK 16 N		UK 16 N	Gray	22-4	600	85	54	42.5	12.2	4.45	3.85	3.61	3.45
651-3006056	B	UK 16 N BU		UK 16 N BU	Blue	22-4	600	85	54	42.5	12.2	9.75	8.45	7.93	7.57
651-3008012	C	UK 35		UK 35	Gray	18-1/0	1000	150	62	50	15.2	11.06	9.92	8.98	8.59
651-3008025	C	UK 35 BU		UK 35 BU	Blue	18-1/0	1000	150	62	50	15.2	11.48	9.94	9.33	8.92
Universal Ground Terminal Blocks															
651-3005853	-	USLKG 1.5 N		USLKG 1.5 N	Gr/Yel	30-14	-	-	42	42.5	4.2	11.71	11.11	10.22	9.33
651-0441119	-	USLKG 2.5 N		USLKG 2.5 N	Gr/Yel	30-12	-	-	42	42.5	5.2	6.00	5.38	4.88	4.66
651-0441083	-	USLKG 3		USLKG 3	Gr/Yel	28-12	-	-	47	42.5	2.2	6.20	5.57	5.05	4.82
651-0441504	-	USLKG 5		USLKG 5	Gr/Yel	26-10	-	-	47	42.5	6.2	5.73	5.14	4.65	4.56
651-0442079	-	USLKG 6 N		USLKG 6 N	Gr/Yel	26-8	-	-	47	42.5	8.2	6.45	5.78	5.24	5.00
651-3003923	-	USLKG 10 N		USLKG 10 N	Gr/Yel	24-6	-	-	47	42.5	10.2	7.01	6.29	5.69	5.44
651-0443023	-	USLKG 16 N		USLKG 16 N	Gr/Yel	22-4	-	-	54	42.5	12.2	9.34	8.37	7.60	7.24
651-0444019	-	USLKG 35		USLKG 35	Gr/Yel	18-1/0	-	-	62	50	15.2	14.58	13.96	12.78	12.07
Universal Twin Conductor Feed Thru Terminal Blocks															
651-3002225	D	UK 3-TWIN		UK 3-TWIN	Gray	30-12	300	20	47	50.5	5.2	3.31	3.25	3.19	2.86
651-3002416	D	UK 3-TWIN BU		UK 3-TWIN BU	Blue	30-12	300	20	47	50.5	5.2	3.48	2.99	2.81	2.70
651-1923021	D	UK 5-TWIN		UK 5-TWIN	Gray	30-10	300	30	47	50.5	6.2	2.99	2.93	2.89	2.60
651-1923047	D	UK 5-TWIN BU		UK 5-TWIN BU	Blue	30-10	300	30	47	50.5	6.2	3.08	3.03	2.97	2.68
Universal Twin Ground Terminal Blocks															
651-1923128	-	UK 3-TWIN-PE		UK 3-TWIN-PE	Gr/Yel	30-12	-	-	47	50.5	5.2	8.29	7.43	6.74	6.44
651-1923076	-	UK 5-TWIN-PE		UK 5-TWIN-PE	Gr/Yel	30-10	-	-	47	50.5	6.2	8.21	7.36	6.67	6.37
Universal Return Terminal Blocks															
651-3002513	E	UK 3 RETURN		UK 3 RETURN	Gray	30-12	300	20	58.5	47.5	5.2	2.53	2.45	2.36	2.13
651-3002568	E	UK 3 RETURN BU		UK 3 RETURN BU	Blue	30-12	300	20	58.5	47.5	5.2	2.58	2.21	2.09	2.00
651-3002597	E	UK 5 RETURN		UK 5 RETURN	Gray	30-10	300	30	58.5	47.5	6.2	2.99	2.65	2.79	2.51
651-3002490	E	UK 5 RETURN BU		UK 5 RETURN BU	Blue	30-10	300	30	58.5	47.5	6.2	3.04	2.62	2.44	2.36
Universal Return Ground Terminal Blocks															
651-3002555	-	UK 3 RETURN PE		UK 3 RETURN PE	Gr/Yel	30-10	-	-	58.5	42.5	5.2	8.27	7.41	6.65	6.41
651-3002584	-	UK 5 RETURN PE		UK 5 RETURN PE	Gr/Yel	30-10	-	-	58.5	42.5	6.2	7.92	7.11	6.38	6.15
Universal Double Level Terminal Blocks - Double Feed Thru															
651-2771010	F	UKKB 3		UKKB 3	Gray	28-12	600	20	62	67	5.2	5.82	5.21	4.96	4.51
651-2771094	F	UKKB 3 BU		UKKB 3 BU	Blue	28-12	600	20	62	67	5.2	5.82	5.21	4.96	4.51
651-2771146	F	UKKB 5		UKKB 5	Gray	26-10	600	30	62	67	6.2	5.59	5.01	4.77	4.33
Universal Double Level Ground Terminal Block															
651-3007123	-	UKKB 5-PE		UKKB 5-PE	Gr/Yel	26-10	-	-	62	67	6.2	13.21	12.34	11.57	10.94
Universal Double Level Terminal Blocks - Single Feed Thru															
651-2775375	G	UDK 3		UDK 3	Gray	30-12	300	20	47	63.5	5.2	3.52	3.49	3.41	3.07
651-2775016	G	UDK 4		UDK 4	Gray	30-10	600	30	47	63.5	6.2	3.10	2.65	2.44	2.16
Universal Double Level Ground Terminal Block															
651-2775456	-	UDK 3-PE		UDK 3-PE	Gr/Yel	30-12	-	-	47	63.5	5.2	11.55	11.34	10.77	9.81
651-2775184	-	UDK 4-PE		UDK 4-PE	Gr/Yel	30-10	-	-	47	63.5	6.2	8.76	7.85	7.47	6.80



RoHS Compliant

For quantities greater than listed, call for quote.

MOUSER STOCK NO.	Mfr.	Mfr. Part No.	Phoenix Type	Color	Description	Price Each			
						1	10	50	100
Universal DIN Rail Terminal Block Accessories									
651-3001022		D-UK 2.5		Gray	End Cover for UK 1.5/2.5	0,86	0,765	0,687	0,662
651-3001103		D-UK 2.5 BU		Blue	End Cover for UK 1.5/2.5 BU	0,80	0,72	0,69	0,627
651-3003020		D-UK 4/10		Gray	End Cover for UK 3/5/6/10	0,88	0,781	0,738	0,678
651-3003101		D-UK 4/10 BU		Blue	End Cover for UK 3/5/6/10 BU	0,82	0,74	0,70	0,643
651-3006027		D-UK 16		Gray	End Cover for UK 16	1,06	0,949	0,908	0,817
651-3006108		D-UK 16 BU		Blue	End Cover for UK 16 BU	1,06	0,924	0,858	0,817
651-3002539		D-UK 3-RETURN		Gray	End Cover for UK 3 Return	0,92	0,82	0,78	0,716
651-3002571		D-UK 3-RETURN BU		Blue	End Cover for UK 3 Return BU	0,93	0,809	0,759	0,726
651-1923034		D-UK 5-TWIN		Gray	End Cover for UK 3/5 TWIN	0,98	0,87	0,838	0,765
651-1923050		D-UK 5-TWIN BU		Blue	End Cover UK 3/5 TWIN BU	1,05	0,908	0,842	0,808
651-3003224		ATP-UK		Gray	Partition Plate	1,01	0,908	0,818	0,784
651-3008096		TP-UK 35		Gray	Separating Plate	1,19	1,07	1,02	0,92
Fully Insulated Divisible Insertion Bridges									
651-2303145		EBL 2-5		Red	2-Position for UK2.5/3 N	0,47	0,42	0,399	0,366
651-0201155		EB 2-6		Red	2-Position for UK5 N	0,80	0,72	0,69	0,627
651-0202154		EB 2-8		Red	2-Position for UK6 N	0,98	0,87	0,838	0,765
651-0203153		EB 2-10		Red	2-Position for UK10 N	1,31	1,17	1,12	1,02
651-2303158		EBL 3-5		Red	3-Position for UK2.5/3 N	0,74	0,66	0,635	0,578
651-0201142		EB 3-6		Red	3-Position for UK5 N	1,19	1,07	1,02	0,92
651-0202141		EB 3-8		Red	3-Position for UK6 N	1,44	1,29	1,23	1,12
651-0203328		EB 3-10		Red	3-Position for UK10 N	1,93	1,73	1,64	1,50
651-2303132		EBL 10-5		Red	10-Position for UK 2.5/3 N	2,34	2,10	2,00	1,82
651-0201139		EB 10-6		Red	10-Position for UK5 N	3,79	3,17	2,68	2,35
651-0202138		EB 10-8		Red	10-Position for UK6 N	4,64	4,16	3,77	3,60
651-0203137		EB 10-10		Red	10-Position for UK10 N	6,21	5,57	5,05	4,71
651-3006137		EB 10-12		Red	10-Position for UK16 N	6,80	6,10	5,79	5,27
651-0205135		EB 10-15		Red	10-Position for UK35 N	11,45	9,93	9,34	8,89
Fixed Bridge Bar with Insulated Screws									
651-3001624		FBRN 10-4 N		-	10-Position for UK 1.5 N	5,68	5,09	4,84	4,31
651-2770642		FBR1 10-5 N		-	10-Position for UK2.5/3 N	8,26	7,41	7,05	6,41
651-0203250		FBI 10-6		-	10-Position for UK5 N	6,52	5,84	5,26	4,94
651-0203263		FBI 10-8		-	10-Position for UK6 N	7,85	7,03	6,68	5,95
651-0203276		FBI 10-10		-	10-Position for UK10 N	10,17	9,12	8,32	7,90
651-0203454		FBI 10-12		-	10-Position for UK16 N	12,51	11,21	10,20	9,72
651-0201333		FBI 2-15		-	2-Position for UK35 N	4,58	4,10	3,76	3,55
651-0201278		FBI 3-15		-	3-Position for UK35 N	6,31	5,66	5,16	4,90



Terminal Blocks

PHOENIX CONTACT DIN Rail Terminal Blocks



MT MICRO MINIATURE DIN RAIL TERMINAL BLOCKS

Micro DIN rail terminal block for NS 15 DIN Rail. Screw clamp connections.

• RoHS compliant per Phoenix documentation



For quantities greater than listed, call for quote.

MOUSER STOCK NO.		Fig.	Phoenix Type	Color	AWG	Voltage Rating	Current Rating	Dimensions (mm)			Price Each			
Mfr.	Mfr. Part No.							H	L	W	1	10	50	100
MT Micro Miniature Feed-Thru DIN Rail Terminal Blocks														
651-3100305		A	MT 1.5	Gray	30-14	300	15A	23.5	22.0	4.2	1,72	1,54	1,47	1,34
651-3003363		A	MT 1.5 BU	Blue	30-14	300	15A	23.5	22.0	4.2	1,72	1,53	1,46	1,33
651-3001679		B	MT 1.5 QUATTRO	Gray	30-14	300	15A	30.0	33.5	4.2	3,42	3,07	2,78	2,52
651-3001682		C	MT 1.5 TWIN	Gray	30-14	300	15A	30.0	28.0	4.2	3,03	2,69	2,57	2,35
651-3025532		C	MT 1.5 TWIN BU	Blue	30-14	300	15A	30.0	28.0	4.2	2,92	2,62	2,49	2,27
651-1414129		D	MTTB 1.5	Gray	30-14	300	15A	41.0	44.0	4.2	4,25	3,89	3,70	3,32
MT Micro Miniature Ground DIN Rail Terminal Blocks														
651-3100318		-	MT 1.5 PE	Gr/Yel	30-14	-	-	23.5	22.0	4.2	5,35	4,80	4,55	4,16
651-3001695		-	MT 1.5 QUATTRO PE	Gr/Yel	30-14	-	-	30.0	28.0	4.2	7,87	7,06	6,72	6,11
651-3001705		-	MT 1.5 TWIN PE	Gr/Yel	30-14	-	-	30.0	33.5	4.2	7,06	6,34	6,01	5,49

Accessories

MOUSER STOCK NO.		Phoenix Type	Color	Description	Price Each			
Mfr.	Mfr. Part No.				1	10	50	100
651-3100321		D-MT 1.5	Gray	End Cover for MT 1.5	0,53	0,469	0,435	0,401
651-3025529		D-MT 1.5 BU	Blue	End Cover for MT 1.5 BU	0,53	0,469	0,435	0,401
651-3002982		D-MT 1.5 QUATTRO	Gray	End Cover for MT 1.5 QUATTRO	0,92	0,814	0,771	0,703
651-3002979		D-MT 1.5 TWIN	Gray	End Cover for MT 1.5 TWIN	0,87	0,78	0,759	0,697
651-3025545		D-MT 1.5 TWIN BU	Blue	End Cover for MT 1.5 TWIN BU	0,87	0,78	0,738	0,677
651-3002678		DG-MTTB 1.5	Gray	Spacer Cover for MTTTB 1.5	1,01	0,899	0,858	0,776
651-3002665		D-MTTB 1.5	Gray	End Cover for MTTTB 1.5	0,84	0,748	0,714	0,645
651-3002681		DP-MTTB 1.5	Gray	Spacer Plate for MTTTB 1.5	0,93	0,833	0,788	0,719

MBK MINIATURE DIN RAIL TERMINAL BLOCKS

• RoHS compliant per Phoenix documentation

The "larger" miniature terminal block for NS 15 DIN rail. Screw clamp connections.



For quantities greater than listed, call for quote.

MOUSER STOCK NO.		Fig.	Phoenix Type	Color	AWG	Voltage Rating	Current Rating	Dimensions (mm)			Price Each			
Mfr.	Mfr. Part No.							H	L	W	1	10	50	100
MBK Miniature Feed-Thru DIN Rail Terminal Blocks														
651-1413036		E	MBK 3/E Z	Gray	28-12	600	20A	32.0	28.0	5.2	1,72	1,52	1,44	1,30
651-1402940		F	MBK 5/E Z	Gray	26-10	600	30A	32.0	28.0	6.2	2,00	1,80	1,70	1,56
651-1414064		G	MBKKB 2.5	Gray	30-12	300	20A	48.0	62.0	5.2	3,94	3,74	3,54	3,19
MBK Miniature Ground DIN Rail Terminal Blocks														
651-1413117		-	MBK 3/E Z PE	Gr/Yel	28-12	-	-	31.5	28.0	5.2	4,81	4,31	4,11	3,74
651-0452043		-	MBK 5/E Z PE	Gr/Yel	26-10	-	-	32.0	28.0	5.2	5,19	4,66	4,32	4,03

Accessories

MOUSER STOCK NO.		Phoenix Type	Color	Description	Price Each			
Mfr.	Mfr. Part No.				1	10	50	100
651-1413227		ATP-MBK	Gray	Partition Plate	0,99	0,88	0,847	0,765
651-1415021		DMBK/E	Gray	End Cover for 3 & 5/ E Z	0,64	0,568	0,542	0,49
651-1401158		EB 2-5 N	Red	2 Pos. Insertion Bridge	0,56	0,51	0,48	0,44
651-1401145		EB 3-5 N	Red	3 Pos. Insertion Bridge	0,84	0,75	0,716	0,651
651-1401132		EB 10-5 N	Red	10 Pos. Insertion Bridge	2,58	2,49	2,20	2,00
651-1413052		D-MBKKB 2.5	Gray	End Cover	0,76	0,68	0,65	0,594
651-1413065		DP-MBKKB 2.5	Gray	Spacer Plate	0,72	0,642	0,608	0,556

OTTA BOLT CONNECTION DIN RAIL TERMINAL BLOCKS

Bolt connection terminal blocks for ring lug terminals. Unique hinged cover wings which hold the terminal nuts. For quantities greater than listed, call for quote.

MOUSER STOCK NO.		Fig.	Phoenix Type	Color	Ring Lug Size	Voltage Rating	Current Rating	Dimensions (mm)			Price Each			
Mfr.	Mfr. Part No.							H	L	W	1	10	50	100
OTTA Bolt Connection Feed-Thru DIN Rail Terminal Blocks														
651-0790530		H	OTTA 2.5	Gray	M3	600	20A	45.5	43.5	9.0	5,35	4,83	4,25	4,17
651-0790433		I	OTTA 6	Gray	M4	600	30A	52.0	43.5	9.0	4,51	3,80	3,57	3,51
651-0790462		J	OTTA 6-T-P/P	Gray	M4	600	30A	52.0	69.0	11.0	10,91	9,23	8,67	8,52
OTTA Bolt Connection Ground DIN Rail Terminal Blocks														
651-0790556		-	OTTA 2.5 PE	Gr/Yel	M3	-	-	45.5	43.5	9.0	11,45	9,69	9,09	8,93
651-0790527		-	OTTA 6 PE	Gr/Yel	M4	-	-	52.0	43.5	11.0	12,32	11,62	10,07	9,87

*: Includes 4mm female test connector

End Covers

MOUSER STOCK NO.		Phoenix Type	Color	Description	Price Each			
Mfr.	Mfr. Part No.				1	10	50	100
651-0790569		D-OTTA 2.5	Gray	End Cover for OTTA 2.5	1,05	0,94	0,89	0,814
651-0790417		D-OTTA 6	Gray	End Cover for OTTA 6	0,98	0,87	0,838	0,765
651-0790459		D-OTTA 6-T	Gray	End Cover for OTTA 6-T	0,98	0,87	0,83	0,765

MTK KNIFE DISCONNECT DIN RAIL TERMINAL BLOCKS

*** Feed-through terminal block without knife disconnect.

• RoHS Compliant per Phoenix documentation.

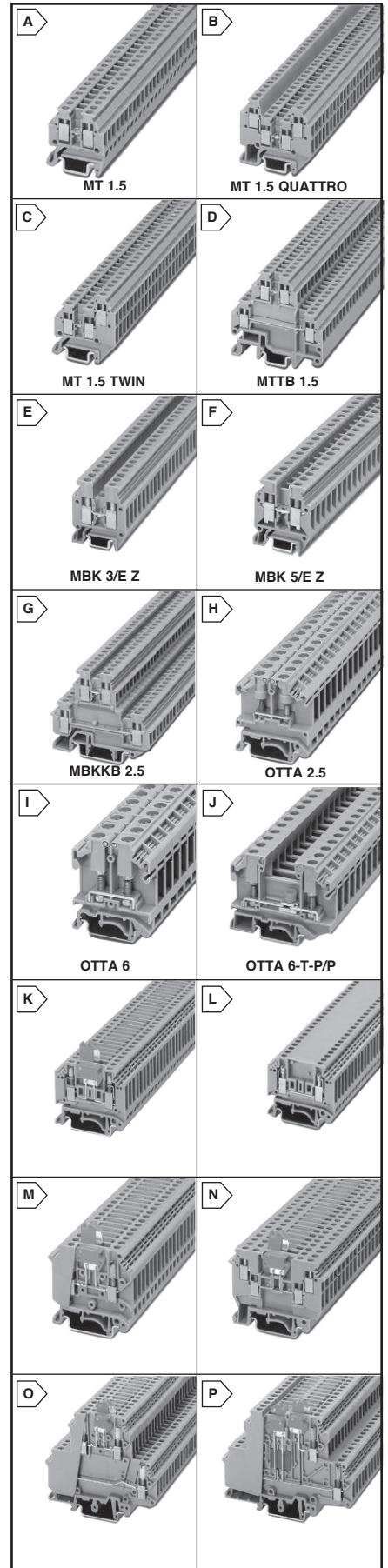


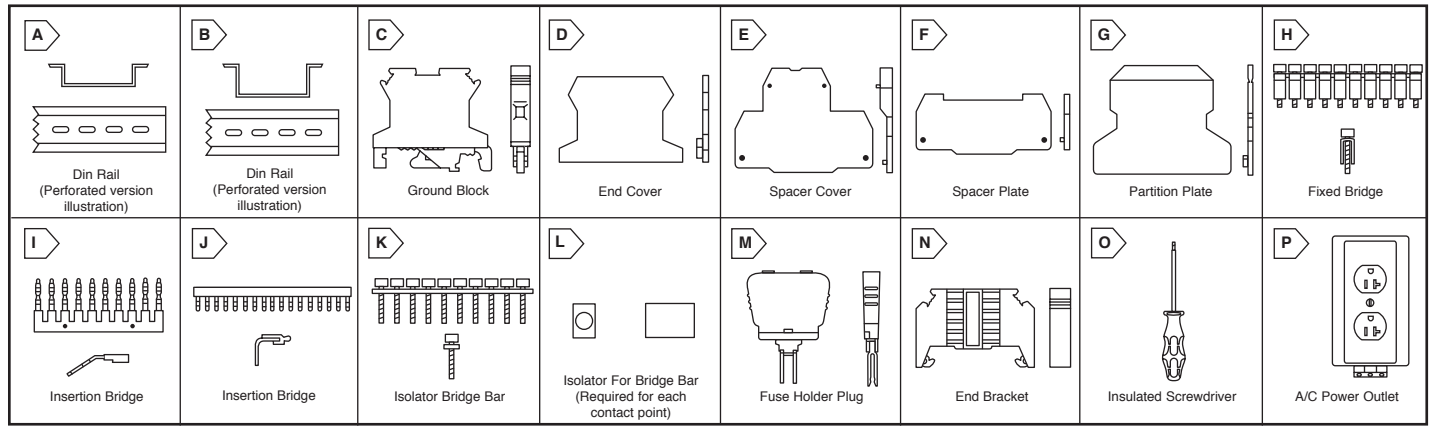
For quantities greater than listed, call for quote.

MOUSER STOCK NO.		Fig.	Phoenix Type	Color	AWG	Voltage Rating	Current Rating	Dimensions (mm)			Price Each			
Mfr.	Mfr. Part No.							H	L	W	1	10	50	100
651-3101016		K	MTK	Gray	28-12	300	10A	51.5	46	5.2	5,08	4,70	4,66	4,24
651-3104013		K	MTK-P/P	Gray	28-12	300	10A	51.5	46	5.2	6,09	5,45	4,91	4,64
651-3100017		L	MTKDK	Gray	28-12	300	10A	51.5	46	5.2	2,95	2,87	2,85	2,65
651-3004032		M	UK 5-MTK-P/P	Gray	22-12	600	15A	58.5	51	6.2	6,79	6,09	5,53	5,21
651-2775210		N	UDK 4-MTK-P/P	Gray	22-10	600	10A	47	63.5	6.2	7,13	6,39	5,76	5,44
651-2800004		O	UKK 5-MTK-P/P	Gray	26-12	300	15A	68	80	6.2	10,61	9,51	9,05	8,23
651-3101087		P	UDMTK 5-P/P	Gray	26-12	300	15A	68.5	93	6.2	15,22	14,93	14,19	12,92

Accessories

MOUSER STOCK NO.		Phoenix Type	Color	Description	Price Each			
Mfr.	Mfr. Part No.				1	10	50	100
651-3101029		D-MTK	Gray	End Cover for MTK	0,80	0,72	0,69	0,627
651-3101223		ATS-MTK	Gray	Partition Plate for MTK	0,90	0,81	0,773	0,70
651-3004210		ATP-UK 5-MTK	Gray	Partition Plate for UK 5-MTK	1,05	0,932	0,891	0,809
651-2775113		D-UDK 4	Gray	End Cover for UDK 4-MTK	1,21	1,08	1,03	0,941
651-3100266		TP-UDMTK 5	Gray	Partition Plate for UDMTK 5	1,01	0,908	0,858	0,783





DIN RAIL TERMINAL BLOCK ACCESSORIES

DIN RAIL TERMINAL BLOCK ACCESSORIES

For quantities greater than listed, call for quote.

MOUSER STOCK NO. Mfr. Part No.	Fig.	Phoenix Type	Description	Price Each		
				1	10	50
651-5602099	A	NS 15	15mmx5.5mmx1m DIN Rail Perf.	7,80	7,14	6,61
651-5602100	A	NS 35/7.5	35mmx7.5mmx1m DIN Rail Perf.	8,84	8,11	7,50
651-5603400	A	NS 35/7.5	35mmx7.5mmx1m DIN Rail Unperf.	9,30	8,54	7,87
* 651-0801733	A	NS 35/7.5	35mmx7.5mmx2m DIN Rail Perf.	10,01	8,79	7,65
651-5603401	B	NS 35/15	35mmx15mmx1m DIN Rail Perf.	14,36	13,16	12,17
* 651-5604188	-	NS 35/58 AL	35mmx58mmx2m DIN Rail Perf.	13,00	11,80	11,01
651-3100318	C	MT 1.5 PE	4.2mm Ground Block (30-14 AWG)	5,35	4,80	4,55
651-1413117	C	MBK 3/E-Z-PE	5.2mm Ground Block (30-12 AWG)	4,81	4,31	4,11
651-0452043	C	MBK 5/E-Z-PE	6.2mm Ground Block (24-10 AWG)	5,19	4,66	4,32
651-3005853	C	USLKG 1.5 N	4.2mm Ground Block (30-14 AWG)	11,71	11,11	10,22
651-0441119	C	USLKG 2.5 N	5.2mm Ground Block (30-12 AWG)	6,00	5,38	4,88
651-0441504	C	USLKG 5	6.2mm Ground Block (26-10 AWG)	5,73	5,14	4,65
651-0442079	C	USLKG 6 N	8.2mm Ground Block (26-8 AWG)	6,45	5,78	5,24
651-3003923	C	USLKG 10 N	10.2mm Ground Block (24-6 AWG)	7,01	6,29	5,69
651-2774211	C	UKK 5-PE	6.2mm Ground Blk. (26-10 AWG) 2 Pos.	11,95	10,72	10,19
651-3100321	D	D-MT 1.5	End Cover	0,53	0,469	0,435
651-3002665	D	D-MTTB 1.5	End Cover	0,84	0,748	0,714
651-1415021	D	D-MBK/E	End Cover	0,64	0,568	0,542
651-3001022	D	D-UK 2.5	End Cover	0,86	0,765	0,687
651-3003020	D	D-UK 4/10	End Cover	0,88	0,781	0,738
651-2770024	D	D-UKK 3/5	End Cover	1,43	1,24	1,18
651-2770727	D	D-UDK RELG	End Cover	1,67	1,50	1,42
651-3002678	E	DG-MBK/E 1.5	Spacer Cover	1,01	0,899	0,858
651-2770817	E	DG-UKK 3/5	Spacer Cover	1,51	1,34	1,28
651-3002681	F	DP-MTTB 1.5	Spacer Plate	0,93	0,833	0,788
651-2770794	F	DP-UKK 3/5	Spacer Plate	0,97	0,866	0,821
651-3003224	G	ATP-UK	Partition Plate	1,01	0,908	0,818
651-1413285	G	ATP-DIKD 1.5	Partition Plate	1,51	1,34	1,28

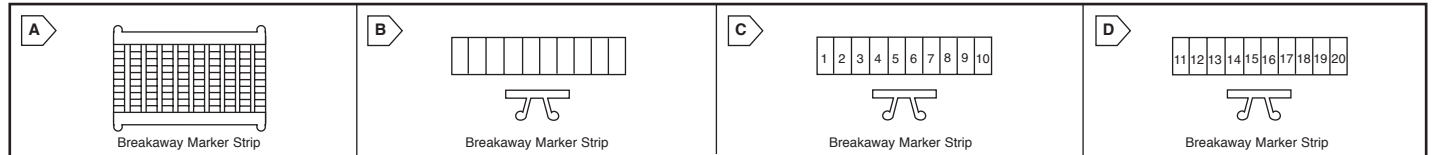
* 2 meter length, priced per meter

For quantities greater than listed, call for quote.

MOUSER STOCK NO. Mfr. Part No.	Fig.	Phoenix Type	Description	Price Each		
				1	10	50
651-1413272	G	ATP-DIK 1.5	Partition Plate	1,40	1,16	1,11
651-3001624	H	FBRN 10-4 N	10 Position Fixed Bridge Divisible	5,68	5,09	4,84
651-2770642	H	FBRN 10-5 N	10 Position Fixed Bridge Divisible	8,26	7,41	7,05
651-0203250	H	FBI 10-6	10 Position Fixed Bridge Divisible	6,52	5,84	5,26
651-0203263	H	FBI 10-8	10 Position Fixed Bridge Divisible	7,85	7,03	6,68
651-0203276	H	FBI 10-10	10 Position Fixed Bridge Divisible	10,17	9,12	8,32
651-2772080	H	FBRN 10-8N	10 Position Fixed Bridge Divisible	8,52	7,48	6,99
651-2303132	I	EBL 10-5	10 Pos. Insertion Bridge Divisible	2,34	2,10	2,00
651-0201139	I	EB 10-6	10 Pos. Insertion Bridge Divisible	3,79	3,17	2,68
651-0202138	I	EB 10-8	10 Pos. Insertion Bridge Divisible	4,64	4,16	3,77
651-0203137	I	EB 10-10	10 Pos. Insertion Bridge Divisible	6,21	5,57	5,05
651-3118135	I	EBS 10-8	10 Pos. Insertion Bridge Divisible	4,46	4,00	3,56
651-2715940	J	EB 80-DIK BU	80 Pos. Insertion Bdg. (Middle) Div.	42,31	36,47	33,70
651-2715953	J	EB 80-DIK RD	80 Pos. Insertion Bdg. (Lower) Div.	42,31	36,47	33,70
651-3009299	J	EB 56-18	56 Pos. Insertion Bridge Divisible	50,00	47,13	43,54
651-0301505	K	ISSBI 10-6	10 Position Isolator Bridge Bar	5,21	4,68	4,46
651-1302338	L	IS-K 4	Isolator for Bridge Bar	0,47	0,43	0,404
651-0921011	M	ST-SI-UK4	Fuse Holder (5x20mm)	2,08	2,01	1,95
651-0921037	M	ST-SILED 24 UK4	Fuse Holder 30V Lamp (5x20mm)	10,01	9,38	8,95
651-1421659	M	ST-SILA 250-UK4	Fuse Holder 250V Lamp (5x20mm)	7,56	6,87	6,57
651-0800886	N	E/MK 1	End Bracket For NS 15 DIN Rail	0,84	0,748	0,714
651-1205037	N	E/NS 35 N	End Bracket For NS 35 DIN Rail	1,12	1,03	0,965
651-1205063	O	SZS 0.4x2.5	Screwdriver-Insulated Blade Shaft	11,20	10,77	10,28
651-1205056	O	SZS 0.6x3.5	Screwdriver-Insulated Blade Shaft	11,20	10,77	10,28
651-1205066	O	SZS 1.0x4.0	Screwdriver-Insulated Blade Shaft	16,50	15,49	14,85
651-5600525	P	EM-DUO 120/20	120 Outlet For NS 35 DIN Rail	26,69	22,56	21,27
651-1204384	-	Quick Wire Fox 6	Wire Strippers, AWG 30-10	60,55	-	-
651-2963860	-	SD-US/SC/LA/GY	Single Outlet, 125V, 15 A	17,90	16,53	15,51

Terminal Blocks

Phoenix Contact



MARKER STRIPS FOR DIN RAIL TERMINAL BLOCKS

For quantities greater than listed, call for quote.

MOUSER STOCK NO. Mfr. Part No.	Fig.	Phoenix Type	Description	Use With Terminal Block	Price Each		
					1	10	50
651-0803579	A	ZBFM 4/WH: UNPRINTED	Unprinted marker strip for up to 100 positions	MT 1.5, MTTB 1.5	8,15	7,31	6,95
651-0800734	A	ZBFM 8/WH: UNPRINTED	Unprinted marker strip for up to 50 positions	UKK 5 HESI	9,08	8,14	7,75
651-0800268	A	ZBFM 4/WH, LGS: 1-100	Preprinted marker strip from 1 to 100	MT 1.5, MTTB 1.5	12,06	11,06	10,21
651-0805001	B	ZB 4: UNPRINTED	Unprinted marker strip for up to 10 positions	UK 1.5 N	1,48	1,33	1,26
651-1050004	B	ZB 5: UNPRINTED	Unprinted marker strip for up to 10 positions	MBK 3/EZ, UK 2.5 N	0,80	0,718	0,681
651-1051003	B	ZB 6: UNPRINTED	Unprinted marker strip for up to 10 positions	MBK 5/EZ, UK 5 N, UKK 5, SLKK 5, DIKD 1.5-TG, DIK 1.5, DIKD1.5, UK 4-TG, UDK 4-TG, UKK 5-TG, UT 4	0,84	0,751	0,715
651-1052002	B	ZB 8: UNPRINTED	Unprinted marker strip for up to 10 positions	UK 6 N, UK 5 HESI, UK 5 HESILED 24, UK 5 HESILA 250	0,93	0,788	0,689
651-1053001	B	ZB 10: UNPRINTED	Unprinted marker strip for up to 10 positions	UK 10 N, UK 6.3 HESI, UK 10.3 HESI, UK 6.3 HESILED 24, UK 6.3 HESILA 250	1,40	1,26	1,20
651-0805807:0001	C	ZB 4: QR: 1-10	Preprinted marker strip from 1 to 10	UK 1.5 N	2,09	1,87	1,77
651-1050017:0001	C	ZB 5, LGS: 1-10	Preprinted marker strip from 1 to 10	MBK 3/EZ, UK 2.5 N	1,26	1,13	1,08
651-1051016:0001	C	ZB 6, LGS: 1-10	Preprinted marker strip from 1 to 10	MBK 5/EZ, UK 5 N, UKK 5, SLKK 5, DIKD 1.5-TG, DIK 1.5, DIKD1.5, UK 4-TG, UDK 4-TG, UKK 5-TG, UT 4	1,26	1,13	1,08
651-1052015:0001	C	ZB 8, LGS: 1-10	Preprinted marker strip from 1 to 10	UK 6 N, UK 5 HESI, UK 5 HESILED 24, UK 5 HESILA 250	1,70	1,58	1,52
651-1053014:0001	C	ZB 10, LGS: 1-10	Preprinted marker strip from 1 to 10	UK 10 N, UK 6.3 HESI, UK 10.3 HESI, UK 6.3 HESILED 24, UK 6.3 HESILA 250	1,96	1,76	1,67
651-0805807:0011	D	ZB 4: QR: 11-20	Preprinted marker strip from 11 to 20	UK 1.5 N	2,09	1,87	1,77
651-1050017:0011	D	ZB 5, LGS: 11-20	Preprinted marker strip from 11 to 20	MBK 3/EZ, UK 2.5 N	1,26	1,13	1,08
651-1051016:0011	D	ZB 6, LGS: 11-20	Preprinted marker strip from 11 to 20	MBK 5/EZ, UK 5 N, UKK 5, SLKK 5, DIKD 1.5-TG, DIK 1.5, DIKD1.5, UK 4-TG, UDK 4-TG, UKK 5-TG, UT 4	1,26	1,13	1,08
651-1052015:0011	D	ZB 8, LGS: 11-20	Preprinted marker strip from 11 to 20	UK 6 N, UK 5 HESI, UK 5 HESILED 24, UK 5 HESILA 250	1,70	1,58	1,52
651-1053014:0011	D	ZB 10, LGS: 11-20	Preprinted marker strip from 11 to 20	UK 10 N, UK 6.3 HESI, UK 10.3 HESI, UK 6.3 HESILED 24, UK 6.3 HESILA 250	1,84	1,63	1,49
651-1051993	-	M-PEN	Black Marking Pen	(Use with all unprinted marking strips)	15,06	13,51	12,85